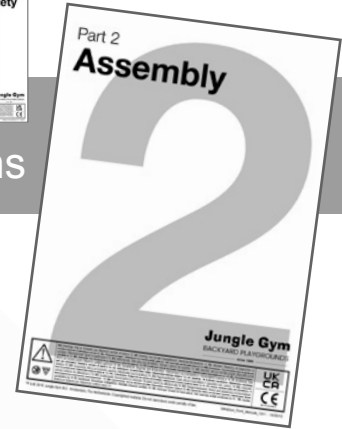


Part 2

Assembly

Instructions

Config ID: v14hcc
 Product Name: Skyline 2-Swing
 Product ID: 211542








Watch in 3D



Jungle Gym

BACKYARD PLAYGROUNDS

since 1988

| | | |
|--|--|--|
| <p>Assembly time 12.0 hours by 2 adults</p>  |  <p>EN. Warnings. Only for domestic use. Maximum number of users is 4. DE. Achtung. Nur für den Hausgebrauch. Maximale Benutzerzahl: 4. FR. Attention. Réserve à un usage familial. Le nombre maximal d'utilisateurs est de 4. NL. Waarschuwingen. Uitsluitend voor huishoudelijk gebruik. Het maximale aantal gebruikers is 4. BG. Внимание. За употреба само в домашни условия. Максималният брой потребители е 4. CS. Varování. Jen pro domácí použití. Maximální počet uživatelů je 4. DA. Advarsler. Kun til privat brug. Maksimum antal brugere er 4. EL. Προειδοποιήσεις. Μόνο για οικιακή χρήση. Μέγιστος αριθμός χρηστών 4. ES. Advertencias. Sólo para uso doméstico. Número máximo de usuarios: 4. ET. Hoiatused. Ainult koduseks kasutamiseks. Maksimaalne kasutajate arv on 4. FI. Varoitukset. Ainoastaan kotikäyttöön. Käyttäjää yhteensä enintään 4. HR. Upozorenja. Samo za kućansku uporabu. Maksimalan broj korisnika je 4. HU. Figyelmeztetések. Csak otthoni használatra! A használók max. száma: 4. IS. Varnaðarorð. Eingöngu fyrir einkanothun í heimahúsum og á einkalóðum. Hámarksfjöldi notenda er 4. IT. Avvertenze. Solo per uso domestico. Massimo numero di utenti è 4. LT. Įspėjimai. Tik buitiniam naudojimui. Maksimalus naudotojų skaičius 4. LV. Brīdinājumi. Izmantot tikai mājās. Maksimālais lietotāju skaits ir 4. NO. Advarsler. Kun for privat bruk. Maksimalt antall brukere er 4. PL. Ostrzeżenia. Wyłącznie do użytku domowego. Maksymalna liczba użytkowników to 4. PT. Avisos. Apenas para uso doméstico. O número máximo de utilizadores é 4. RO. Avertismente. Numai pentru uz domestic. Numărul maxim de utilizatori este 4. RU. Предостережения. Только для домашнего использования. Максимальное количество пользователей - 4. SK. Upozornenia. Iba na domáce použitie. Maximálne množstvo osôb je 4. SL. Opozorila. Samo za domačo uporabo. Maksimalno število uporabnikov je 4. SR. Upozorenja. Samo za kućnu upotrebu. Maksimalan broj korisnika je 4. SV. Varningar. Endast för hemmabruk. Det maximala antalet användare är 4. TR. Uyarılar. Sadece ev kullanımı için. Maksimum kullanıcı sayısı 4.</p> |  <p>EN 71-1,2,3,6,8-9</p>   |
|--|--|--|

1 Helpdesk JungleGym

FAQ & Support



English



Deutsch



Français



Nederlands



info@junglegym.com



EU 0031 85 44 44 100

AT 0043 72 08 153 33

BE 0032 78 48 16 19

CH 0041 43 50 87 350

DE 0049 32 22 10 98 299

ES 0034 657 76 64 25

FR 0033 97 75 58 222

IE 0035 38 1800 0300

LU 0035 22 08 80 512

NL 0031 85 44 44 102

UK 0044 20 369 505 53

Monday-Friday,

CET 9:00am - 5:00pm

Local phone charges may apply.

2 Start

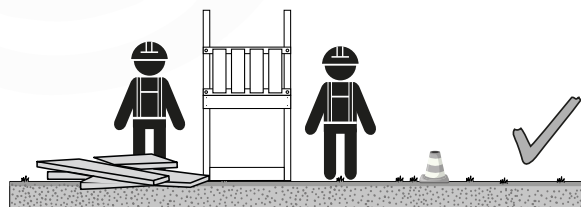
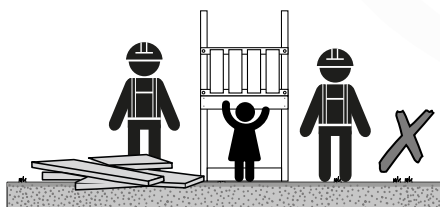
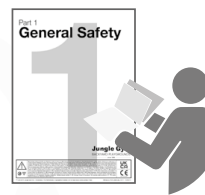
2.1 Safety



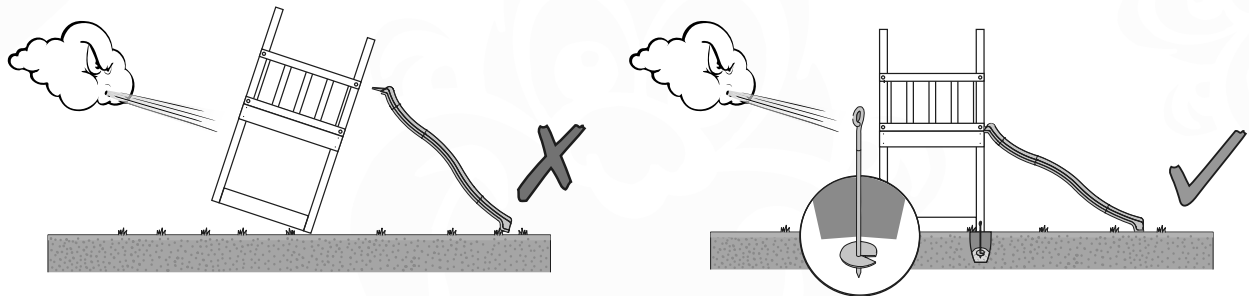
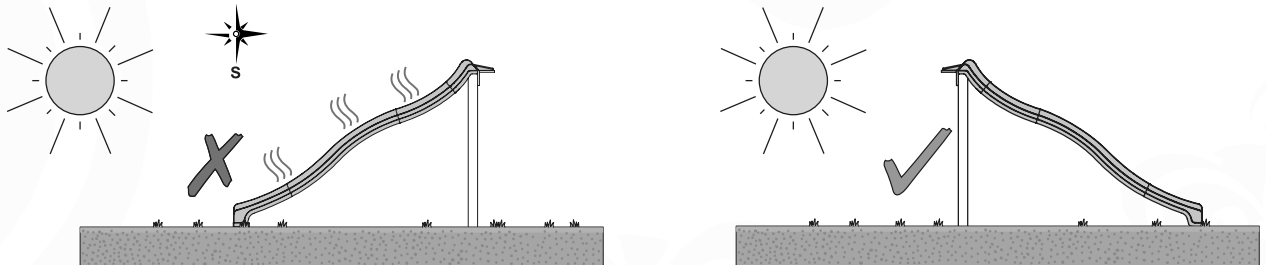
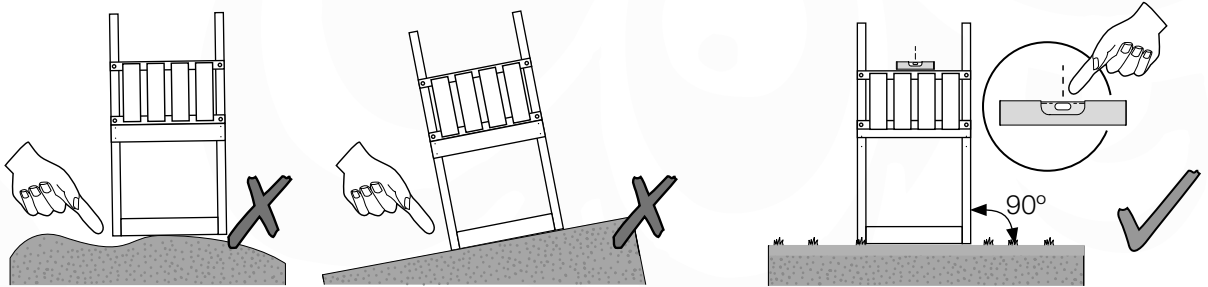
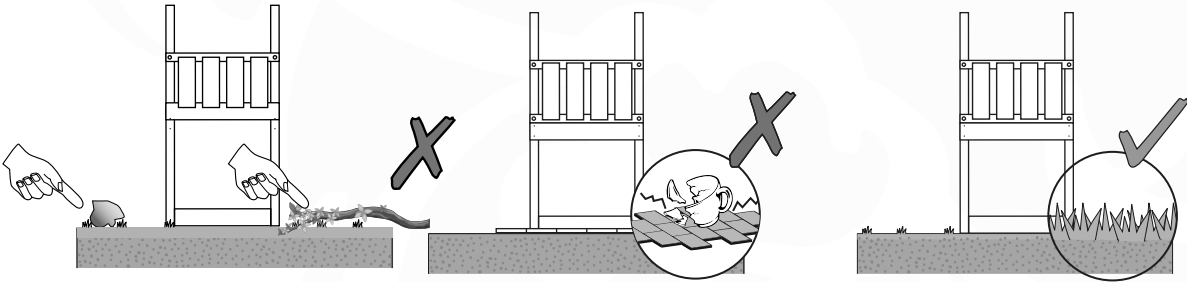
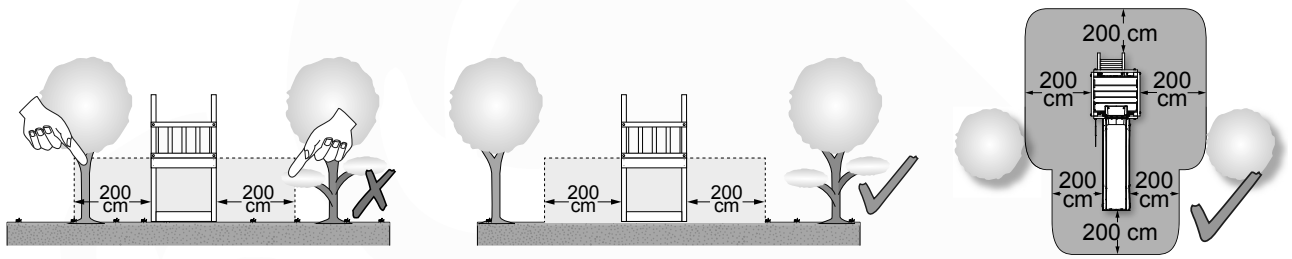
Download

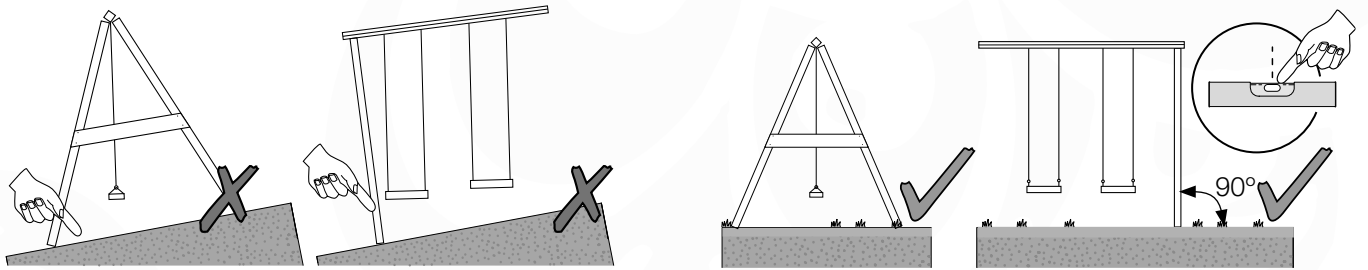
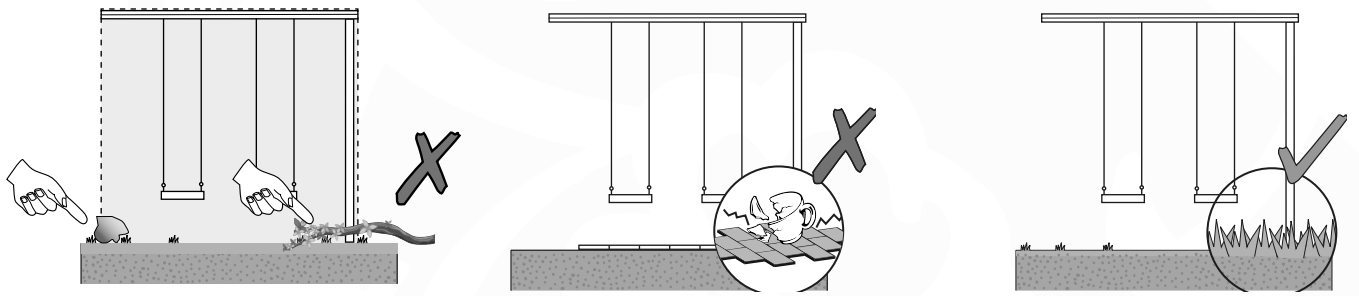
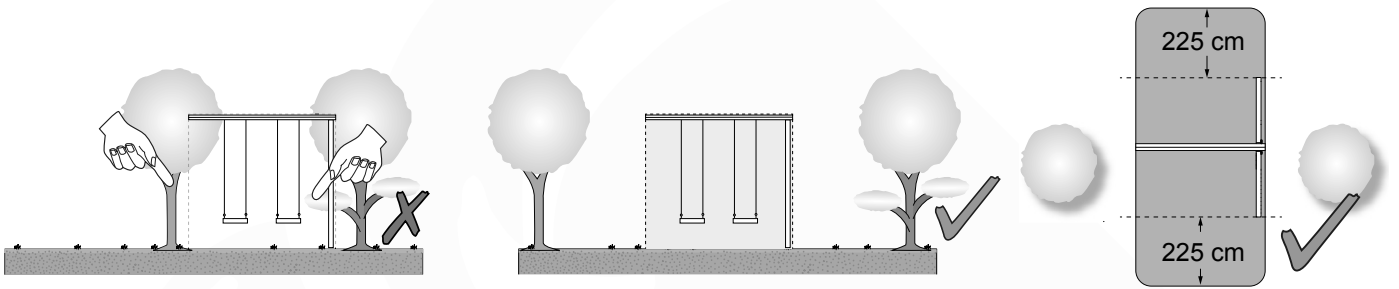


Part 1

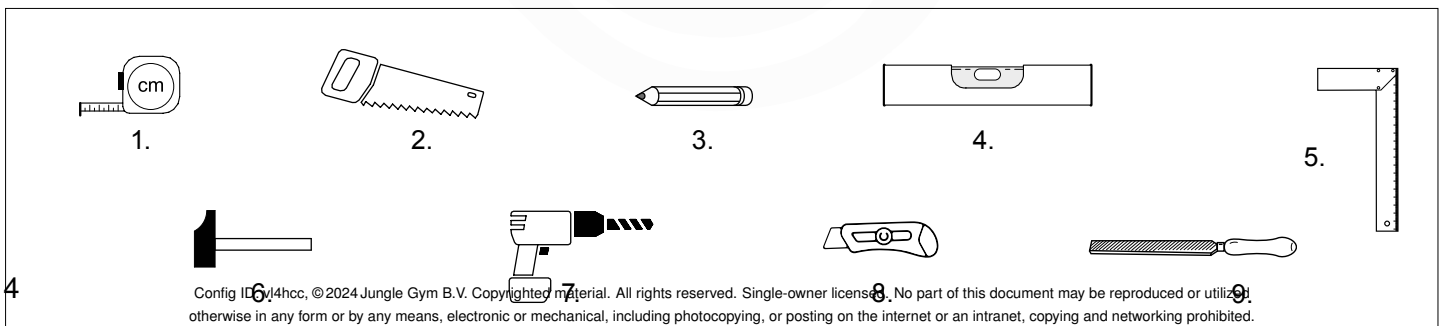


2.2 Planning

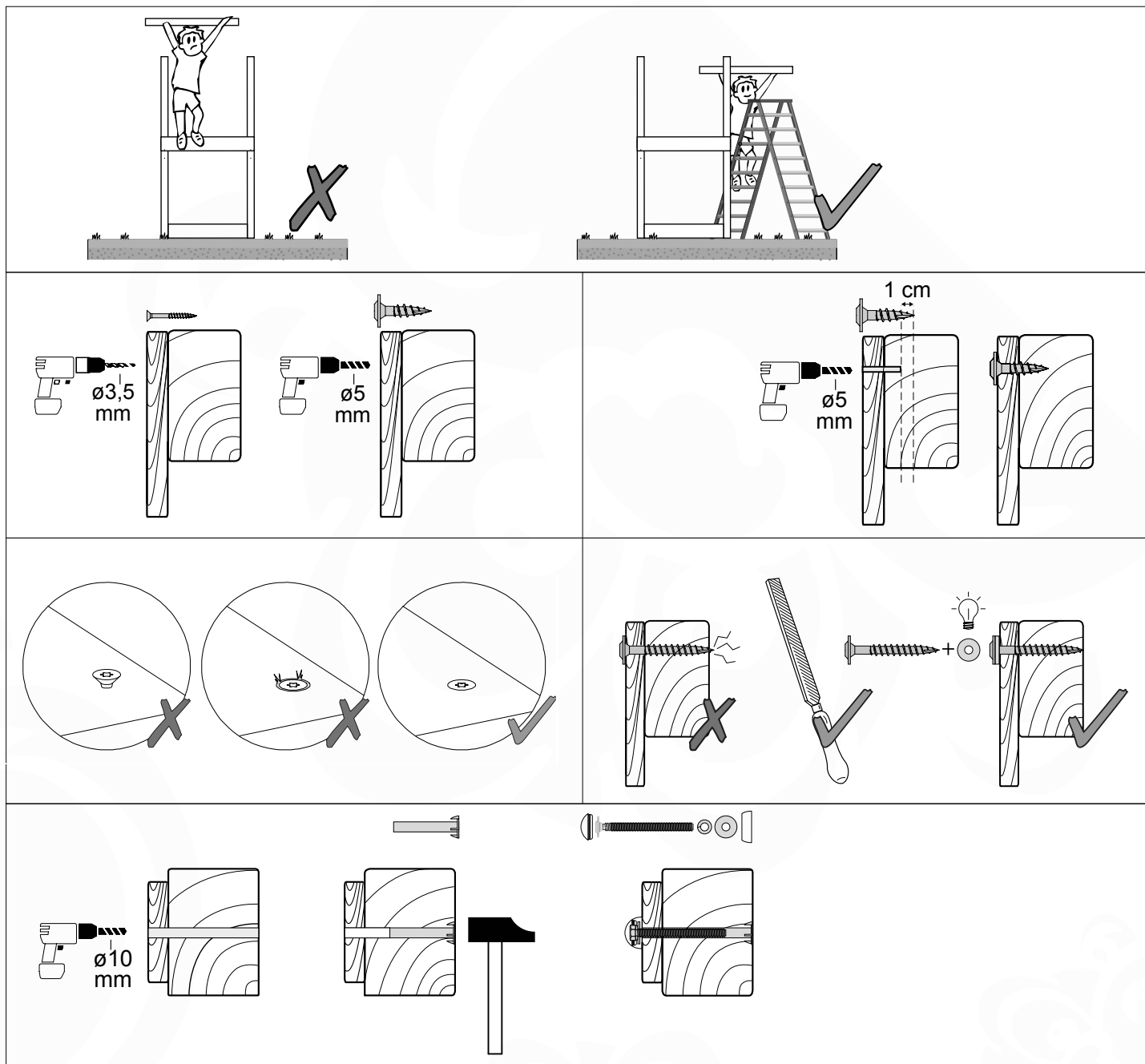




2.3 Tools



2.4 Assembly



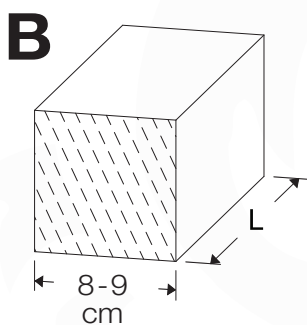
3 Overview

3.1 Order specification

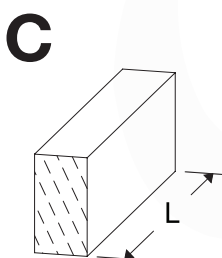


| # | Description | Supplier ID | Assembly ID |
|---|----------------------------------|-------------|-------------|
| 1 | Base Tower 140_270270_145 | 794_001 | BT20a |
| 1 | Extension Tower 14080_200_125 up | 794_105 | ET29a |
| 1 | Roof Timber Slope 140 | 794_203 | RF15a |
| 2 | Balustrade 140_T | 794_301 | BL06a |
| 1 | Balustrade 70/140_T L | 794_302 | BL09a |
| 2 | Balustrade 14080_U 9x9 | 790_301 | BL21a |
| 1 | Ladder 70/140_145 T R | 794_432 | LA26a |
| 1 | TwoStep Ladder 70/140_145 U R | 794_412 | TS18a |
| 1 | Picnic 140 T | 794_503 | PC10a |
| 1 | Slide Frame 70/140145 U L | 794_901 | SL26a |
| 1 | 2- Swing Module 220_Extra 3.0 | 750_183 | SW22a |
| 1 | Accessories Set | 194_119 | AC01a |
| 1 | Accessories Swing Seat | 250_034 | AC21a |
| 1 | Accessories Twist Disk | 250_053 | AC25a |
| 1 | Wavy Star Slide XXL | 334_x00a | 334_x00a |

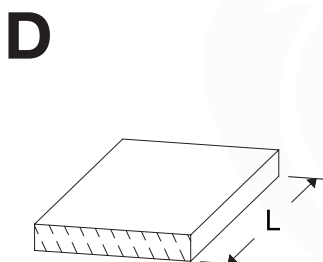
3.2 Timber parts



| | | |
|------|-----------------|---|
| B200 | 199 cm - 200 cm | 2 |
| B240 | 239 cm - 240 cm | 3 |
| B270 | 269 cm - 270 cm | 4 |



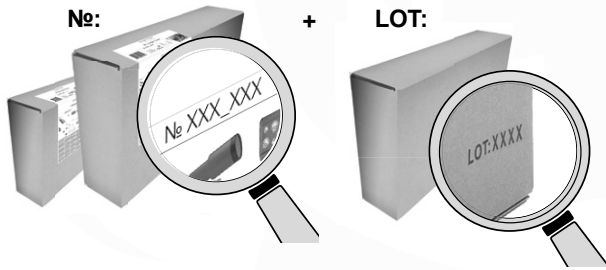
| | | |
|------|-----------------|----|
| C37 | 36 cm - 37 cm | 3 |
| C70 | 69 cm - 70 cm | 3 |
| C74 | 73 cm - 74 cm | 8 |
| C84 | 83 cm - 84 cm | 3 |
| C96 | 85 cm - 96 cm | 4 |
| C141 | 140 cm - 141 cm | 14 |
| C150 | 149 cm - 150 cm | 2 |
| C206 | 205 cm - 206 cm | 1 |



| | | |
|------|-----------------|----|
| D47 | 46 cm - 47 cm | 1 |
| D65 | 64 cm - 65 cm | 25 |
| D74 | 73 cm - 74 cm | 6 |
| D123 | 122 cm - 123 cm | 33 |
| D141 | 140 cm - 141 cm | 25 |
| D154 | 153 cm - 154 cm | 24 |

4 Product registration

4.1 Assembly kits



Example

№: X X X _ X X X LOT: X X X X

| | №: | LOT: |
|----|---------------|---------|
| 1. | ■ ■ ■ _ ■ ■ ■ | ■ ■ ■ ■ |
| 2. | ■ ■ ■ _ ■ ■ ■ | ■ ■ ■ ■ |
| 3. | ■ ■ ■ _ ■ ■ ■ | ■ ■ ■ ■ |
| 4. | ■ ■ ■ _ ■ ■ ■ | ■ ■ ■ ■ |
| 5. | ■ ■ ■ _ ■ ■ ■ | ■ ■ ■ ■ |

| | №: | LOT: |
|-----|---------------|---------|
| 6. | ■ ■ ■ _ ■ ■ ■ | ■ ■ ■ ■ |
| 7. | ■ ■ ■ _ ■ ■ ■ | ■ ■ ■ ■ |
| 8. | ■ ■ ■ _ ■ ■ ■ | ■ ■ ■ ■ |
| 9. | ■ ■ ■ _ ■ ■ ■ | ■ ■ ■ ■ |
| 10. | ■ ■ ■ _ ■ ■ ■ | ■ ■ ■ ■ |

4.2 Slide

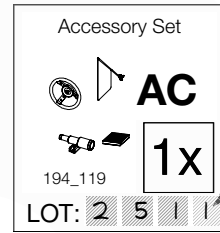


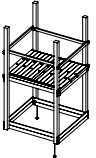

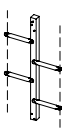

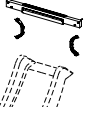






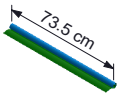



| |
|-------------|
| ■ ■ ■ ■ ■ ■ |
| ■ ■ ■ ■ ■ ■ |
| ■ ■ ■ ■ ■ ■ |

4.3 Assembly packs



Example



| | | | | |
|--|---|--|--|--|
| <p>Tower 140</p>  <p>BT ET</p> <p>194_500</p> <p>1x</p> <p>LOT: [][][][]</p> | <p>Hardware 01</p>  <p>BL H01</p> <p>194_101</p> <p>3x</p> <p>LOT: [][][][]</p> | <p>Two Step Ladder</p>  <p>TS</p> <p>194_002</p> <p>1x</p> <p>LOT: [][][][]</p> | <p>Window Hardware / Roof 140</p>  <p>RF PH</p> <p>194_508</p> <p>1x</p> <p>LOT: [][][][]</p> | <p>Slide Frame</p>  <p>SL</p> <p>194_107</p> <p>1x</p> <p>LOT: [][][][]</p> |
| <p>Accessory Set</p>  <p>AC</p> <p>194_119</p> <p>1x</p> <p>LOT: [][][][]</p> | <p>Swing Seat</p>  <p>AC</p> <p>250_034</p> <p>1x</p> <p>LOT: [][][][]</p> | <p>Swing Module Kit</p>  <p>SW</p> <p>457_103</p> <p>1x</p> <p>LOT: [][][][]</p> | <p>Ladder 145</p>  <p>LA</p> <p>194_004</p> <p>1x</p> <p>LOT: [][][][]</p> | <p>Twist Disk</p>  <p>AC</p> <p>250_053</p> <p>1x</p> <p>LOT: [][][][]</p> |
| <p>Hardware 10</p>  <p>H10</p> <p>194_810</p> <p>1x</p> <p>LOT: [][][][]</p> | <p>Canvas 136 x 74cm</p>  <p>123_220</p> <p>1x</p> <p>LOT: [][][][]</p> | <p>Slide XXL 2.6m</p>  <p>334_x00</p> <p>1x</p> <p>LOT: [][][][]</p> | <p>Balustrade 140</p>  <p>BL</p> <p>194_501</p> <p>2x</p> <p>LOT: [][][][]</p> | <p>Tower 115</p>  <p>BT ET</p> <p>194_300</p> <p>1x</p> <p>LOT: [][][][]</p> |

4.4 Your config ID: **vl4hcc**

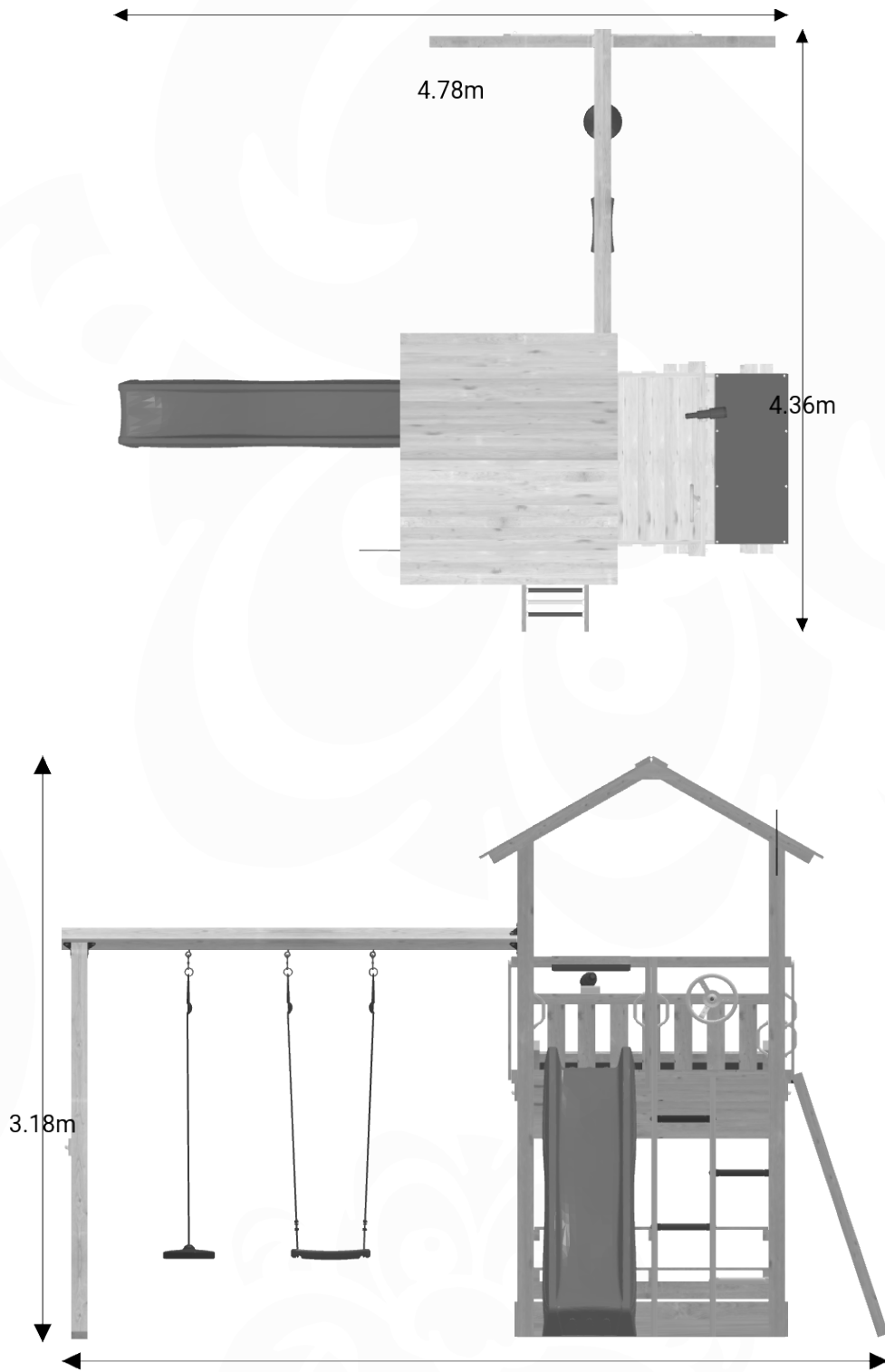


5 Hardware Identification

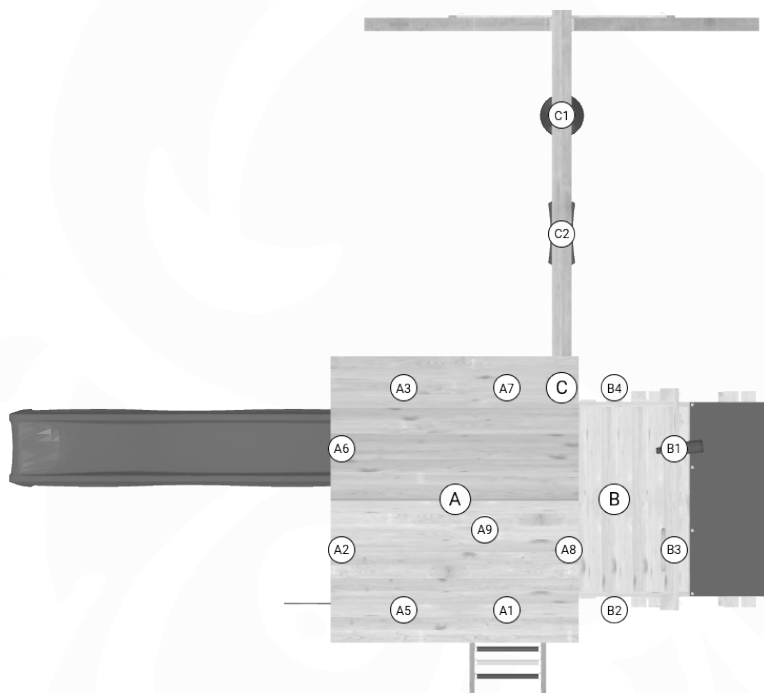
| | | SKU | | L | |
|----------|------|-----|--|---|--|
| | | | | | |
| | | | | | |
| | | | | | |
| | | | | | |
| | | | | | |
| | | | | | |
| | | | | | |
| | | | | | |
| | | | | | |
| | | | | | |
| | | | | | |
| | | | | | |
| | | | | | |
| | | | | | |
| | | | | | |
| | | | | | |
| | | | | | |

output: 27/06/24

6 Dimensions



7 Assembly Planning



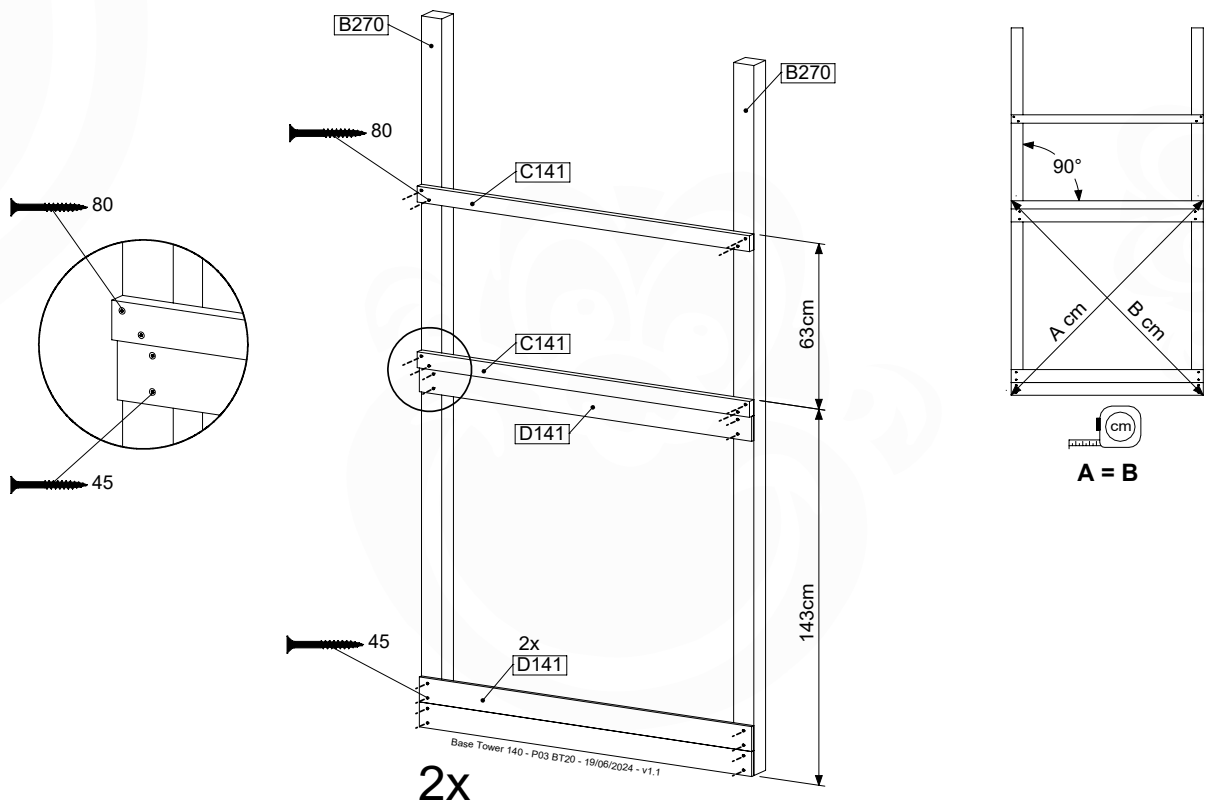
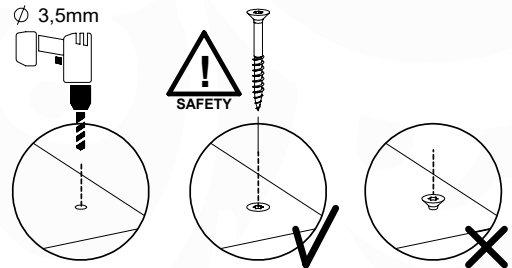
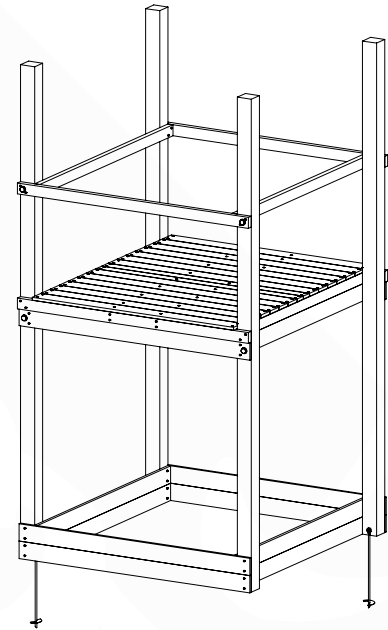
| | ID | | | A | B | C |
|----|-------|--|------|----|--------|---|
| 1 | BT20a | | p.13 | ✓ | - | - |
| 2 | ET29a | | p.16 | - | ✓ | - |
| 3 | BL06a | | p.19 | A3 | B3 | - |
| 4 | BL09a | | p.20 | A5 | - | - |
| 5 | BL21a | | p.21 | - | B2, B4 | - |
| 6 | RF15a | | p.22 | A9 | - | - |
| 7 | TS18a | | p.25 | A2 | - | - |
| 8 | PC10a | | p.27 | - | B1 | - |
| 9 | LA26a | | p.31 | A1 | - | - |
| 10 | SW22a | | p.34 | - | - | ✓ |
| 11 | SL26a | | p.42 | A6 | - | - |
| 12 | GA | | p.45 | ✓ | ✓ | ✓ |
| 13 | AC01a | | p.47 | ✓ | - | - |

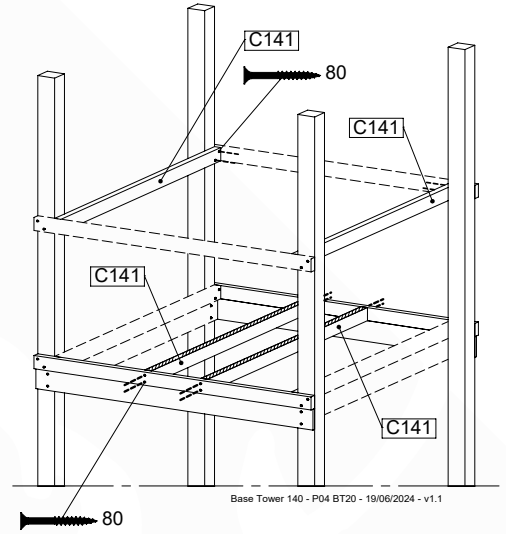
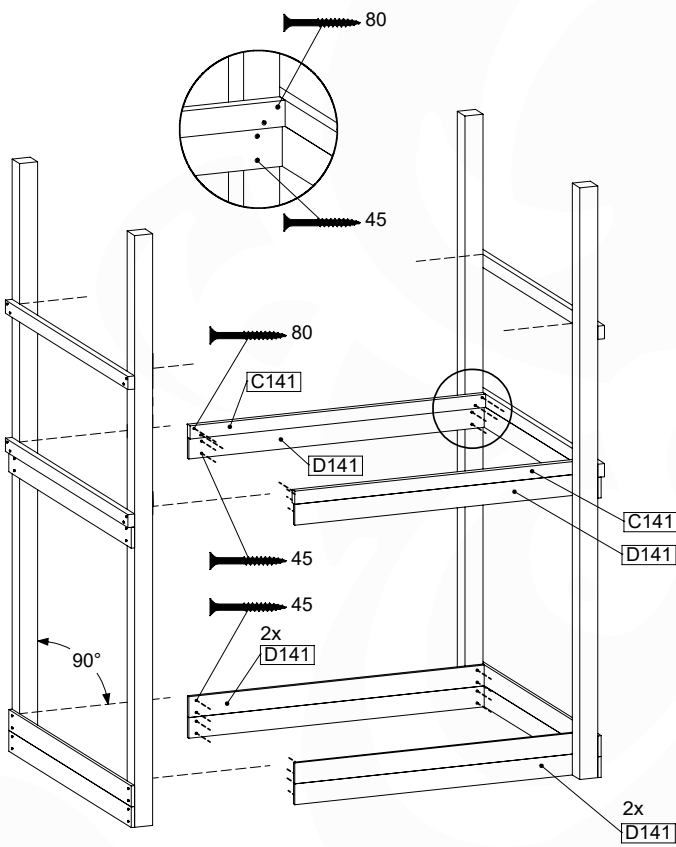
8 BT20a: Base Tower 140 145cm 270270

Assembly Pack: 194_500

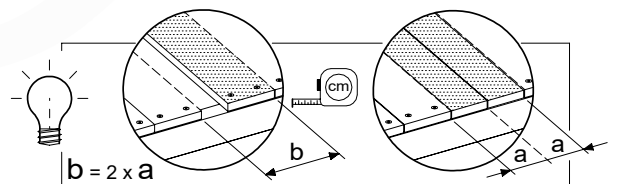
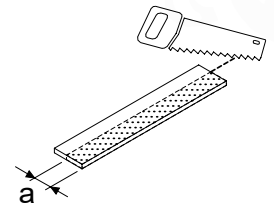
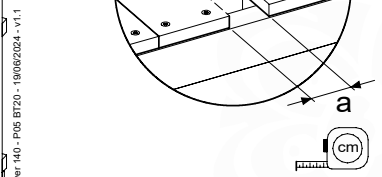
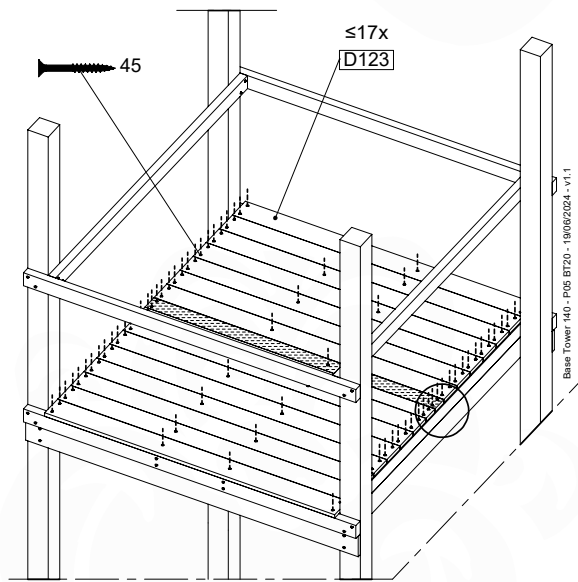
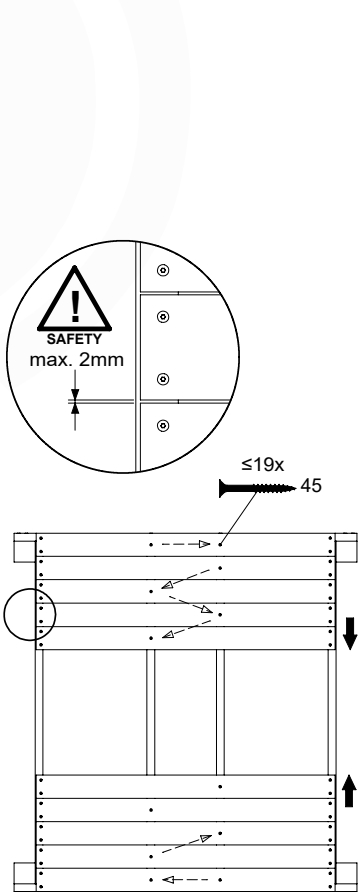
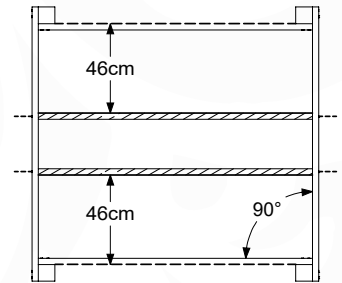
| | PartNo | PartName | QTY. |
|------------------|---------|----------------------------|------|
| Hardware + Parts | 001_406 | Stealth Screw 8x45 | 6 |
| | 001_417 | Stealth Screw 8x80 | 4 |
| | 002_220 | Gap Point Screw T25 - 5x45 | 135 |
| | 002_223 | Gap Point Screw T25 - 5x80 | 40 |
| | 007_001 | Ground-anchor | 2 |
| | 022_31x | bpc-base version 3 | 8 |
| | 022_84x | bpc cover | 8 |
| Timber | B270 | Post 90x90 L2700 | 4 |
| | C141 | Beam 1410 mm | 10 |
| | D123 | Board 1230 mm | 17 |
| | D141 | Board 1410 mm | 12 |

Base Tower 140 - P02 BT20 - 19/08/2024 - v1.1

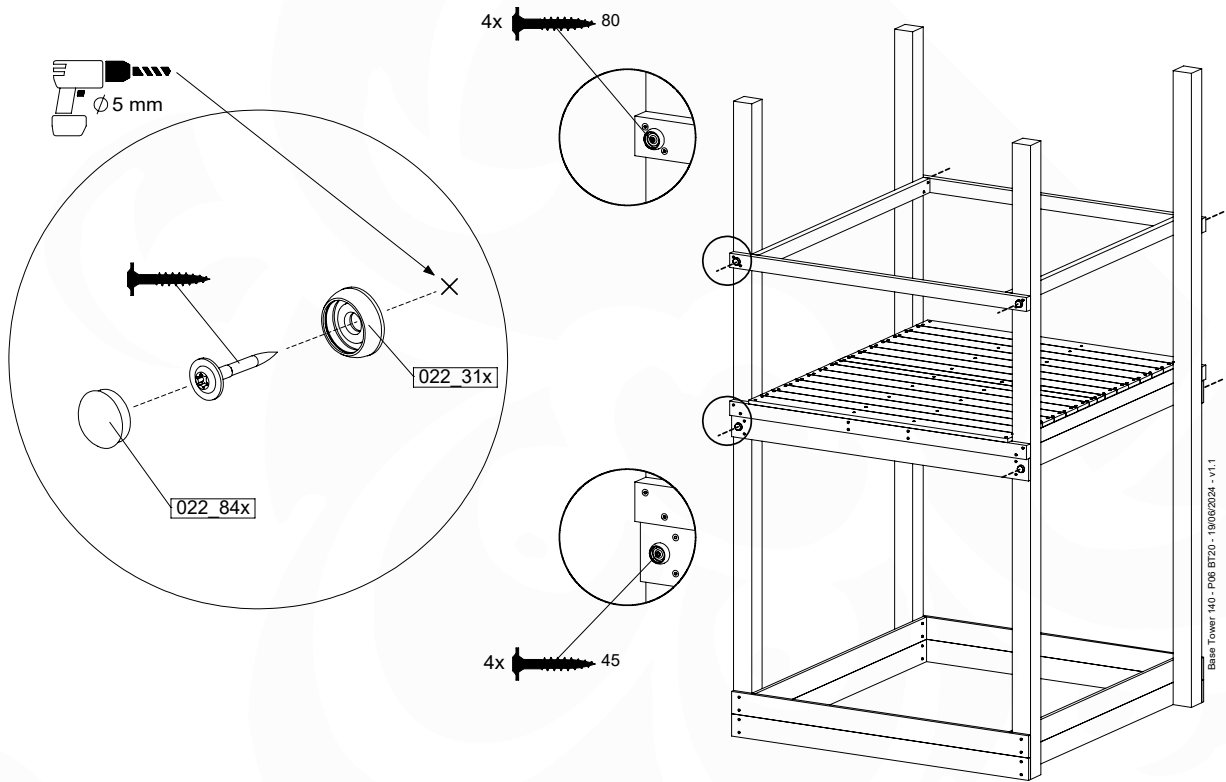




Base Tower 140 - P04 BT20 - 19/06/2024 - v1.1



8.2

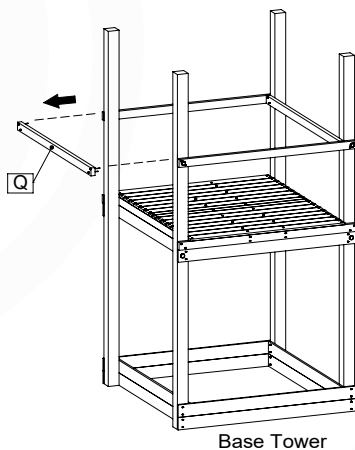
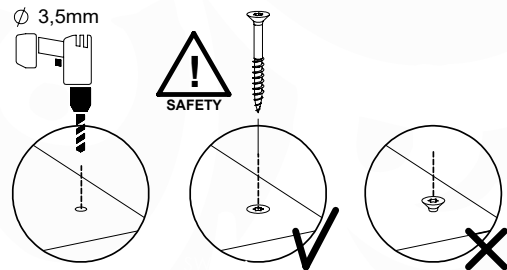
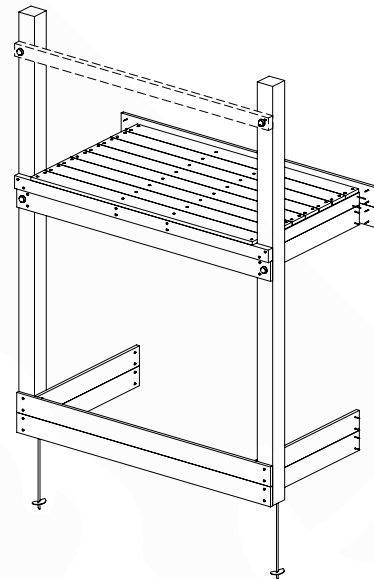


9 ET29a: Extension Tower 14080 200/125

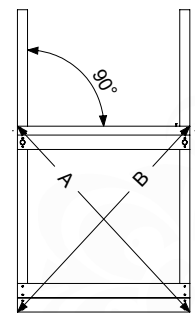
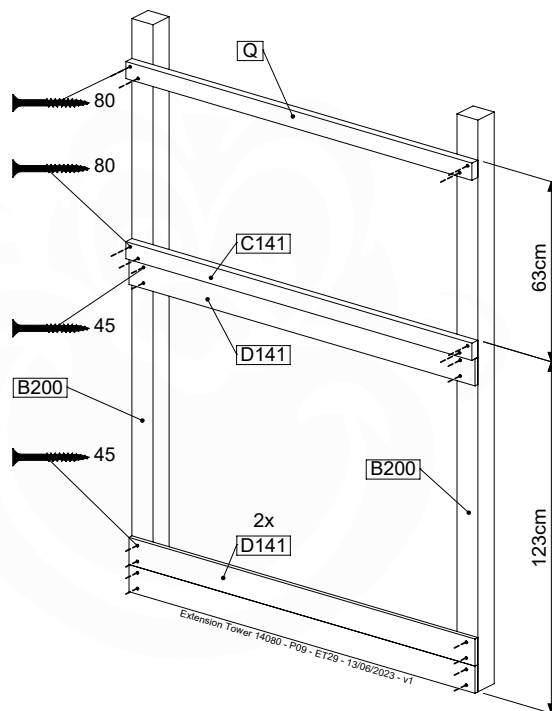
(194_300)

| | PartNo | PartName | QTY. |
|---------------|---------|----------------------------|------|
| Hardware pack | 001_406 | Stealth Screw 8x45 | 4 |
| | 001_417 | Stealth Screw 8x80 | 2 |
| | 002_220 | Gap Point Screw T25 - 5x45 | 102 |
| | 002_223 | Gap Point Screw T25 - 5x80 | 20 |
| Other | 007_001 | Ground-anchor | 2 |
| | 022_31x | bpc-base version 3 | 4 |
| | 022_84x | bpc cover | 4 |
| Timber | B200 | Post 90x90 L2000 | 2 |
| | C74 | Beam 740 mm | 4 |
| | C141 | Beam 1410 mm | 1 |
| | D74 | Board 740 mm | 6 |
| | D123 | Board 1230 mm | 9 |
| | D141 | Board 1410 mm | 6 |

Extension Tower 14080 - P09 - ET29 - 13/06/2023 - v1

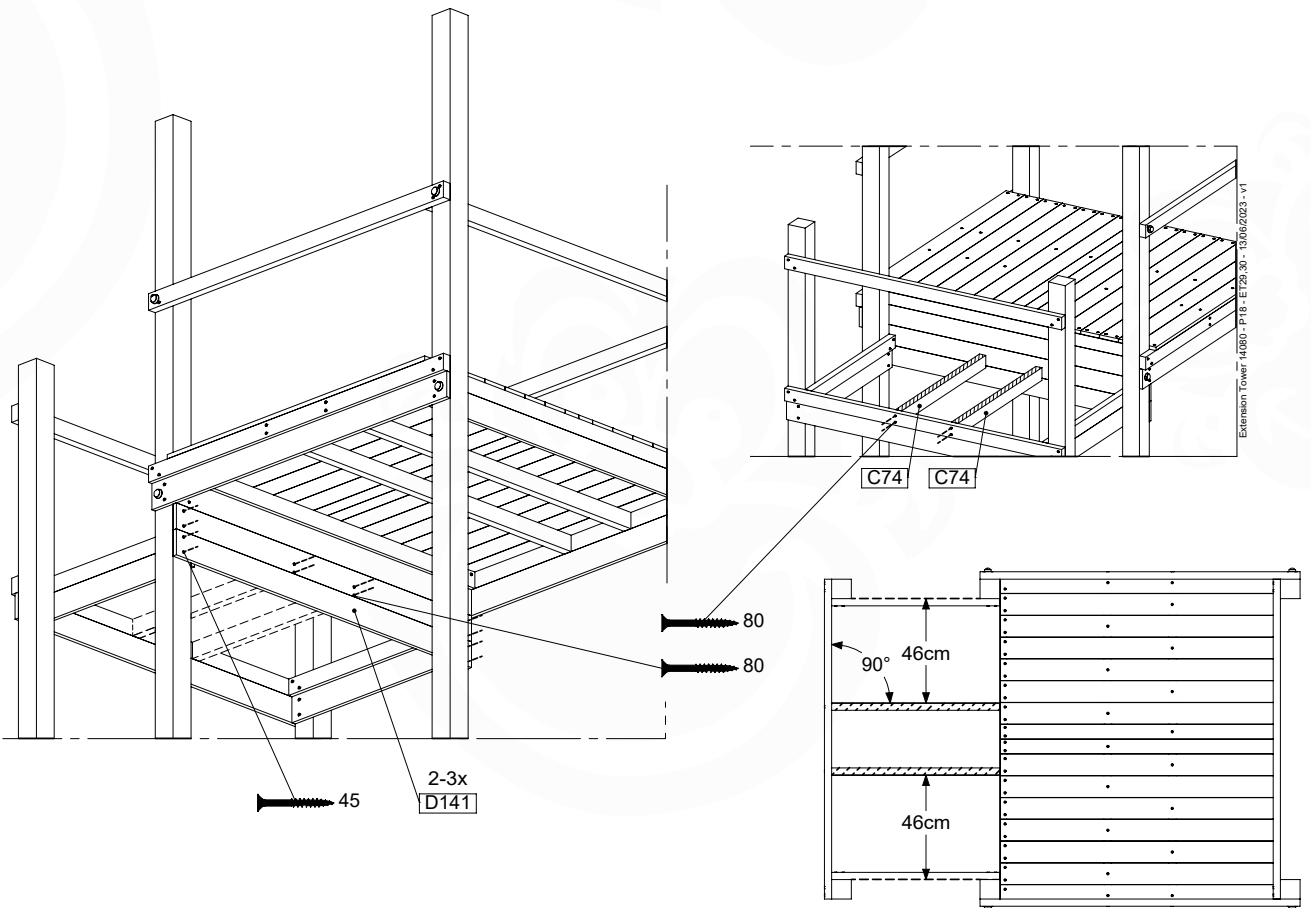
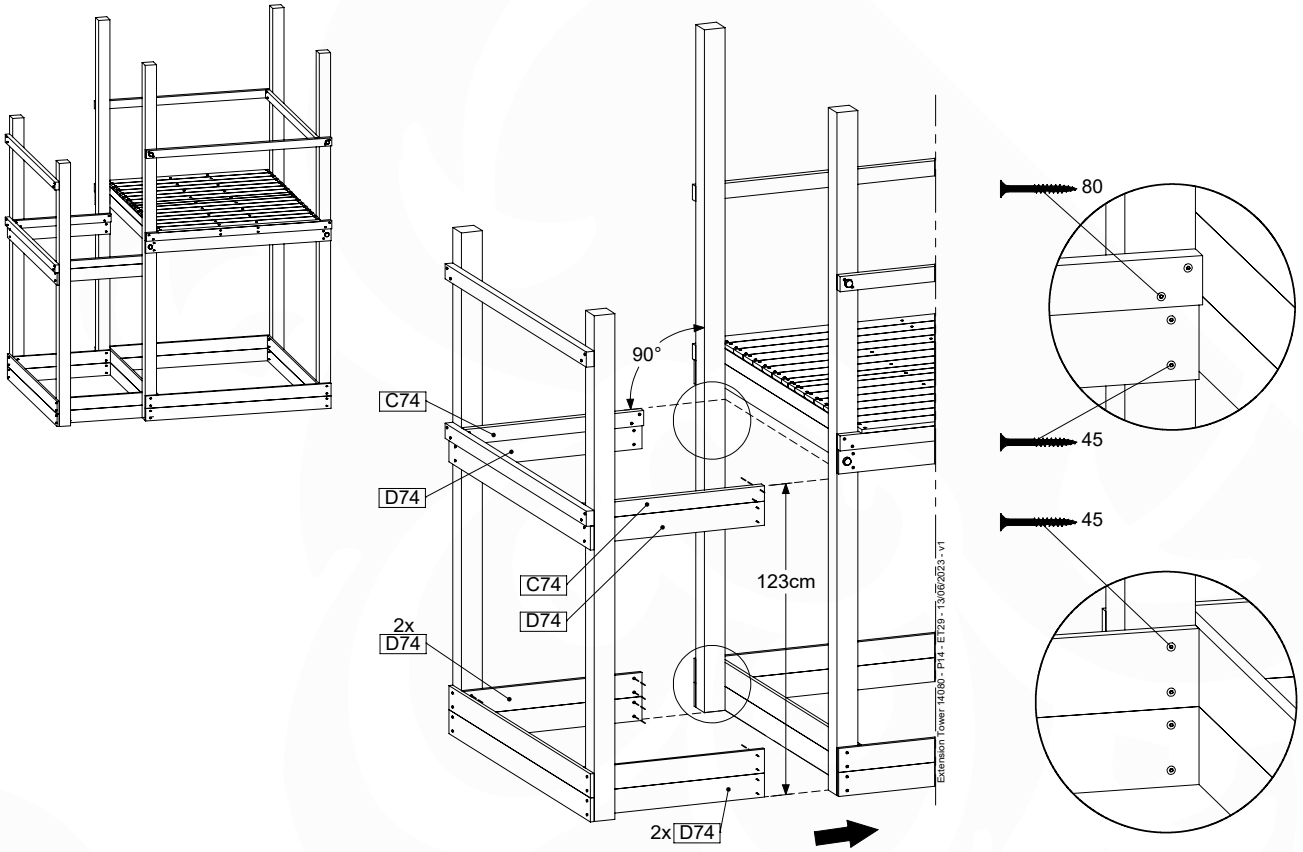


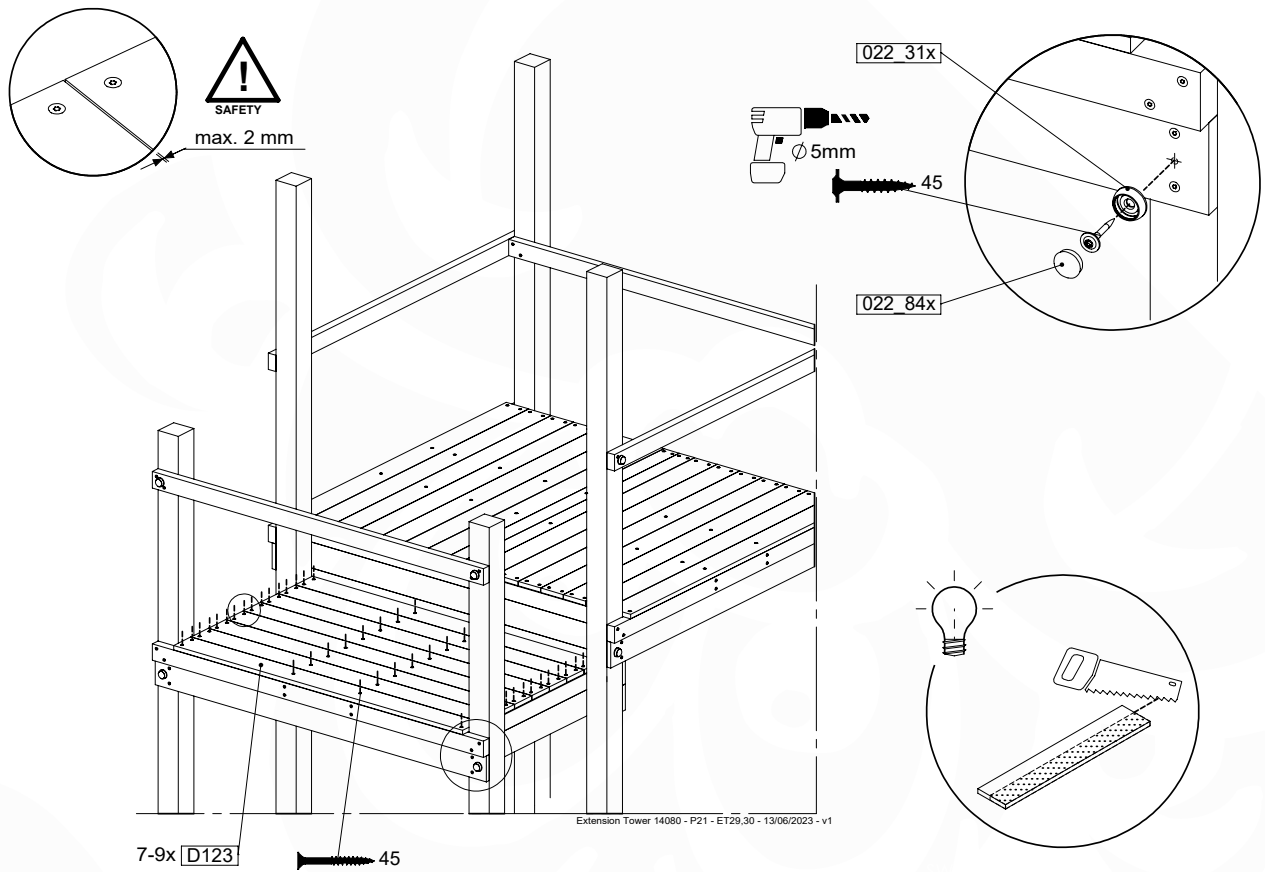
Base Tower



A = B





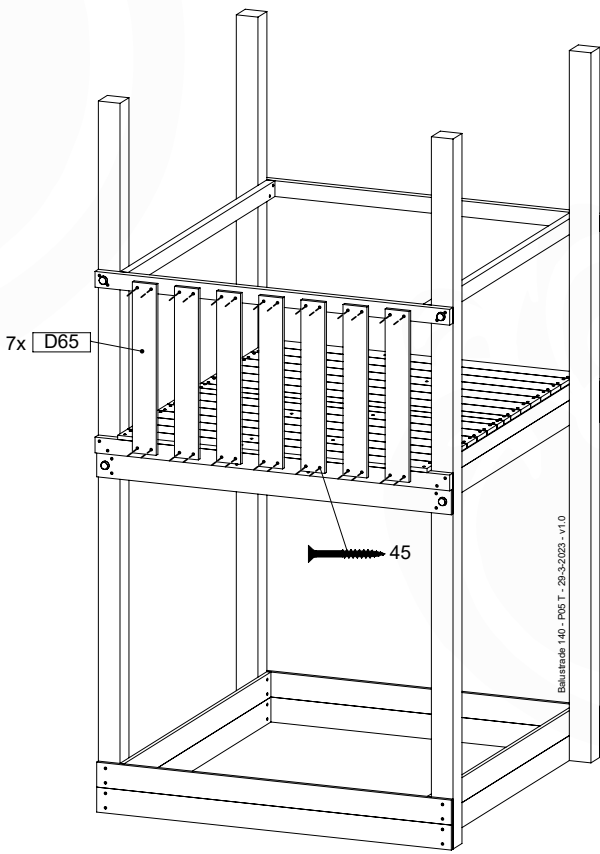
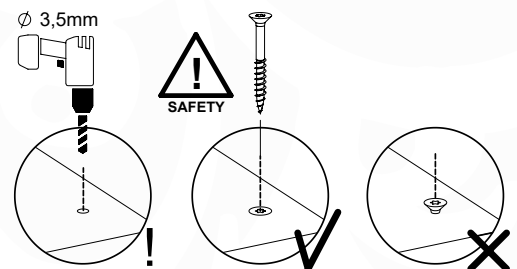
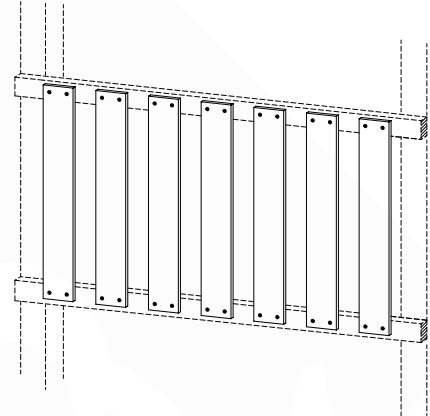


10 BL06a: Balustrade 140 T

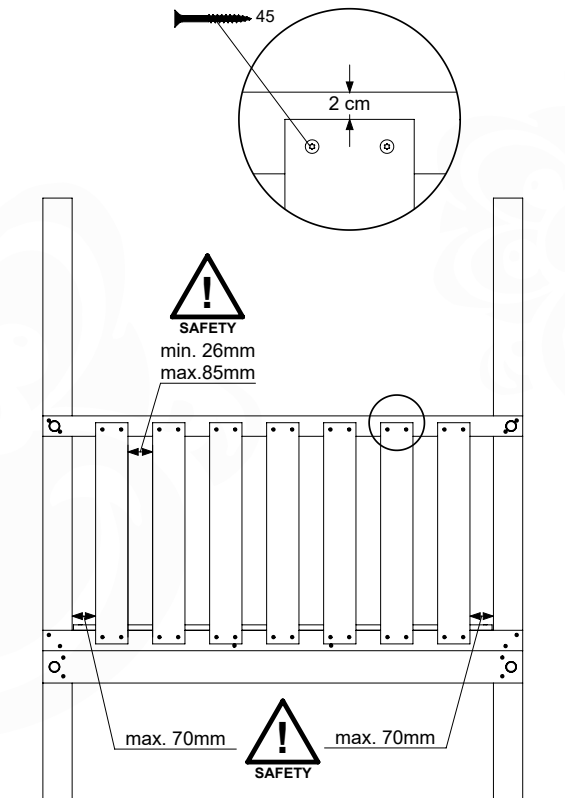
(194_501)

| | PartNo | PartName | QTY. |
|---------------|---------|----------------------------|------|
| Hardware pack | 002_220 | Gap Point Screw T25 - 5x45 | 28 |
| Timber | D65 | Board 650 mm | 7 |

Balustrade 140 - P03 T - 28-3-2023 - v1.0



Balustrade 140 - P05 T - 28-3-2023 - v1.0

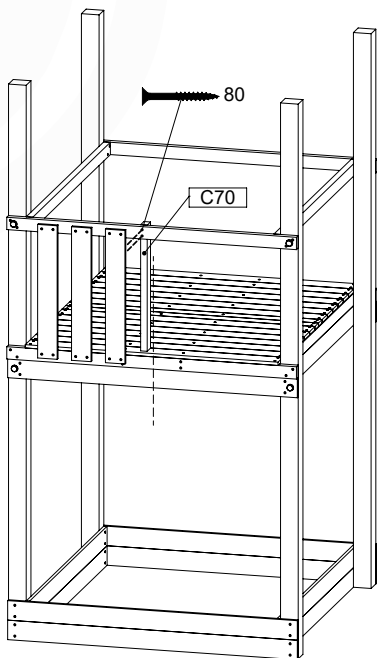
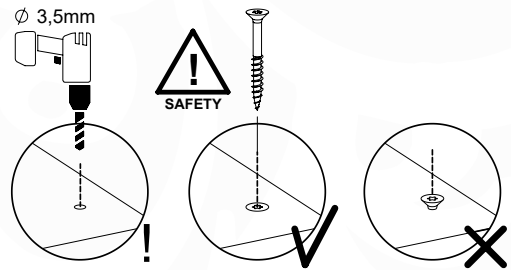
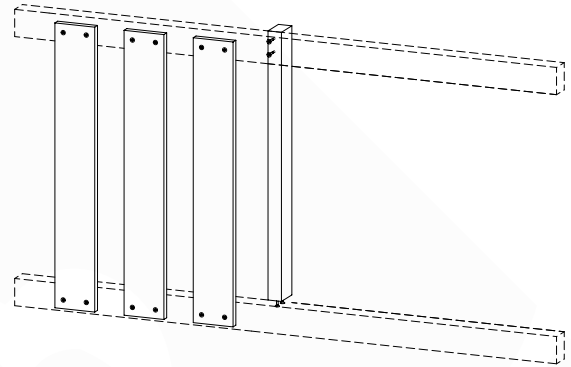


11 BL09a: Half Balustrade T Left

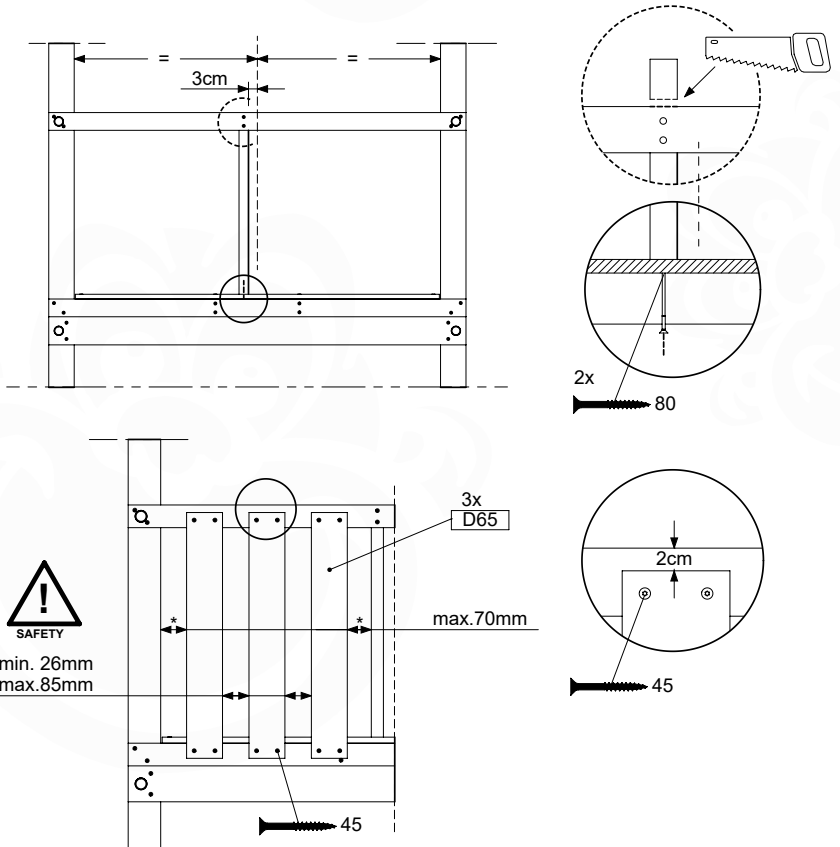
(194_101)

| | PartNo | PartName | QTY. |
|---------------|---------|----------------------------|------|
| Hardware pack | 002_220 | Gap Point Screw T25 - 5x45 | 12 |
| | 002_223 | Gap Point Screw T25 - 5x80 | 4 |
| Timber | C70 | Beam 700 mm | 1 |
| | D65 | Board 650 mm | 3 |

Dt. Half Balustrade 70140 - POM TL - 29-3-2023 - v1



Dt. Half Balustrade 70140 - POM TL - 29-3-2023 - v1

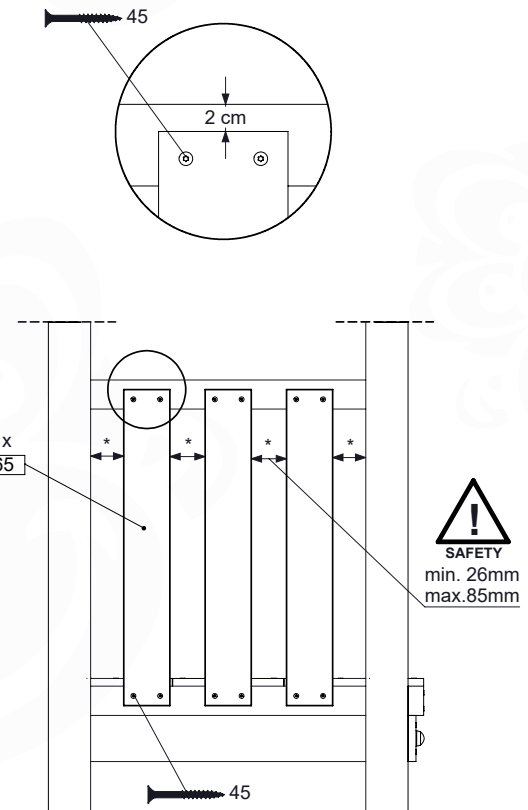
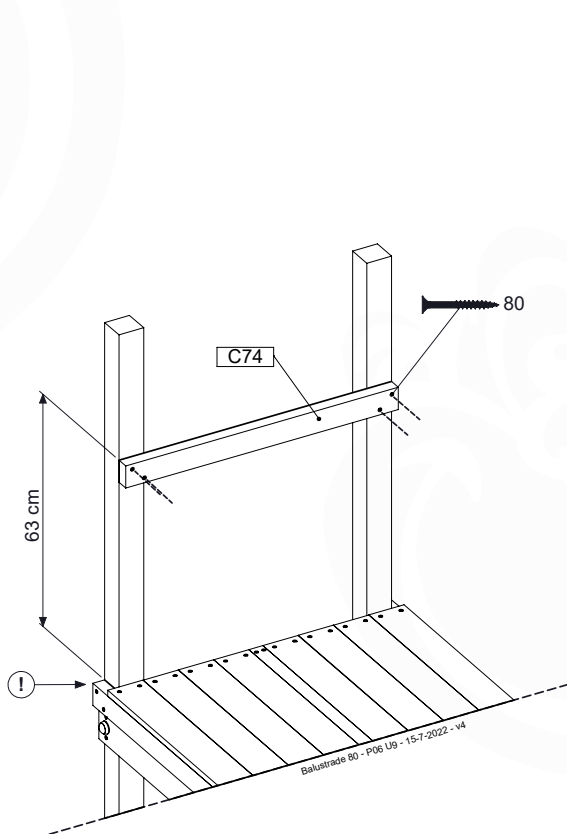
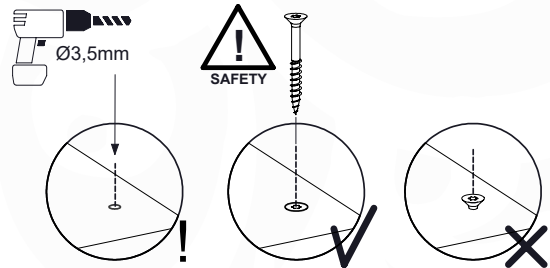
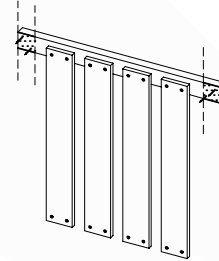


12 BL21a: Balustrade 80 U - 9x9 posts

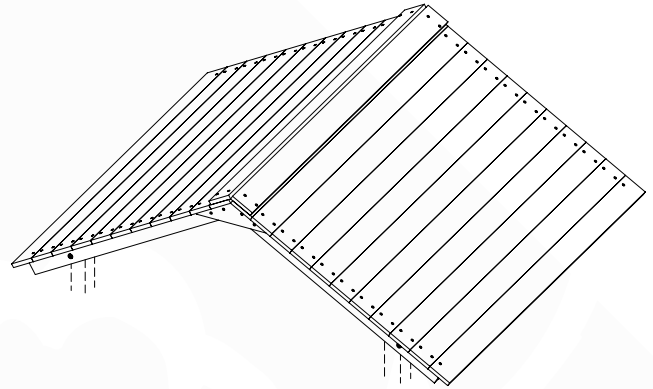
(194_101)

| | PartNo | PartName | QTY. |
|---------------|---------|----------------------------|------|
| Hardware Pack | 002_220 | Gap Point Screw T25 - 5x45 | 16 |
| | 100_601 | Gap Point Screw T25 - 5x80 | 4 |
| Timber | C74 | Beam 740 mm | 1 |
| | D65 | Board 650 mm | 4 |

Balustrade 80 - P02 U - 15-7-2022 - v4



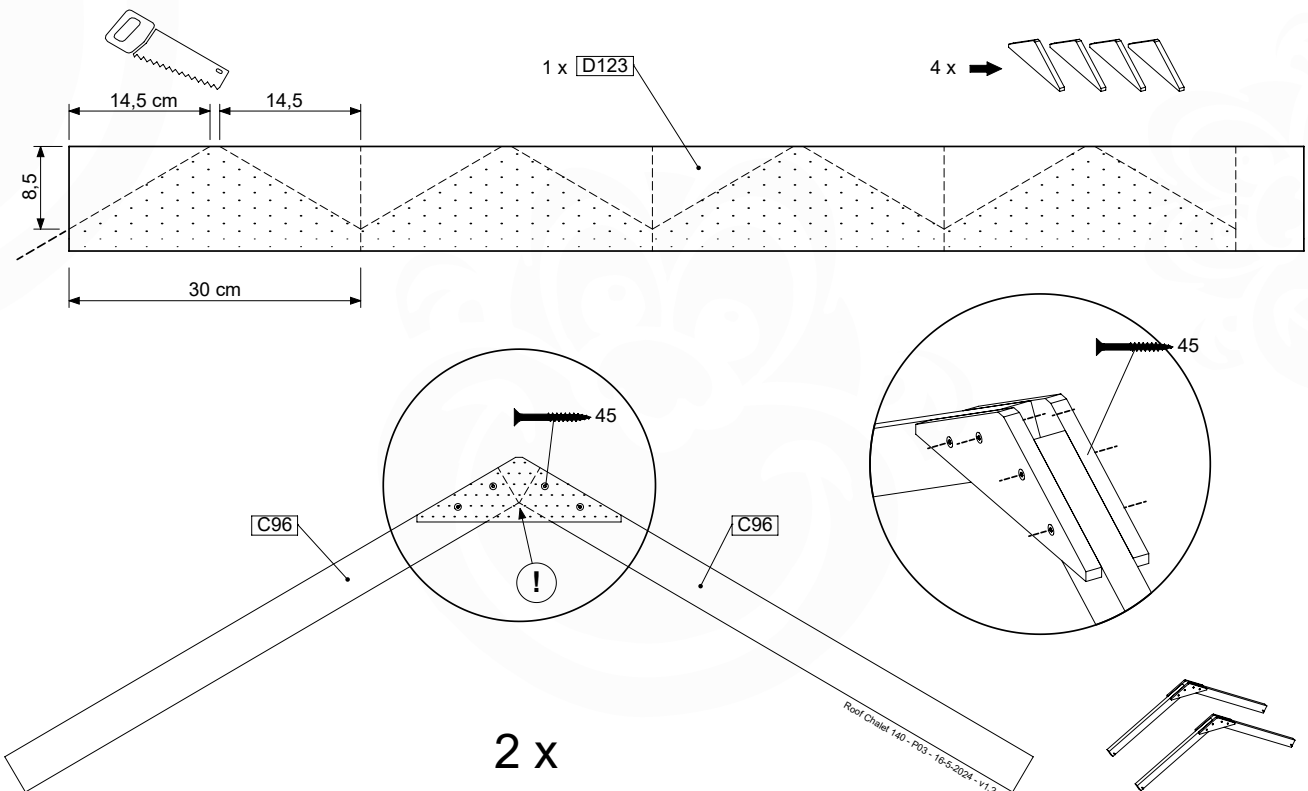
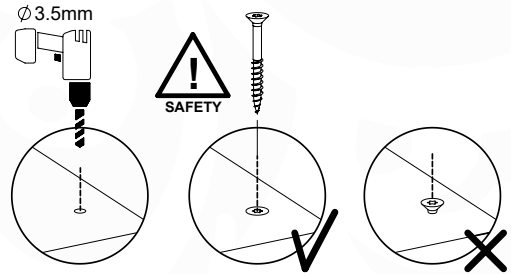
13 RF15a: Roof Timber Slope 140

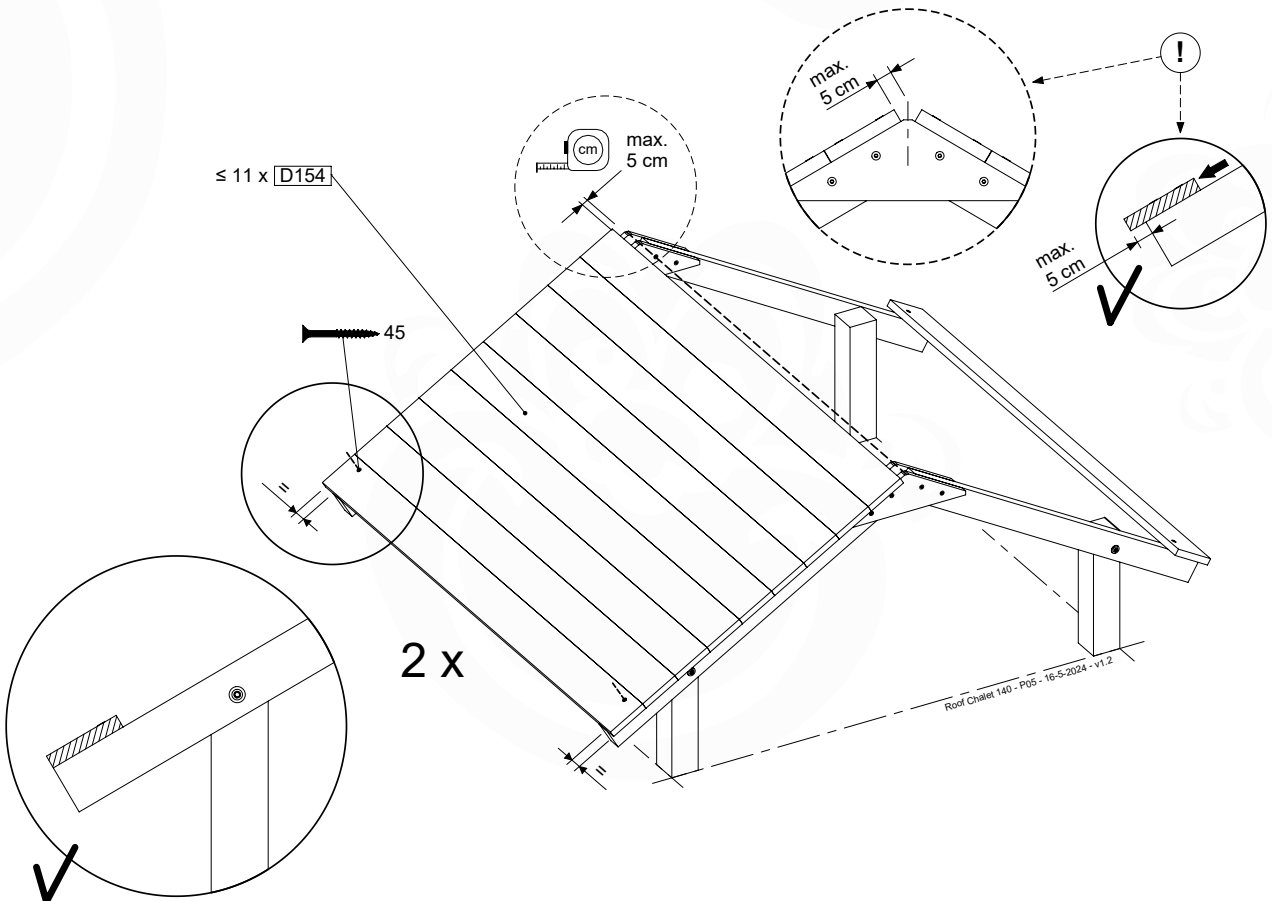
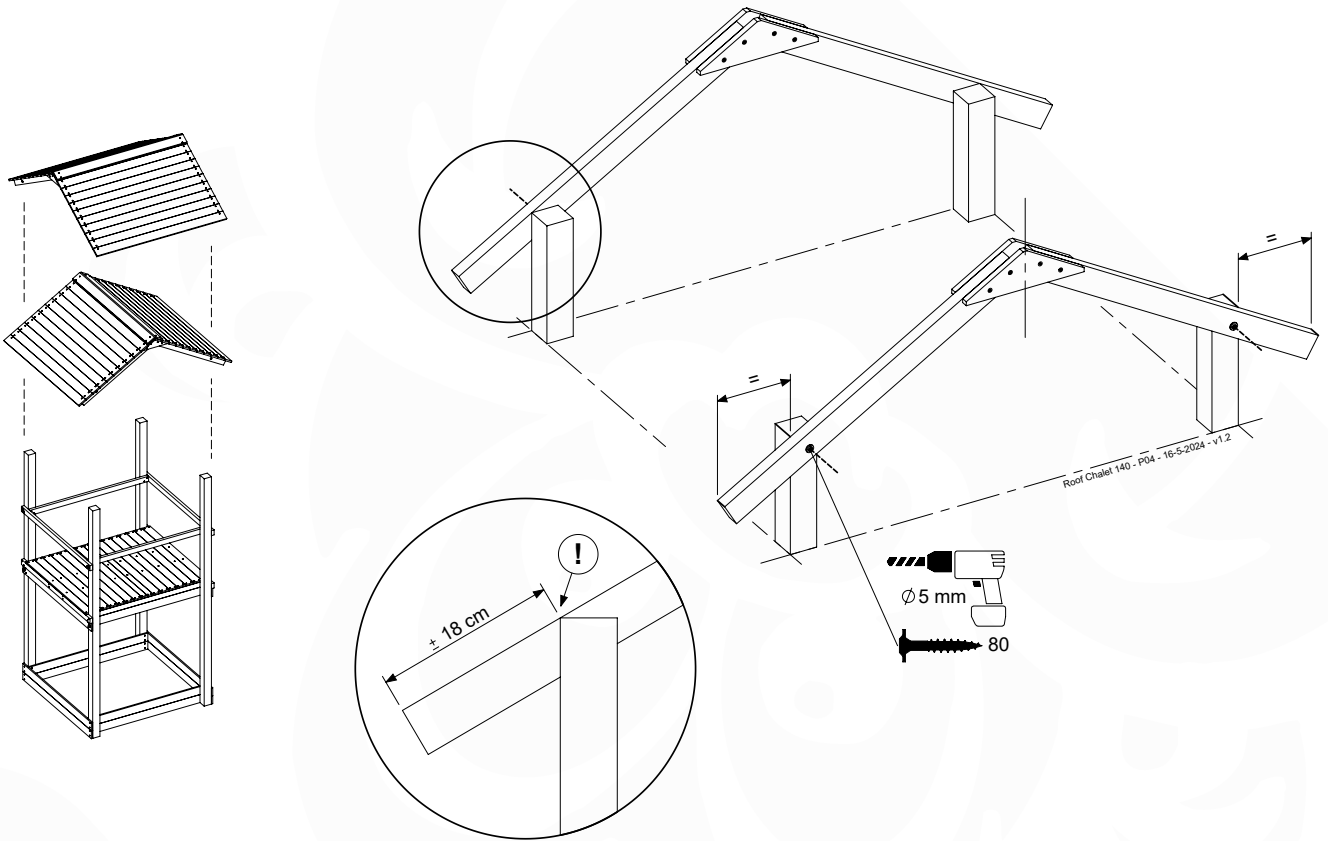


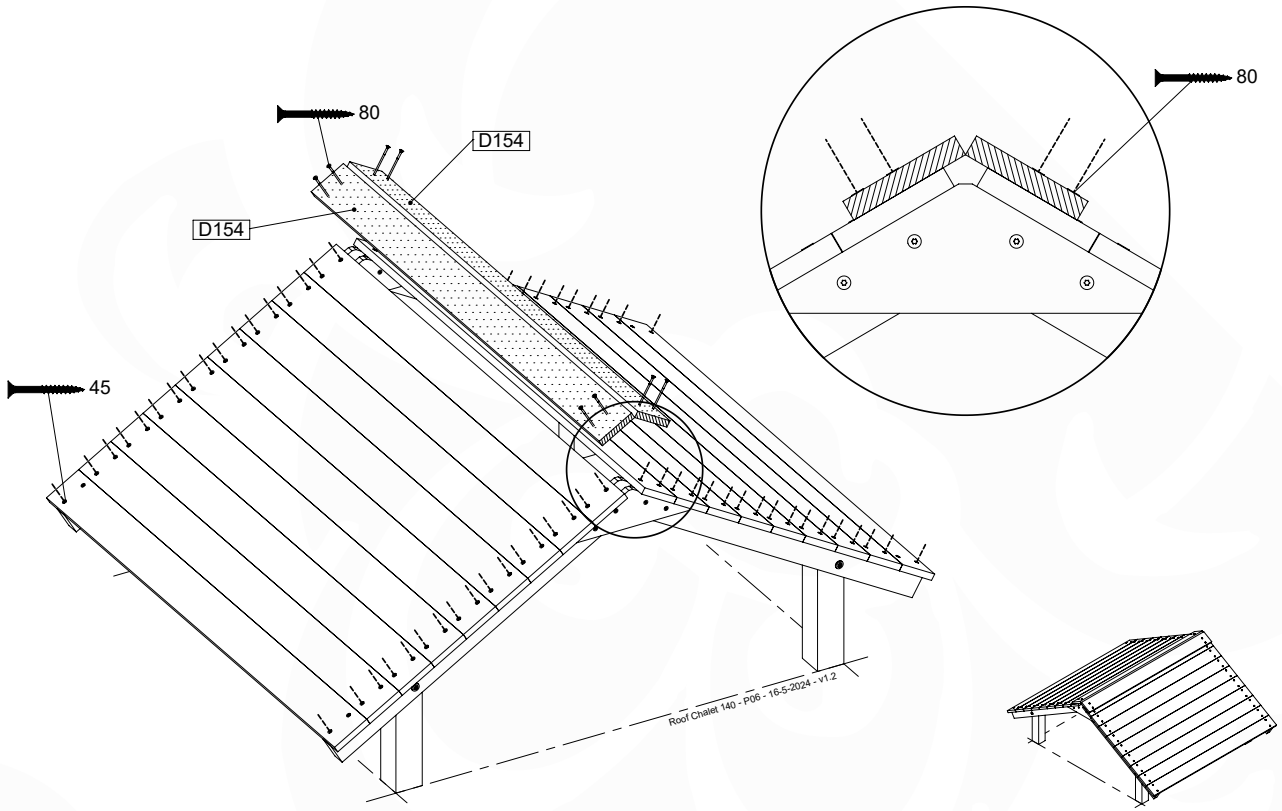
Assembly Pack: 194_508 / 194_804

| | PartNo | PartName | QTY. |
|---------------|---------|----------------------------|------|
| Hardware pack | 001_417 | Stealth Screw 8x80 | 4 |
| | 002_220 | Gap Point Screw T25 - 5x45 | 108 |
| Timber | C96 | Beam 960 mm | 4 |
| | D123 | Board 1230 mm | 1 |
| | D154 | Board 1540 mm | 24 |

Roof Chisel 140 - P03 - 16-5-2024 - v1.2





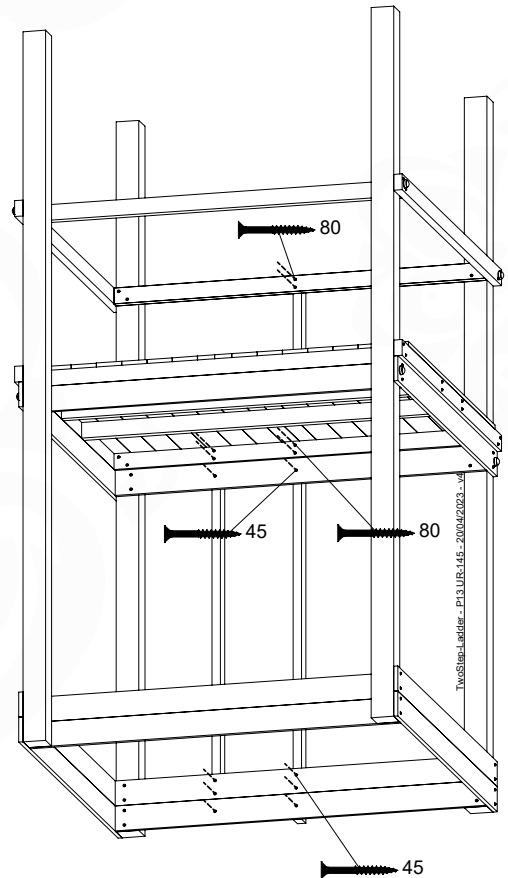
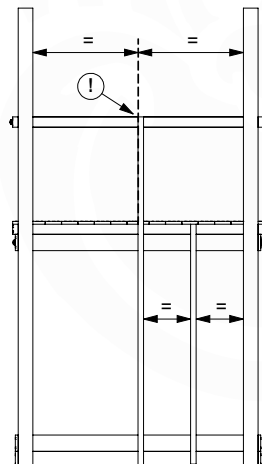
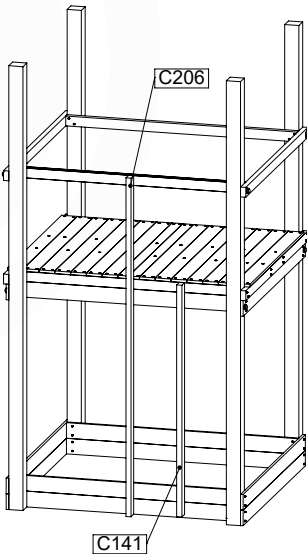
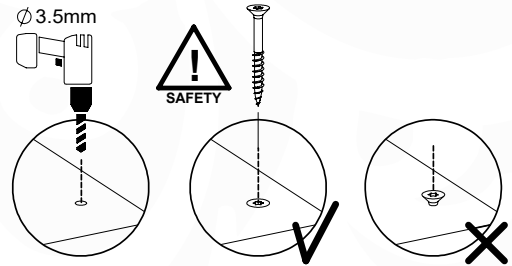
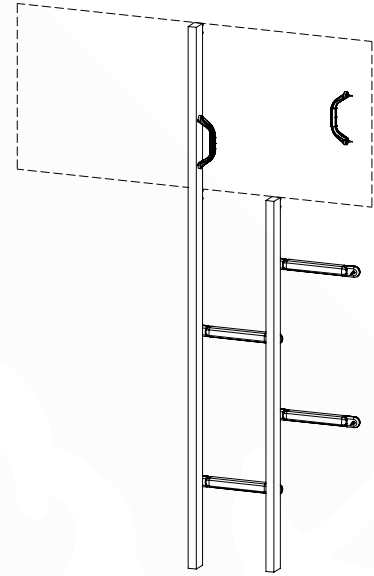


14 TS18a: TwoStep 140 145 U Right

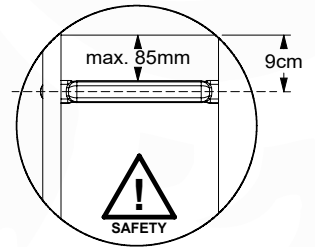
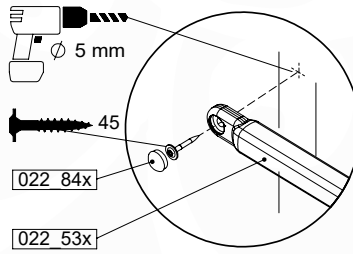
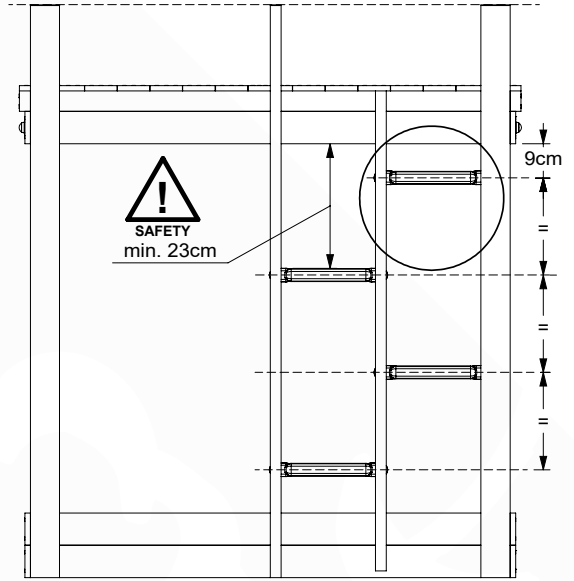
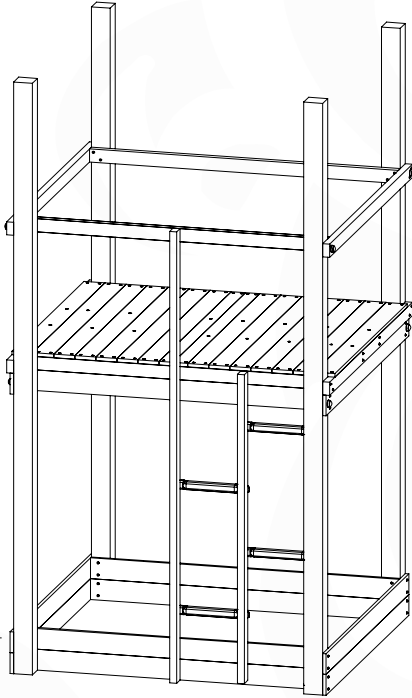
(194_002)

| | PartNo | PartName | QTY. |
|---------------|---------|----------------------------|------|
| Hardware pack | 001_406 | Stealth Screw 8x45 | 8 |
| | 002_220 | Gap Point Screw T25 - 5x45 | 8 |
| | 002_223 | Gap Point Screw T25 - 5x80 | 6 |
| Other | 022_53x | Ladder/ Rope Rung 30cm | 4 |
| | 022_84x | bpc cover | 8 |
| | 120_102 | Handgrip set (complete 2x) | 1 |
| Timber | C141 | Beam 1410 mm | 1 |
| | C206 | Beam 2060 mm | 1 |

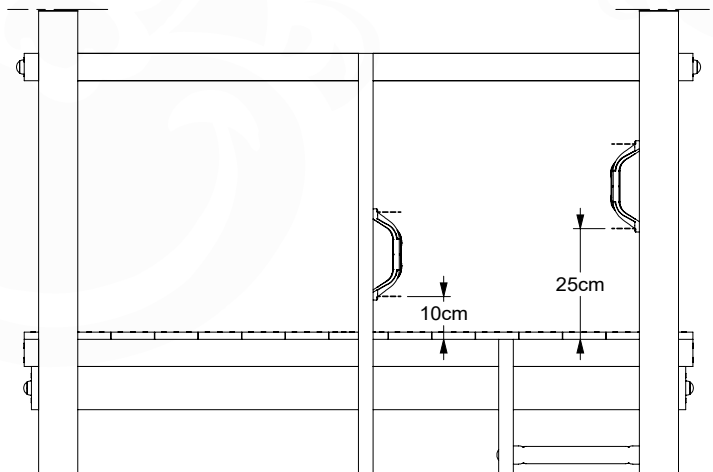
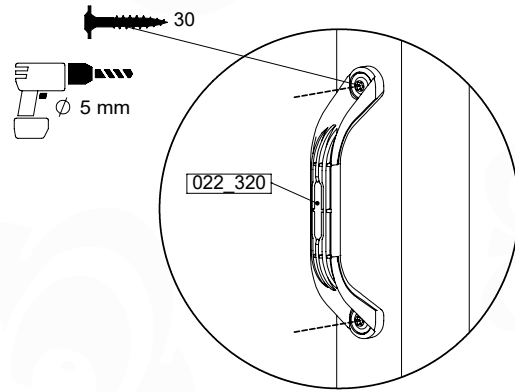
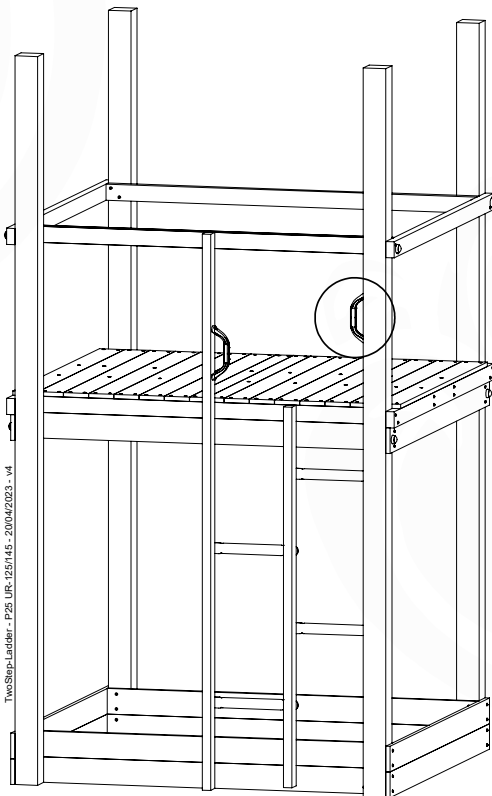
TwoStep-Ladder - P17.UR.145 - 2024/2023 - v4



TwoStep-Ladder - P21 UR-125/145 - 20/04/2023 - v4



TwoStep-Ladder - P26 UR-125/145 - 20/04/2023 - v4

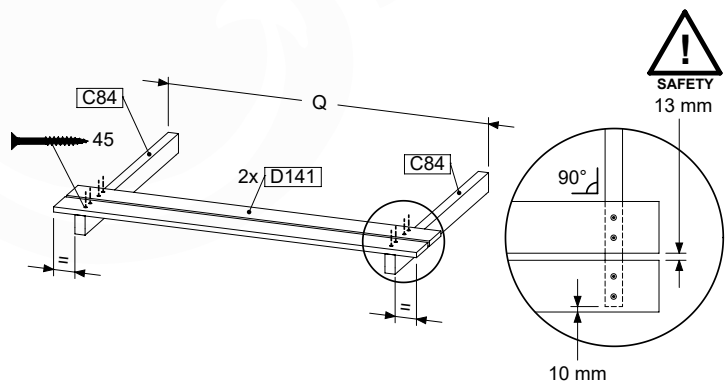
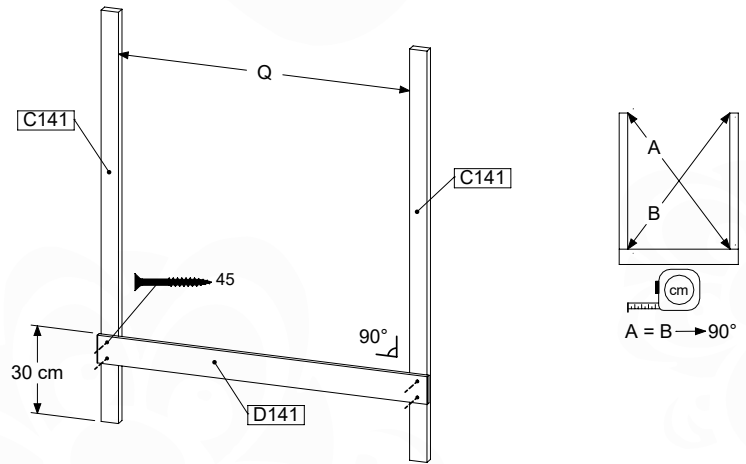
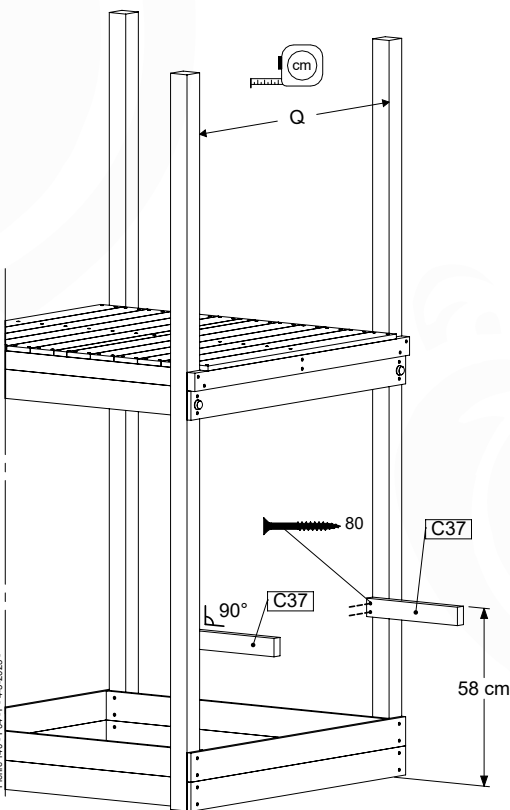
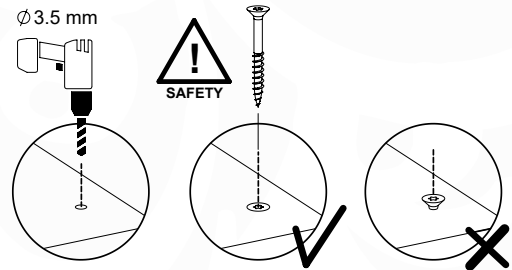
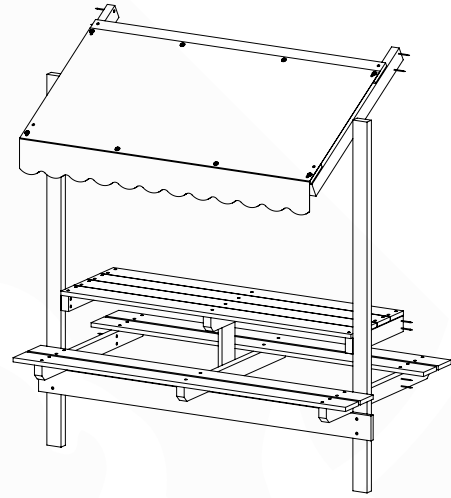


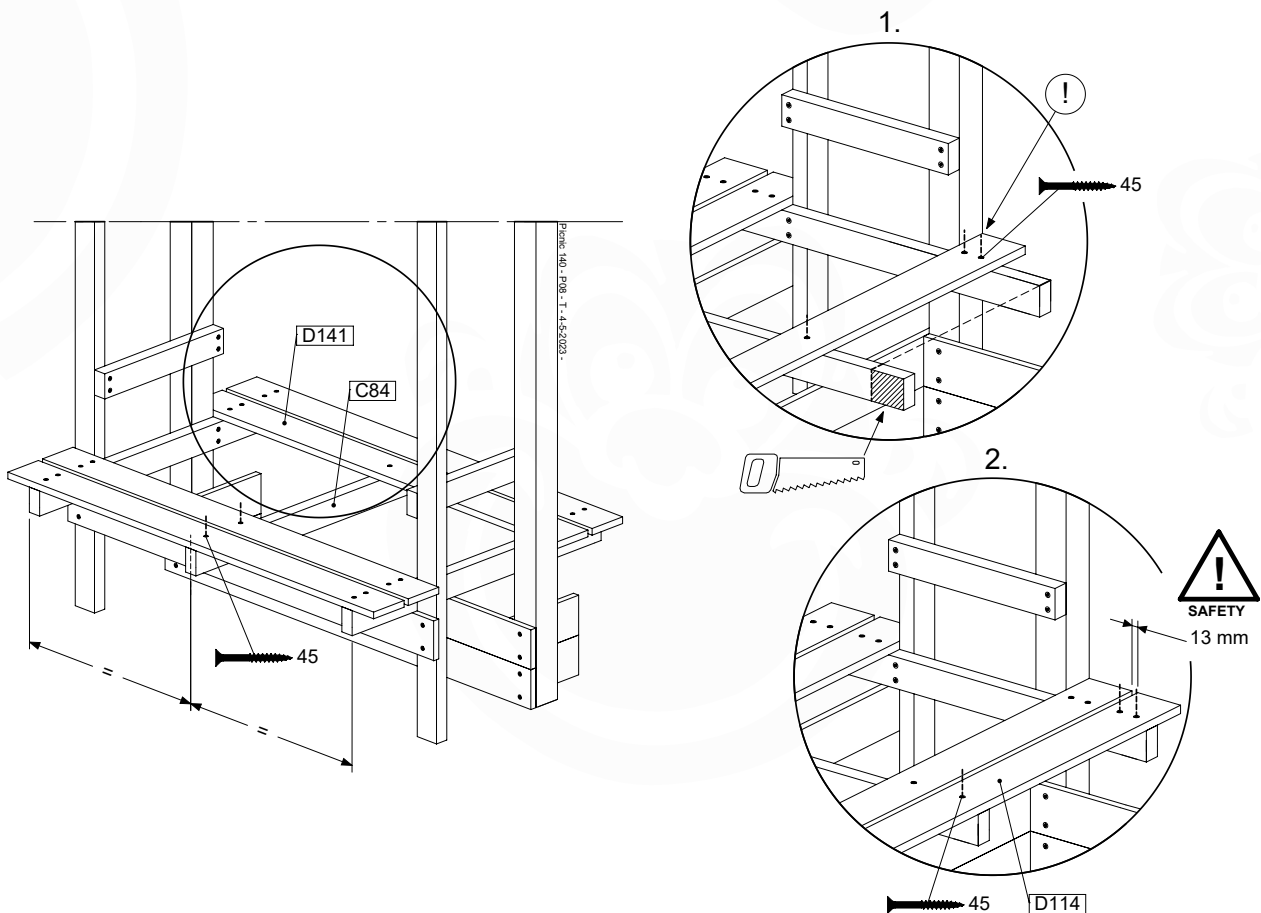
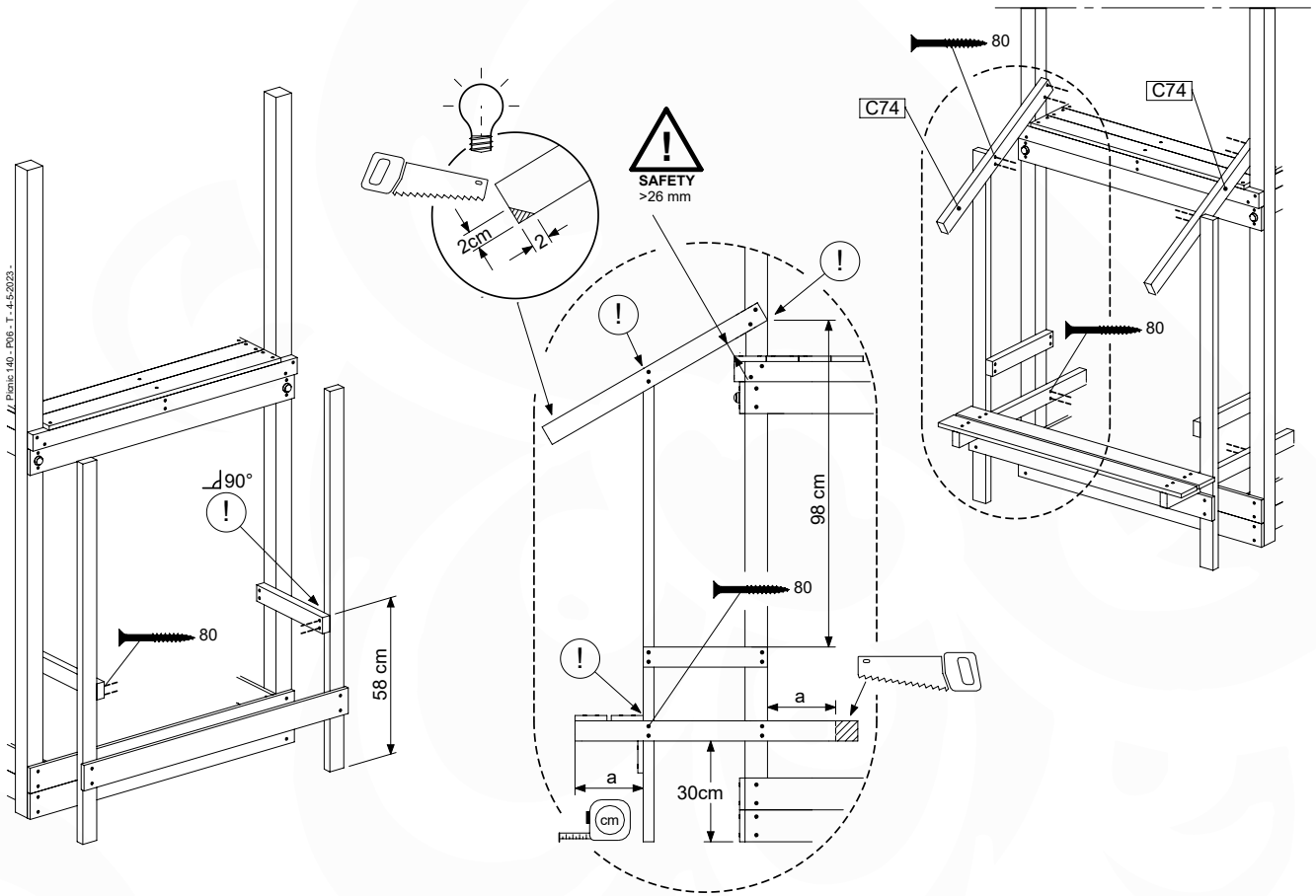
15 PC10a: Picnic 140 T

(194_810)

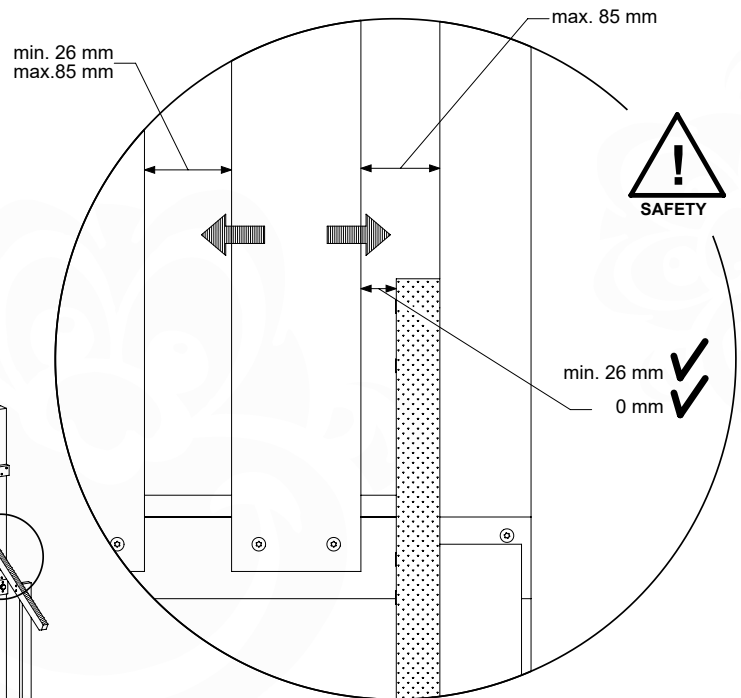
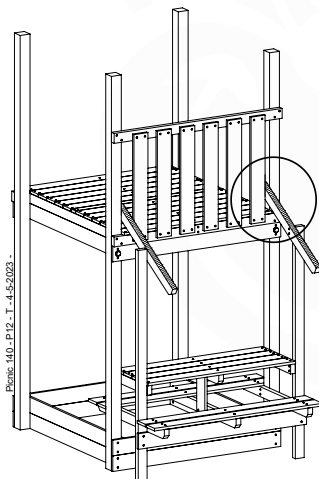
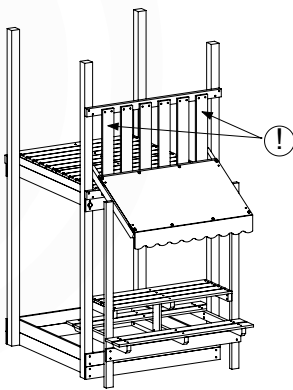
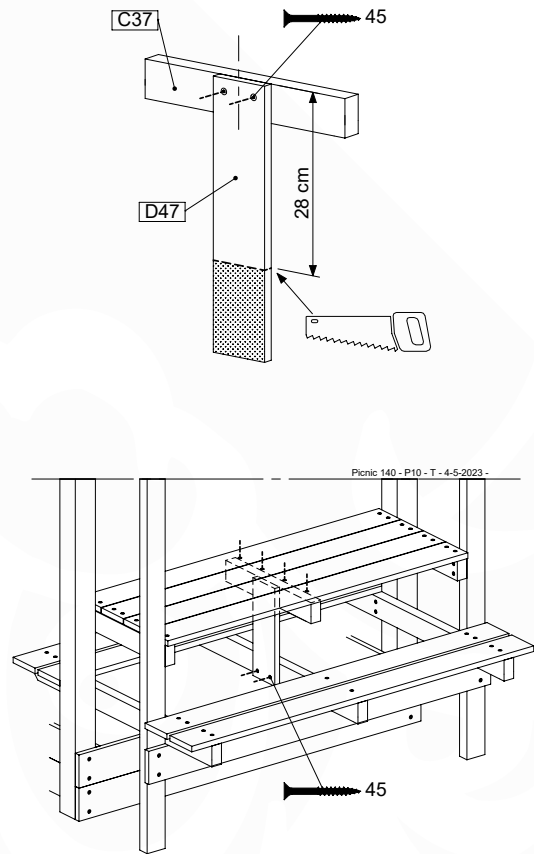
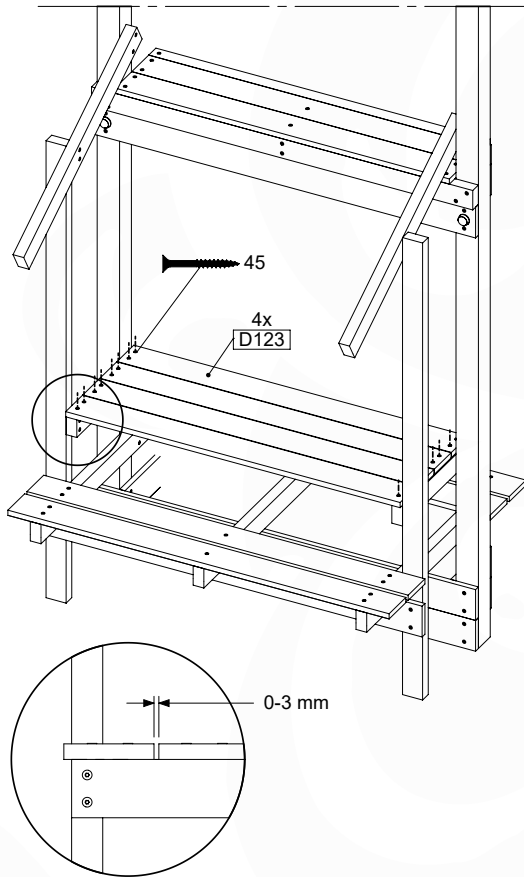
| | PartNo | PartName | QTY. |
|---------------|---------|----------------------------|------|
| Hardware Pack | 002_220 | Gap Point Screw T25 - 5x45 | 56 |
| | 002_223 | Gap Point Screw T25 - 5x80 | 24 |
| | 002_308 | Gap Point Screw T25 - 5x20 | 8 |
| | 023_031 | Finishing Washer GPS 5.0 | 8 |
| Other | 123_220 | Canvas sheet 735x1365mm | 1 |
| Timber | C37 | Beam 370 mm | 3 |
| | C74 | Beam 740 mm | 2 |
| | C84 | Beam 840 mm | 3 |
| | C141 | Beam 1410 mm | 2 |
| | D47 | Board 470 mm | 1 |
| | D123 | Board 1230 mm | 6 |
| | D141 | Board 1410 mm | 5 |

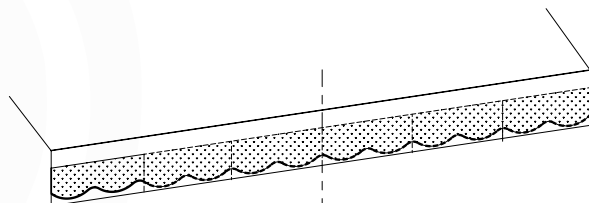
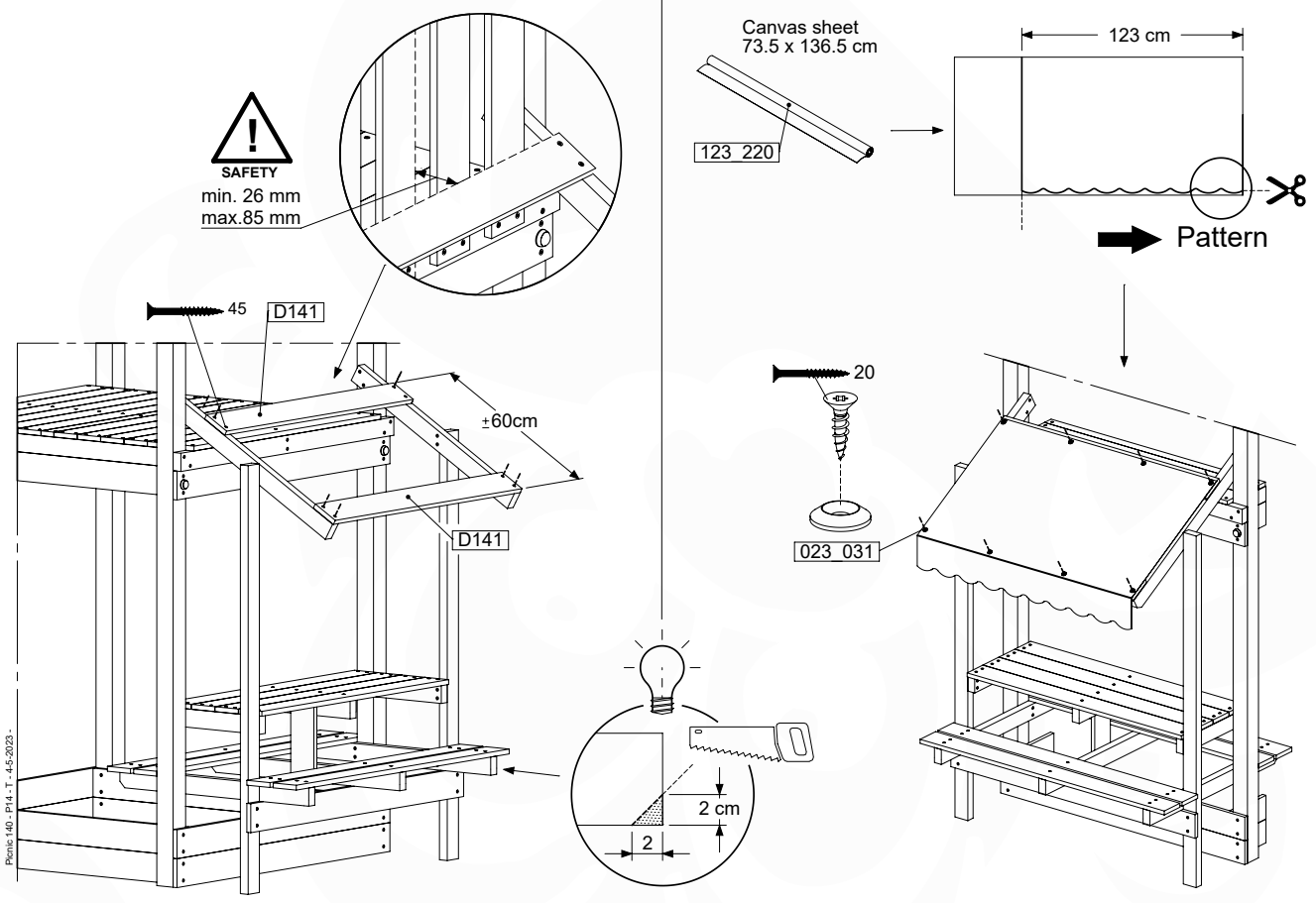
Picnic 140 - P02 - UIT - 4-5-2023 -



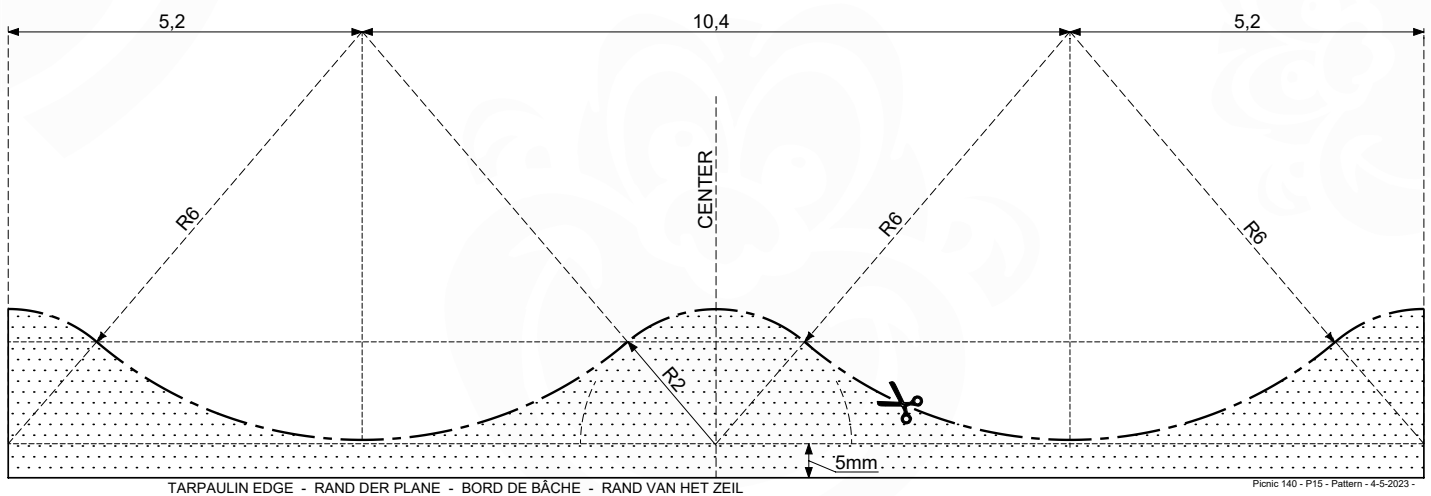


15.2





EXAMPLE PATTERN
BEISPIELVORLAGE FÜR MARKISE
SCHEMA SUGGÈRE DE DÉCOUPE POUR AUVENT
VOORBEELDSJABLOON LUIFEL



← repeat

repeat →

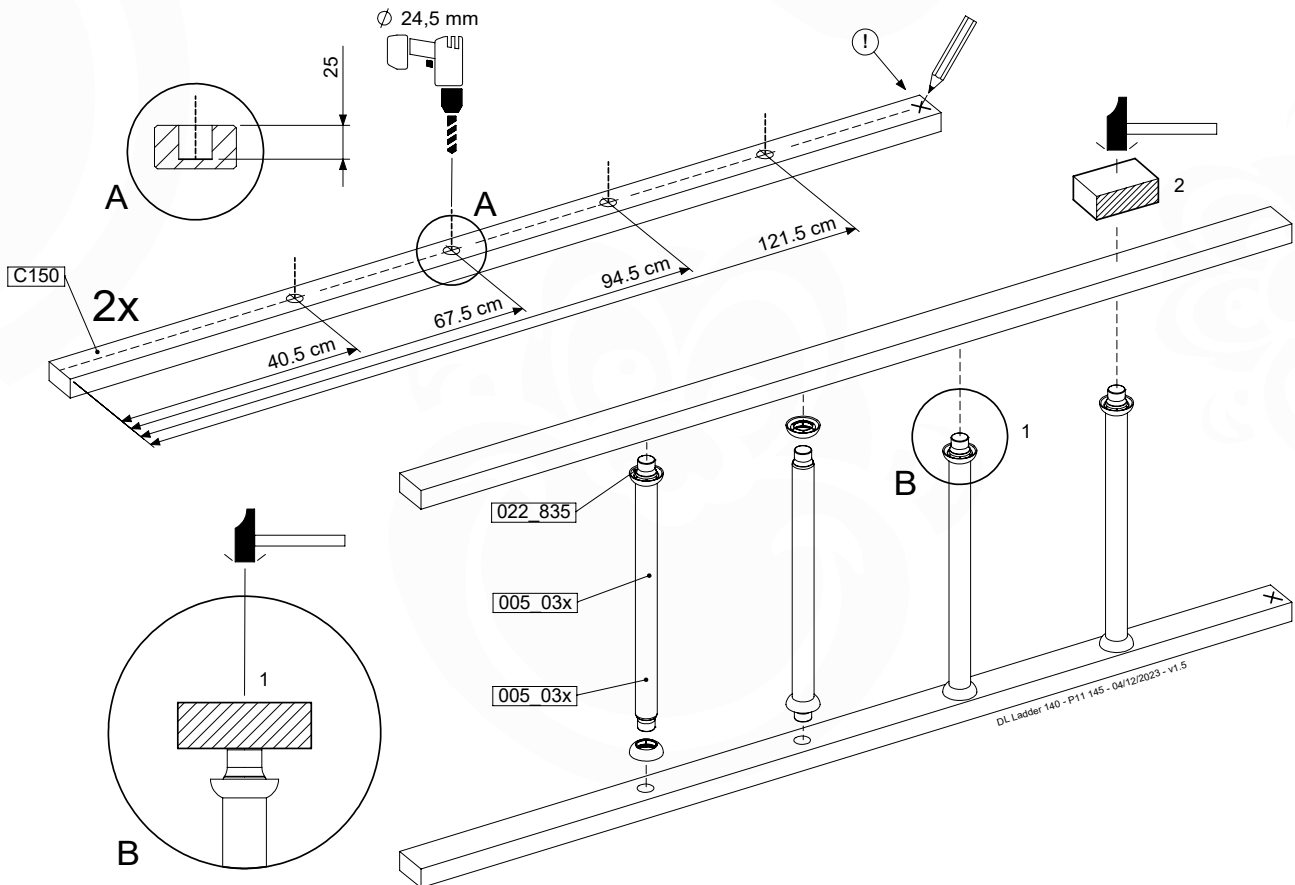
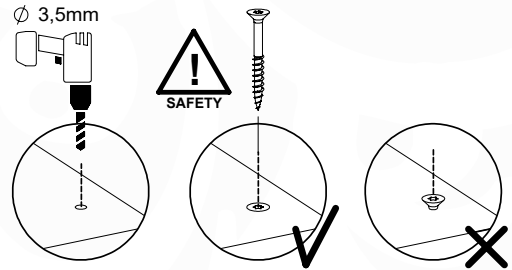
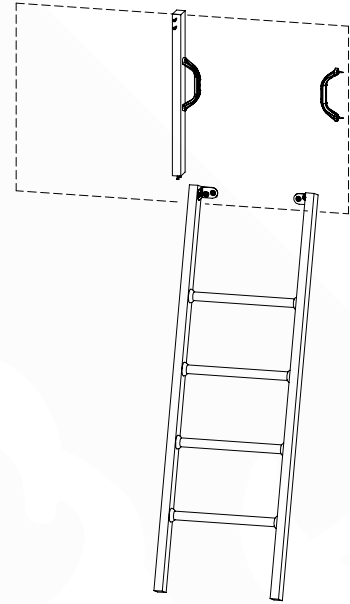
! Scale of print may not be accurate.
Druckformat kann abweichen.
Les tailles imprimées peuvent varier.
Printformaat kan afwijken.

16 LA26a: Ladder 140 145 T Right

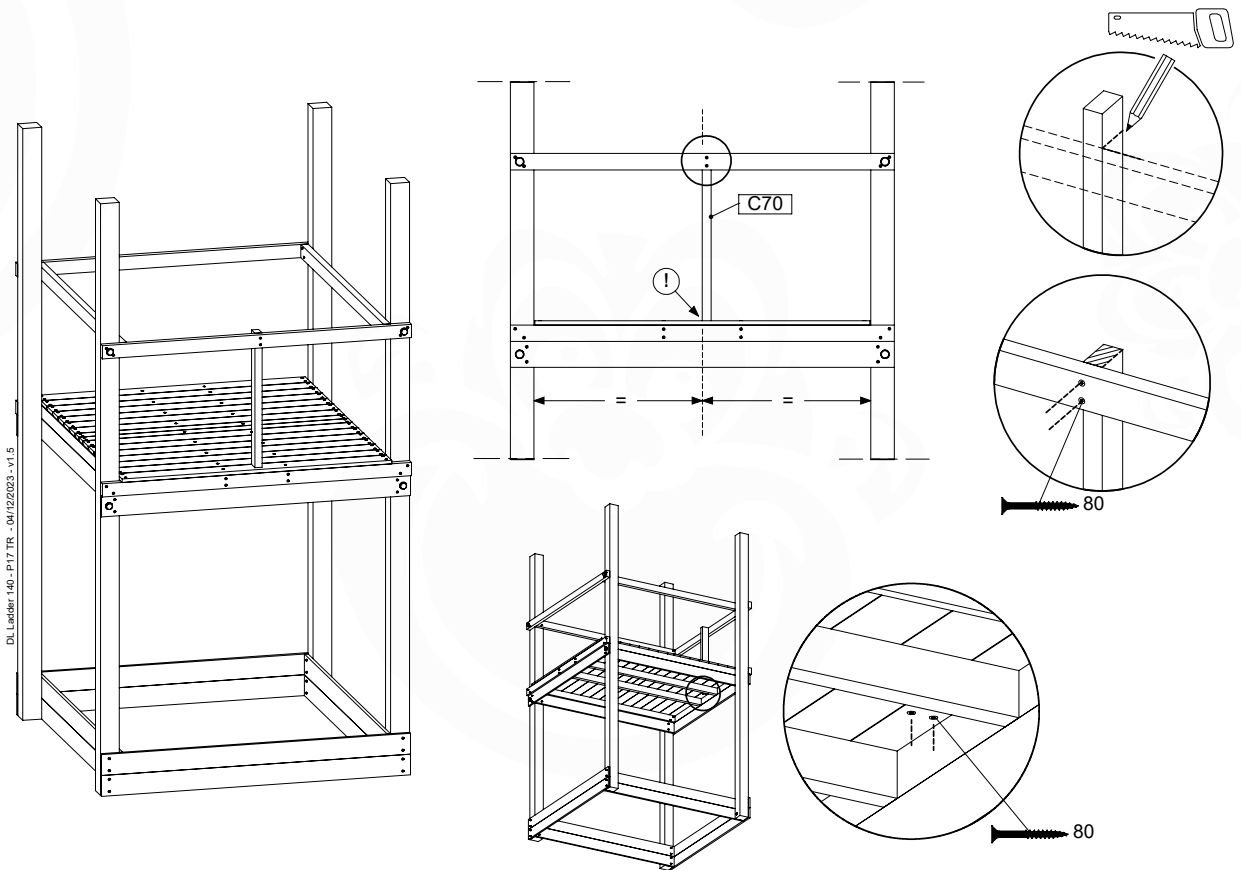
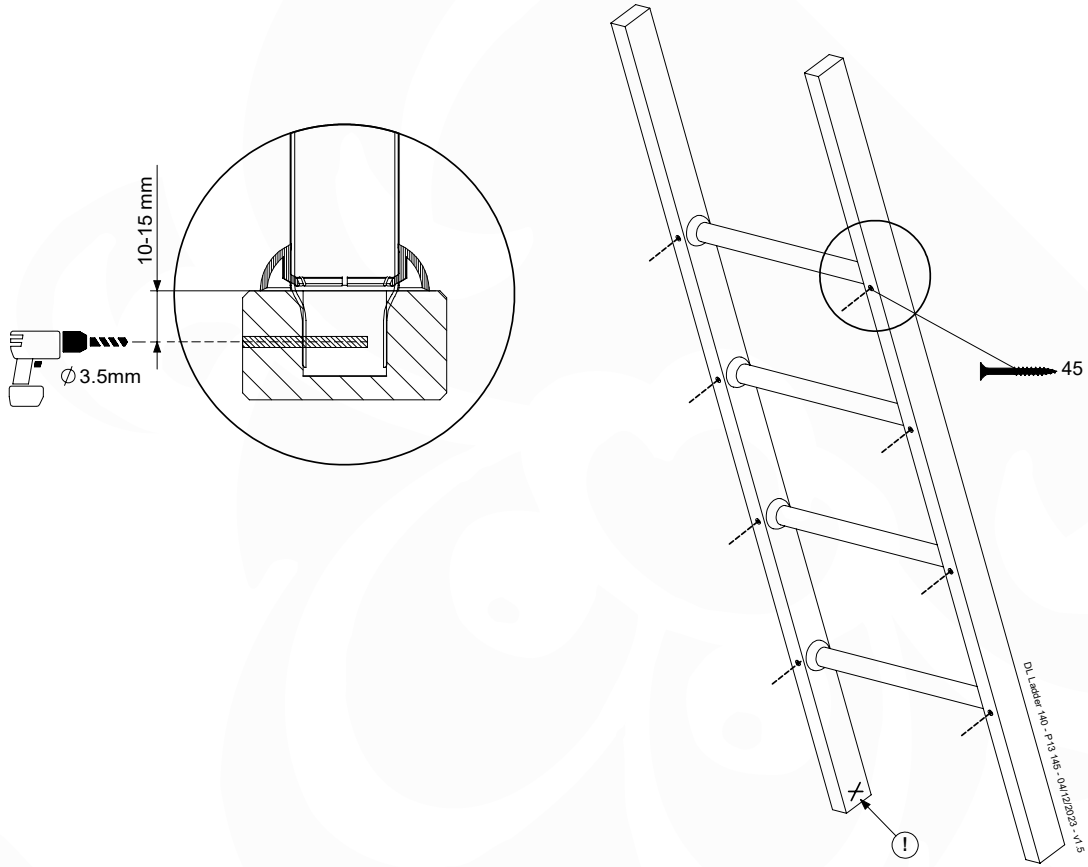
(194_004)

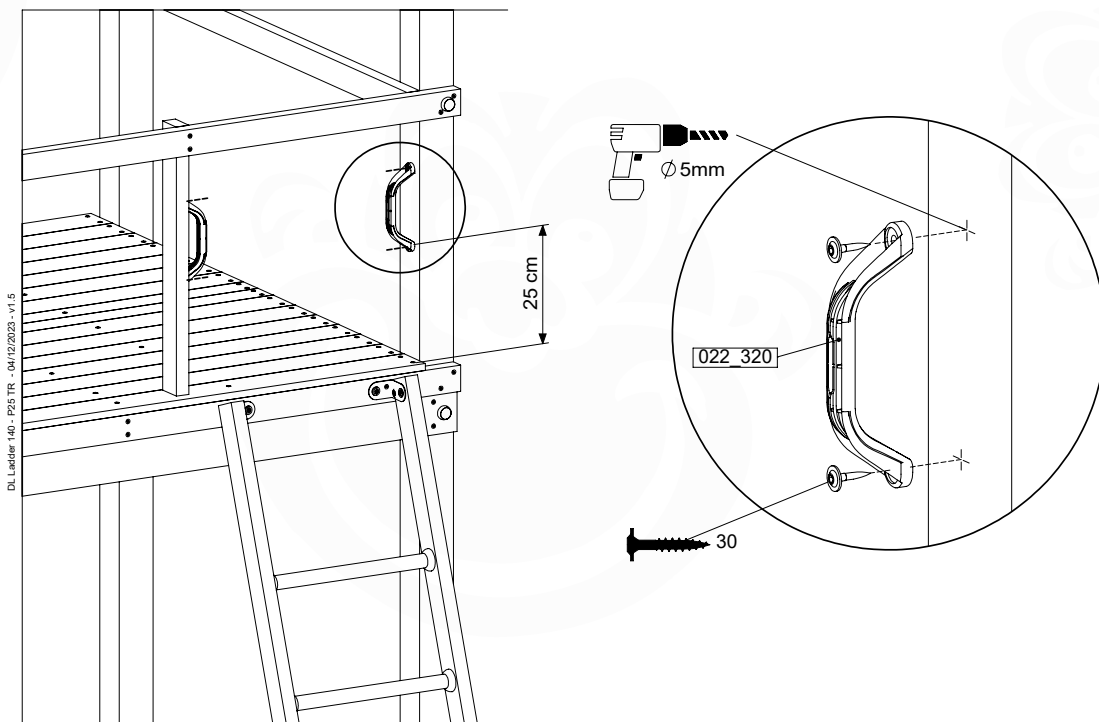
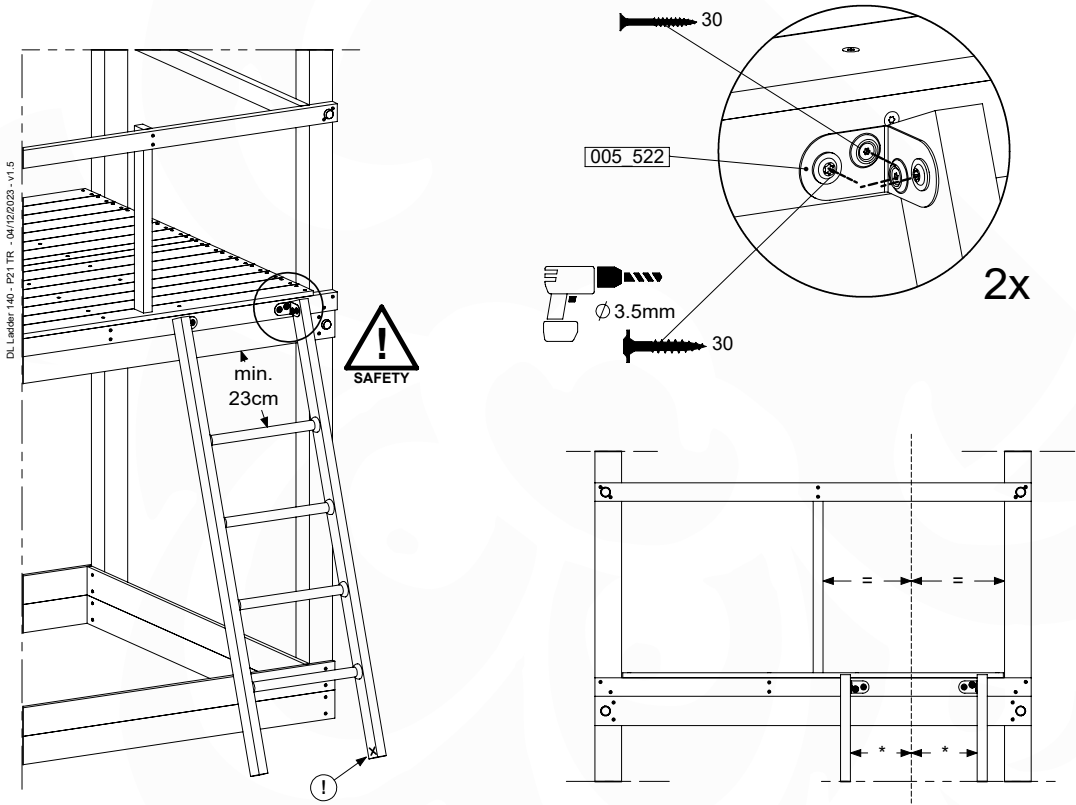
| | PartNo | PartName | QTY. |
|---------------|---------|--------------------------------|------|
| Hardware pack | 001_404 | Stealth Screw 8x30 | 4 |
| | 002_219 | Gap Point Screw T25 - 5x30 | 4 |
| | 002_220 | Gap Point Screw T25 - 5x45 | 8 |
| | 002_223 | Gap Point Screw T25 - 5x80 | 4 |
| Other | 005_03x | Ladder Rung Y/B/G/R | 4 |
| | 005_522 | Connection Bracket Mini Market | 2 |
| | 022_835 | Rung Cap | 8 |
| | 120_102 | Handgrip set (complete 2x) | 1 |
| Timber | C70 | Beam 700 mm | 1 |
| | C150 | Beam 1500 mm | 2 |

DL Ladder 140 - P09 IR 145 - 04/12/2023 - v1.5



DL Ladder 140 - P11 145 - 04/12/2023 - v1.5



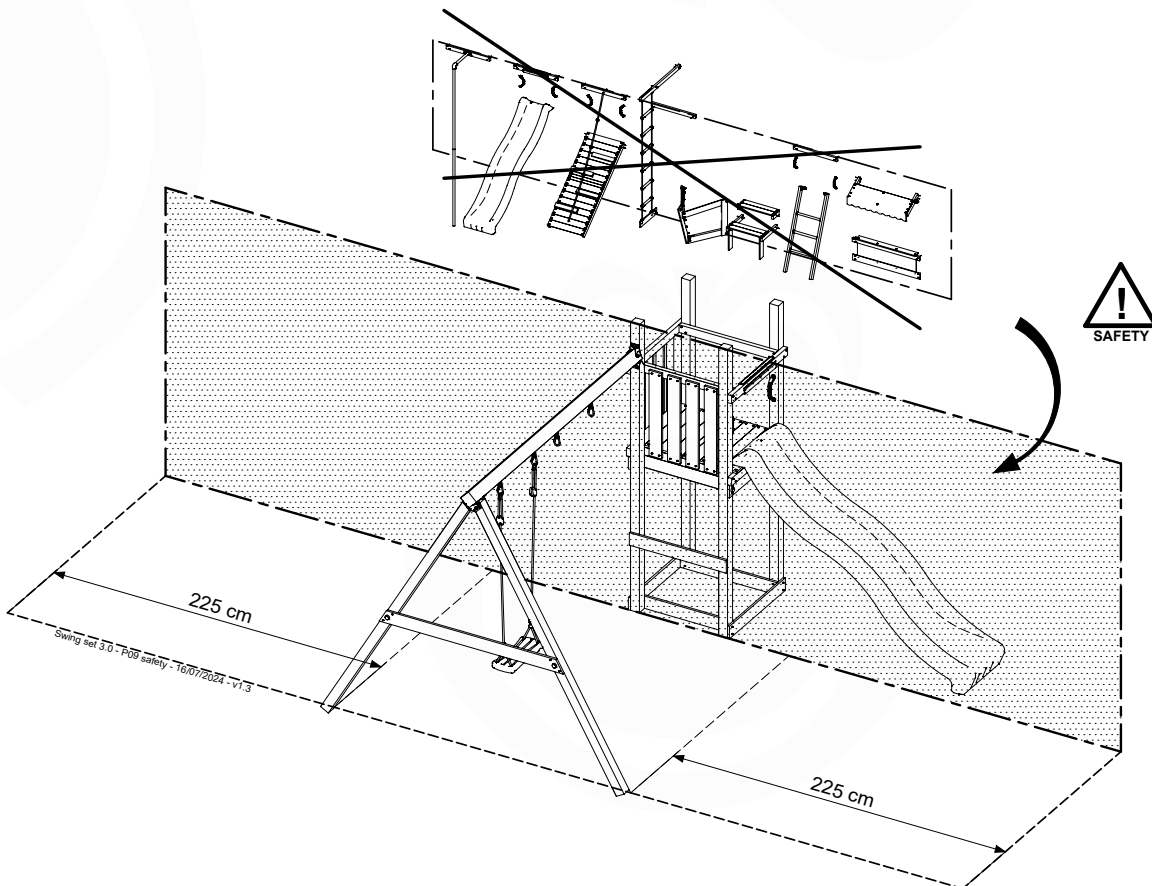
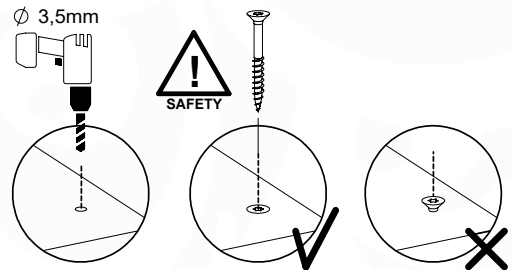
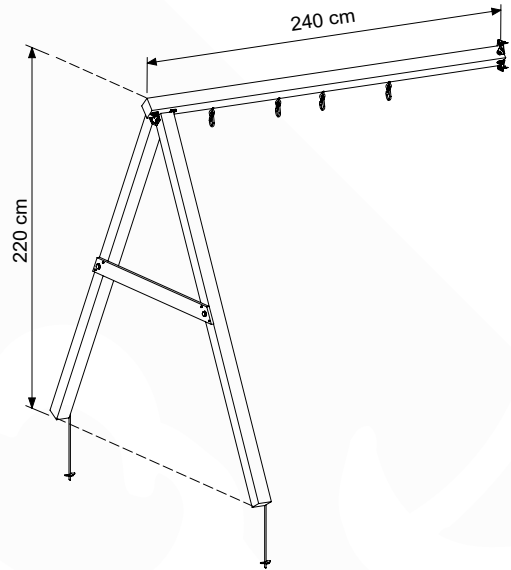


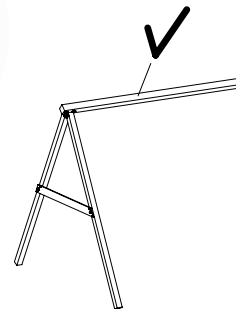
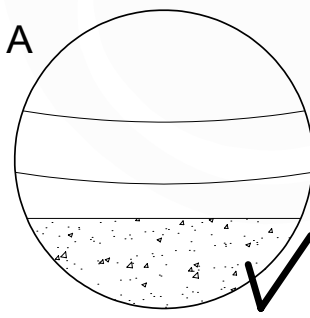
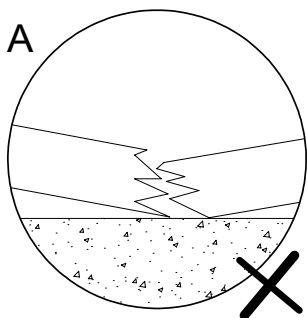
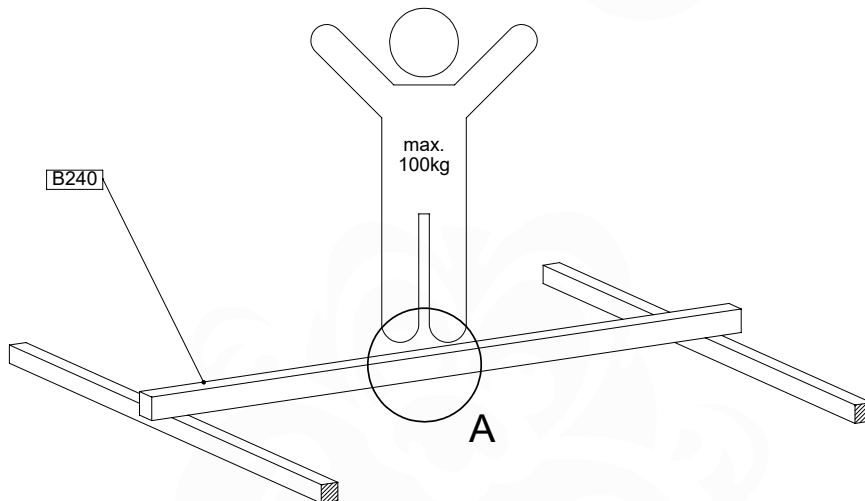
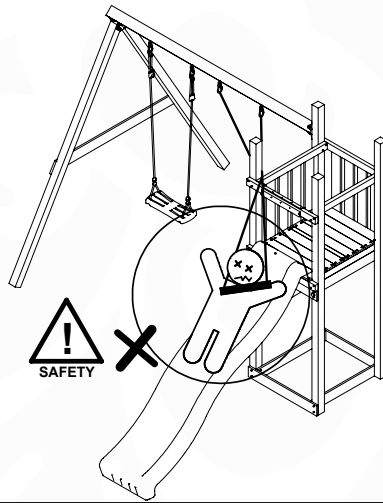
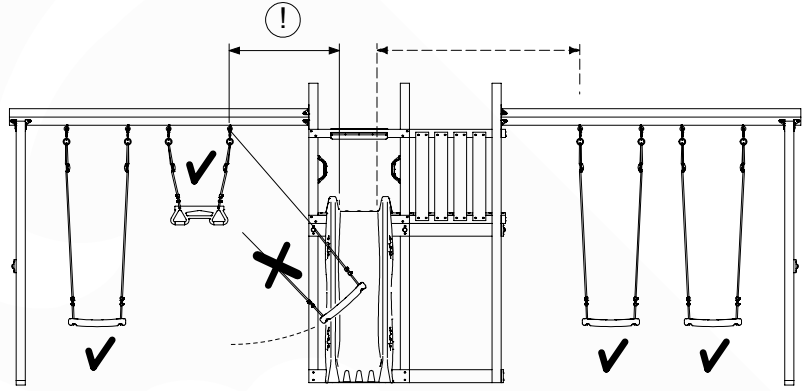
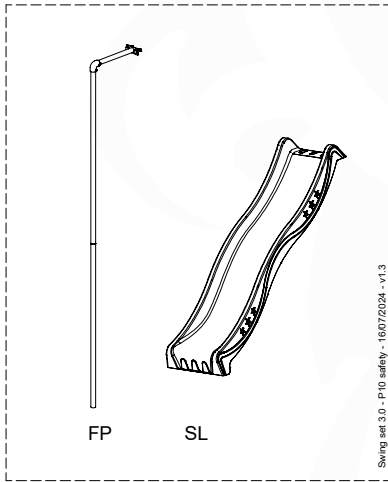
17 SW22a: 2- Swing Module 220 Extra - 3.0

Assembly Kit: 457_103

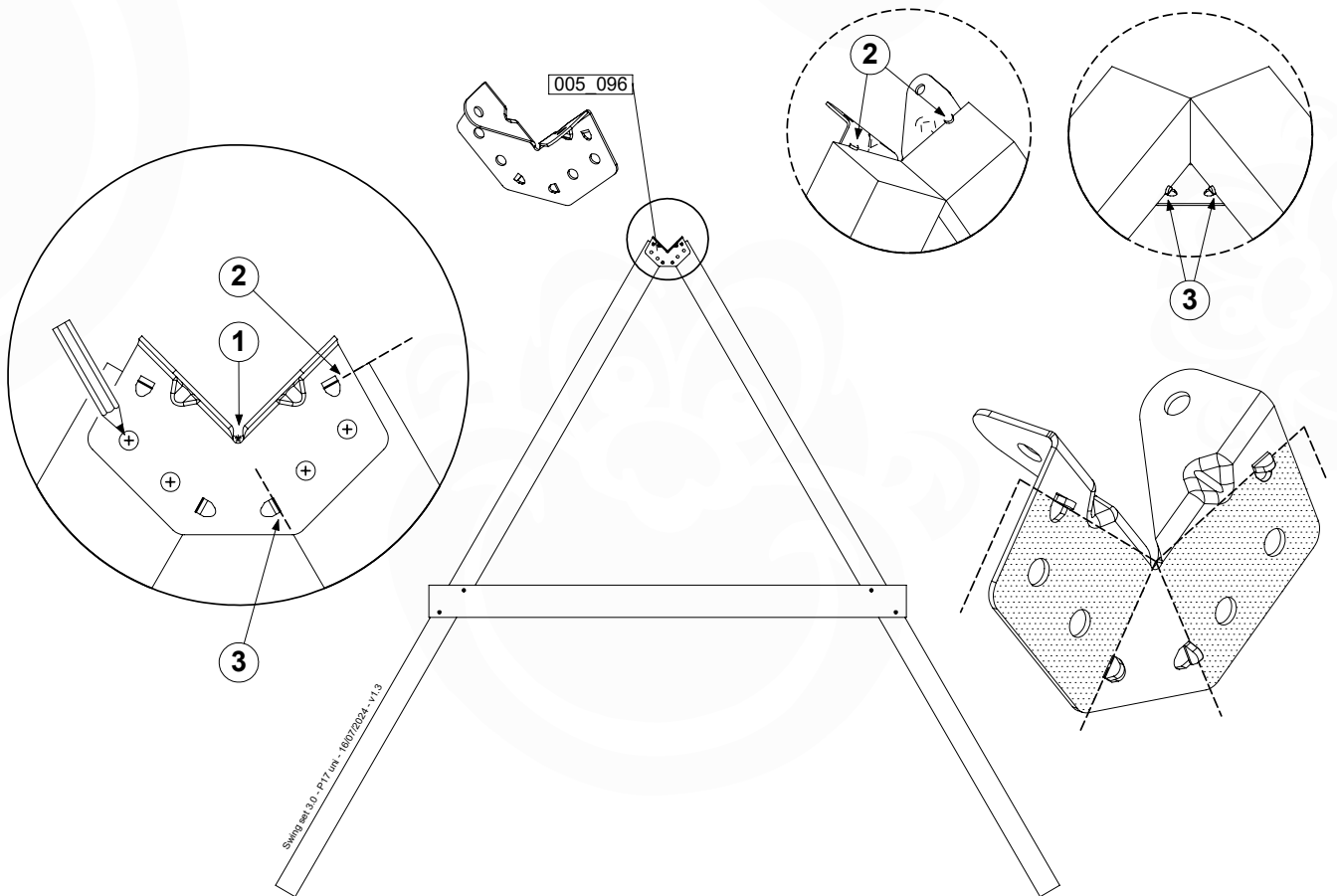
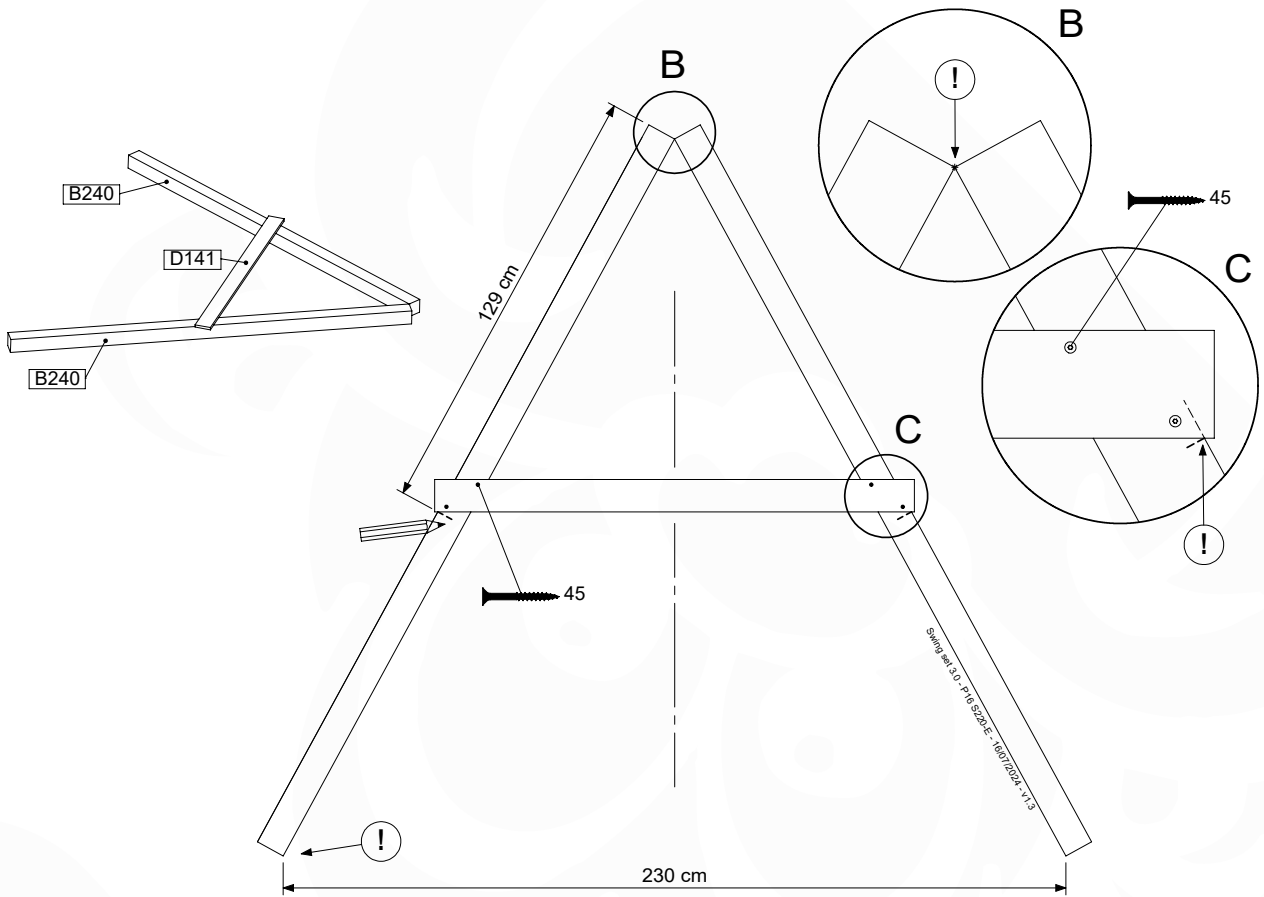
| | PartNo | PartName | QTY. |
|------------------|---------|----------------------------|------|
| Hardware + Parts | 001_404 | Stealth Screw 8x30 | 4 |
| | 001_406 | Stealth Screw 8x45 | 22 |
| | 001_411 | Stealth Screw 8x60 | 2 |
| | 001_417 | Stealth Screw 8x80 | 2 |
| | 002_220 | Gap Point Screw T25 - 5x45 | 8 |
| | 002_223 | Gap Point Screw T25 - 5x80 | 2 |
| | 022_31x | bpc-base version 3 | 2 |
| | 022_84x | bpc cover | 2 |
| | 023_042 | Nylon washer 9x19x1.5 | 20 |
| | 005_096 | A-Frame V-Connector | 2 |
| | 005_097 | Swing V-Connector | 2 |
| | 007_001 | Ground-anchor | 2 |
| | 101_003 | Swing hook with Carabiner | 4 |
| Timber | B240 | Post ca.90x90 L2400 | 3 |
| | D141 | Board 1410 mm | 2 |

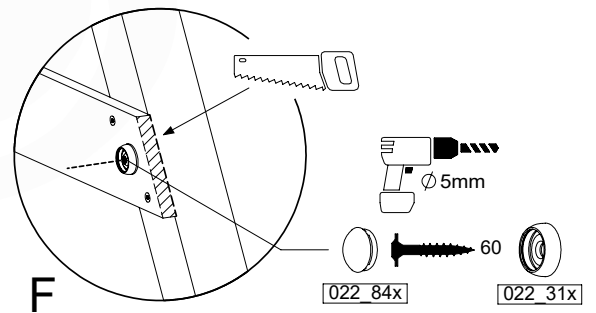
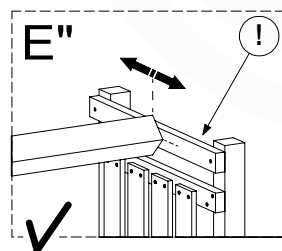
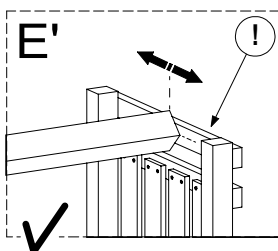
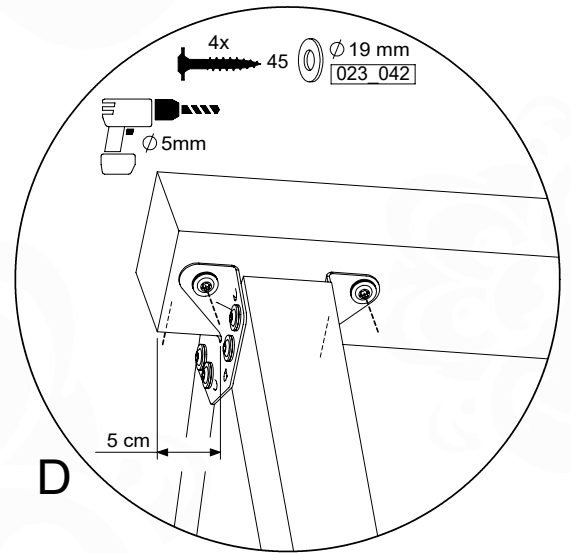
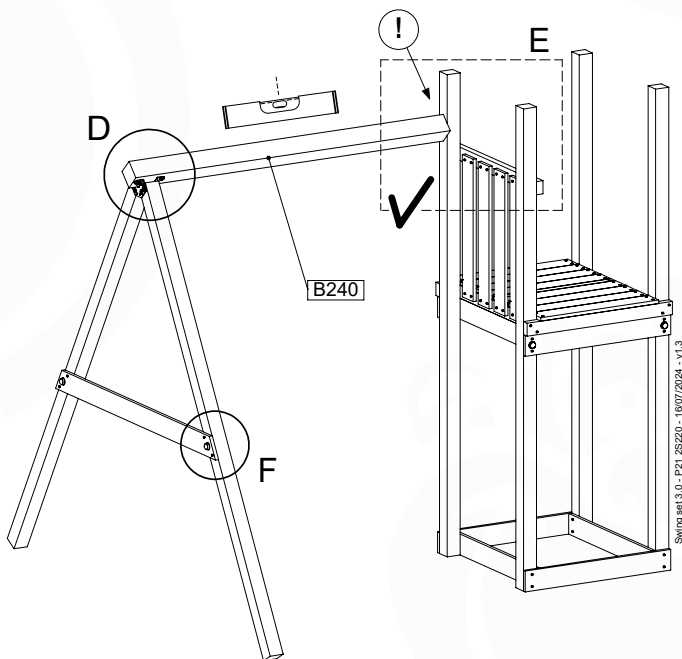
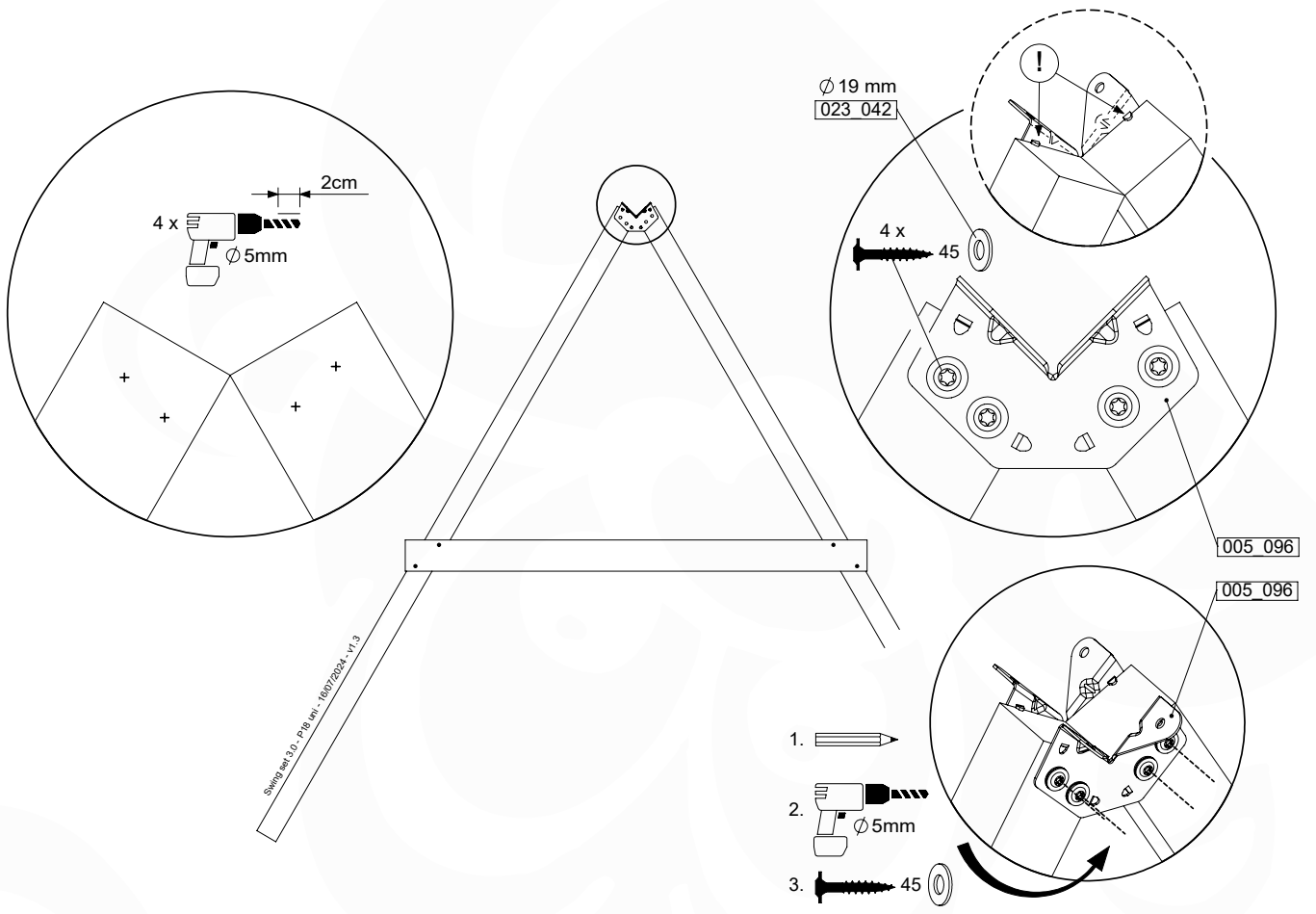
Swing set 3.0 - P02-25220E - 16/07/2024 - v1.3



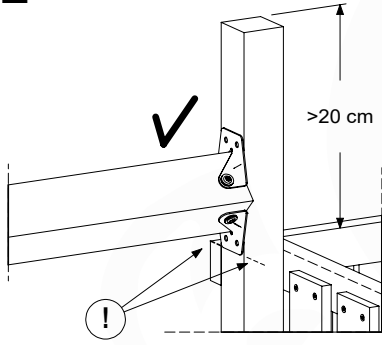


Swing set 3.0 - P13 25220 - 16/07/2024 - v1.3

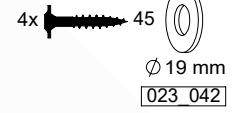
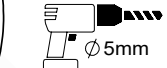
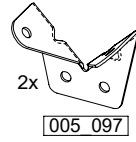
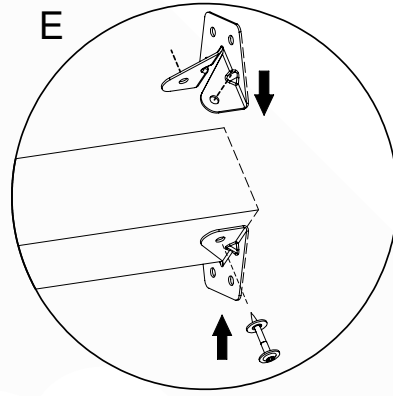




E

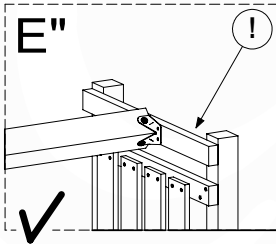
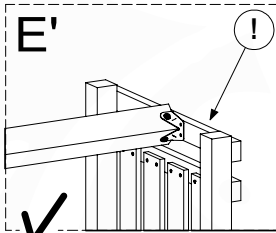
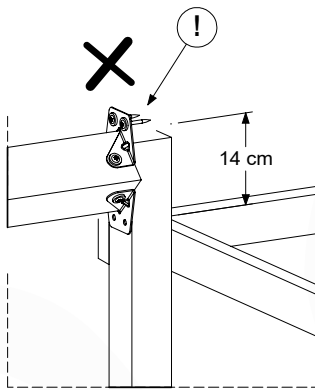


E

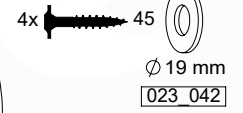
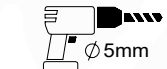
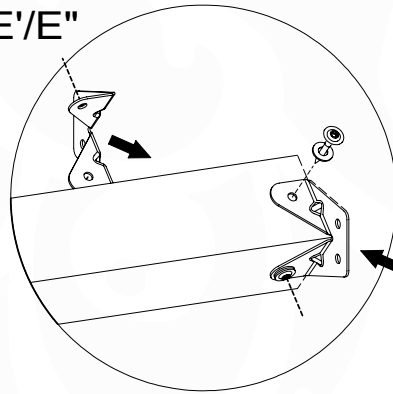


Swing set 3.0 - P22 uni - 16/07/2024 - v1.3

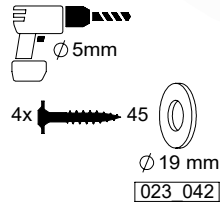
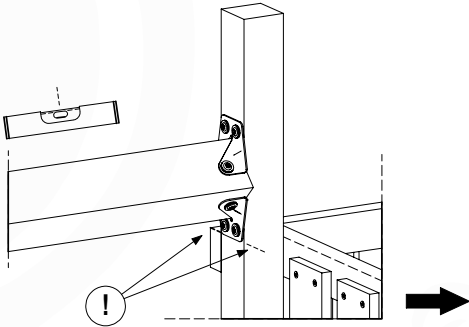
E'/E''



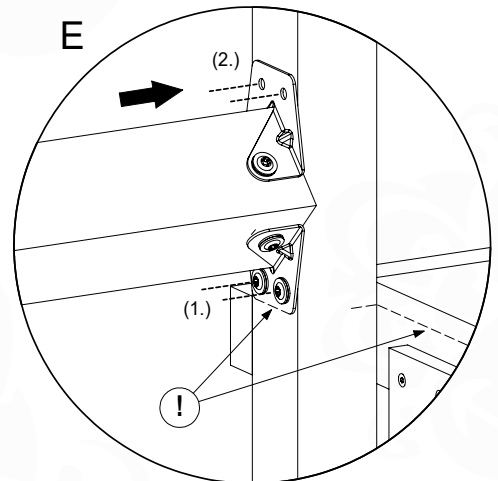
E'/E''



E

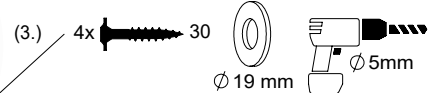
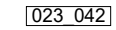
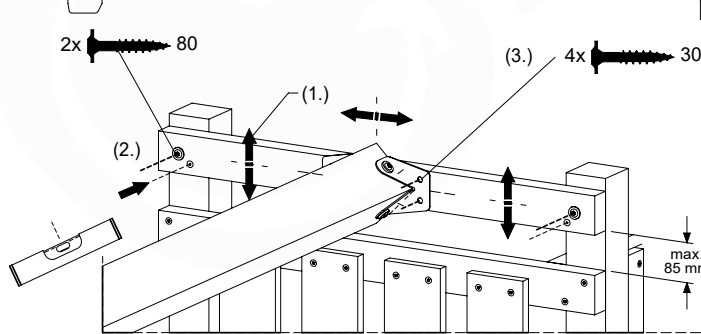
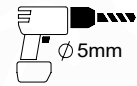
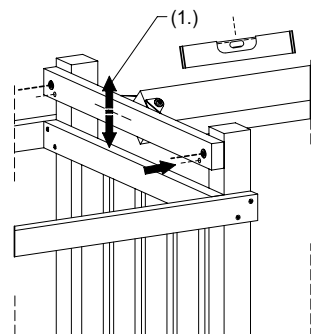


E



Swing set 3.0 - P23 uni - 16/07/2024 - v1.3

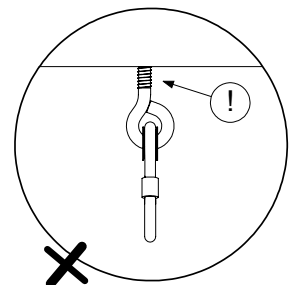
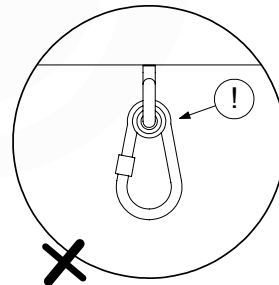
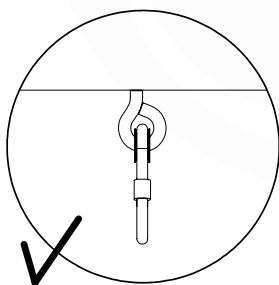
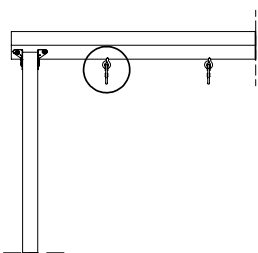
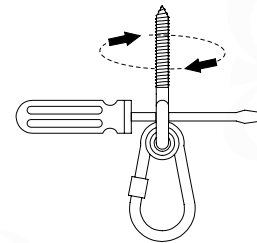
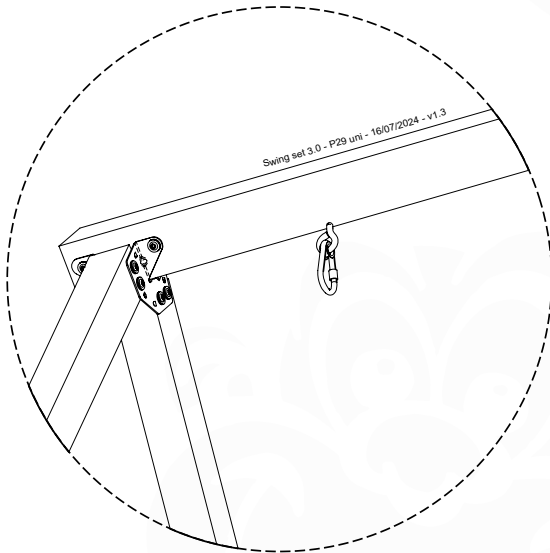
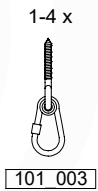
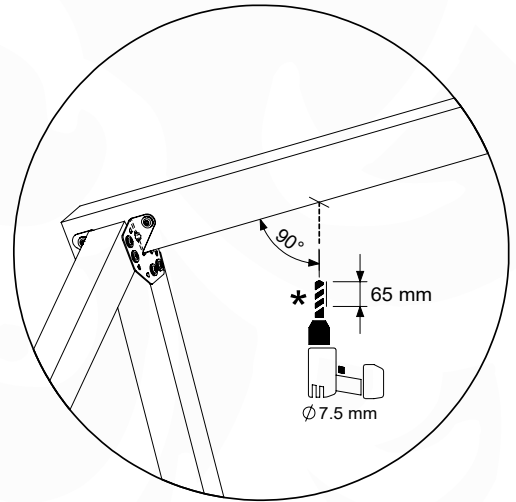
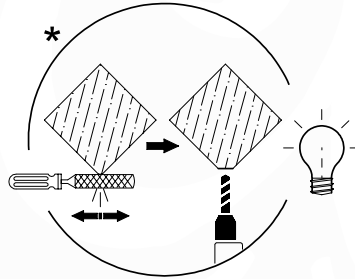
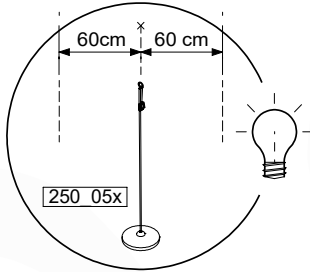
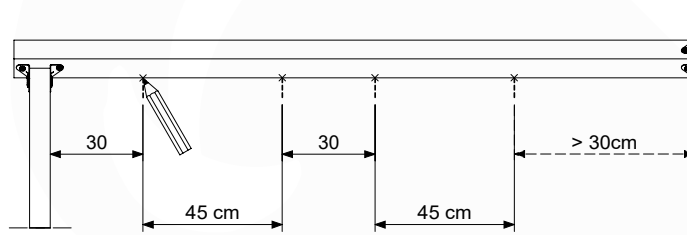
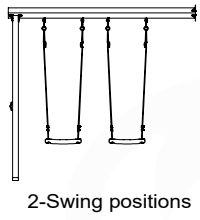
E'/E''

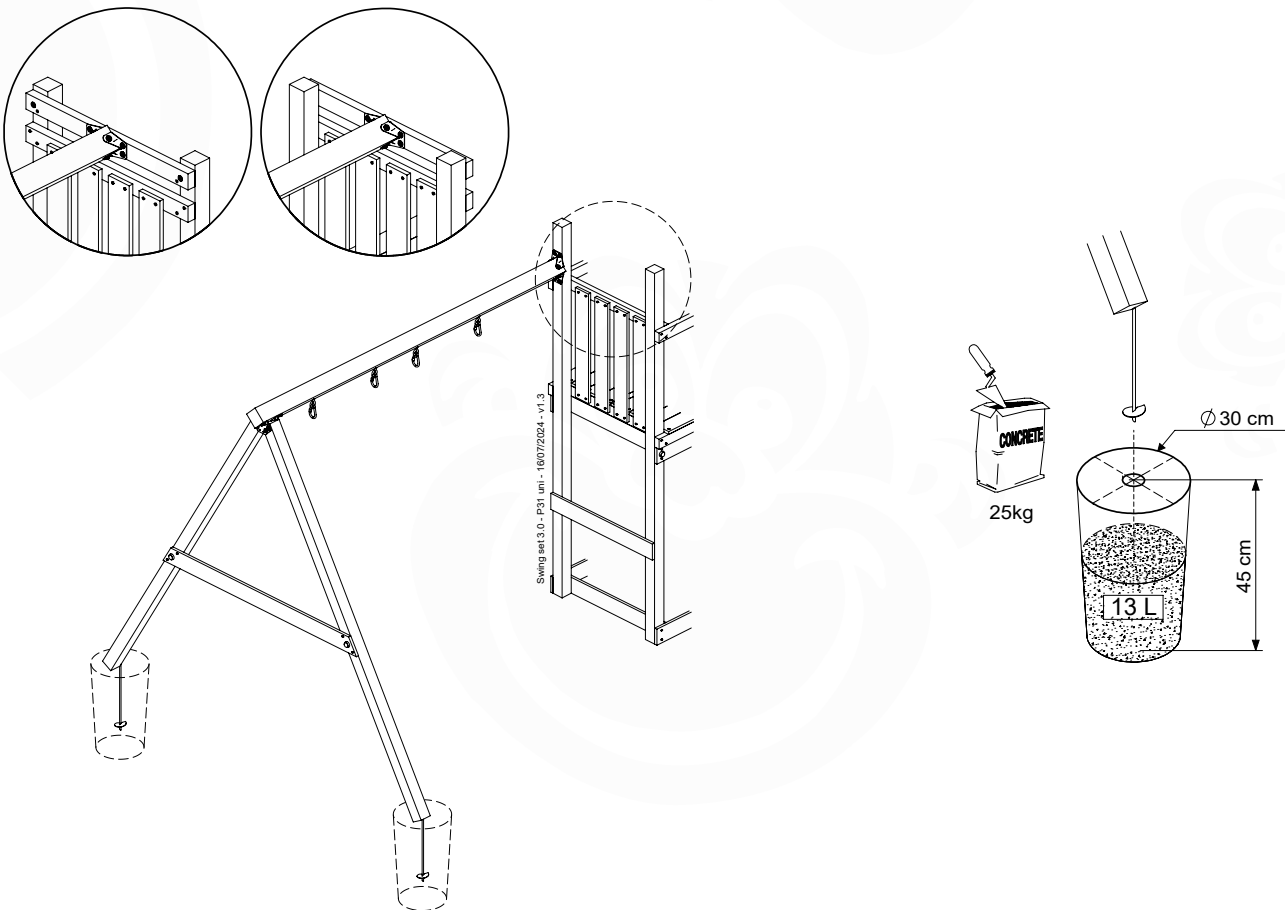
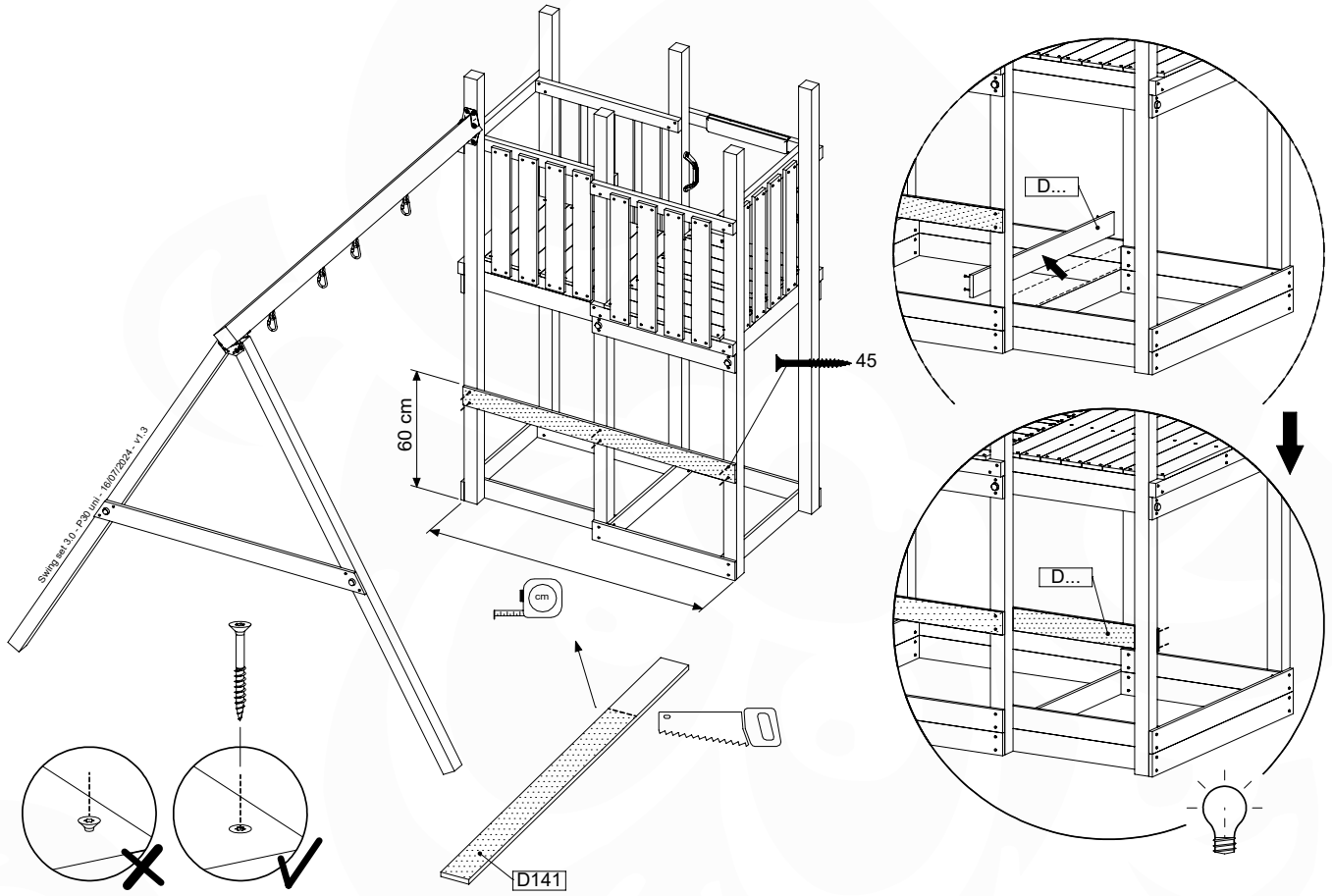


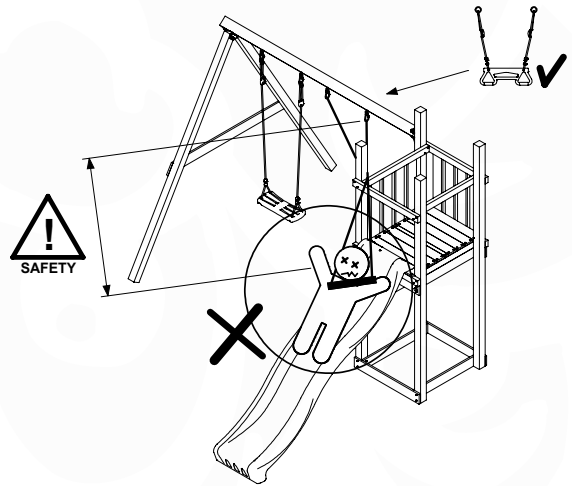
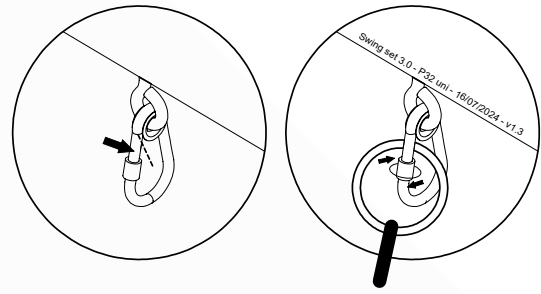
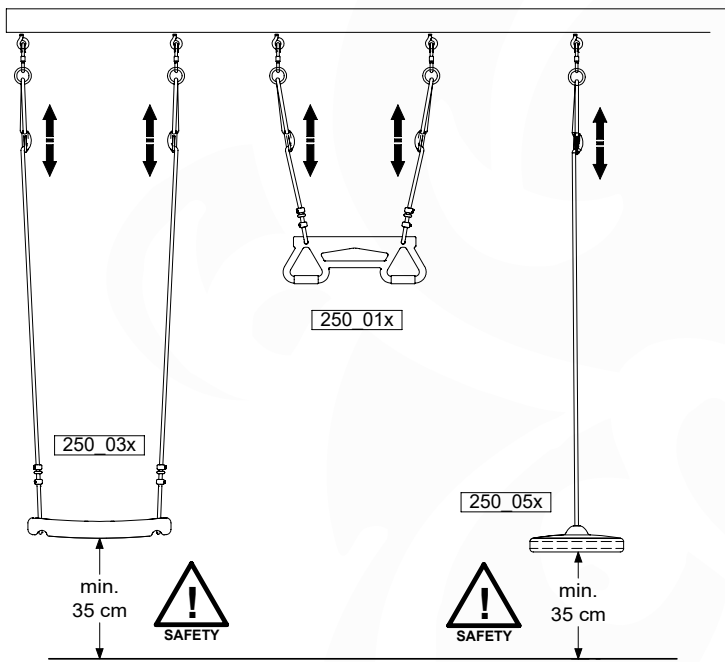
E'

(E'')







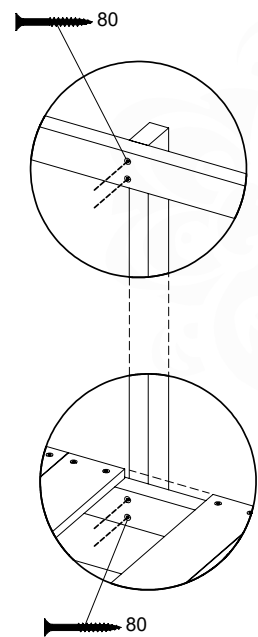
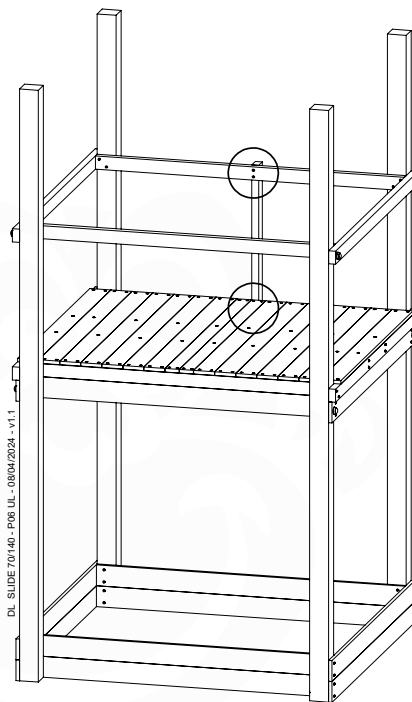
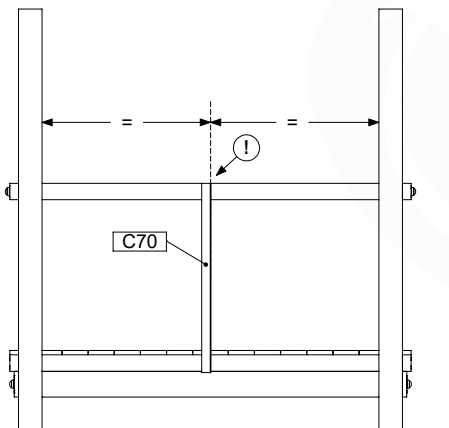
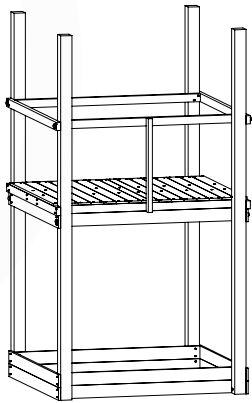
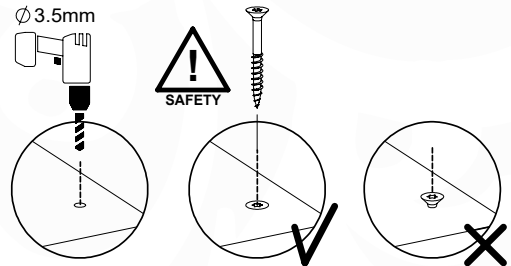
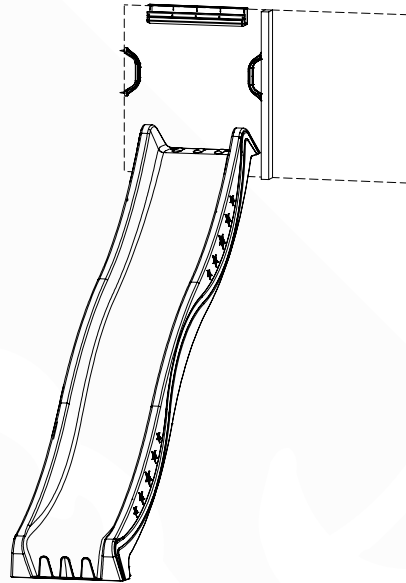


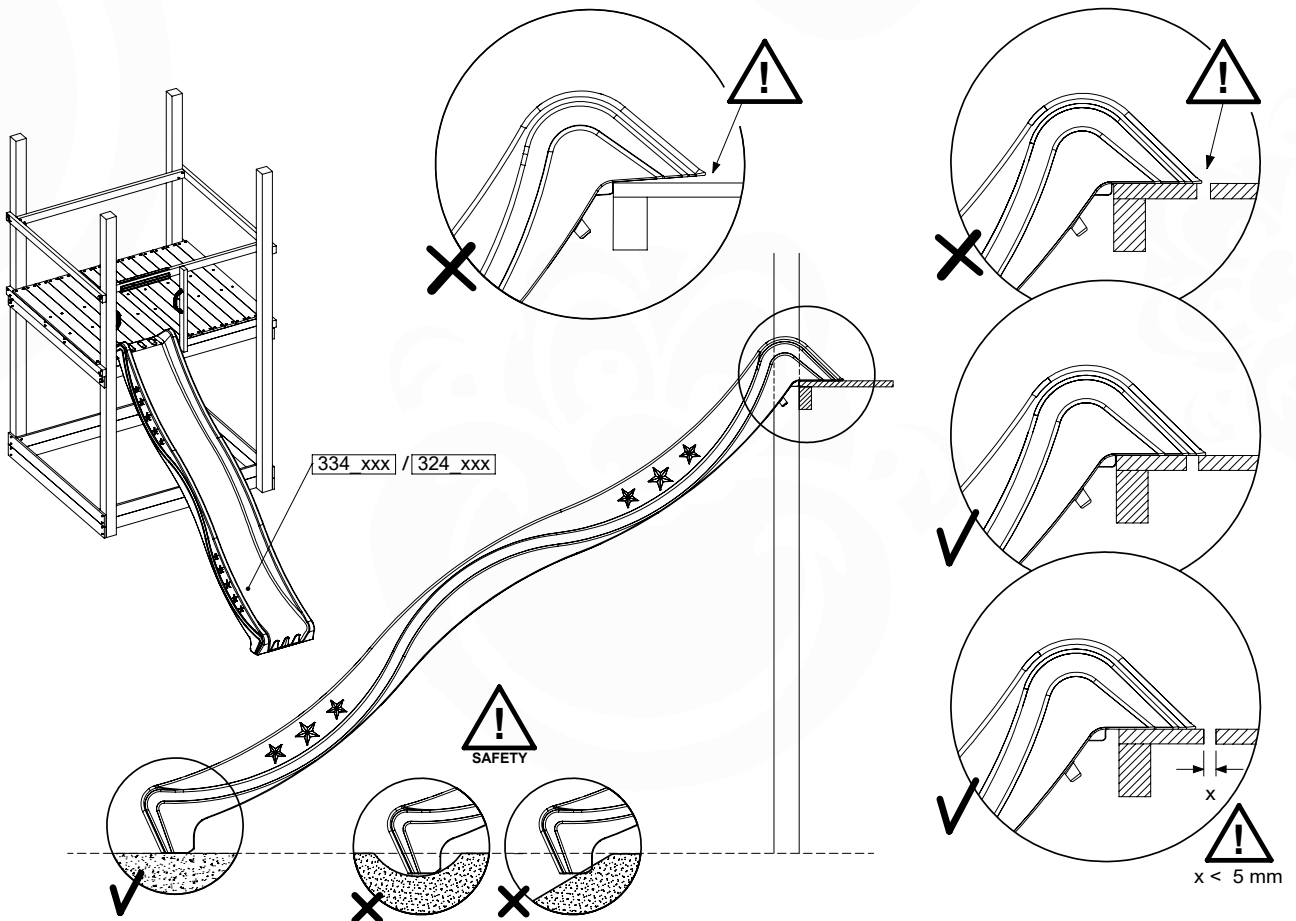
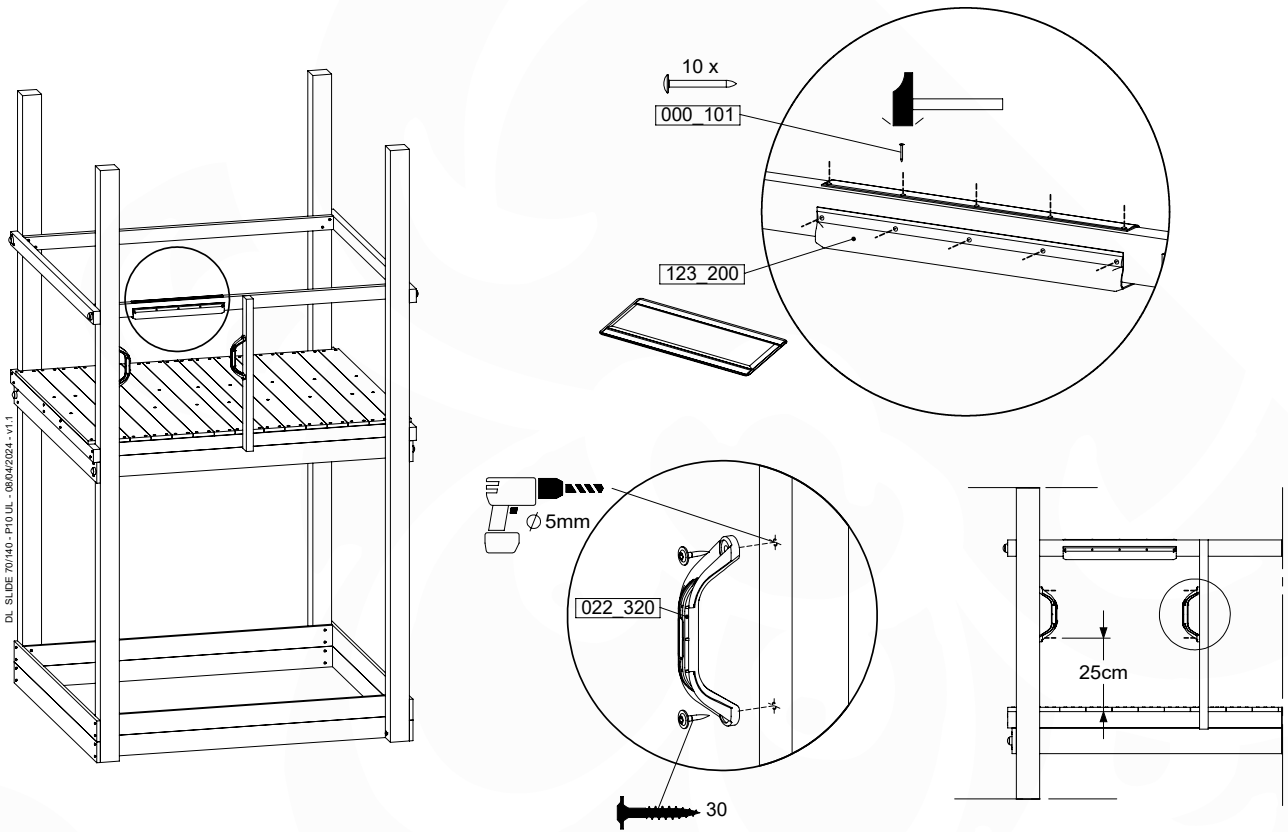
18 SL26a: Slide 140 145 U Left

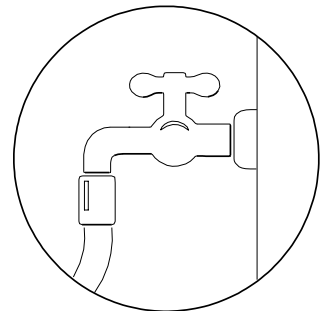
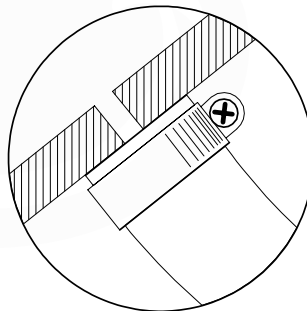
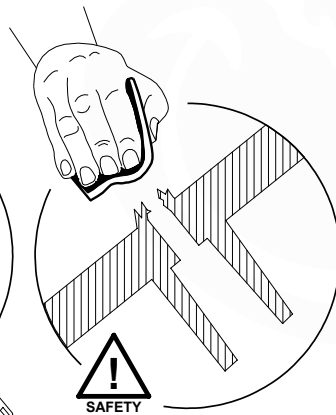
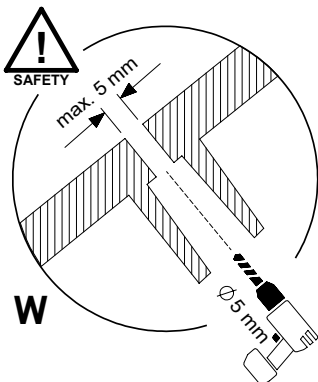
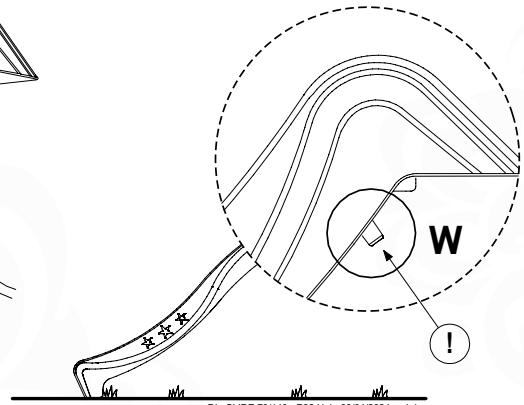
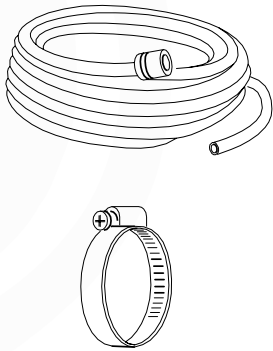
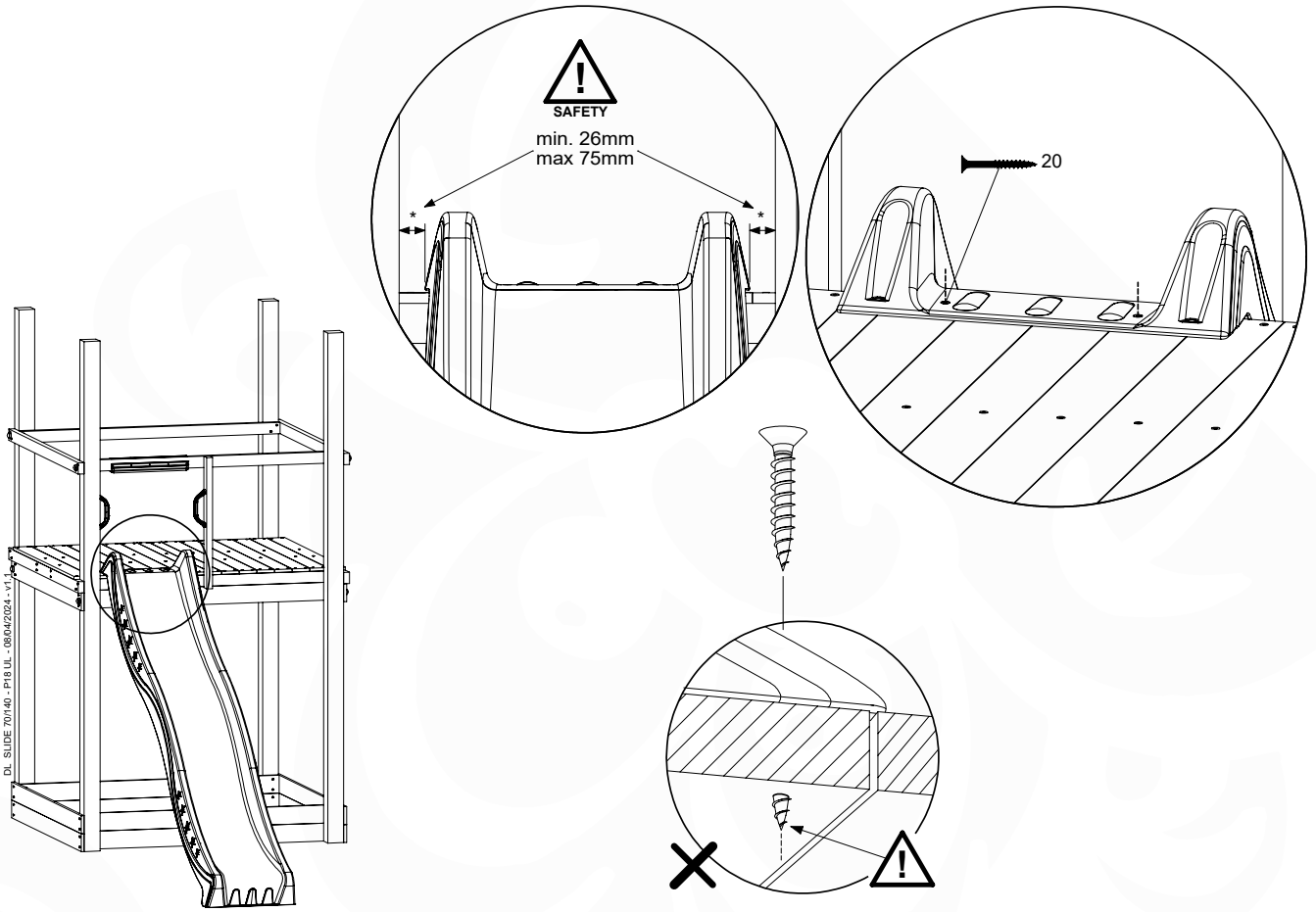
Assembly Pack: 194_107

| | PartNo | PartName | QTY. |
|---------------|-------------------|--|------|
| Hardware pack | 000_101 | Nail Pan Head | 10 |
| | 002_223 | Gap Point Screw T25 - 5x80 | 4 |
| | 002_308 | Gap Point Screw T25 - 5x20 | 2 |
| Other | 120_102 | Handgrip set (complete 2x) | 1 |
| | 123_200 | Bumperpad | 1 |
| | 334_xxx / 324_xxx | Wavy Star Slide XXL 2650 mm / Wavy Star Slide XL 2200 mm | 1 |
| Timber | C70 | Beam 700 mm | 1 |

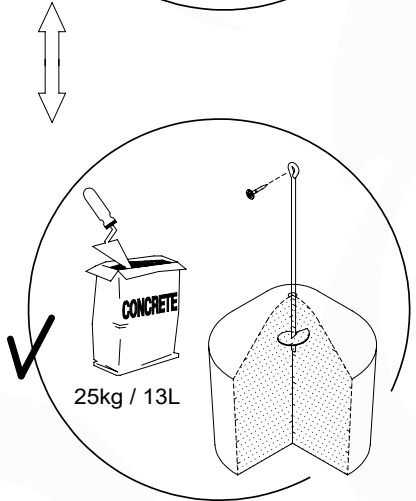
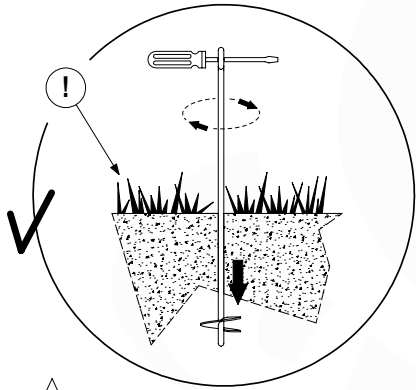
DL_SLIDE 70/140 - P02 UL - 08/04/2024 - v1.1



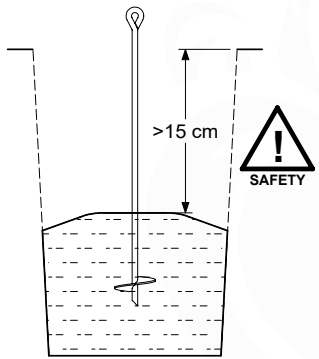
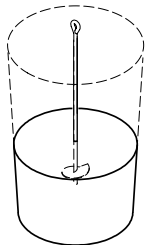
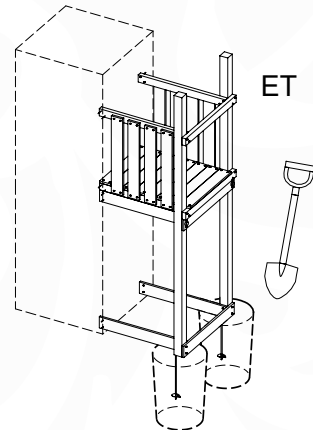
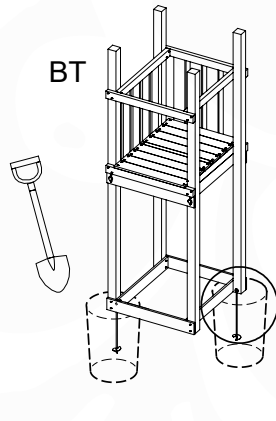
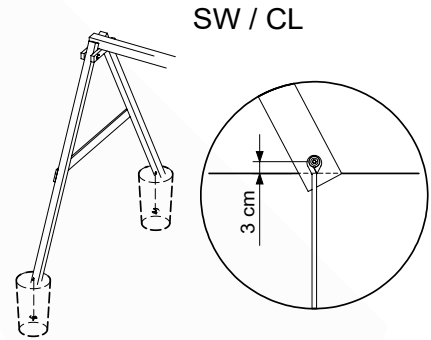
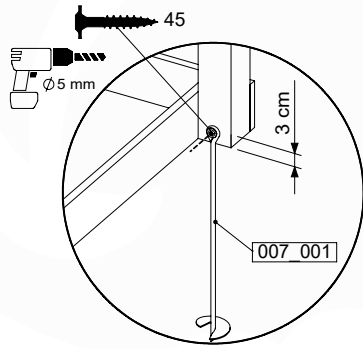




19 GA: Ground Anchors



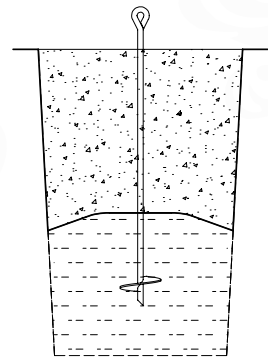
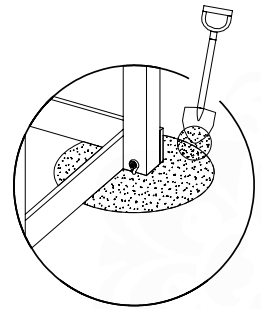
Ground Anchors Uni. - PD3 - 14/06/2024 - v1.5



1.



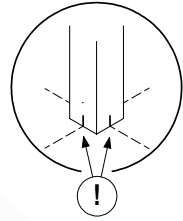
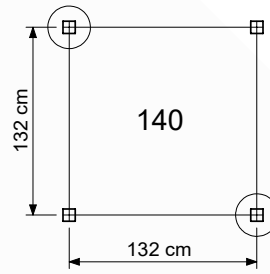
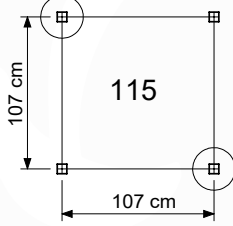
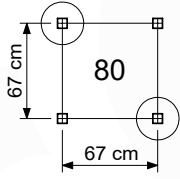
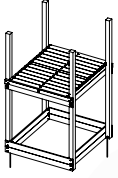
2.



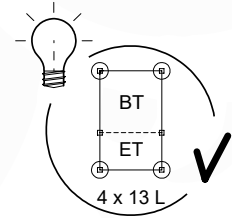
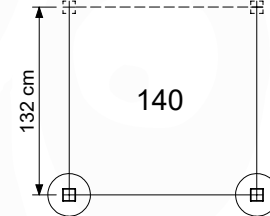
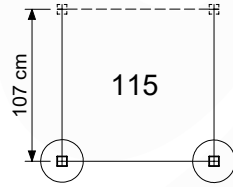
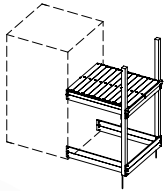
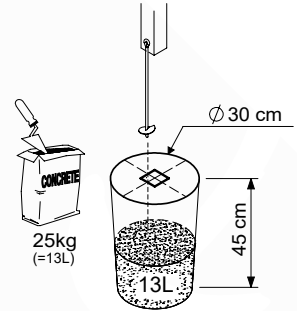
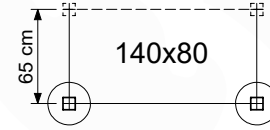
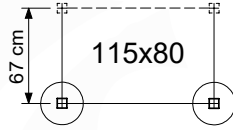
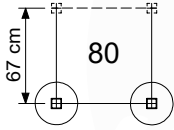
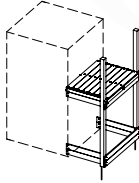
3.

Ground Anchors Uni. - PD4 - 14/06/2024 - v1.5

BASE TOWERS

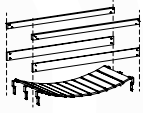


EXTENSION TOWERS

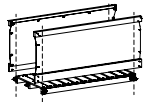


Ground Anchors Uni. - P01 - 14/06/2024 - v1.5

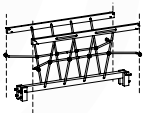
BRIDGES



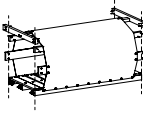
CLATTER



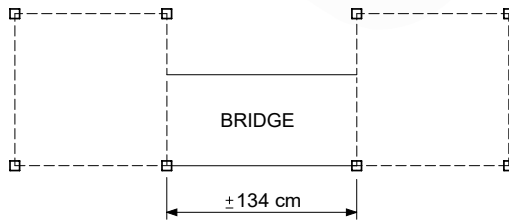
BOARDWALK



NET



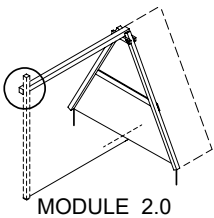
TUNNEL



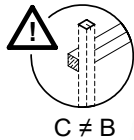
BRIDGE

Ground Anchors Uni. - P02 - 14/06/2024 - v1.5

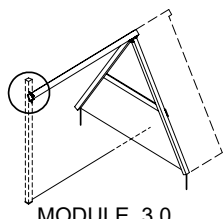
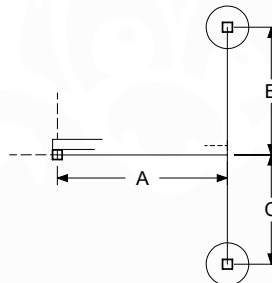
SWING / CLIMB



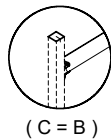
MODULE 2.0



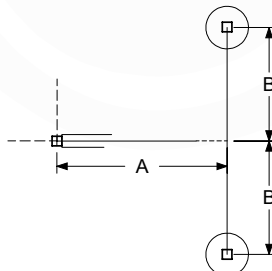
C ≠ B



MODULE 3.0



(C = B)



| MODULE 2.0 | Module type | A | B | C |
|---------------------|-------------|-----|-----|-----|
| | 1-Swing 200 | 150 | 115 | 100 |
| 1-Swing 220 (Extra) | | 120 | 105 | |
| 1-Climb 200 | 142 | | | |
| 2-Climb 200 | 210 | 115 | 100 | |
| 2-Swing 200 | | | | |
| 1-Climb 220 (Extra) | 162 | | | |
| 2-Climb 220 (Extra) | 230 | 120 | 105 | |
| 2-Swing 220 (Extra) | | | | |

cm

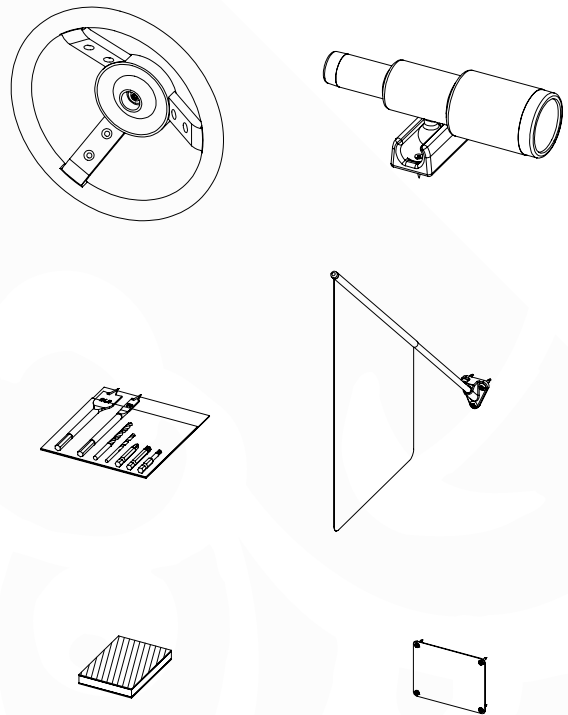
| MODULE 3.0 | Module type | A | B |
|---------------------------|-------------------|-----|-----|
| | 1-Swing 200 - 3.0 | 155 | 110 |
| 1-Swing 220 (Extra) - 3.0 | | 115 | |
| 1-Climb 200 - 3.0 | 148 | | |
| 2-Climb 200 - 3.0 | 222 | 110 | |
| 2-Swing 200 - 3.0 | 215 | | |
| 1-Climb 220 (Extra) - 3.0 | 170 | | |
| 2-Climb 220 (Extra) - 3.0 | 242 | 115 | |
| 2-Swing 220 (Extra) - 3.0 | 235 | | |

cm

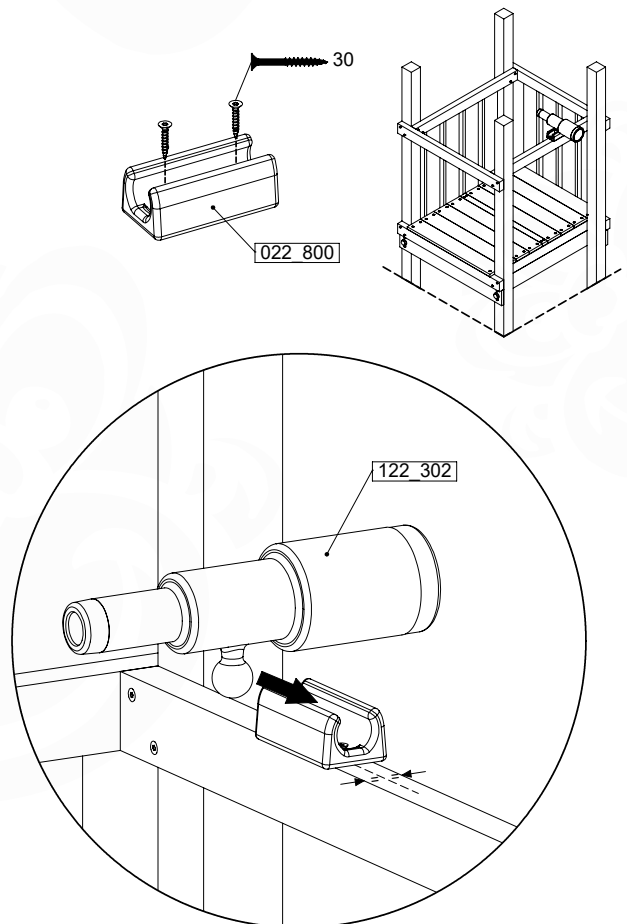
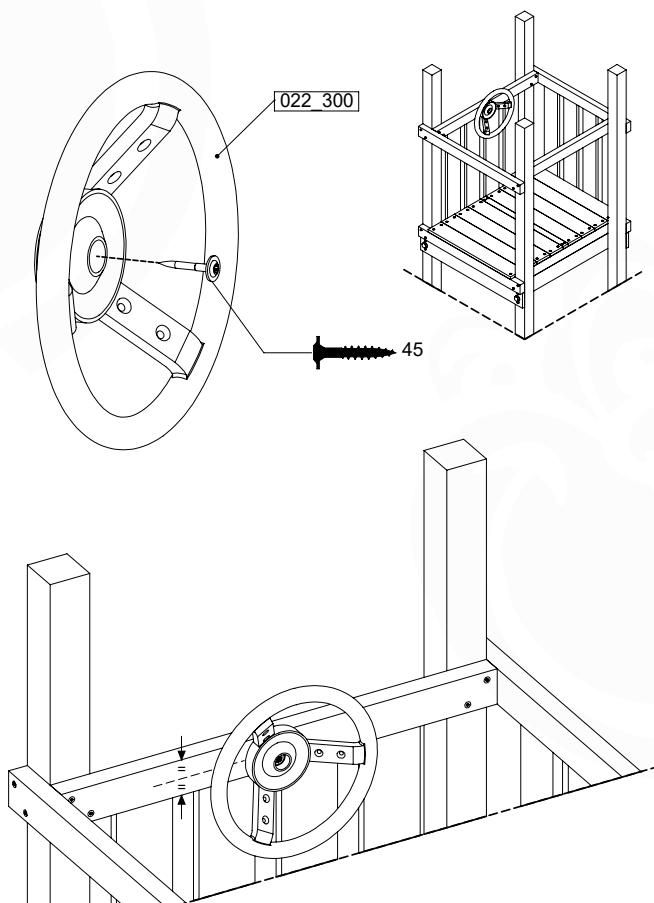
20 AC01a: Accessories

(194_119)

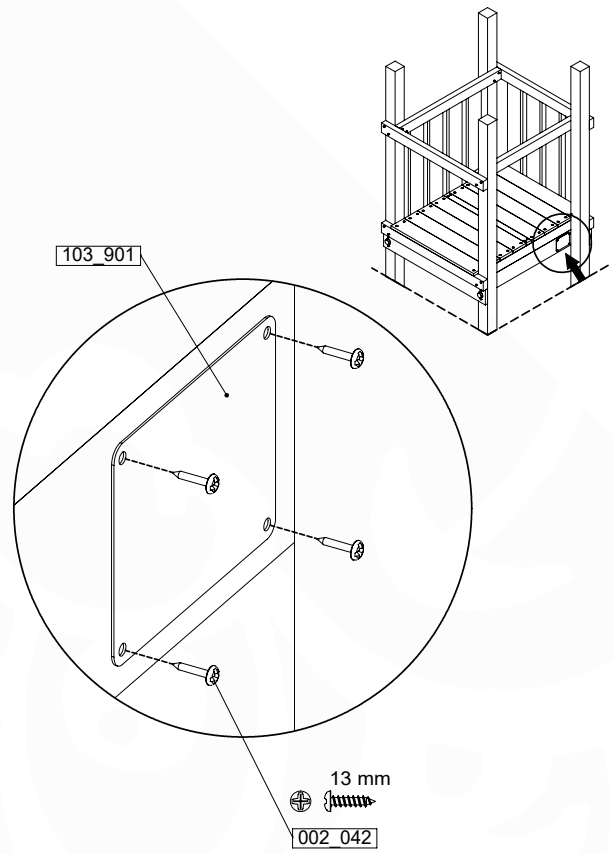
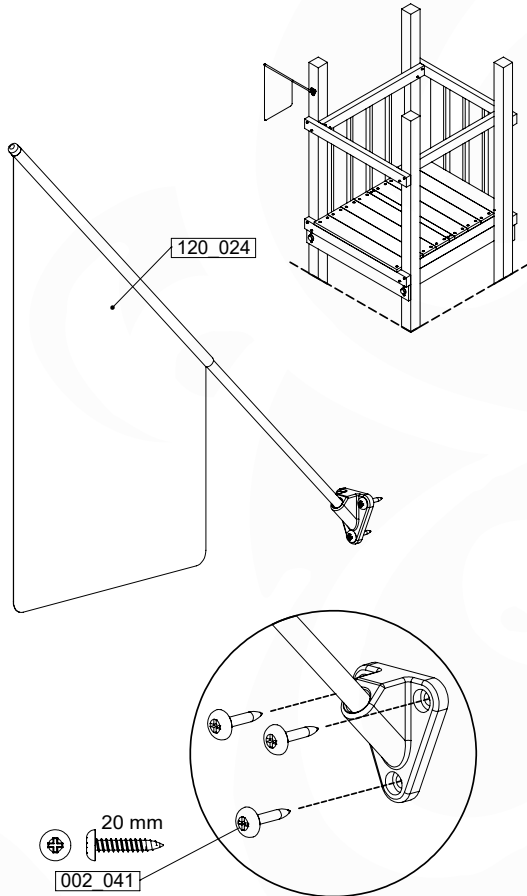
| | PartNo | PartName | QTY. |
|--------------------------|---------|-----------------------------|------|
| Hardware Pack 100_617 | 001_406 | Stealth Screw 8x45 | 1 |
| | 002_041 | Dome head screw 4.5 x 20 mm | 3 |
| | 002_042 | Dome head screw 3.5 x 13mm | 4 |
| | 002_219 | Gap Point Screw T25 - 5x30 | 2 |
| Other | 022_300 | Steering Wheel | 1 |
| | 022_800 | Rail P/T 105 | 1 |
| | 022_910 | Sandpad | 1 |
| | 103_901 | Logo ID Plate | 1 |
| | 104_107 | Tool Set Climbing Units | 1 |
| | 120_024 | Tower Flag | 1 |
| | 122_302 | Telescope | 1 |



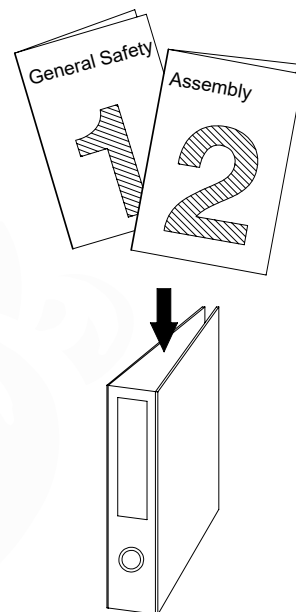
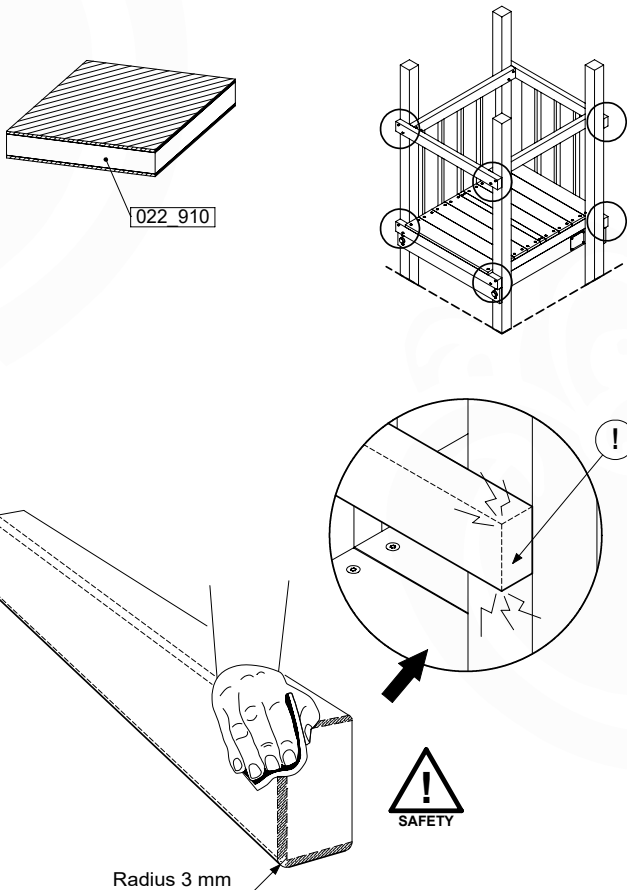
Accessory set - P02 - 24/01/2024 - v5



Accessory set - P03 - 24/01/2024 - v5



Accessory set - P04 - 24/01/2024 - v5



Accessory set - P05 - 24/01/2024 - v5

21 Declaration of conformity

Activity toys for domestic use Aktivitätsspielzeug für den häuslichen Gebrauch Jouets d'activité à usage familial

1. Wooden climbing frames

20240416_v3

1.1. Assemblies

| | |
|------------|---|
| Playtowers | 801_005, 801_009, 801_010, 801_013, 801_025, 801_040, 801_060, 801_070, 801_090, 801_095, 801_100, 801_103, 801_105, 801_110, 801_120, 801_200, 802_202, 802_204, 802_206, 802_208, 803_202, 803_204, 803_206, 803_208, 803_210, 809_802, 809_804 |
| Swings | 801_300, 801_601, 801_602 |
| Modules | 850_176, 850_177, 850_231, 850_232, 857_101, 857_102, 857_105, 857_106, 857_151, 857_152, 857_157, 857_158, 850_240 |

1.2. Sub assemblies

| | |
|--------------------------|--|
| Base towers (BT) | BT01a, BT02a, BT03a, BT11a, BT14a, BT15a, BT20a |
| Extension towers (ET) | ET01a, ET02a, ET05a, ET06a, ET07a, ET08a, ET09a, ET10a, ET11a, ET12a, ET13a, ET14a, ET15a, ET16a, ET17a, ET18a, ET19a, ET20a, ET22a, ET23a, ET27a, ET28a, ET35a, ET29a, ET39a, ET40a |
| Bridges (CB, NB, BB, TB) | CB01a, NB01a, BB01a, BB02a, TB01a, TB02a, TB03a, TB04a |
| Roofs (RF) | RF01a, RF21a, RF02a, RF03a, RF04a, RF05a, RF06a, RF20a, RF02b, RF03b, RF07a, RF08a, RF22a, RF09a, RF23a, RF11a, RF12a, RF07b, RF12b, RF08b, RF22b, RF09b, RF23b, RF11b, RF14a, RF24a, RF15a, RF25a, RF18a, RF18b, RF14b, RF24b, RF15b, RF25b |
| Balustrade (BL, BF) | BL01a, BL02a, BL21a, BF25a, BF26a, BF27a, BF28a, BF01a, BF02a, BF03a, BF04a, BF05a, BF06a, BF07a, BF08a, BF01b, BF02b, BF03b, BF04b, BF05b, BF06b, BF07b, BF08b, BF21a, BF22a, BF23a, BF24a, BF21b, BF22b, BF23b, BF24b |
| Playhouse (PH) | PH03a, PH04a, PH05a, PH06a, PH10a, PH11a, PH40a, PH41a, PH12a, PH13a, PH14a, PH15a, PH42a, PH43a, PH44a, PH45a, PH16a, PH17a, PH18a, PH19a, PH30a, PH31a, PH16b, PH17b, PH18b, PH19b, PH46a, PH47a, PH48a, PH49a, PH16c, PH17c, PH18c, PH19c, PH46b, PH47b, PH48b, PH49b, PH20a, PH21a, PH22a, PH23a, PH24a, PH25a, PH26a, PH27a, PH32a, PH33a, PH52a, PH53a, PH54a, PH55a, PH56a, PH57a, PH50a, PH51a, PH26b, PH27b, PH26c, PH27c, PH56b, PH57b |
| Ladder (LA) | LA05a, LA06a, LA01a, LA02a, LA03a, LA01b, LA02b, LA03b, LA11a, LA12a, LA13a, LA14a, LA15a, LA16a, LA17a, LA18a, LA31a, LA32a, LA33a, LA34a, LA35a, LA36a, LA37a, LA38a, LA21a, LA22a, LA23a, LA24a, LA25a, LA26a, LA43a, LA44a, LA45a, LA46a |
| Two Step Ladder (TS) | TS01a, TS01b, TS02a, TS02b, TS03b, TS22a, TS05a, TS06a, TS07a, TS08a, TS09a, TS10a, TS11a, TS12a, TS15a, TS16a, TS17a, TS18a, TS19a, TS20a, TS21a, TS22a |
| Rope Ladder (RL) | RL01a, RL02a, RL05a, RL06a, RL07a, RL08a, RL09a, RL10a, RL11a, RL12a, RL15a, RL16a, RL19a, RL20a |
| Rock wall (RW) | RW01a, RW02a, RW01b, RW02b, RW03b, RW31a, RW32a, RW33a, RW05a, RW06a, RW07a, RW08a, RW09a, RW10a, RW11a, RW12a, RW40a, RW41a, RW15a, RW16a, RW17a, RW18a, RW19a, RW20a, RW46a, RW47a |
| Ramp (RA) | RA03a, RA04a, RA05a, RA06a, RA07a, RA08a, RA11a, RA12a, RA21a |
| Net (NA, NS) | NA01a, NA02a, NS01a, NS02a, NS03a, NS21a, NA04a, NA05a, NS04a, NS05a, NS06a, NS07a, NA08a, NA09a, NS08a, NS09a |
| Boat (BO) | BO01a |
| Market (MT) | MT01a, MT02a, MT05a, MT06a, MT11a, MT12a |
| Picnic (PC) | PC01a, PC01b, PC05a, PC06a, PC09a, PC10a |
| Gymnastics bar (GY) | GY01a |
| Fireman's pole (FP) | FP01a, FP02a, FP04a, FP05a, FP06a, FP07a, FP23a, FP24a, FP25a, FP26a, FP27a, FP28a |
| Slides (SL) | SL01a, SL02a, SL03a, SL06a, SL07a, SL08a, SL09a, SL10a, SL11a, SL12a, SL13a, SL26a, SL27a, SL28a, SL29a |
| Swing (SM) | SW17a, SW21a, SW18a, SW22a, SW01a, SW05a, SW02a, SW06a, SW09a, SW13a, SW10a, SW14a |
| Climb (CL) | CL17a, CL21a, CL18a, CL22a, CL01a, CL05a, CL02a, CL06a, CL09a, CL13a, CL10a, CL14a |
| Universal Beam (UB) | UB01a, UB04a, UB02a, UB05a, UB03a, UB06a |
| Accessories (AC) | AC30a, AC31a, AC32a, AC33a, AC01a, AC05a, AC07a, AC03a, AC04a, AC06a, AC23a, AC22a, AC24a, AC21a, AC25a, AC02a, AC09a, AC08a, AC10a |

2. Construction packages

2.1 Assembly Kits

| | |
|------------|---|
| Playtowers | 401_015, 401_080, 401_125, 402_201, 402_202, 402_204, 402_206, 402_208, 403_202, 403_204, 403_206, 403_208, 403_210, 409_802, 409_804 |
| Swings | 401_300, 401_600 |
| Modules | 457_005, 457_102, 457_103, 457_106, 457_107, 457_205 |

2.2 Assembly Packs

| | |
|----------------|--|
| Sub assemblies | 194_002, 194_003, 194_004, 194_006, 194_007, 194_008, 194_009, 194_010, 194_100, 194_101, 194_102, 194_103, 194_104, 194_105, 194_107, 194_108, 194_109, 194_110, 194_111, 194_112, 194_113, 194_114, 194_115, 194_116, 194_117, 194_118, 194_119, 194_300, 194_308, 194_312, 194_500, 194_501, 194_508, 194_510, 194_802, 194_804, 194_809, 194_810, 194_811, 194_812 |
|----------------|--|

3. Accessories and components

| | |
|----------------|--|
| Slides XL | 324_100, 324_200, 324_300, 324_400, 324_500, 324_600 |
| Slides XXL | 334_100, 334_200, 334_300, 334_400, 334_500, 334_600 |
| Fireman's pole | 201_275 |
| Climbing | 201_060, 201_273 |
| Imagination | 201_280, 201_285, 201_290, 201_295, 202_473, 450_310, 450_320, 450_330 |
| Swinging | 250_001, 250_013, 250_025, 250_034, 250_053 |
| Functional | 123_220, 123_222, 123_230, 201_115, 201_220, 201_250, 201_260, 201_270, 202_620, 202_621, 202_622, 202_623, 202_624, 202_625, 202_626, 202_627, 202_628, 202_629, 202_824, 250_065, 250_070, 250_075 |

Applicable EU directives and standards

General

- General Product Safety Directive (GPSD) 2001\48\EG
- Reach directive 1907\2006
- AfPS GS 2019:01 PAK

Activity Toys

- Toy Safety Directive (TSD) 2009\48\EG
- EN Standard 71 Safety of Toys
 - EN 71-1:2014 + A1:2018 Safety of toys Mechanical and physical properties
 - EN 71-2:2020 Flammability
 - EN 71-3:2019 + A1:2021 Migration of certain elements
 - EN 71-8:2018 Safety of toys Activity toys for domestic use

Supplementary information

Conformity to the above specified directives and standards has been frequently verified by TÜV Rheinland LGA products, DEKRA, LNE SA, since 1994. Jungle Gym participates in the European Commission for standardisation for the safety of activity toys (TC52/WG10).



EN 71-1,-2, -3, -8 & -9

Manufacturer details

Company Name: Jungle Gym B.V.
Address: Valscherkade 18, 1059 CD Amsterdam, Netherlands
Email: info@junglegym.com

Declaration

I hereby declare under our sole responsibility that the products mentioned above, to which this declaration relates, comply with the above mentioned directives and standards when the installation, assembly, and maintenance instructions are strictly followed.

Name
Mr. P. Schmit / Director

Issued date
Monday 22nd July, 2024

A handwritten signature in blue ink, appearing to read 'P. Schmit', is written over a horizontal line.

Signature of representative

Jungle Gym B.V. | P.O. Box 75083 | 1070 AB Amsterdam | Netherlands | Phone: +31 85 444 41 00 | e-mail: info@junglegym.com | www.junglegym.com