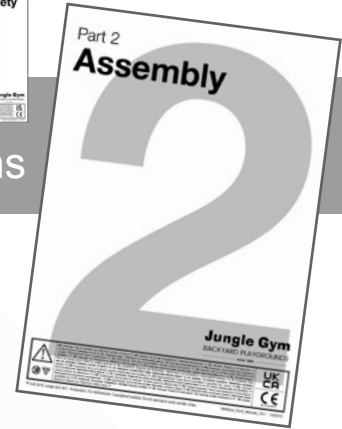


Part 2

Assembly

Instructions

Config ID: 9chsM6
Product Name: Hotel 2-Climb
Product ID: 211560








Watch in 3D



Jungle Gym

BACKYARD PLAYGROUNDS

since 1988

<p>Assembly time 30.0 hours by 2 adults</p> 	 <p>EN. Warnings. Only for domestic use. Maximum number of users is ¹¹. DE. Achtung. Nur für den Hausgebrauch. Maximale Benutzerzahl: ¹¹. FR. Attention. Réserve à un usage familial. Le nombre maximal d'utilisateurs est de ¹¹. NL. Waarschuwingen. Uitsluitend voor huishoudelijk gebruik. Het maximale aantal gebruikers is ¹¹. BG. Внимание. За употреба само в домашни условия. Максималният брой потребители е ¹¹. CS. Varování. Jen pro domácí použití. Maximální počet uživatelů je ¹¹. DA. Advarsler. Kun til privat brug. Maksimum antal brugere er ¹¹. EL. Προειδοποιήσεις. Μόνο για οικιακή χρήση. Μέγιστος αριθμός χρηστών ¹¹. ES. Advertencias. Solo para uso doméstico. Número máximo de usuarios: ¹¹. ET. Hoiatused. Ainult koduseks kasutamiseks. Maksimaalne kasutajate arv on ¹¹. FI. Varoitukset. Ainoastaan kotikäyttöön. Käyttäjää yhteensä enintään ¹¹. HR. Upozorenja. Samo za kućansku uporabu. Maksimalan broj korisnika je ¹¹. HU. Figyelmeztetések. Csak otthoni használatra! A használók max. száma: ¹¹. IS. Varnaðarorð. Eingöngu fyrir einkanothun í heimahúsum og á einkalóðum. Hámarksfjöldi notenda er ¹¹. IT. Avvertenze. Solo per uso domestico. Massimo numero di utenti è ¹¹. LT. Įspėjimai. Tik buitiniam naudojimui. Maksimalus naudotojų skaičius ¹¹. LV. Brīdinājumi. Izmantot tikai mājās. Maksimālais lietotāju skaits ir ¹¹. NO. Advarsler. Kun for privat bruk. Maksimalt antall brukere er ¹¹. PL. Ostrzeżenia. Wyłącznie do użytku domowego. Maksymalna liczba użytkowników to ¹¹. PT. Avisos. Apenas para uso doméstico. O número máximo de utilizadores é ¹¹. RO. Avertismente. Numai pentru uz domestic. Numărul maxim de utilizatori este ¹¹. RU. Предостережения. Только для домашнего использования. Максимальное количество пользователей - ¹¹. SK. Upozornenia. Iba na domáce použitie. Maximálne množstvo osôb je ¹¹. SL. Opozorila. Samo za domačo uporabo. Maksimalno število uporabnikov je ¹¹. SR. Upozorenja. Samo za kućnu upotrebu. Maksimalan broj korisnika je ¹¹. SV. Varningar. Endast för hemmabruk. Det maximala antalet användare är ¹¹. TR. Uyarılar. Sadece ev kullanımı için. Maksimum kullanıcı sayısı ¹¹.</p>	 EN 71-1,2,3,6-9  
--	--	--

1 Helpdesk JungleGym

FAQ & Support



English



Deutsch



Français



Nederlands



info@junglegym.com



EU 0031 85 44 44 100

AT 0043 72 08 153 33

BE 0032 78 48 16 19

CH 0041 43 50 87 350

DE 0049 32 22 10 98 299

ES 0034 657 76 64 25

FR 0033 97 75 58 222

IE 0035 38 1800 0300

LU 0035 22 08 80 512

NL 0031 85 44 44 102

UK 0044 20 369 505 53

Monday-Friday,

CET 9:00am - 5:00pm

Local phone charges may apply.

2 Start

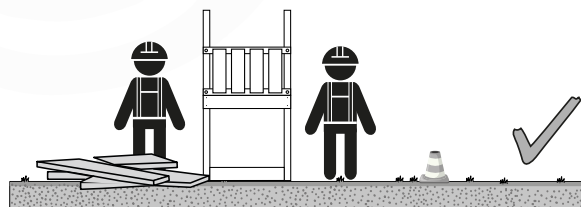
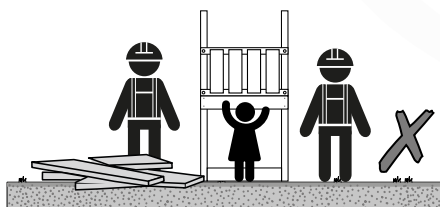
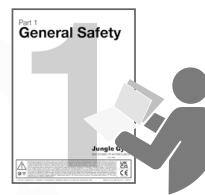
2.1 Safety



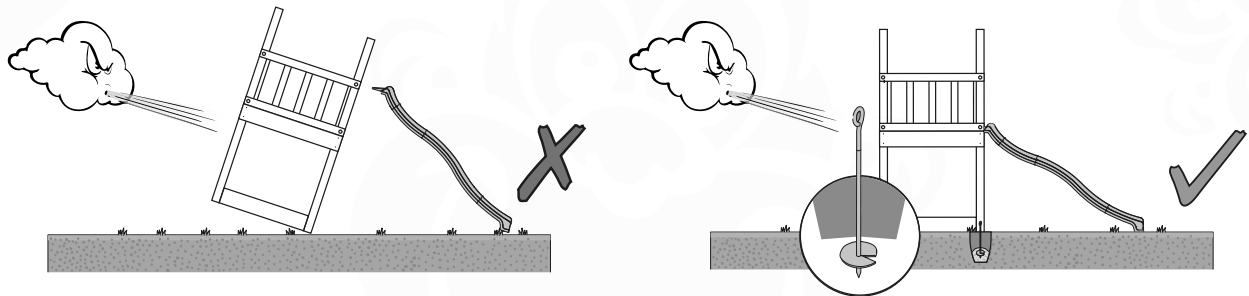
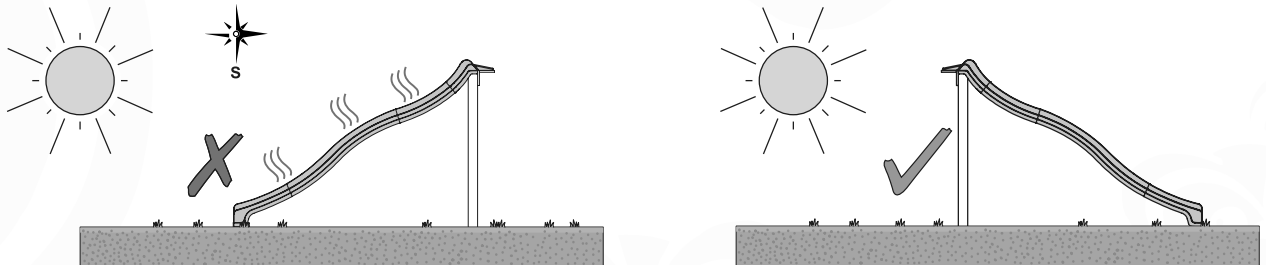
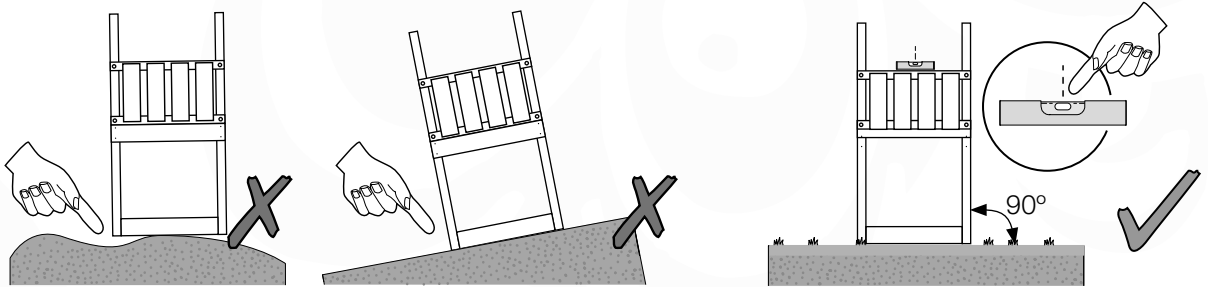
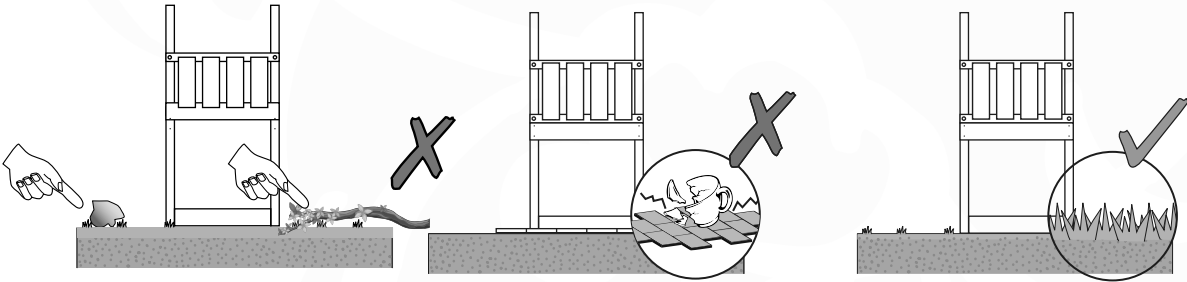
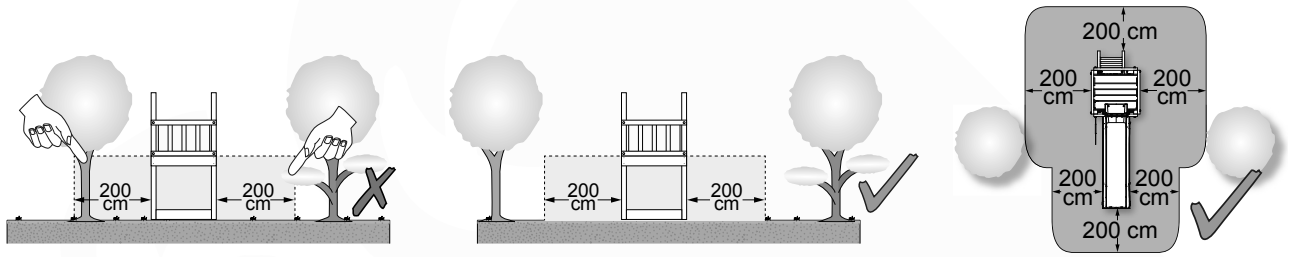
Download

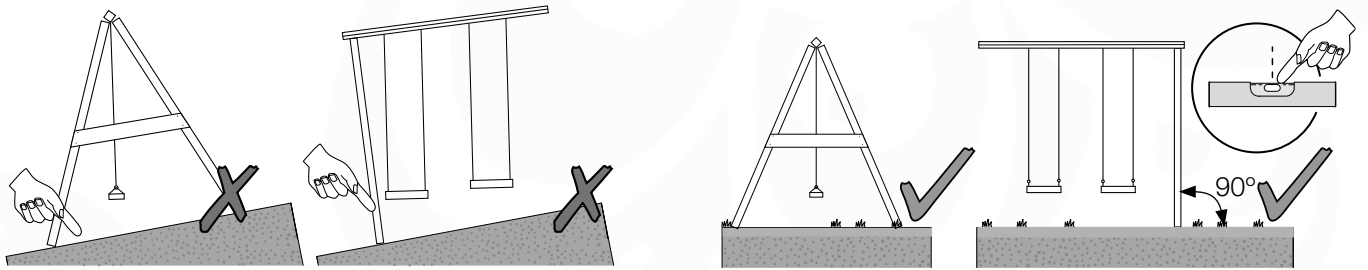
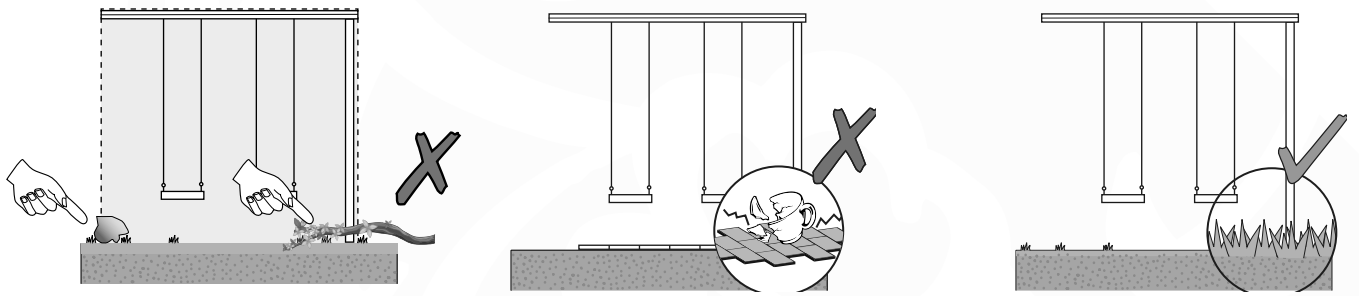
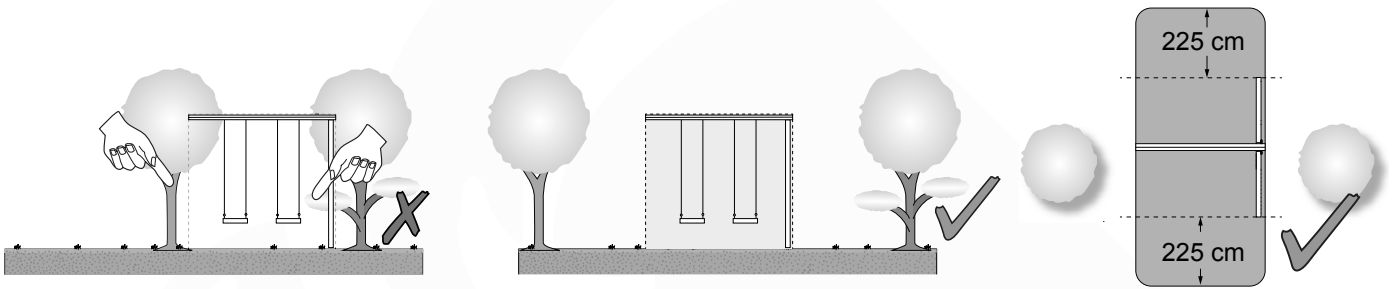


Part 1

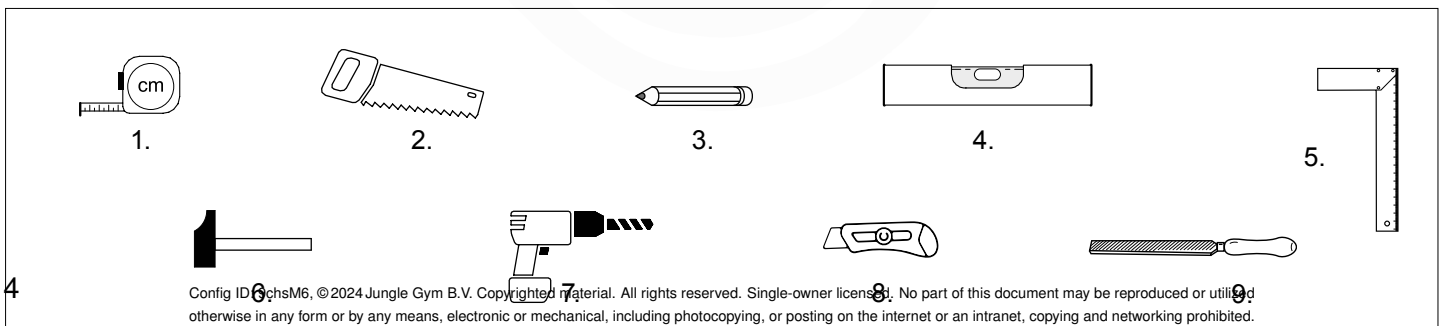


2.2 Planning

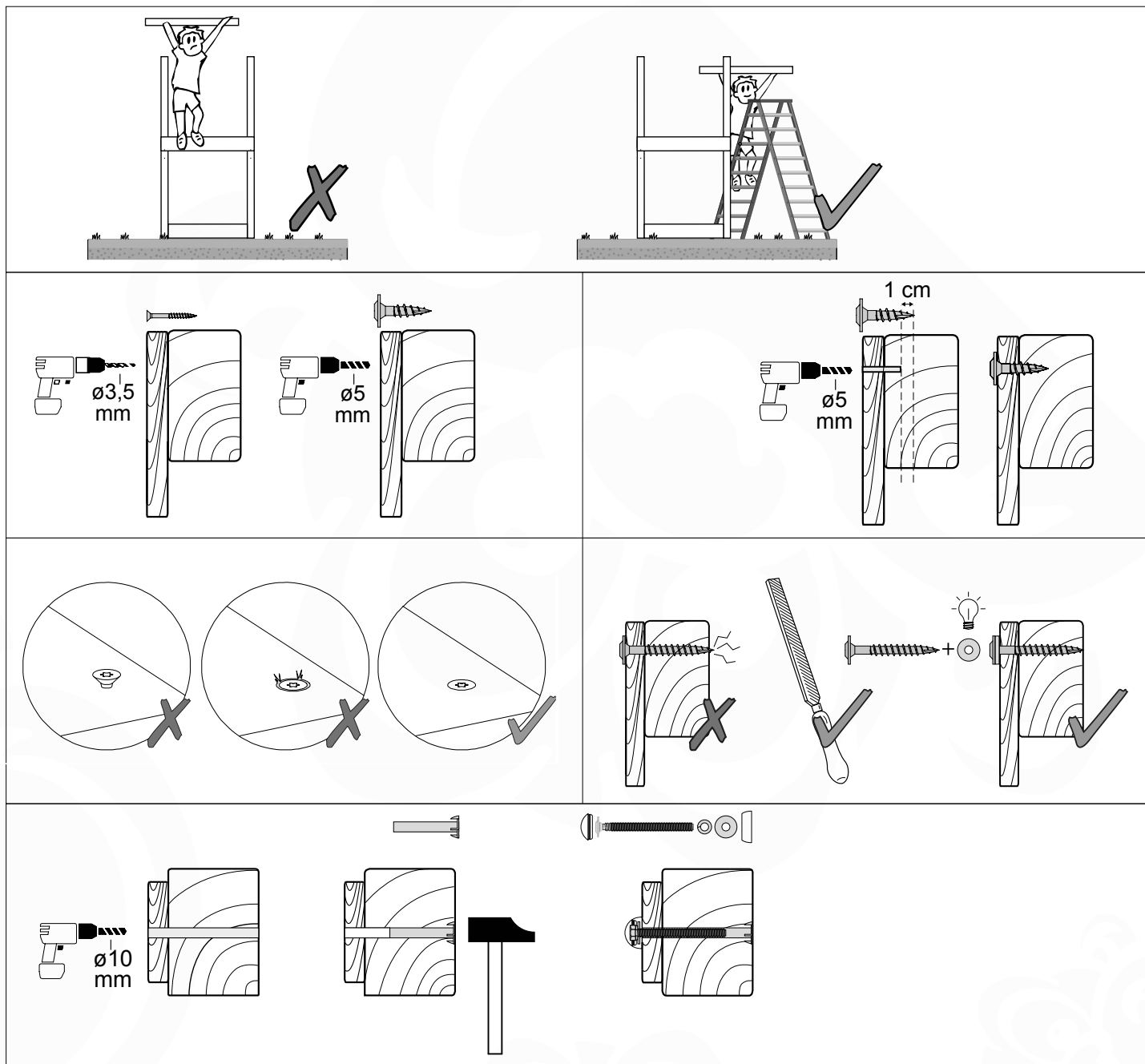




2.3 Tools



2.4 Assembly



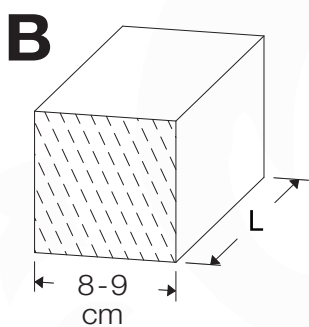
3 Overview

3.1 Order specification

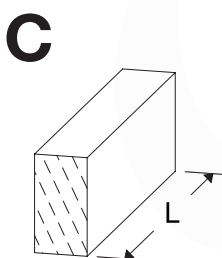


#	Description	Supplier ID	Assembly ID
1	Base Tower 140_270270_145	794_001	BT20a
4	Extension Tower 140140_220_145	794_107	ET39a
1	Roof Timber Gable 140	794_202	RF14a
2	Balustrade 140_ U	794_301	BL05a
3	Balustrade 140_ T	794_301	BL06a
1	Balustrade 70/140_ U L	794_302	BL07a
2	Balustrade 70/140_ U R	794_302	BL08a
1	Balustrade 70/140_ T L	794_302	BL09a
1	Balustrade 70/140_ T R	794_302	BL10a
1	Playhouse 140 U L Entrance	794_312	PH22a
1	Playhouse 140 U R Entrance	794_312	PH23a
2	Playhouse 140 T Window	794_313	PH27a
1	Playhouse 140 Roof 90 set	794_314	PH32a
1	Playhouse 140 U-Low Wall	794_317	PH50a
2	Playhouse 140 U L-Low Entrance	794_315	PH52a
3	Playhouse 140 T-Low Window	794_316	PH57a
1	Rock wall 140_145 U Playhouse	794_407	RW46a
1	TwoStep Ladder 70/140_145 U L	794_412	TS17a
1	Market 140 T	794_502	MT12a
1	Picnic 140 T	794_503	PC10a
1	Slide Frame 70/140145 U L	794_901	SL26a
1	Fireman's pole 70/140_145 U R	794_911	FP26a
1	2- Climb Module 220_Extra 3.1	750_236	CL23a
1	Accessories Set	194_119	AC01a
5	Accessories Blue Shutters	250_075	AC02a
1	Accessories Talking Tube	450_330	AC10a
2	Accessories Swing Seat	250_034	AC21a
1	Wavy Star Slide XXL	334_x00a	334_x00a

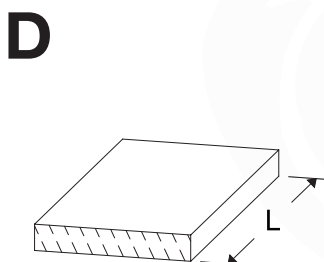
3.2 Timber parts



B74	73 cm - 74 cm	1
B220	219 cm - 220 cm	8
B240	239 cm - 240 cm	5
B270	269 cm - 270 cm	4



C37	36 cm - 37 cm	5
C62	61 cm - 62 cm	4
C70	69 cm - 70 cm	8
C74	73 cm - 74 cm	10
C84	83 cm - 84 cm	8
C96	85 cm - 96 cm	8
C108	107 cm - 108 cm	2
C114	113 cm - 114 cm	2
C123	122 cm - 123 cm	2
C130	129 cm - 130 cm	4
C141	140 cm - 141 cm	43
C206	205 cm - 206 cm	1



D47	46 cm - 47 cm	41
D65	64 cm - 65 cm	51
D74	73 cm - 74 cm	46
D100	99 cm - 100 cm	2
D123	122 cm - 123 cm	96
D141	140 cm - 141 cm	141
D154	153 cm - 154 cm	28

4.3 Assembly packs



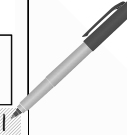
Example

Accessory Set

AC

194_119

LOT: 2 5 1 1



<p>Shutters 2x Blue</p> <p>AC</p> <p>250_075</p> <p>5x</p> <p>LOT: [][][][]</p>	<p>Window Hardware / Roof 140</p> <p>RF PH</p> <p>194_508</p> <p>4x</p> <p>LOT: [][][][]</p>	<p>Fireman's Pole</p> <p>FP</p> <p>201_275</p> <p>1x</p> <p>LOT: [][][][]</p>	<p>Hardware 01</p> <p>BL H01</p> <p>194_101</p> <p>5x</p> <p>LOT: [][][][]</p>	<p>Slide Frame</p> <p>SL</p> <p>194_107</p> <p>1x</p> <p>LOT: [][][][]</p>
<p>Talking Tube</p> <p>AC</p> <p>450_330</p> <p>1x</p> <p>LOT: [][][][]</p>	<p>Hardware 10</p> <p>H10</p> <p>194_810</p> <p>1x</p> <p>LOT: [][][][]</p>	<p>Canvas 136 x 74cm</p> <p>123_220</p> <p>2x</p> <p>LOT: [][][][]</p>	<p>Swing Seat</p> <p>AC</p> <p>250_034</p> <p>2x</p> <p>LOT: [][][][]</p>	<p>Two Step Ladder</p> <p>TS</p> <p>194_002</p> <p>1x</p> <p>LOT: [][][][]</p>
<p>Hardware 09</p> <p>H09</p> <p>194_809</p> <p>5x</p> <p>LOT: [][][][]</p>	<p>Slide XXL 2.6m</p> <p>334_x00</p> <p>1x</p> <p>LOT: [][][][]</p>	<p>Tower 140</p> <p>BT ET</p> <p>194_500</p> <p>5x</p> <p>LOT: [][][][]</p>	<p>Hardware 11</p> <p>H11</p> <p>194_811</p> <p>1x</p> <p>LOT: [][][][]</p>	<p>Rock Wall</p> <p>RW</p> <p>194_006</p> <p>2x</p> <p>LOT: [][][][]</p>
<p>Climb Module Kit</p> <p>CL</p> <p>457_107</p> <p>1x</p> <p>LOT: [][][][]</p>	<p>Accessory Set</p> <p>AC</p> <p>194_119</p> <p>1x</p> <p>LOT: [][][][]</p>	<p>Balustrade 140</p> <p>BL</p> <p>194_501</p> <p>6x</p> <p>LOT: [][][][]</p>	<p>Playhouse Panel</p> <p>PH</p> <p>194_118</p> <p>2x</p> <p>LOT: [][][][]</p>	

4.4 Your config ID: 9chsM6

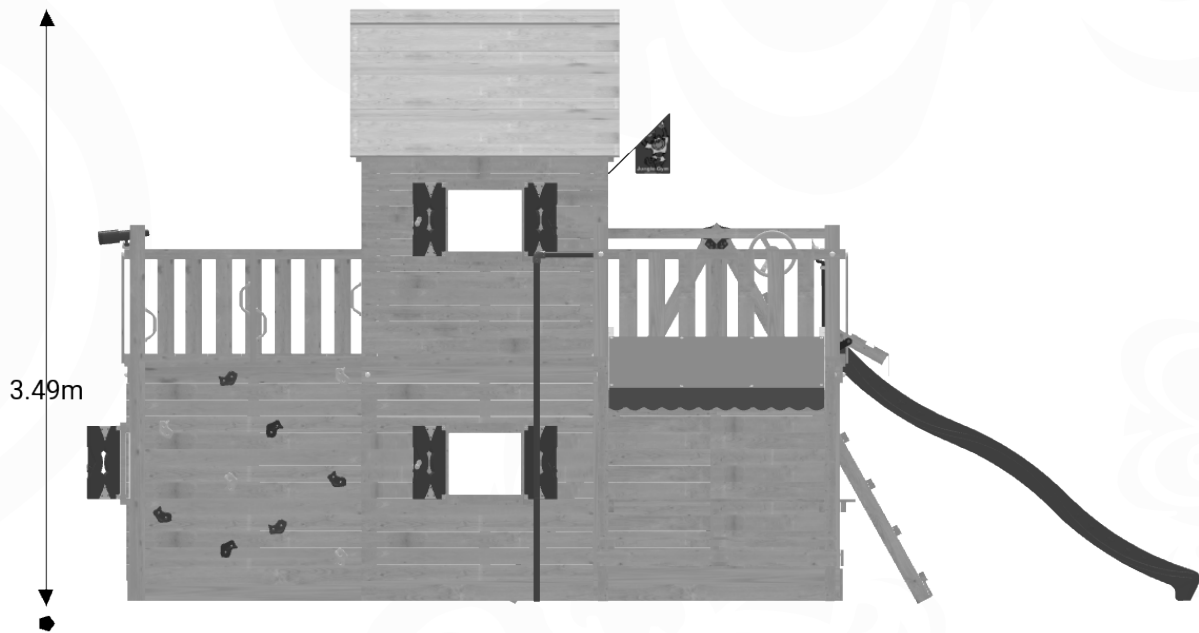
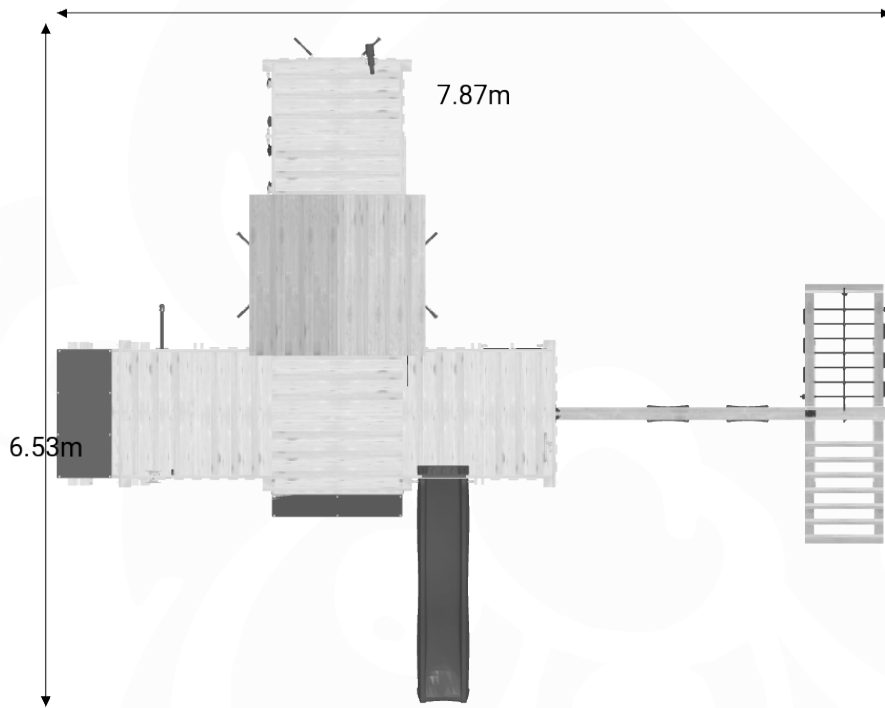


5 Hardware Identification

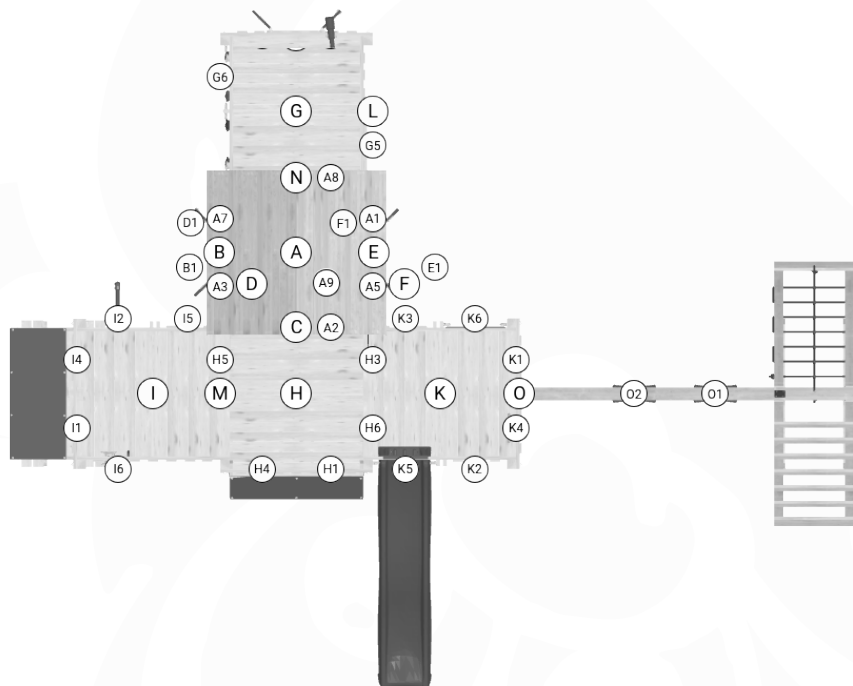
		SKU		L			
		001_404	30 mm				
		001_406	45 mm			002_308	20 mm
		001_411	60 mm			002_219	30 mm
		001_417	80 mm			002_220	45 mm
		001_422	137 mm			002_223	80 mm
		001_102	30 mm				
						004_050	22mm
		000_101	20 mm				
						003_010	
		002_041	20 mm				
						003_034	
		002_042	13 mm				
						003_034	
		002_301	40 mm				
						002_844	022_314

output: 27/06/24










6 Dimensions



7 Assembly Planning



	ID			A	B	C	D	E	F	G	H	I	J	K	L	M	N
1	BT20a		p.14	✓	-	-	-	-	-	-	-	-	-	-	-	-	-
2	ET39a		p.17	-	-	-	-	-	-	✓	✓	✓	-	✓	-	-	-
3	BL05a		p.20	-	-	-	-	-	-	G5	-	I6	-	-	-	-	-
4	BL06a		p.21	-	-	-	-	-	-	G4	H4	-	-	K4	-	-	-
5	BL07a		p.22	-	-	-	-	-	-	-	-	I5	-	-	-	-	-
6	BL08a		p.23	-	-	-	-	-	-	-	-	-	-	K2, K3	-	-	-
7	BL09a		p.24	-	-	-	-	-	-	-	-	I4	-	-	-	-	-
8	BL10a		p.25	-	-	-	-	-	-	-	-	I1	-	-	-	-	-
9	RF14a		p.26	A9	-	-	-	-	-	-	-	-	-	-	-	-	-
10	PH22a		p.29	-	-	-	-	-	-	-	-	-	-	-	-	-	✓
11	PH23a		p.31	-	-	✓	-	-	-	-	-	-	-	-	-	-	-
12	PH27a		p.33	-	-	-	✓	-	✓	-	-	-	-	-	-	-	-
13	PH32a		p.36	A9	-	-	-	-	-	-	-	-	-	-	-	-	-
14	RW46a		p.38	-	-	-	-	-	-	G6	-	-	-	-	-	-	-
15	TS17a		p.40	-	-	-	-	-	-	-	-	-	-	-	K6	-	-
16	MT12a		p.42	-	-	-	-	-	-	-	H1	-	-	-	-	-	-
17	PC10a		p.46	-	-	-	-	-	-	-	-	I1	-	-	-	-	-

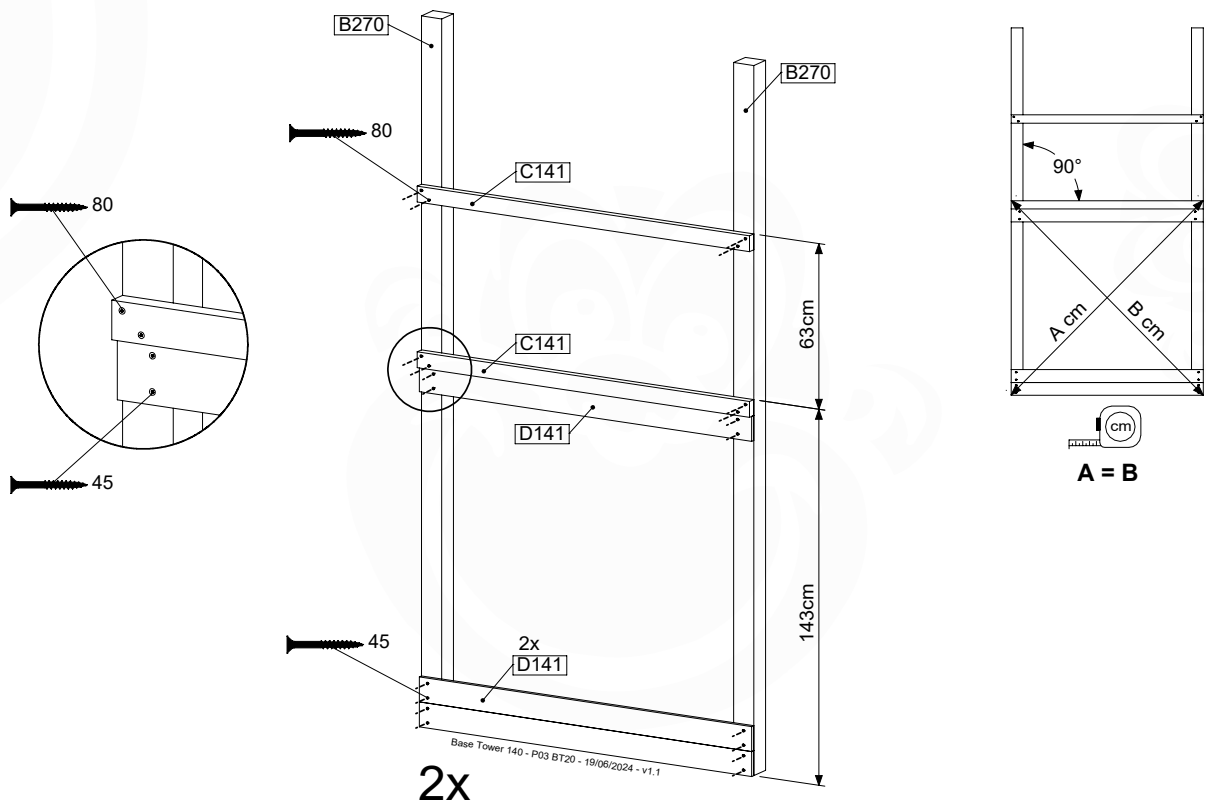
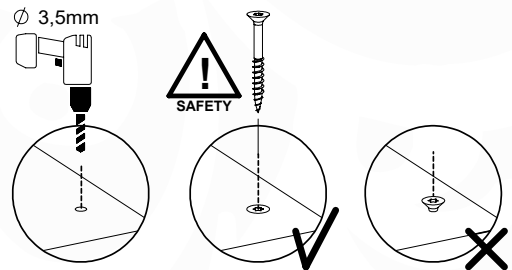
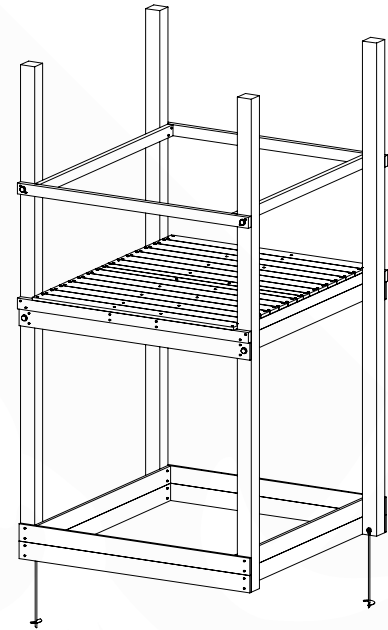
	ID			A	B	C	D	E	F	G	H	I	J	K	L	M	N
18	PH50a		p.50	-	-	-	-	-	-	-	H3	-	-	-	-	-	-
19	PH52a		p.51	-	-	-	-	-	-	-	-	-	-	-	✓	✓	-
20	PH57a		p.53	-	✓	-	-	✓	-	-	-	-	✓	-	-	-	-
21	CL23a		p.57	-	-	-	-	-	-	-	-	-	-	-	-	-	-
22	SL26a		p.69	-	-	-	-	-	-	-	-	-	-	K5	-	-	-
23	FP26a		p.72	-	-	-	-	-	-	-	-	I2	-	-	-	-	-
24	GA		p.73	✓	-	-	-	-	-	✓	✓	✓	-	✓	-	-	-
25	AC02a		p.75	-	B1	-	D1	E1	F1	-	-	-	J1	-	-	-	-
26	AC01a		p.76	✓	-	-	-	-	-	-	-	-	-	-	-	-	-

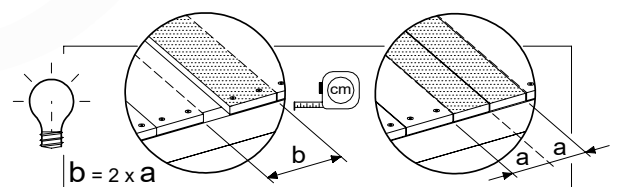
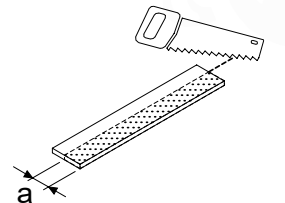
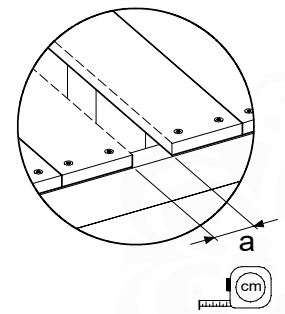
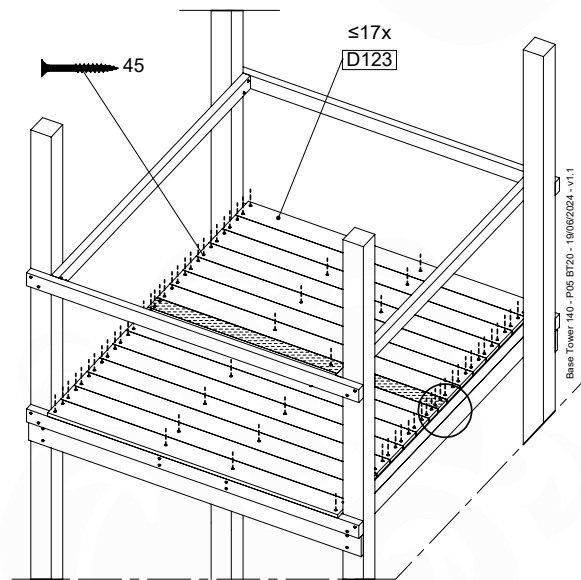
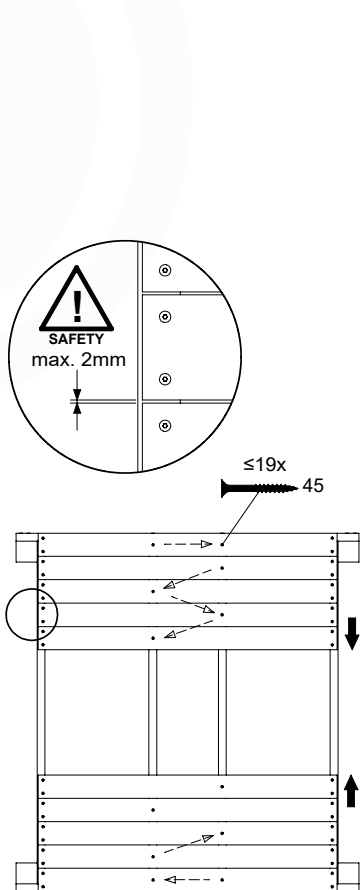
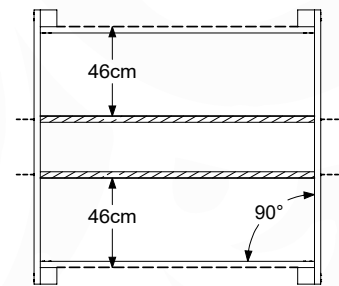
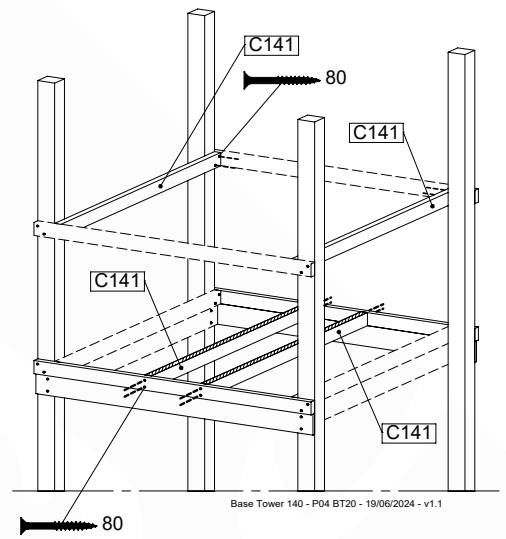
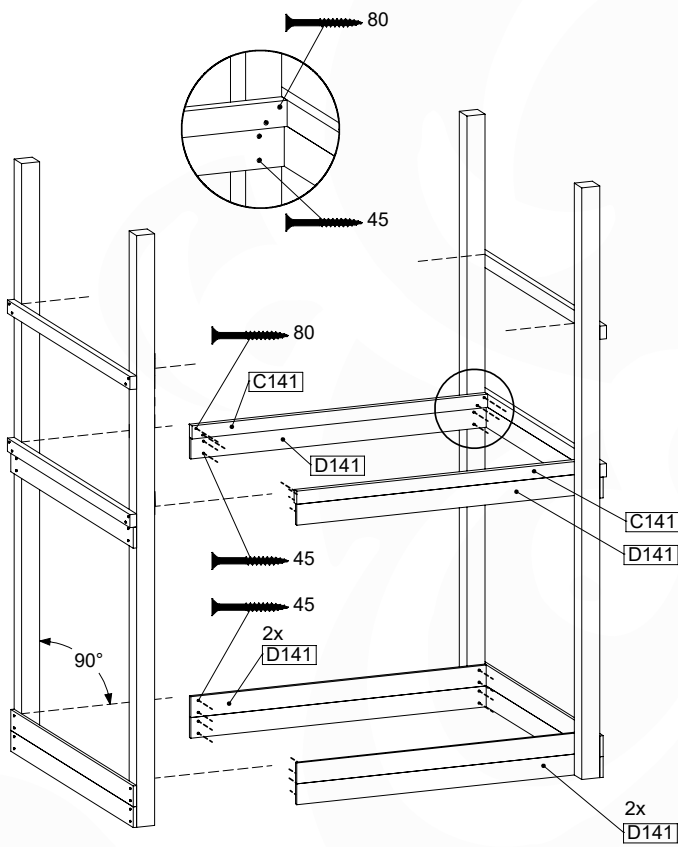
8 BT20a: Base Tower 140 145cm 270270

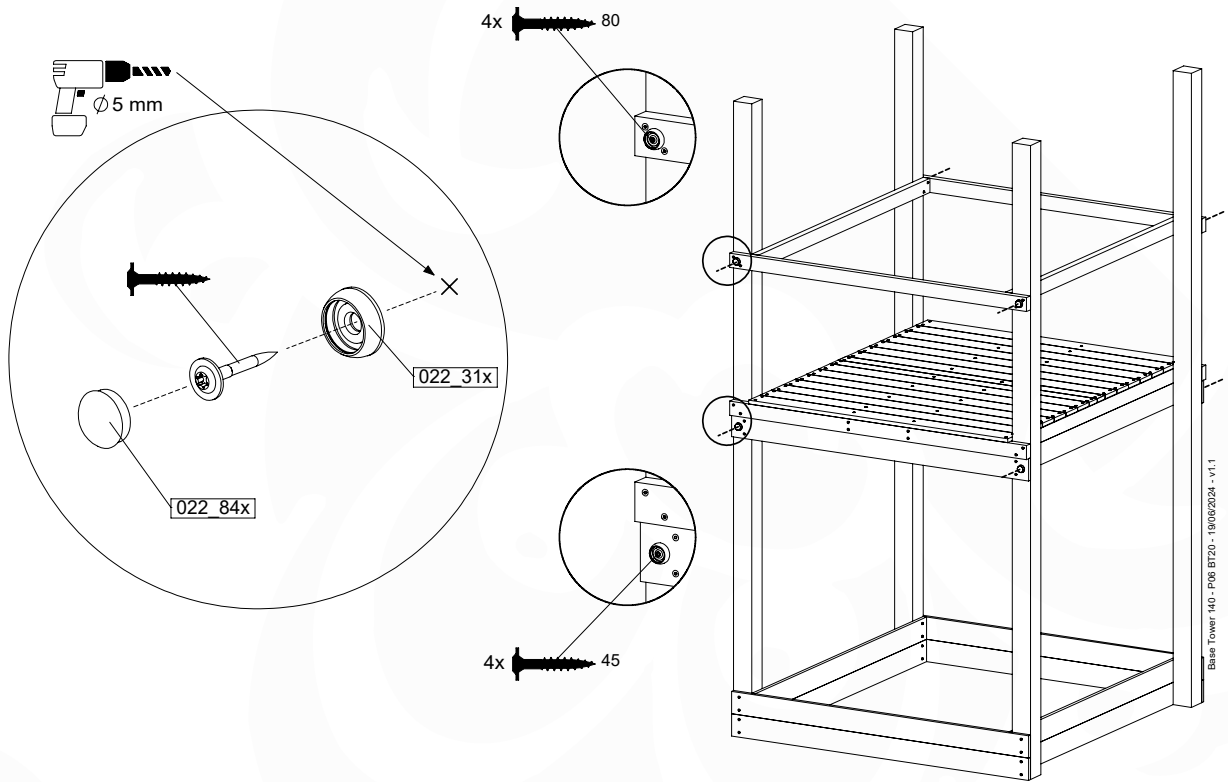
Assembly Pack: 194_500

	PartNo	PartName	QTY.
Hardware + Parts	001_406	Stealth Screw 8x45	6
	001_417	Stealth Screw 8x80	4
	002_220	Gap Point Screw T25 - 5x45	135
	002_223	Gap Point Screw T25 - 5x80	40
	007_001	Ground-anchor	2
	022_31x	bpc-base version 3	8
	022_84x	bpc cover	8
Timber	B270	Post 90x90 L2700	4
	C141	Beam 1410 mm	10
	D123	Board 1230 mm	17
	D141	Board 1410 mm	12

Base Tower 140 - P02 BT20 - 19/08/2024 - v1.1





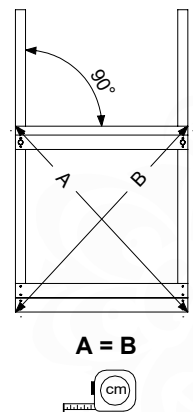
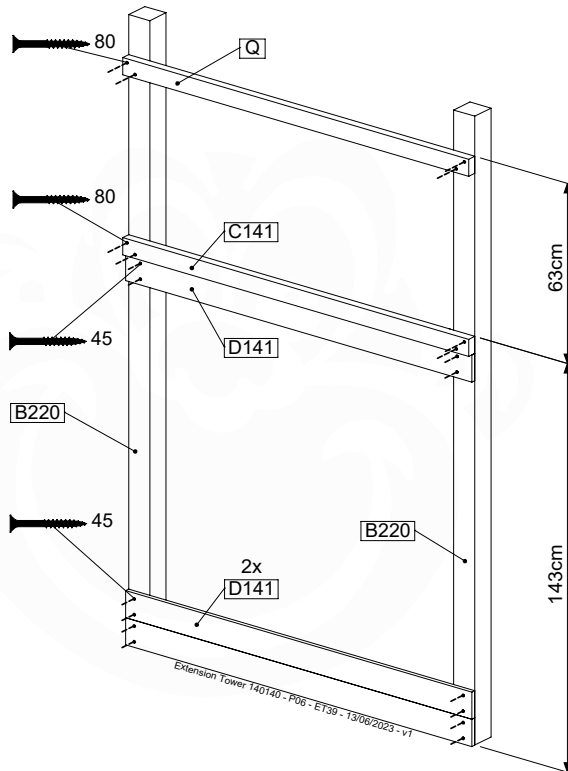
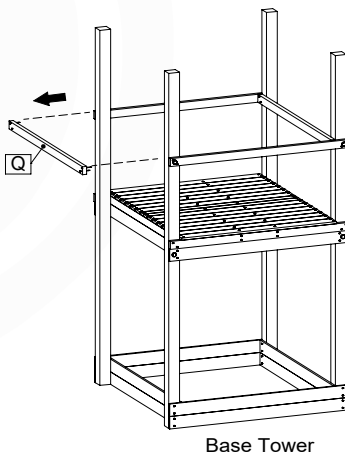
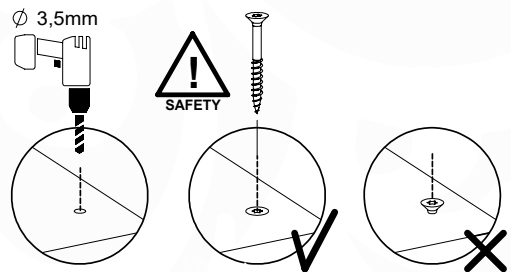
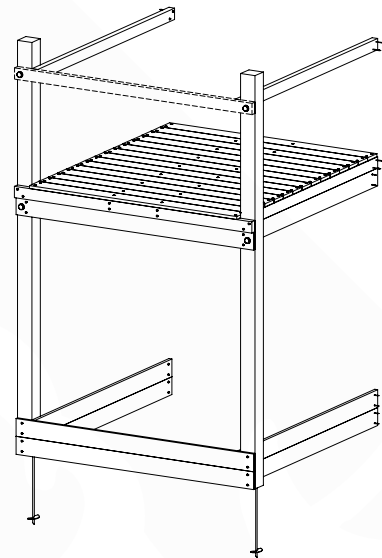


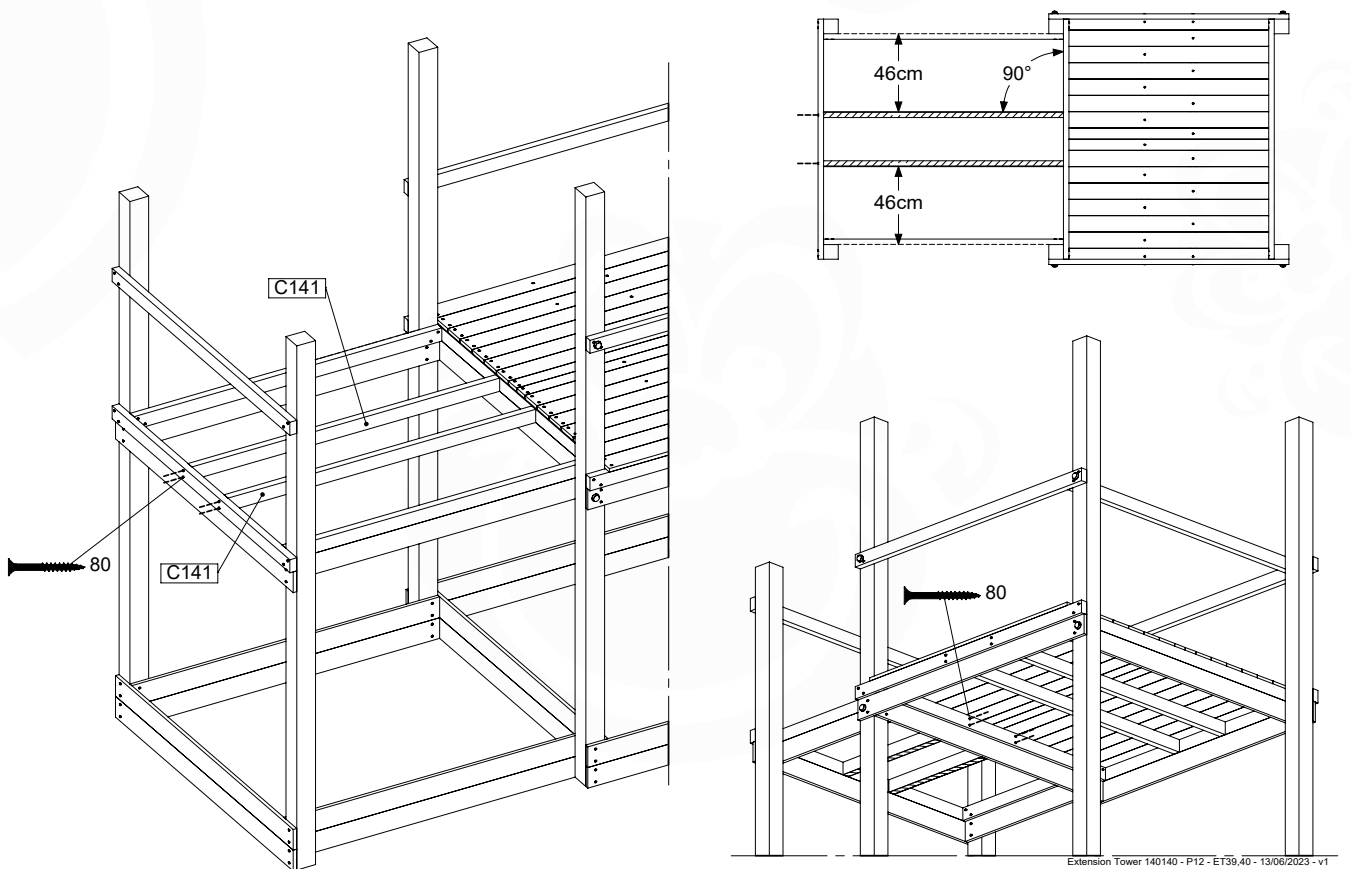
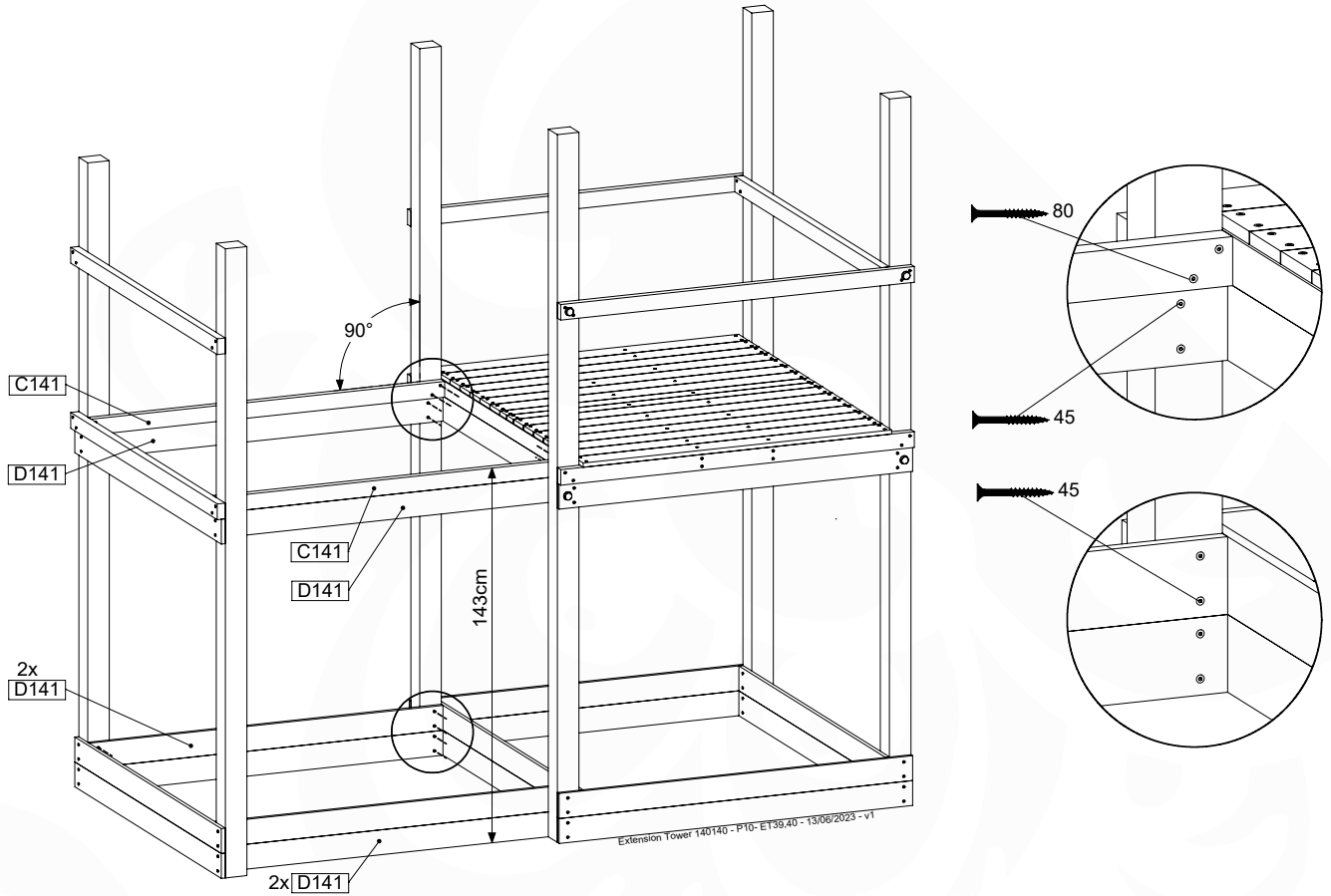
9 ET39a: Extension Tower 14080 220/145

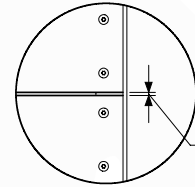
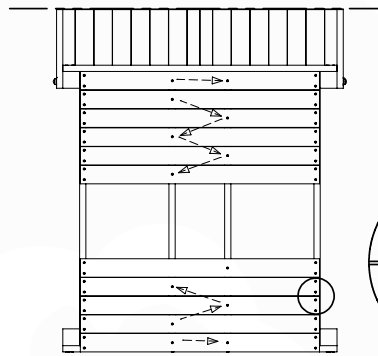
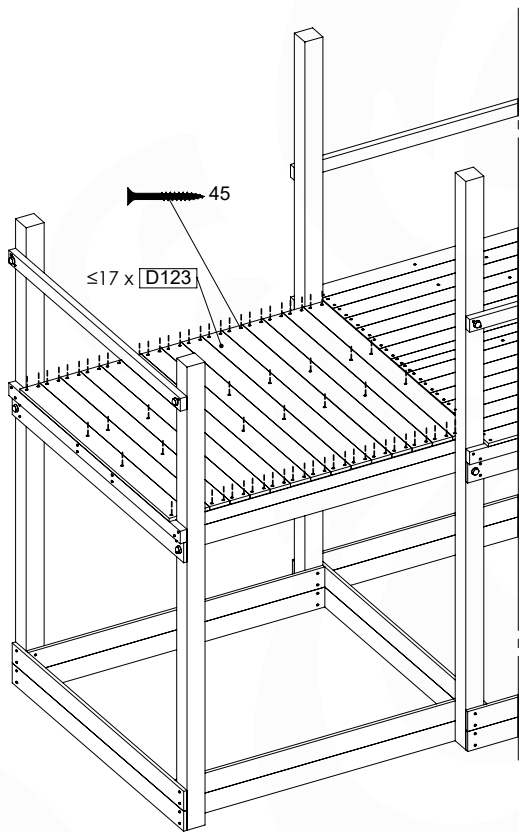
(194_500)

	PartNo	PartName	QTY.
Hardware pack	001_406	Stealth Screw 8x45	4
	001_417	Stealth Screw 8x80	2
	002_220	Gap Point Screw T25 - 5x45	123
	002_223	Gap Point Screw T25 - 5x80	28
Other	007_001	Ground-anchor	2
	022_31x	bpc-base version 3	4
	022_84x	bpc cover	4
Timber	B220	Post 90x90 L2200	2
	C141	Beam 1410 mm	7
	D123	Board 1230 mm	17
	D141	Board 1410 mm	9

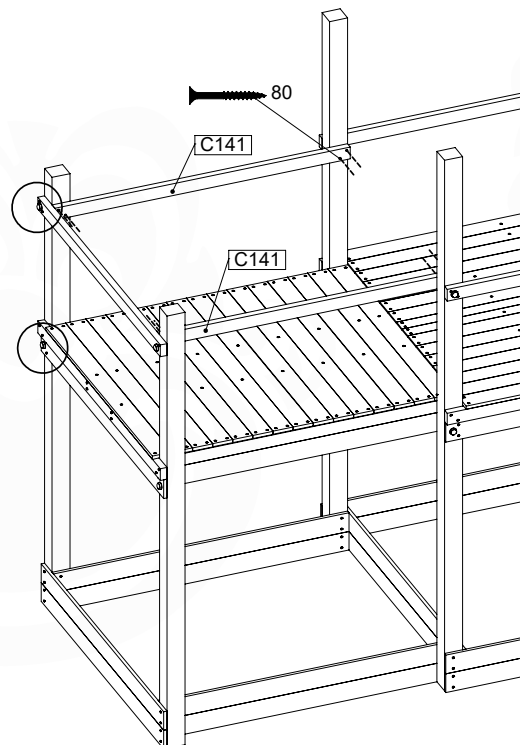
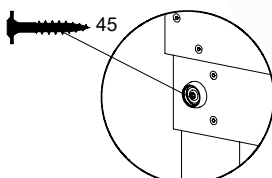
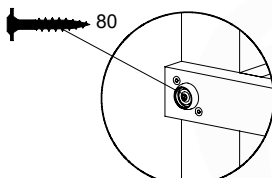
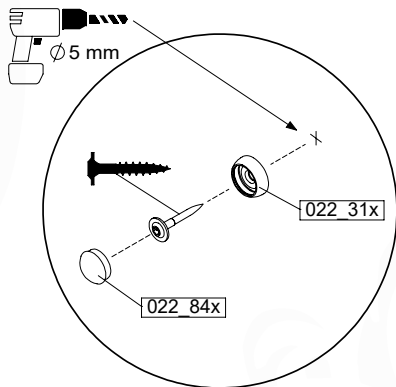
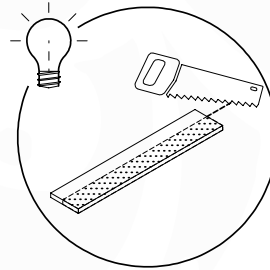
Extension Tower 140140 - P02 - ET39 - 13/06/2023 - v1







SAFETY
max. 2mm

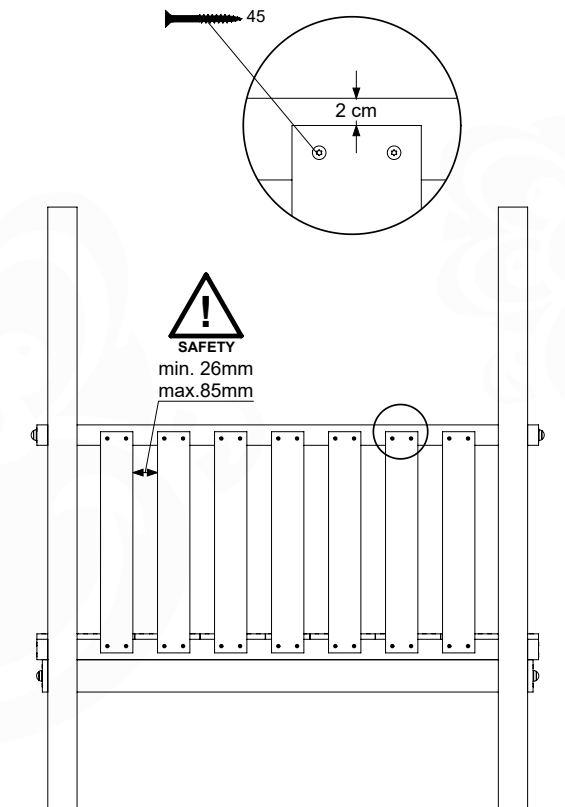
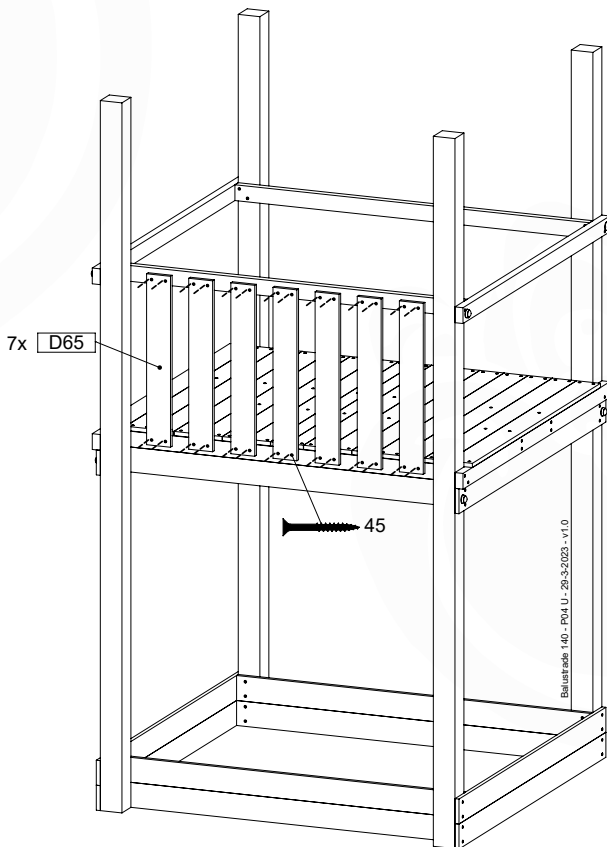
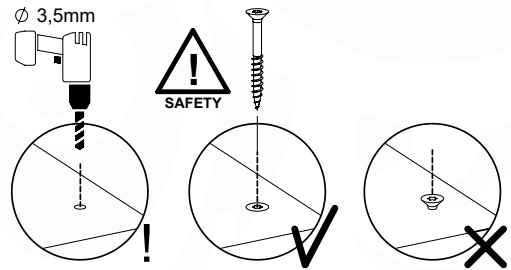
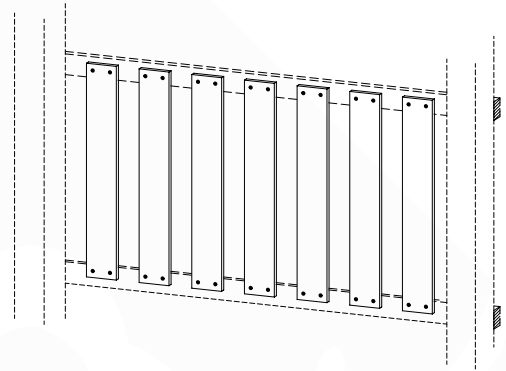


10 BL05a: Balustrade 140 U

(194_501)

	PartNo	PartName	QTY.
Hardware pack	002_220	Gap Point Screw T25 - 5x45	28
Timber	D65	Board 650 mm	7

Balustrade 140 - P02 U - 28-3-2023 - v1.0

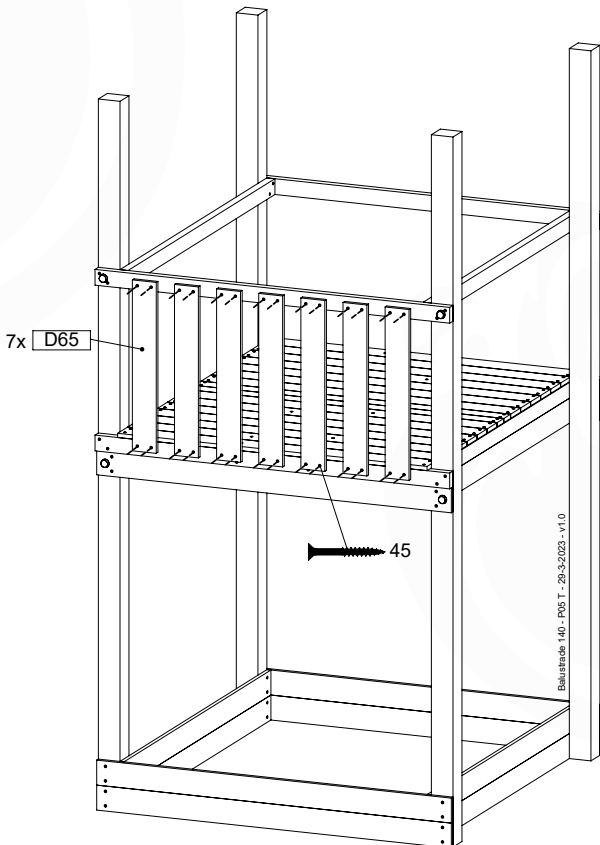
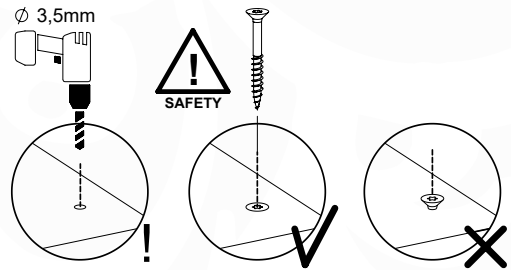
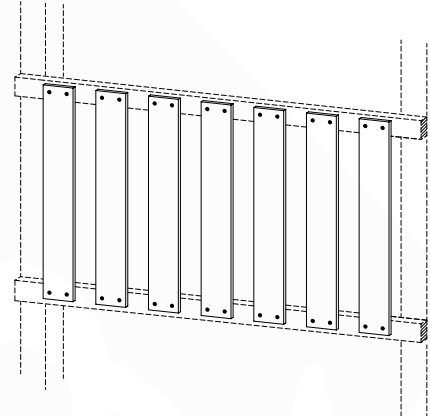


11 BL06a: Balustrade 140 T

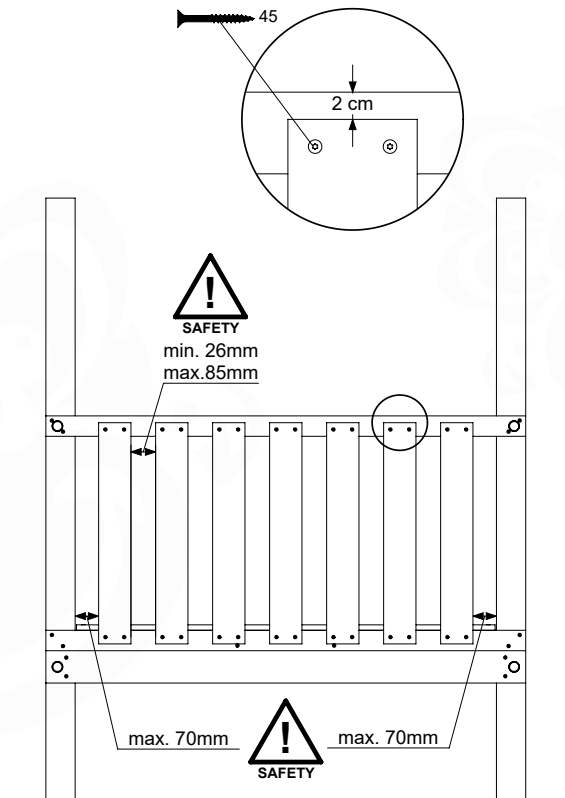
(194_501)

	PartNo	PartName	QTY.
Hardware pack	002_220	Gap Point Screw T25 - 5x45	28
Timber	D65	Board 650 mm	7

Balustrade 140 - P03 T - 28-3-2023 - v1.0



Balustrade 140 - P05 T - 28-3-2023 - v1.0

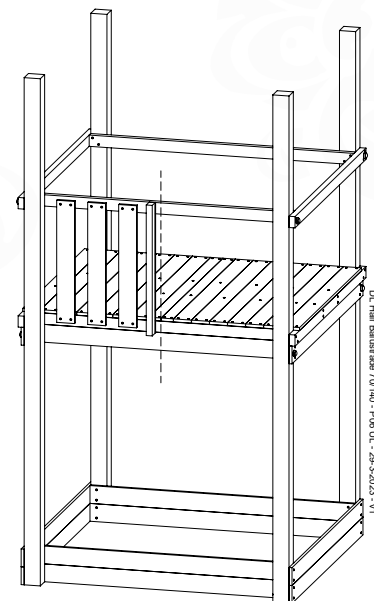
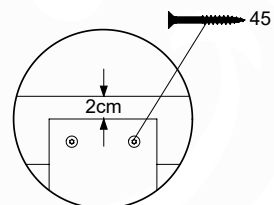
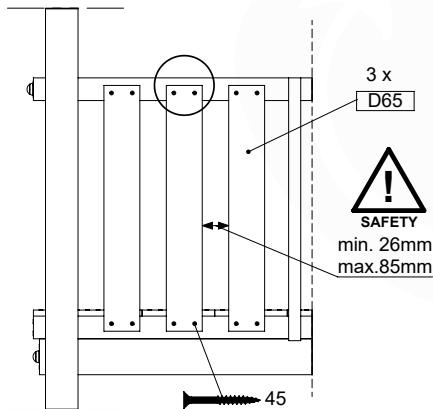
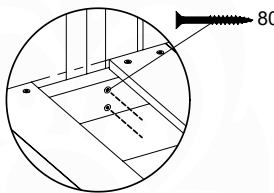
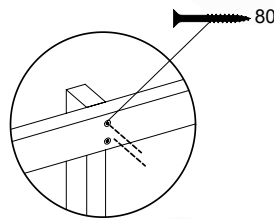
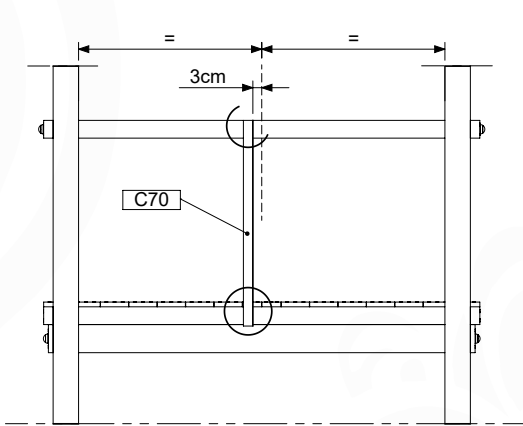
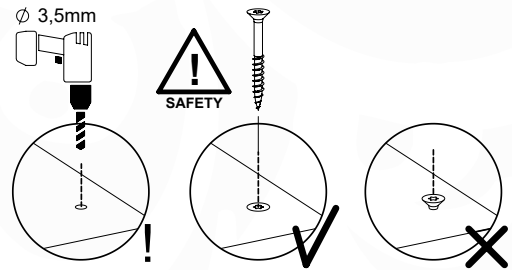
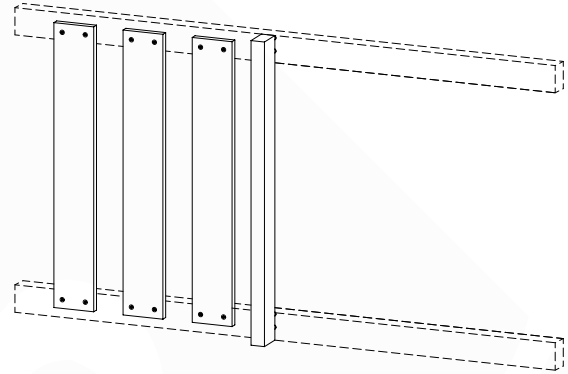


12 BL07a: Half Balustrade U Left

(194_101)

	PartNo	PartName	QTY.
Hardware pack	002_220	Gap Point Screw T25 - 5x45	12
	002_223	Gap Point Screw T25 - 5x80	4
Timber	C70	Beam 700 mm	1
	D65	Board 650 mm	3

DL Half Balustrade 70x40 - P02 UL - 29-3-2023 - v1



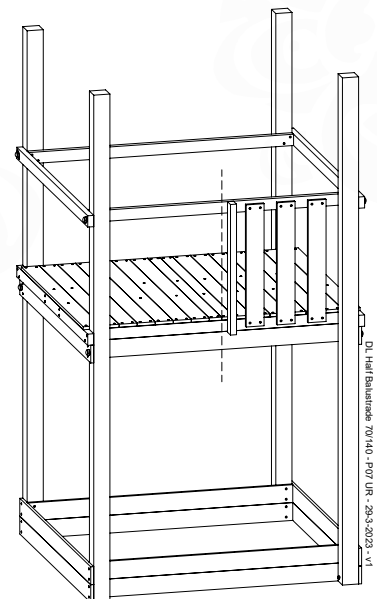
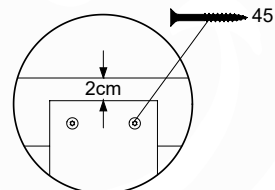
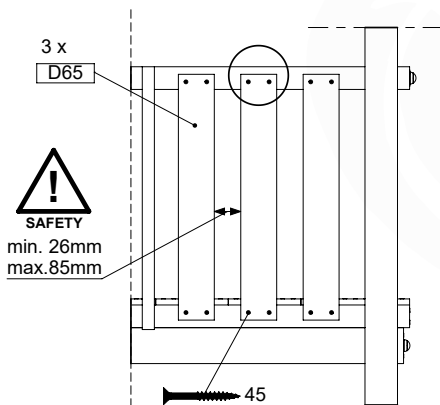
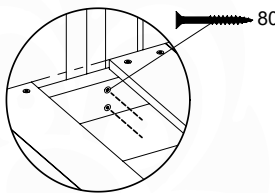
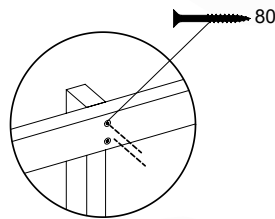
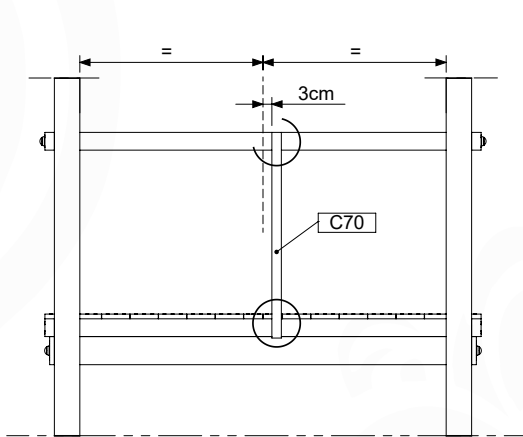
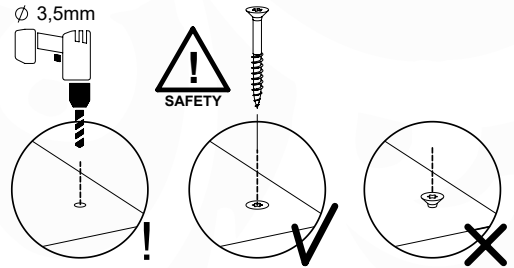
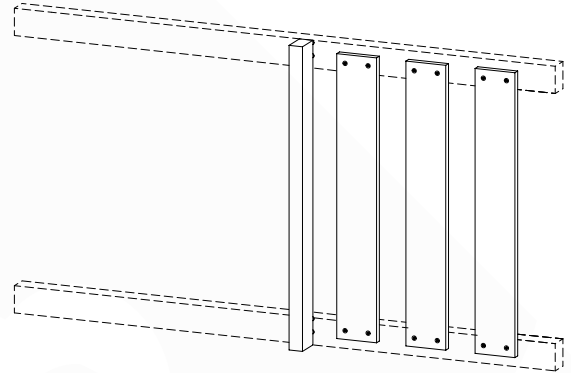
DL Half Balustrade 70x40 - P02 UL - 29-3-2023 - v1

13 BL08a: Half Balustrade U Right

(194_101)

	PartNo	PartName	QTY.
Hardware pack	002_220	Gap Point Screw T25 - 5x45	12
	002_223	Gap Point Screw T25 - 5x80	4
Timber	C70	Beam 700 mm	1
	D65	Board 650 mm	3

DL Half Balustrade 70x140 - P03 UR - 20.3.2023 - v1



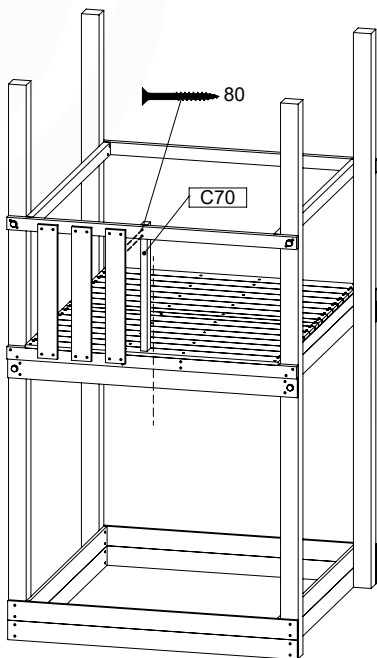
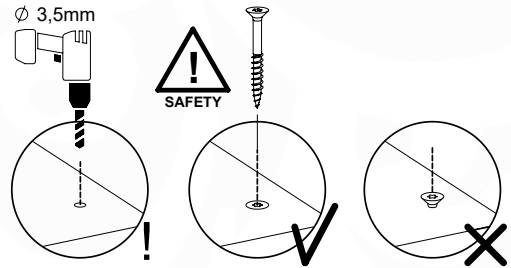
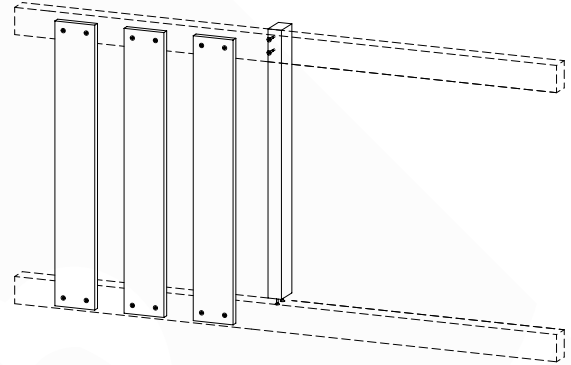
DL Half Balustrade 70x140 - P03 UR - 20.3.2023 - v1

14 BL09a: Half Balustrade T Left

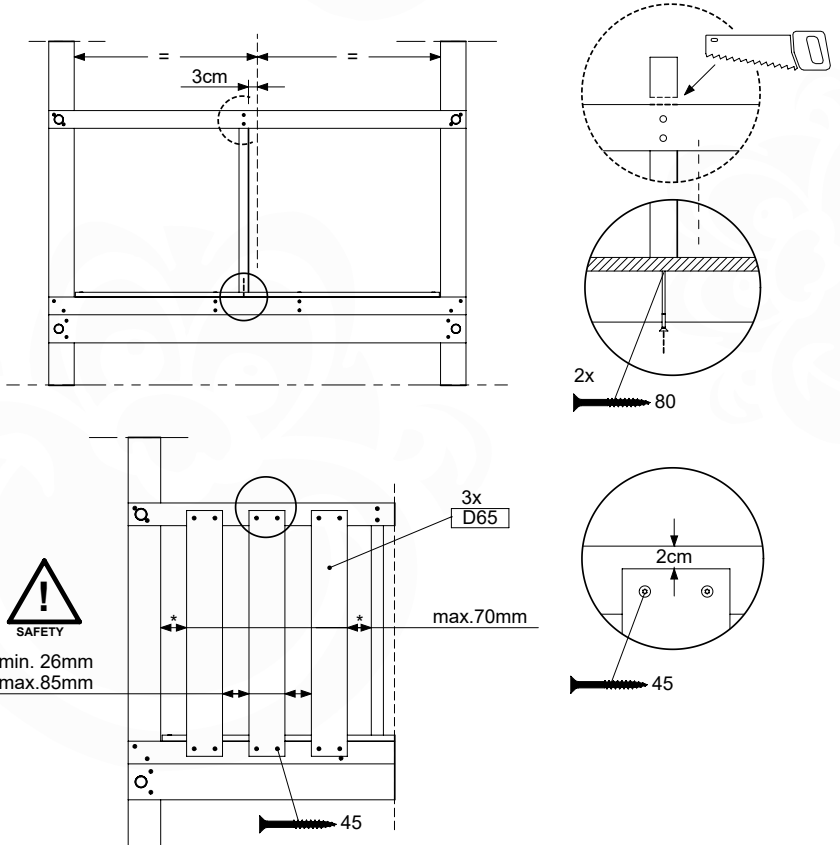
(194_101)

	PartNo	PartName	QTY.
Hardware pack	002_220	Gap Point Screw T25 - 5x45	12
	002_223	Gap Point Screw T25 - 5x80	4
Timber	C70	Beam 700 mm	1
	D65	Board 650 mm	3

Dt. Half Balustrade 70/140 - POM TL - 29-3-2023 - v1



Dt. Half Balustrade 70/140 - POM TL - 29-3-2023 - v1

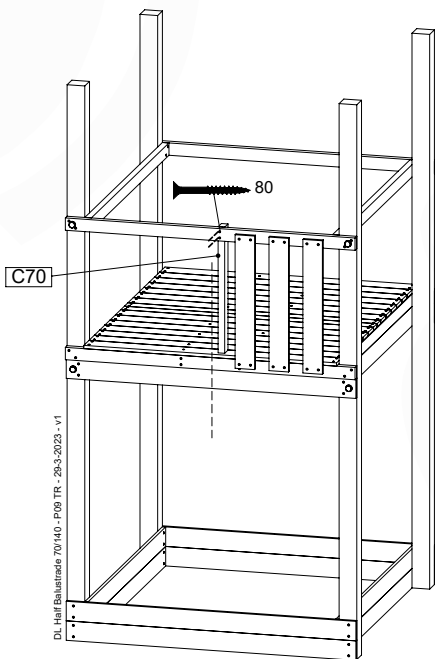
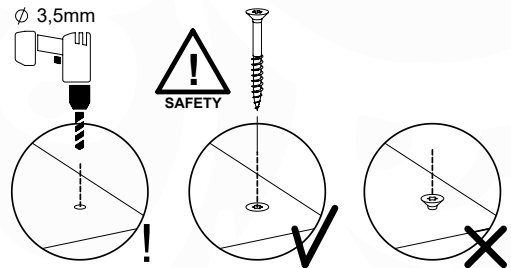
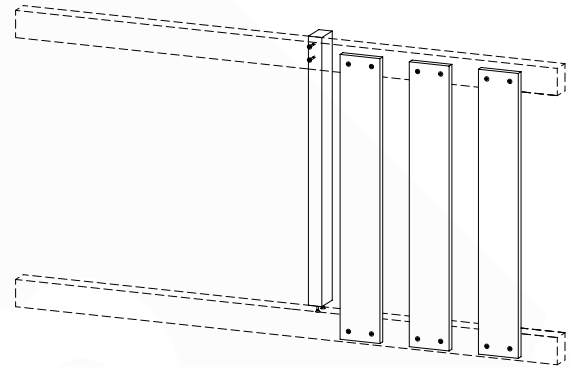


15 BL10a: Half Balustrade T Right

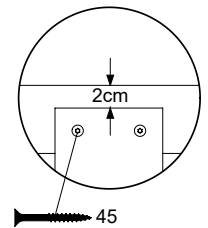
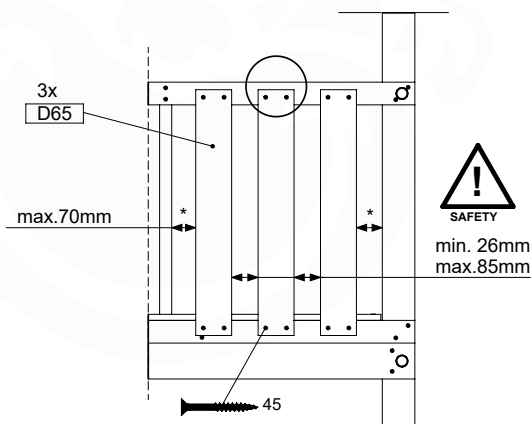
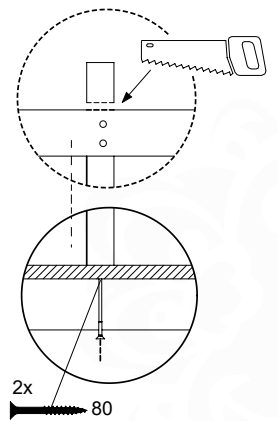
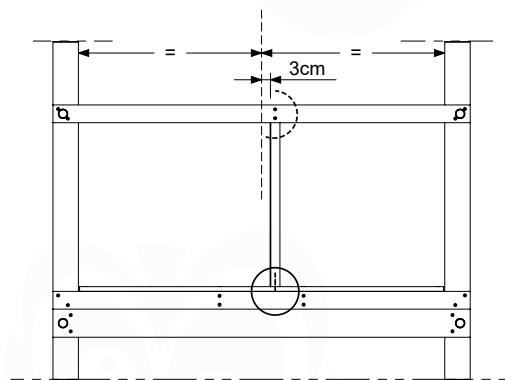
(194_101)

	PartNo	PartName	QTY.
Hardware pack	002_220	Gap Point Screw T25 - 5x45	12
	002_223	Gap Point Screw T25 - 5x80	4
Timber	C70	Beam 700 mm	1
	D65	Board 650 mm	3

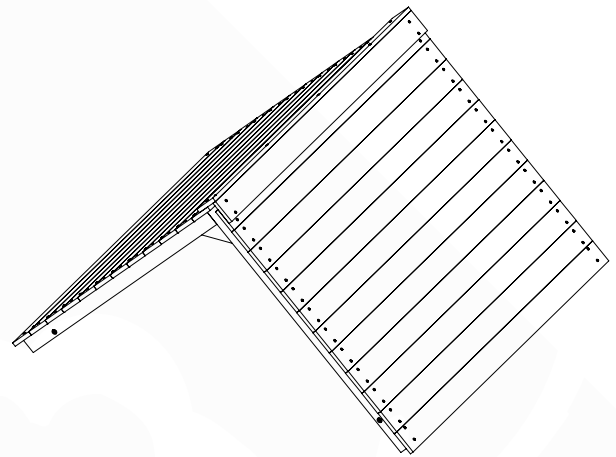
DI: Half Balustrade 70140 - P05 TR - 29-3-2023 - v1



DI: Half Balustrade 70140 - P05 TR - 29-3-2023 - v1

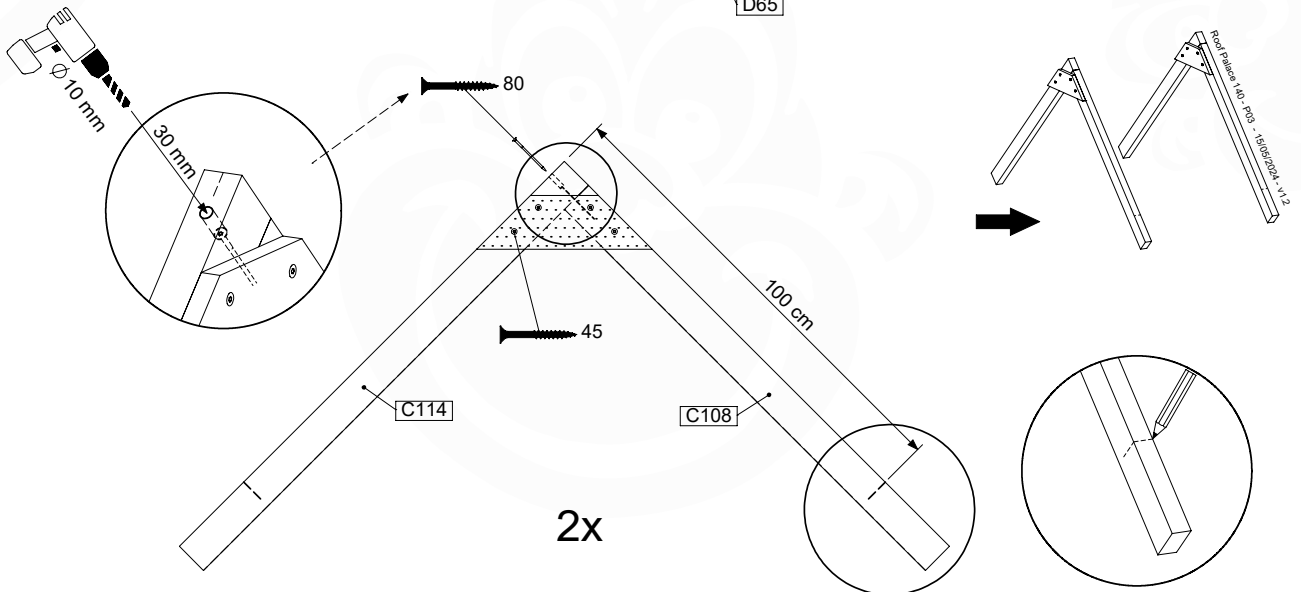
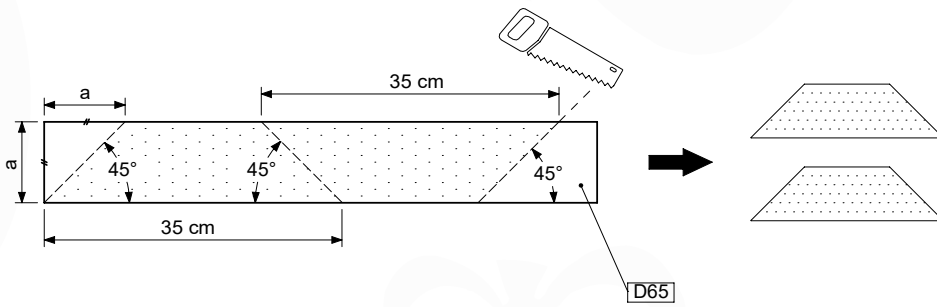
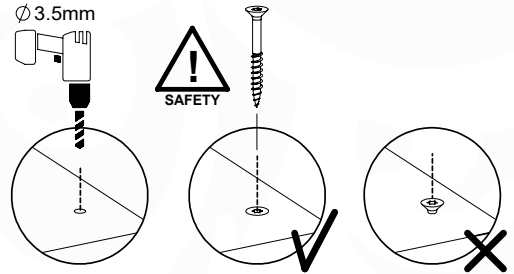


16 RF14a: Roof Timber Gable 140

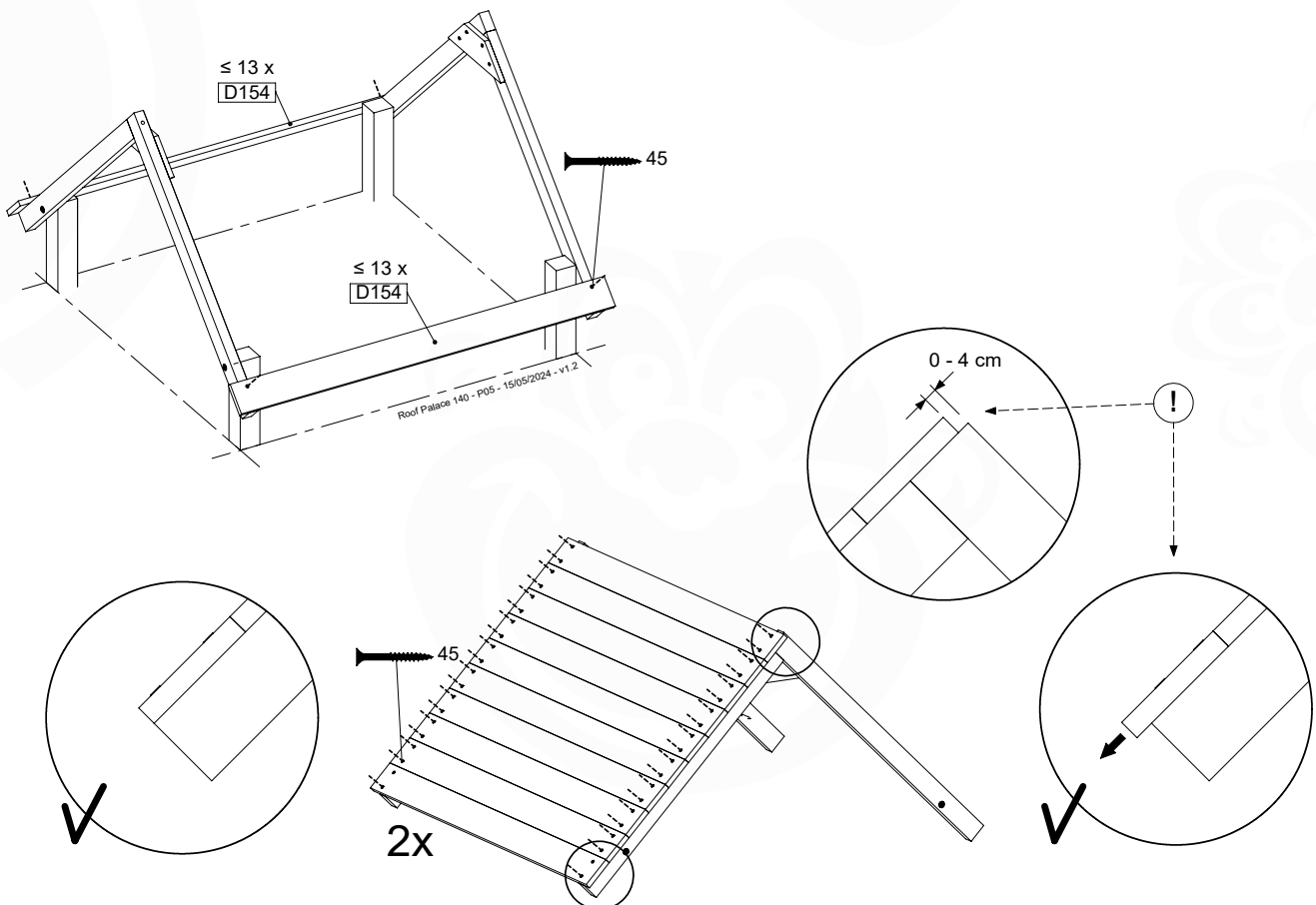
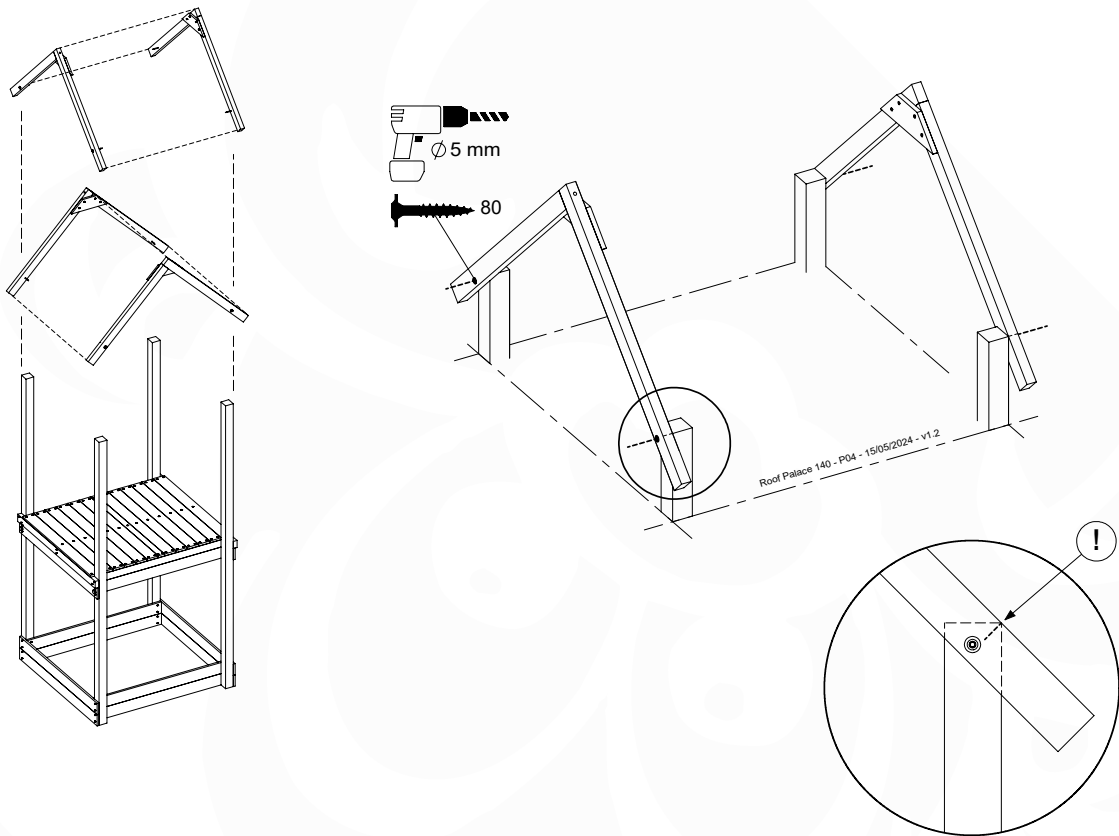


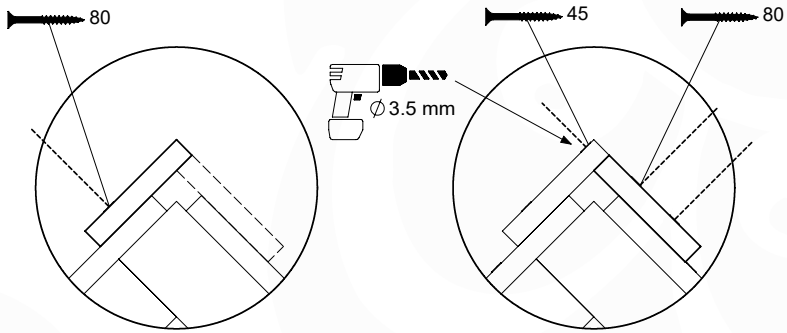
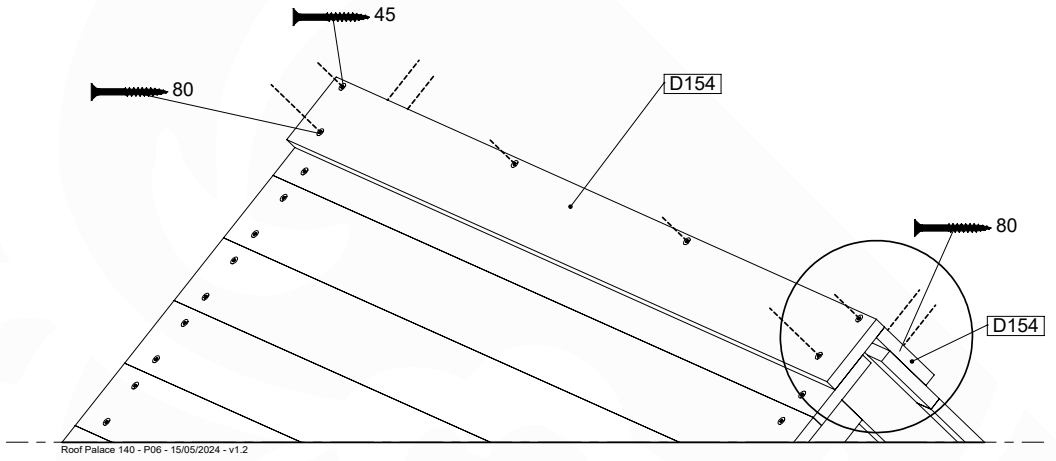
Assembly Pack: 194_508 / 194_804

	PartNo	PartName	QTY.
Hardware + Parts	001_417	Stealth Screw 8x80	4
	002_220	Gap Point Screw T25 - 5x45	120
	002_223	Gap Point Screw T25 - 5x80	4
Timber	C108	Beam 1080 mm	2
	C114	Beam 1140 mm	2
	D65	Board 650 mm	1
	D154	Board 1540 mm	28

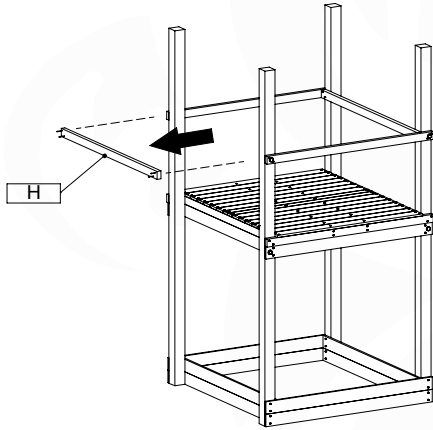


16.1





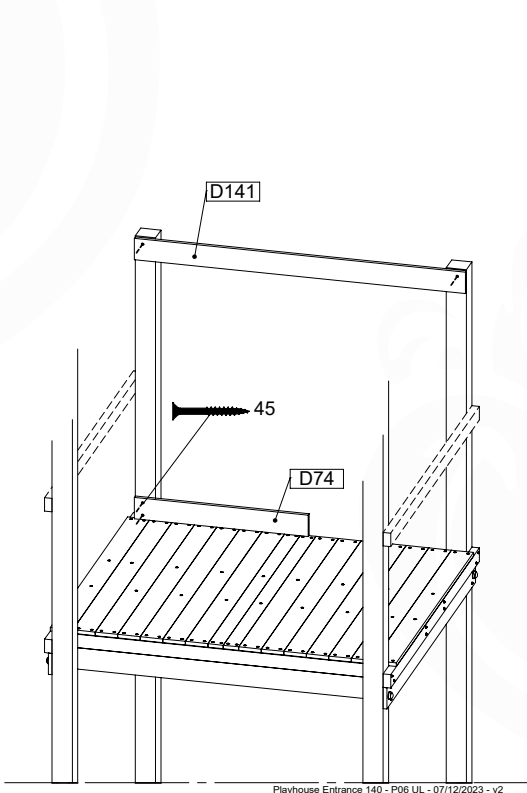
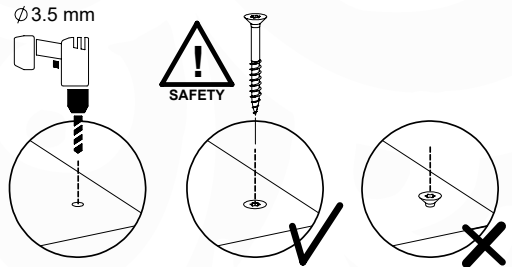
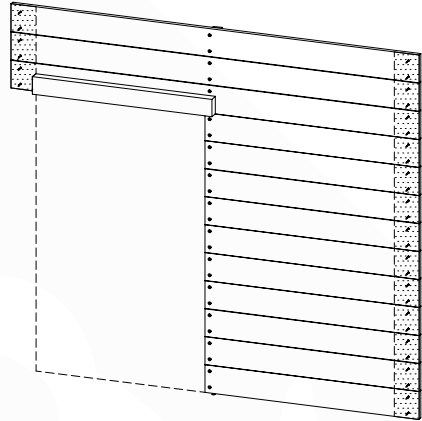
17 PH22a: Playhouse Entrance Panel 140 UL



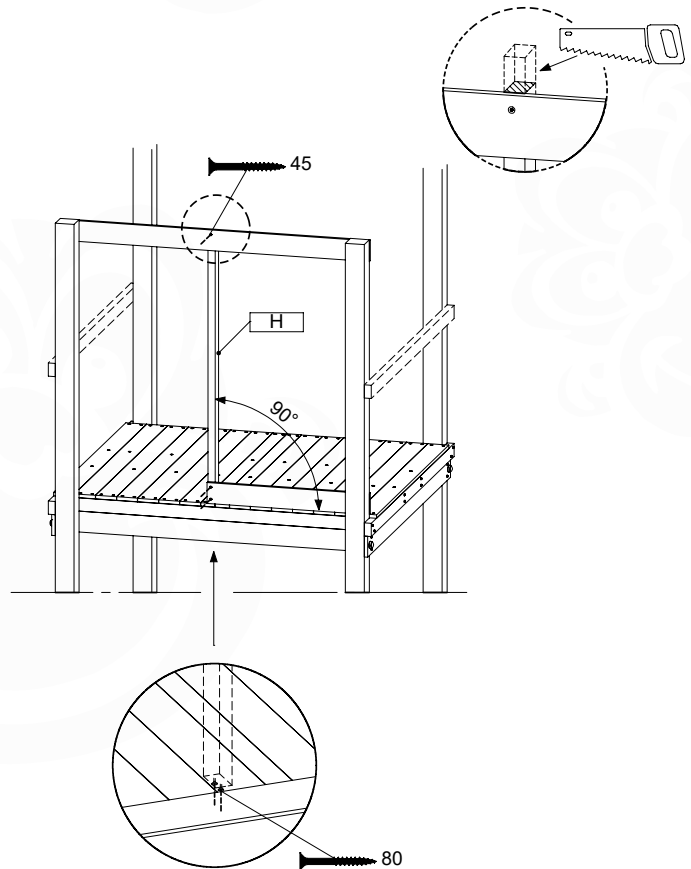
(194_809)

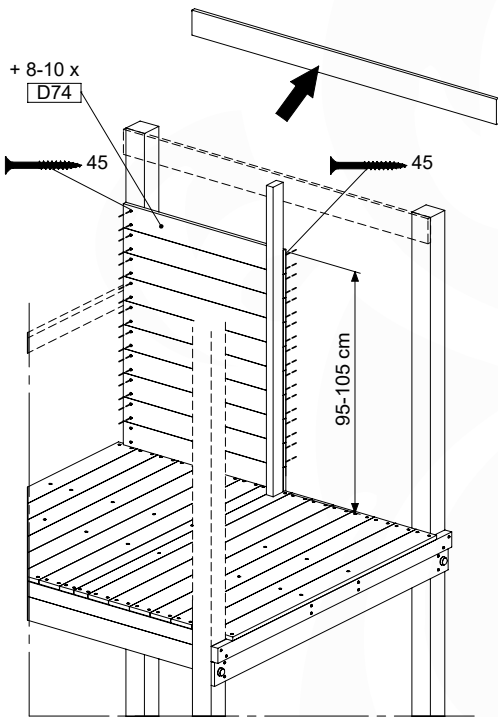
	PartNo	PartName	QTY.
Hardware Pack	002_220	Gap Point Screw T25 - 5x45	66
	002_223	Gap Point Screw T25 - 5x80	2
Timber	C62	Beam 620 mm	1
	D74	Board 740 mm	11
	D141	Board 1410 mm	3

Playhouse Entrance 140 - P02 UL - 07/12/2023 - v2

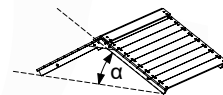
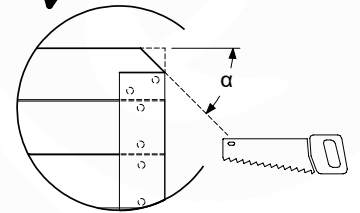
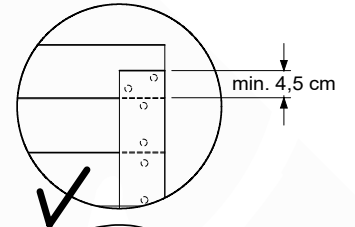
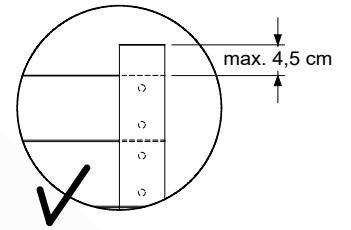
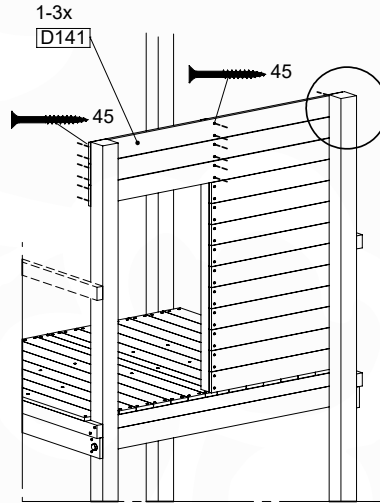


Playhouse Entrance 140 - P06 UL - 07/12/2023 - v2

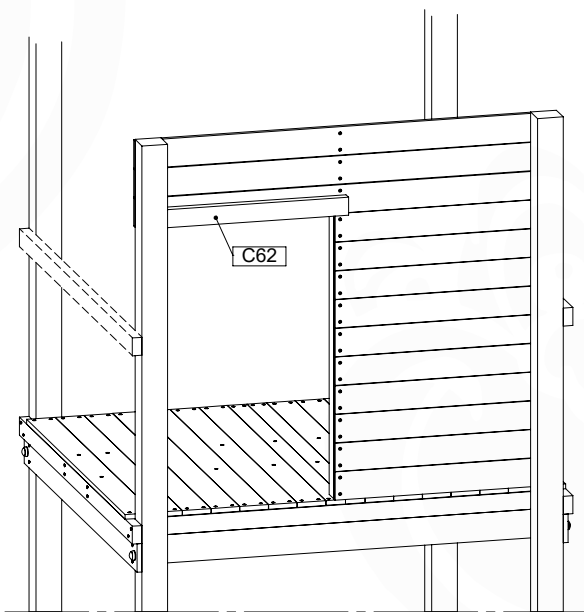




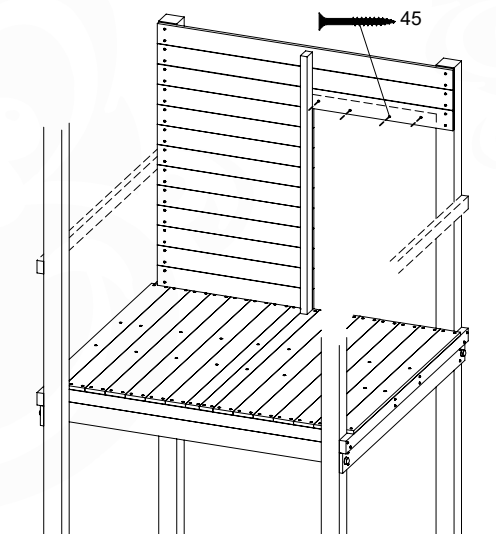
Playhouse Entrance 140 - P10 UL - 07/12/2023 - v2



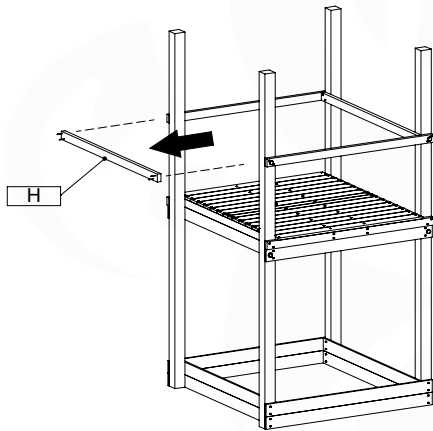
$\alpha=30^\circ / \alpha=45^\circ$



Playhouse Entrance 140 - P14 UL - 07/12/2023 - v2



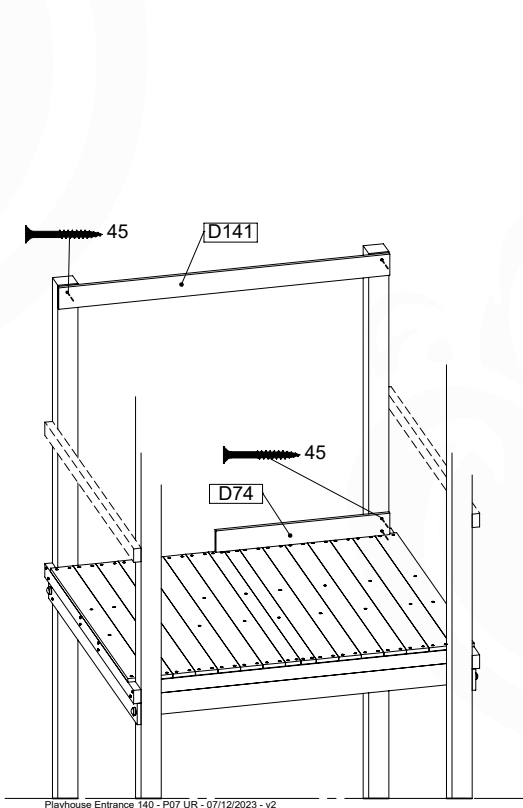
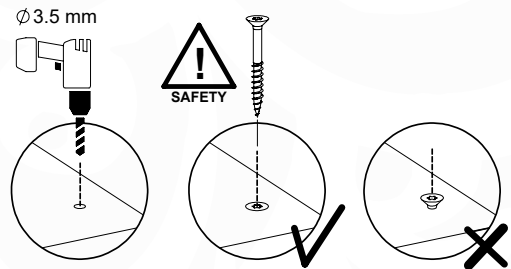
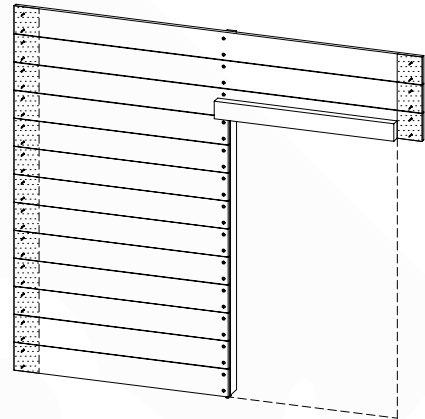
18 PH23a: Playhouse Entrance Panel 140 UR



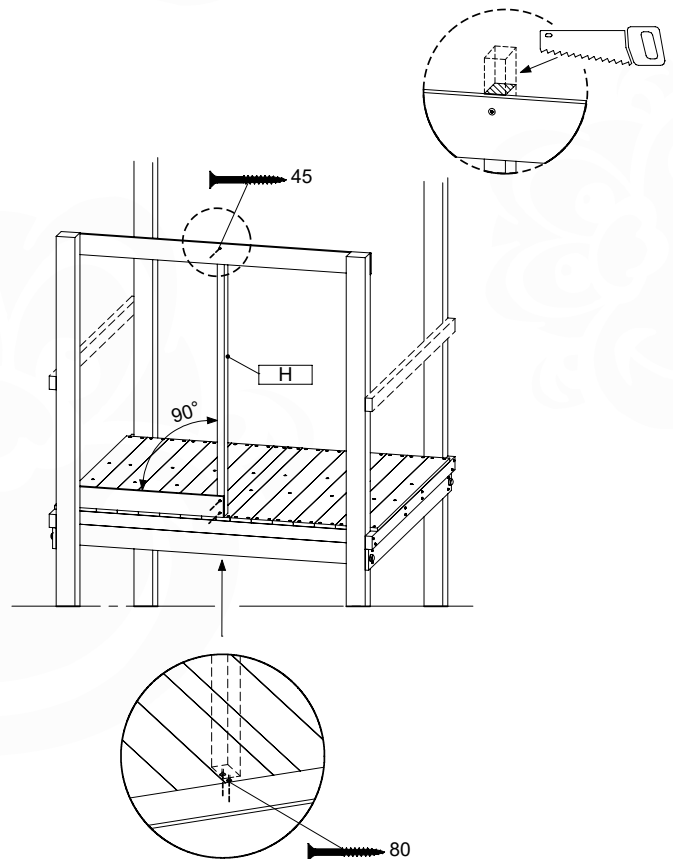
(194_809)

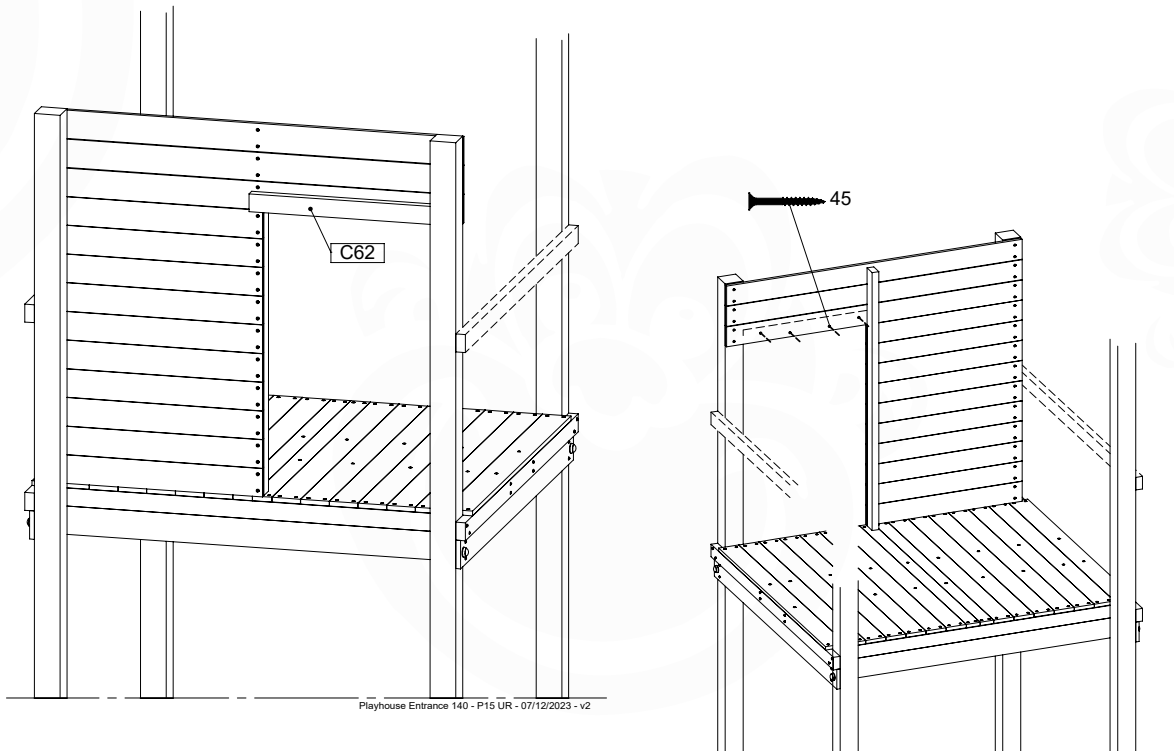
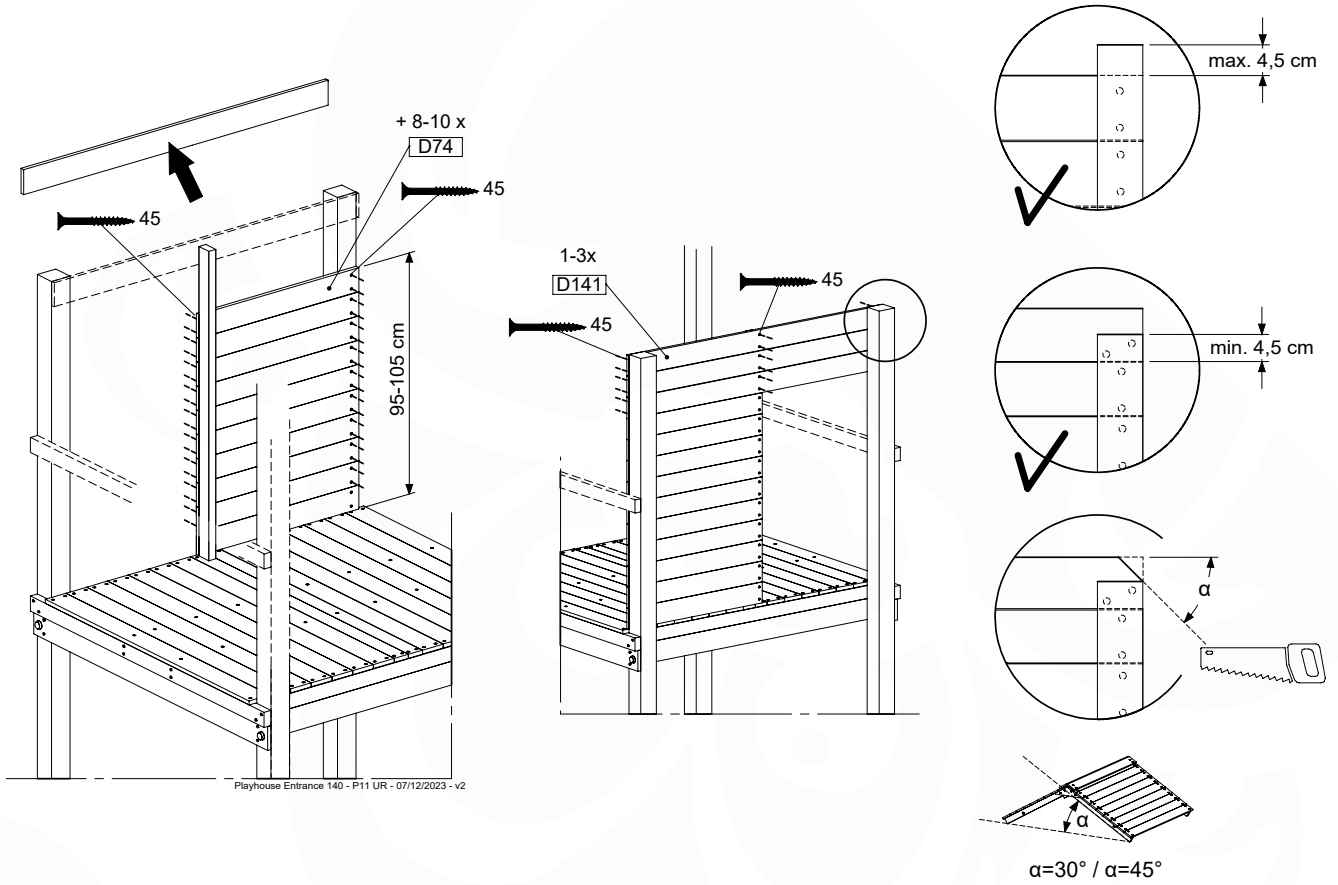
	PartNo	PartName	QTY.
Hardware Pack	002_220	Gap Point Screw T25 - 5x45	66
	002_223	Gap Point Screw T25 - 5x80	2
Timber	C62	Beam 620 mm	1
	D74	Board 740 mm	11
	D141	Board 1410 mm	3

Playhouse Entrance 140 - P03 UR - 07/12/2023 - v2

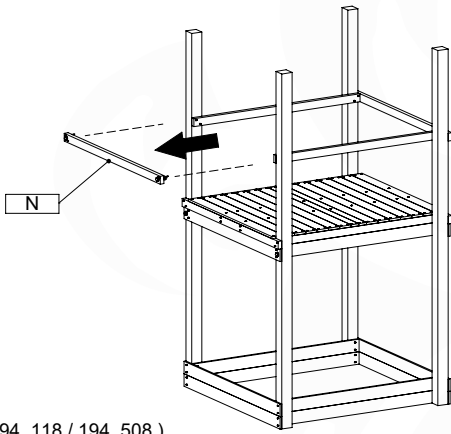


Playhouse Entrance 140 - P07 UR - 07/12/2023 - v2





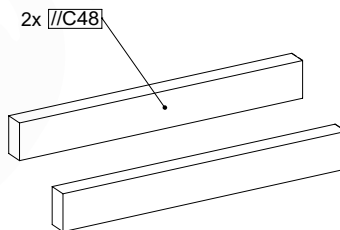
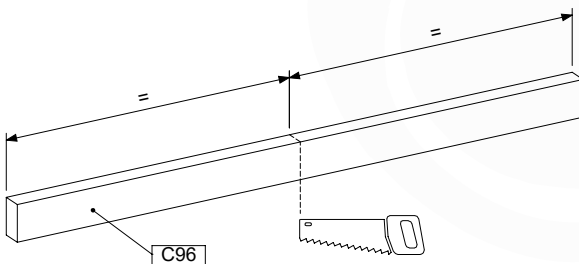
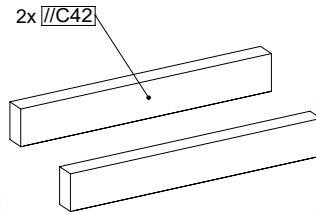
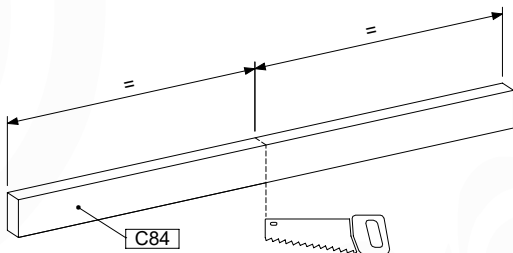
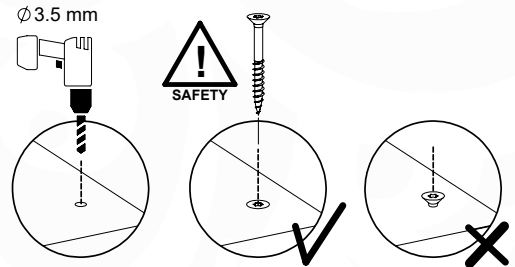
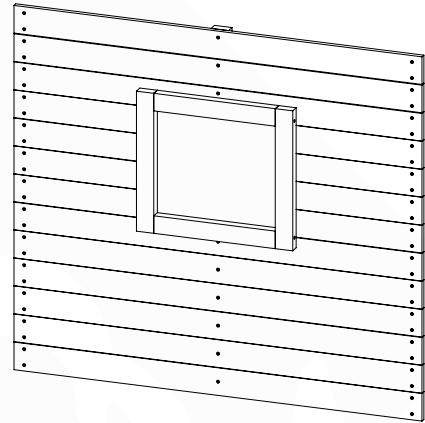
19 PH27a: Playhouse Window Panel 140 T

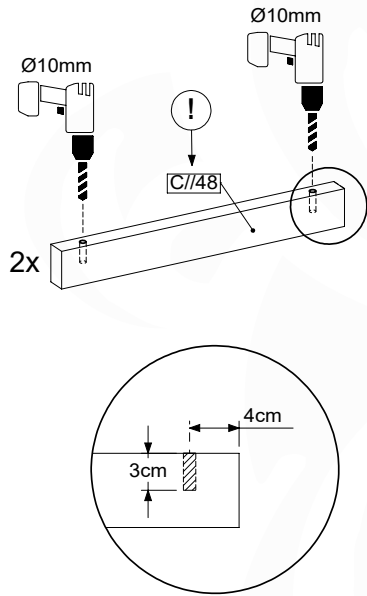


(194_118 / 194_508)

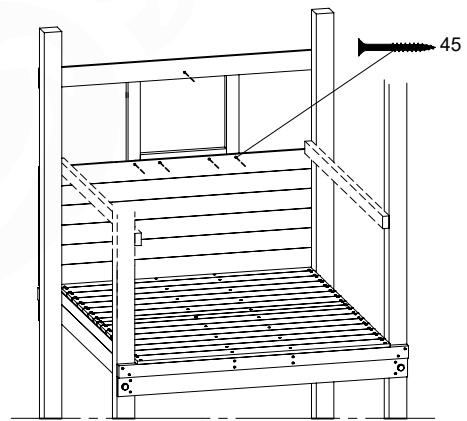
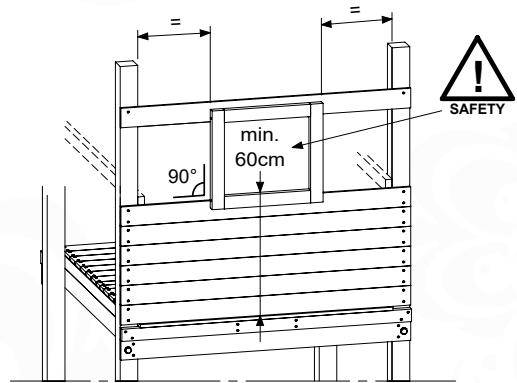
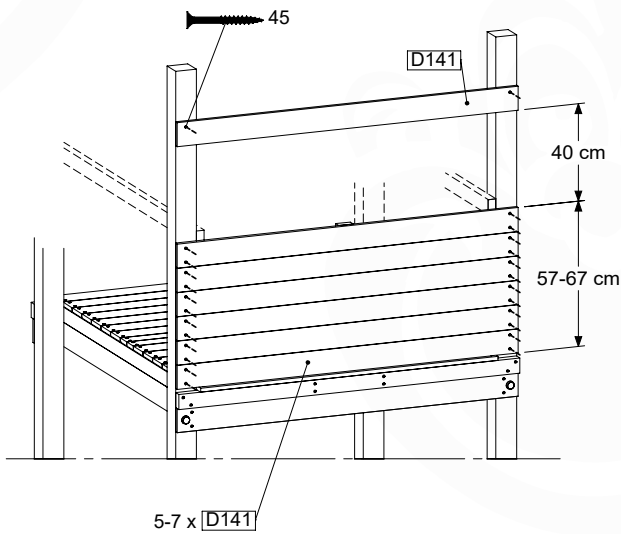
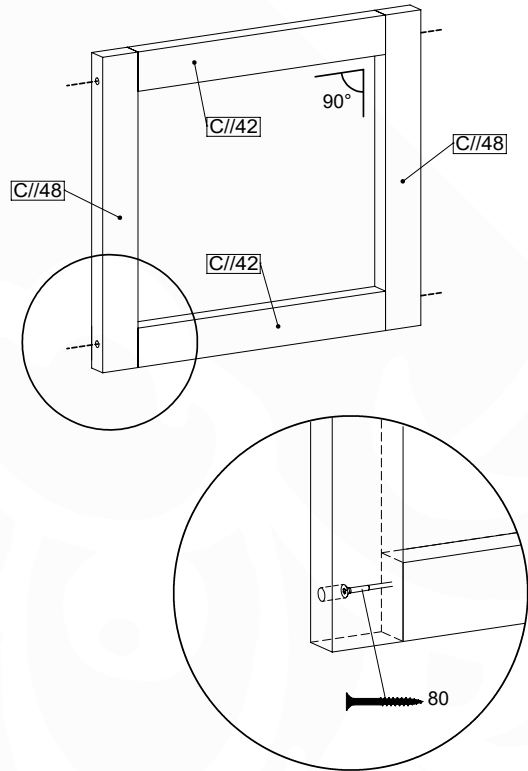
	PartNo	PartName	QTY.
Hardware Pack	002_220	Gap Point Screw T25 - 5x45	90
	002_223	Gap Point Screw T25 - 5x80	4
Timber	C84	Beam 840 mm	1
	C96	Beam 960 mm	1
	D47	Board 470 mm	8
	D141	Board 1410 mm	10

Playhouse Window 140 - P03 T - 28/02/2024 - v2.1

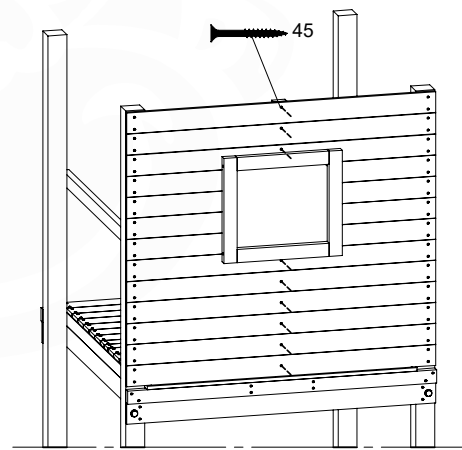
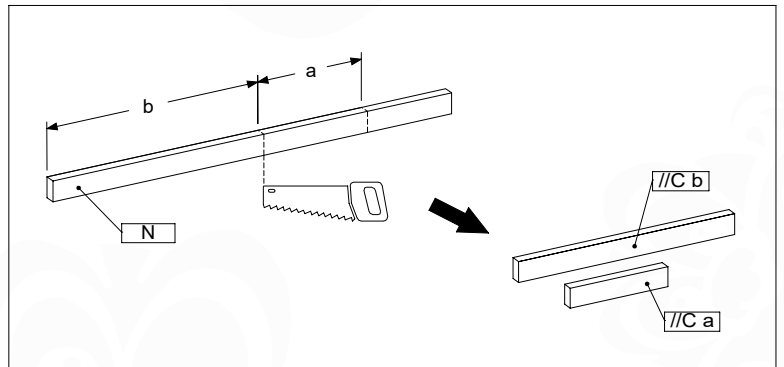
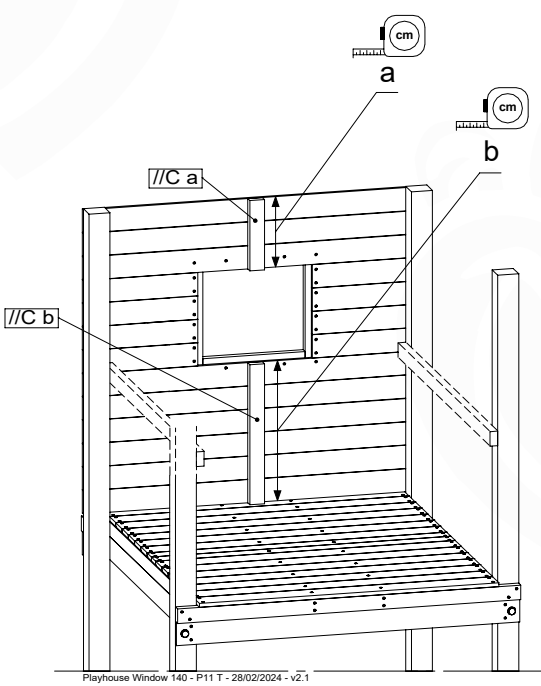
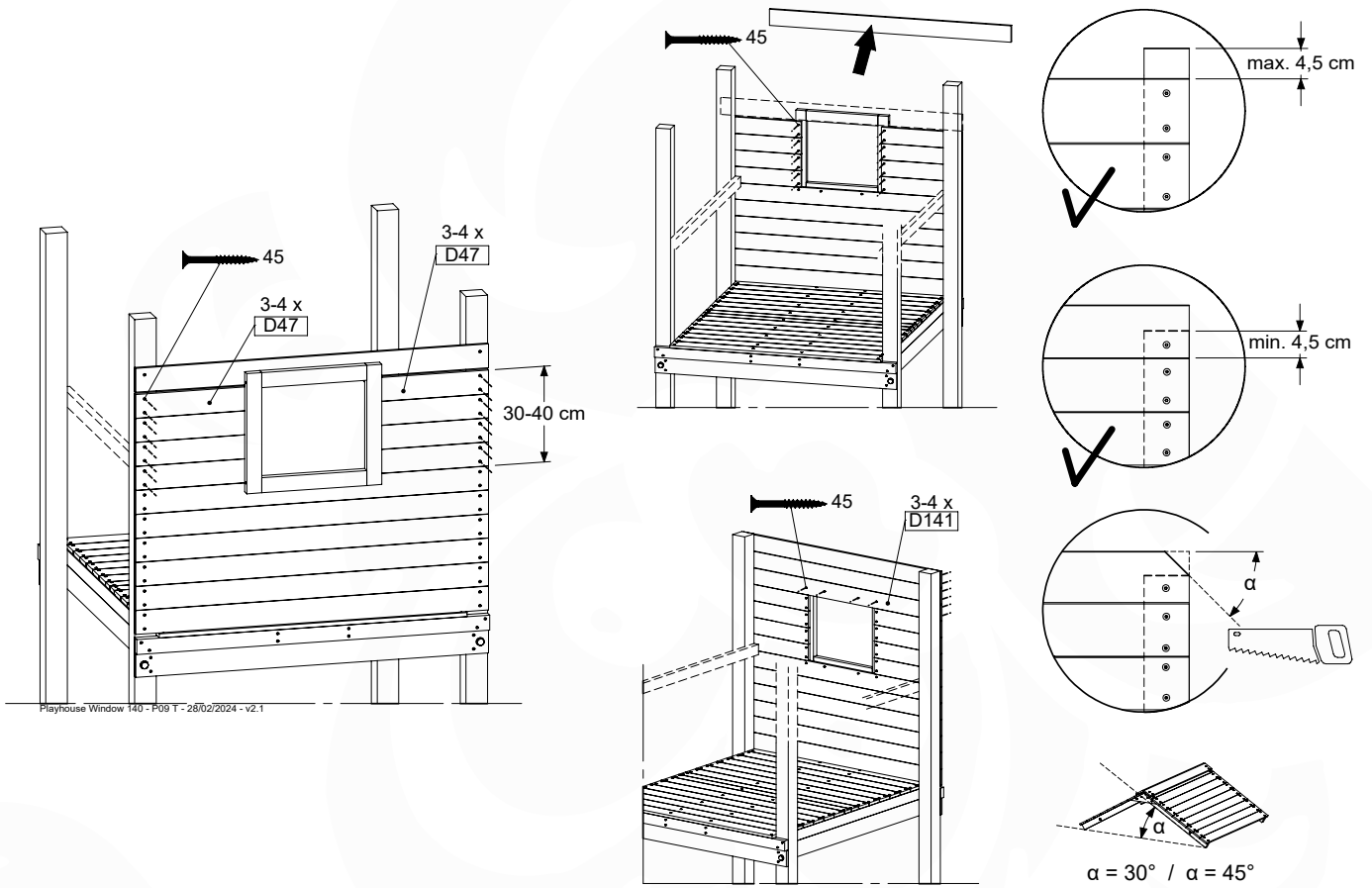




Playhouse Window 140 - P07.unt - 28/02/2024 - v2.1



Playhouse Window 140 - P07 T - 28/02/2024 - v2.1

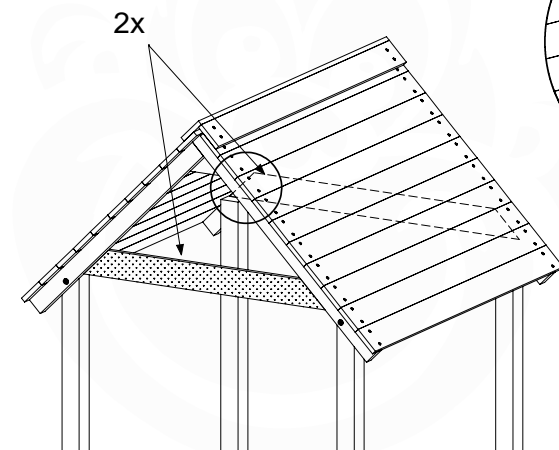
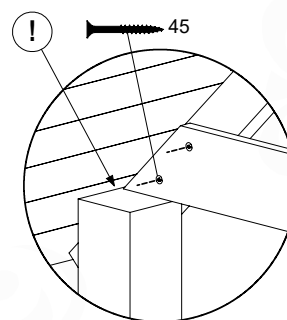
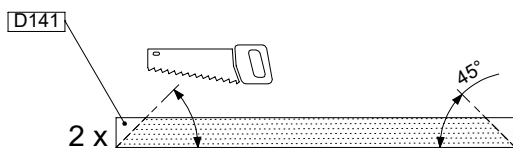
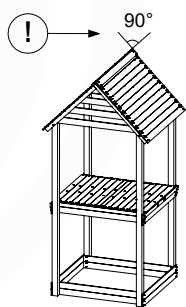
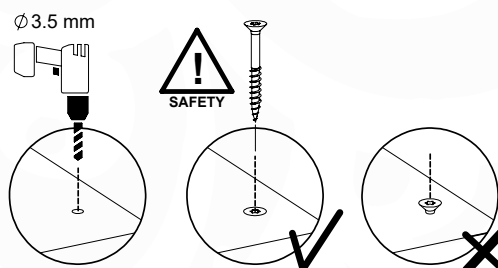
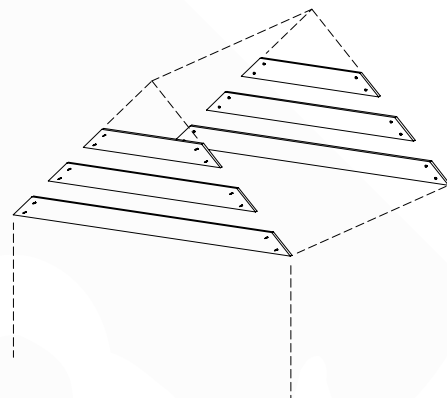


20 PH32a: Playhouse Roof Panels 140 90deg

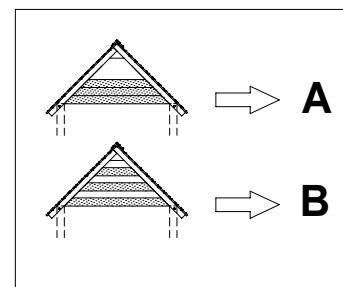
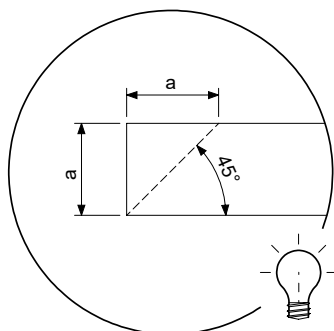
(194_501)

	PartNo	PartName	QTY.
Hardware Pack	002_220	Gap Point Screw T25 - 5x45	24
Timber	D100	Board 1000 mm	2
	D123	Board 1230 mm	2
	D141	Board 1410 mm	2

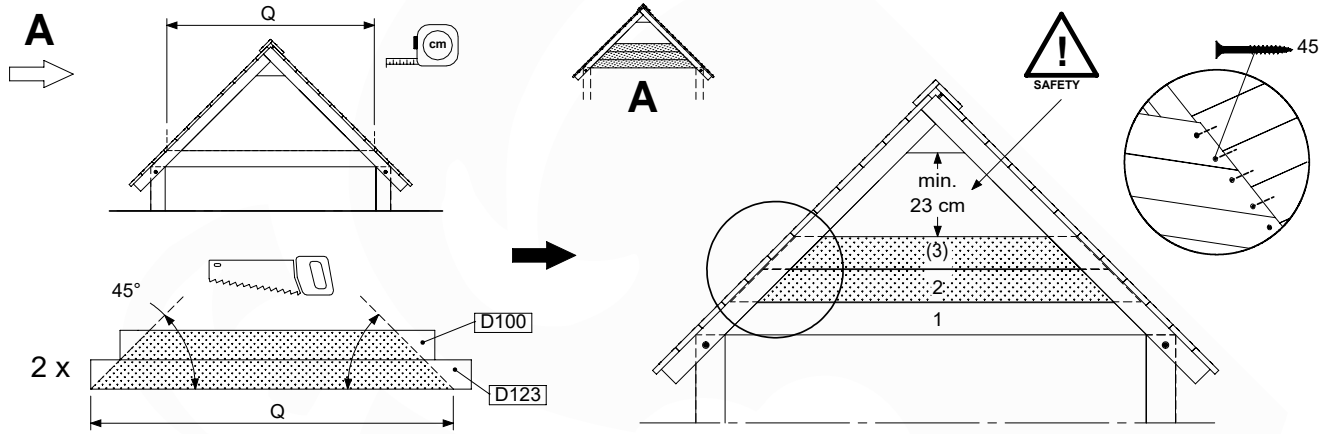
Playhouse Roof Panels - P03 DL90° - 15/03/2024 - v1.1



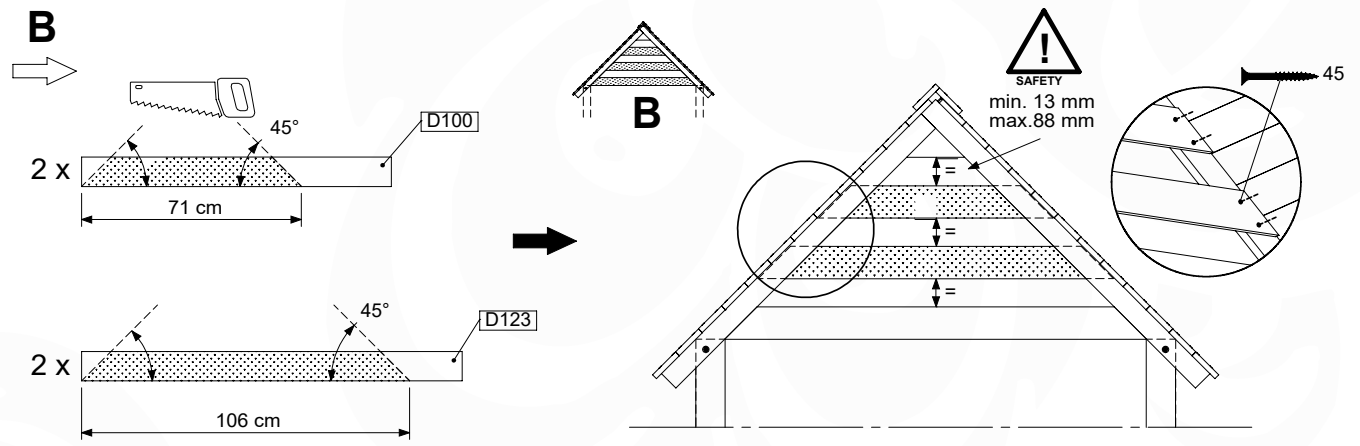
Playhouse Roof Panels - P07 DL90° - 15/03/2024 - v1.1



20.1



Playhouse Roof Panels - P11 DL90° - 15/03/2024 - v1.1

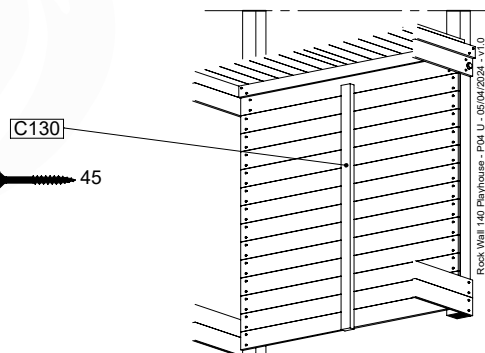
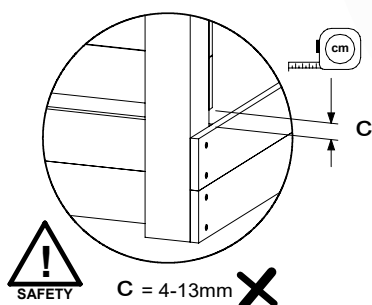
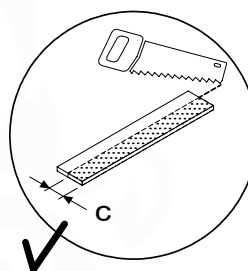
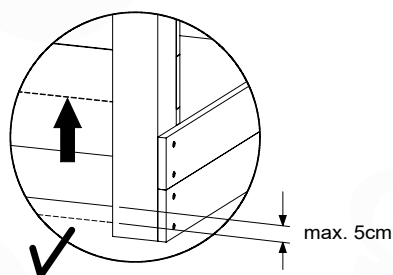
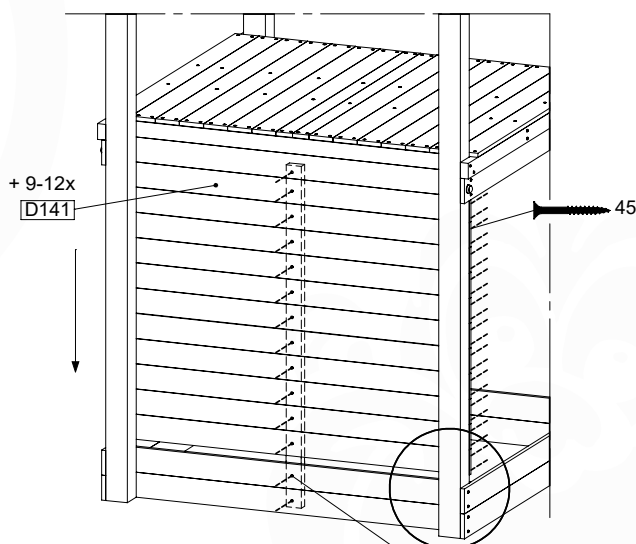
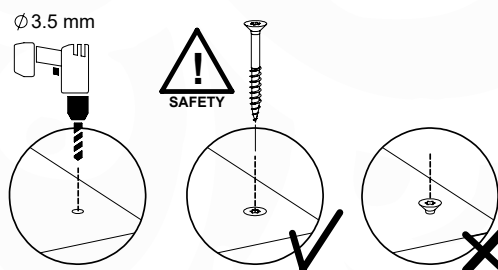
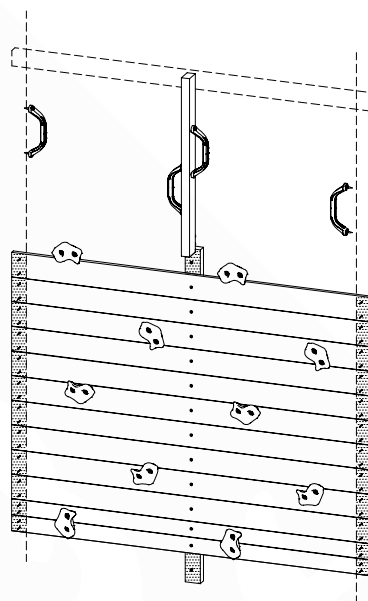


21 RW46a: Rock wall 140 Playhouse U

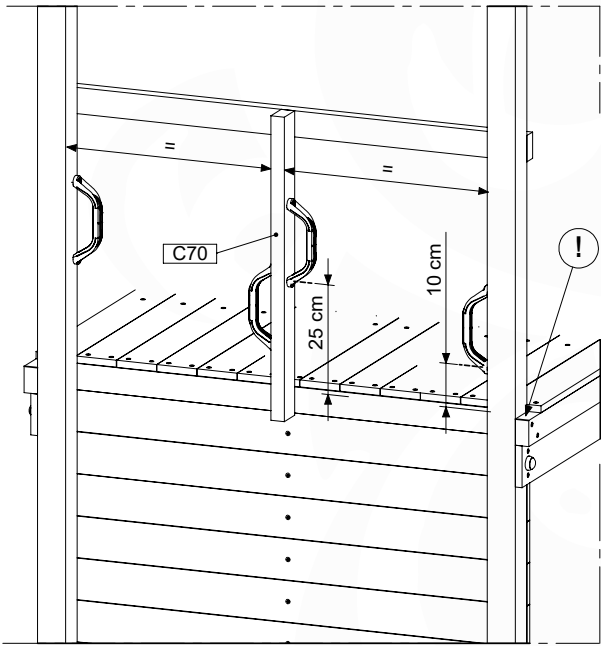
Assembly Packs: 194_006 (2x)

	PartNo	PartName	QTY.
Hardware + Parts	001_102	Washer Head Screw T40 M8x30	20
	002_220	Gap Point Screw T25 - 5x45	62
	002_223	Gap Point Screw T25 - 5x80	4
	003_010	M8 spring lock washer	20
	004_050	M8 Drive-in Nut 22mm	20
	022_50x	Climbing Rock	10
	120_102	Handgrip set (2x Complete)	2
Timber	C70	Beam 700 mm	1
	C130	Beam 1300 mm	1
	D141	Board 1410 mm	12

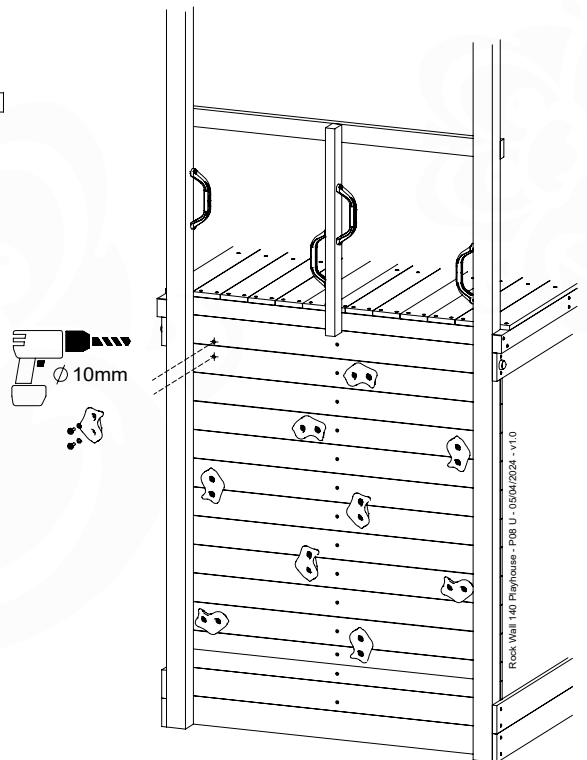
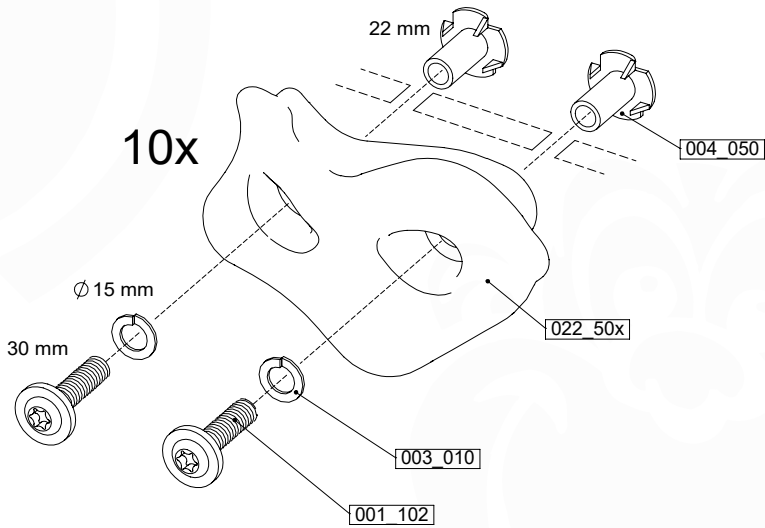
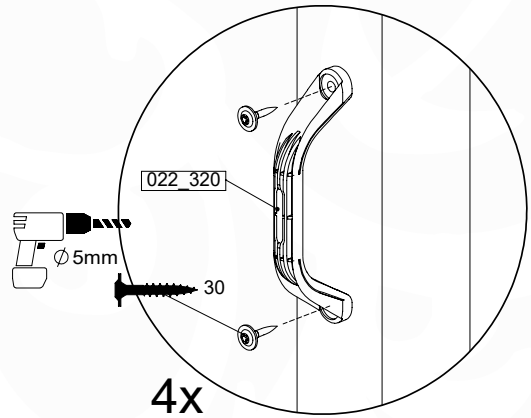
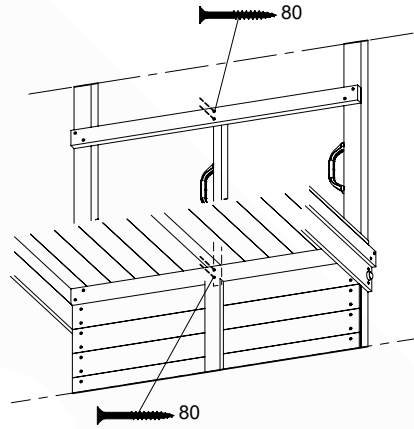
Rock Wall 140 Playhouse - P02 U - 05/04/2024 - v1.0



Rock Wall 140 Playhouse - P04 U - 05/04/2024 - v1.0



Rock Wall 140 Playhouse - P06 U - 05/04/2024 - v1.0

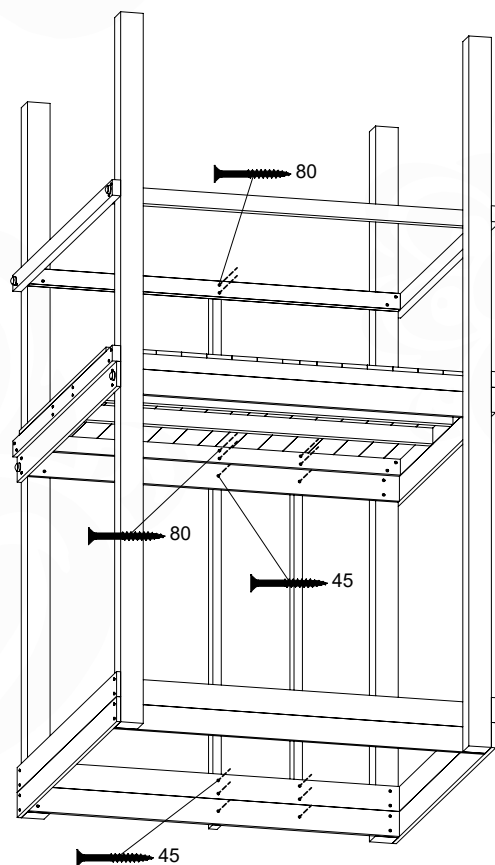
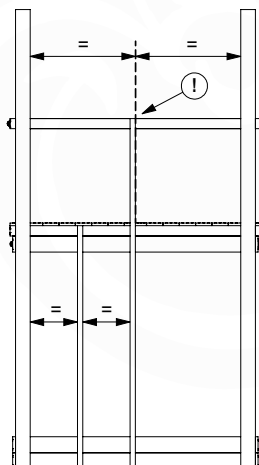
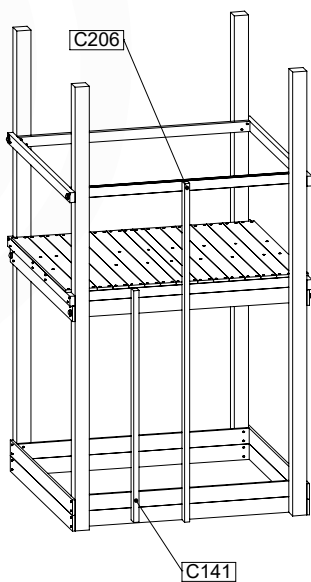
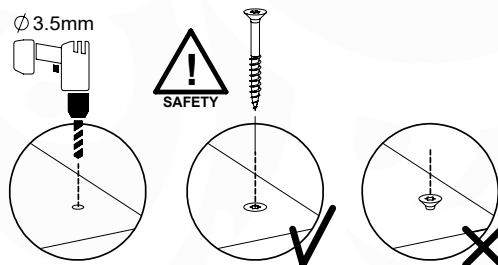
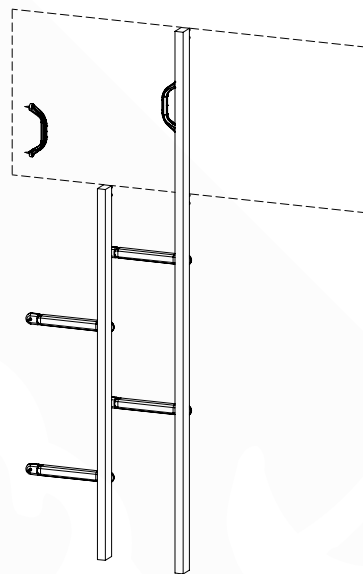


22 TS17a: TwoStep 140 145 U Left

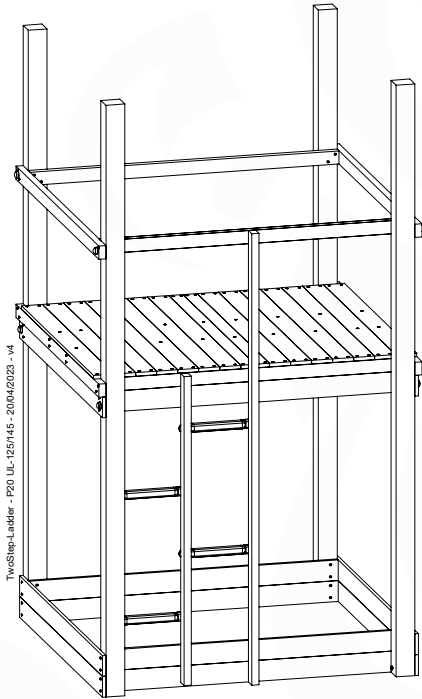
(194_002)

	PartNo	PartName	QTY.
Hardware pack	001_406	Stealth Screw 8x45	8
	002_220	Gap Point Screw T25 - 5x45	8
	002_223	Gap Point Screw T25 - 5x80	6
Other	022_53x	Ladder/ Rope Rung 30cm	4
	022_84x	bpc cover	8
	120_102	Handgrip set (complete 2x)	1
Timber	C141	Beam 1410 mm	1
	C206	Beam 2060 mm	1

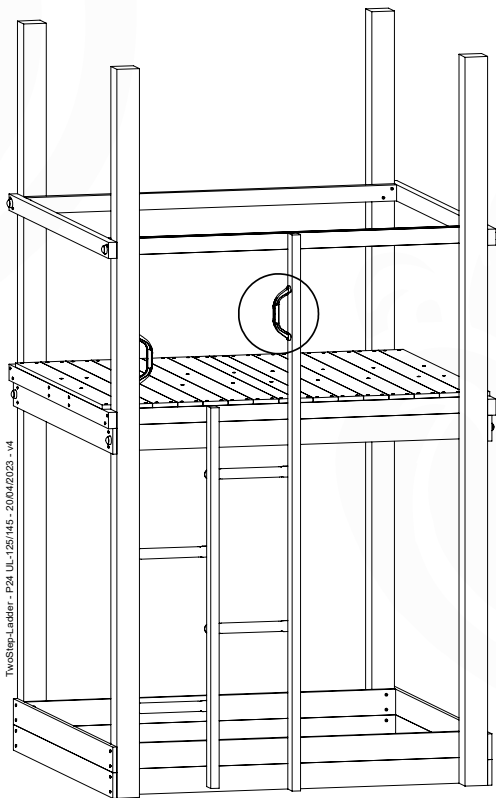
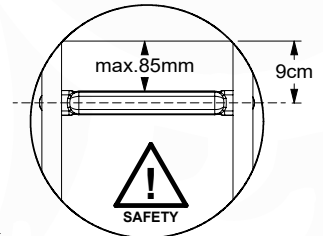
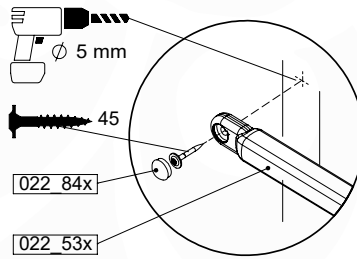
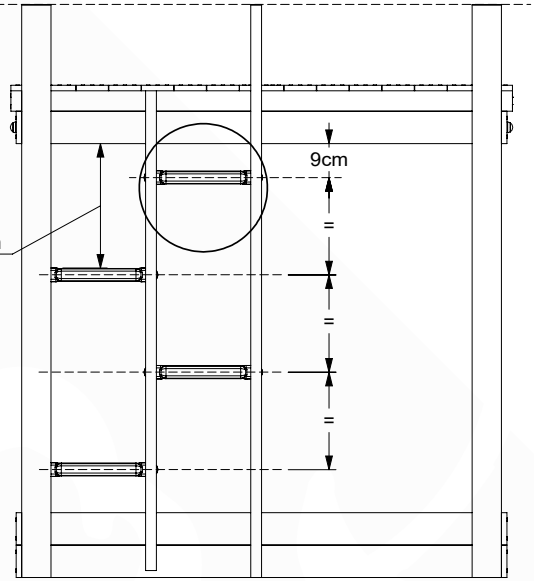
TwoStep-Ladder - P08 UL-145 - 20/04/2023 - v4



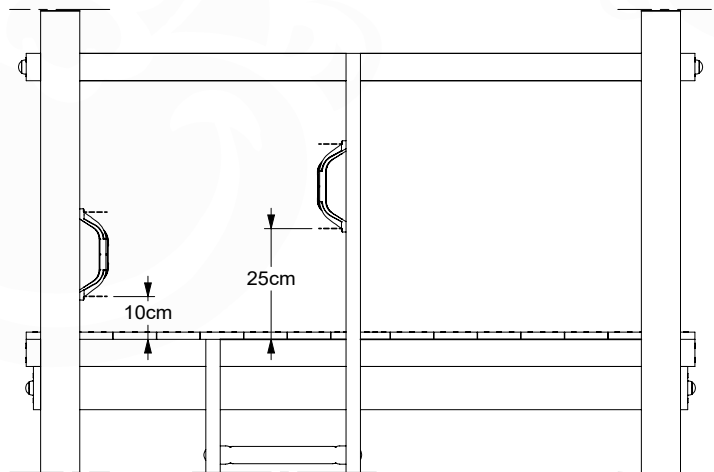
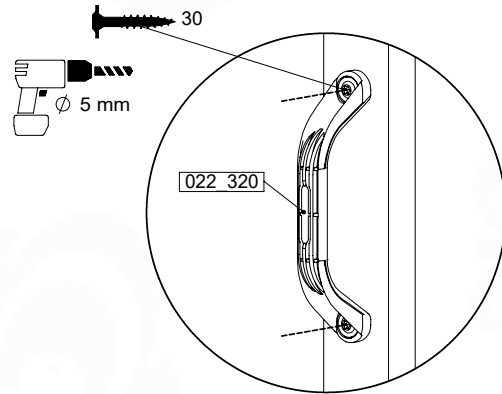
TwoStep-Ladder - P11 UL-145 - 20/04/2023 - v4



TwoStep-Ladder - P20 UL-125/145 - 20/04/2023 - v4



TwoStep-Ladder - P21 UL-125/145 - 20/04/2023 - v4

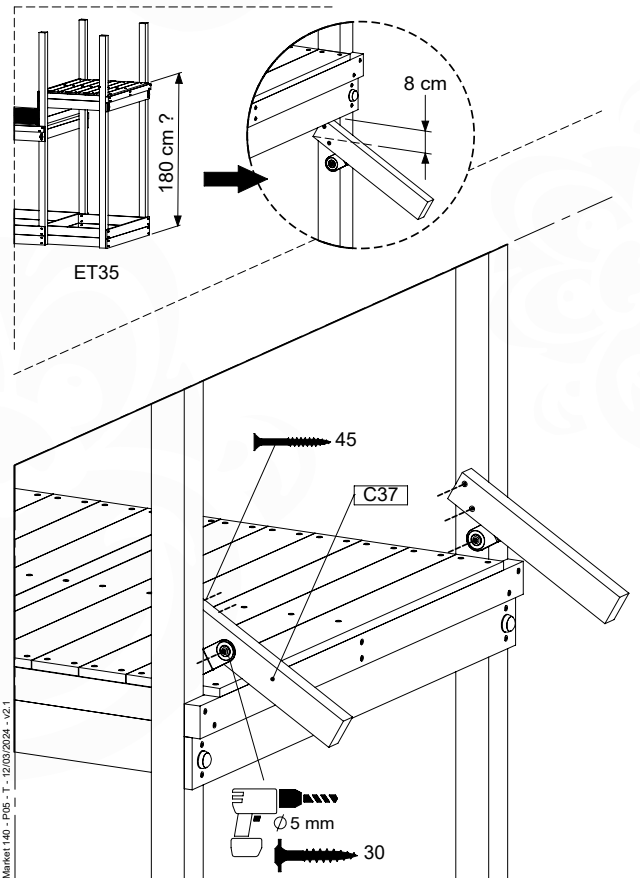
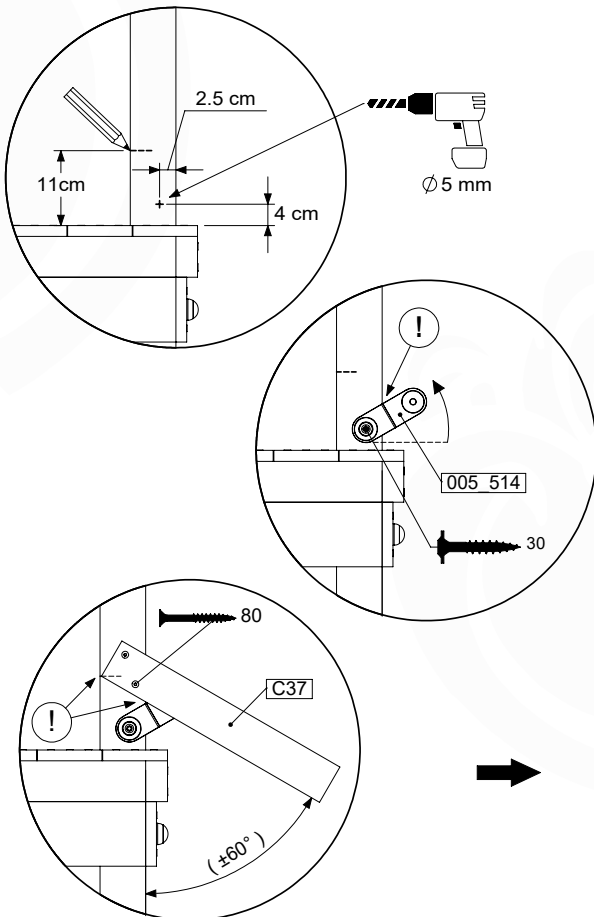
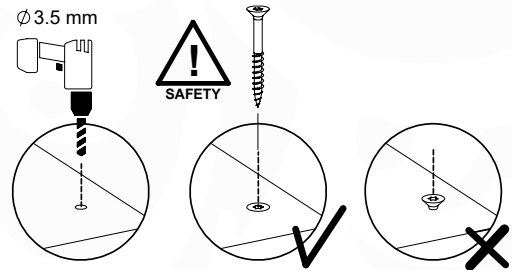
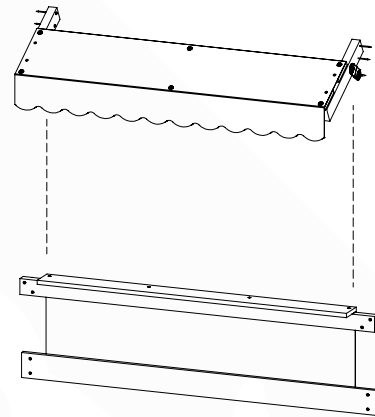


23 MT12a: Market 140 T

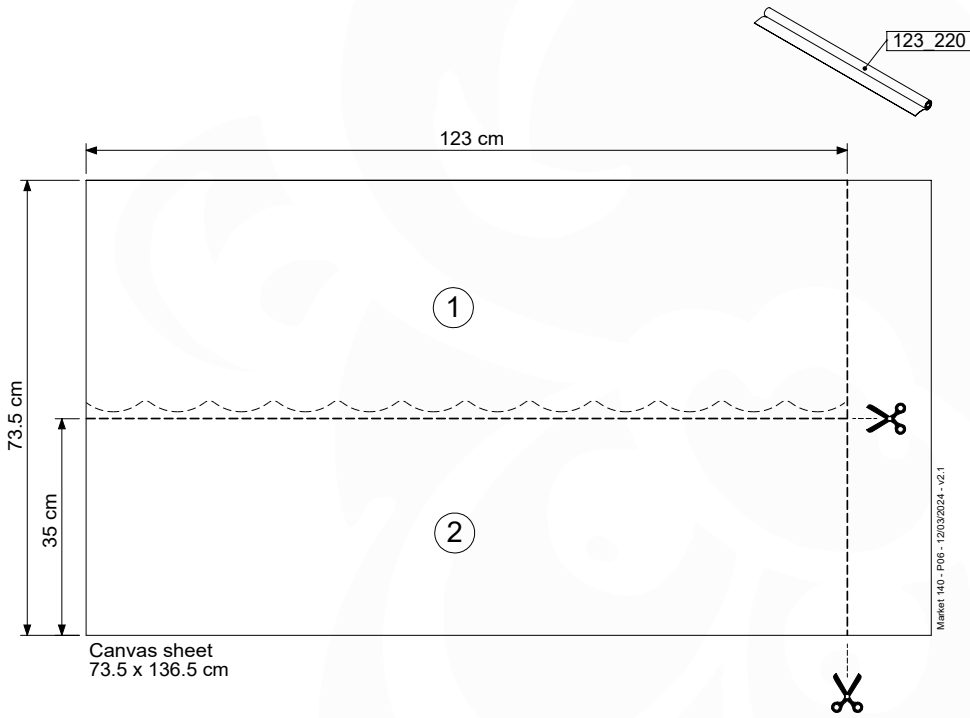
(194_811)

	PartNo	PartName	QTY.
Hardware Pack	001_404	Stealth Screw 8x30	4
	002_220	Gap Point Screw T25 - 5x45	16
	002_223	Gap Point Screw T25 - 5x80	8
	002_308	Gap Point Screw T25 - 5x20	10
	005_514	Ladder Bracket	2
	023_031	Finishing Washer GPS 5.0	10
Other	123_220	Canvas sheet 735x1365mm	1
Timber	C37	Beam 370 mm	2
	C141	Beam 1410 mm	1
	D123	Board 1230 mm	3
	D141	Board 1410 mm	1

Market 140 - P03 - T - 12/03/2024 - v2.1

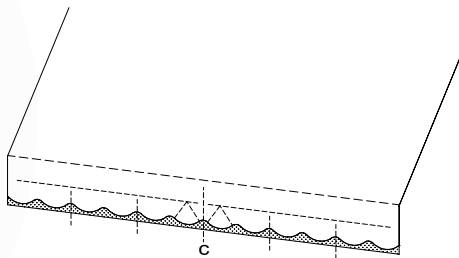
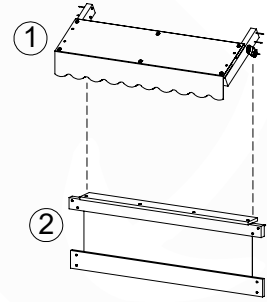


Market 140 - P03 - T - 12/03/2024 - v2.1

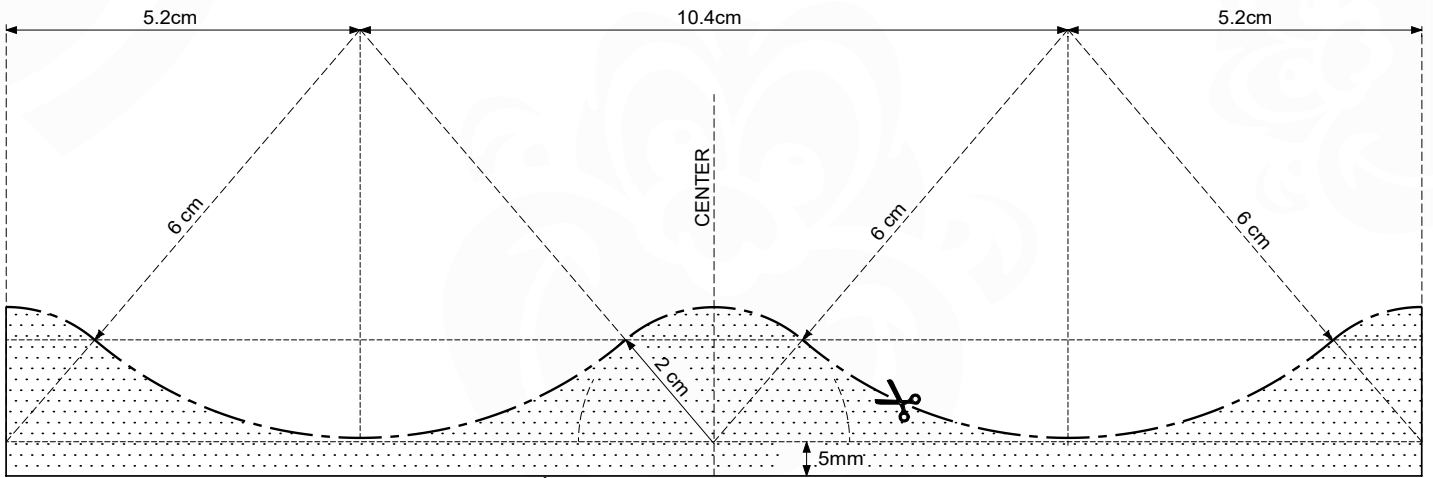


Canvas sheet
73.5 x 136.5 cm

Markket 140 - P08 - 12/03/2024 - v2.1



EXAMPLE PATTERN
BEISPIELVORLAGE FÜR MARKISE
SCHEMA SUGGÈRE DE DÉCOUPE POUR AUVENT
VOORBEELDSJABLOON LUIFEL

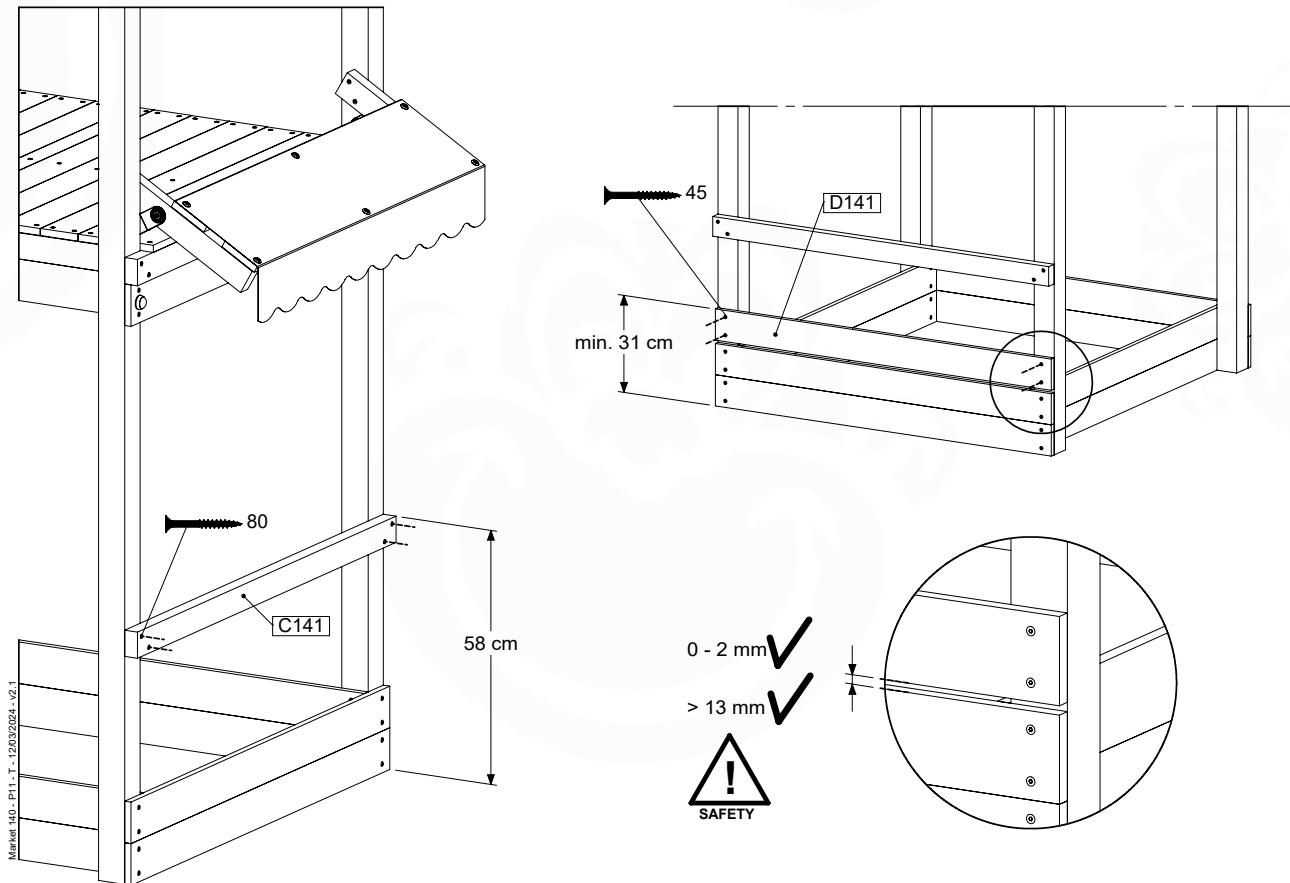
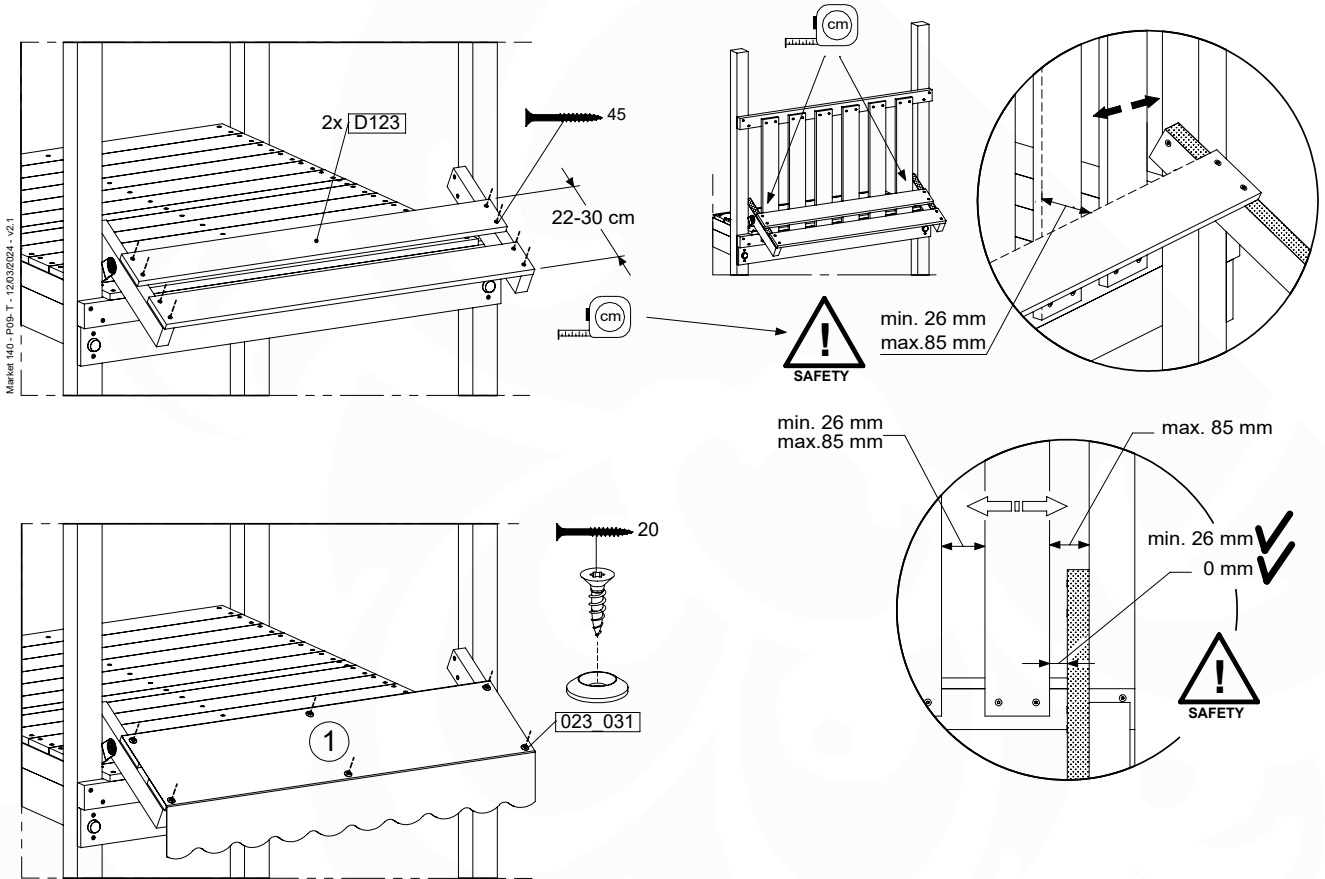


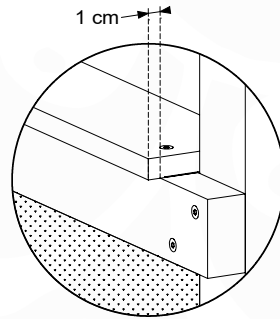
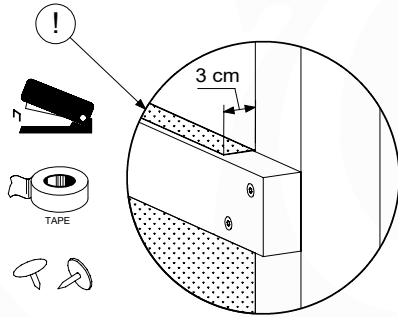
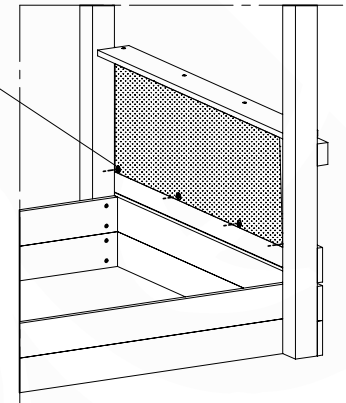
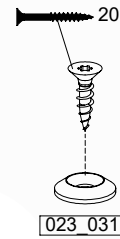
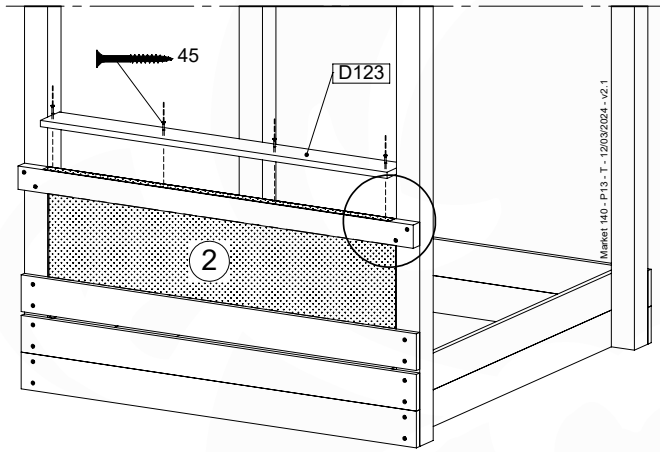
Markket 140 - P07 - Pattern - 12/03/2024 - v2.1

← repeat

repeat →

! Scale of print may not be accurate.
Druckformat kann abweichen.
Les tailles imprimées peuvent varier.
Printformaat kan afwijken.



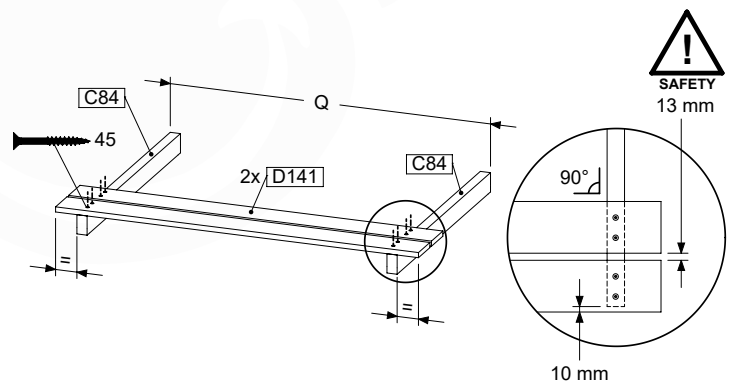
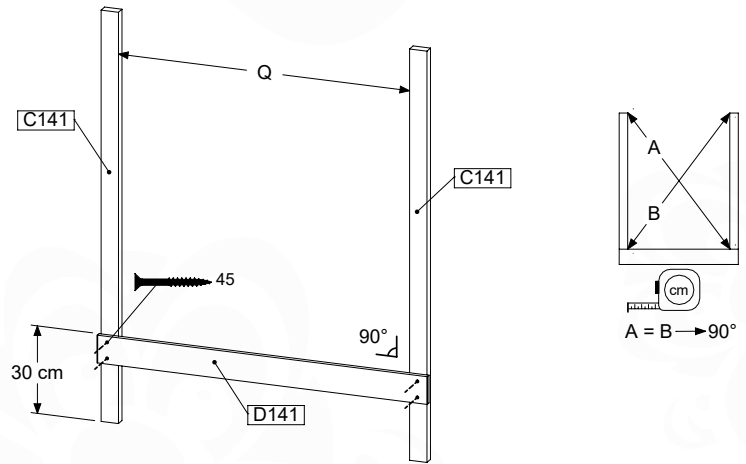
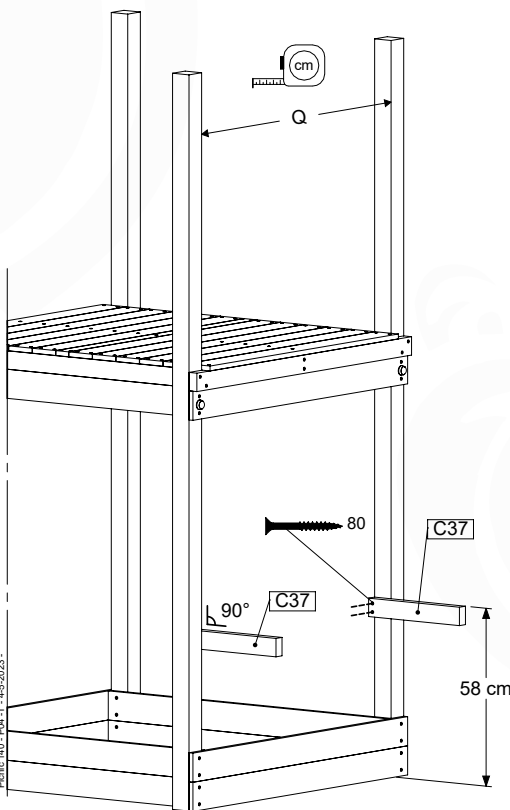
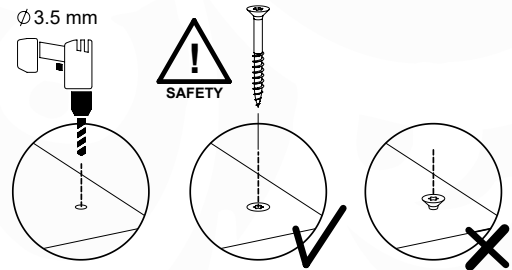
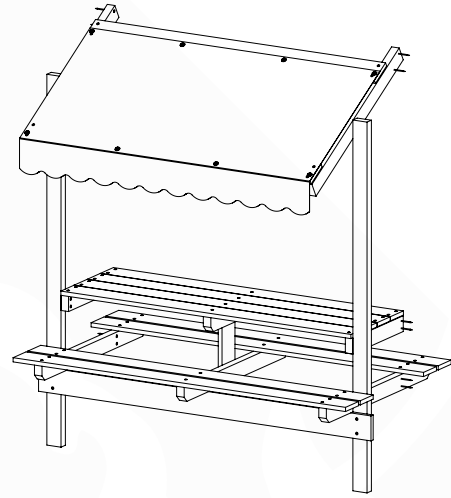


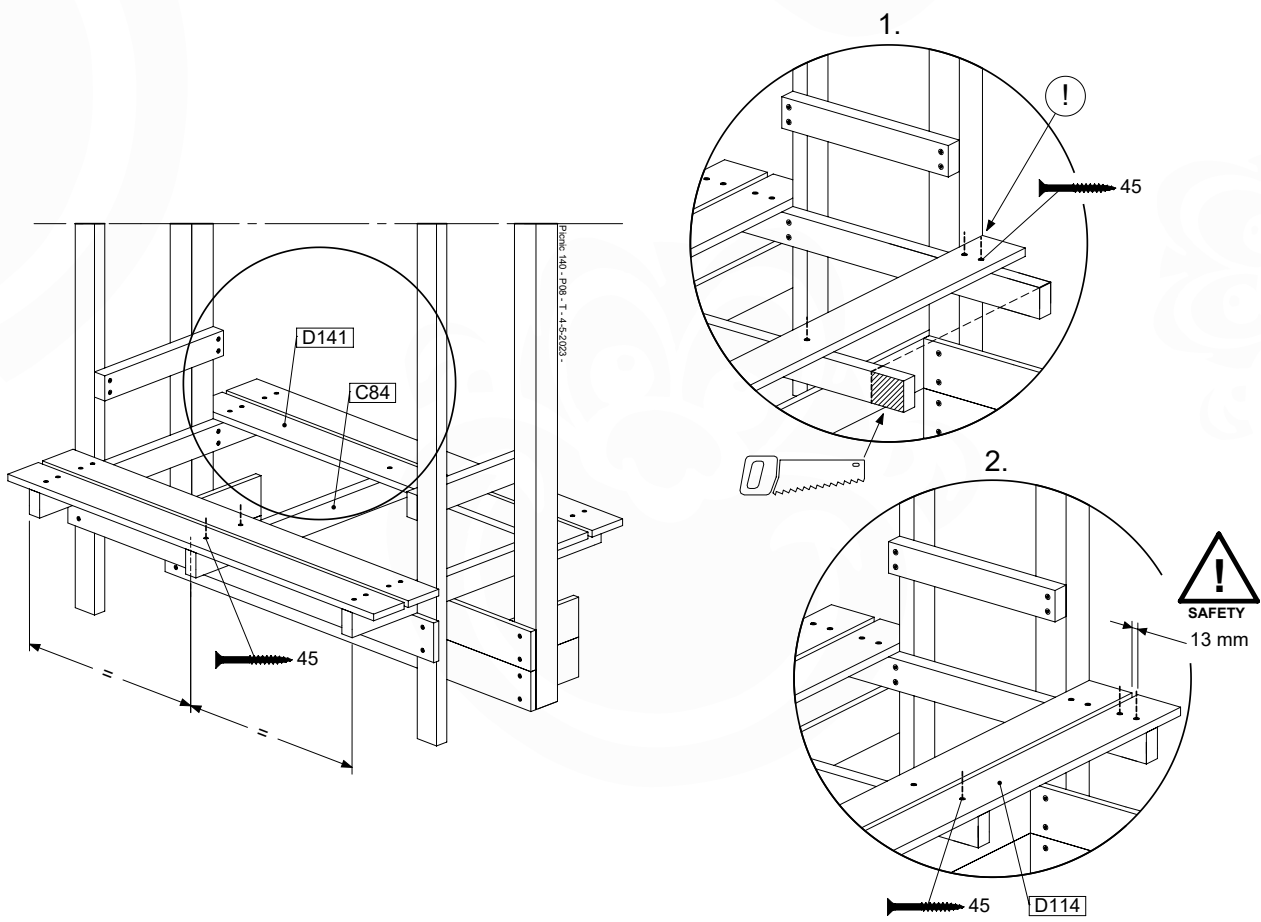
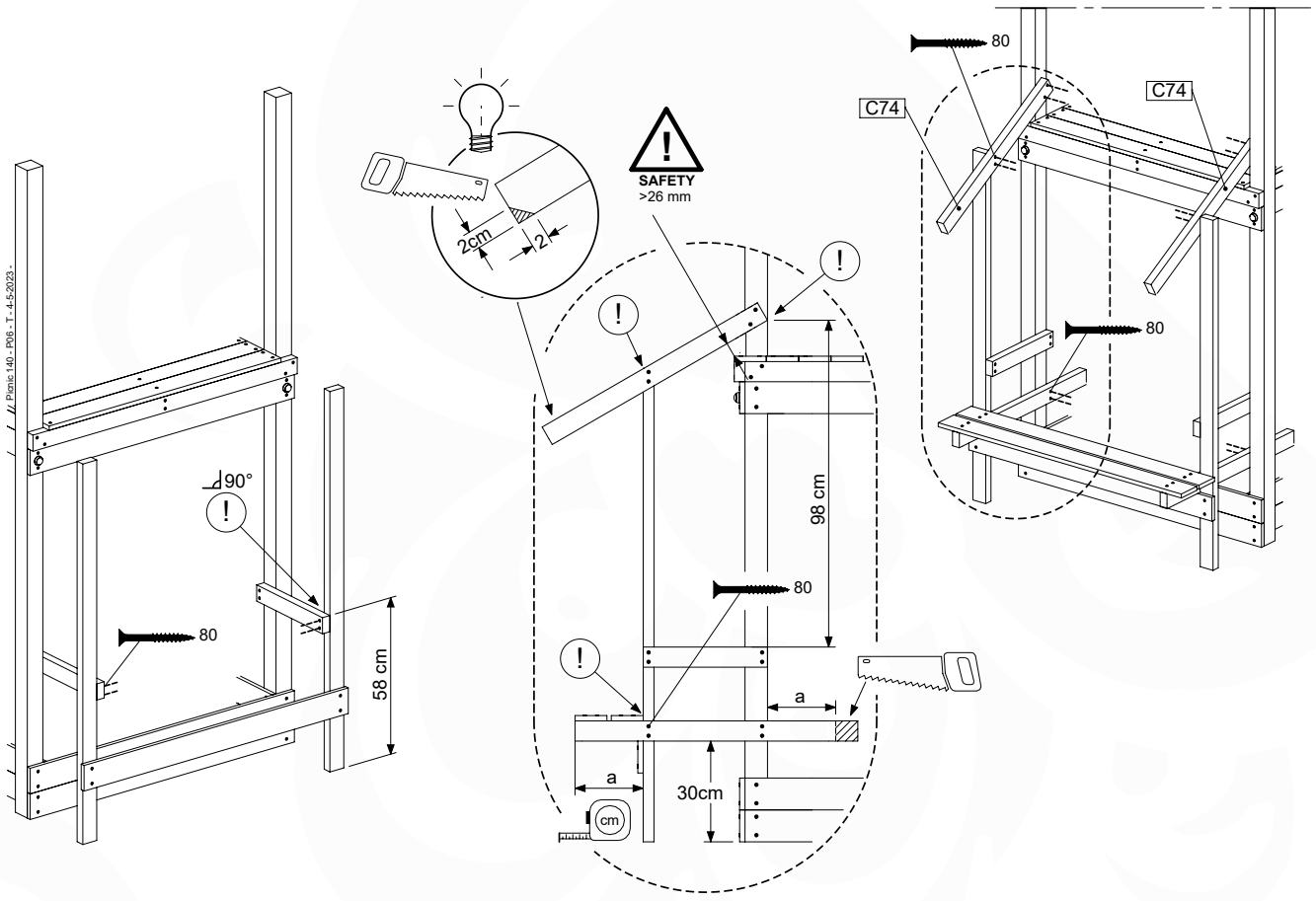
24 PC10a: Picnic 140 T

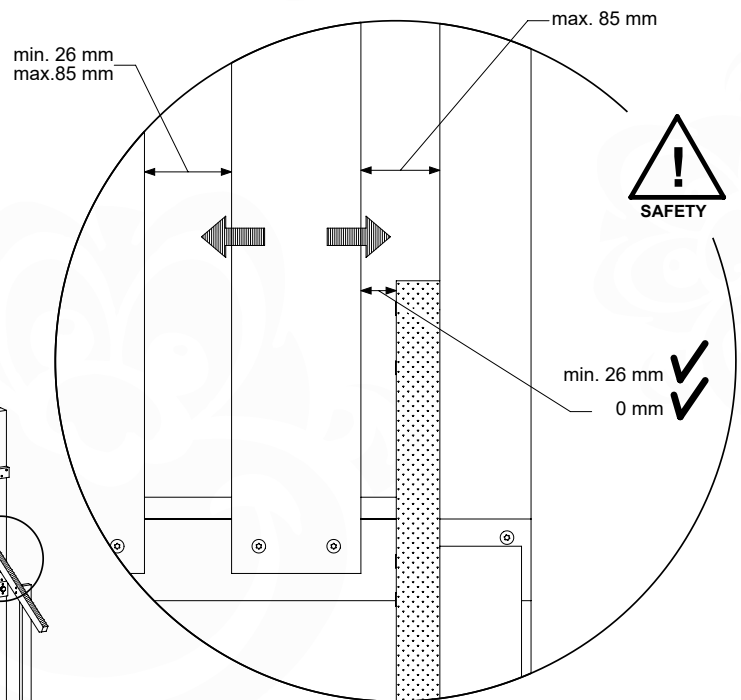
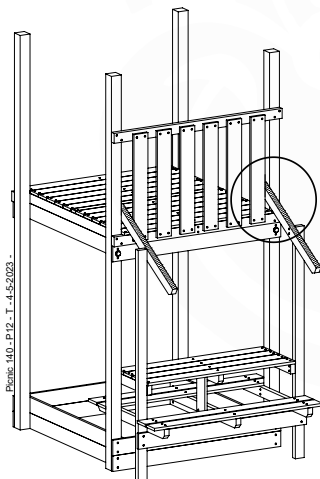
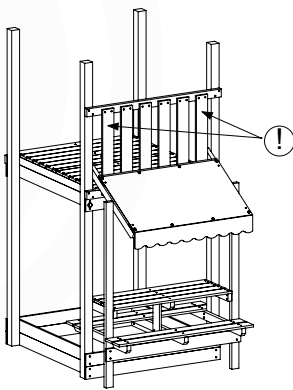
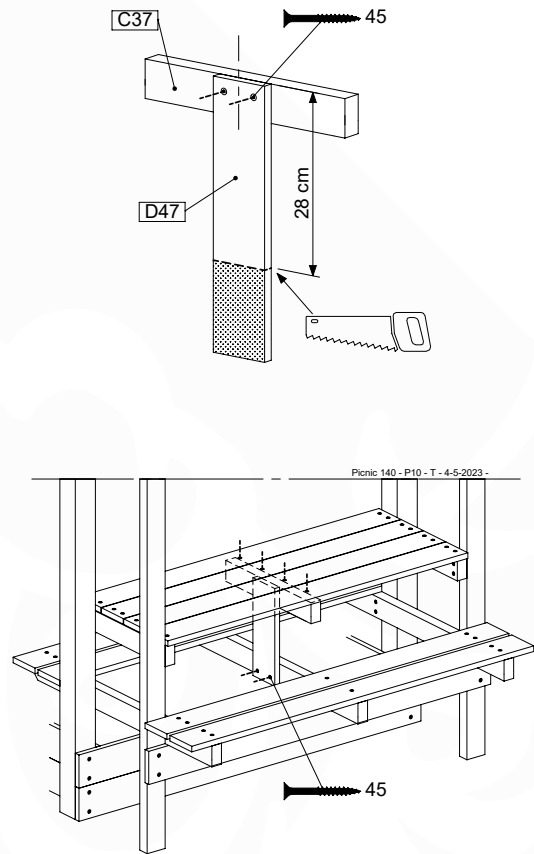
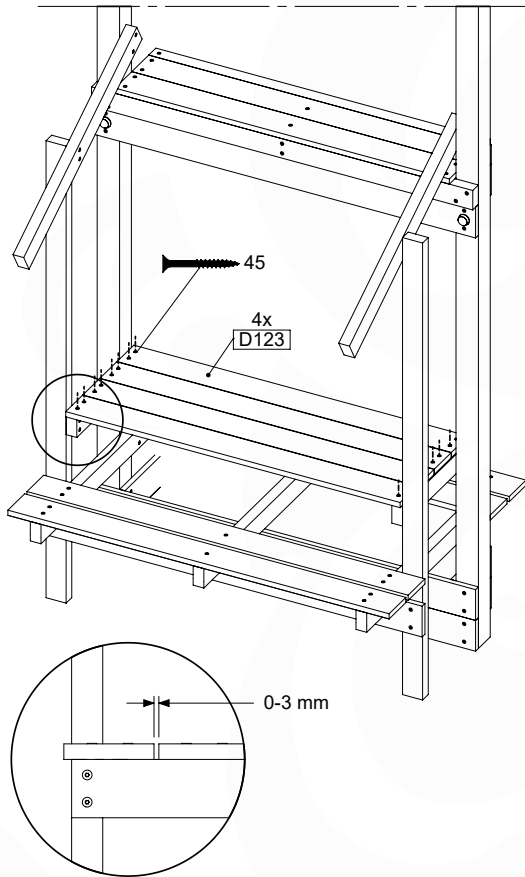
(194_810)

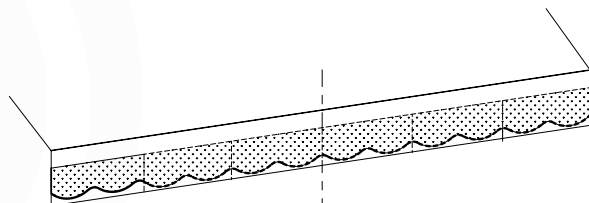
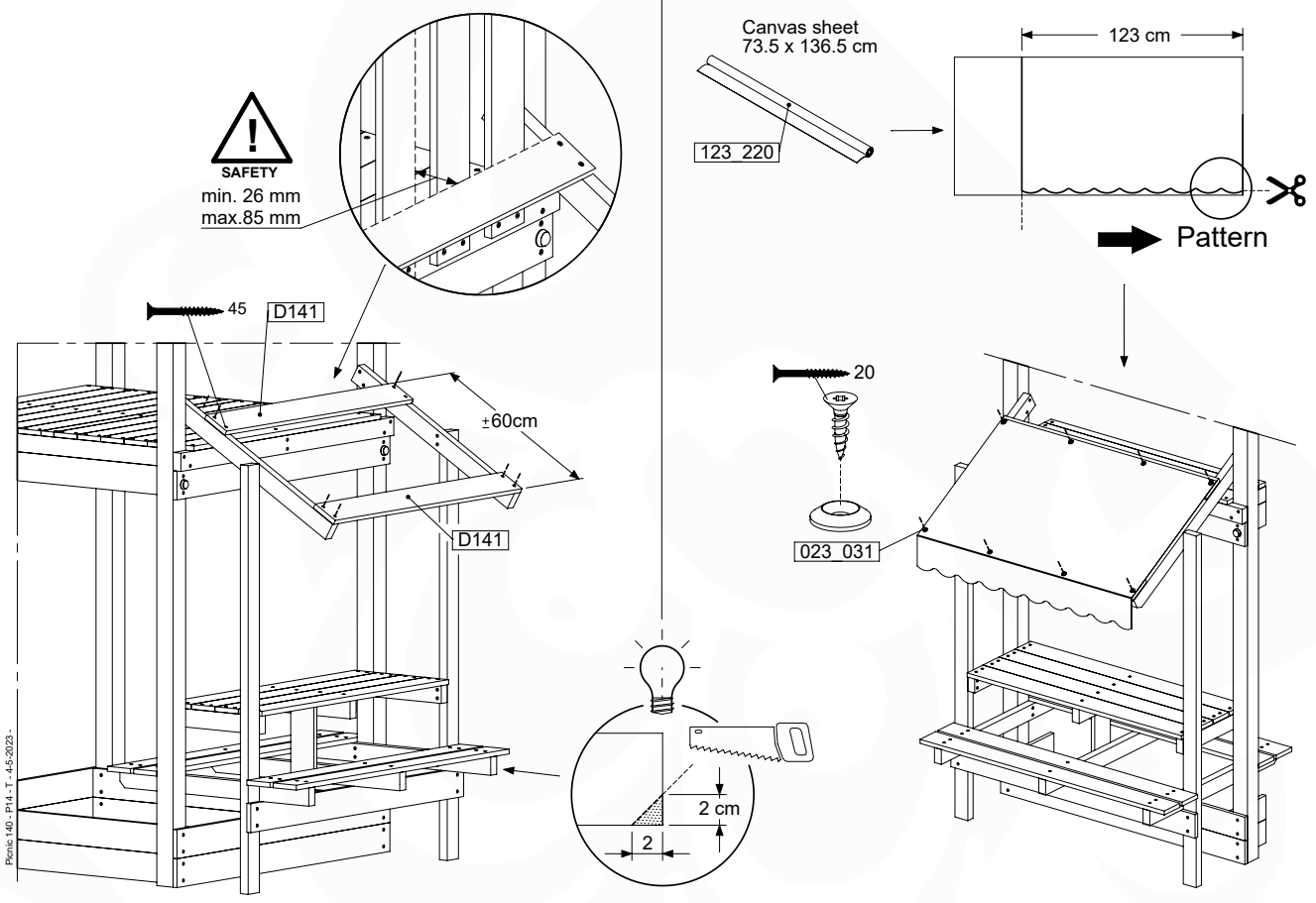
	PartNo	PartName	QTY.
Hardware Pack	002_220	Gap Point Screw T25 - 5x45	56
	002_223	Gap Point Screw T25 - 5x80	24
	002_308	Gap Point Screw T25 - 5x20	8
	023_031	Finishing Washer GPS 5.0	8
Other	123_220	Canvas sheet 735x1365mm	1
Timber	C37	Beam 370 mm	3
	C74	Beam 740 mm	2
	C84	Beam 840 mm	3
	C141	Beam 1410 mm	2
	D47	Board 470 mm	1
	D123	Board 1230 mm	6
	D141	Board 1410 mm	5

Picnic 140 - P04.T - 4-5-2023

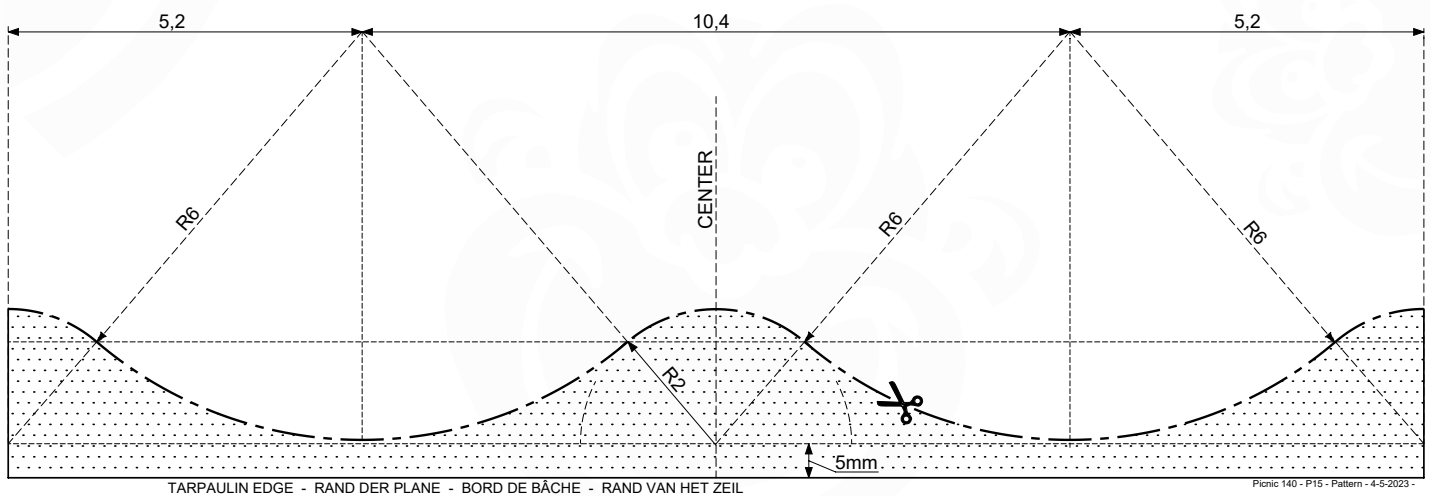








EXAMPLE PATTERN
BEISPIELVORLAGE FÜR MARKISE
SCHEMA SUGGÈRE DE DÉCOUPE POUR AUVENT
VOORBEELDSJABLOON LUIFEL



← repeat

repeat →

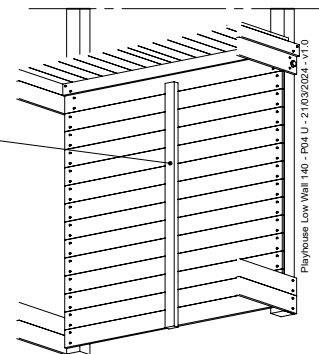
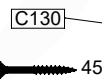
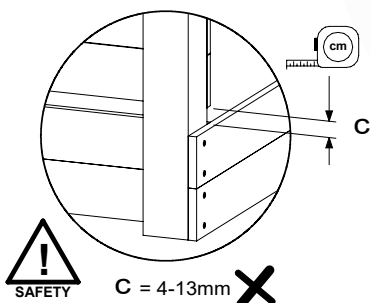
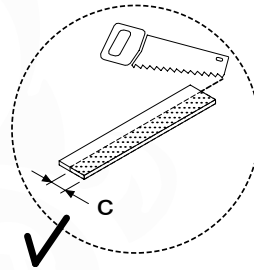
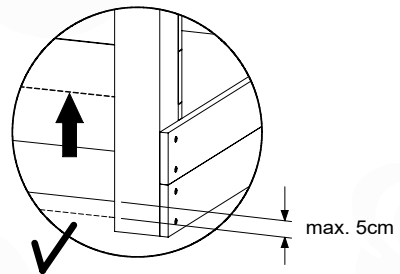
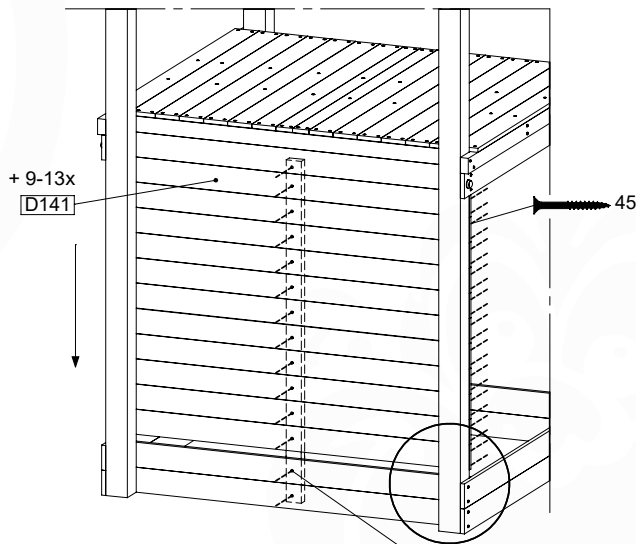
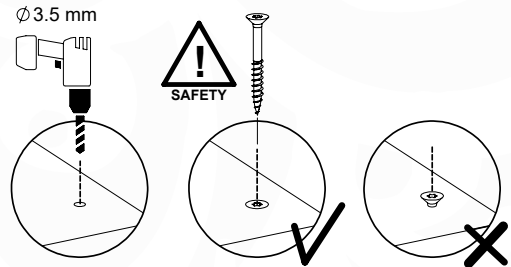
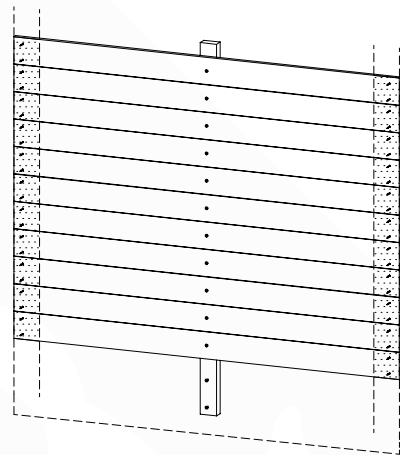
! Scale of print may not be accurate.
Druckformat kann abweichen.
Les tailles imprimées peuvent varier.
Printformaat kan afwijken.

25 PH50a: Playhouse Wall 140 U Low

Assembly Pack: 194_809

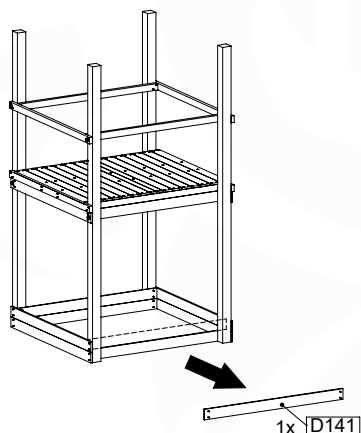
	PartNo	PartName	QTY.
Hardware Pack	002_220	Gap Point Screw T25 - 5x45	67
Timber	C130	Beam 1300 mm	1
	D141	Board 1410 mm	13

Playhouse Low Wall 140 - P02 U - 2103/2024 - v1.0



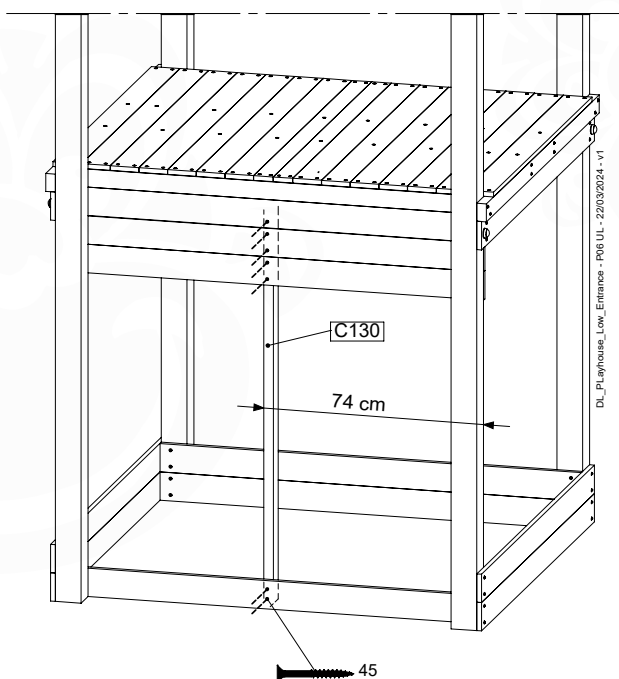
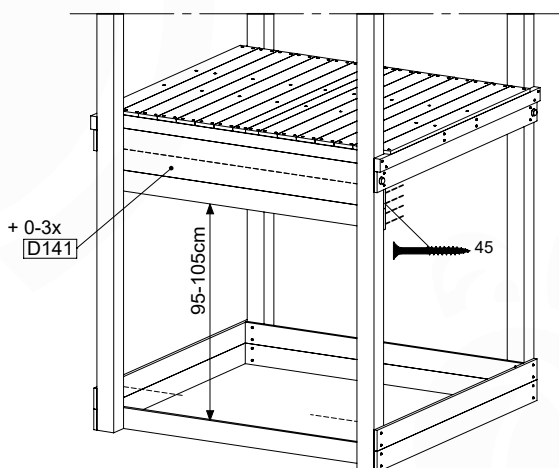
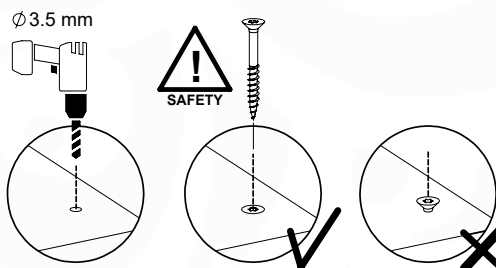
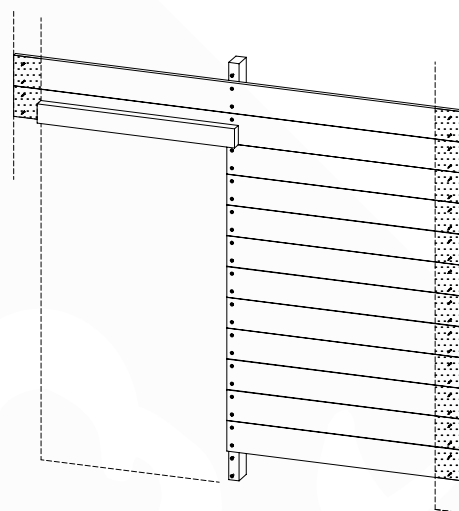
Playhouse Low Wall 140 - P04 U - 2103/2024 - v1.0

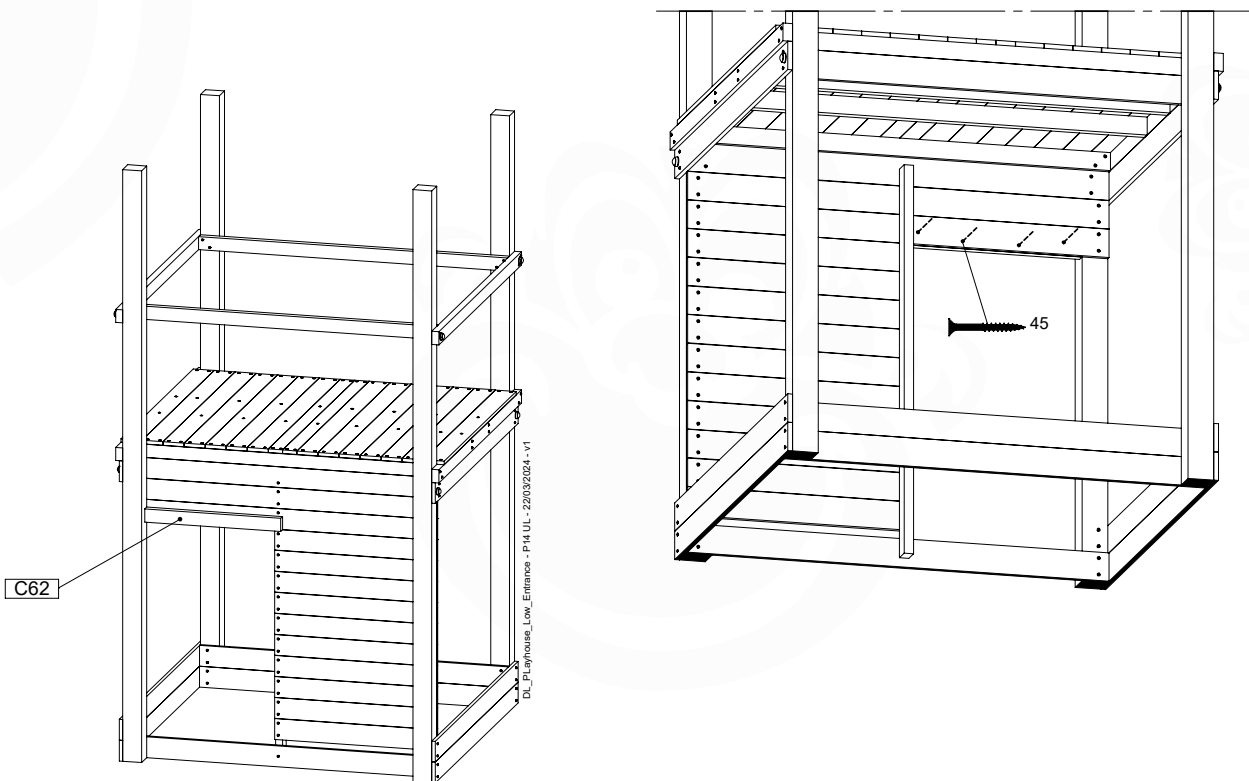
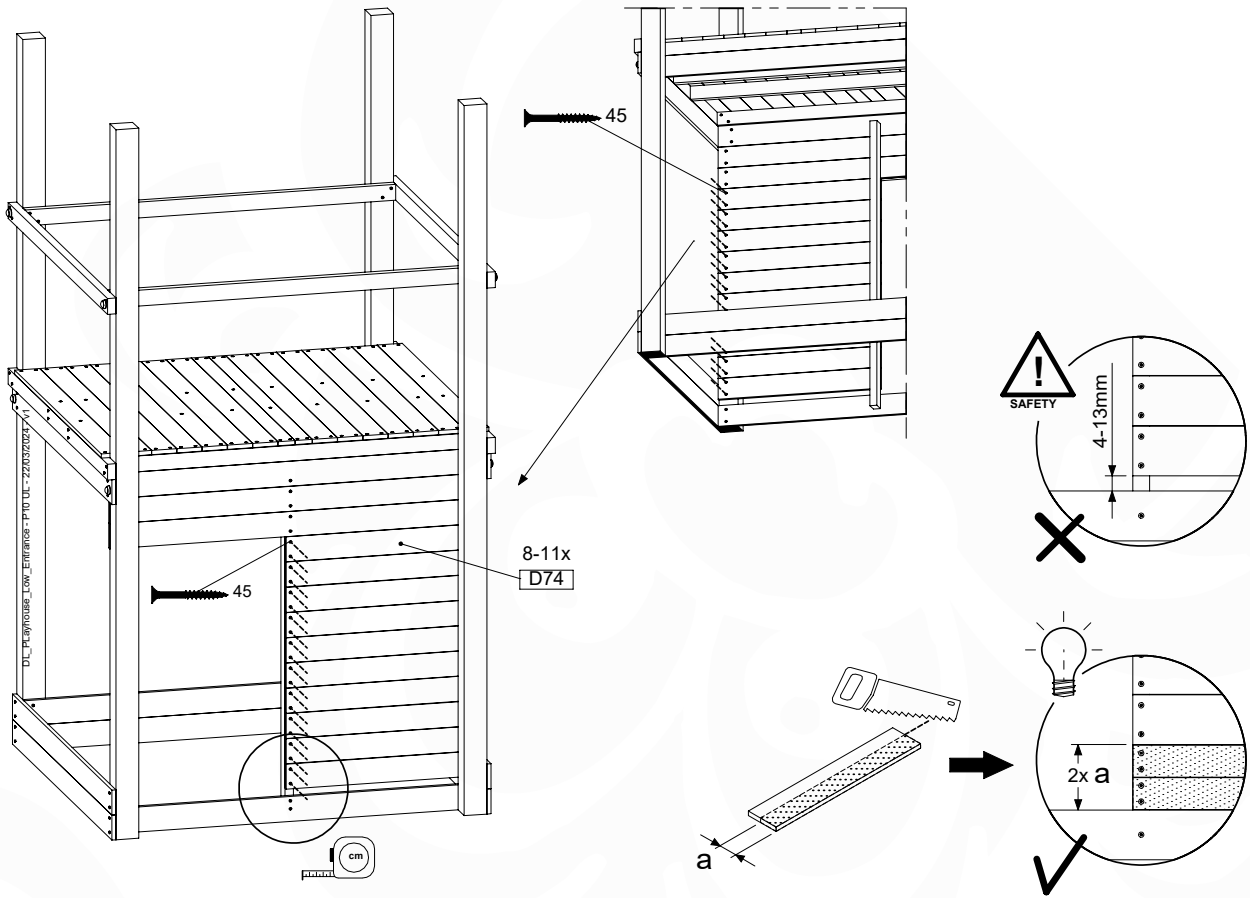
26 PH52a: Playhouse Entrance 140 UL Low



Assembly Pack: 194_809

	PartNo	PartName	QTY.
Hardware Pack	002_220	Gap Point Screw T25 - 5x45	66
Timber	C62	Beam 620 mm	1
	C130	Beam 1300 mm	1
	D74	Board 740 mm	11
	D141	Board 1410 mm	2



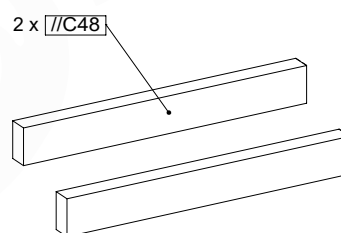
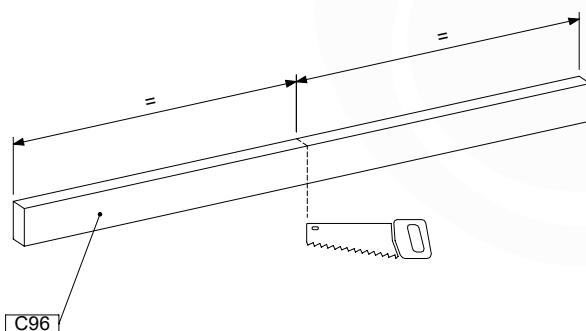
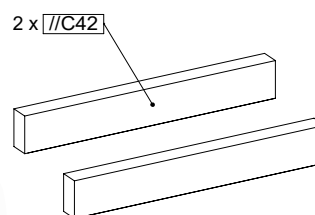
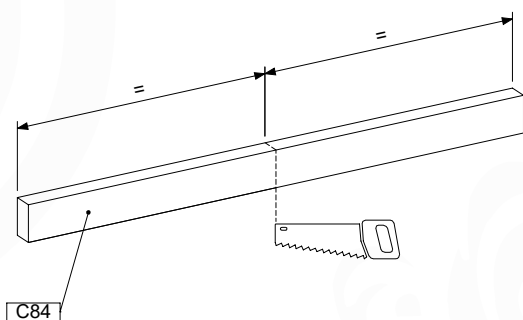
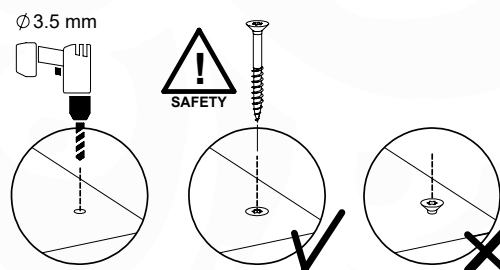
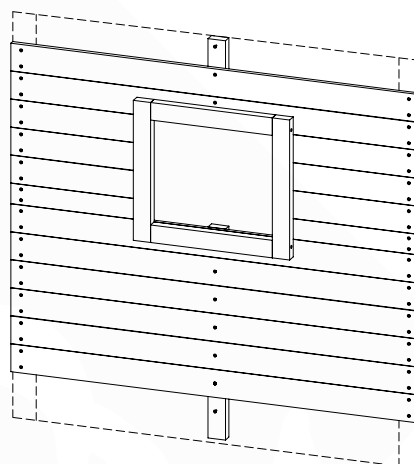


27 PH57a: Playhouse Window 140 T Low

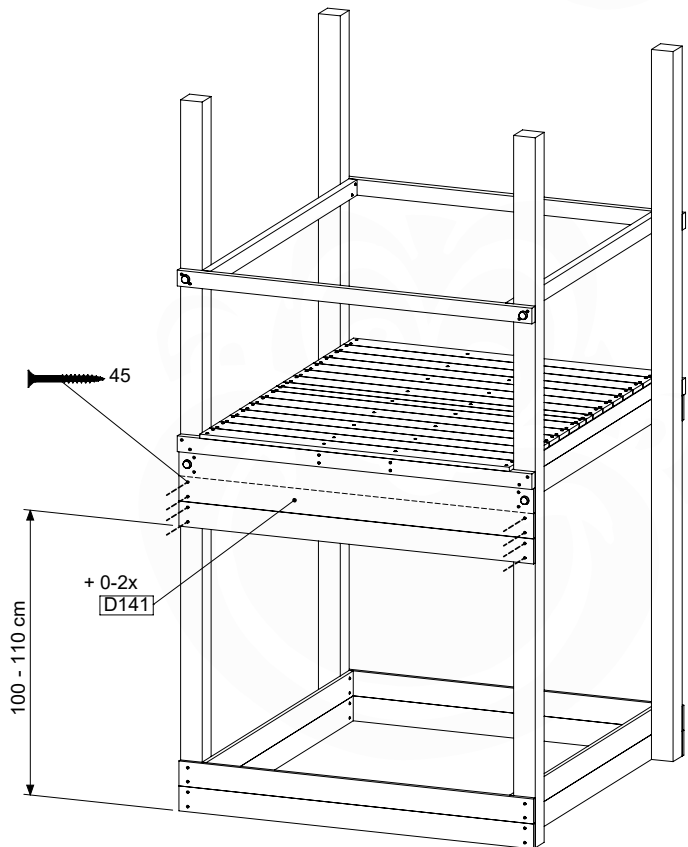
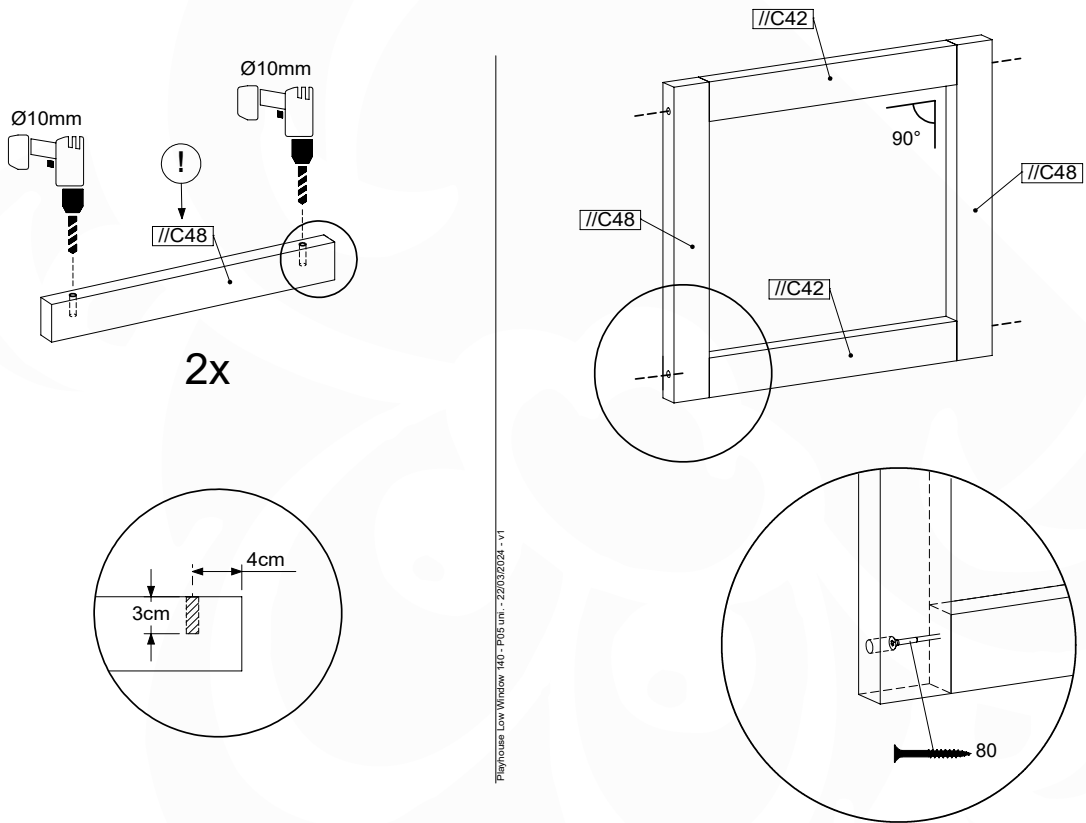
Assembly Pack: 194_508 / 194_804

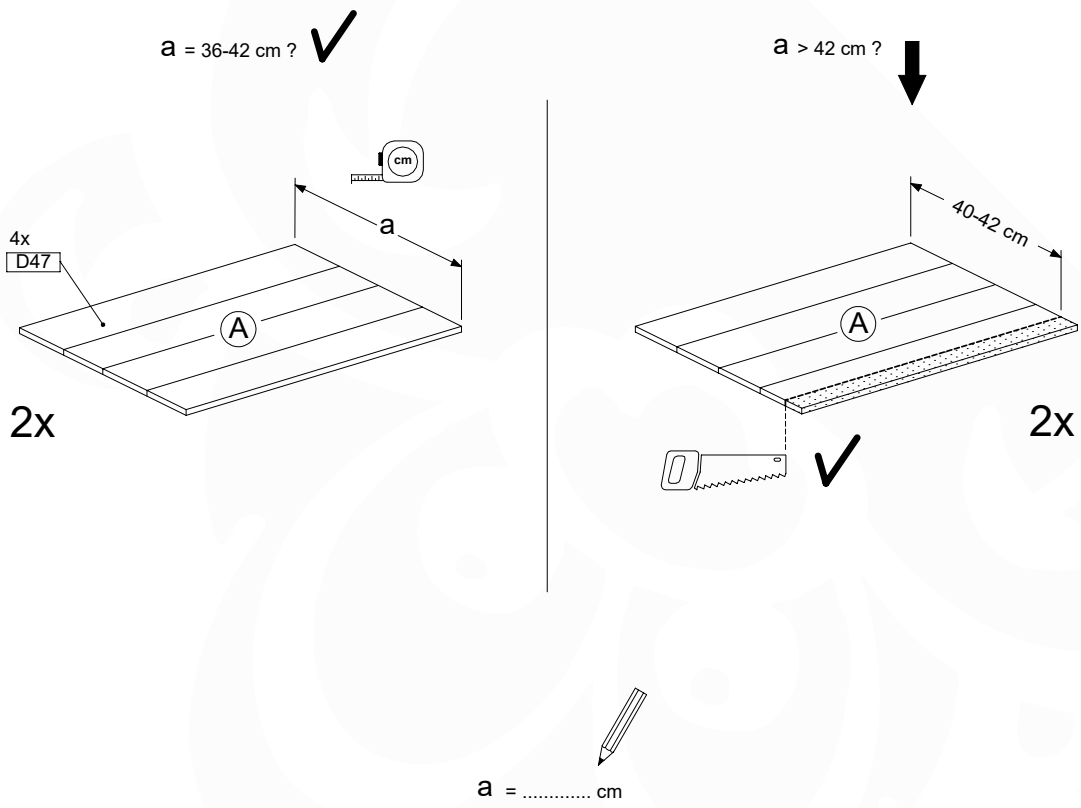
	PartNo	PartName	QTY.
Hardware Pack	002_220	Gap Point Screw T25 - 5x45	88
	002_223	Gap Point Screw T25 - 5x80	4
Timber	C84	Beam 840 mm	1
	C96	Beam 960 mm	2
	D47	Board 470 mm	8
	D141	Board 1410 mm	9

Playhouse Low Window 140 - P03 T - 22/03/2024 - v1

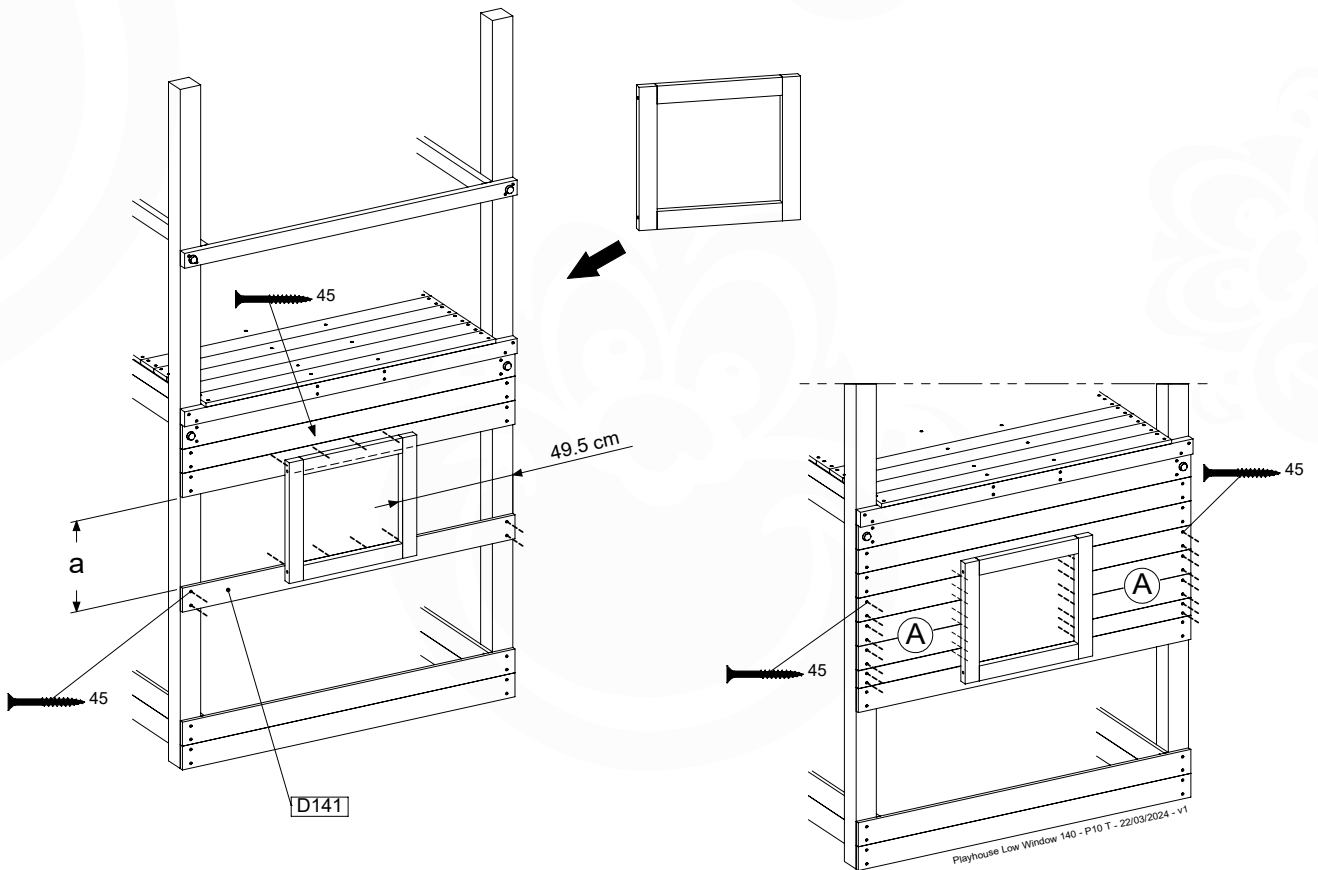


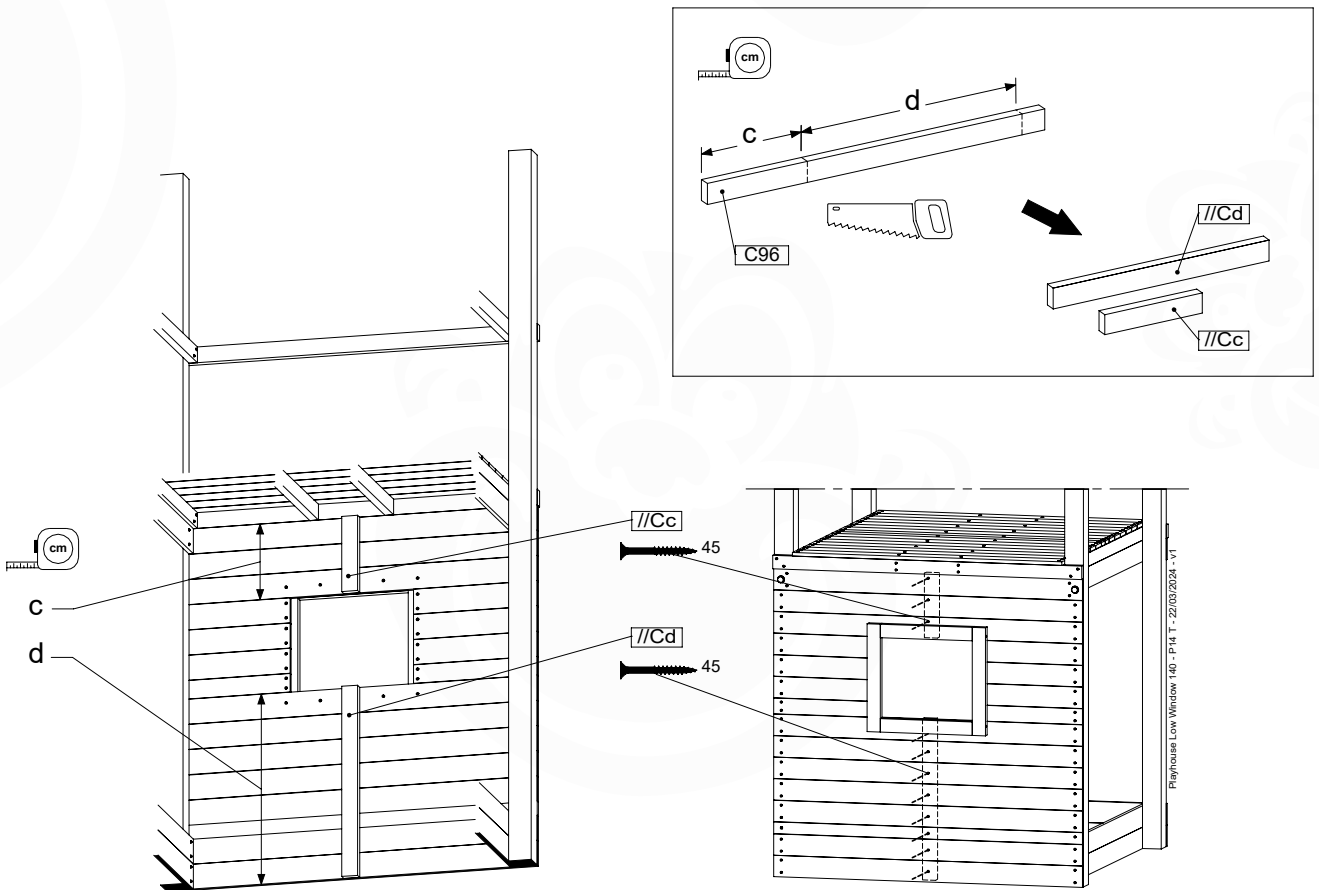
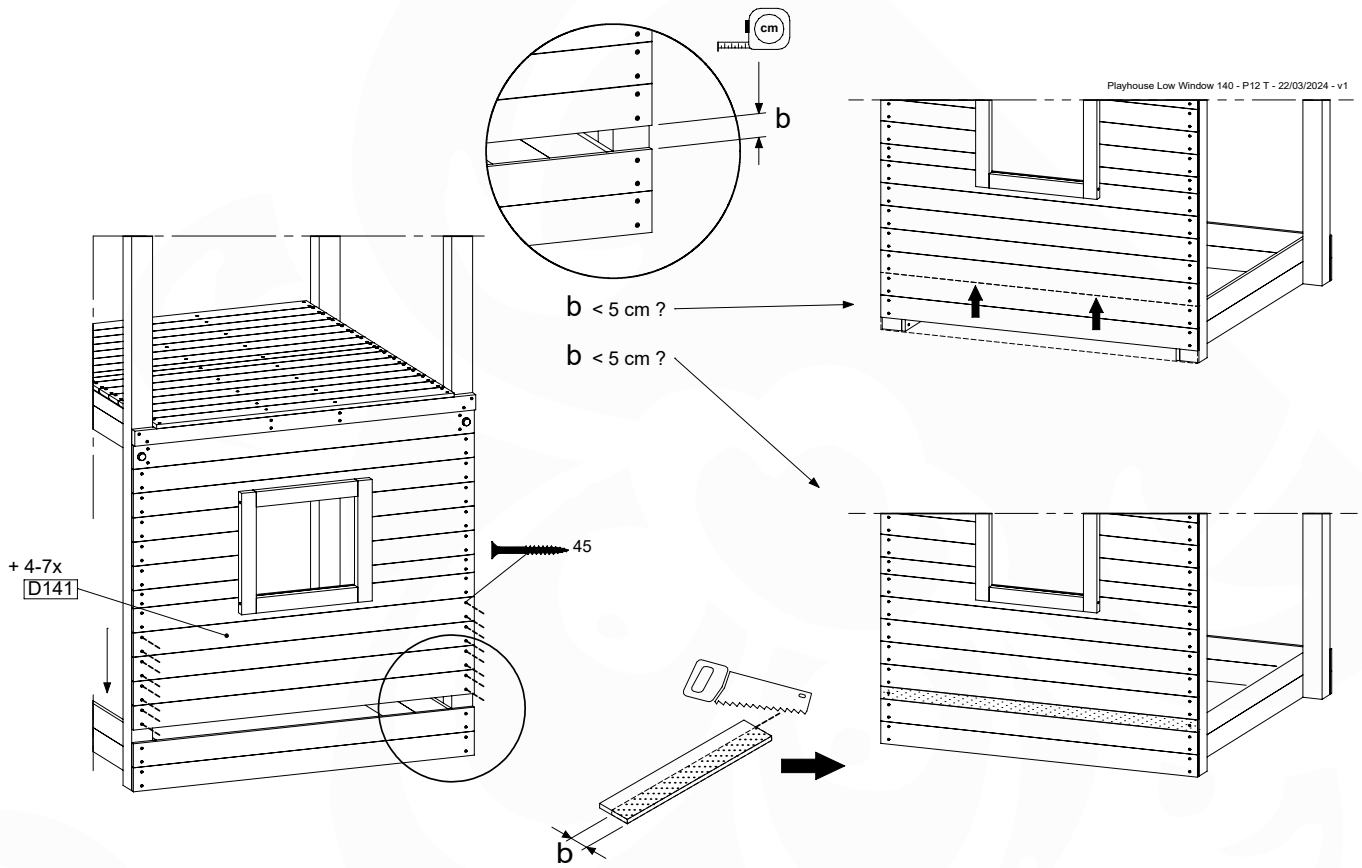
Playhouse Low Window 140 - P04 uni. - 22/03/2024 - v1



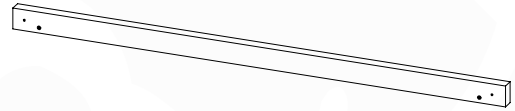
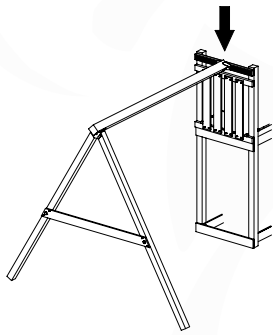


Playhouse Low Window 140 - P108 sur - 22/03/2024 - v1





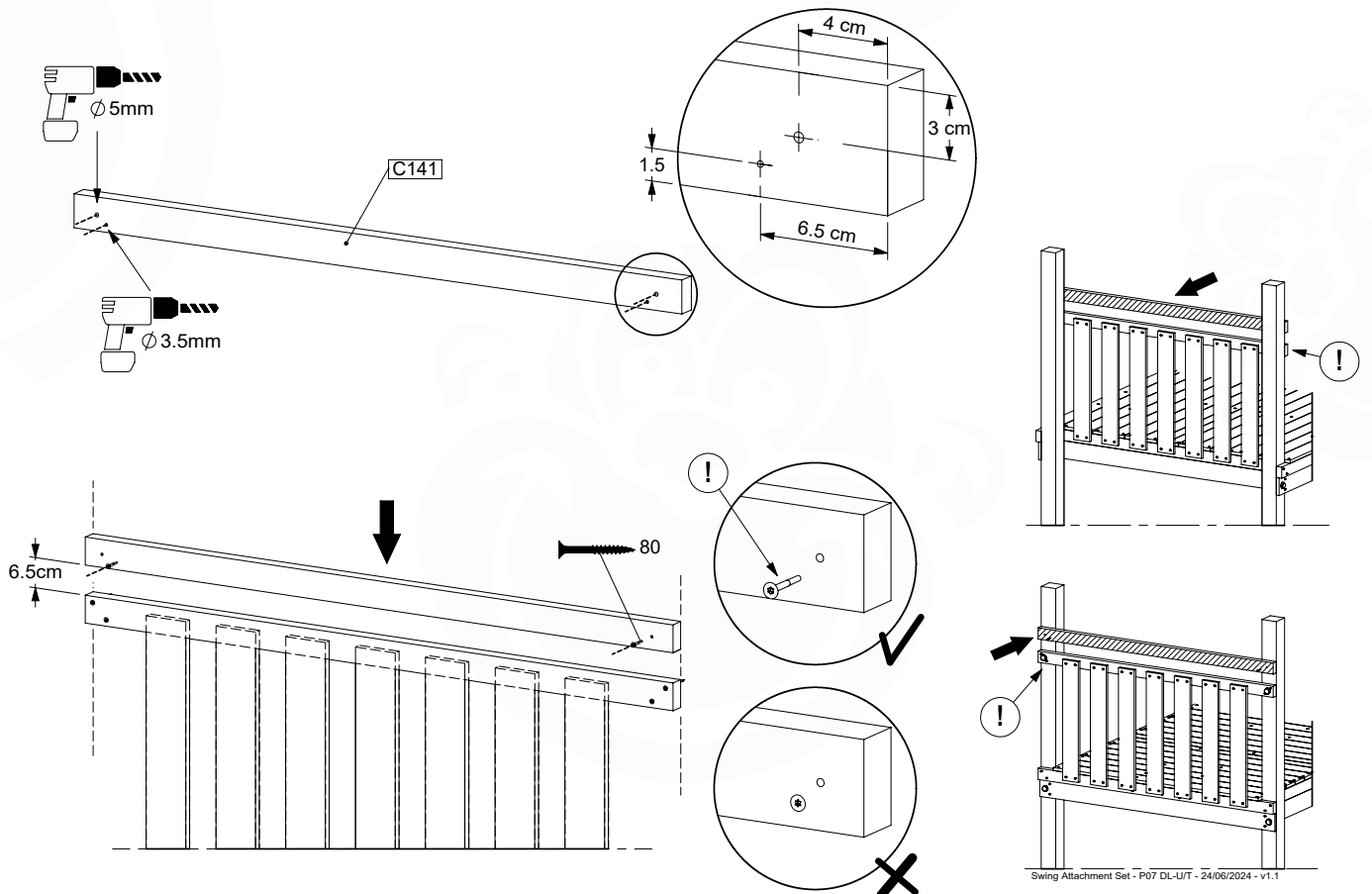
28 CL23a: Swing Attachment Set 140



Assembly Packs: 457_103 / 457_107 (Swing / Climb Kit)

	PartNo	PartName	QTY.
Hardware	002_223	Gap Point Screw T25 - 5x80	2
Timber	C141	Beam 1410 mm	1

Swing Attachment Set - P04 DL-U/T - 24/06/2024 - v1.1

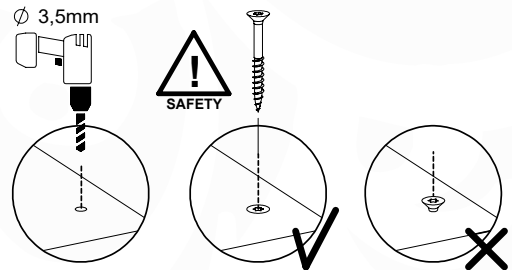
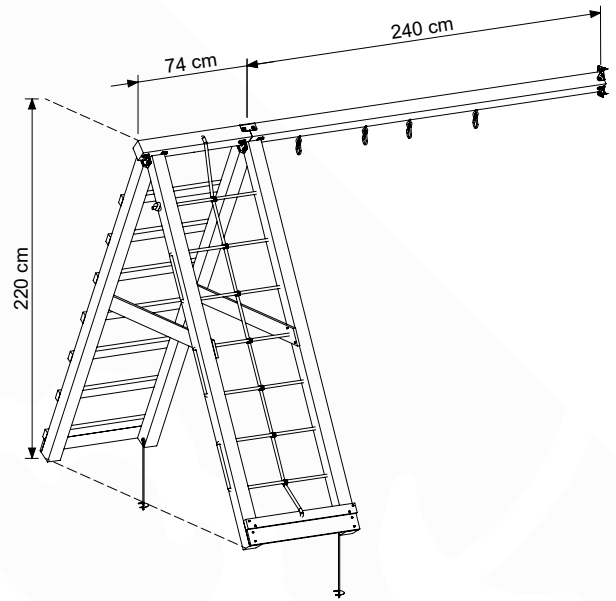


Swing Attachment Set - P07 DL-U/T - 24/06/2024 - v1.1

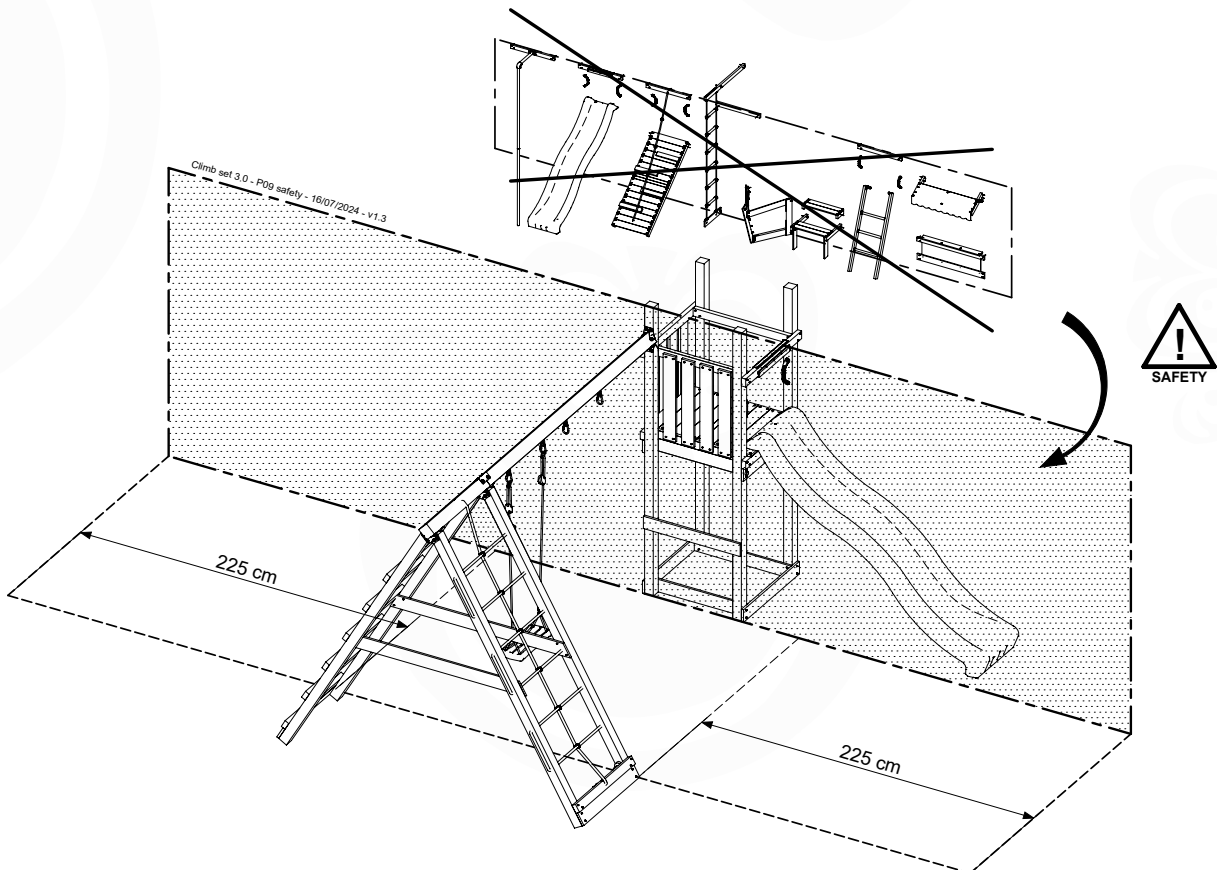
29 CL23a: 2- Climb Module 220 Extra - 3.0

Assembly Kit: 457_107

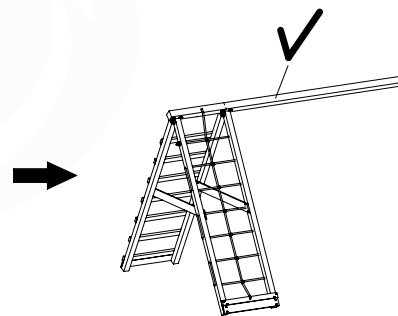
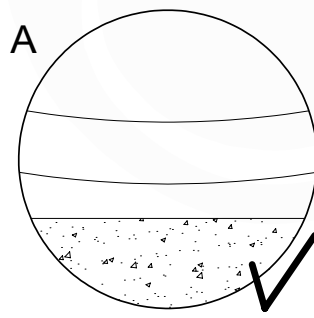
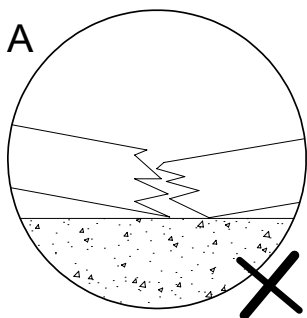
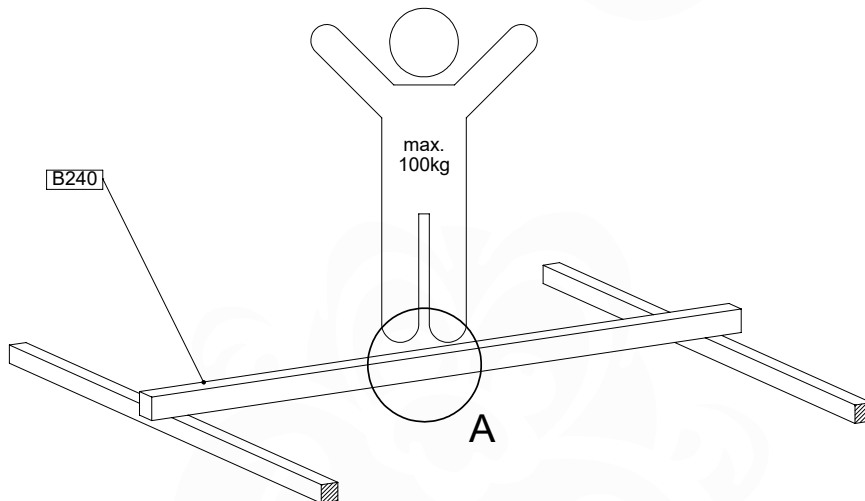
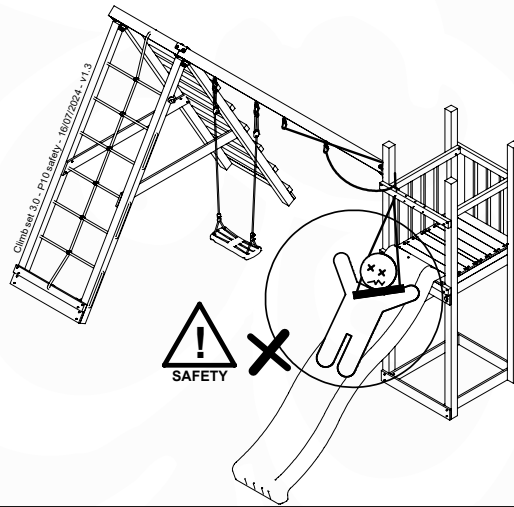
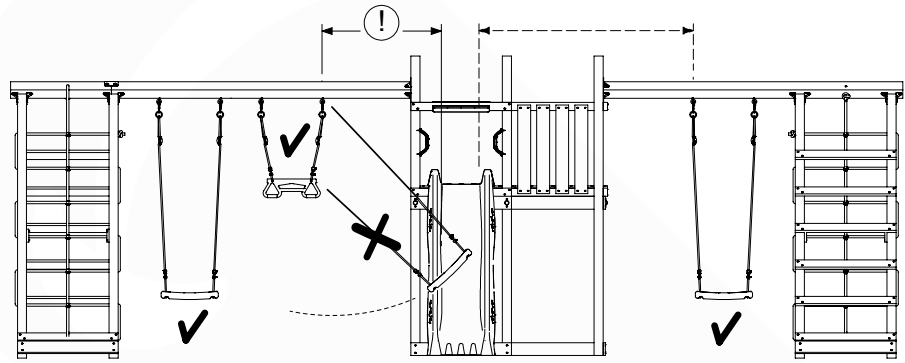
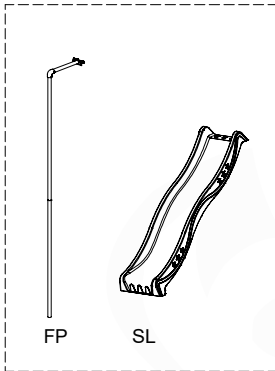
	PartNo	PartName	QTY.
Hardware + Parts	001_404	Stealth Screw 8x30	4
	001_406	Stealth Screw 8x45	34
	001_417	Stealth Screw 8x80	2
	002_220	Gap Point Screw T25 - 5x45	36
	002_223	Gap Point Screw T25 - 5x80	35
	002_301	Dry Wall Screw PH2 3.9 x 40 mm	7
	023_042	Nylon washer 9x19x1.5	36
	005_096	A-Frame V-Connector	4
	005_097	Swing V-Connector	2
	005_099	Climber Top Connector	1
	007_001	Ground-anchor	2
	020_317	Rope Polyester 16mm Green 3.4m	1
	020_318	Rope Polyester 16mm Green 8.1m	1
	022_455	Rope Cross Connector Egg	7
101_003	Swing hook with Carabiner	4	
Timber	B74	Post ca.90x90 L740	1
	B240	Post ca.90x90 L2400	5
	C74	Beam 740 mm	8
	D74	Board 740 mm	2
	D141	Board 1410 mm	3



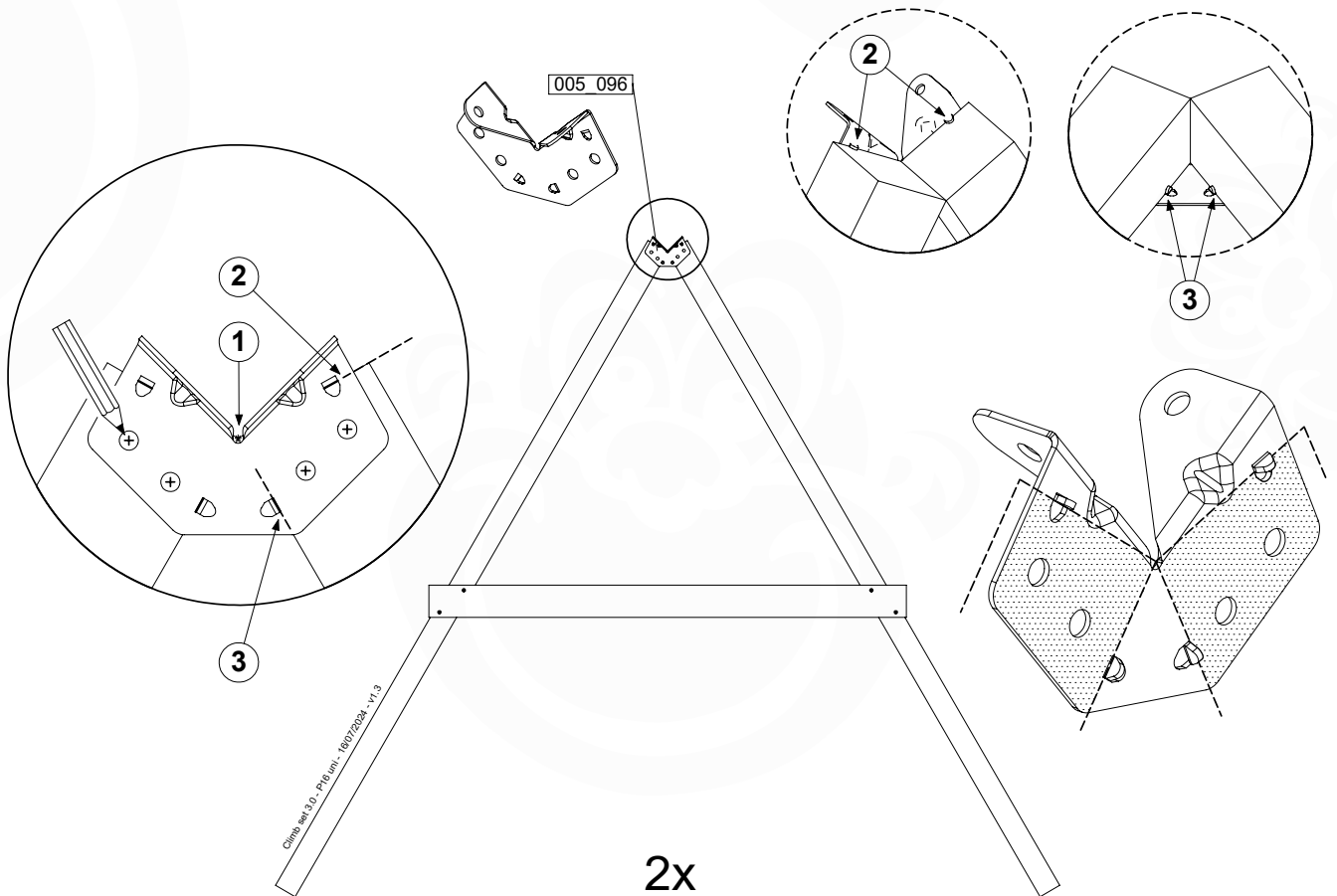
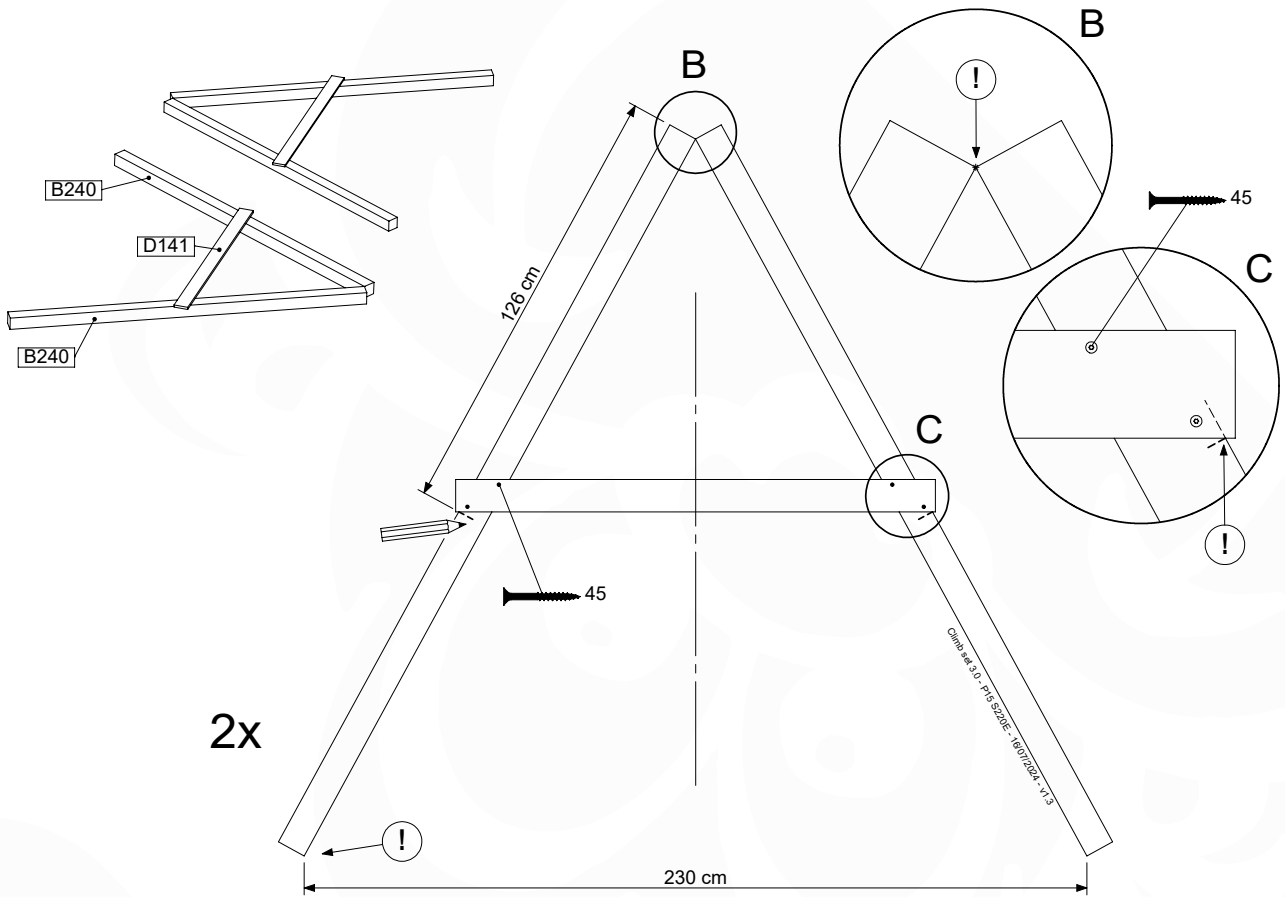
Climb set 3.0 - P08 2022E - 16/07/2024 - v1.3

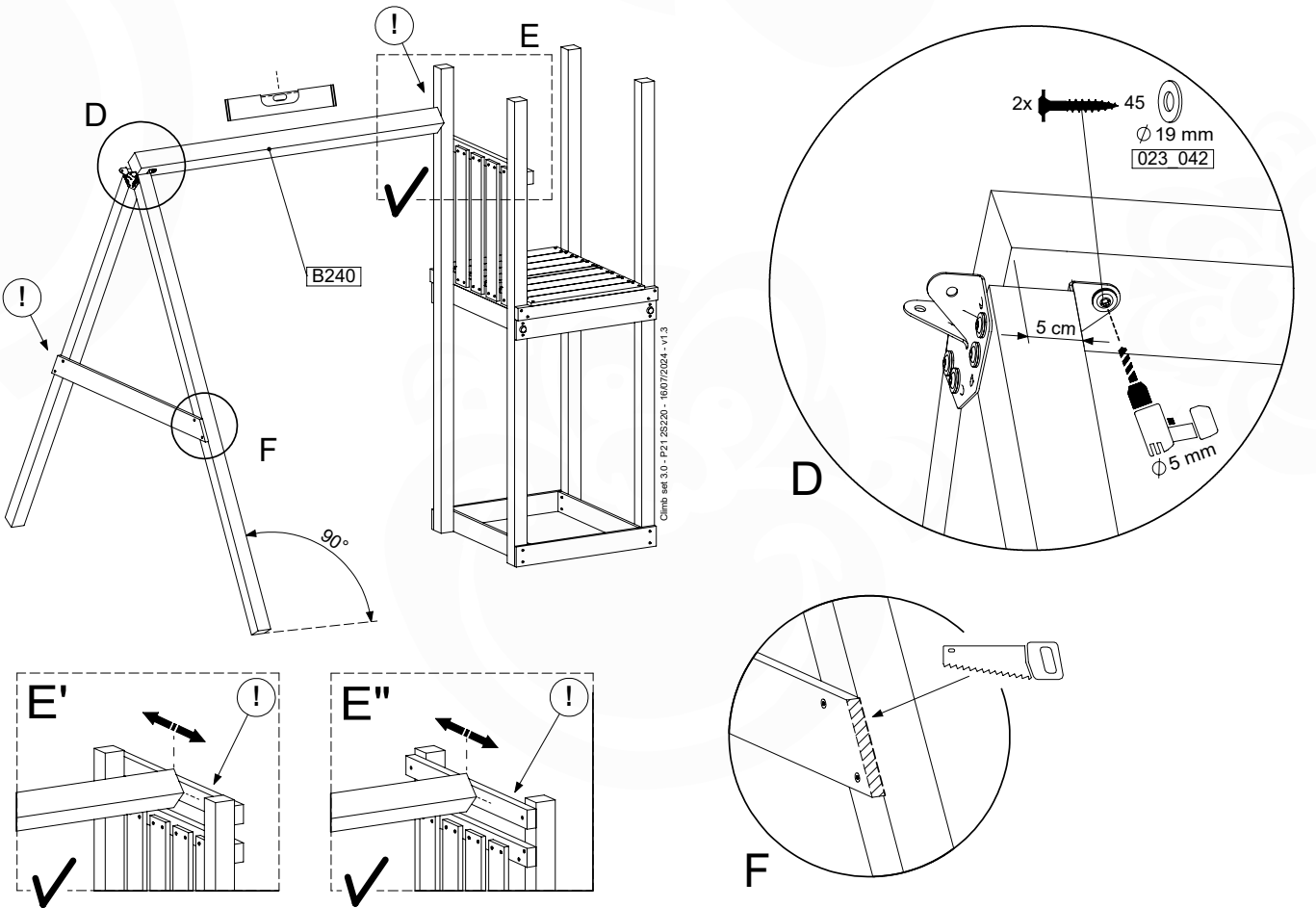
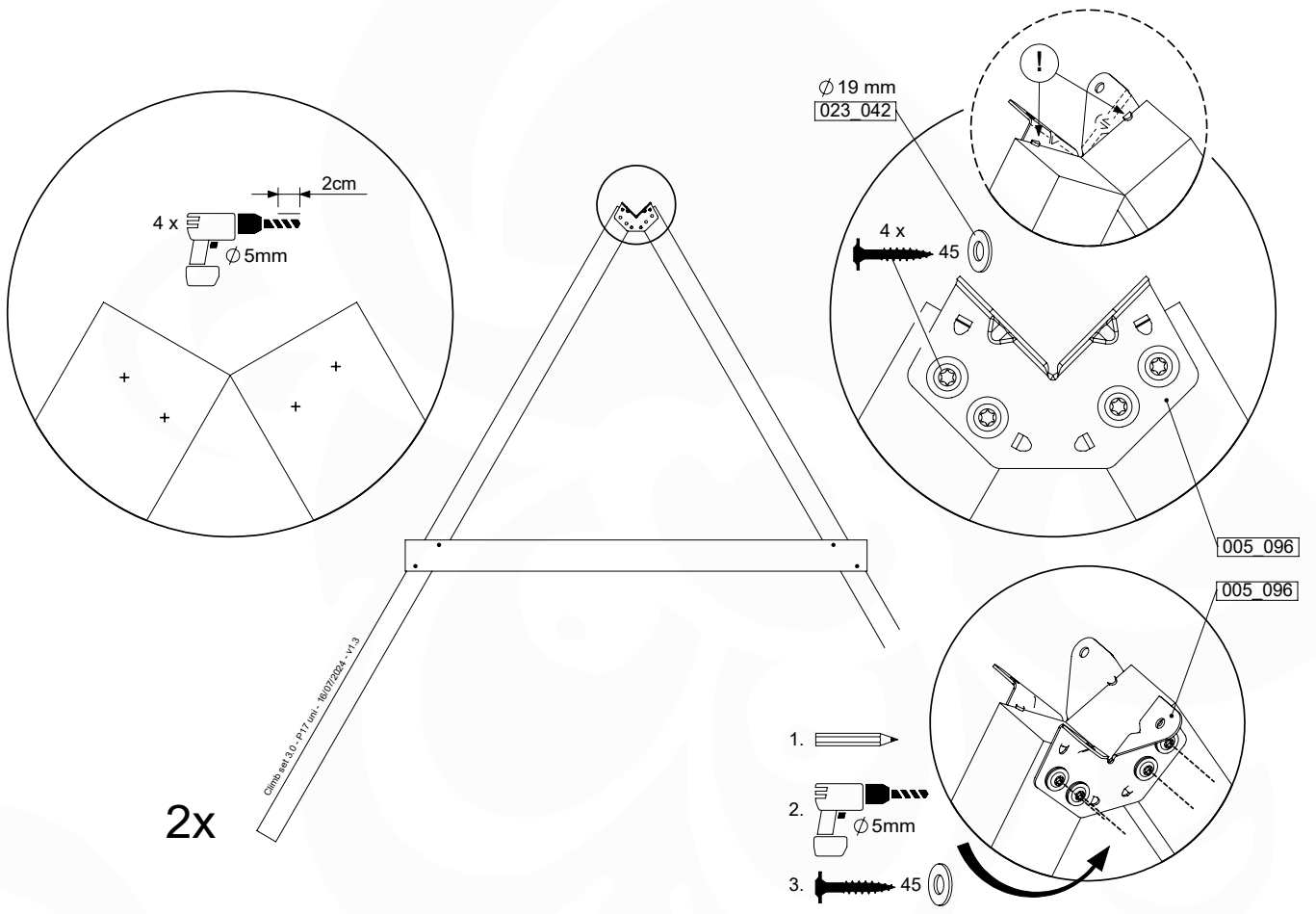


29.1

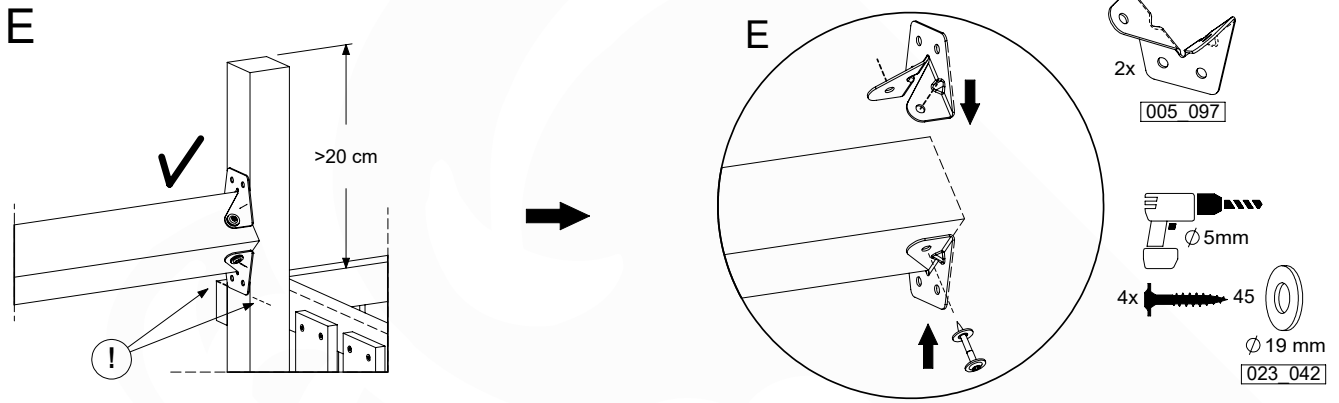


Climb set 3.0 - P12 2S220 - 16/07/2024 - v1.3

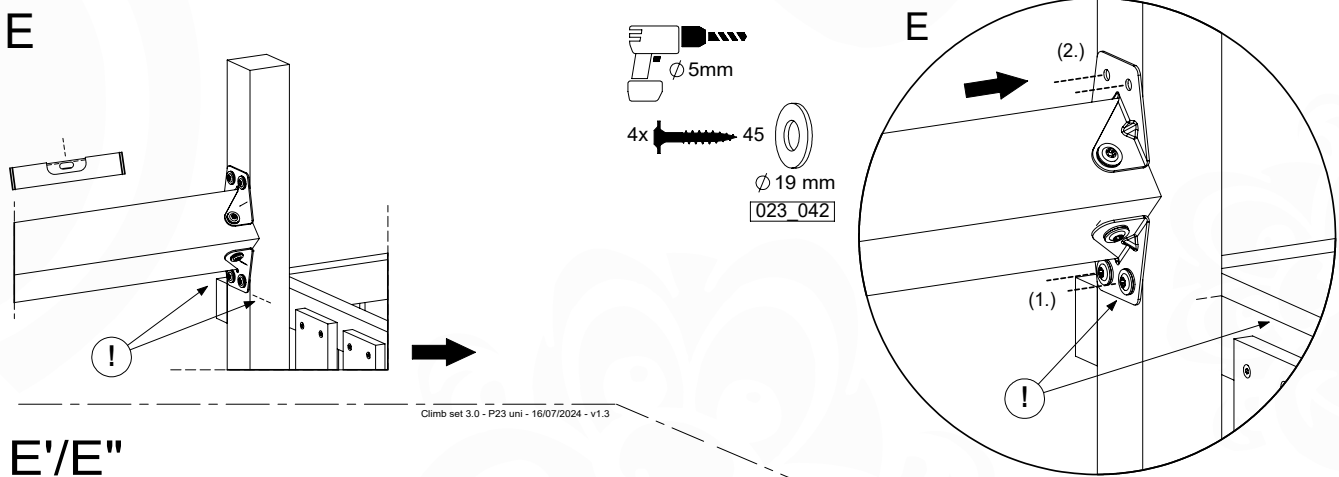
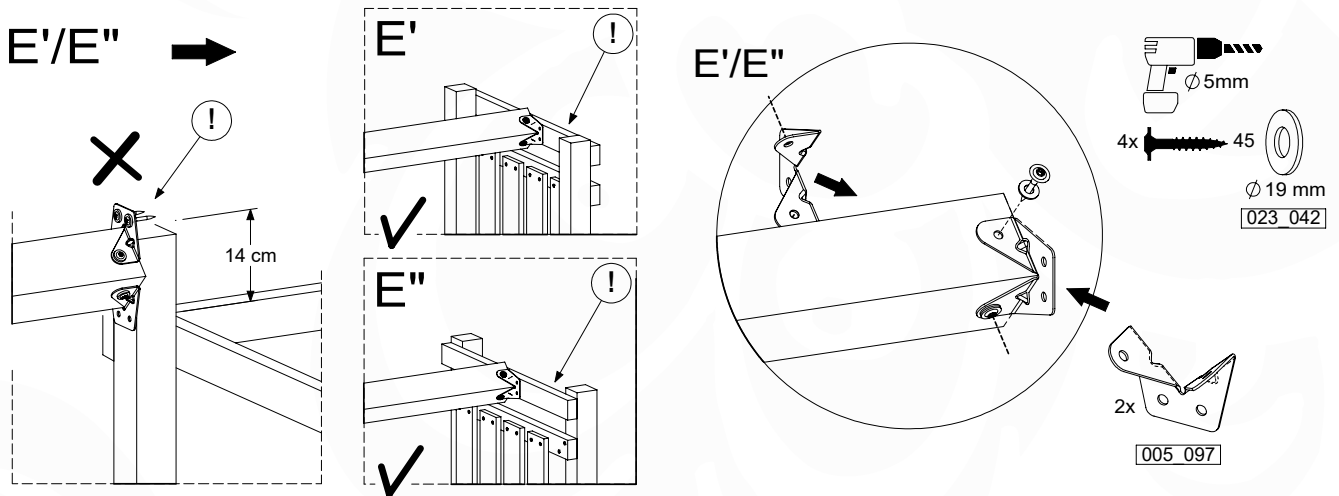




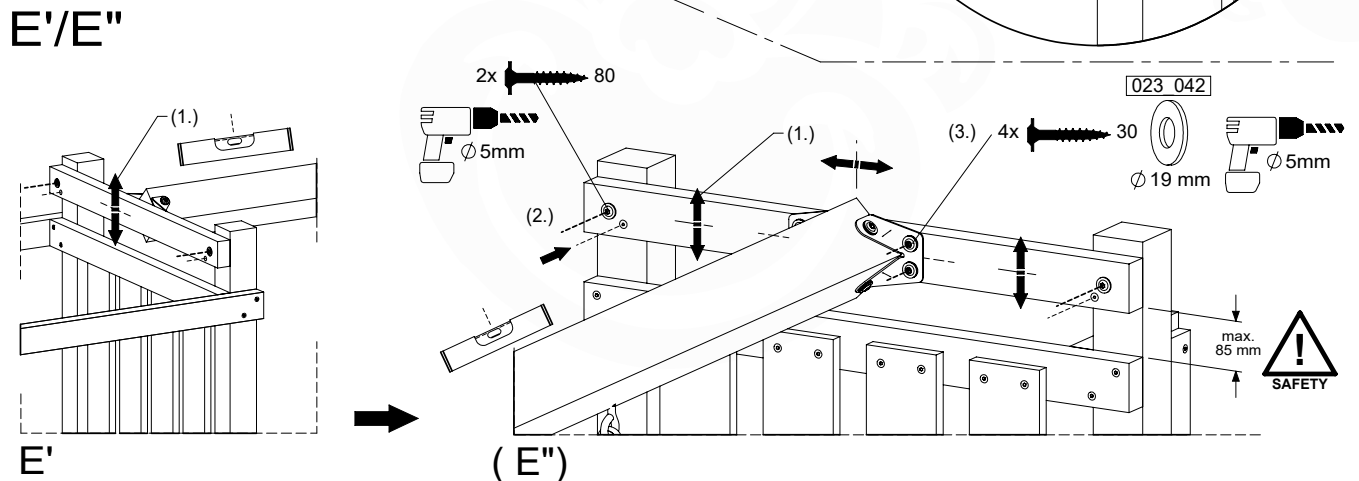
29.4

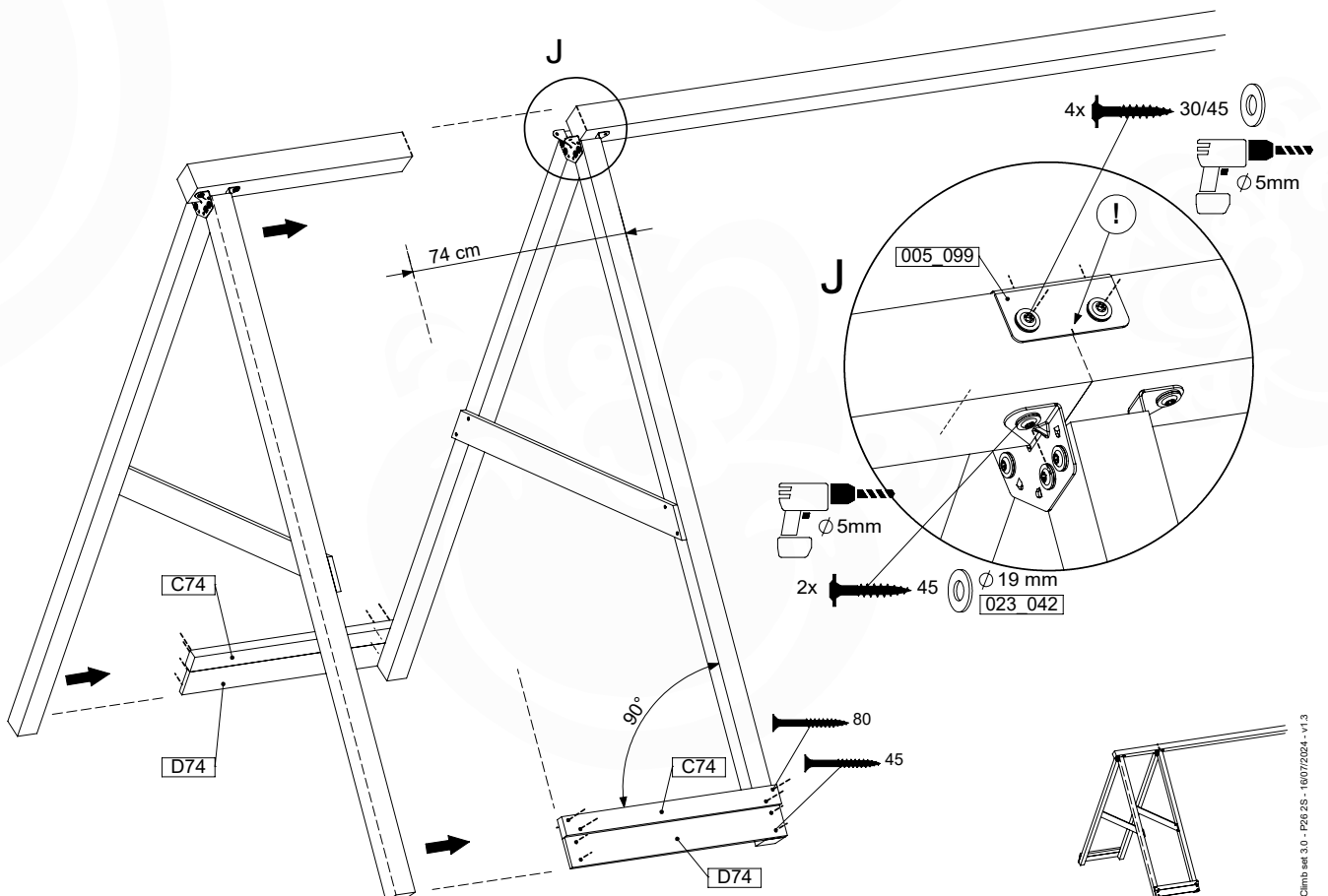
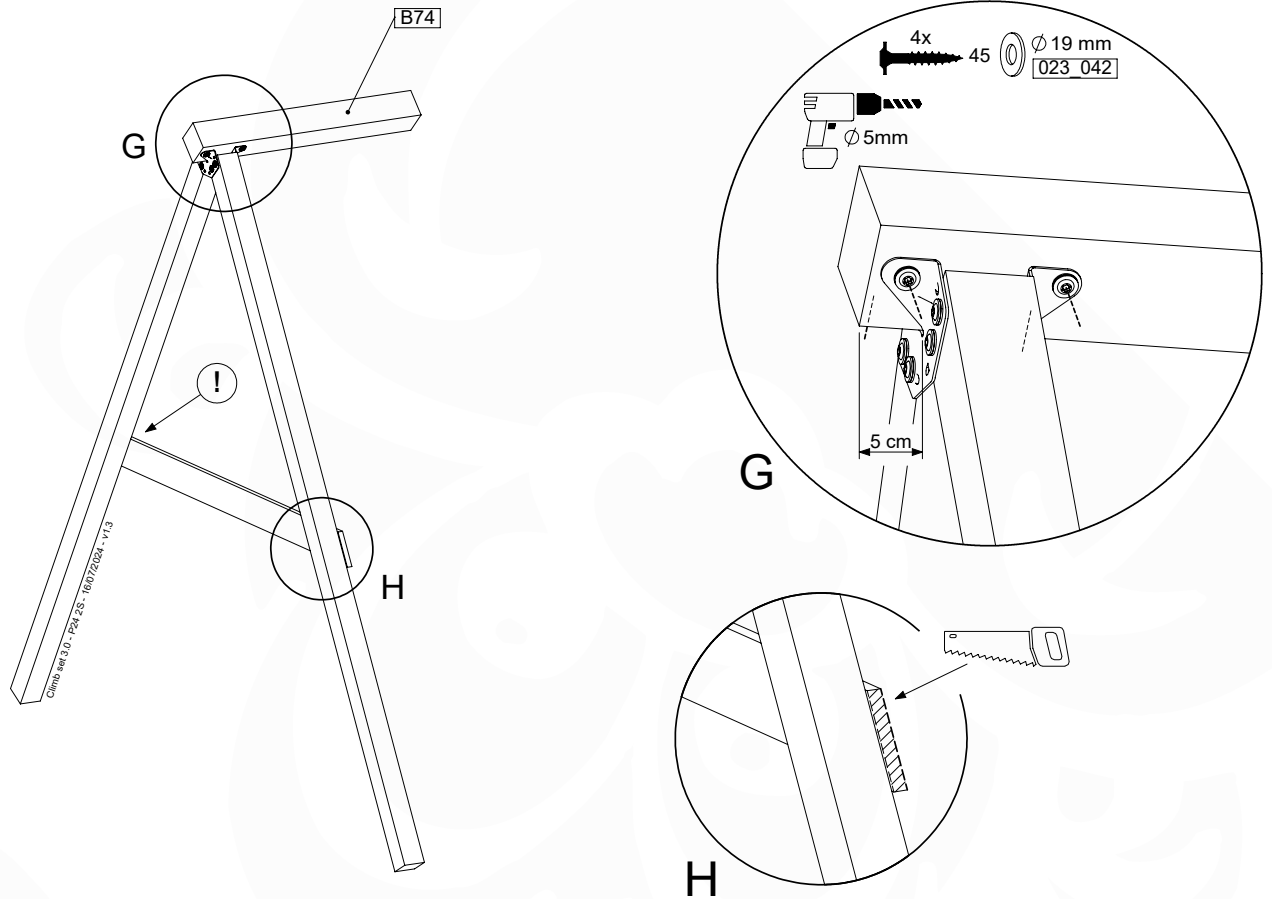


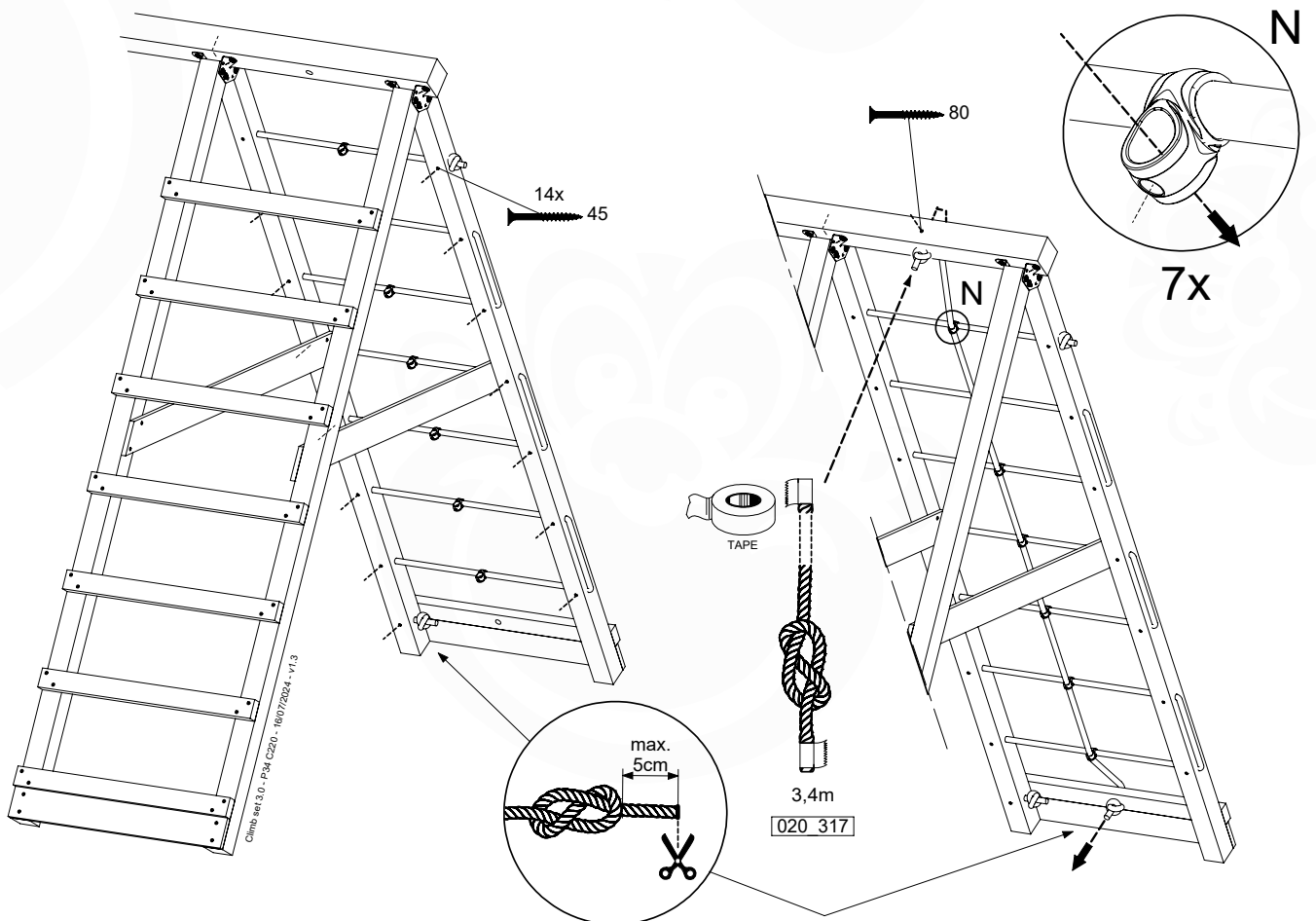
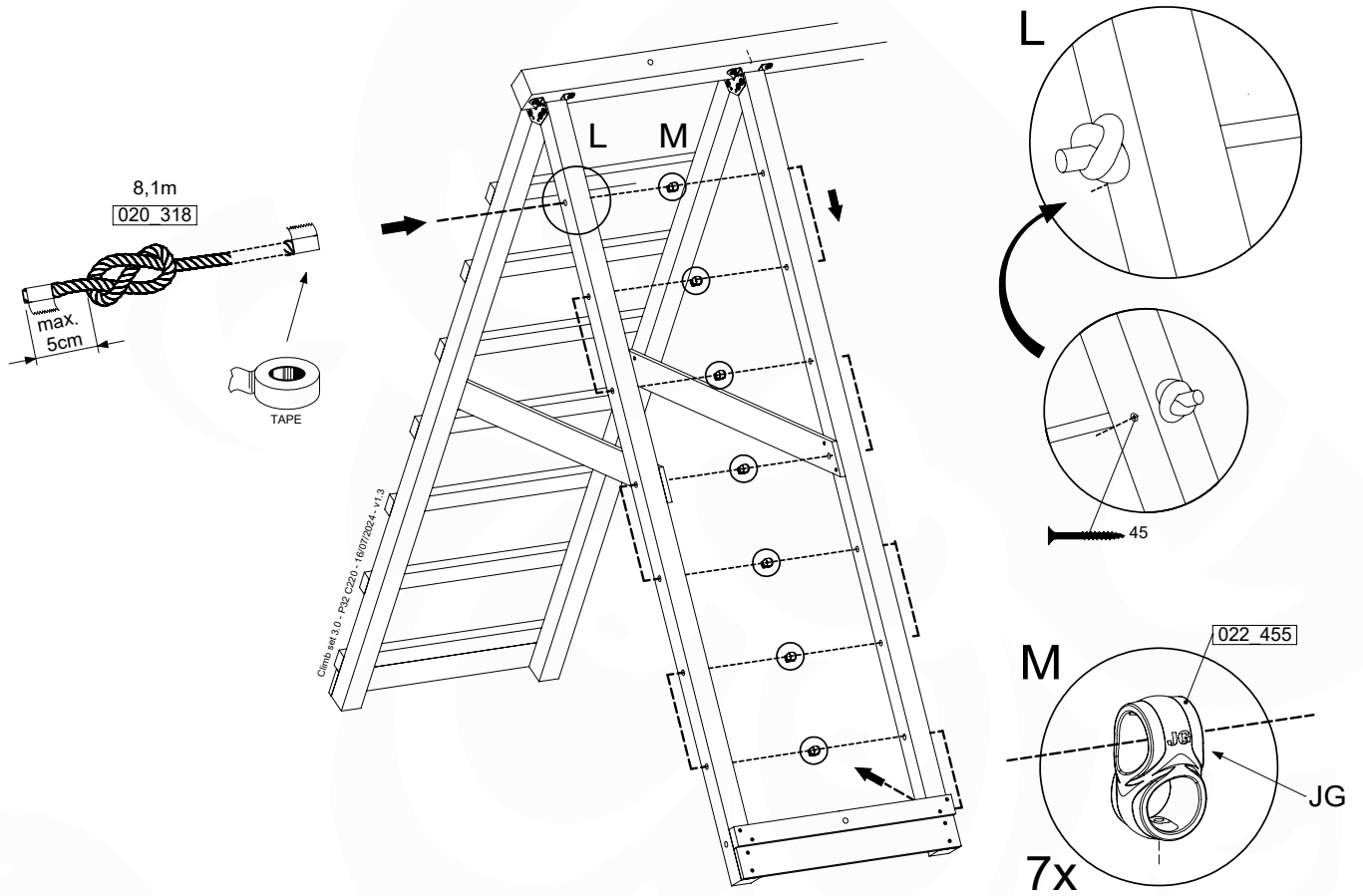
Climb set 3.0 - P22 uni - 16/07/2024 - v1.3

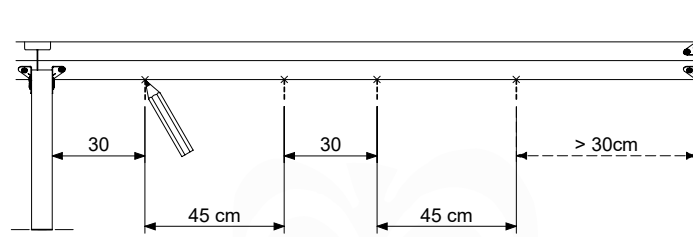
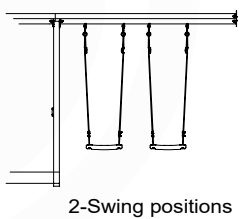
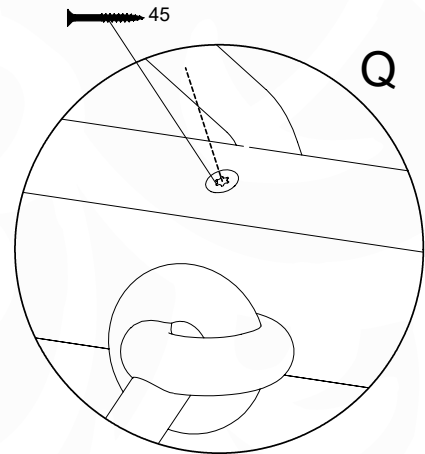
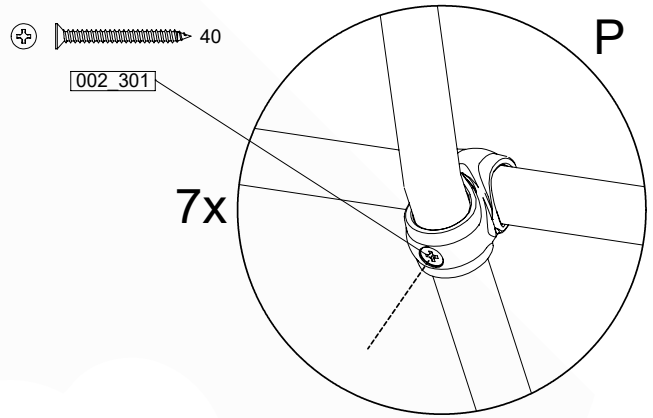
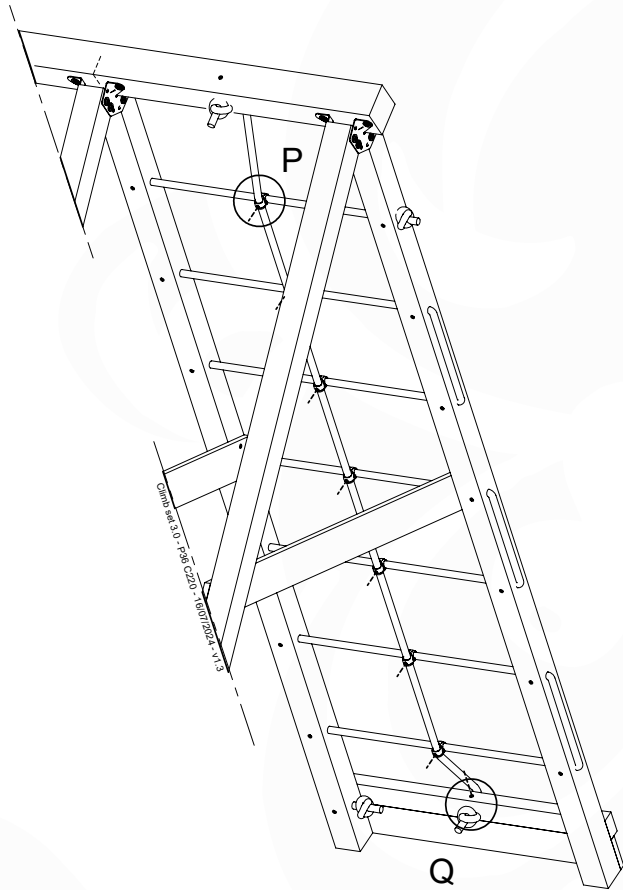


Climb set 3.0 - P23 uni - 16/07/2024 - v1.3

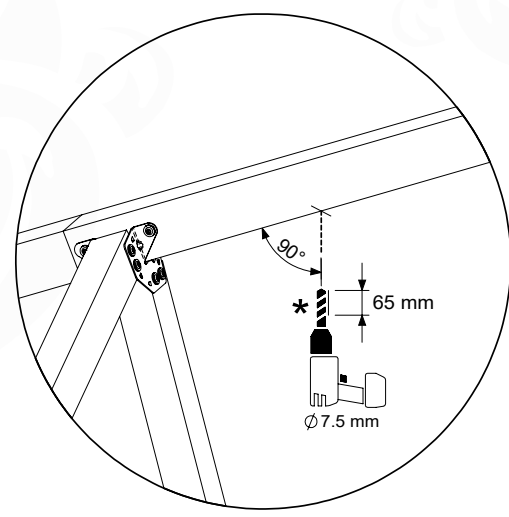
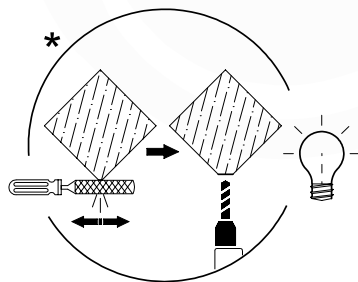
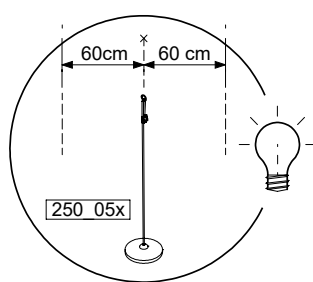


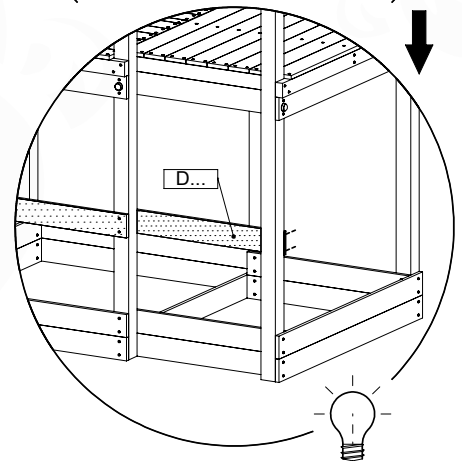
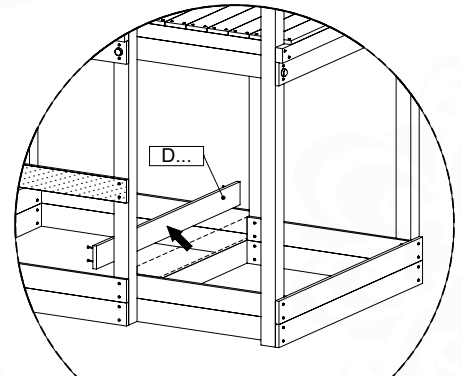
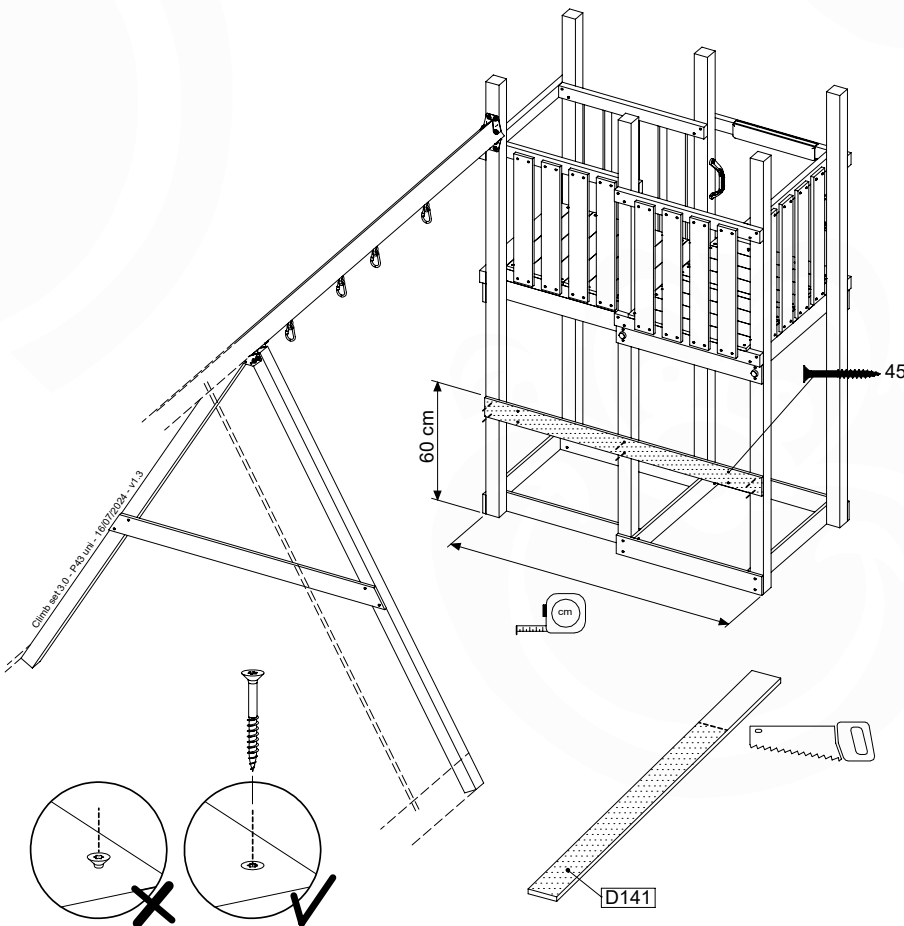
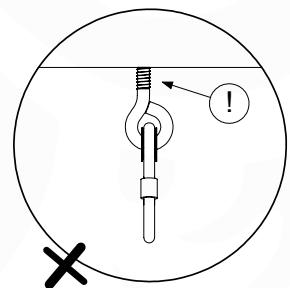
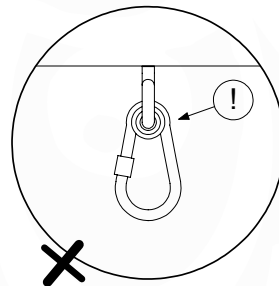
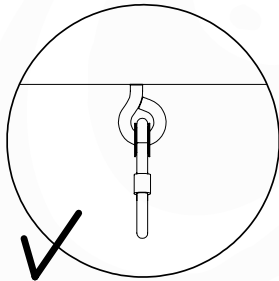
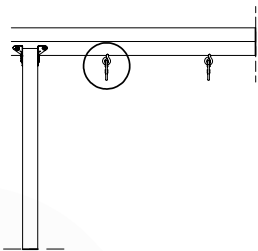
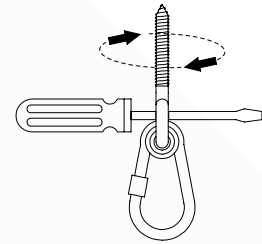
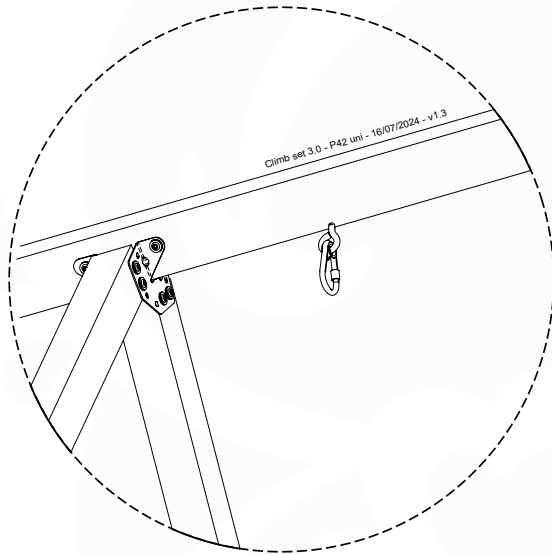
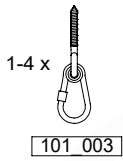




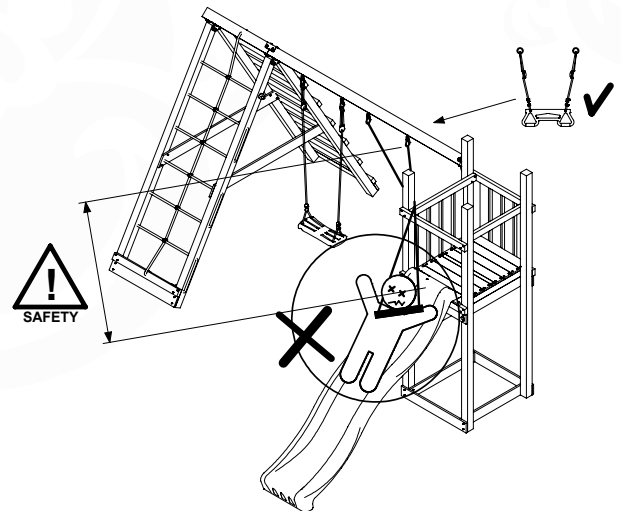
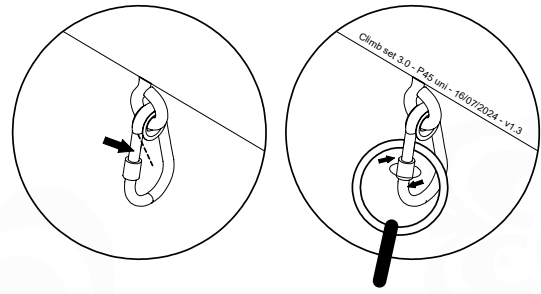
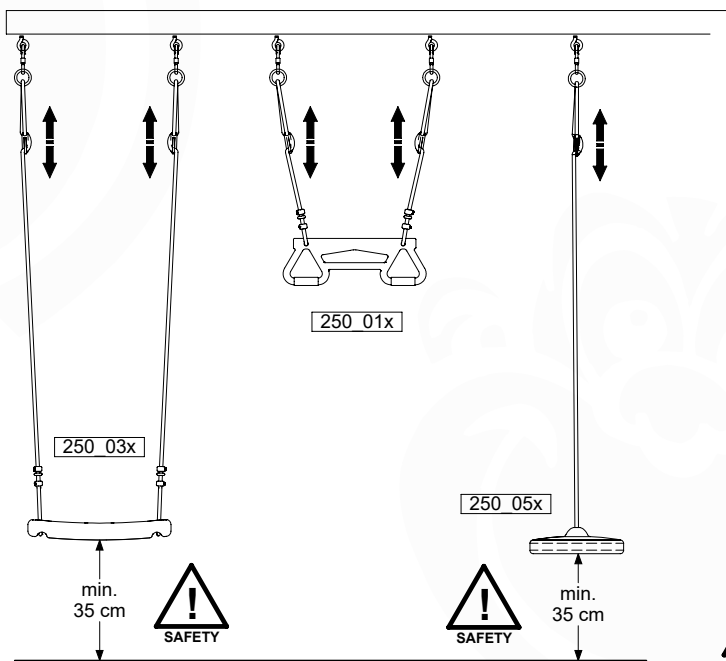
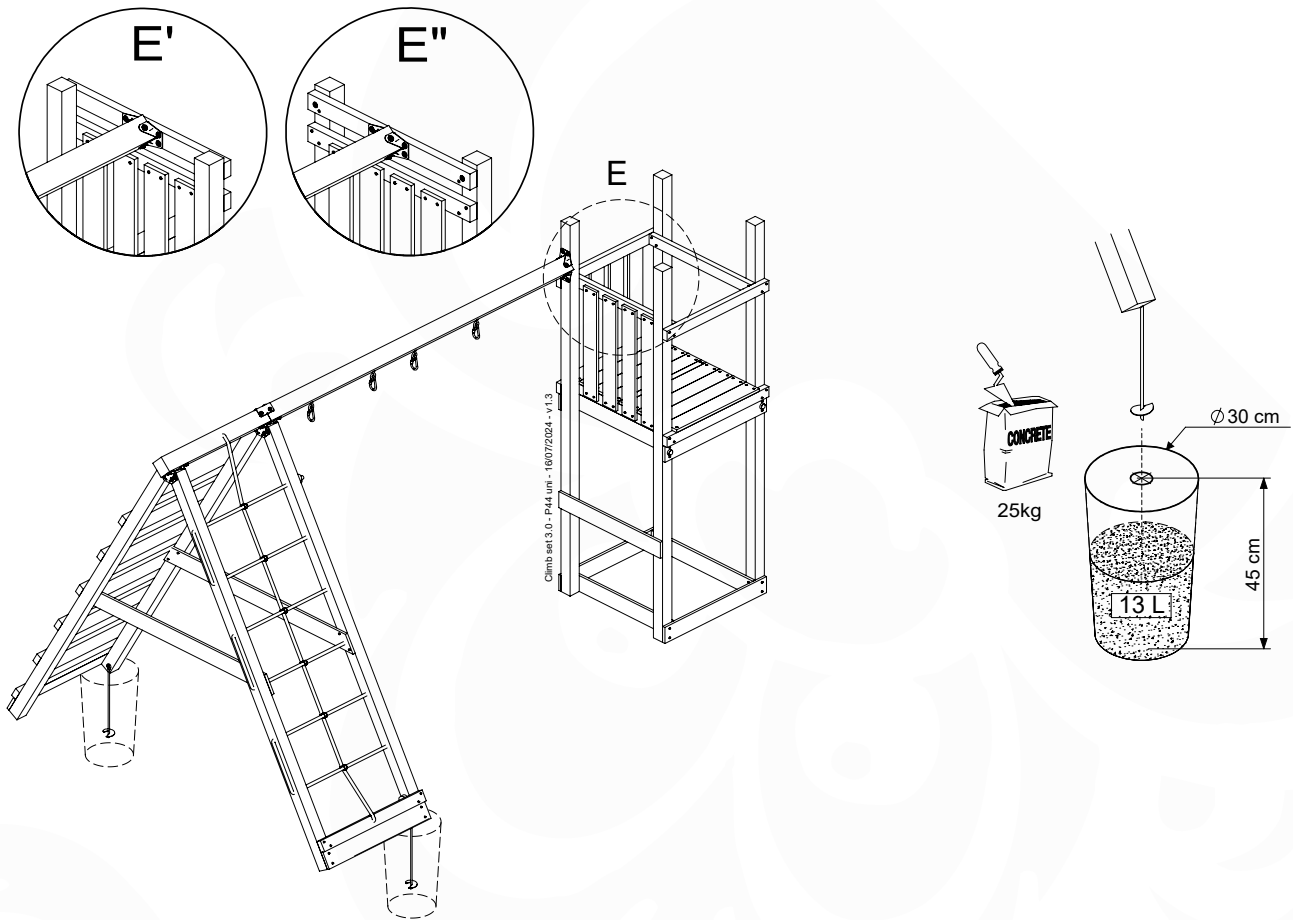


Climb set 3.0 - P41 2S220 - 16/07/2024 - v1.3





29.10

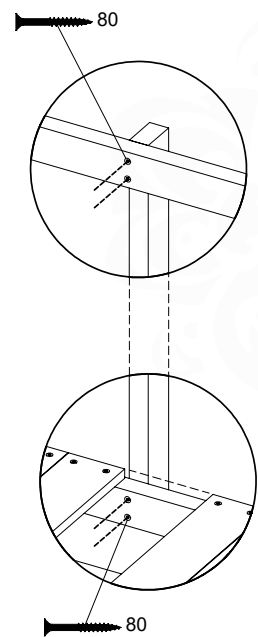
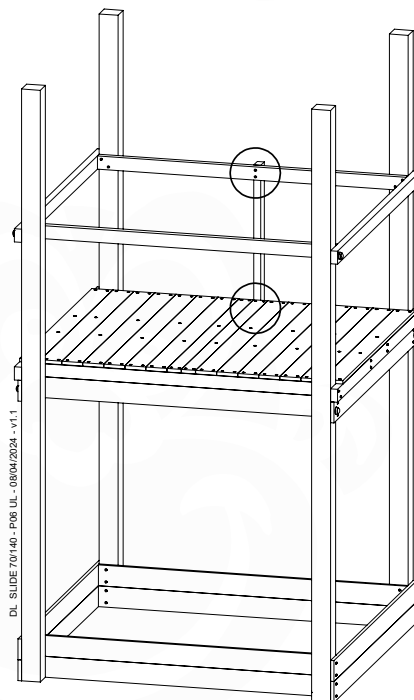
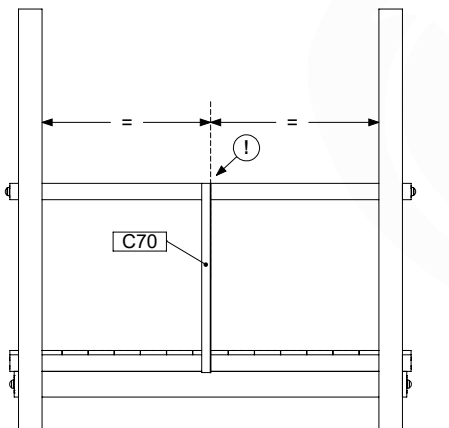
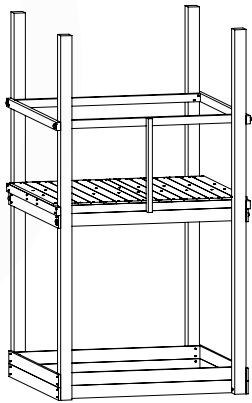
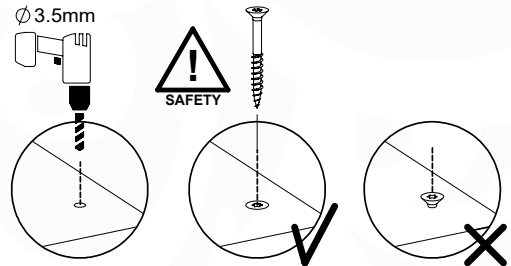
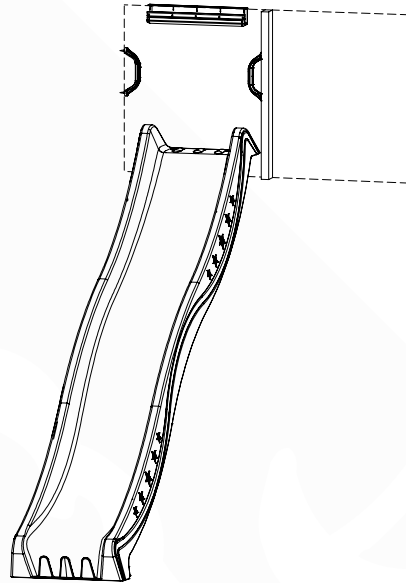


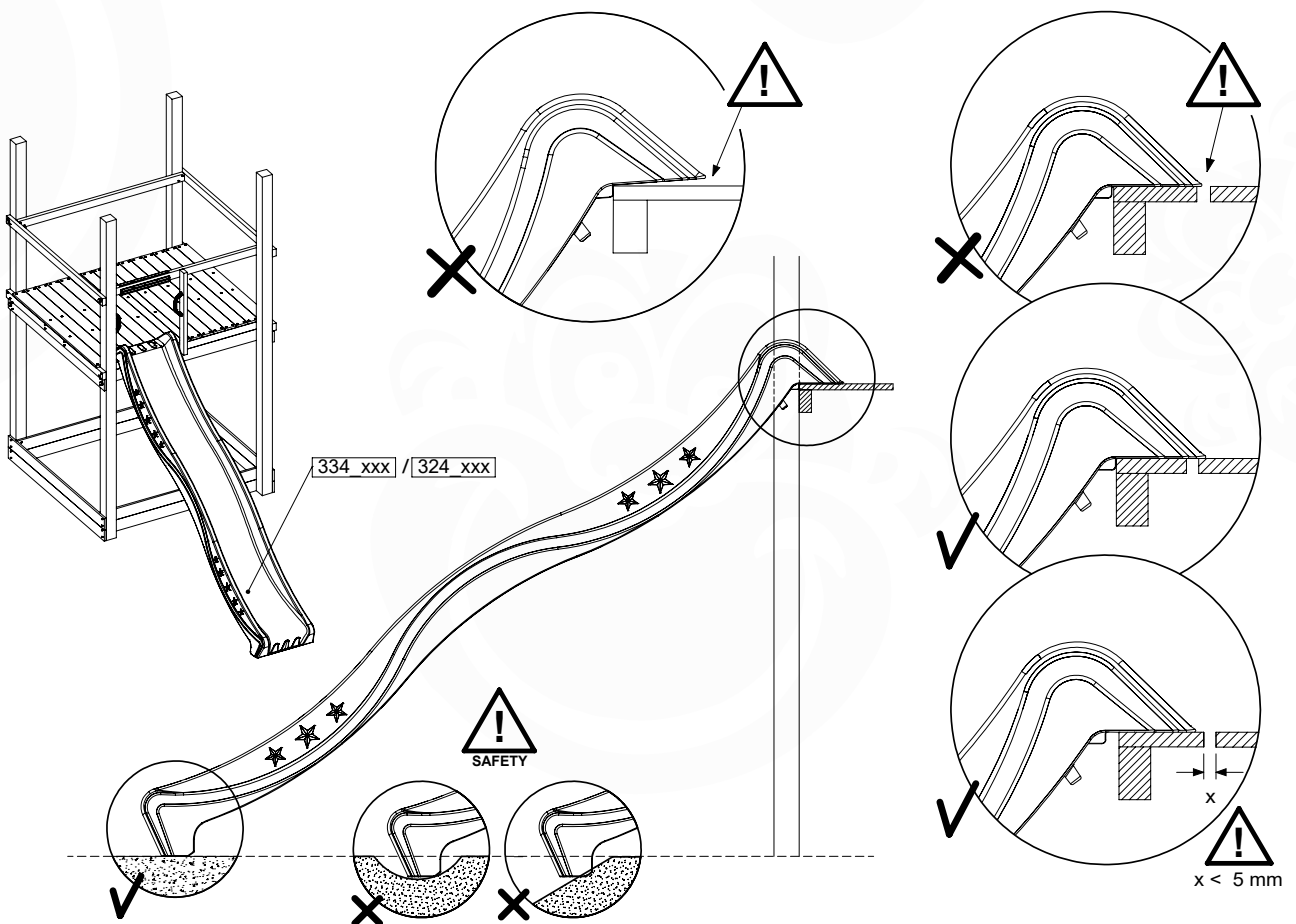
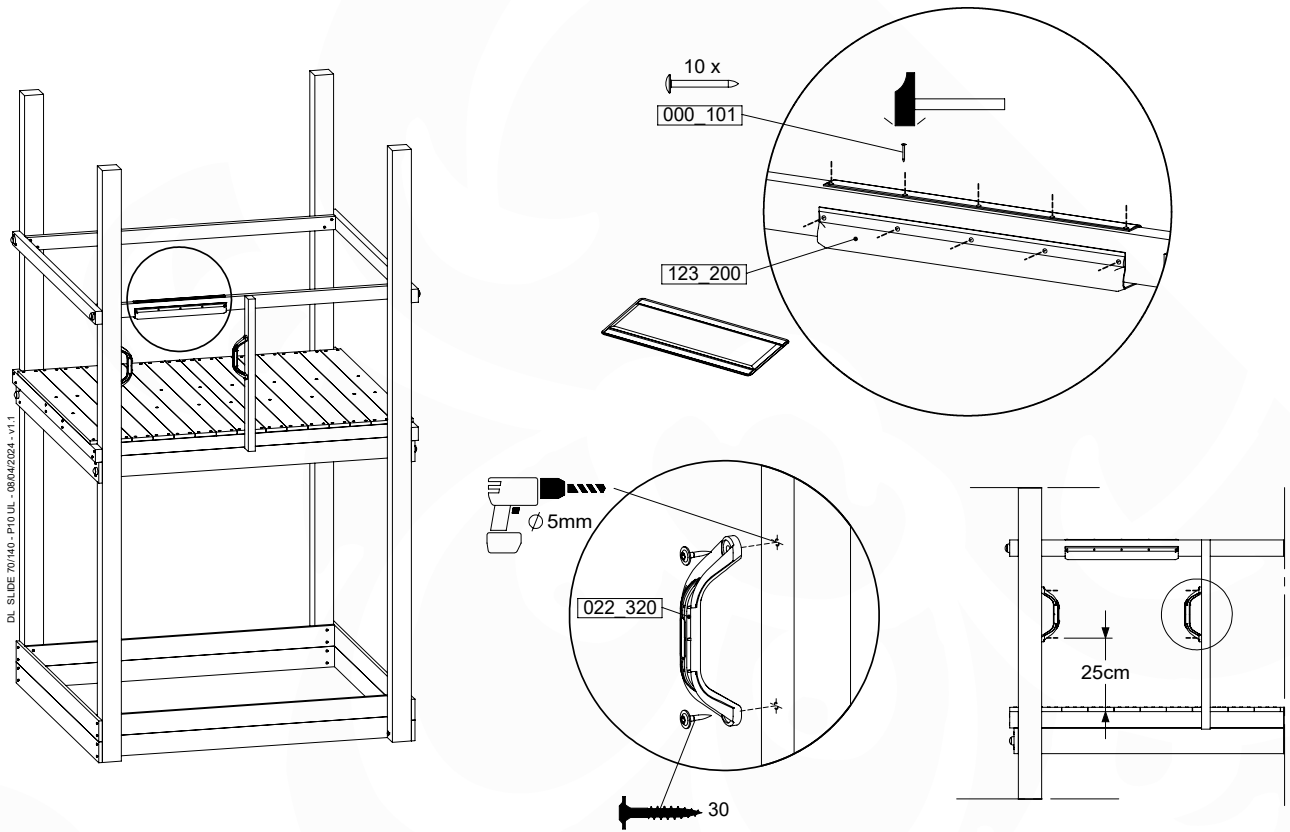
30 SL26a: Slide 140 145 U Left

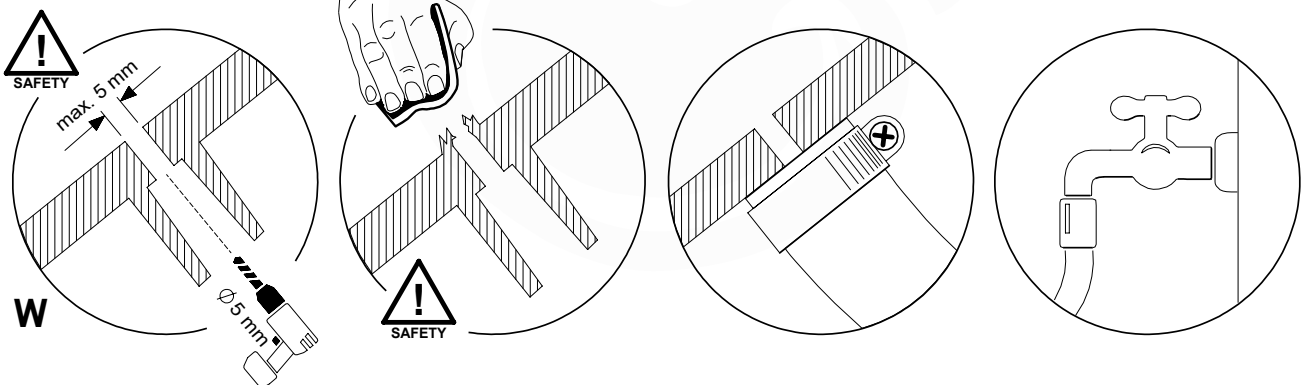
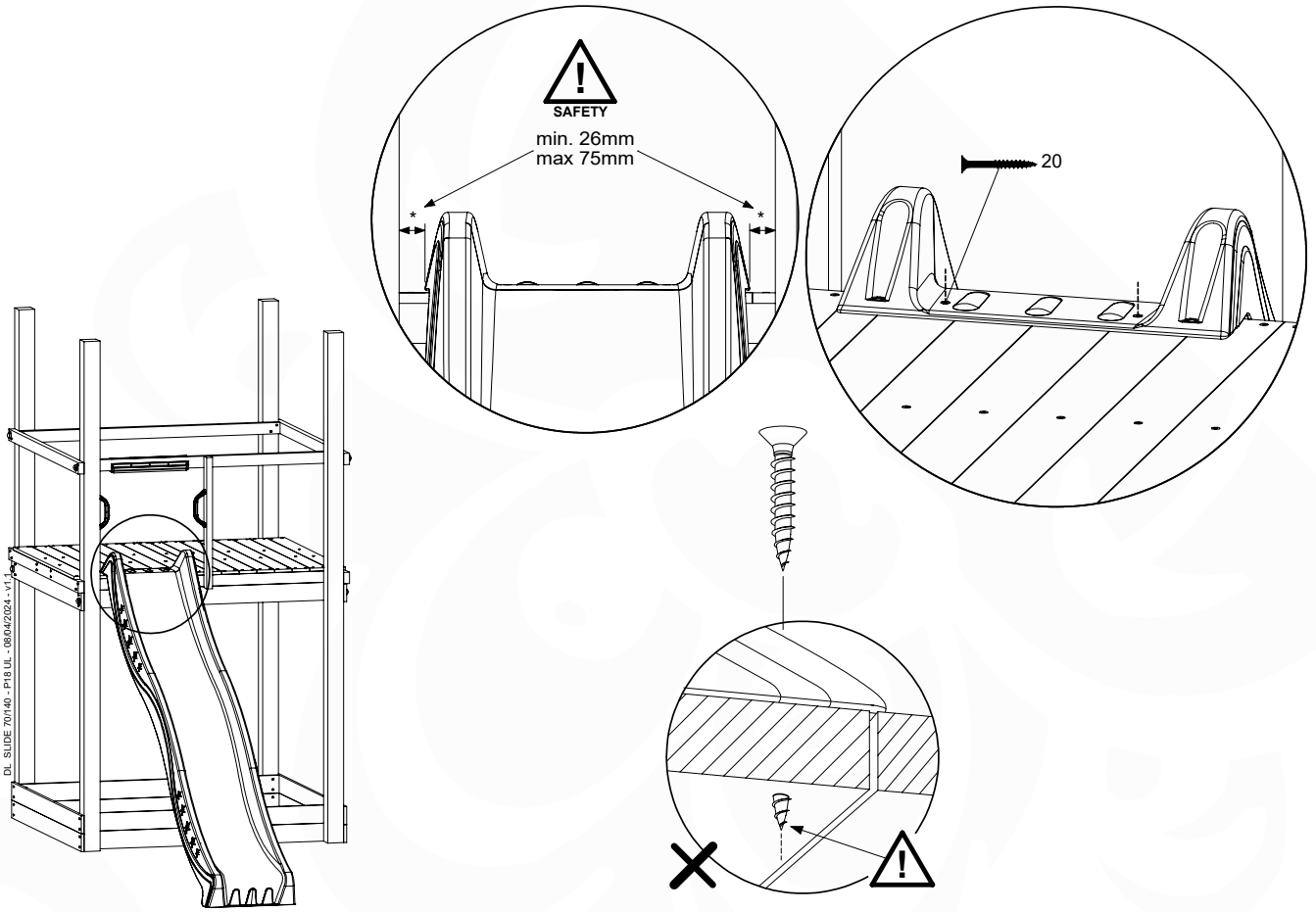
Assembly Pack: 194_107

	PartNo	PartName	QTY.
Hardware pack	000_101	Nail Pan Head	10
	002_223	Gap Point Screw T25 - 5x80	4
	002_308	Gap Point Screw T25 - 5x20	2
Other	120_102	Handgrip set (complete 2x)	1
	123_200	Bumperpad	1
	334_xxx / 324_xxx	Wavy Star Slide XXL 2650 mm / Wavy Star Slide XL 2200 mm	1
Timber	C70	Beam 700 mm	1

DL SLIDE 70/140 - P02 UL - 08/04/2024 - v1.1





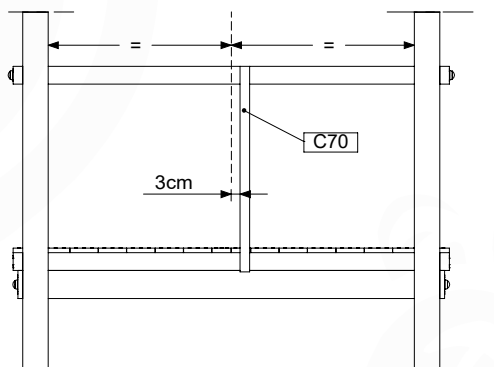
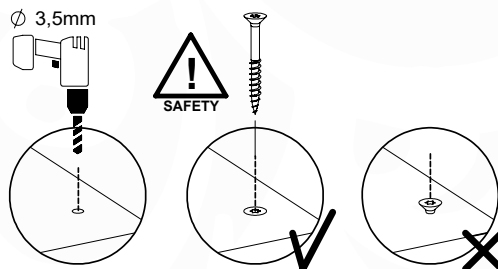
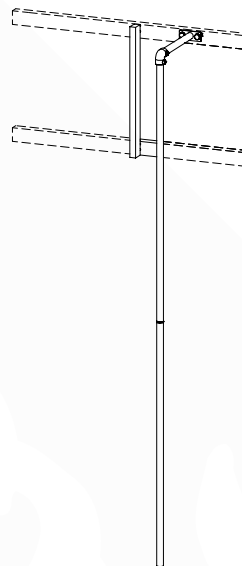


31 FP26a: Fireman's pole 140 Right U

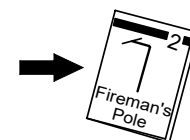
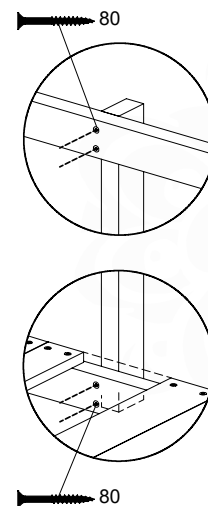
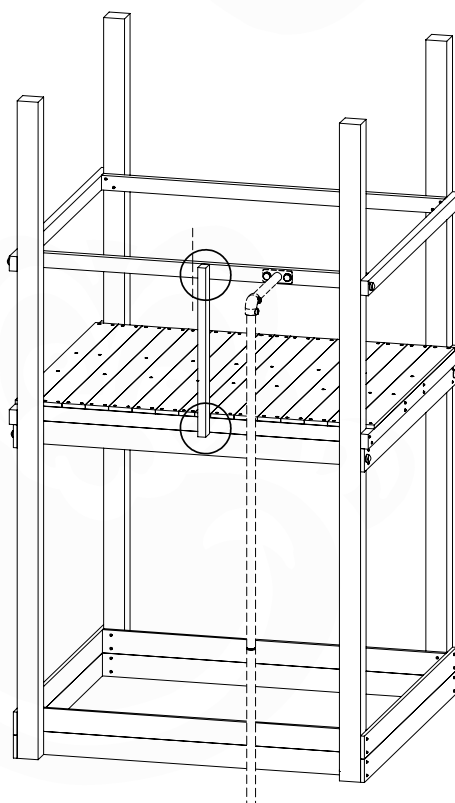
(201_275)

	PartNo	PartName	QTY.
Other	201_275	Fireman's Pole kit (incl. 4x Screw T25 5x80)	1
Timber	C70	Beam 700 mm	1

DL_Fireman's Pole 70 - P03 UR - 20/04/2023 - v1

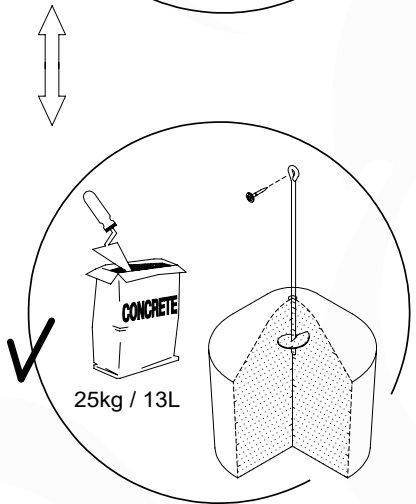
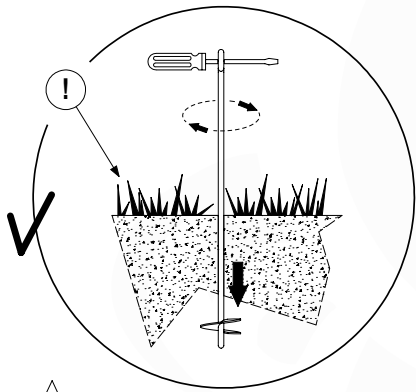


DL_Fireman's Pole 70 - P07 UR - 20/04/2023 - v1

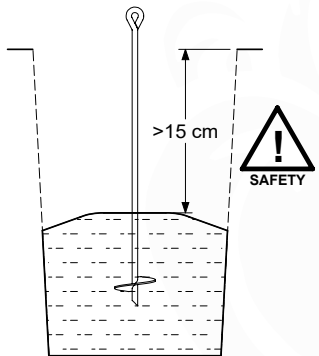
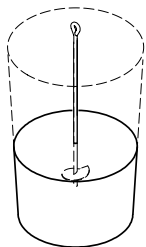
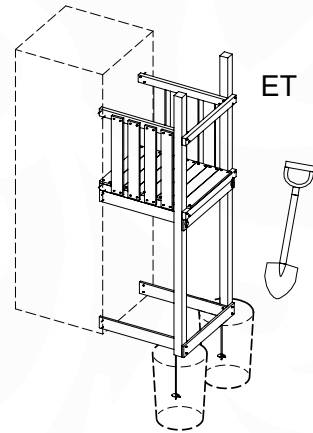
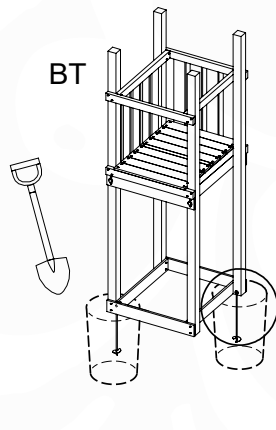
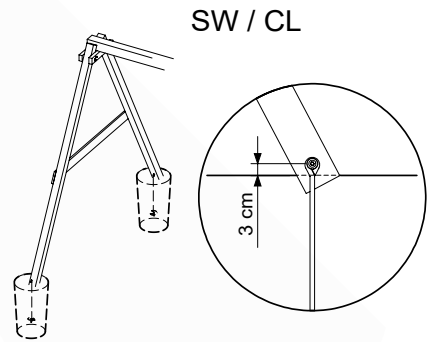
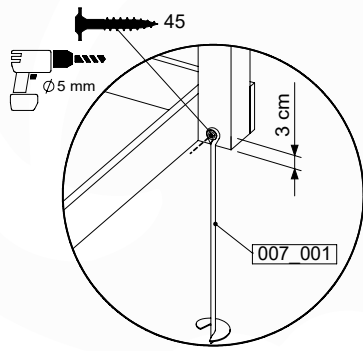


Fireman's Pole (201_275)
040_335 Part 2

32 GA: Ground Anchors



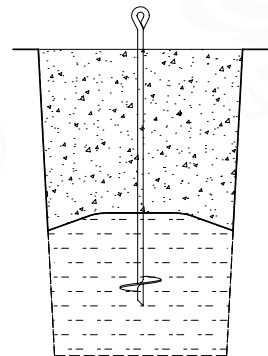
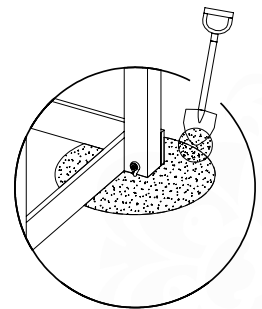
Ground Anchors Uhl. - PD3 - 14/06/2024 - v1.5



1.



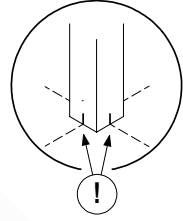
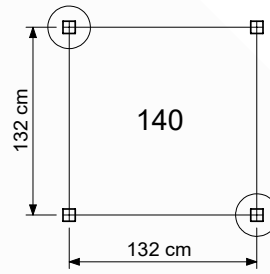
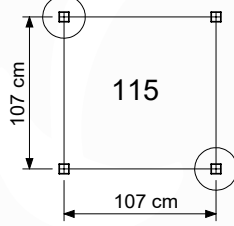
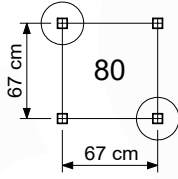
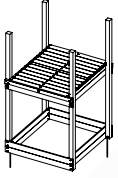
2.



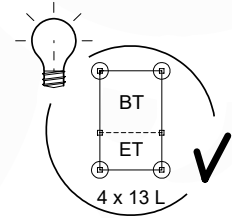
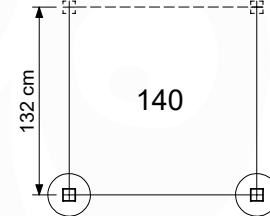
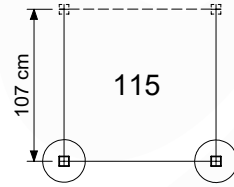
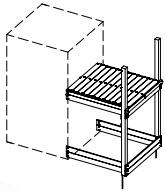
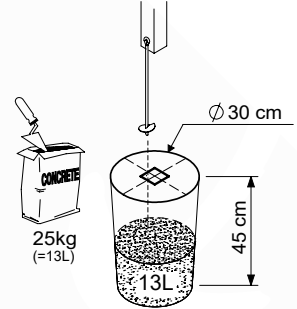
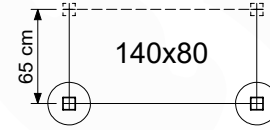
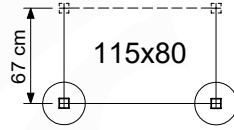
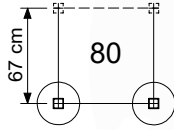
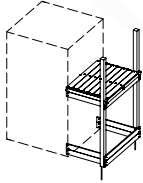
3.

Ground Anchors Uhl. - PD4 - 14/06/2024 - v1.5

BASE TOWERS

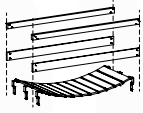


EXTENSION TOWERS

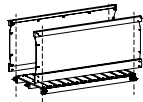


Ground Anchors Uni. - P01 - 14/06/2024 - v1.5

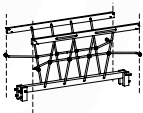
BRIDGES



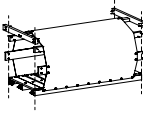
CLATTER



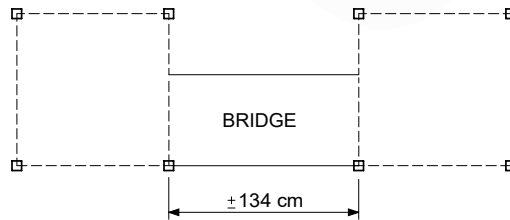
BOARDWALK



NET



TUNNEL

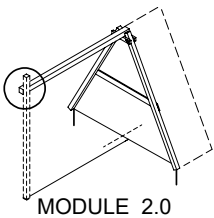


BRIDGE

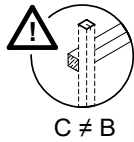
± 134 cm

Ground Anchors Uni. - P02 - 14/06/2024 - v1.5

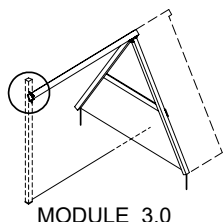
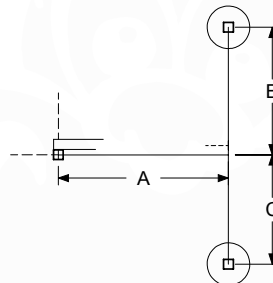
SWING / CLIMB



MODULE 2.0



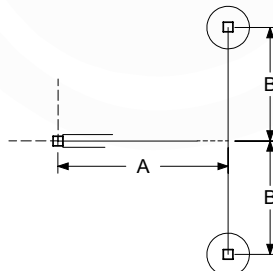
C ≠ B



MODULE 3.0



(C = B)



MODULE 2.0	Module type	A	B	C
	1-Swing 200	150	115	100
1-Swing 220 (Extra)		120	105	
1-Climb 200	142			
2-Climb 200	210	115	100	
2-Swing 200				
1-Climb 220 (Extra)	162			
2-Climb 220 (Extra)	230	120	105	
2-Swing 220 (Extra)				

cm

MODULE 3.0	Module type	A	B
	1-Swing 200 - 3.0	155	110
1-Swing 220 (Extra) - 3.0		115	
1-Climb 200 - 3.0	148		
2-Climb 200 - 3.0	222	110	
2-Swing 200 - 3.0	215		
1-Climb 220 (Extra) - 3.0	170		
2-Climb 220 (Extra) - 3.0	242	115	
2-Swing 220 (Extra) - 3.0	235		

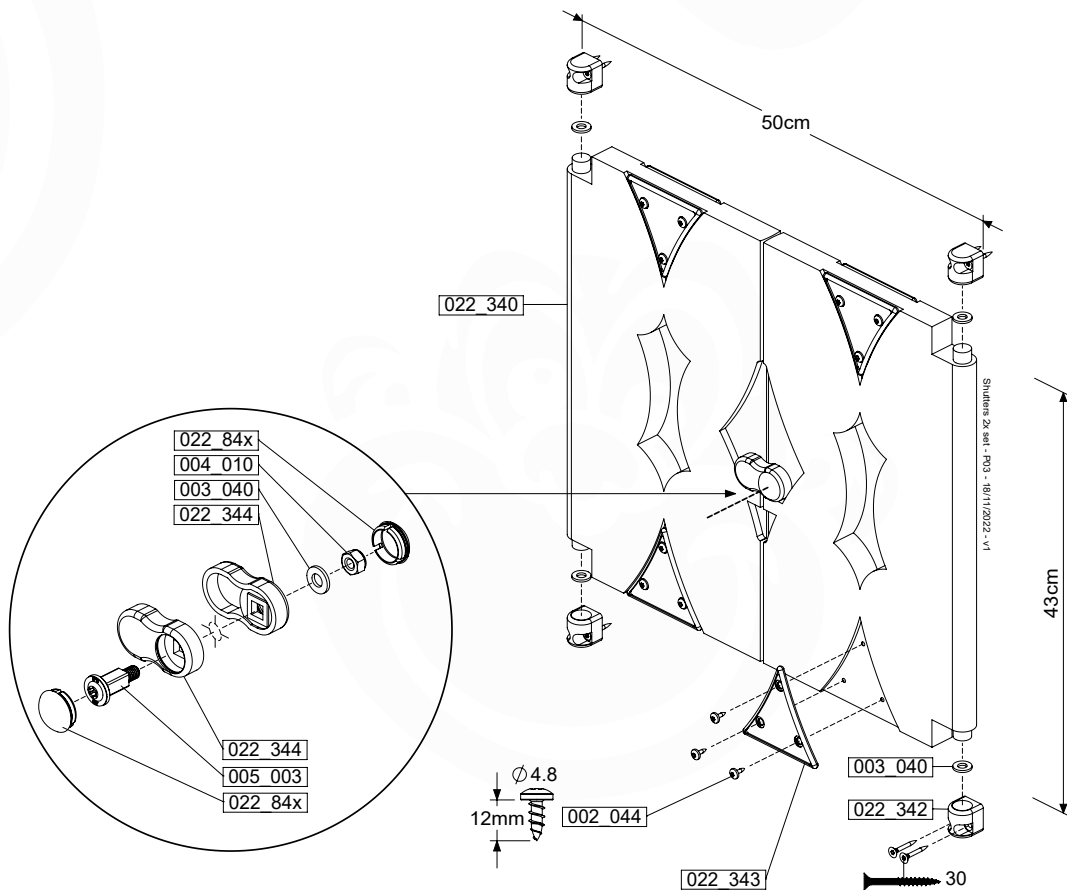
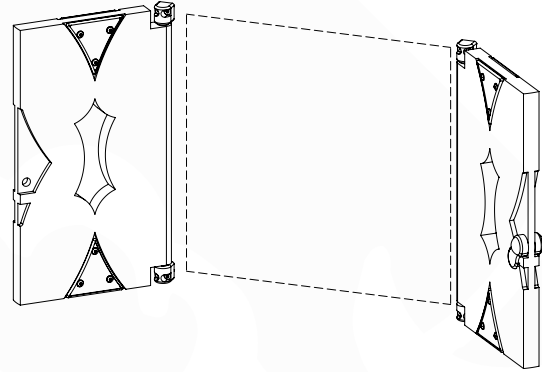
cm

33 AC02a: Shutters

(250_075)

	PartNo	PartName	QTY.
Hardware Pack	002_044	Pan head screw - DIN 7981 - T25 - 4.8x12	24
	002_219	Gap Point Screw T25 - 5x30	8
	003_040	M8 Washer	5
	004_010	M8 Locking Nut	1
	005_003	Lock bolt	1
Other	022_84x	bpc cover	2
	022_340	Shutter	2
	022_342	Hinge	4
	022_343	Decoration plate	8
	022_344	Lock	2

Shutters 2x set - P02 - 18/11/2022 - v1

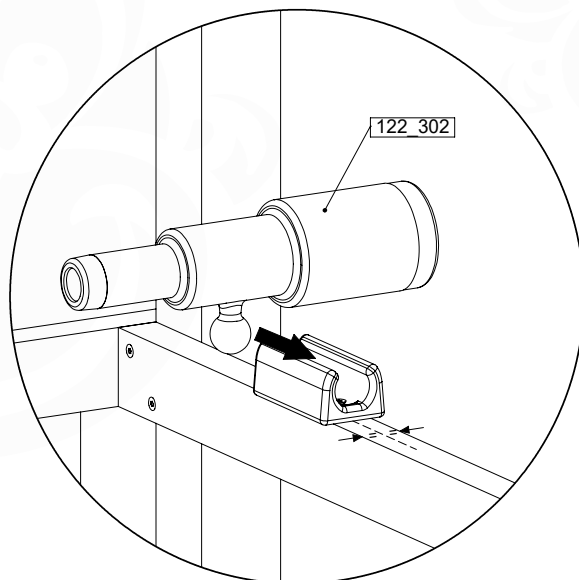
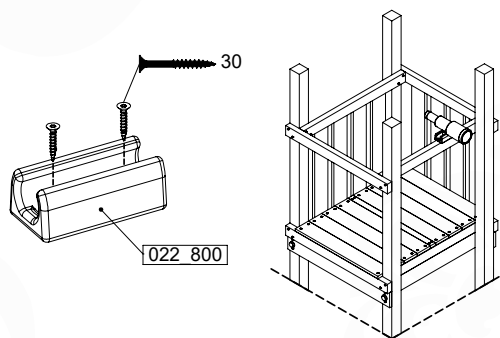
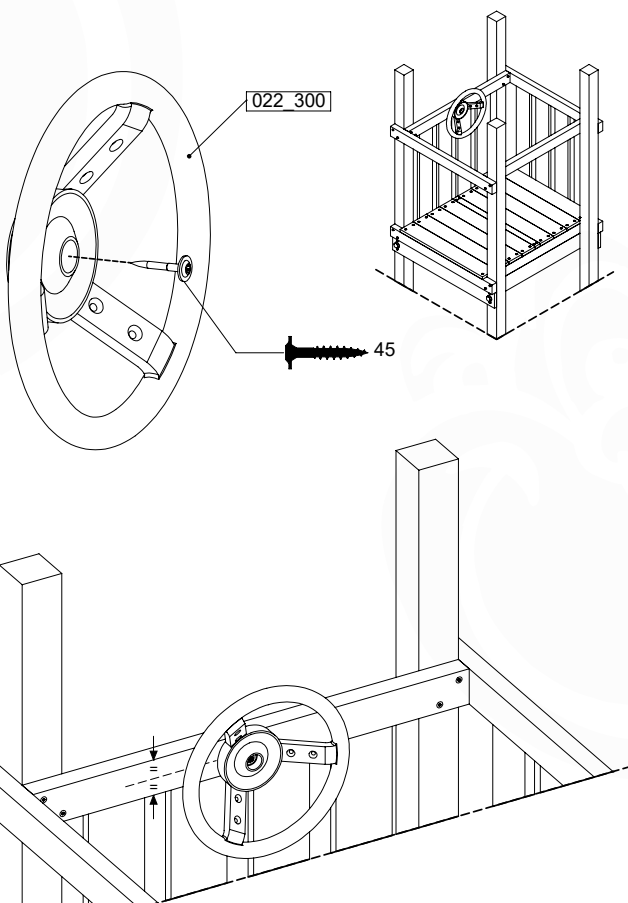
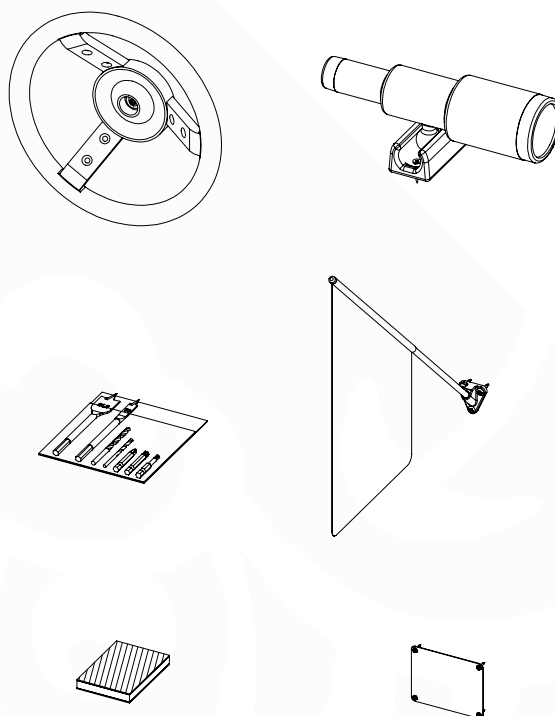


34 AC01a: Accessories

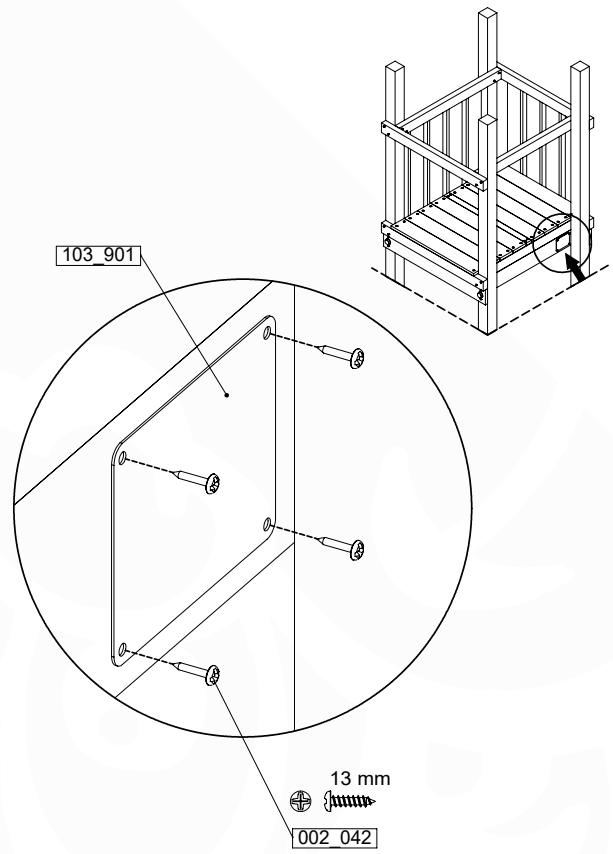
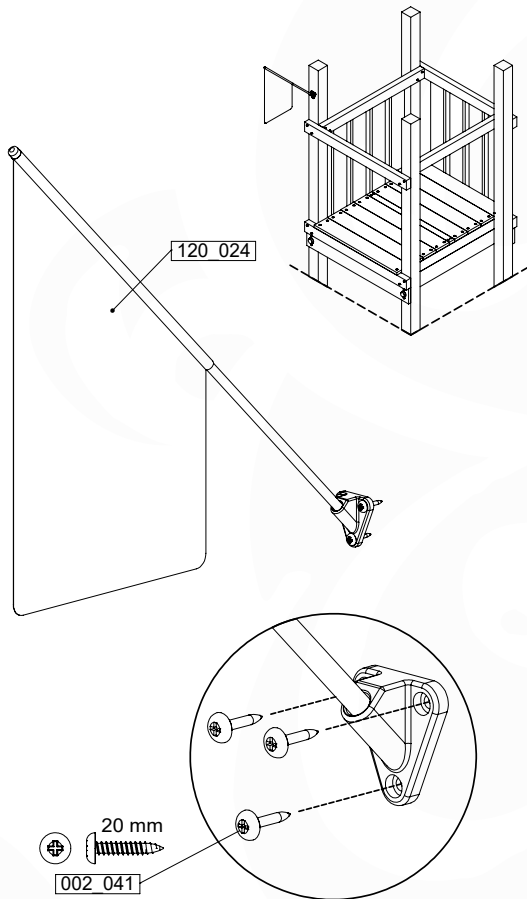
(194_119)

	PartNo	PartName	QTY.
Hardware Pack 100_617	001_406	Stealth Screw 8x45	1
	002_041	Dome head screw 4.5 x 20 mm	3
	002_042	Dome head screw 3.5 x 13mm	4
	002_219	Gap Point Screw T25 - 5x30	2
Other	022_300	Steering Wheel	1
	022_800	Rail P/T 105	1
	022_910	Sandpad	1
	103_901	Logo ID Plate	1
	104_107	Tool Set Climbing Units	1
	120_024	Tower Flag	1
	122_302	Telescope	1

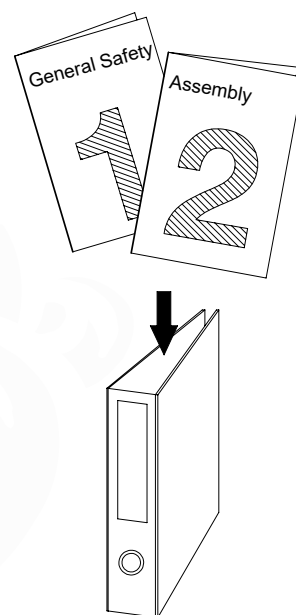
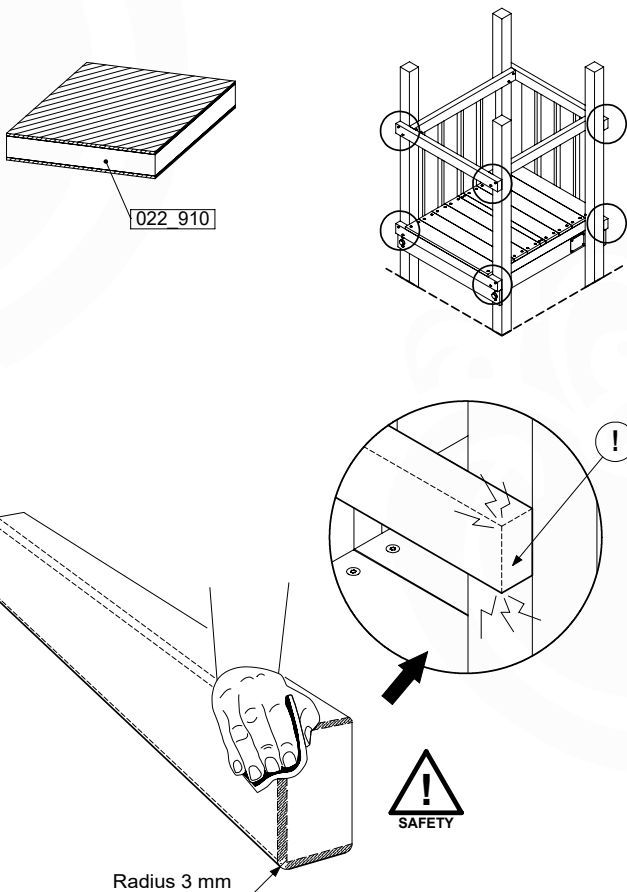
Accessory set - P02 - 24/01/2024 - v5



Accessory set - P03 - 24/01/2024 - v5



Accessory set - P04 - 24/01/2024 - v5



Accessory set - P05 - 24/01/2024 - v5

35 Declaration of conformity

Activity toys for domestic use Aktivitätsspielzeug für den häuslichen Gebrauch Jouets d'activité à usage familial

1. Wooden climbing frames

20240416_v3

1.1. Assemblies

Playtowers	801_005, 801_009, 801_010, 801_013, 801_025, 801_040, 801_060, 801_070, 801_090, 801_095, 801_100, 801_103, 801_105, 801_110, 801_120, 801_200, 802_202, 802_204, 802_206, 802_208, 803_202, 803_204, 803_206, 803_208, 803_210, 809_802, 809_804
Swings	801_300, 801_601, 801_602
Modules	850_176, 850_177, 850_231, 850_232, 857_101, 857_102, 857_105, 857_106, 857_151, 857_152, 857_157, 857_158, 850_240

1.2. Sub assemblies

Base towers (BT)	BT01a, BT02a, BT03a, BT11a, BT14a, BT15a, BT20a
Extension towers (ET)	ET01a, ET02a, ET05a, ET06a, ET07a, ET08a, ET09a, ET10a, ET11a, ET12a, ET13a, ET14a, ET15a, ET16a, ET17a, ET18a, ET19a, ET20a, ET22a, ET23a, ET27a, ET28a, ET35a, ET29a, ET39a, ET40a
Bridges (CB, NB, BB, TB)	CB01a, NB01a, BB01a, BB02a, TB01a, TB02a, TB03a, TB04a
Roofs (RF)	RF01a, RF21a, RF02a, RF03a, RF04a, RF05a, RF06a, RF20a, RF02b, RF03b, RF07a, RF08a, RF22a, RF09a, RF23a, RF11a, RF12a, RF07b, RF12b, RF08b, RF22b, RF09b, RF23b, RF11b, RF14a, RF24a, RF15a, RF25a, RF18a, RF18b, RF14b, RF24b, RF15b, RF25b
Balustrade (BL, BF)	BL01a, BL02a, BL21a, BF25a, BF26a, BF27a, BF28a, BF01a, BF02a, BF03a, BF04a, BF05a, BF06a, BF07a, BF08a, BF01b, BF02b, BF03b, BF04b, BF05b, BF06b, BF07b, BF08b, BF21a, BF22a, BF23a, BF24a, BF21b, BF22b, BF23b, BF24b
Playhouse (PH)	PH03a, PH04a, PH05a, PH06a, PH10a, PH11a, PH40a, PH41a, PH12a, PH13a, PH14a, PH15a, PH42a, PH43a, PH44a, PH45a, PH16a, PH17a, PH18a, PH19a, PH30a, PH31a, PH16b, PH17b, PH18b, PH19b, PH46a, PH47a, PH48a, PH49a, PH16c, PH17c, PH18c, PH19c, PH46b, PH47b, PH48b, PH49b, PH20a, PH21a, PH22a, PH23a, PH24a, PH25a, PH26a, PH27a, PH32a, PH33a, PH52a, PH53a, PH54a, PH55a, PH56a, PH57a, PH50a, PH51a, PH26b, PH27b, PH26c, PH27c, PH56b, PH57b
Ladder (LA)	LA05a, LA06a, LA01a, LA02a, LA03a, LA01b, LA02b, LA03b, LA11a, LA12a, LA13a, LA14a, LA15a, LA16a, LA17a, LA18a, LA31a, LA32a, LA33a, LA34a, LA35a, LA36a, LA37a, LA38a, LA21a, LA22a, LA23a, LA24a, LA25a, LA26a, LA43a, LA44a, LA45a, LA46a
Two Step Ladder (TS)	TS01a, TS01b, TS02a, TS02b, TS03b, TS22a, TS05a, TS06a, TS07a, TS08a, TS09a, TS10a, TS11a, TS12a, TS15a, TS16a, TS17a, TS18a, TS19a, TS20a, TS21a, TS22a
Rope Ladder (RL)	RL01a, RL02a, RL05a, RL06a, RL07a, RL08a, RL09a, RL10a, RL11a, RL12a, RL15a, RL16a, RL19a, RL20a
Rock wall (RW)	RW01a, RW02a, RW01b, RW02b, RW03b, RW31a, RW32a, RW33a, RW05a, RW06a, RW07a, RW08a, RW09a, RW10a, RW11a, RW12a, RW40a, RW41a, RW15a, RW16a, RW17a, RW18a, RW19a, RW20a, RW46a, RW47a
Ramp (RA)	RA03a, RA04a, RA05a, RA06a, RA07a, RA08a, RA11a, RA12a, RA21a
Net (NA, NS)	NA01a, NA02a, NS01a, NS02a, NS03a, NS21a, NA04a, NA05a, NS04a, NS05a, NS06a, NS07a, NA08a, NA09a, NS08a, NS09a
Boat (BO)	BO01a
Market (MT)	MT01a, MT02a, MT05a, MT06a, MT11a, MT12a
Picnic (PC)	PC01a, PC01b, PC05a, PC06a, PC09a, PC10a
Gymnastics bar (GY)	GY01a
Fireman's pole (FP)	FP01a, FP02a, FP04a, FP05a, FP06a, FP07a, FP23a, FP24a, FP25a, FP26a, FP27a, FP28a
Slides (SL)	SL01a, SL02a, SL03a, SL06a, SL07a, SL08a, SL09a, SL10a, SL11a, SL12a, SL13a, SL26a, SL27a, SL28a, SL29a
Swing (SM)	SW17a, SW21a, SW18a, SW22a, SW01a, SW05a, SW02a, SW06a, SW09a, SW13a, SW10a, SW14a
Climb (CL)	CL17a, CL21a, CL18a, CL22a, CL01a, CL05a, CL02a, CL06a, CL09a, CL13a, CL10a, CL14a
Universal Beam (UB)	UB01a, UB04a, UB02a, UB05a, UB03a, UB06a
Accessories (AC)	AC30a, AC31a, AC32a, AC33a, AC01a, AC05a, AC07a, AC03a, AC04a, AC06a, AC23a, AC22a, AC24a, AC21a, AC25a, AC02a, AC09a, AC08a, AC10a

2. Construction packages

2.1 Assembly Kits

Playtowers	401_015, 401_080, 401_125, 402_201, 402_202, 402_204, 402_206, 402_208, 403_202, 403_204, 403_206, 403_208, 403_210, 409_802, 409_804
Swings	401_300, 401_600
Modules	457_005, 457_102, 457_103, 457_106, 457_107, 457_205

2.2 Assembly Packs

Sub assemblies	194_002, 194_003, 194_004, 194_006, 194_007, 194_008, 194_009, 194_010, 194_100, 194_101, 194_102, 194_103, 194_104, 194_105, 194_107, 194_108, 194_109, 194_110, 194_111, 194_112, 194_113, 194_114, 194_115, 194_116, 194_117, 194_118, 194_119, 194_300, 194_308, 194_312, 194_500, 194_501, 194_508, 194_510, 194_802, 194_804, 194_809, 194_810, 194_811, 194_812
----------------	--

3. Accessories and components

Slides XL	324_100, 324_200, 324_300, 324_400, 324_500, 324_600
Slides XXL	334_100, 334_200, 334_300, 334_400, 334_500, 334_600
Fireman's pole	201_275
Climbing	201_060, 201_273
Imagination	201_280, 201_285, 201_290, 201_295, 202_473, 450_310, 450_320, 450_330
Swinging	250_001, 250_013, 250_025, 250_034, 250_053
Functional	123_220, 123_222, 123_230, 201_115, 201_220, 201_250, 201_260, 201_270, 202_620, 202_621, 202_622, 202_623, 202_624, 202_625, 202_626, 202_627, 202_628, 202_629, 202_824, 250_065, 250_070, 250_075

Applicable EU directives and standards

General

- General Product Safety Directive (GPSD) 2001\48\EG
- Reach directive 1907\2006
- AfPS GS 2019:01 PAK

Activity Toys

- Toy Safety Directive (TSD) 2009\48\EG
- EN Standard 71 Safety of Toys
 - EN 71-1:2014 + A1:2018 Safety of toys Mechanical and physical properties
 - EN 71-2:2020 Flammability
 - EN 71-3:2019 + A1:2021 Migration of certain elements
 - EN 71-8:2018 Safety of toys Activity toys for domestic use

Supplementary information

Conformity to the above specified directives and standards has been frequently verified by TÜV Rheinland LGA products, DEKRA, LNE SA, since 1994. Jungle Gym participates in the European Commission for standardisation for the safety of activity toys (TC52/WG10).



EN 71-1,-2, -3, -8 & -9

Manufacturer details

Company Name: Jungle Gym B.V.
Address: Valschermkade 18, 1059 CD Amsterdam, Netherlands
Email: info@junglegym.com

Declaration

I hereby declare under our sole responsibility that the products mentioned above, to which this declaration relates, comply with the above mentioned directives and standards when the installation, assembly, and maintenance instructions are strictly followed.

Name
Mr. P. Schmit / Director

Issued date
Monday 22nd July, 2024

A handwritten signature in blue ink, appearing to read 'P. Schmit', is written over a horizontal line.

Signature of representative

Jungle Gym B.V. | P.O. Box 75083 | 1070 AB Amsterdam | Netherlands | Phone: +31 85 444 41 00 | e-mail: info@junglegym.com | www.junglegym.com