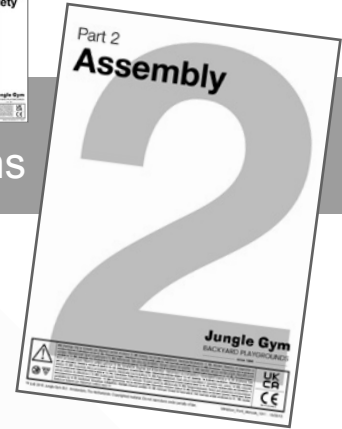


# Part 2

# Assembly

Instructions



Config ID: i0h01m  
 Product Name: Haven 2-Swing  
 Product ID: 211420








Watch in 3D



# Jungle Gym

## BACKYARD PLAYGROUNDS

since 1988

<p><b>Assembly time</b> 12.0 hours by 2 adults</p> 	 <p>EN. Warnings. Only for domestic use. Maximum number of users is 4. DE. Achtung. Nur für den Hausgebrauch. Maximale Benutzerzahl: 4. FR. Attention. Réserve à un usage familial. Le nombre maximal d'utilisateurs est de 4. NL. Waarschuwingen. Uitsluitend voor huishoudelijk gebruik. Het maximale aantal gebruikers is 4. BG. Внимание. За употреба само в домашни условия. Максималният брой потребители е 4. CS. Varování. Jen pro domácí použití. Maximální počet uživatelů je 4. DA. Advarsler. Kun til privat brug. Maksimum antal brugere er 4. EL. Προειδοποιήσεις. Μόνο για οικιακή χρήση. Μέγιστος αριθμός χρηστών 4. ES. Advertencias. Sólo para uso doméstico. Número máximo de usuarios: 4. ET. Hoiatused. Ainult koduseks kasutamiseks. Maksimaalne kasutajate arv on 4. FI. Varoitukset. Ainoastaan kotikäyttöön. Käyttäjää yhteensä enintään 4. HR. Upozorenja. Samo za kućansku uporabu. Maksimalan broj korisnika je 4. HU. Figyelmeztetések. Csak otthoni használatra! A használók max. száma: 4. IS. Varnaðarorð. Eingöngu fyrir einkanoðkun í heimahúsum og á einkalóðum. Hámarksfjöldi notenda er 4. IT. Avvertenze. Solo per uso domestico. Massimo numero di utenti è 4. LT. Įspėjimai. Tik buitiniam naudojimui. Maksimalus naudotojų skaičius 4. LV. Brīdinājumi. Izmantot tikai mājās. Maksimālais lietotāju skaits ir 4. NO. Advarsler. Kun for privat bruk. Maksimalt antall brukere er 4. PL. Ostrzeżenia. Wyłącznie do użytku domowego. Maksymalna liczba użytkowników to 4. PT. Avisos. Apenas para uso doméstico. O número máximo de utilizadores é 4. RO. Avertismente. Numai pentru uz domestic. Numărul maxim de utilizatori este 4. RU. Предостережения. Только для домашнего использования. Максимальное количество пользователей - 4. SK. Upozornenia. Iba na domáce použitie. Maximálne množstvo osôb je 4. SL. Opozorila. Samo za domačo uporabo. Maksimalno število uporabnikov je 4. SR. Upozorenja. Samo za kućnu upotrebu. Maksimalan broj korisnika je 4. SV. Varningar. Endast för hemmabruk. Det maximala antalet användare är 4. TR. Uyarılar. Sadece ev kullanımı için. Maksimum kullanıcı sayısı 4.</p>	 <p>EN 71-1, 2, 3, 6 &amp; 9</p>  
--	--	---

# 1 Helpdesk JungleGym

## FAQ & Support



English



Deutsch



Français



Nederlands



info@junglegym.com



EU 0031 85 44 44 100

AT 0043 72 08 153 33

BE 0032 78 48 16 19

CH 0041 43 50 87 350

DE 0049 32 22 10 98 299

ES 0034 657 76 64 25

FR 0033 97 75 58 222

IE 0035 38 1800 0300

LU 0035 22 08 80 512

NL 0031 85 44 44 102

UK 0044 20 369 505 53

Monday-Friday,

CET 9:00am - 5:00pm

Local phone charges may apply.

## 2 Start

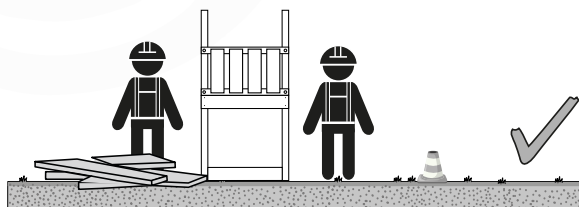
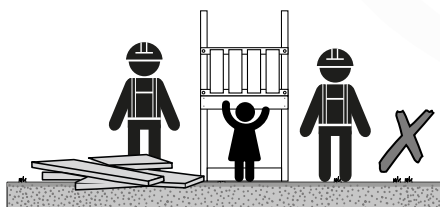
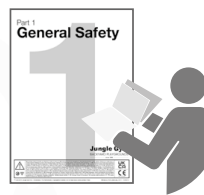
### 2.1 Safety



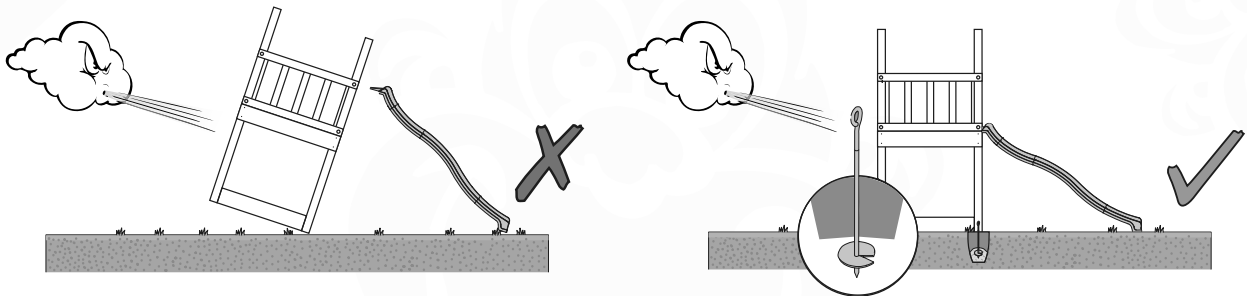
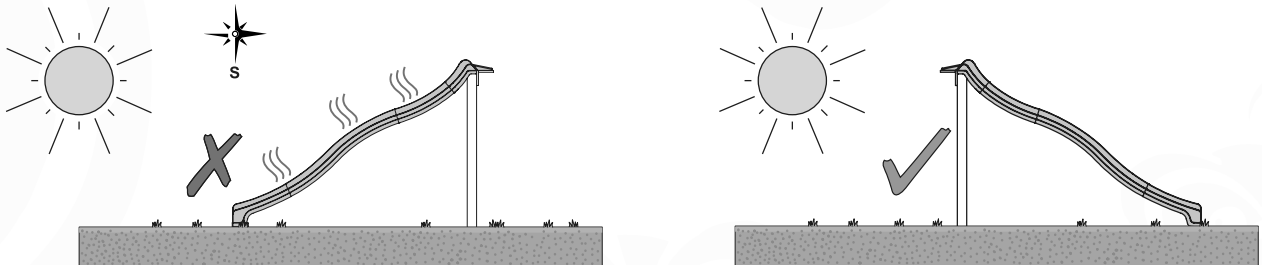
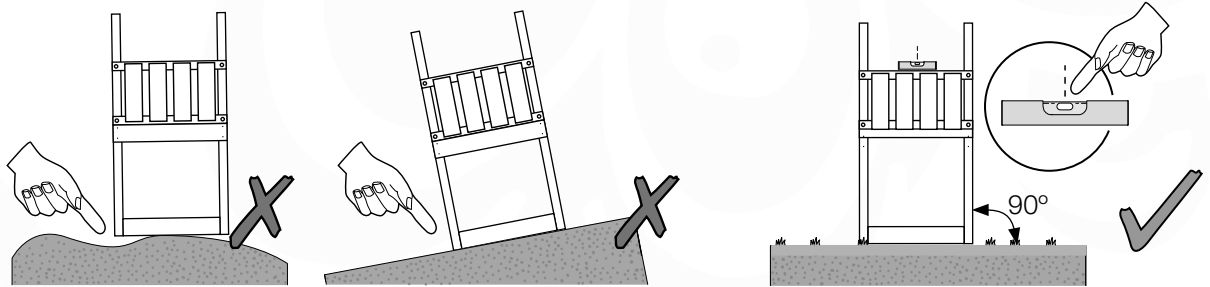
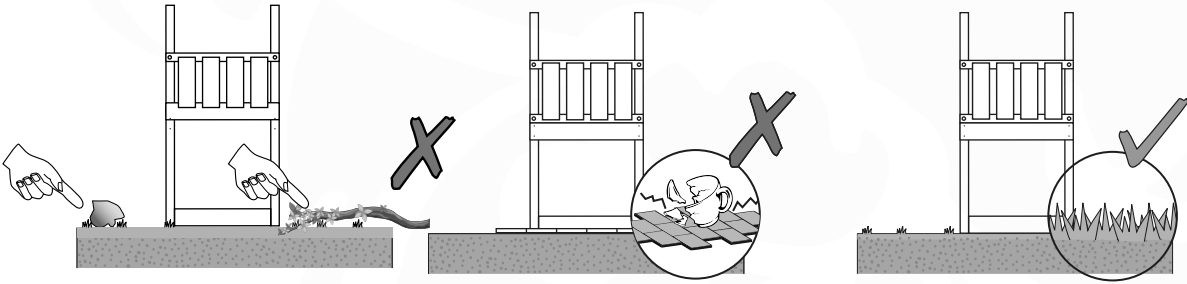
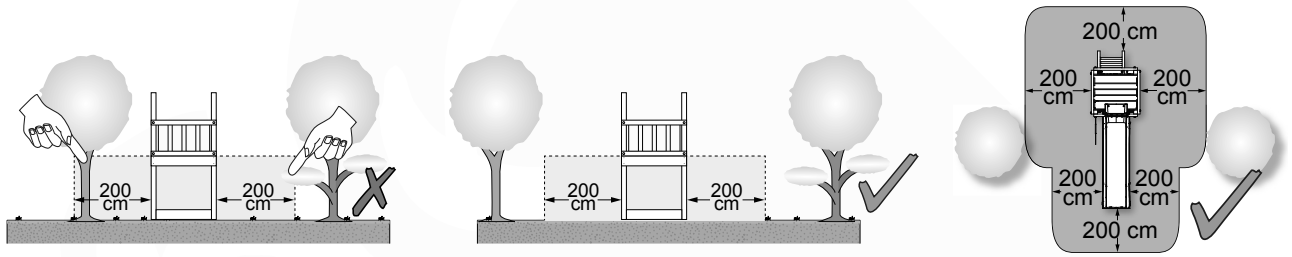
Download

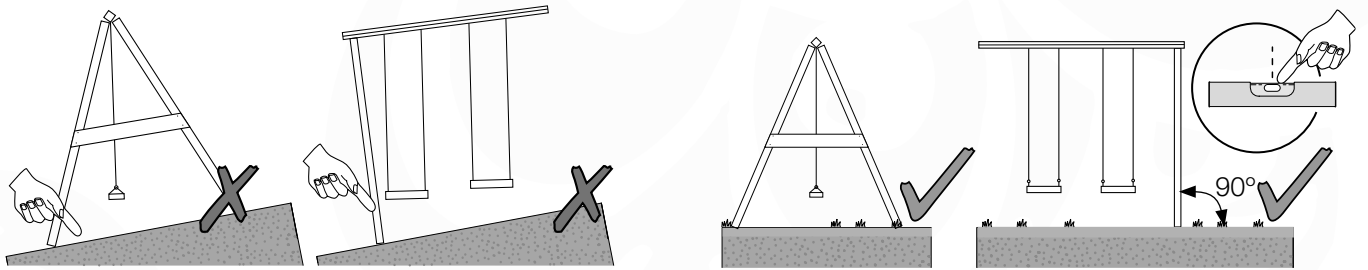
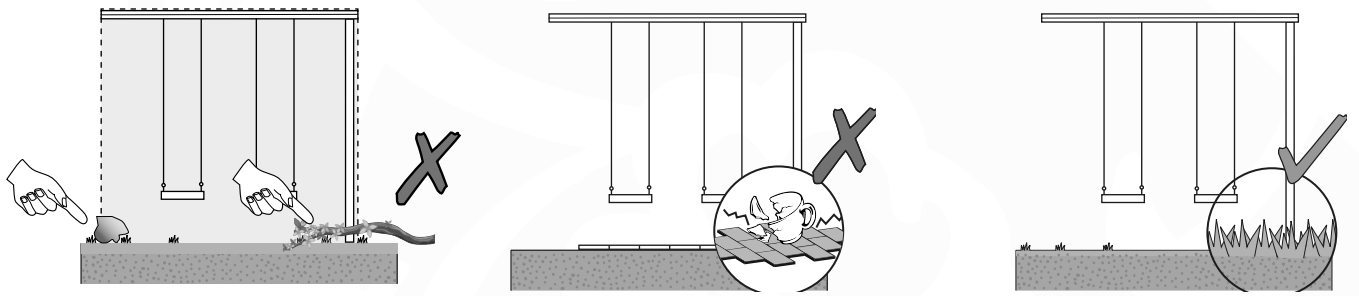
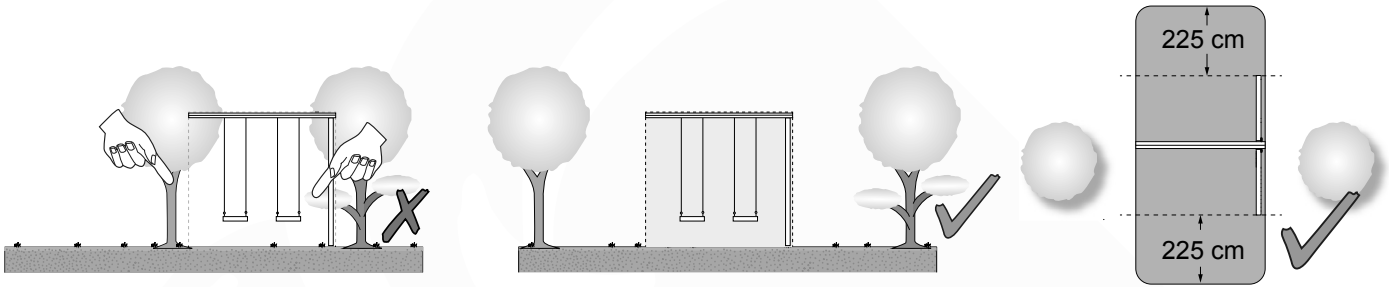


Part 1

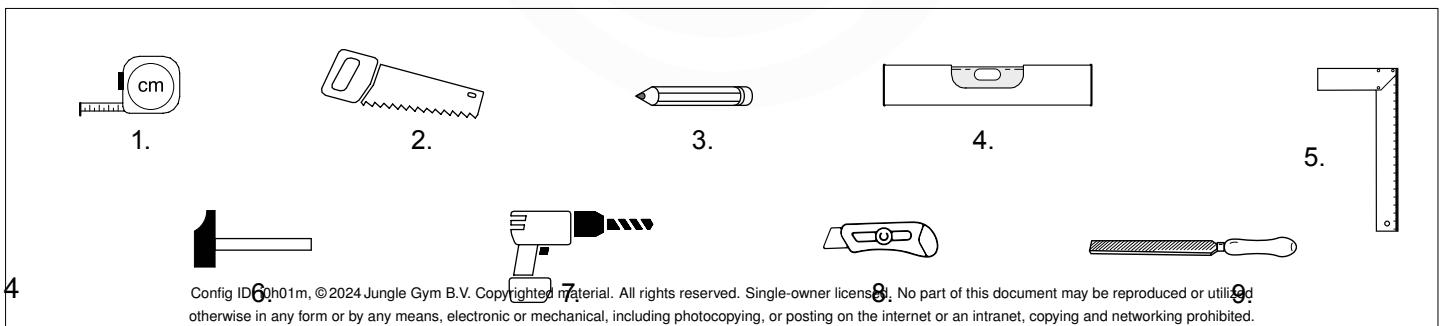


## 2.2 Planning

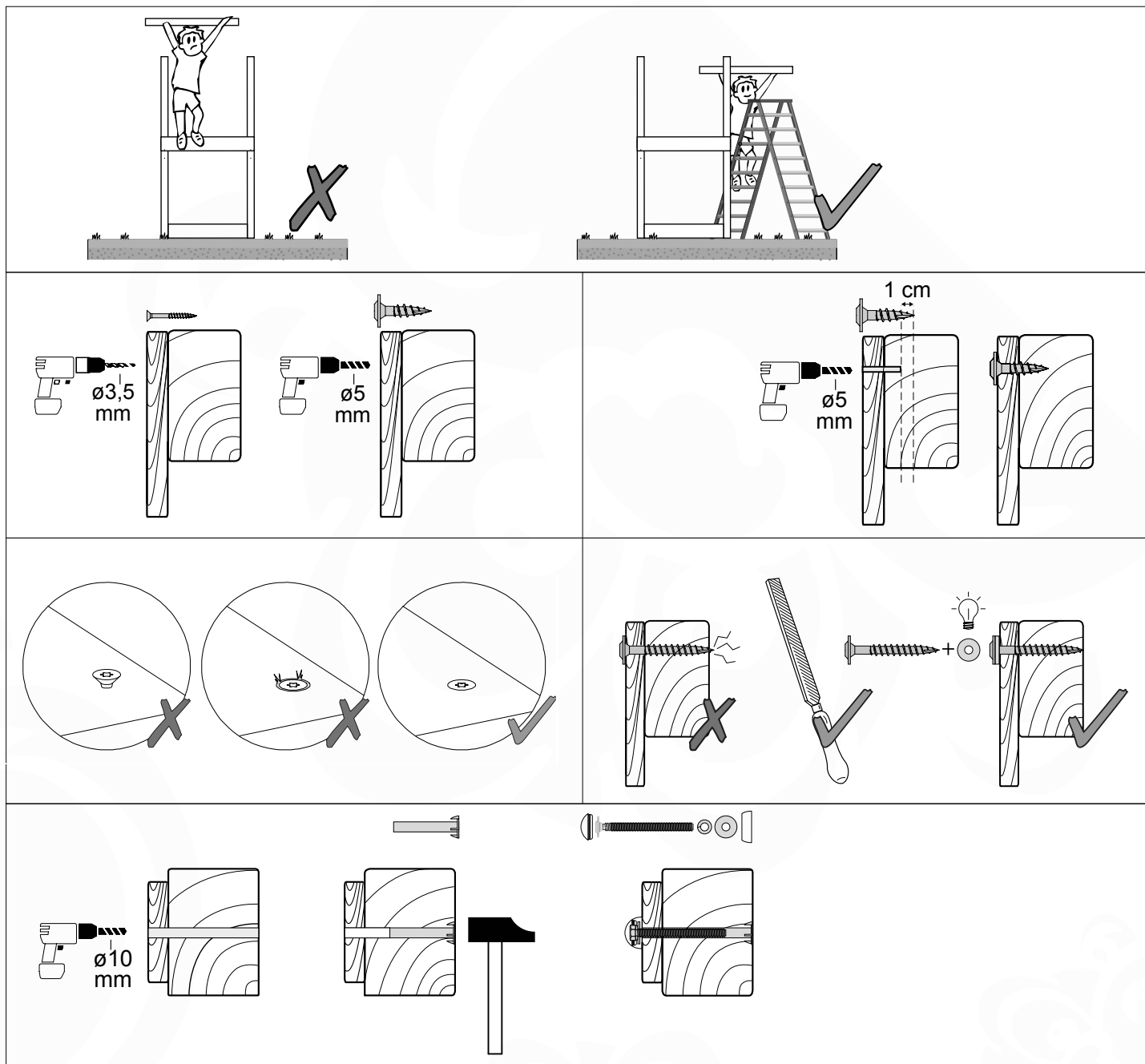




### 2.3 Tools



## 2.4 Assembly



## 3 Overview

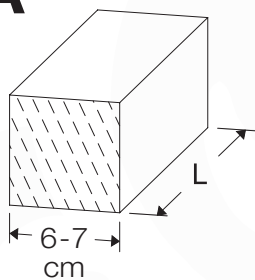
### 3.1 Order specification



#	Description	Supplier ID	Assembly ID
2	Base Tower 80_220220_125	790_003	BT03a
2	Roof Timber Clapboard 80	790_201	RF01a
2	Balustrade 80_ U	790_301	BL01a
1	Playhouse 80 T Window	790_313	PH06a
1	Rock wall 80_125 T	790_401	RW02a
1	TwoStep Ladder 80_125 U	790_411	TS01a
1	Market 80 U	790_502	MT01a
1	Clatter Bridge 80 uni	790_601	CB01a
1	Slide Frame 80_125 U	790_901	SL01a
1	2- Swing Module 200 3.0	757_110	SW06a
1	Accessories Set	194_119	AC01a
1	Accessories Swing Seat	250_034	AC21a
1	Accessories Monkey Bar	250_013	AC22a
1	Wavy Star Slide XL	324_x00a	324_x00a

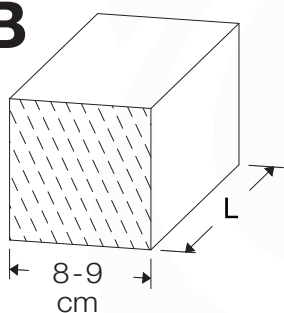
### 3.2 Timber parts

**A**



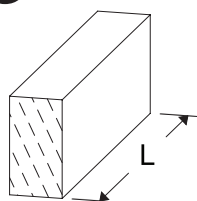
ID	L	#
A123	122 cm - 123 cm	1
A220	219 cm - 220 cm	10

**B**



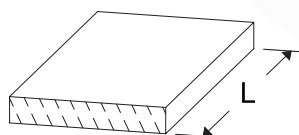
B220	219 cm - 220 cm	1
------	-----------------	---

**C**



C56	55 cm - 56 cm	4
C62	61 cm - 62 cm	4
C74	73 cm - 74 cm	15
C141	140 cm - 141 cm	2

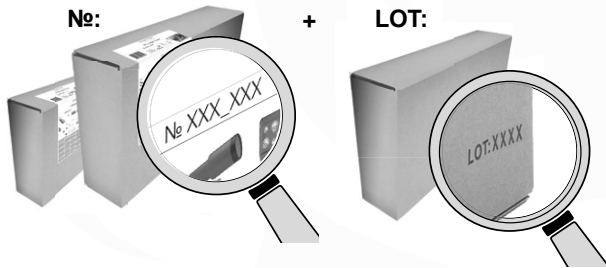
**D**



D60	59 cm - 60 cm	35
D65	64 cm - 65 cm	8
D74	73 cm - 74 cm	60
D141	140 cm - 141 cm	4

# 4 Product registration

## 4.1 Assembly kits



### Example

№: X X X \_ X X X LOT: X X X X

	№:		LOT:
1.	■ ■ ■ ■ ■	■ ■ ■ ■ ■	■ ■ ■ ■ ■
2.	■ ■ ■ ■ ■	■ ■ ■ ■ ■	■ ■ ■ ■ ■
3.	■ ■ ■ ■ ■	■ ■ ■ ■ ■	■ ■ ■ ■ ■
4.	■ ■ ■ ■ ■	■ ■ ■ ■ ■	■ ■ ■ ■ ■
5.	■ ■ ■ ■ ■	■ ■ ■ ■ ■	■ ■ ■ ■ ■

	№:		LOT:
6.	■ ■ ■ ■ ■	■ ■ ■ ■ ■	■ ■ ■ ■ ■
7.	■ ■ ■ ■ ■	■ ■ ■ ■ ■	■ ■ ■ ■ ■
8.	■ ■ ■ ■ ■	■ ■ ■ ■ ■	■ ■ ■ ■ ■
9.	■ ■ ■ ■ ■	■ ■ ■ ■ ■	■ ■ ■ ■ ■
10.	■ ■ ■ ■ ■	■ ■ ■ ■ ■	■ ■ ■ ■ ■

## 4.2 Slide



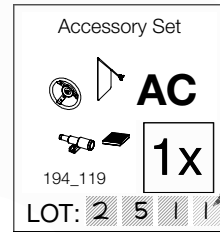
■ ■ ■ ■ ■
■ ■ ■ ■ ■
■ ■ ■ ■ ■



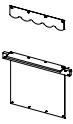
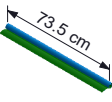



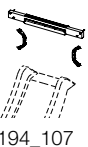
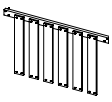

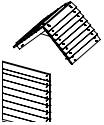
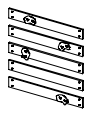

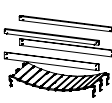
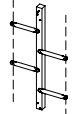


### 4.3 Assembly packs



#### Example



<p>Swing Module Kit</p>  <p><b>SW</b></p> <p>457_103</p> <p><b>1x</b></p> <p>LOT: <input type="text"/></p>	<p>Hardware 01</p>  <p><b>BL H01</b></p> <p>194_101</p> <p><b>2x</b></p> <p>LOT: <input type="text"/></p>	<p>Market</p>  <p><b>MT</b></p> <p>194_113</p> <p><b>1x</b></p> <p>LOT: <input type="text"/></p>	<p>Canvas 136 x 74cm</p>  <p>123_220</p> <p><b>1x</b></p> <p>LOT: <input type="text"/></p>	<p>Accessory Set</p>  <p><b>AC</b></p> <p>194_119</p> <p><b>1x</b></p> <p>LOT: <input type="text"/></p>
<p>Slide XL 2.2m</p>  <p>324_x00</p> <p><b>1x</b></p> <p>LOT: <input type="text"/></p>	<p>Swing Seat</p>  <p><b>AC</b></p> <p>250_034</p> <p><b>1x</b></p> <p>LOT: <input type="text"/></p>	<p>Slide Frame</p>  <p><b>SL</b></p> <p>194_107</p> <p><b>1x</b></p> <p>LOT: <input type="text"/></p>	<p>Balustrade 140</p>  <p><b>BL</b></p> <p>194_501</p> <p><b>1x</b></p> <p>LOT: <input type="text"/></p>	<p>Tower 80</p>  <p><b>BT ET</b></p> <p>194_100</p> <p><b>2x</b></p> <p>LOT: <input type="text"/></p>
<p>Roof Timber 80 / Wall Panel</p>  <p><b>RF PH</b></p> <p>194_111</p> <p><b>2x</b></p> <p>LOT: <input type="text"/></p>	<p>Rock Wall 80</p>  <p><b>RW</b></p> <p>194_105</p> <p><b>1x</b></p> <p>LOT: <input type="text"/></p>	<p>Monkey Bar</p>  <p><b>AC</b></p> <p>250_013</p> <p><b>1x</b></p> <p>LOT: <input type="text"/></p>	<p>Clatter Bridge</p>  <p><b>CB</b></p> <p>194_116</p> <p><b>1x</b></p> <p>LOT: <input type="text"/></p>	<p>Two Step Ladder 80</p>  <p><b>TS</b></p> <p>194_102</p> <p><b>1x</b></p> <p>LOT: <input type="text"/></p>

## 4.4 Your config ID: i0h01m

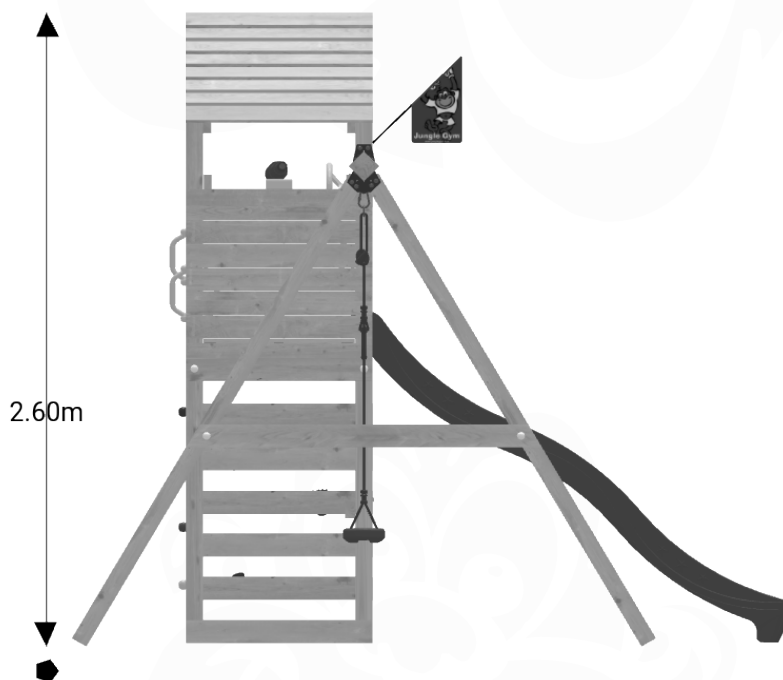
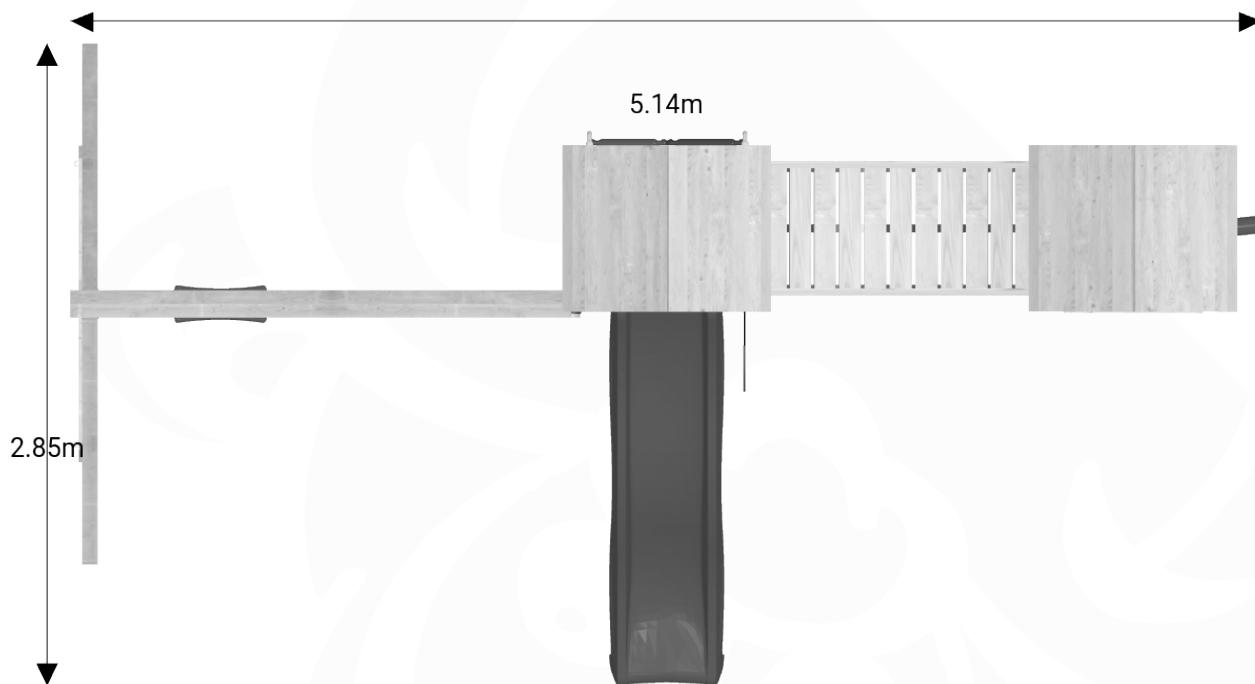


## 5 Hardware Identification

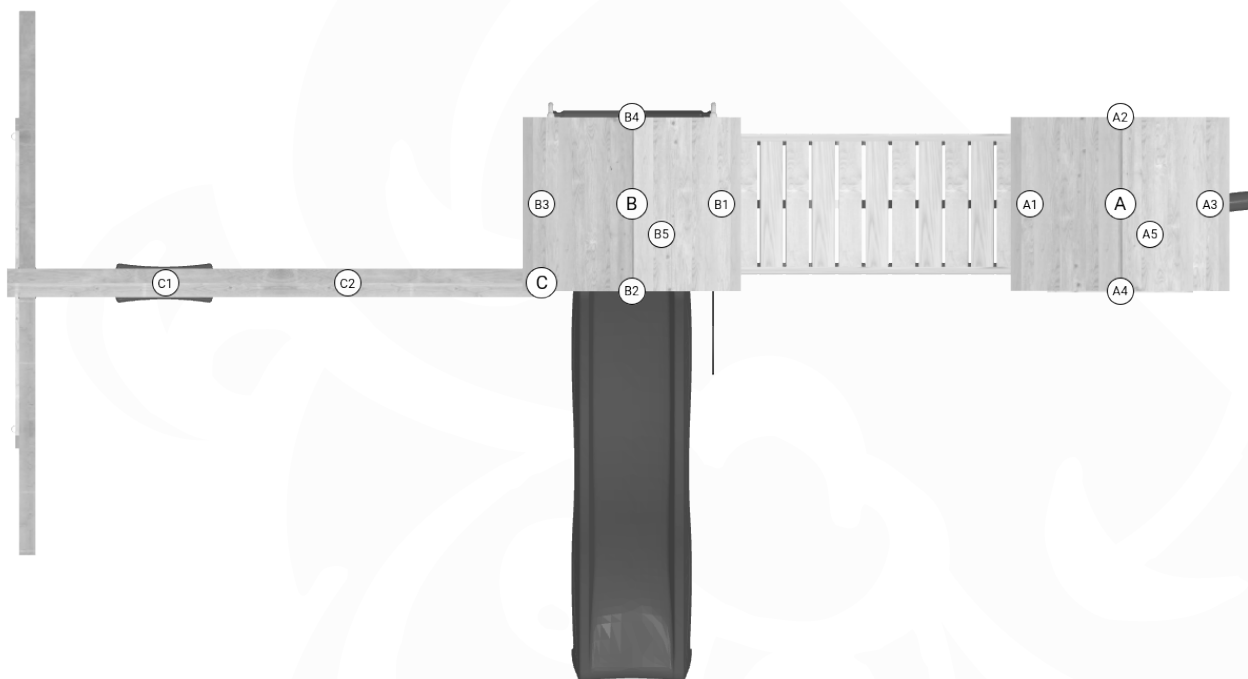
		SKU		L			
		001_404	30 mm				
		001_406	45 mm			002_308	20 mm
		001_411	60 mm			002_219	30 mm
		001_417	80 mm			002_220	45 mm
		001_422	137 mm			002_223	80 mm
		001_102	30 mm				
						004_050	22mm
		000_101	20 mm				
						003_010	
		002_036	16 mm				
		002_041	20 mm			003_034	
		002_042	13 mm			022_845	Yellow
		002_301	40 mm				
						022_846	Blue
						022_847	Green
						022_848	Red
						023_031	White
						120_005	White
				022_844	022_314		

output: 27/06/24

## 6 Dimensions



## 7 Assembly Planning



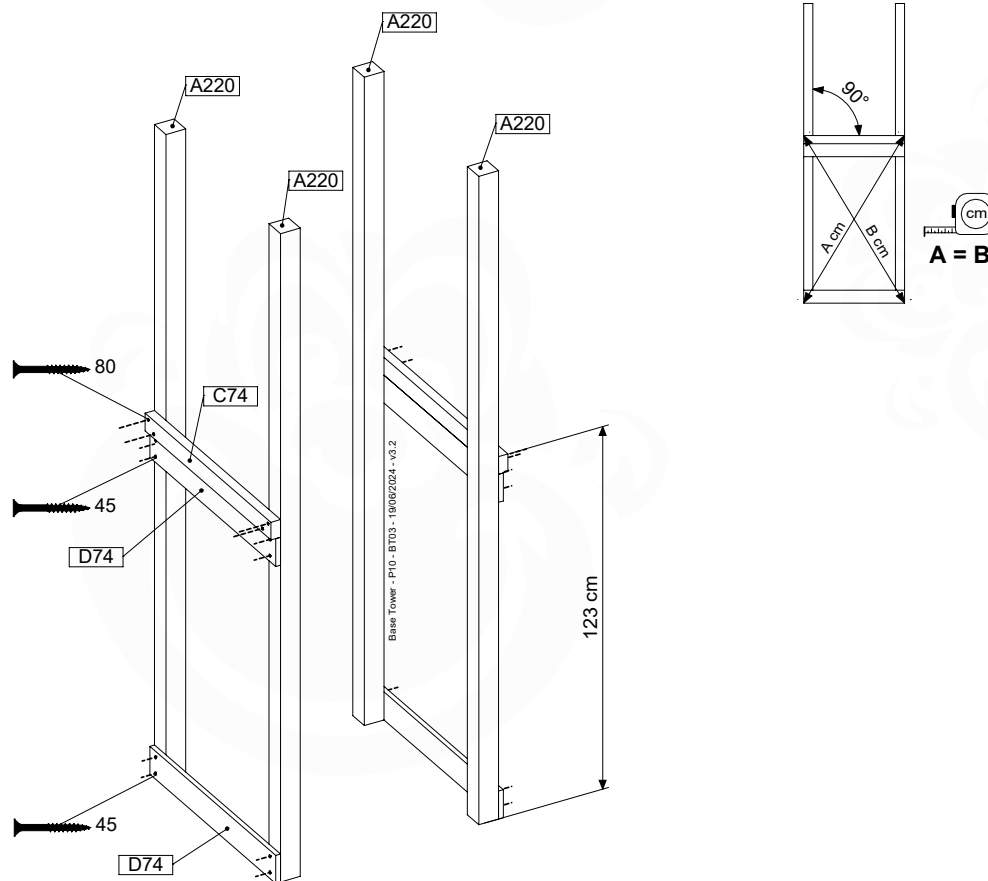
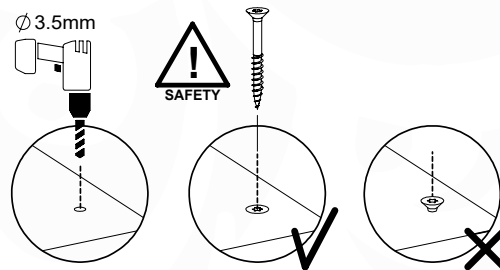
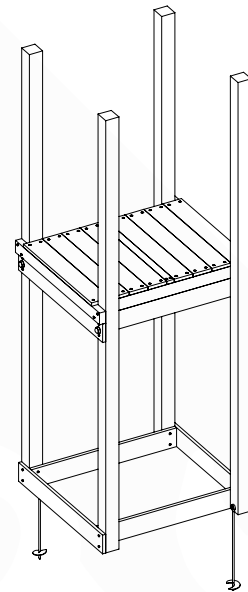
	ID			A	B	C
1	BT03a		p.13	✓	✓	-
2	BL01a		p.15	A2, A4	-	-
3	RF01a		p.16	A5	B5	-
4	CB01a		p.18	A1	B1	-
5	PH06a		p.21	-	B3	-
6	RW02a		p.23	A3	-	-
7	TS01a		p.25	-	B4	-
8	MT01a		p.27	A4	-	-
9	SW06a		p.31	-	-	✓
10	SL01a		p.39	-	B2	-
11	GA		p.42	✓	✓	✓
12	AC01a		p.44	-	B1	-

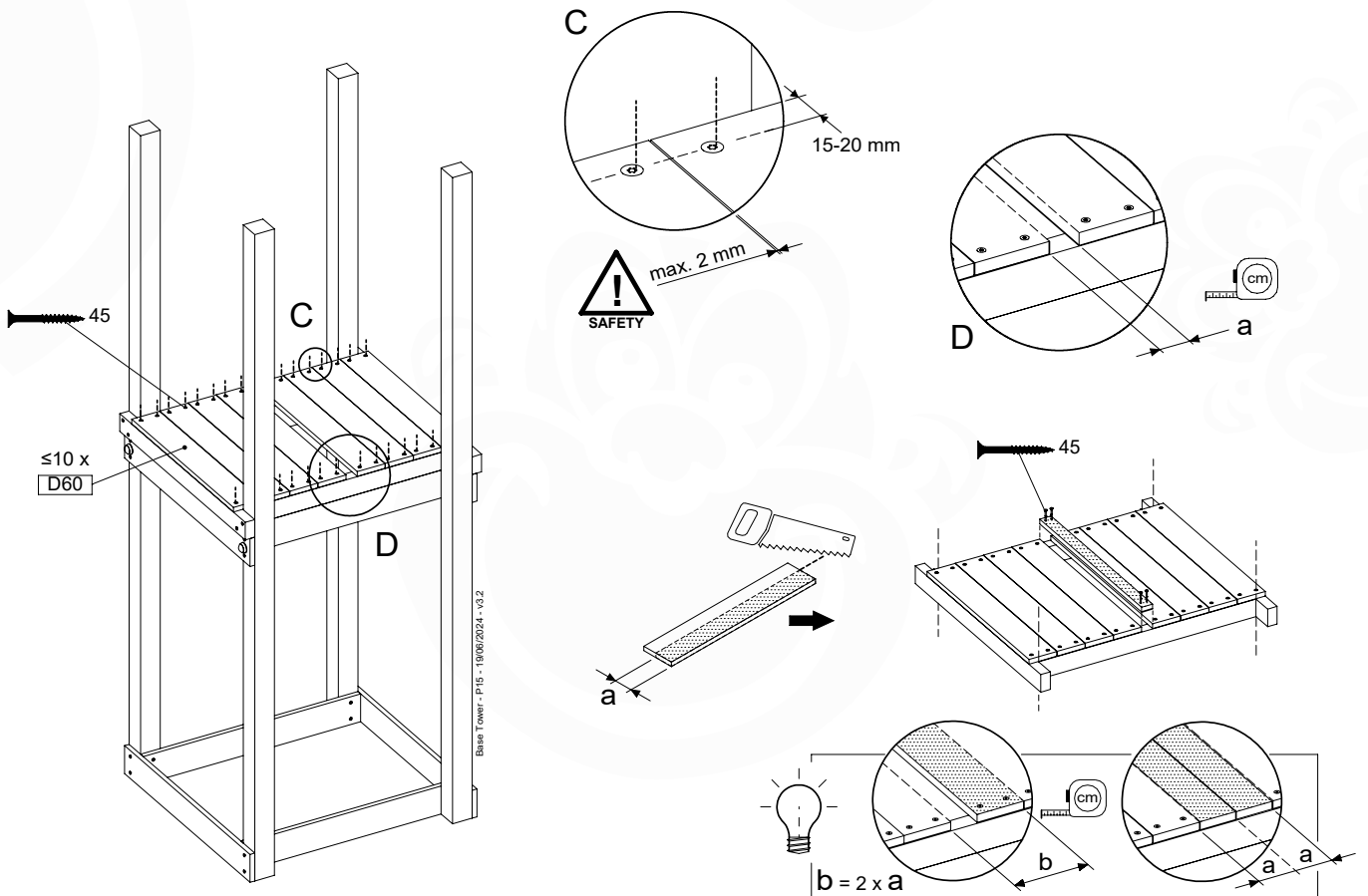
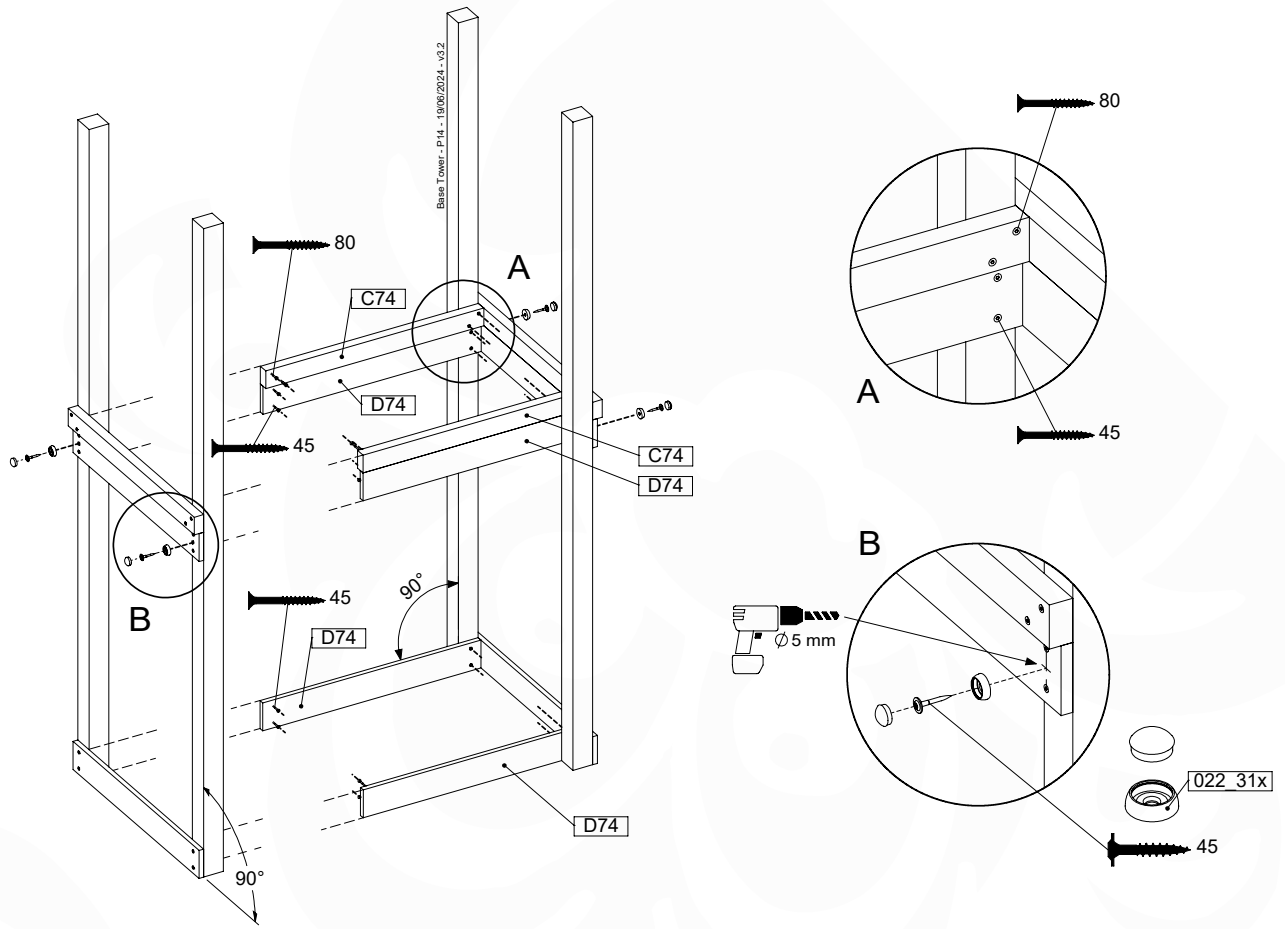
# 8 BT03a: Base Tower 80 125cm 220220

Assembly Pack: 194\_100

	PartNo	PartName	QTY.
Hardware + Parts	001_406	Stealth Screw 8x45	6
	002_220	Gap Point Screw T25 - 5x45	76
	002_223	Gap Point Screw T25 - 5x80	16
	007_001	Ground-anchor	2
	022_31x	bpc-base version 3	4
	022_84x	bpc cover	4
Timber	A220	Post 70x70 L2200	4
	C74	Beam 740 mm	4
	D60	Board 600 mm	10
	D74	Board 740 mm	8

Base Tower - P10 - BT03 - 19082024 - v3.2



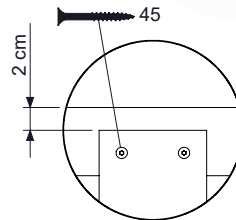
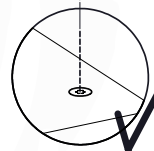
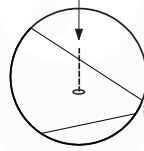
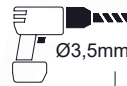
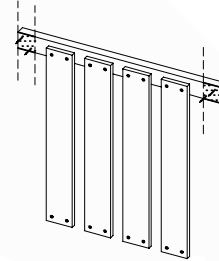


## 9 BL01a: Balustrade 80 U - 7x7 posts

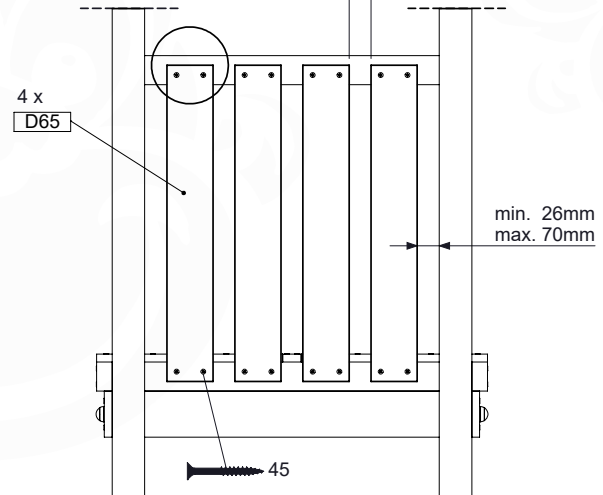
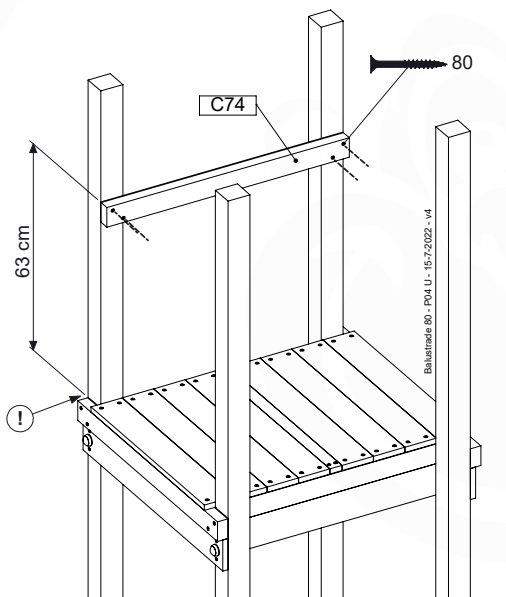
( 194\_101 )

	PartNo	PartName	QTY.
Hardware Pack	002_220	Gap Point Screw T25 - 5x45	16
	100_601	Gap Point Screw T25 - 5x80	4
Timber	C74	Beam 740 mm	1
	D65	Board 650 mm	4

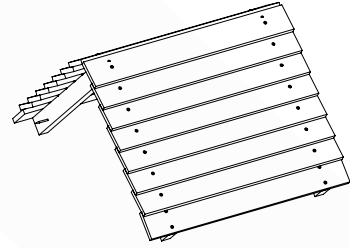
Balustrade 80 - P02 U - 15-7-2022 - v4



min. 26mm  
max. 70mm



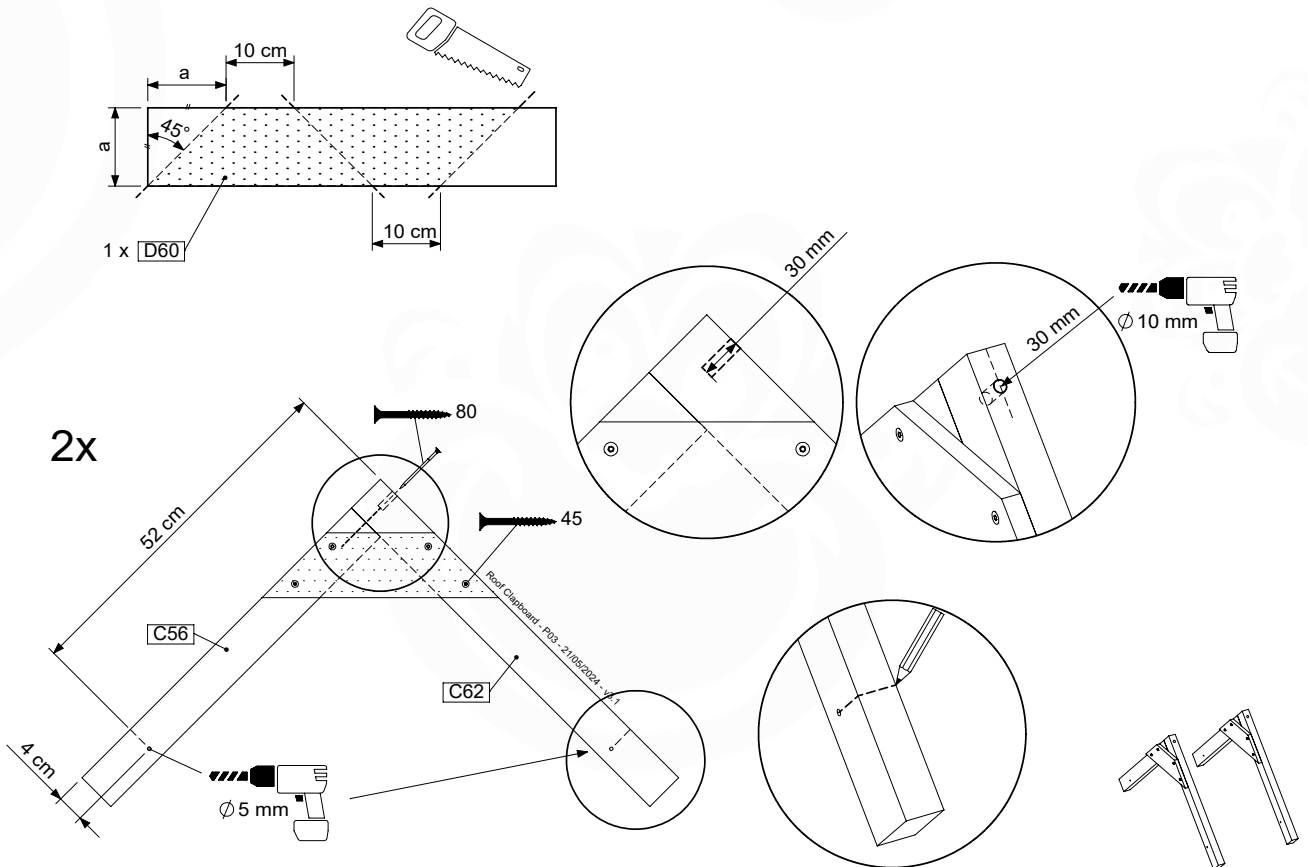
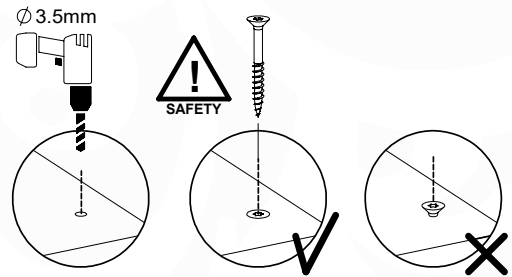
# 10 RF01a: Roof Timber Clapboard Gable 80



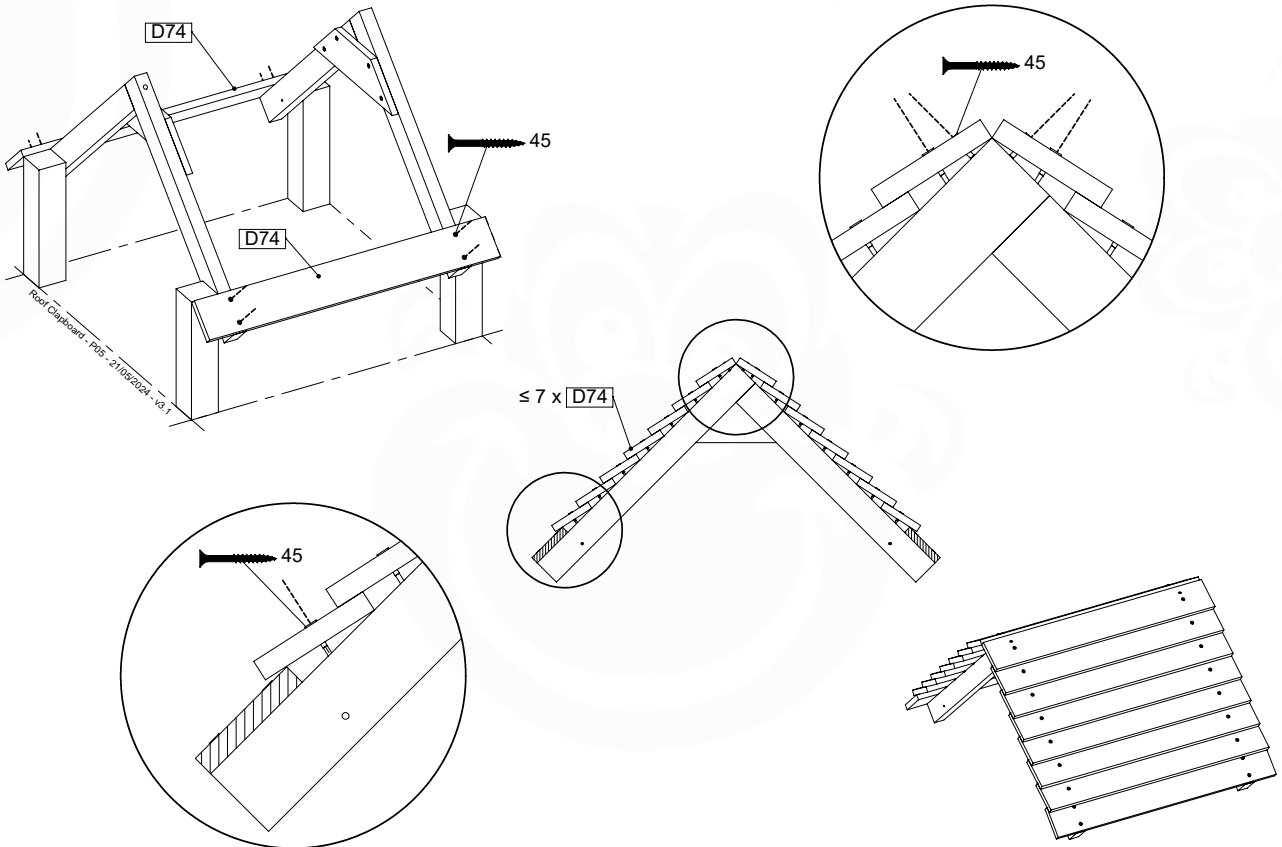
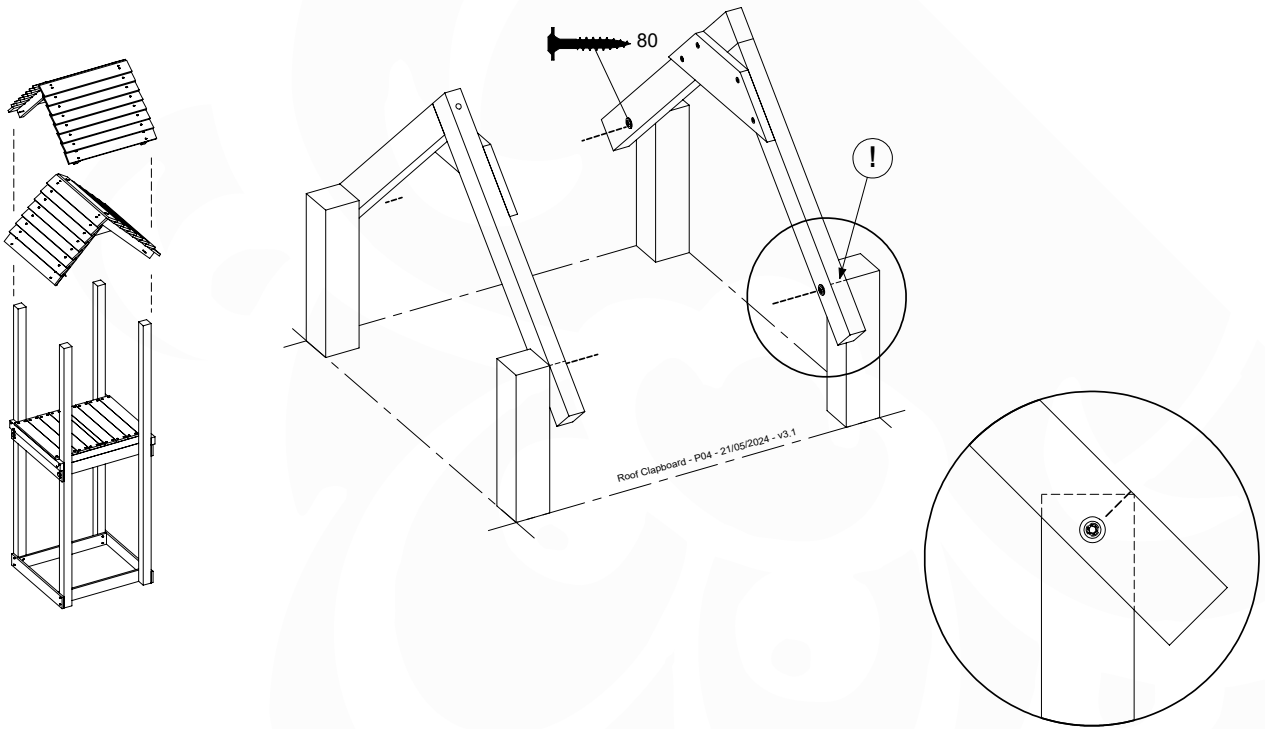
Assembly Pack: 194\_111

	PartNo	PartName	QTY.
Hardware Pack	001_417	Stealth Screw 8x80	4
	002_220	Gap Point Screw T25 - 5x45	48
	002_223	Gap Point Screw T25 - 5x80	2
Timber	C56	Beam 560 mm	2
	C62	Beam 620 mm	2
	D60	Board 600 mm	1
	D74	Board 740 mm	16

Roof Clapboard - R02 - 21/05/2024 - v3.1





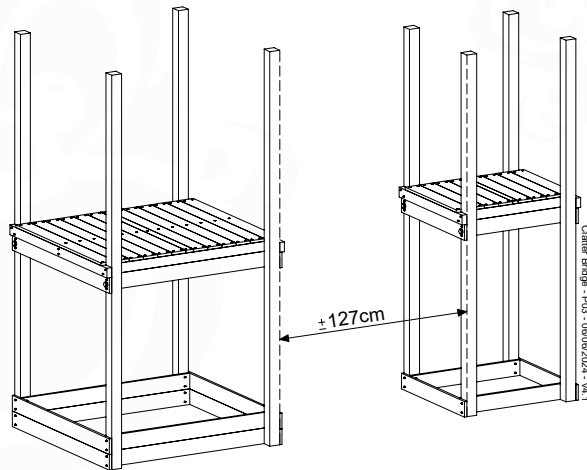
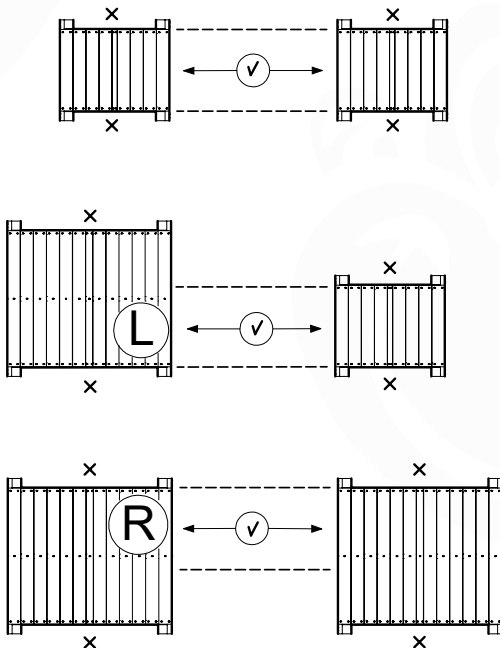
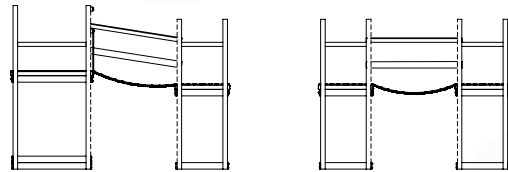
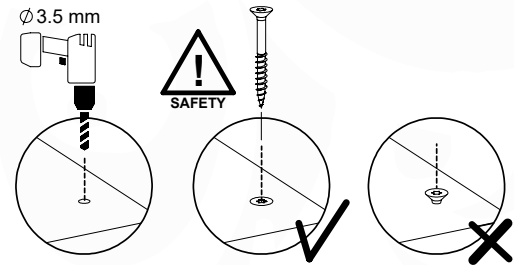
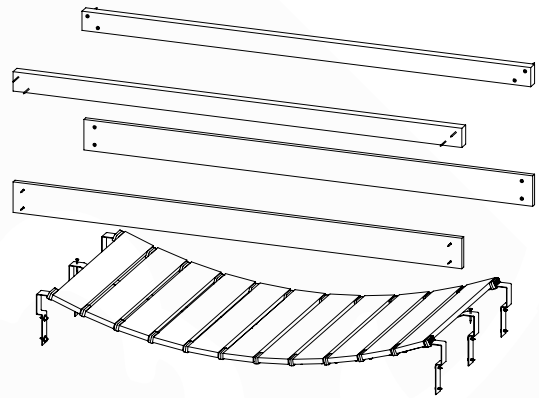


# 11 CB01a: Clatter Bridge - PART 1

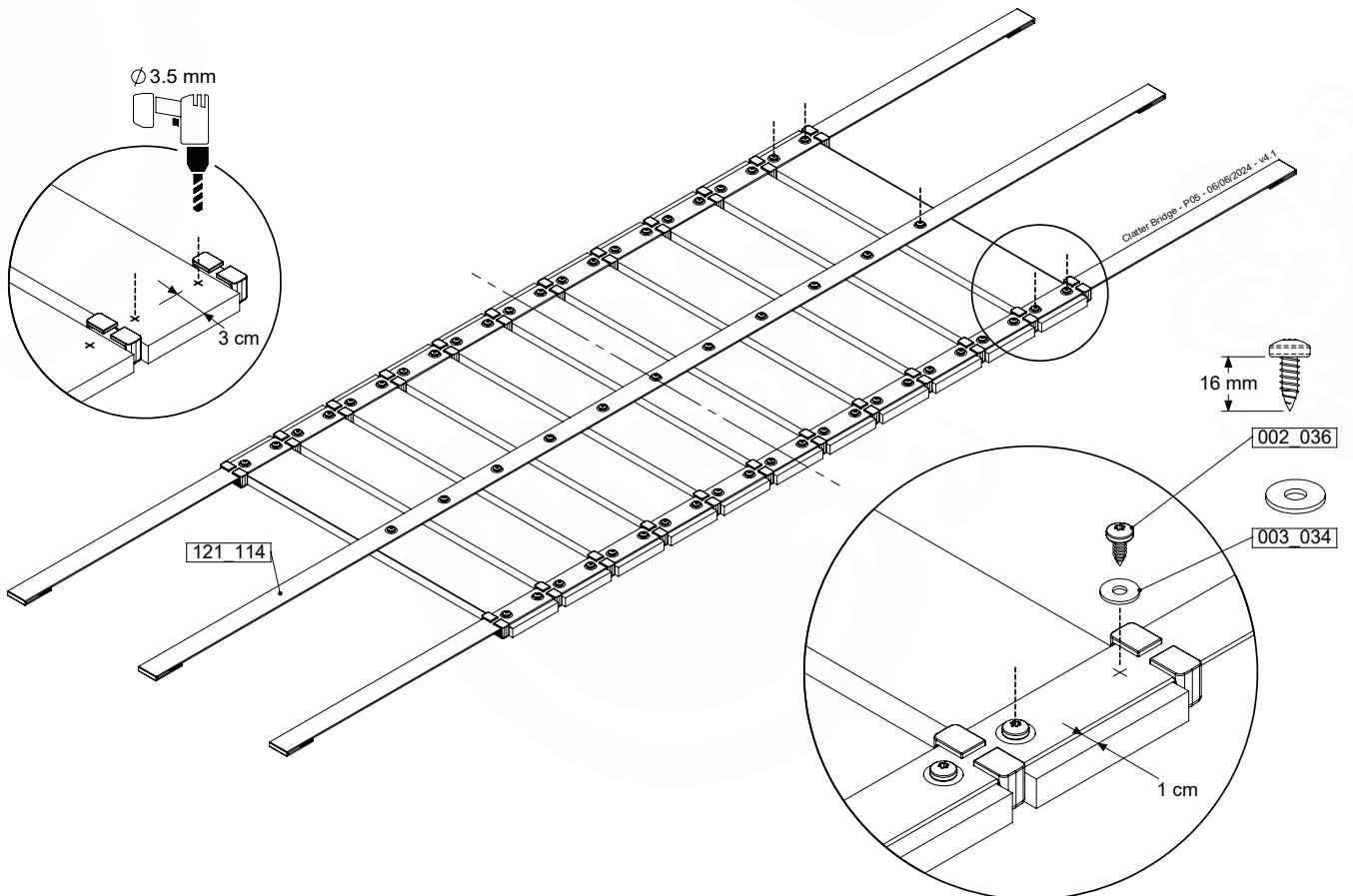
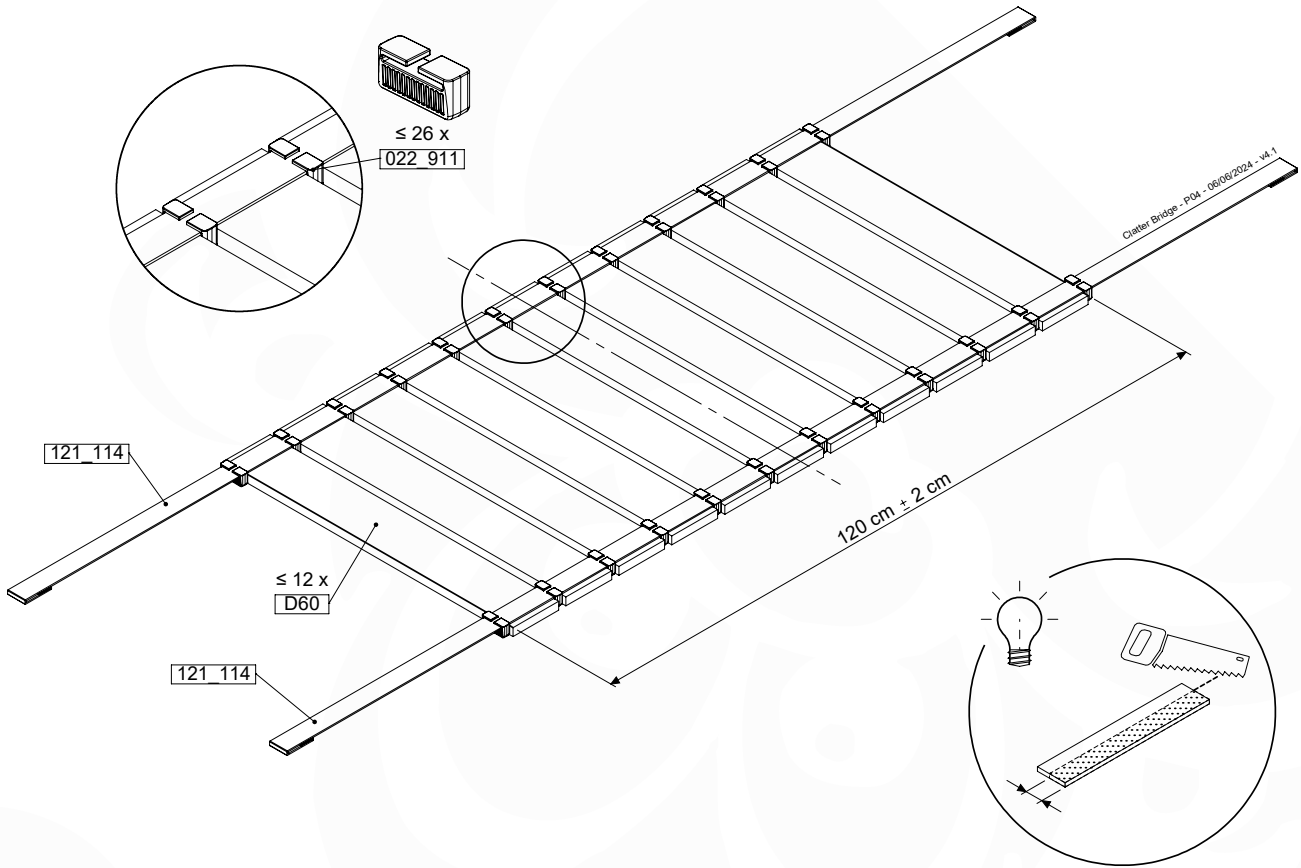
Assembly Pack: 194\_116

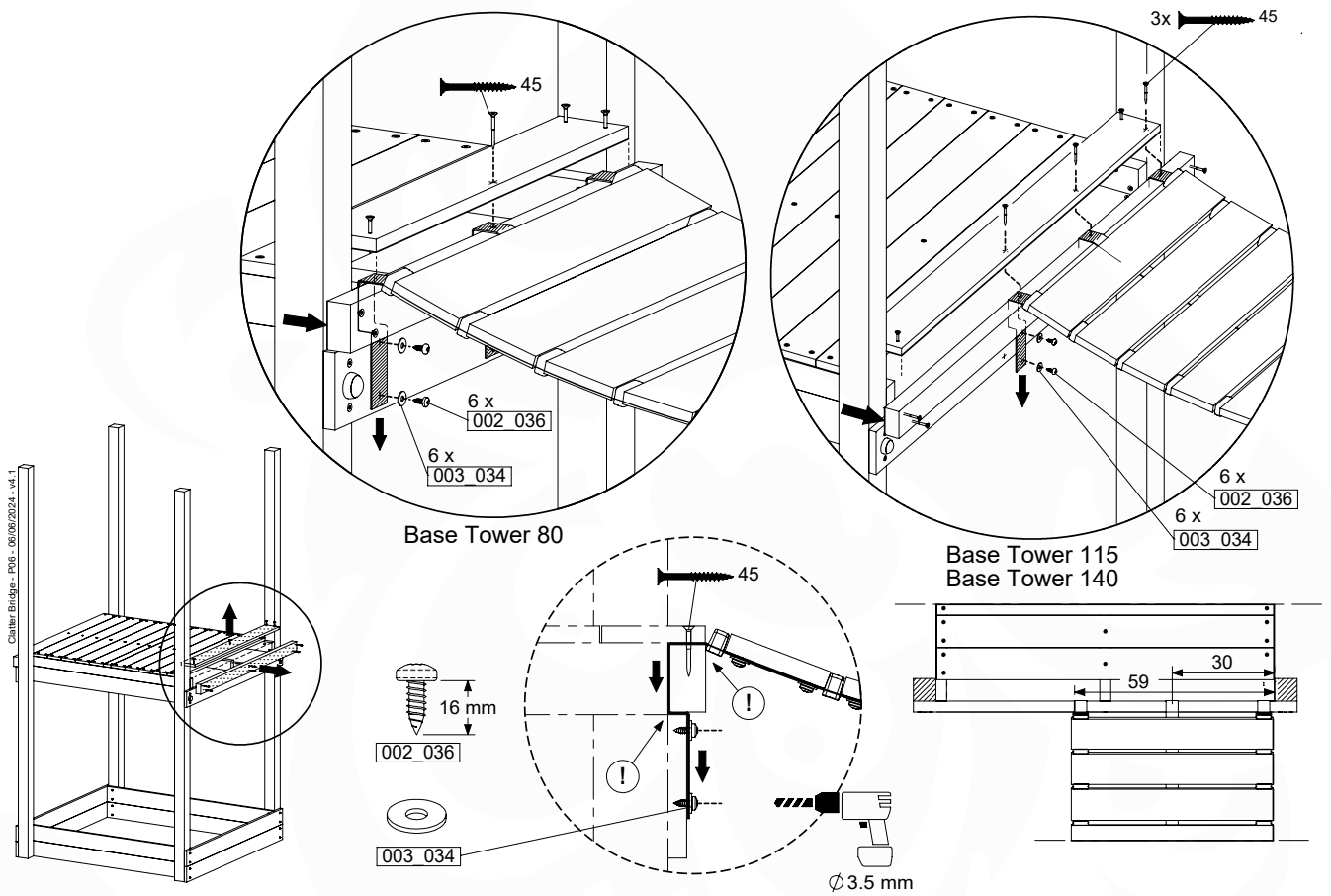
	PartNo	PartName	QTY.
Hardware + Parts	002_036	16mm Pan Head Tapping Screw T25	72
	002_220	Gap Point Screw T25 - 5x45	10
	002_223	Gap Point Screw T25 - 5x80	12
	003_034	M6 Washer	72
	022_911	Bridge Spacer	26
	121_114	BridgeLink Strap 210cm	3
Timber	C141	Beam 1410 mm	2
	D60	Board 600 mm	12
	D141	Board 1410 mm	2

Clatter Bridge - P02 - 08/06/2024 - v4.1



# 11.1



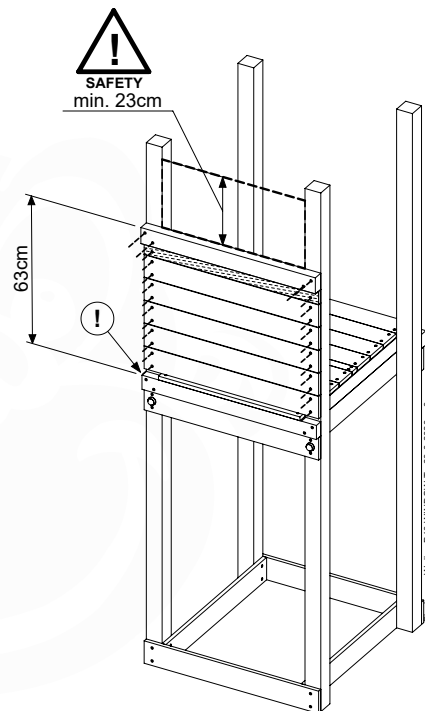
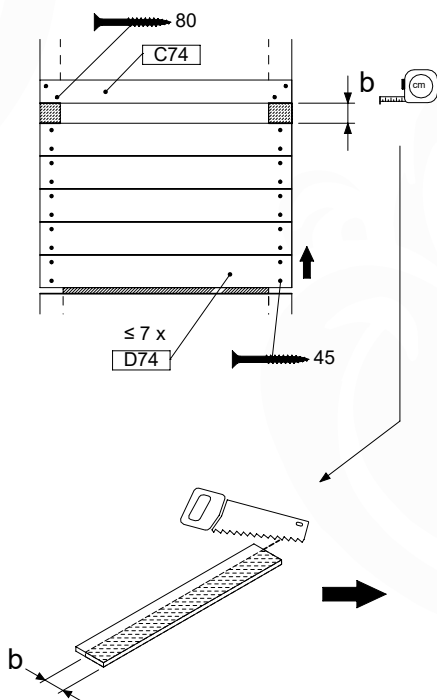
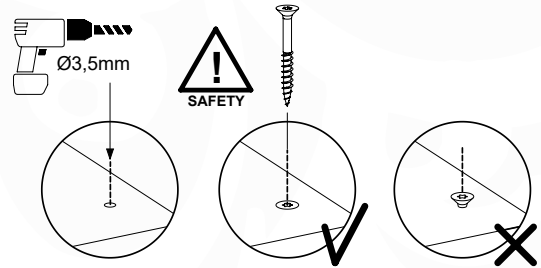
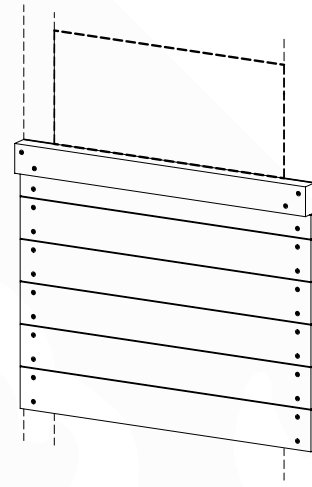


# 12 PH06a: Playhouse Window Panel 80 T

( 194\_501 )

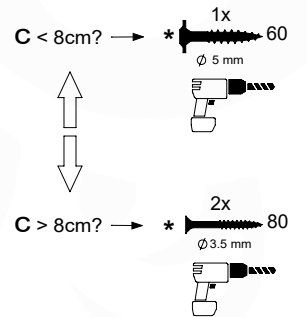
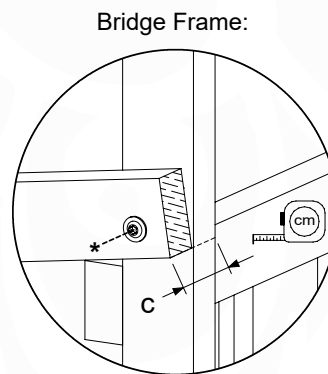
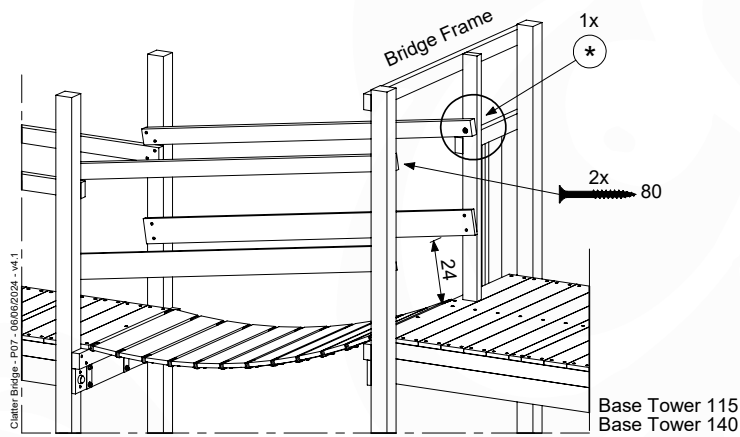
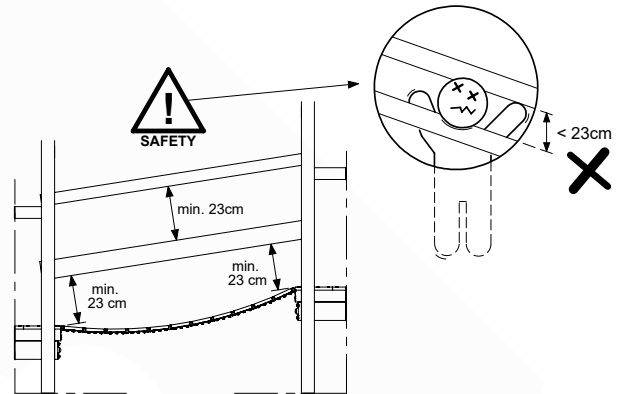
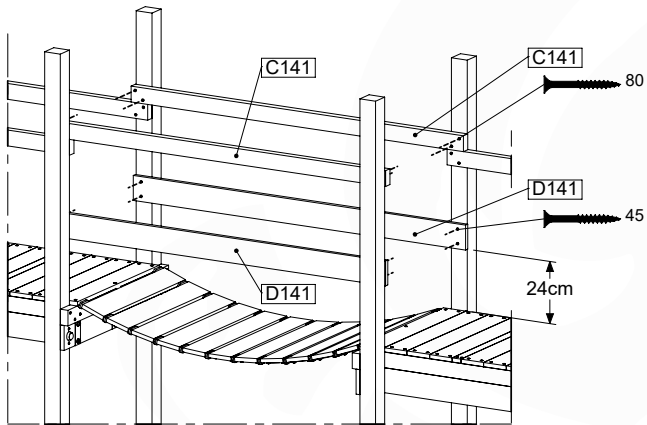
	PartNo	PartName	QTY.
	002_220	Gap Point Screw T25 - 5x45	28
	002_223	Gap Point Screw T25 - 5x80	4
	C74	Beam 740 mm	1
	D74	Board 740 mm	7

Playhouse Walls - P16 WINDOW T - 28-3-2023 - v3



Playhouse Walls - P16 WINDOW T - 28-3-2023 - v3

# 13 CB01a: Clatter Bridge - PART 2

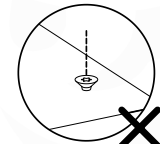
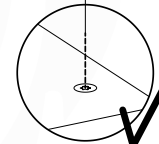
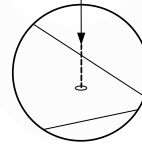
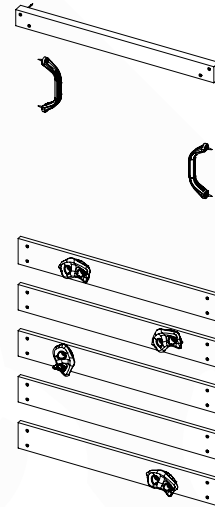


# 14 RW02a: Rock wall 80 125 T

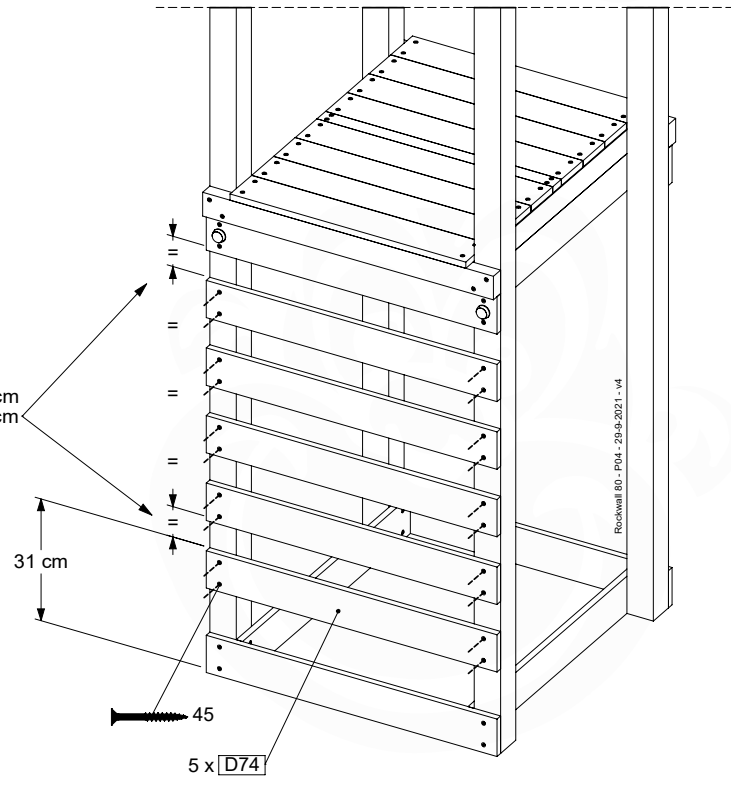
( 194\_105 )

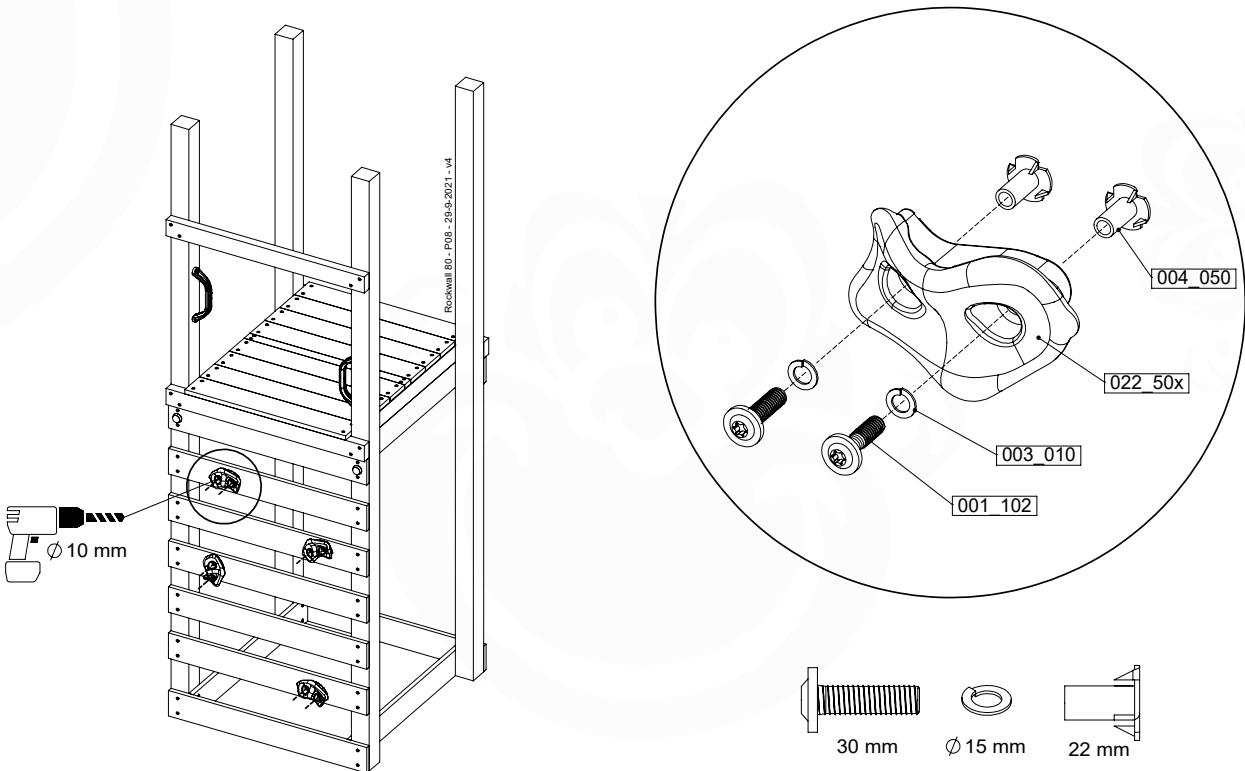
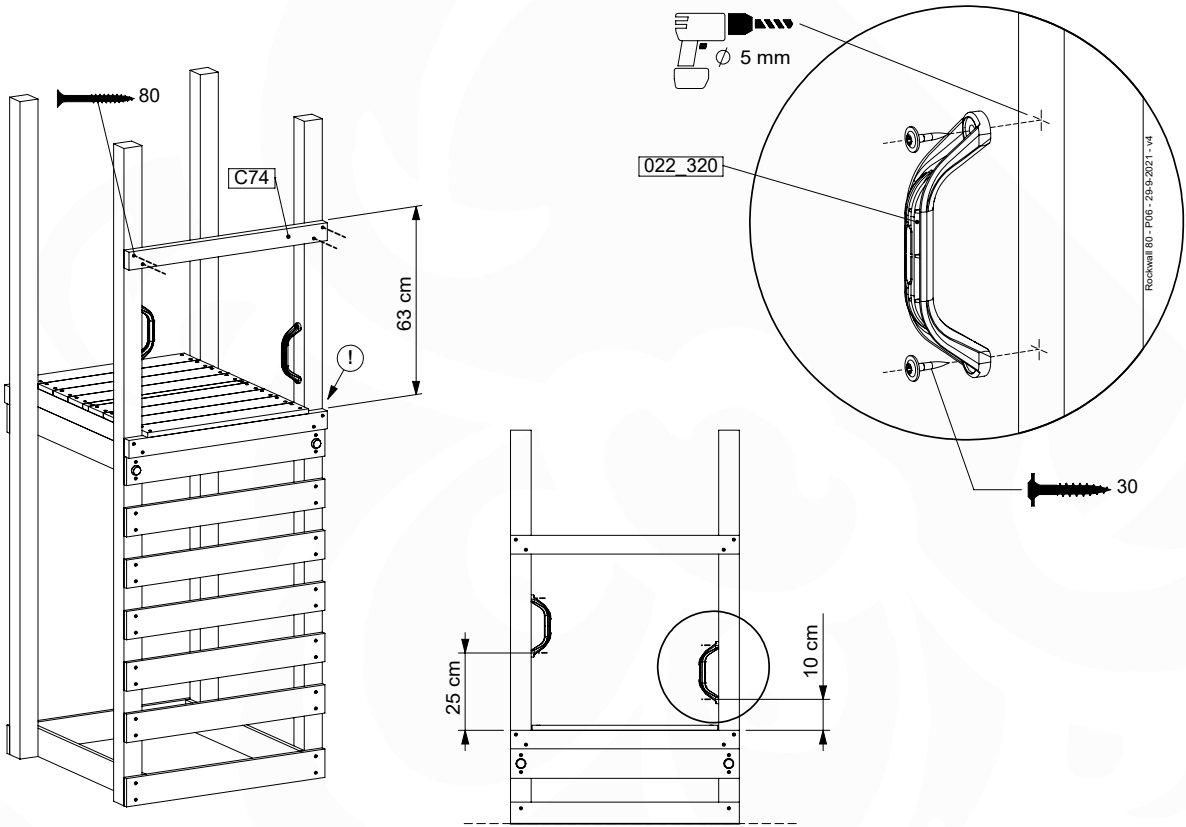
	PartNo	PartName	QTY.
Hardware pack 100_604	001_102	Washer Head Screw T40 M8x30	8
	002_220	Gap Point Screw T25 - 5x45	24
	002_223	Gap Point Screw T25 - 5x80	4
	003_010	M8 spring lock washer	8
	004_050	M8 22mm Drive in Nut	8
Other	022_50x	Climbing Rock	4
	120_102	Handgrip set (2x Complete)	1
Timber	C74	Beam 740 mm	1
	D74	Board 740 mm	5

Rockwall 80 - PD2 - 29-9-2021 - v4



min. 2,6 cm  
max. 8,8 cm





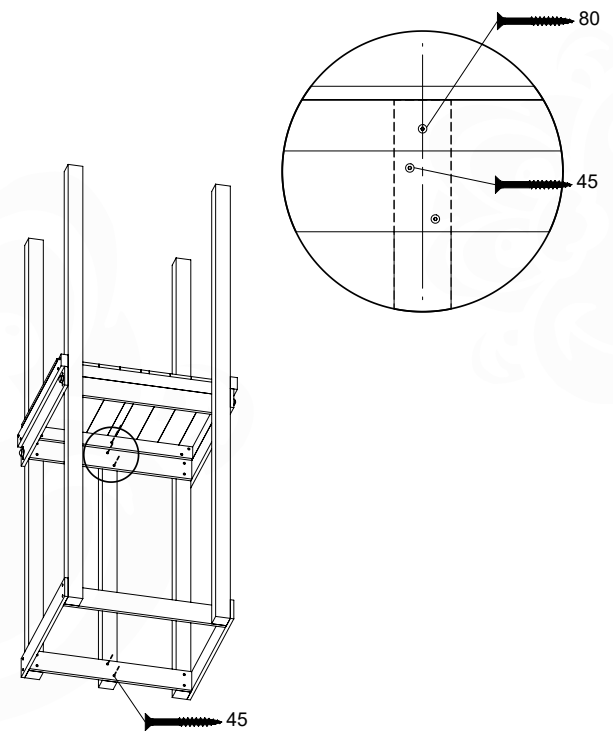
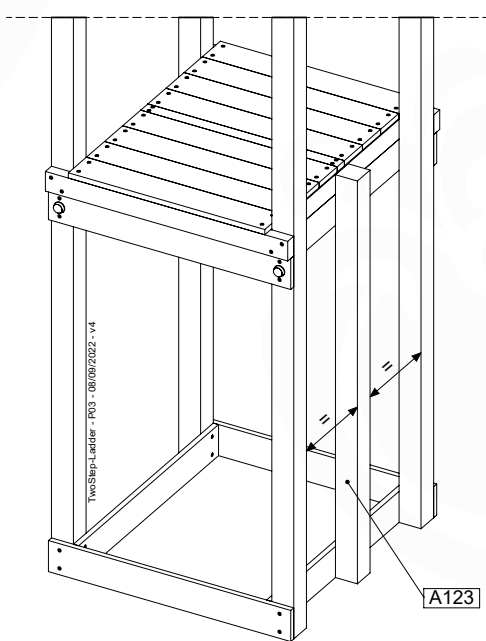
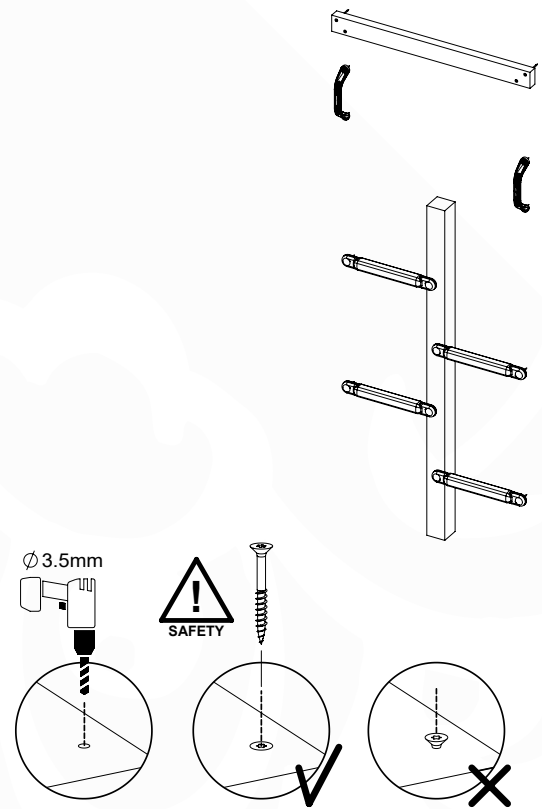


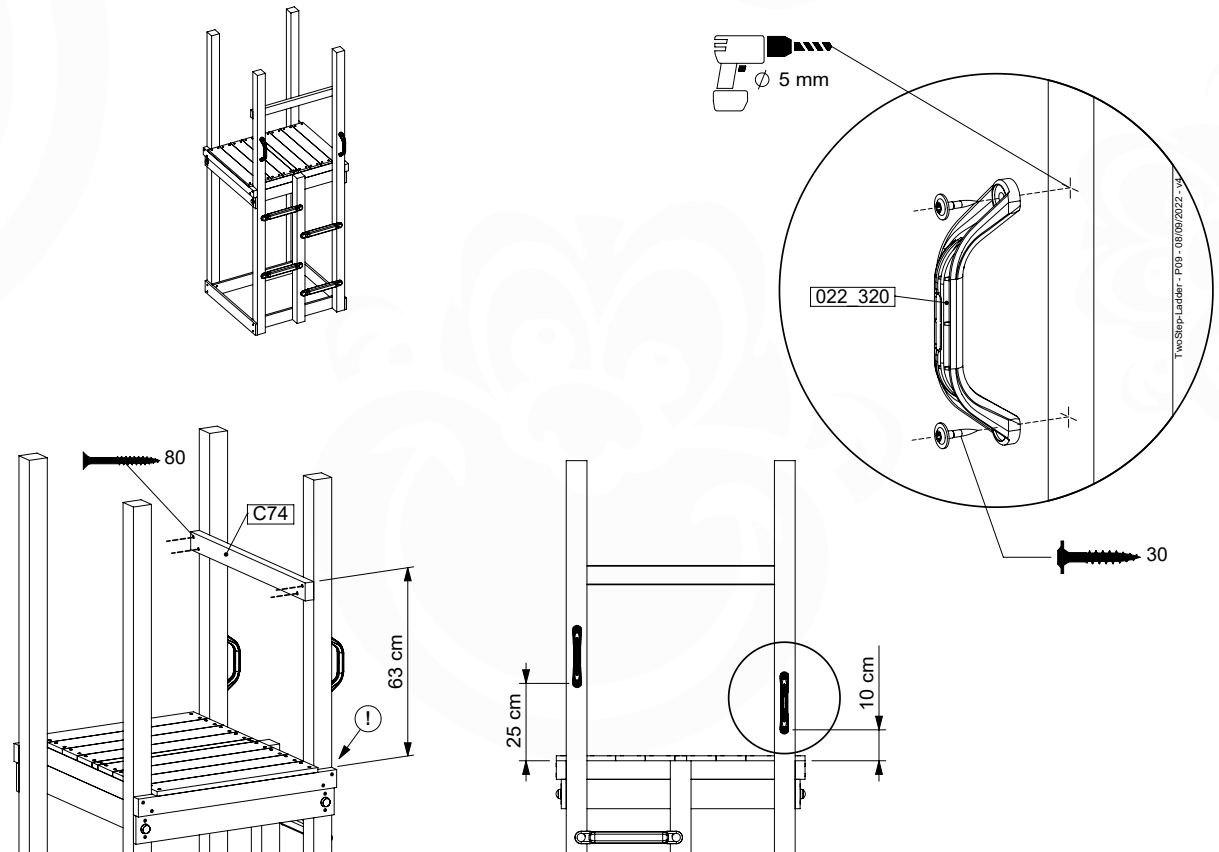
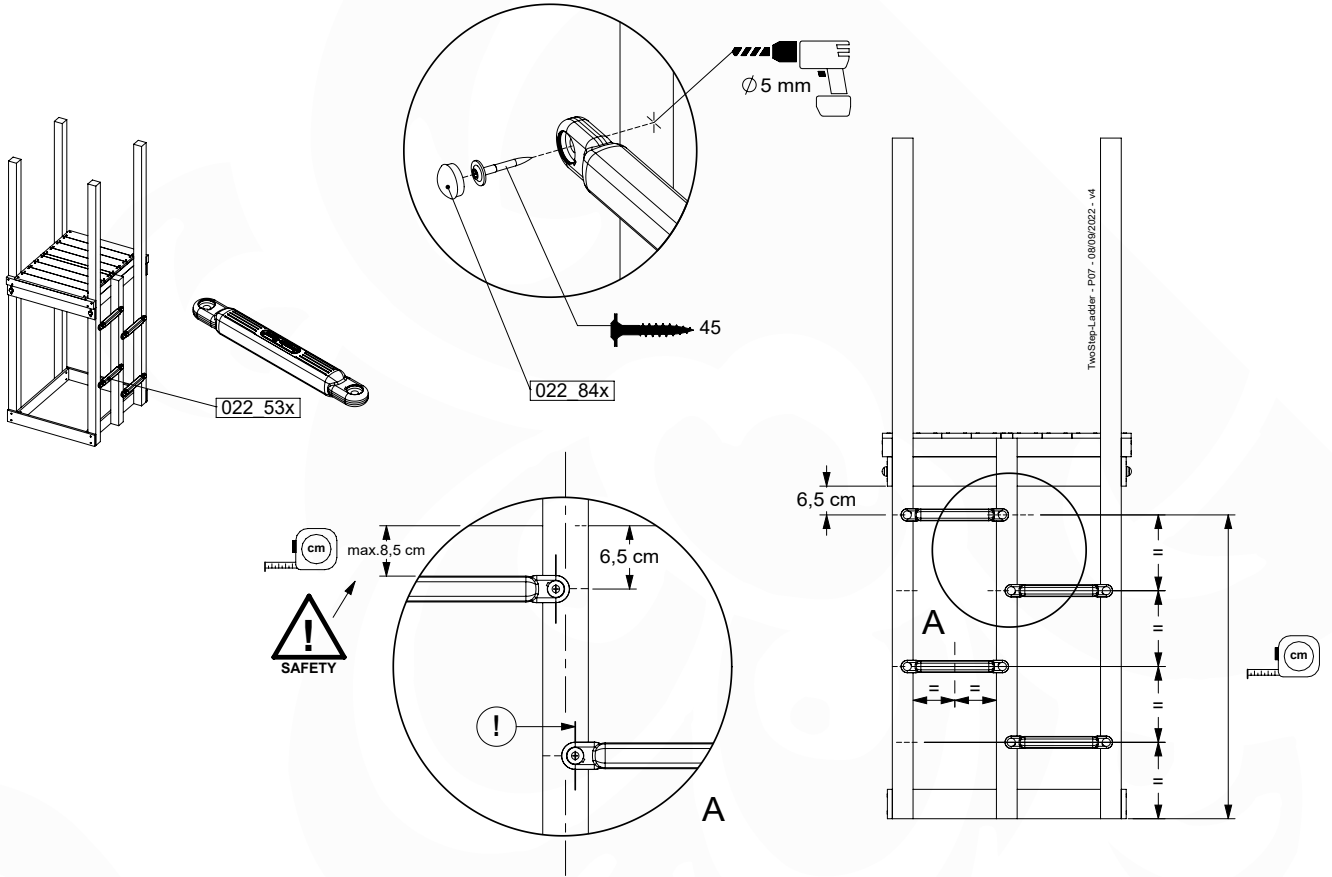
# 15 TS01a: Two Step 80 125 U

( 194\_102 / 194\_002 )

	PartNo	PartName	QTY.
Hardware Pack 100_602 /100_902	001_406	Stealth Screw 8x45	8
	002_220	Gap Point Screw T25 - 5x45	4
	002_223	Gap Point Screw T25 - 5x80	5
Other	022_53x	Ladder/ Rope Rung 30cm	4
	022_84x	bpc cover	8
	120_102	Handgrip set (2x Complete)	1
Timber	A123	Post 70x70 L1230	1
	C74	Beam 740 mm	1

TwoStep-Ladder - P102 - 08/09/2022 - v4



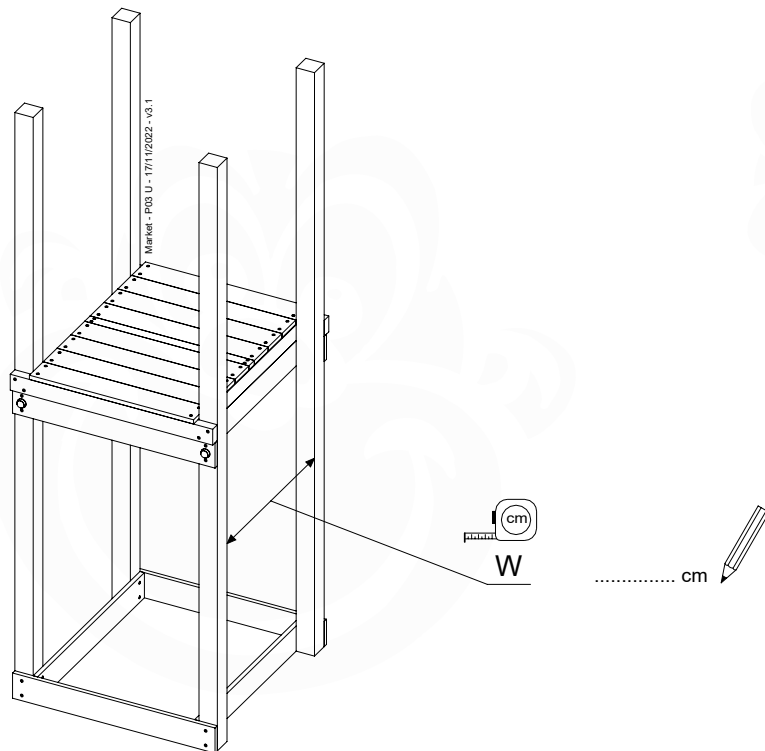
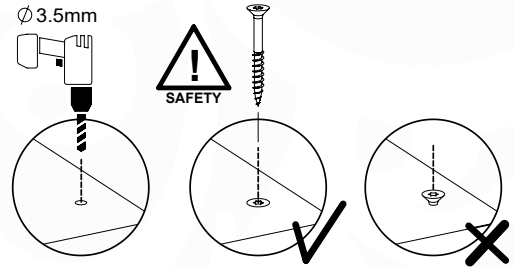
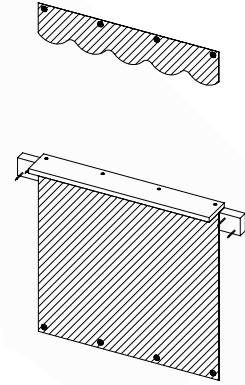


# 16 MT01a: Market 80 U

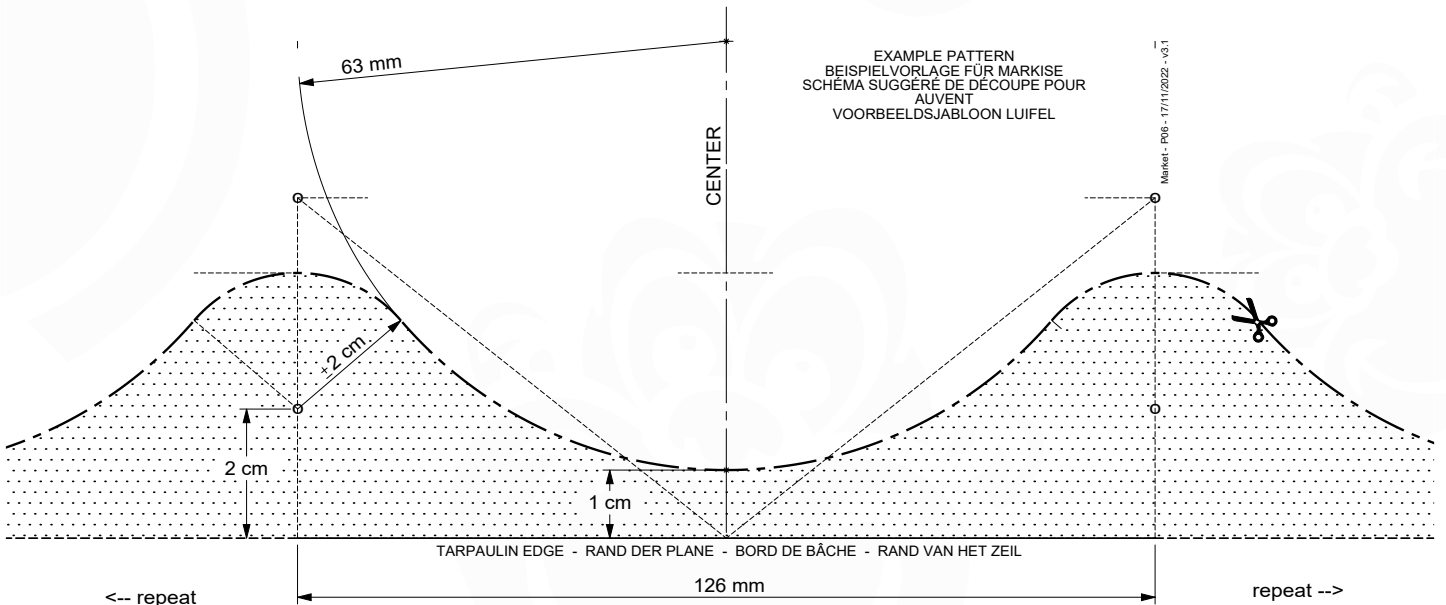
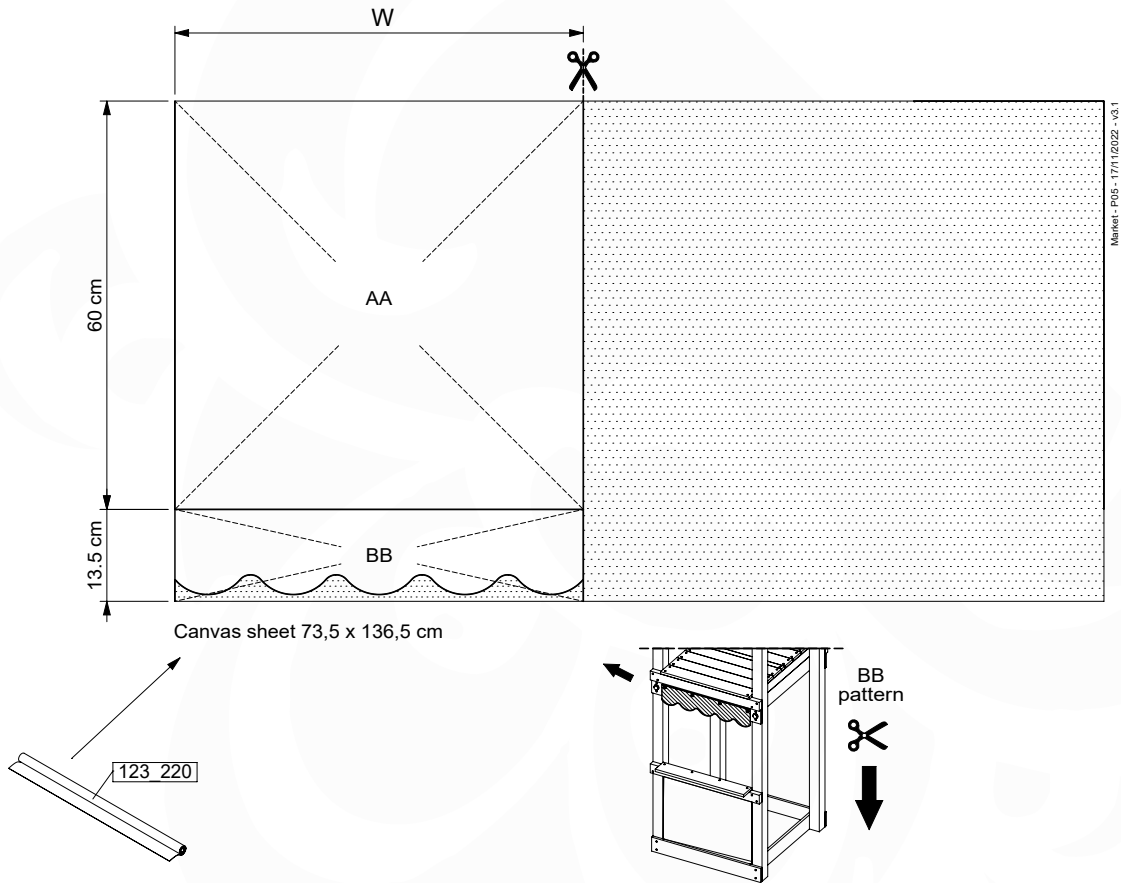
( 194\_113 )

	PartNo	PartName	QTY.
Hardware Pack 100_611	002_220	Gap Point Screw T25 - 5x45	4
	002_223	Gap Point Screw T25 - 5x80	4
	002_308	Gap Point Screw T25 - 5x20	8
	023_031	Finishing Washer GPS 5.0	8
Other	123_220	Canvas sheet 735x1365	1
Wood	C74	Beam 740 mm	1
	D60	Board 600 mm	1

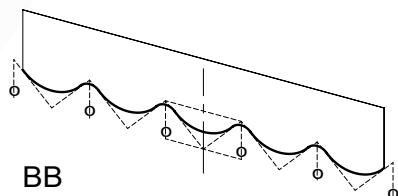
Market - P14U - 17/11/2022 - v3.1

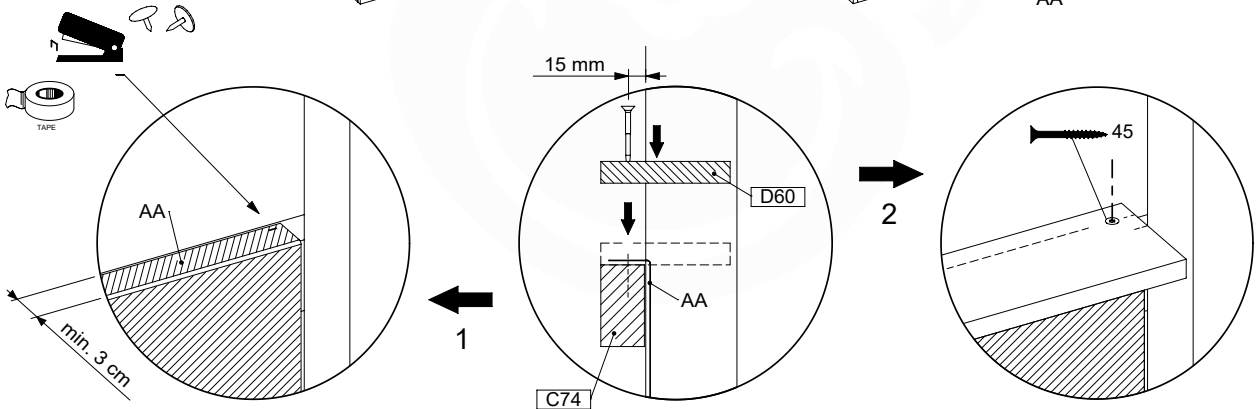
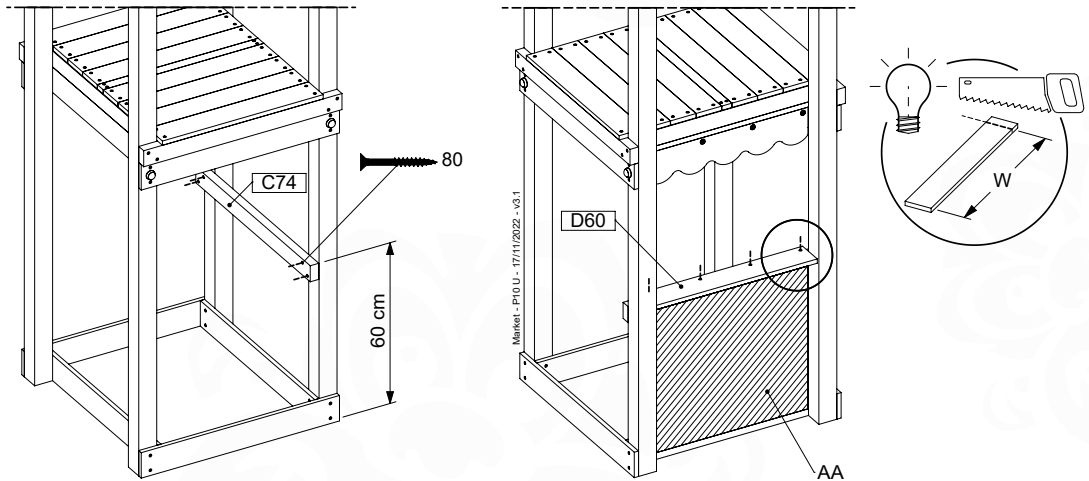
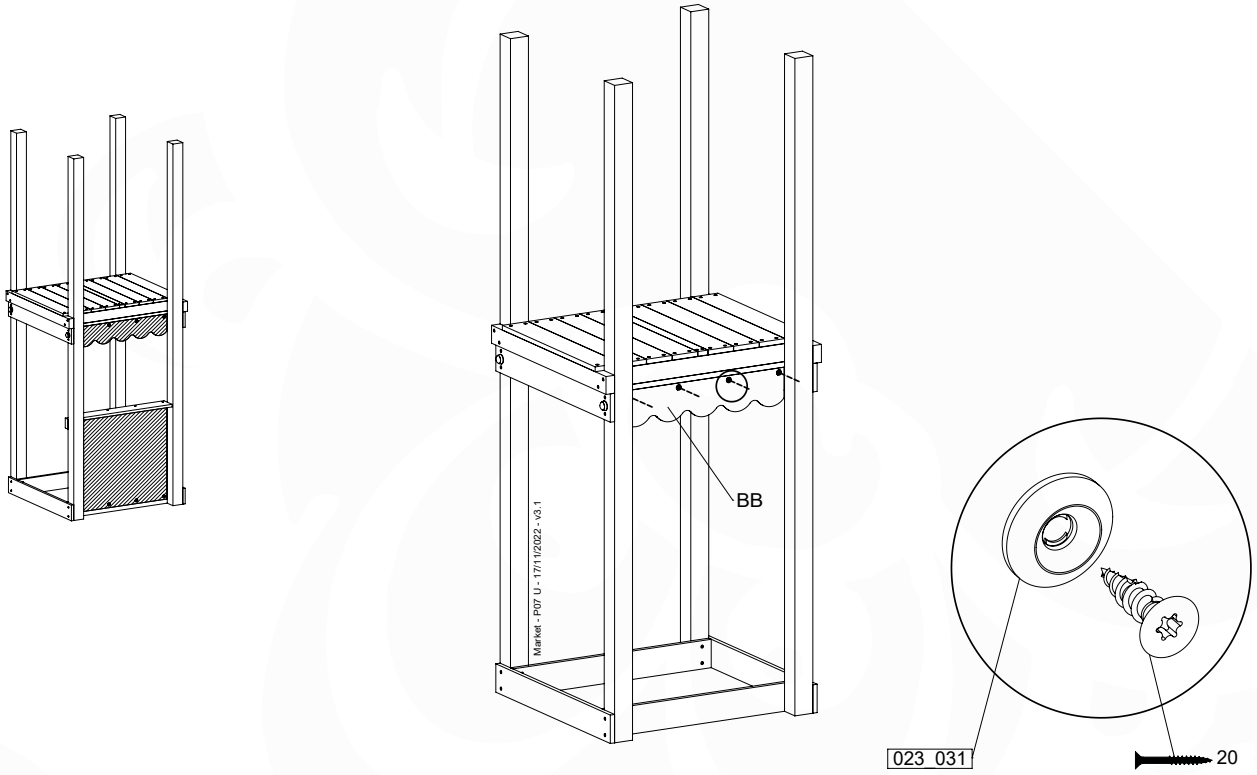


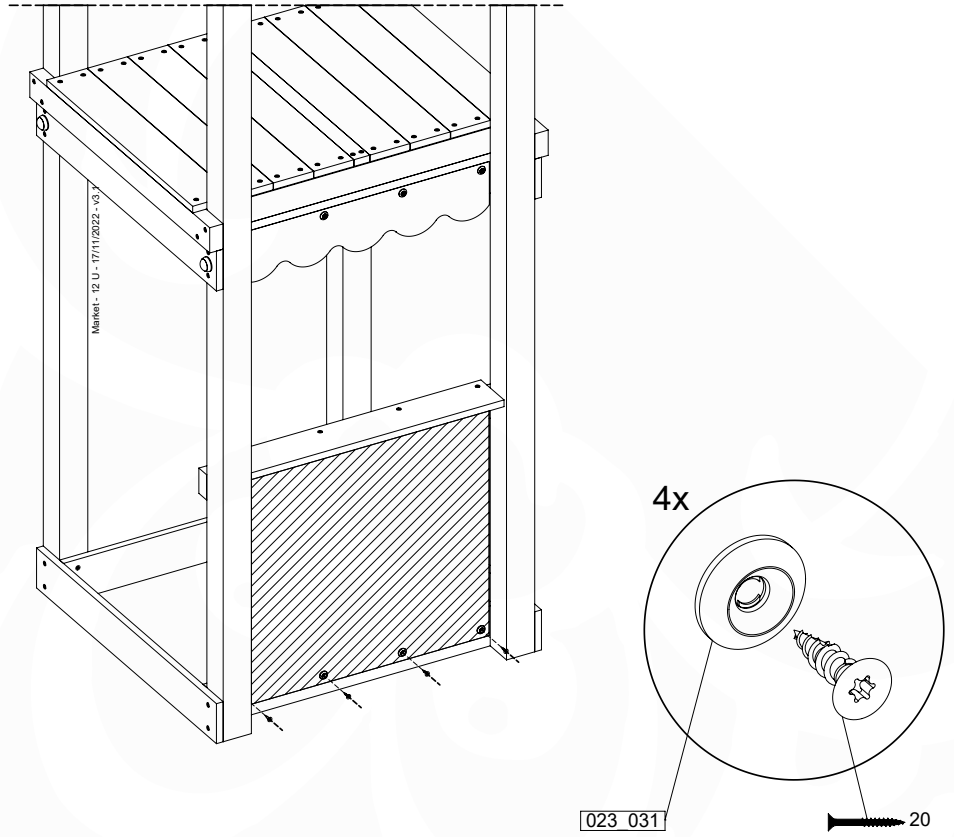
16.1



! Scale of print may not be accurate.  
Druckformat kann abweichen.  
Les tailles imprimées peuvent varier.  
Printformaat kan afwijken.





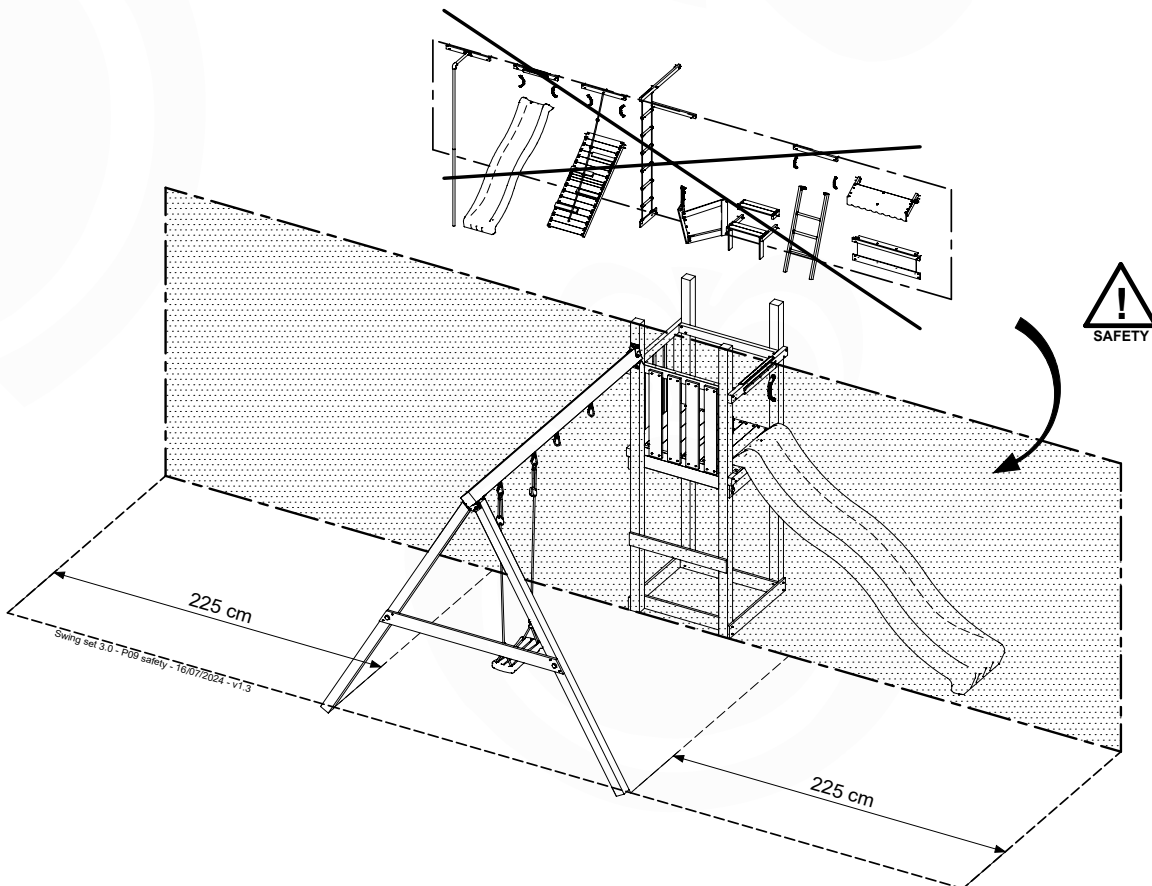
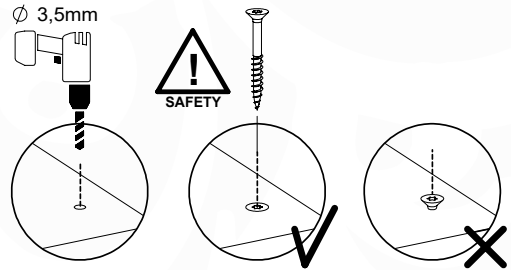
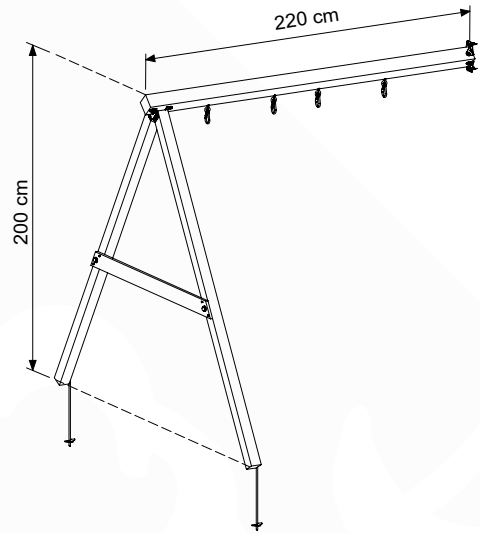


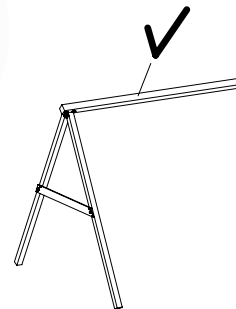
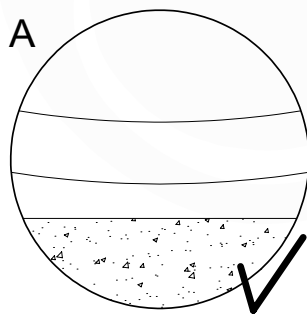
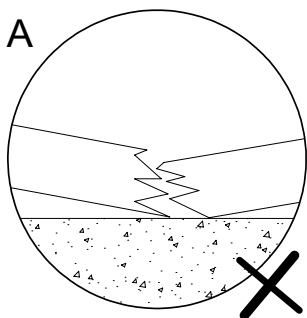
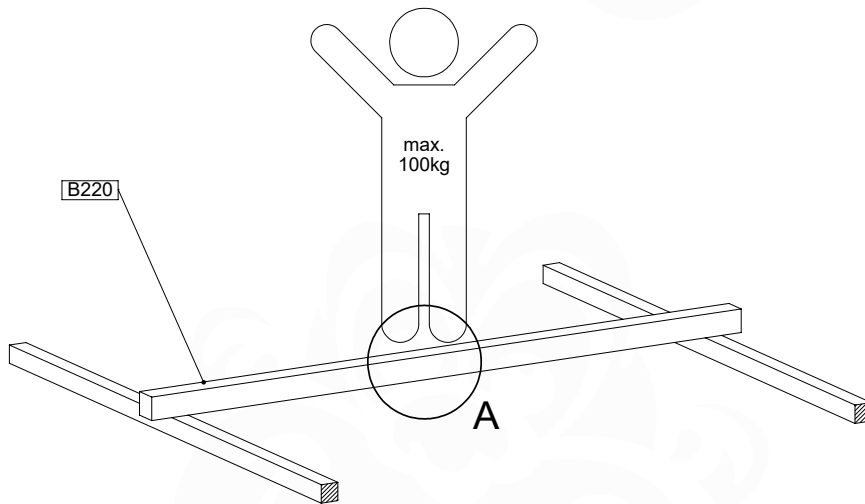
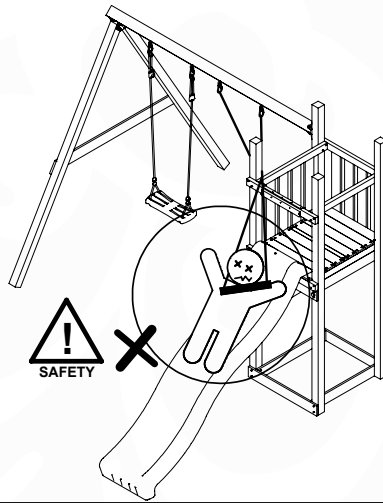
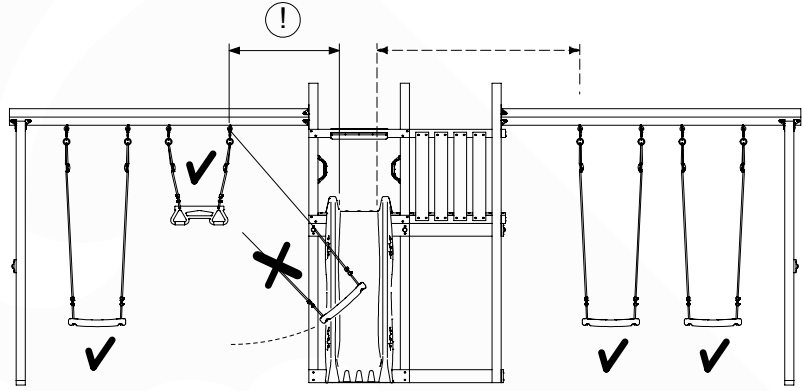
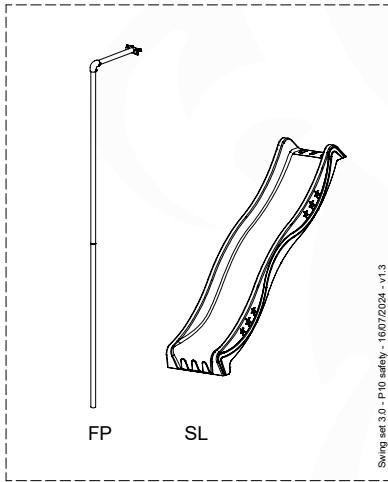
# 17 SW06a: 2- Swing Module 200 - 3.0

Assembly Kit: 457\_103

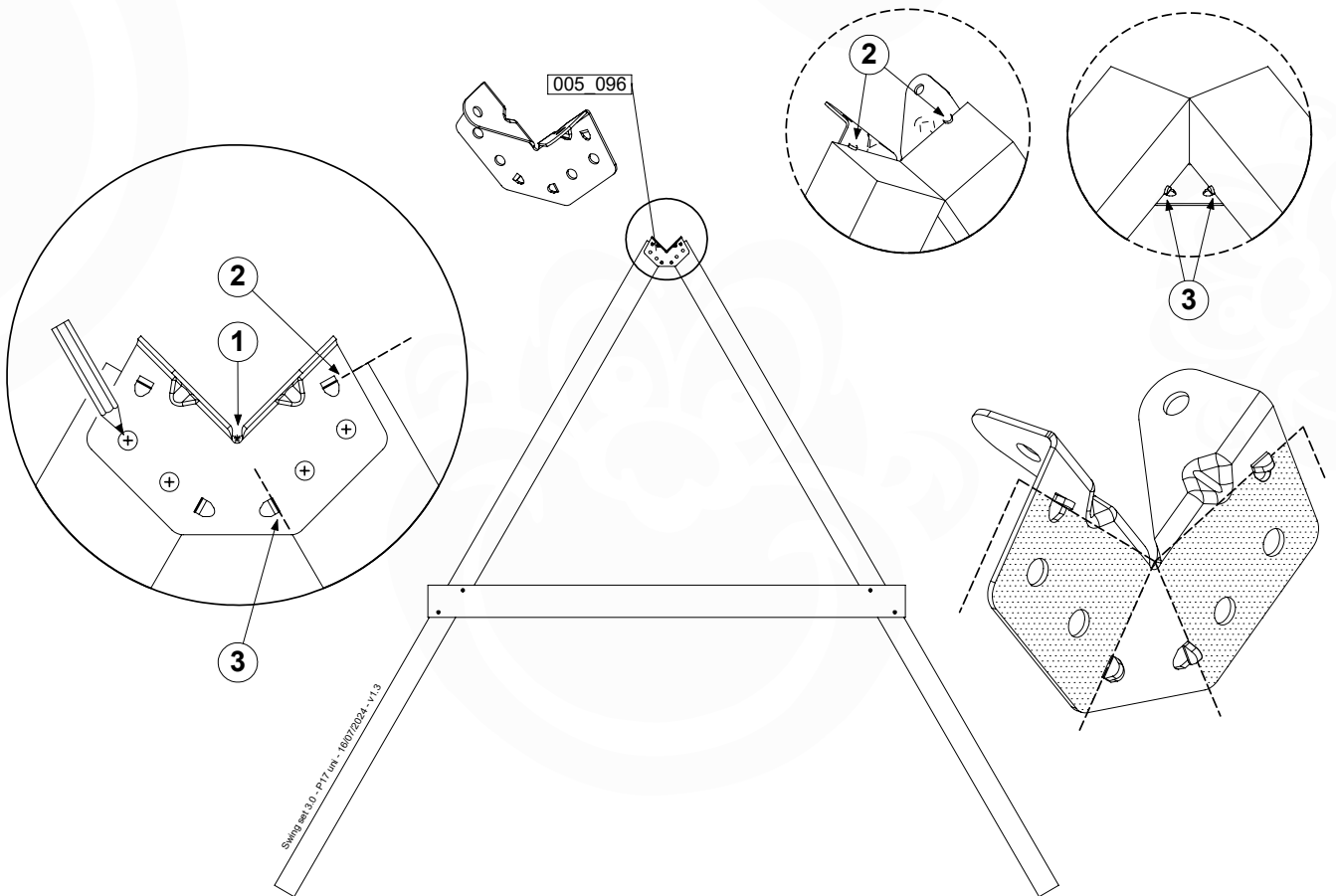
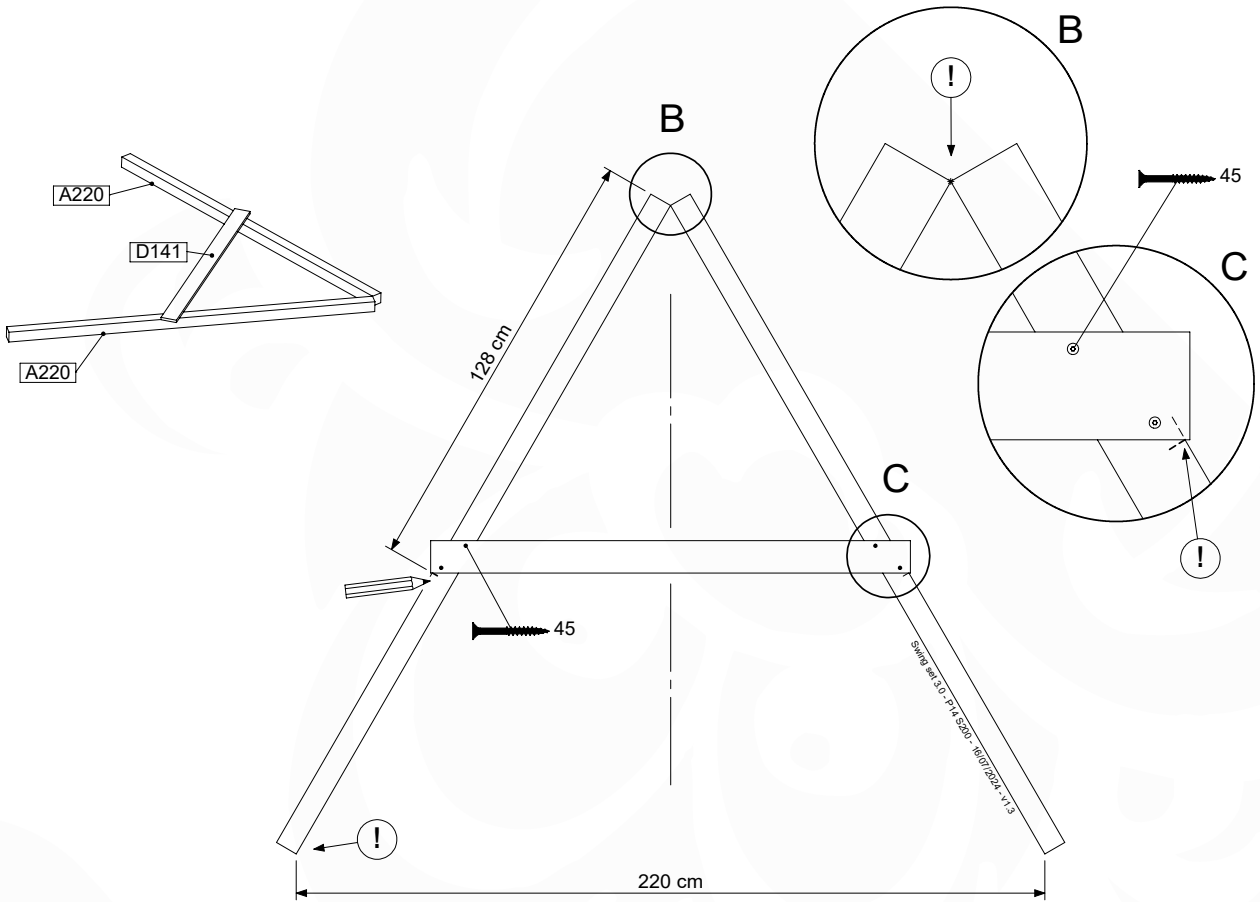
	PartNo	PartName	QTY.
Hardware + Parts	001_404	Stealth Screw 8x30	4
	001_406	Stealth Screw 8x45	22
	001_411	Stealth Screw 8x60	2
	001_417	Stealth Screw 8x80	2
	002_220	Gap Point Screw T25 - 5x45	8
	002_223	Gap Point Screw T25 - 5x80	2
	022_31x	bpc-base version 3	2
	022_84x	bpc cover	2
	023_042	Nylon washer 9x19x1.5	20
	005_096	A-Frame V-Connector	2
	005_097	Swing V-Connector	2
	007_001	Ground-anchor	2
Timber	101_003	Swing hook with Carabiner	4
	A220	Post ca.70x70 L2200	2
	B220	Post ca.90x90 L2200	1
	D141	Board 1410 mm	2

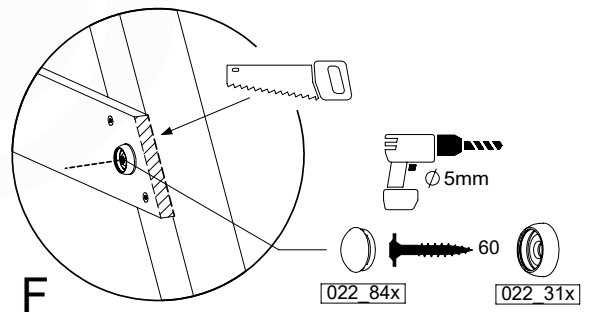
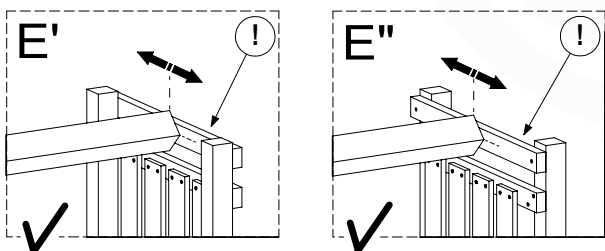
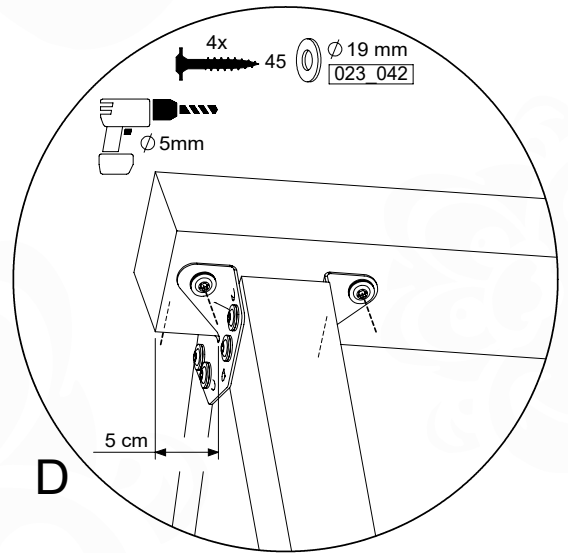
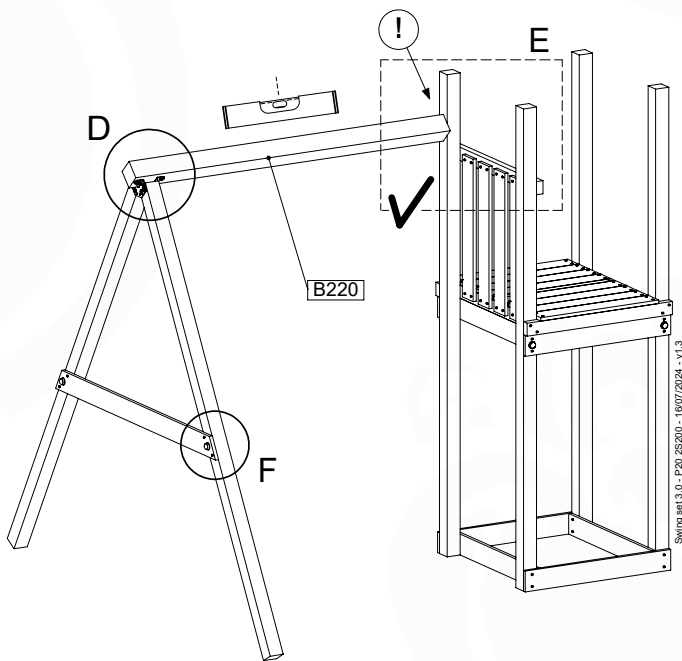
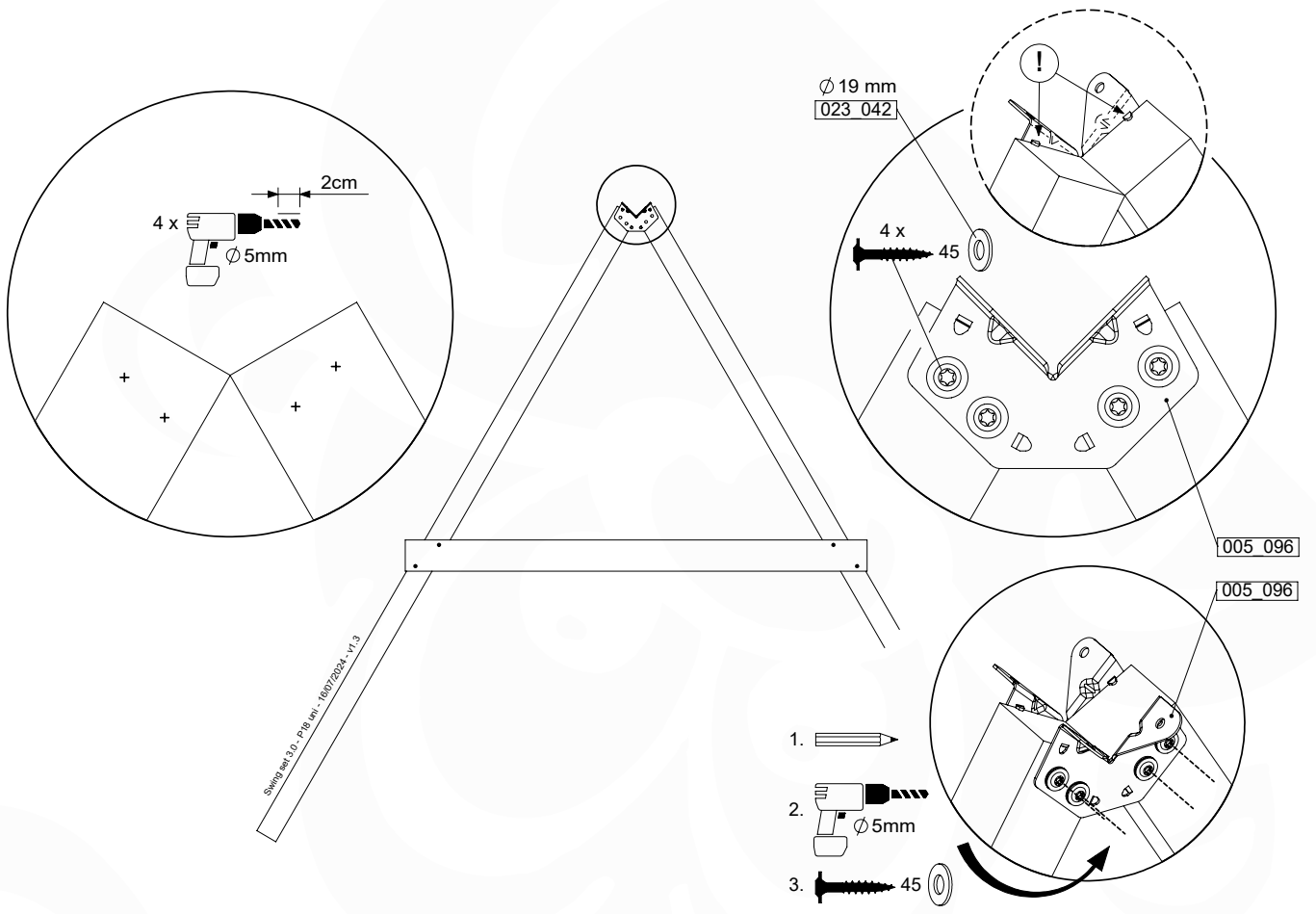
Swing set 3.0 - P04 25200 - 16/07/2024 - v1.3



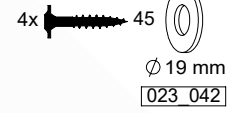
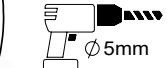
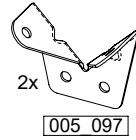
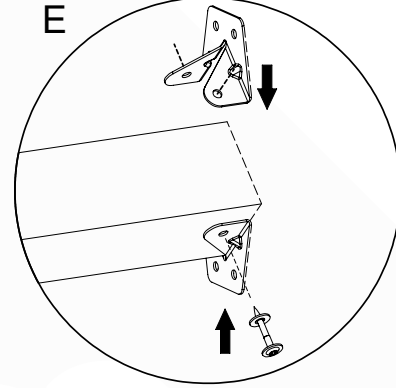
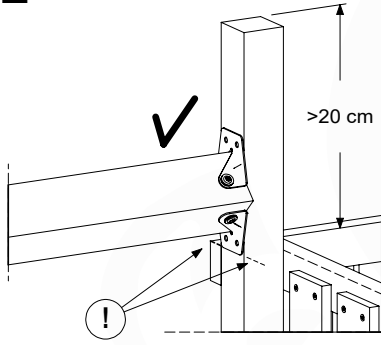






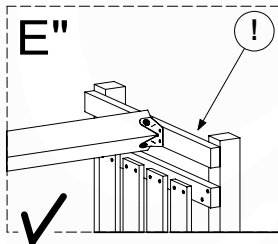
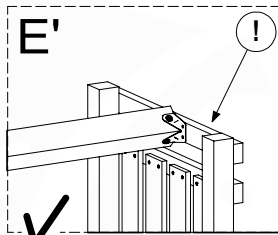
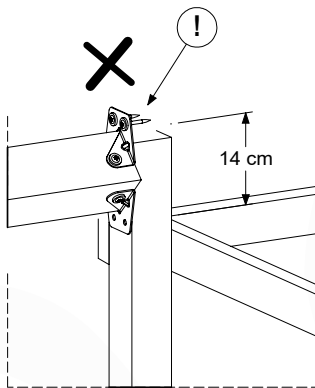


E

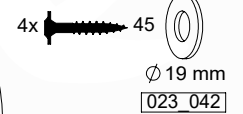
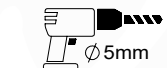
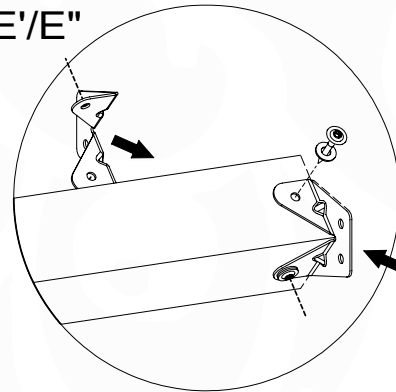


Swing set 3.0 - P22 uni - 16/07/2024 - v1.3

E'/E''

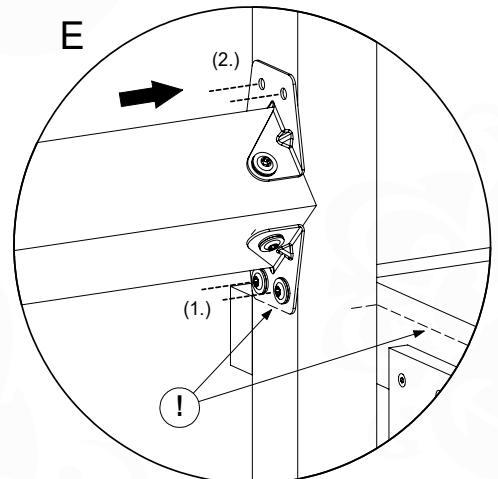
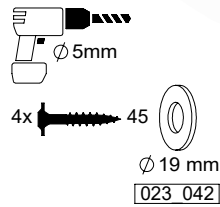
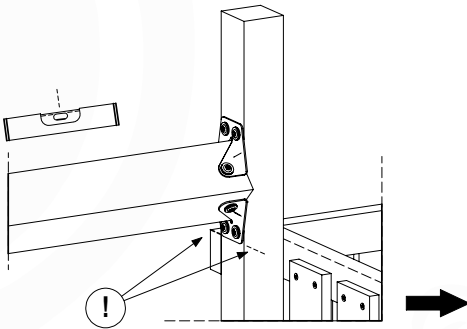


E'/E''



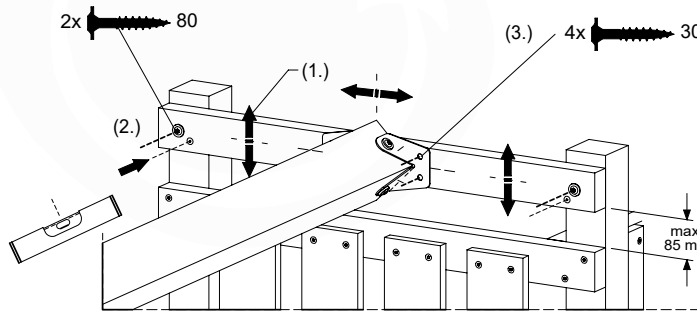
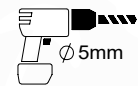
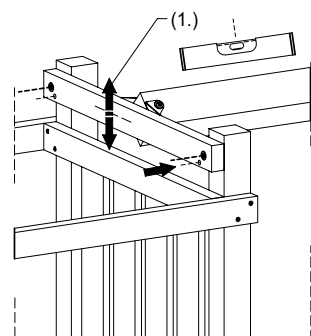
005 097

E

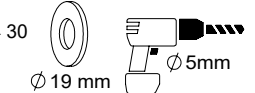
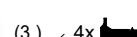


Swing set 3.0 - P23 uni - 16/07/2024 - v1.3

E'/E''



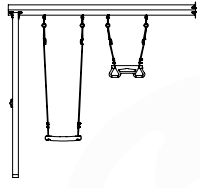
023 042



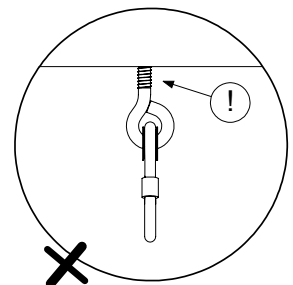
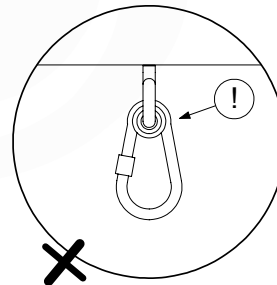
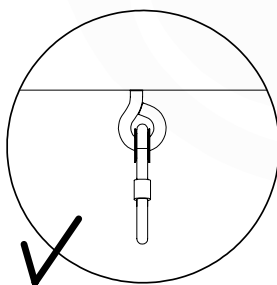
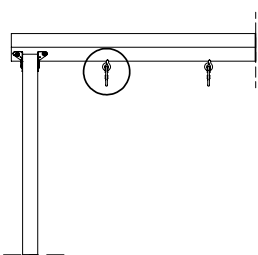
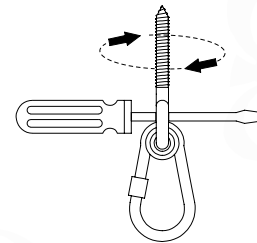
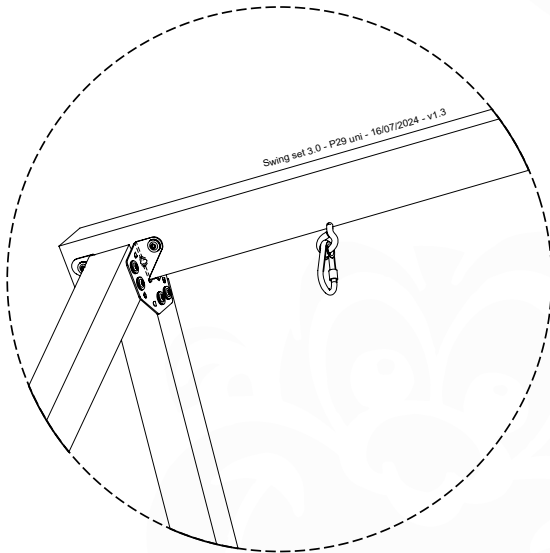
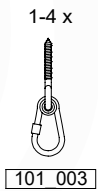
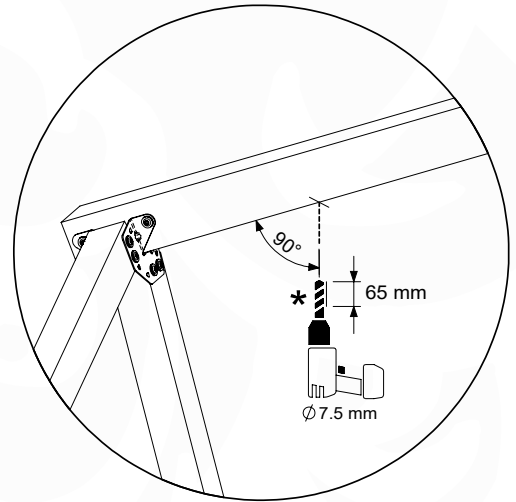
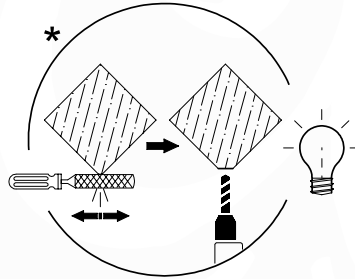
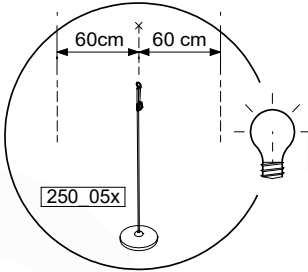
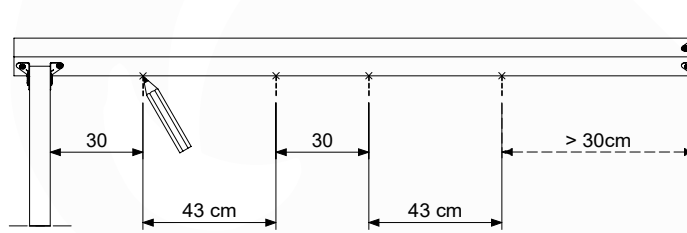
E'

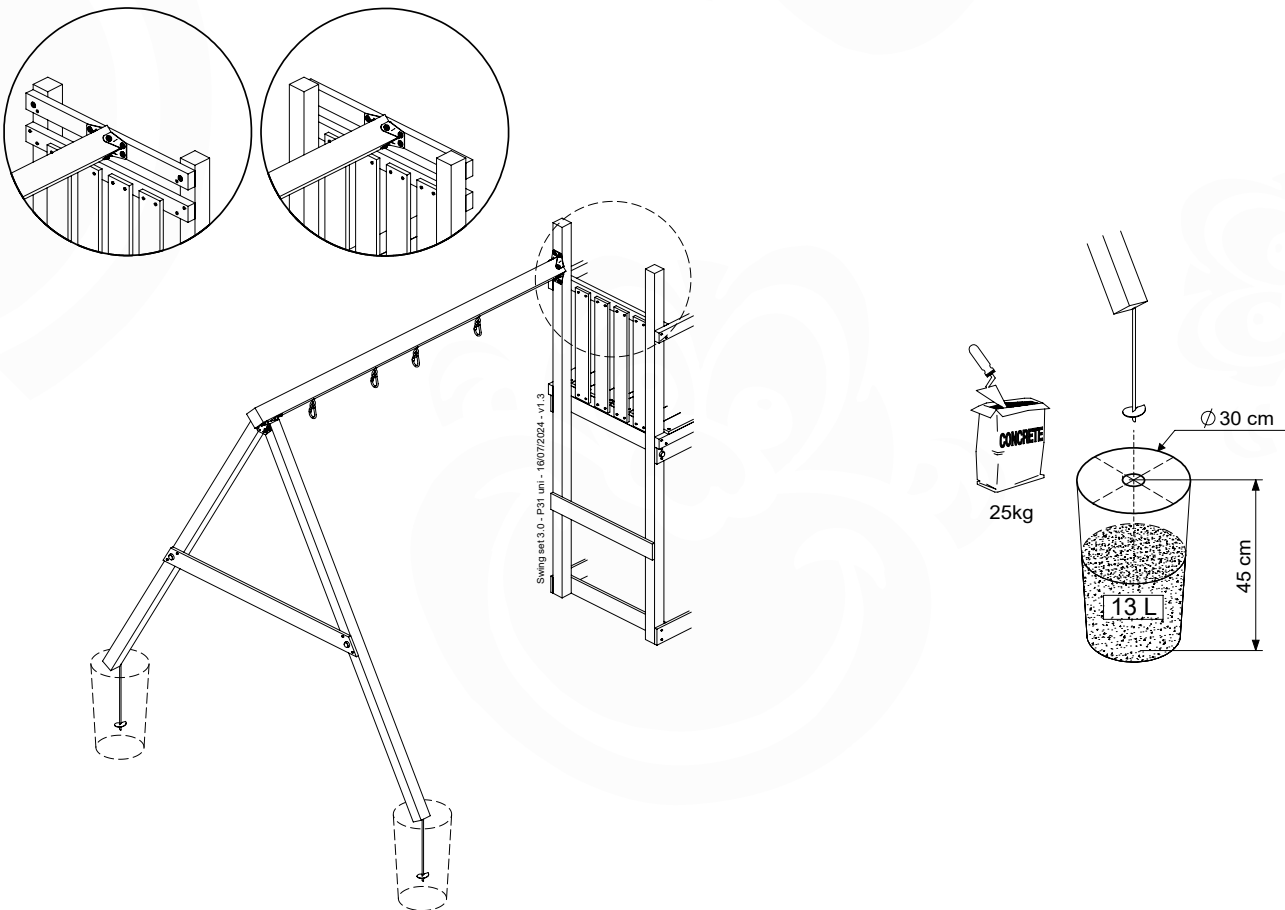
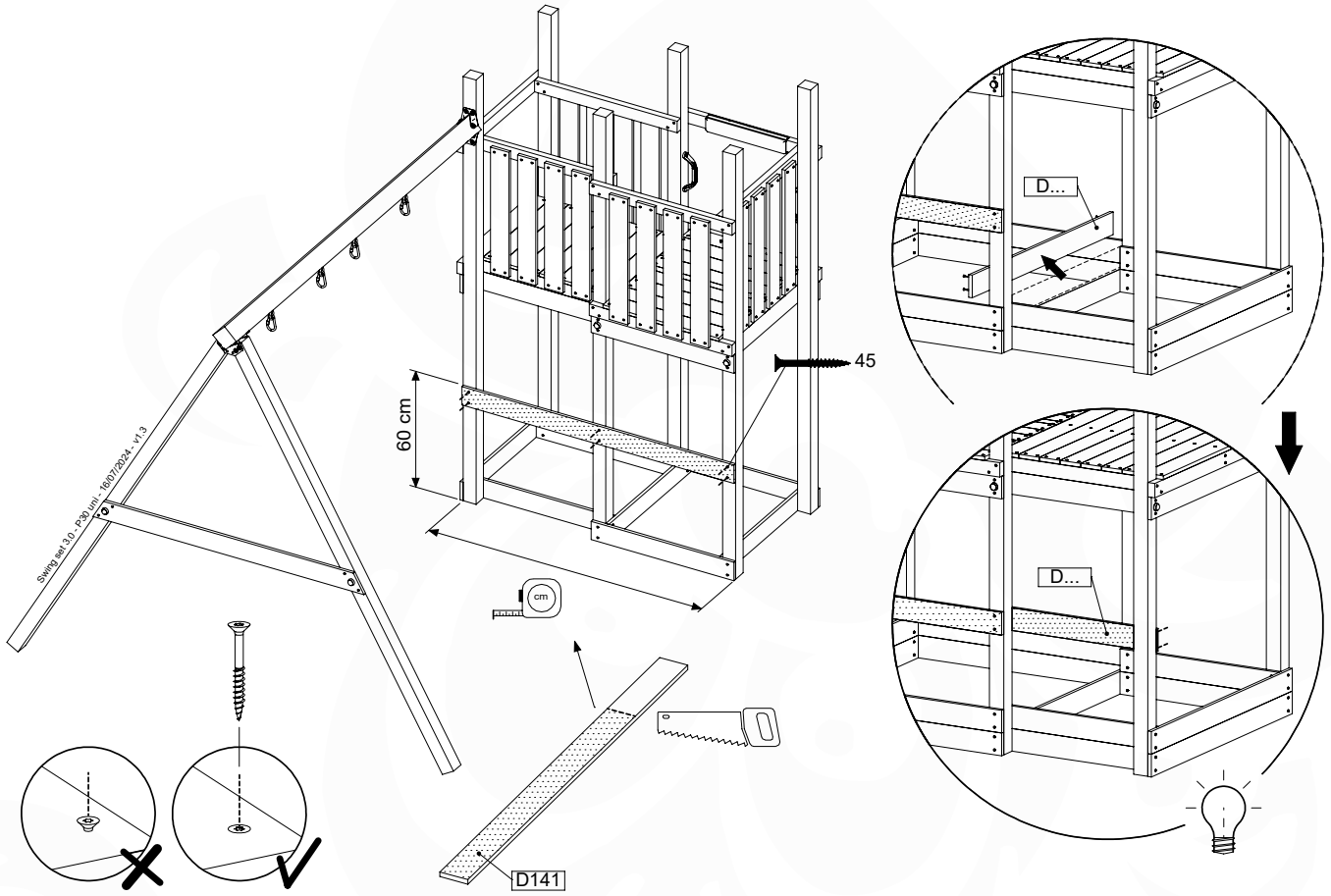
(E'')

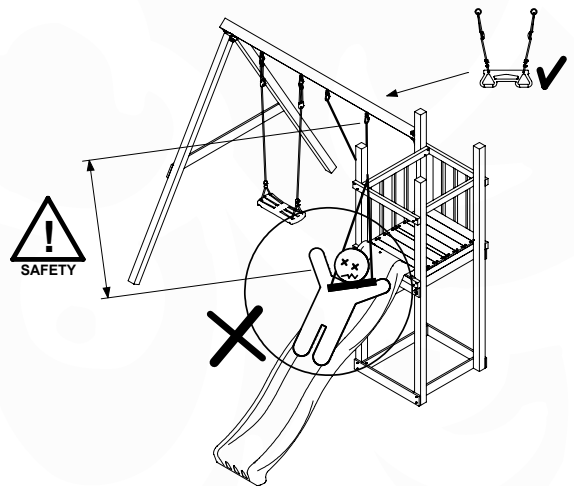
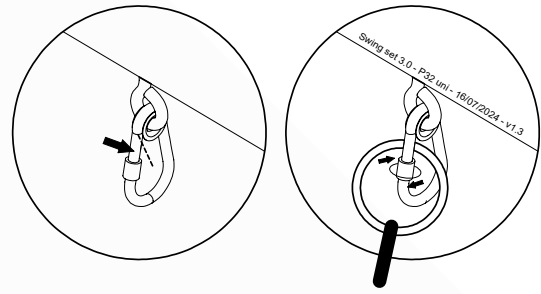
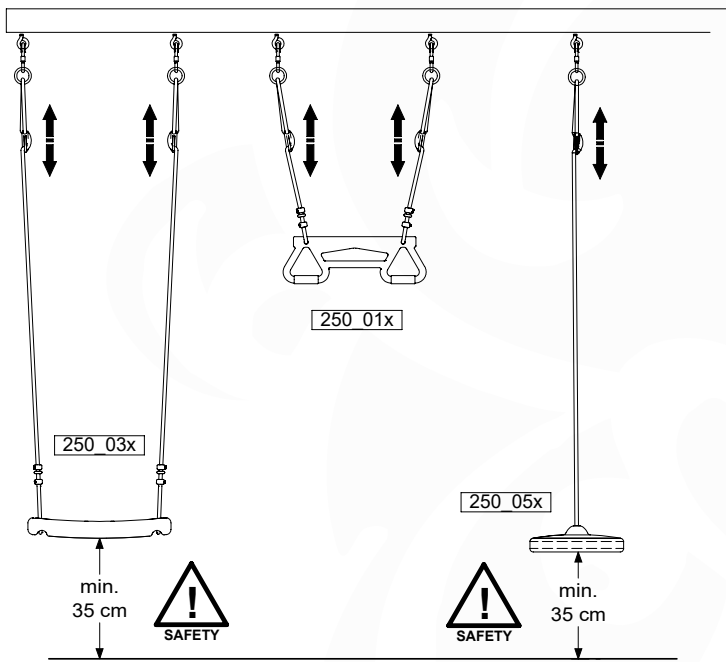




2-Swing positions





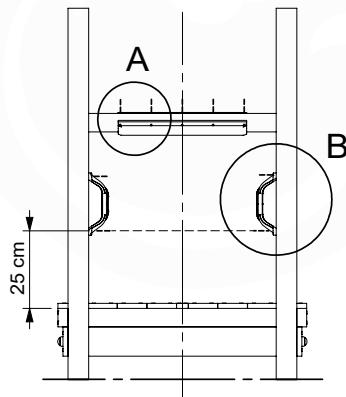
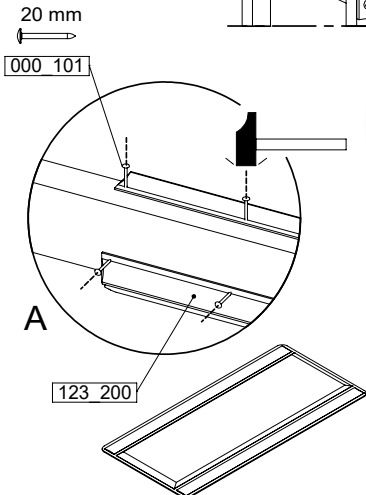
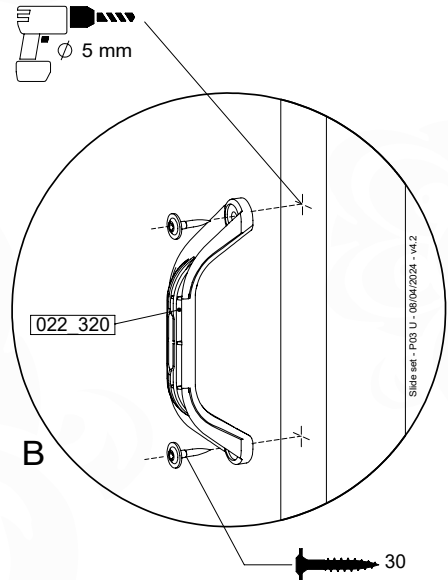
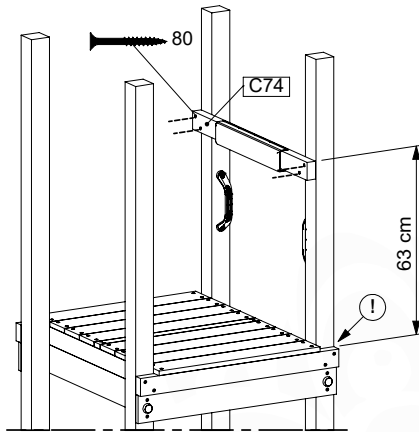
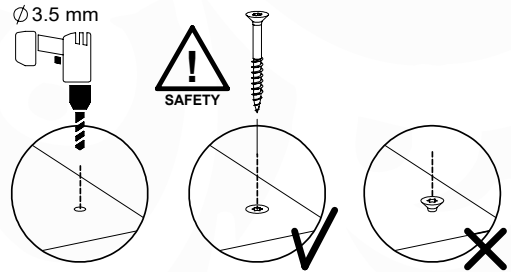
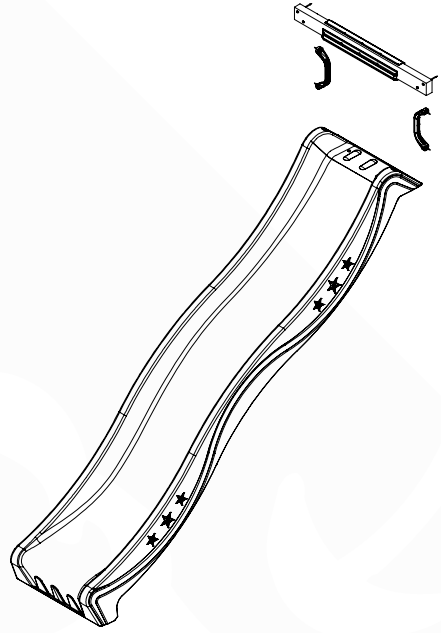


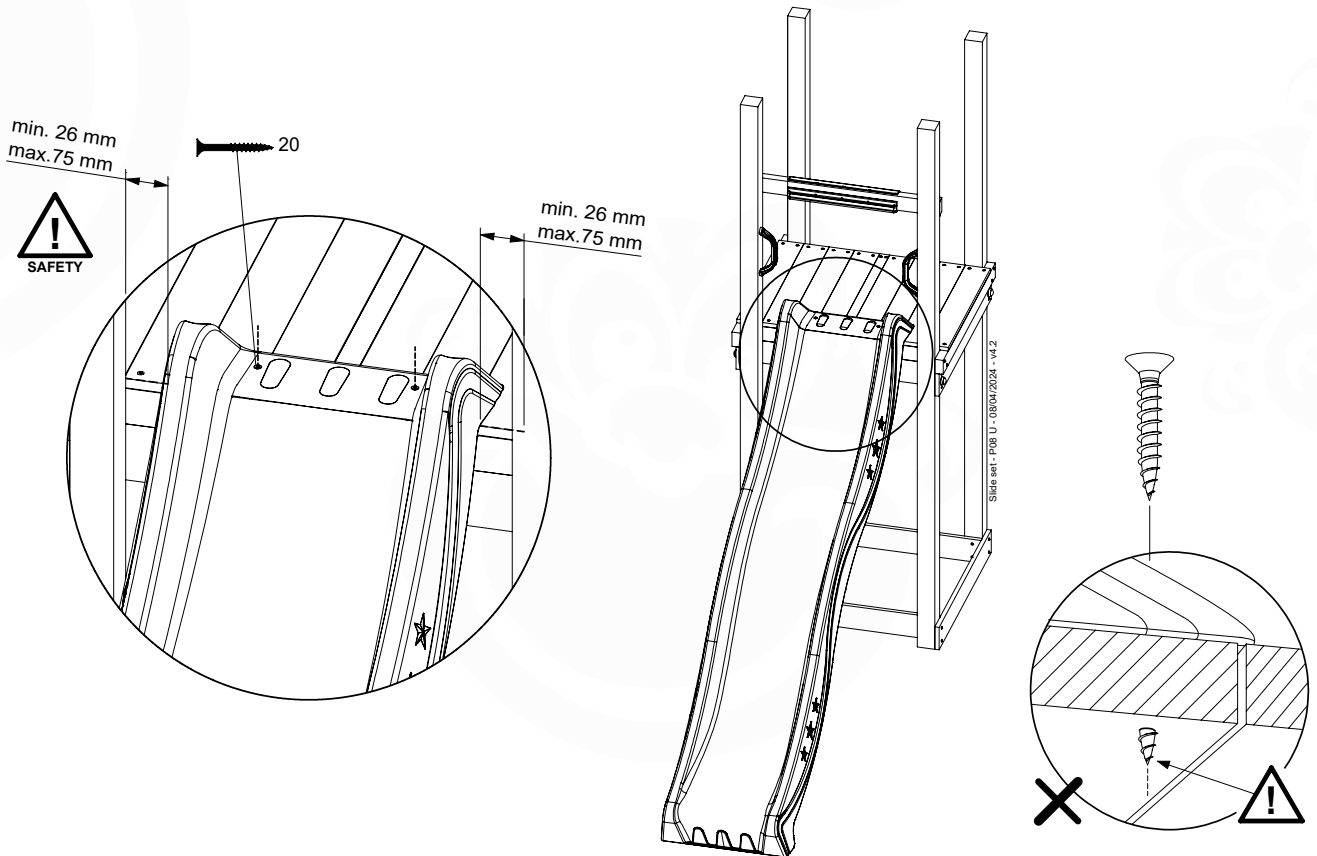
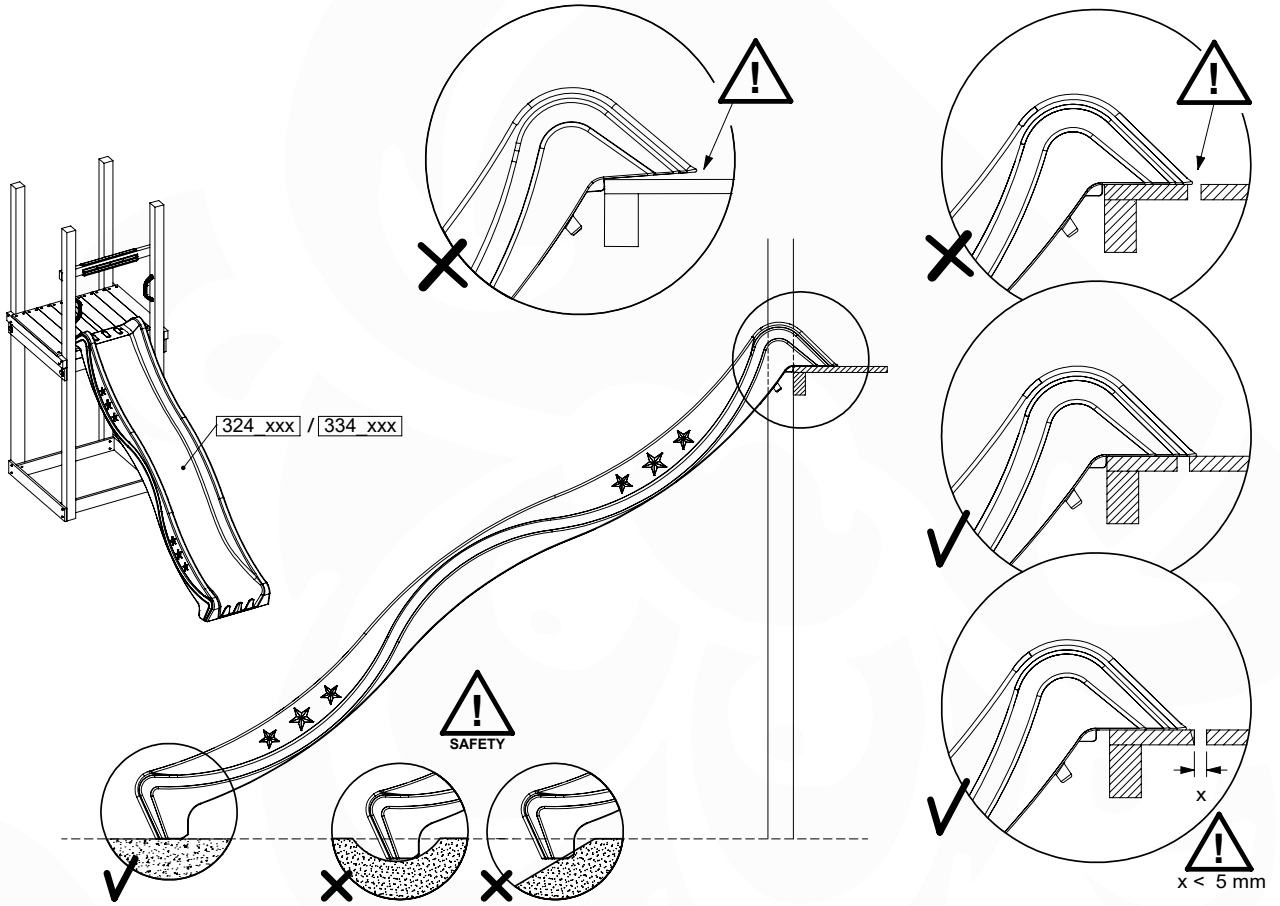
# 18 SL01a: Slide 80 125 U

Assembly Pack: 194\_107

	PartNo	PartName	QTY.
Hardware Pack 100_605	000_101	Nail Pan Head	10
	002_223	Gap Point Screw T25 - 5x80	4
	002_308	Gap Point Screw T25 - 5x20	2
Other	120_102	Handgrip set (2x Complete)	1
	123_200	Bumperpad	1
	324_xxx 334_xxx	Wavy Star Slide XL 2200 mm / Wavy Star Slide XL 2650 mm	1
Timber	C74	Beam 740 mm	1

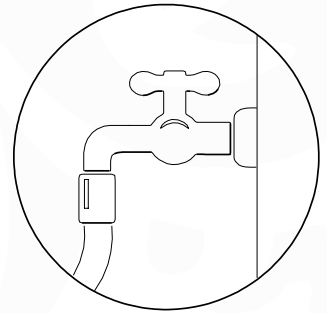
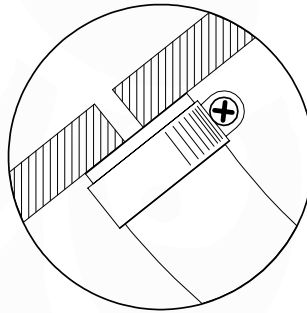
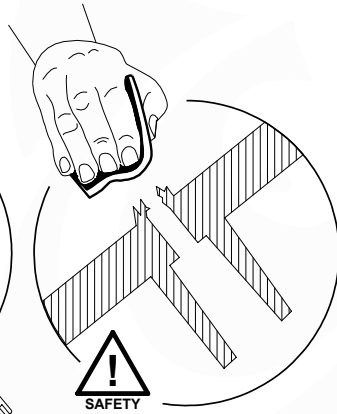
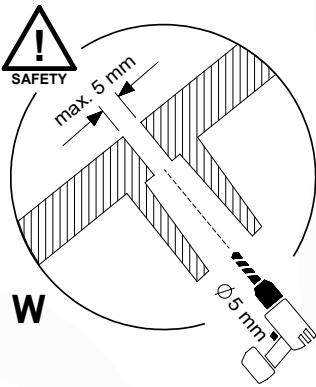
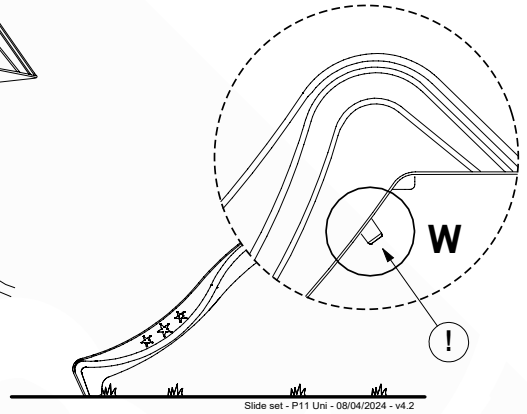
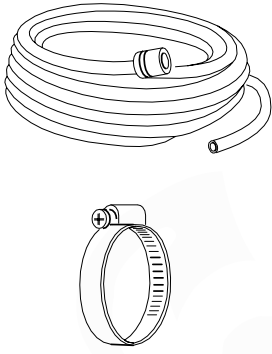
Slide set - P02 - 08/04/2024 - v4.2



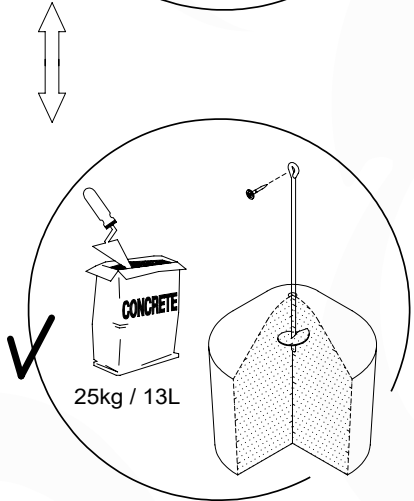
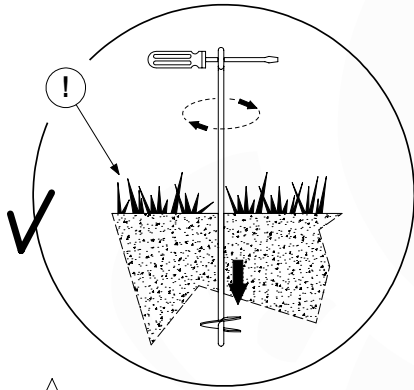




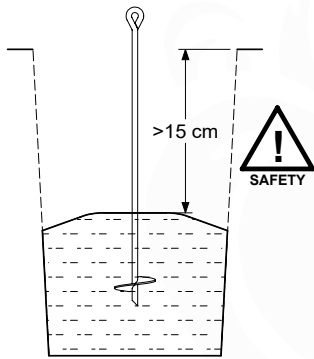
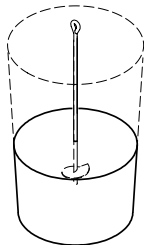
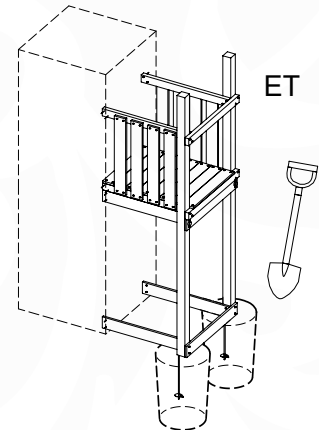
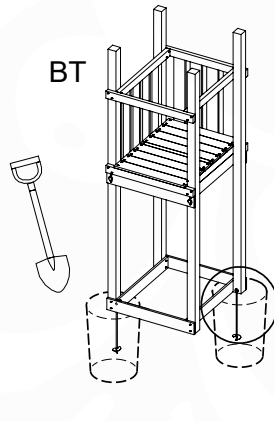
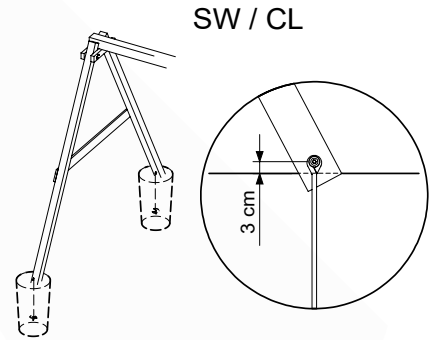
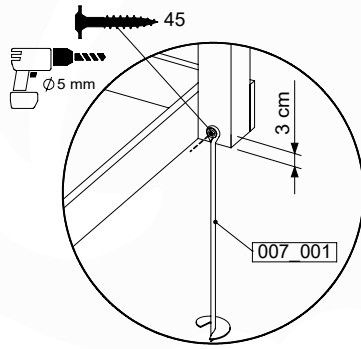
18.2



# 19 GA: Ground Anchors



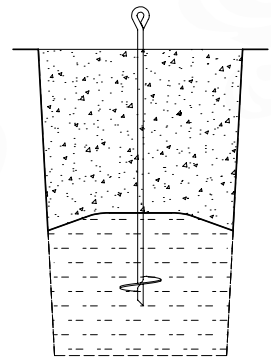
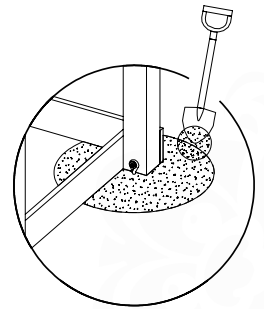
Ground Anchors Uni. - PD3 - 14/06/2024 - v1.5



1.



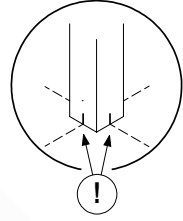
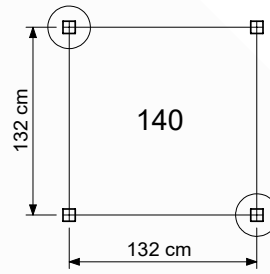
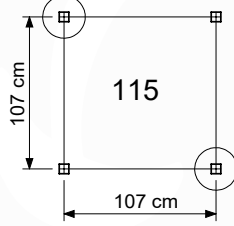
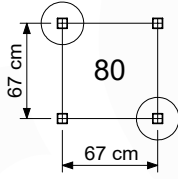
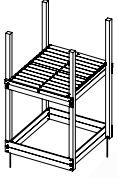
2.



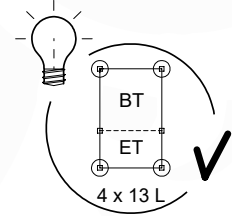
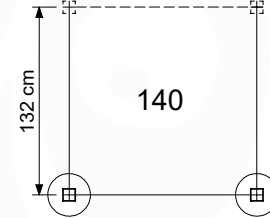
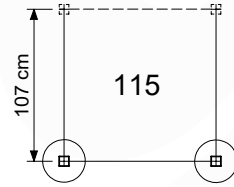
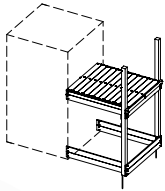
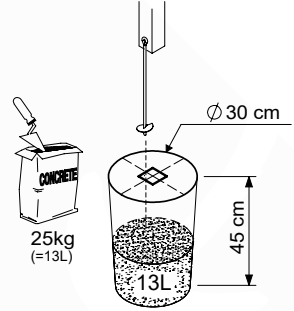
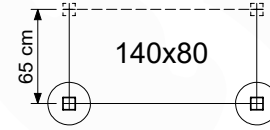
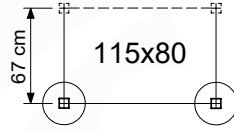
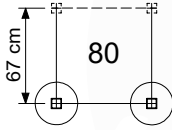
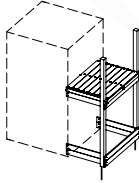
3.

Ground Anchors Uni. - PD4 - 14/06/2024 - v1.5

BASE TOWERS

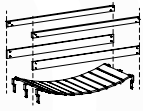


EXTENSION TOWERS

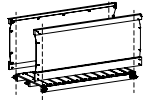


Ground Anchors Uni. - P01 - 14/06/2024 - v1.5

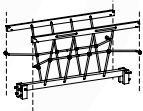
BRIDGES



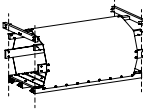
CLATTER



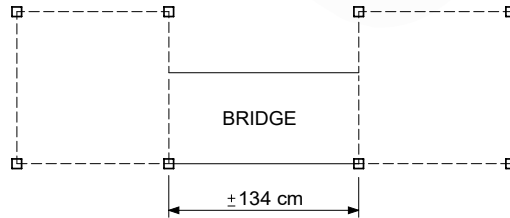
BOARDWALK



NET



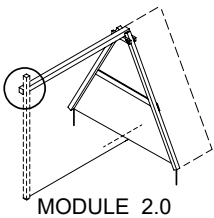
TUNNEL



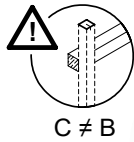
BRIDGE

Ground Anchors Uni. - P02 - 14/06/2024 - v1.5

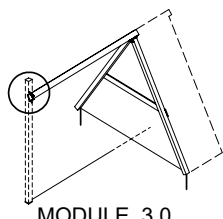
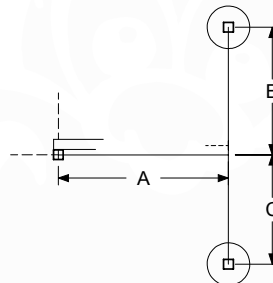
SWING / CLIMB



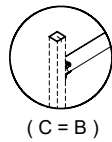
MODULE 2.0



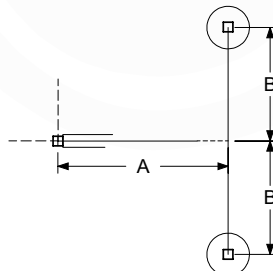
C ≠ B



MODULE 3.0



(C = B)



MODULE 2.0	Module type	A	B	C
	1-Swing 200	150	115	100
1-Swing 220 (Extra)		120	105	
1-Climb 200	142			
2-Climb 200	210	115	100	
2-Swing 200				
1-Climb 220 (Extra)	162			
2-Climb 220 (Extra)	230	120	105	
2-Swing 220 (Extra)				

cm

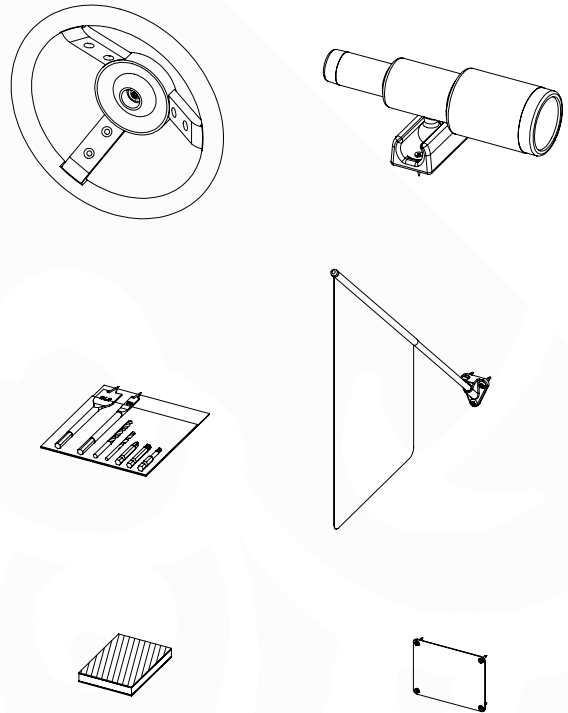
MODULE 3.0	Module type	A	B
	1-Swing 200 - 3.0	155	110
1-Swing 220 (Extra) - 3.0		115	
1-Climb 200 - 3.0	148		
2-Climb 200 - 3.0	222	110	
2-Swing 200 - 3.0	215		
1-Climb 220 (Extra) - 3.0	170		
2-Climb 220 (Extra) - 3.0	242	115	
2-Swing 220 (Extra) - 3.0	235		

cm

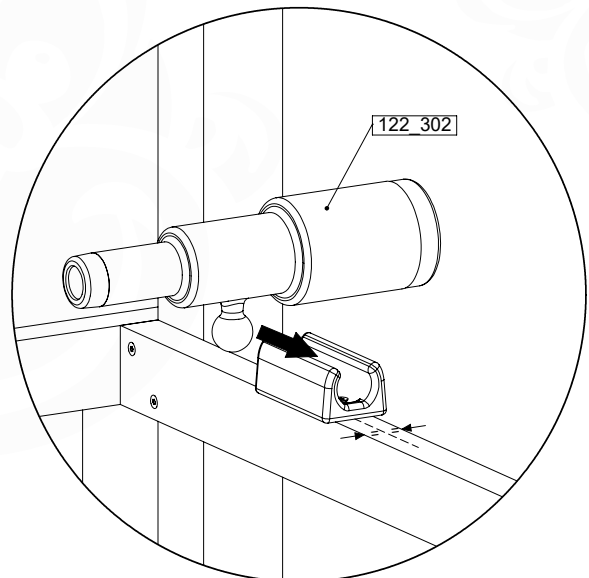
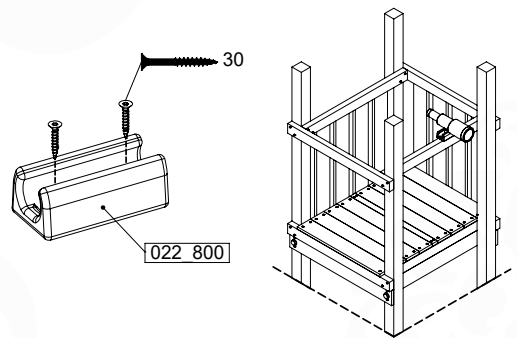
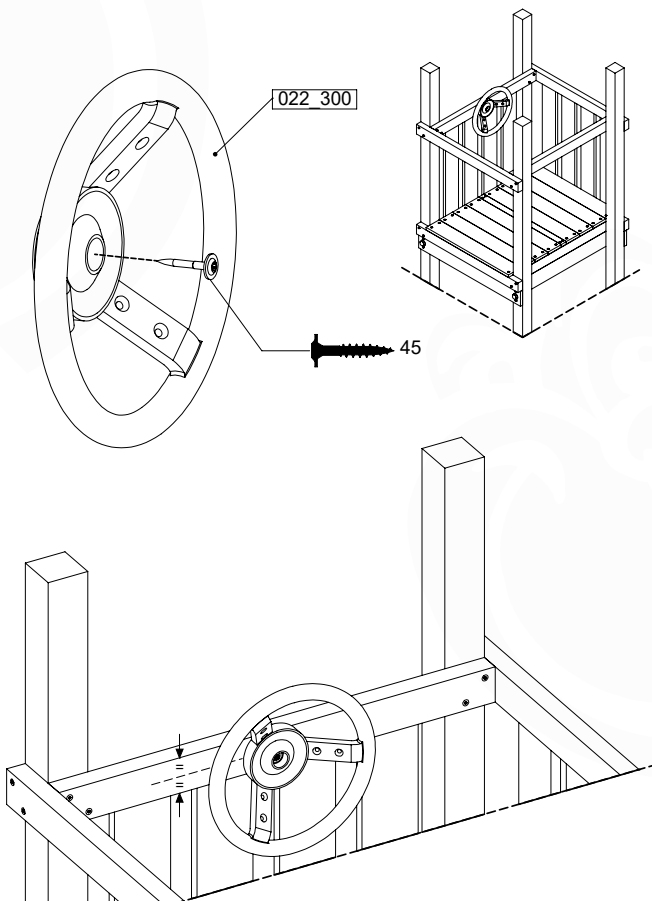
## 20 AC01a: Accessories

( 194\_119 )

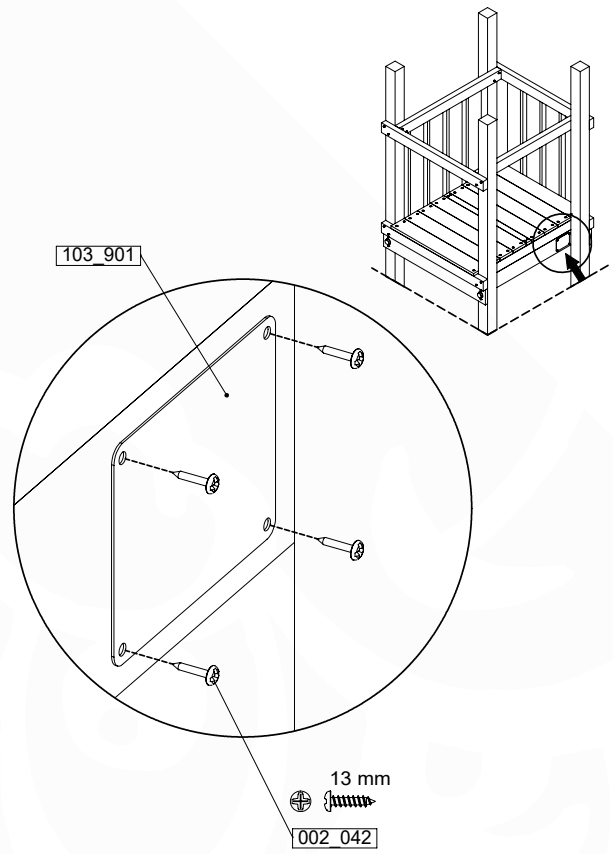
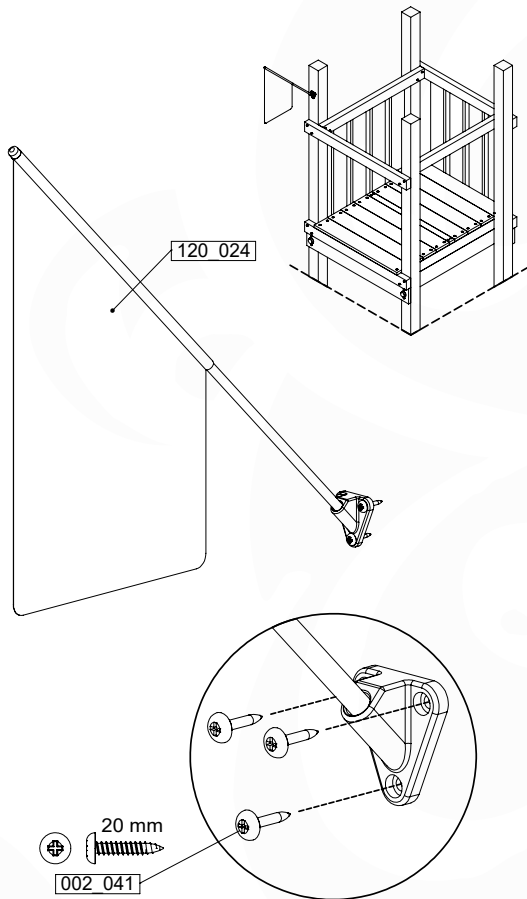
	PartNo	PartName	QTY.
Hardware Pack 100_617	001_406	Stealth Screw 8x45	1
	002_041	Dome head screw 4.5 x 20 mm	3
	002_042	Dome head screw 3.5 x 13mm	4
	002_219	Gap Point Screw T25 - 5x30	2
Other	022_300	Steering Wheel	1
	022_800	Rail P/T 105	1
	022_910	Sandpad	1
	103_901	Logo ID Plate	1
	104_107	Tool Set Climbing Units	1
	120_024	Tower Flag	1
	122_302	Telescope	1



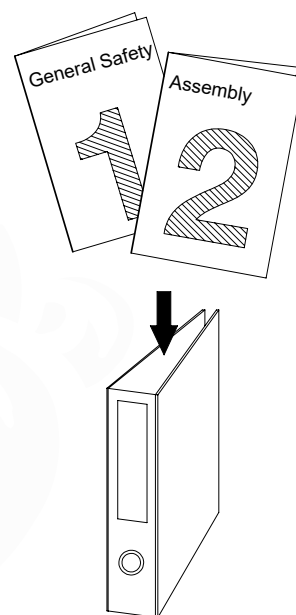
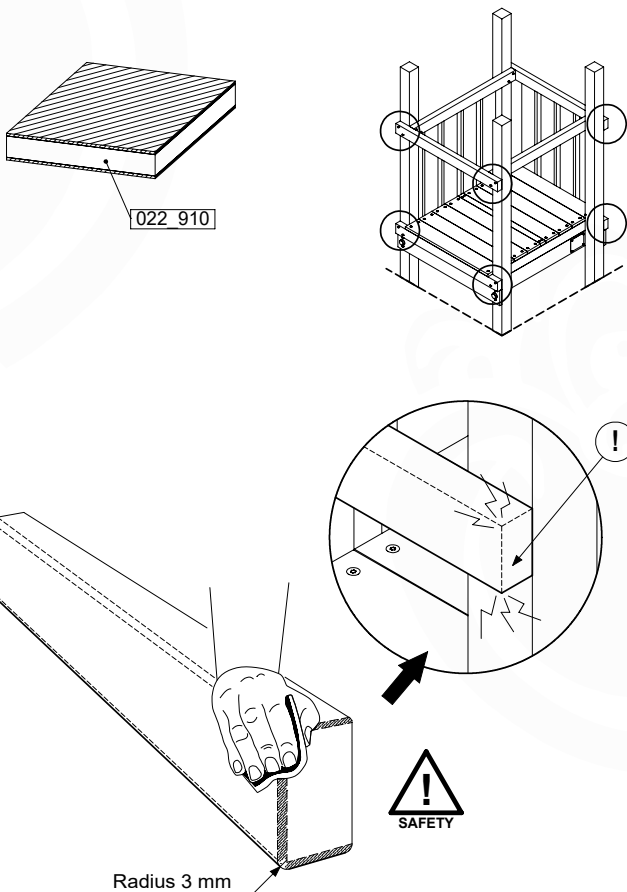
Accessory set - P02 - 24/01/2024 - v5



Accessory set - P03 - 24/01/2024 - v5



Accessory set - P04 - 24/01/2024 - v5



Accessory set - P05 - 24/01/2024 - v5

# 21 Declaration of conformity

## Activity toys for domestic use Aktivitätsspielzeug für den häuslichen Gebrauch Jouets d'activité à usage familial

### 1. Wooden climbing frames

20240416\_v3

#### 1.1. Assemblies

Playtowers	801_005, 801_009, 801_010, 801_013, 801_025, 801_040, 801_060, 801_070, 801_090, 801_095, 801_100, 801_103, 801_105, 801_110, 801_120, 801_200, 802_202, 802_204, 802_206, 802_208, 803_202, 803_204, 803_206, 803_208, 803_210, 809_802, 809_804
Swings	801_300, 801_601, 801_602
Modules	850_176, 850_177, 850_231, 850_232, 857_101, 857_102, 857_105, 857_106, 857_151, 857_152, 857_157, 857_158, 850_240

#### 1.2. Sub assemblies

Base towers (BT)	BT01a, BT02a, BT03a, BT11a, BT14a, BT15a, BT20a
Extension towers (ET)	ET01a, ET02a, ET05a, ET06a, ET07a, ET08a, ET09a, ET10a, ET11a, ET12a, ET13a, ET14a, ET15a, ET16a, ET17a, ET18a, ET19a, ET20a, ET22a, ET23a, ET27a, ET28a, ET35a, ET29a, ET39a, ET40a
Bridges (CB, NB, BB, TB)	CB01a, NB01a, BB01a, BB02a, TB01a, TB02a, TB03a, TB04a
Roofs (RF)	RF01a, RF21a, RF02a, RF03a, RF04a, RF05a, RF06a, RF20a, RF02b, RF03b, RF07a, RF08a, RF22a, RF09a, RF23a, RF11a, RF12a, RF07b, RF12b, RF08b, RF22b, RF09b, RF23b, RF11b, RF14a, RF24a, RF15a, RF25a, RF18a, RF18b, RF14b, RF24b, RF15b, RF25b
Balustrade (BL, BF)	BL01a, BL02a, BL21a, BF25a, BF26a, BF27a, BF28a, BF01a, BF02a, BF03a, BF04a, BF05a, BF06a, BF07a, BF08a, BF01b, BF02b, BF03b, BF04b, BF05b, BF06b, BF07b, BF08b, BF21a, BF22a, BF23a, BF24a, BF21b, BF22b, BF23b, BF24b
Playhouse (PH)	PH03a, PH04a, PH05a, PH06a, PH10a, PH11a, PH40a, PH41a, PH12a, PH13a, PH14a, PH15a, PH42a, PH43a, PH44a, PH45a, PH16a, PH17a, PH18a, PH19a, PH30a, PH31a, PH16b, PH17b, PH18b, PH19b, PH46a, PH47a, PH48a, PH49a, PH16c, PH17c, PH18c, PH19c, PH46b, PH47b, PH48b, PH49b, PH20a, PH21a, PH22a, PH23a, PH24a, PH25a, PH26a, PH27a, PH32a, PH33a, PH52a, PH53a, PH54a, PH55a, PH56a, PH57a, PH50a, PH51a, PH26b, PH27b, PH26c, PH27c, PH56b, PH57b
Ladder (LA)	LA05a, LA06a, LA01a, LA02a, LA03a, LA01b, LA02b, LA03b, LA11a, LA12a, LA13a, LA14a, LA15a, LA16a, LA17a, LA18a, LA31a, LA32a, LA33a, LA34a, LA35a, LA36a, LA37a, LA38a, LA21a, LA22a, LA23a, LA24a, LA25a, LA26a, LA43a, LA44a, LA45a, LA46a
Two Step Ladder (TS)	TS01a, TS01b, TS02a, TS02b, TS03b, TS22a, TS05a, TS06a, TS07a, TS08a, TS09a, TS10a, TS11a, TS12a, TS15a, TS16a, TS17a, TS18a, TS19a, TS20a, TS21a, TS22a
Rope Ladder (RL)	RL01a, RL02a, RL05a, RL06a, RL07a, RL08a, RL09a, RL10a, RL11a, RL12a, RL15a, RL16a, RL19a, RL20a
Rock wall (RW)	RW01a, RW02a, RW01b, RW02b, RW03b, RW31a, RW32a, RW33a, RW05a, RW06a, RW07a, RW08a, RW09a, RW10a, RW11a, RW12a, RW40a, RW41a, RW15a, RW16a, RW17a, RW18a, RW19a, RW20a, RW46a, RW47a
Ramp (RA)	RA03a, RA04a, RA05a, RA06a, RA07a, RA08a, RA11a, RA12a, RA21a
Net (NA, NS)	NA01a, NA02a, NS01a, NS02a, NS03a, NS21a, NA04a, NA05a, NS04a, NS05a, NS06a, NS07a, NA08a, NA09a, NS08a, NS09a
Boat (BO)	BO01a
Market (MT)	MT01a, MT02a, MT05a, MT06a, MT11a, MT12a
Picnic (PC)	PC01a, PC01b, PC05a, PC06a, PC09a, PC10a
Gymnastics bar (GY)	GY01a
Fireman's pole (FP)	FP01a, FP02a, FP04a, FP05a, FP06a, FP07a, FP23a, FP24a, FP25a, FP26a, FP27a, FP28a
Slides (SL)	SL01a, SL02a, SL03a, SL06a, SL07a, SL08a, SL09a, SL10a, SL11a, SL12a, SL13a, SL26a, SL27a, SL28a, SL29a
Swing (SM)	SW17a, SW21a, SW18a, SW22a, SW01a, SW05a, SW02a, SW06a, SW09a, SW13a, SW10a, SW14a
Climb (CL)	CL17a, CL21a, CL18a, CL22a, CL01a, CL05a, CL02a, CL06a, CL09a, CL13a, CL10a, CL14a
Universal Beam (UB)	UB01a, UB04a, UB02a, UB05a, UB03a, UB06a
Accessories (AC)	AC30a, AC31a, AC32a, AC33a, AC01a, AC05a, AC07a, AC03a, AC04a, AC06a, AC23a, AC22a, AC24a, AC21a, AC25a, AC02a, AC09a, AC08a, AC10a

### 2. Construction packages

#### 2.1 Assembly Kits

Playtowers	401_015, 401_080, 401_125, 402_201, 402_202, 402_204, 402_206, 402_208, 403_202, 403_204, 403_206, 403_208, 403_210, 409_802, 409_804
Swings	401_300, 401_600
Modules	457_005, 457_102, 457_103, 457_106, 457_107, 457_205

#### 2.2 Assembly Packs

Sub assemblies	194_002, 194_003, 194_004, 194_006, 194_007, 194_008, 194_009, 194_010, 194_100, 194_101, 194_102, 194_103, 194_104, 194_105, 194_107, 194_108, 194_109, 194_110, 194_111, 194_112, 194_113, 194_114, 194_115, 194_116, 194_117, 194_118, 194_119, 194_300, 194_308, 194_312, 194_500, 194_501, 194_508, 194_510, 194_802, 194_804, 194_809, 194_810, 194_811, 194_812
----------------	--

### 3. Accessories and components

Slides XL	324_100, 324_200, 324_300, 324_400, 324_500, 324_600
Slides XXL	334_100, 334_200, 334_300, 334_400, 334_500, 334_600
Fireman's pole	201_275
Climbing	201_060, 201_273
Imagination	201_280, 201_285, 201_290, 201_295, 202_473, 450_310, 450_320, 450_330
Swinging	250_001, 250_013, 250_025, 250_034, 250_053
Functional	123_220, 123_222, 123_230, 201_115, 201_220, 201_250, 201_260, 201_270, 202_620, 202_621, 202_622, 202_623, 202_624, 202_625, 202_626, 202_627, 202_628, 202_629, 202_824, 250_065, 250_070, 250_075

## Applicable EU directives and standards

### General

- General Product Safety Directive (GPSD) 2001\48\EG
- Reach directive 1907\2006
- AfPS GS 2019:01 PAK

### Activity Toys

- Toy Safety Directive (TSD) 2009\48\EG
- EN Standard 71 Safety of Toys
  - EN 71-1:2014 + A1:2018 Safety of toys Mechanical and physical properties
  - EN 71-2:2020 Flammability
  - EN 71-3:2019 + A1:2021 Migration of certain elements
  - EN 71-8:2018 Safety of toys Activity toys for domestic use

### Supplementary information

Conformity to the above specified directives and standards has been frequently verified by TÜV Rheinland LGA products, DEKRA, LNE SA, since 1994. Jungle Gym participates in the European Commission for standardisation for the safety of activity toys (TC52/WG10).



EN 71-1,-2, -3, -8 & -9

### Manufacturer details

Company Name: Jungle Gym B.V.  
Address: Valschermkade 18, 1059 CD Amsterdam, Netherlands  
Email: info@junglegym.com

### Declaration

I hereby declare under our sole responsibility that the products mentioned above, to which this declaration relates, comply with the above mentioned directives and standards when the installation, assembly, and maintenance instructions are strictly followed.

Name  
Mr. P. Schmit / Director

Issued date  
Monday 22<sup>nd</sup> July, 2024

A handwritten signature in blue ink, appearing to read 'P. Schmit', is written over a horizontal line.

Signature of representative

Jungle Gym B.V. | P.O. Box 75083 | 1070 AB Amsterdam | Netherlands | Phone: +31 85 444 41 00 | e-mail: info@junglegym.com | www.junglegym.com