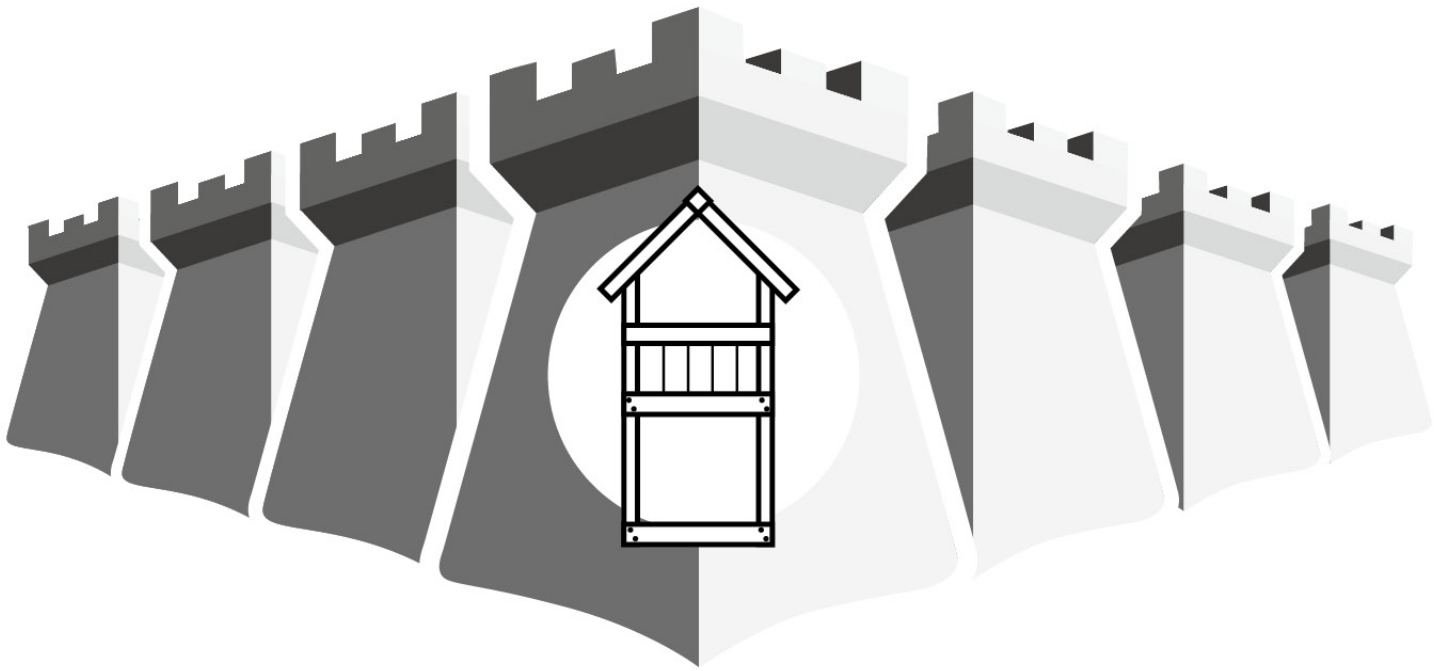


# Assembly

## P Series



Owner's Manual



1

1



1x

+



1x



1x



± 0.30 m<sup>3</sup>



4<sup>h</sup>

2



1x

+



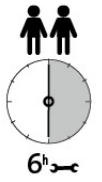
1x



1x



± 0.47 m<sup>3</sup>



6<sup>h</sup>

3



1x

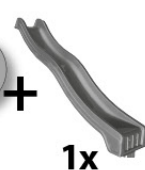


1x

+



1x



1x

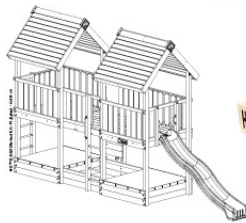


± 0.67 m<sup>3</sup>



7<sup>h</sup>

4



1x



2x

+



1x



1x



± 1.04 m<sup>3</sup>



13<sup>h</sup>

5



2x



1x

+



1x



1x



± 0.87 m<sup>3</sup>



11<sup>h</sup>

6



2x

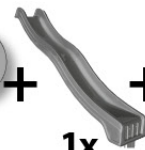


2x

+



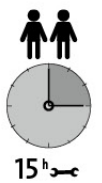
1x



1x

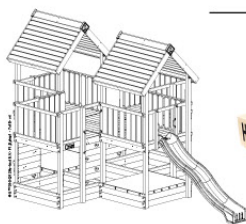


± 1.24 m<sup>3</sup>



15<sup>h</sup>

7



3x

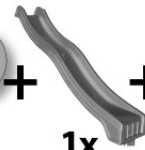


2x

+



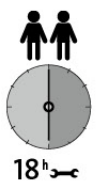
1x



1x

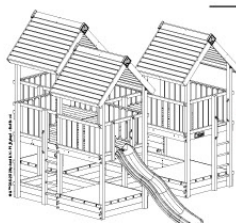


± 1.44 m<sup>3</sup>



18<sup>h</sup>

8



3x

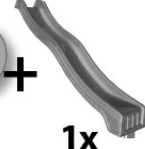


3x

+



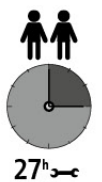
1x



1x



± 1.81 m<sup>3</sup>









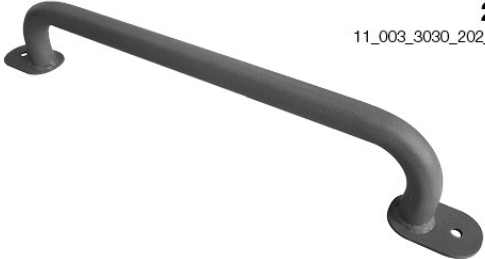

27<sup>h</sup>



# Content P - Kit A

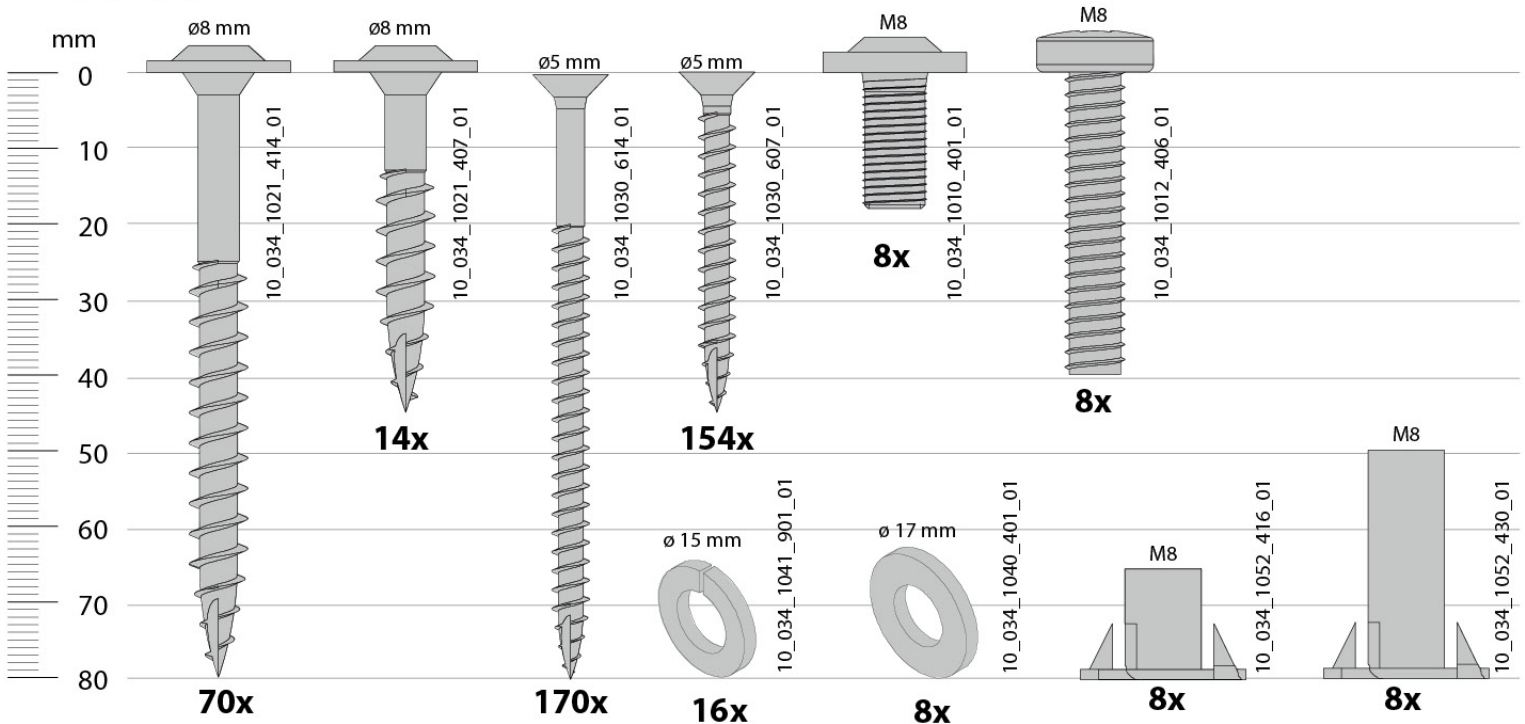
14\_001\_101\_05



<p><b>6x</b> 10_030_5051_120_04</p> 	<p><b>2x</b> 10_217_2050_100_04</p> 	<p><b>1x</b> 10_217_2050_200_04</p> 	<p><b>1x</b> 10_217_2050_300_04</p> 	<p><b>1x</b> 11_207_1010_401_04</p>  <p><b>41x</b> 10_205_2030_000_04</p>
<p><b>1x</b> 10_467_3010_101_26</p> 		<p><b>2x</b> 11_003_3030_202_06</p> 		<p><b>1x</b> 11_001_1010_100_25</p> 

## Hardware P - Kit A

11\_001\_1010\_100\_25





**2.1b**

# Content P - Kit B

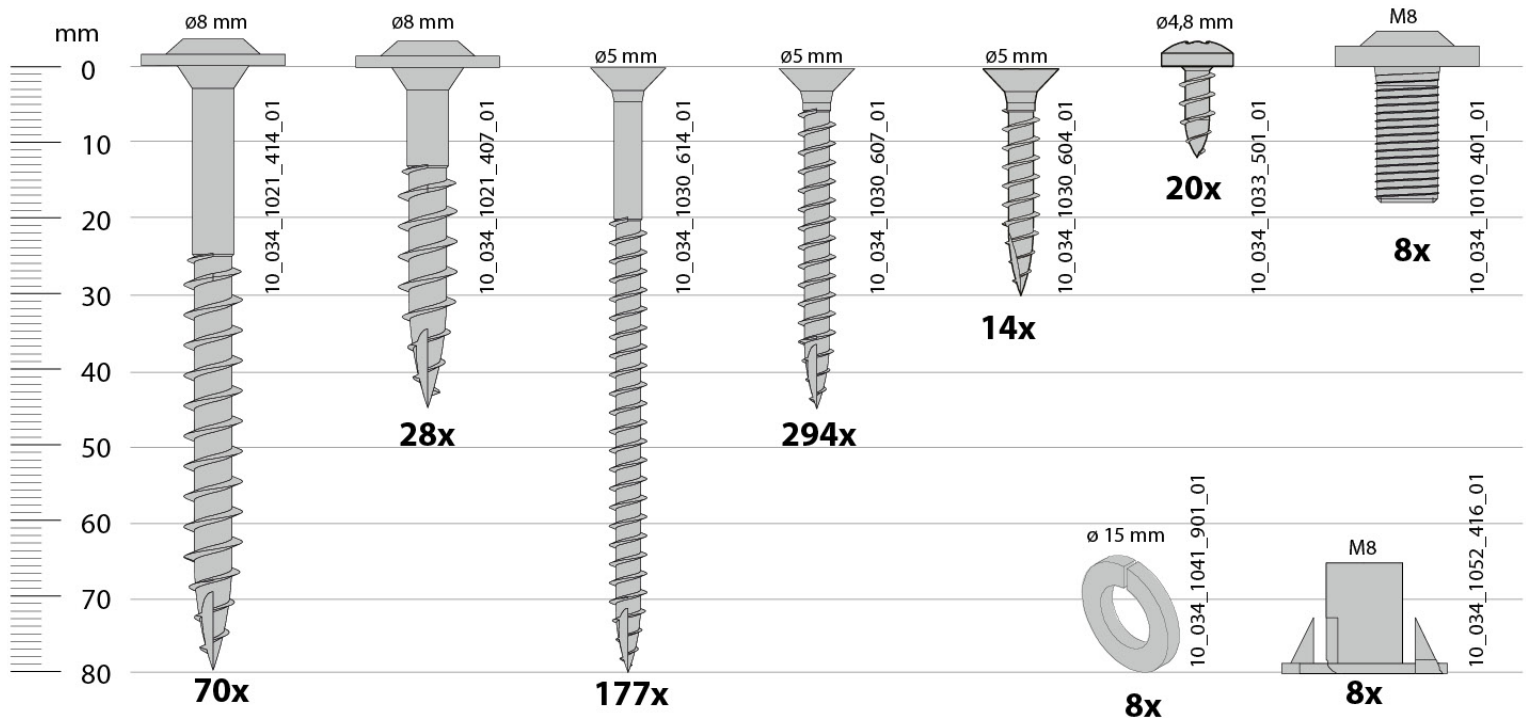
14\_001\_101\_10



<p><b>1x</b> 11_207_1090_101_02</p> <p><b>14x</b> 10_201_2075_205_04</p>	<p><b>6x</b> 10_030_5051_120_04</p>
<p><b>1x</b> 10_467_3010_201_26</p>	<p><b>1x</b> 11_203_1031_122_25</p>
<p><b>2x</b> 10_030_5011_001_04</p>	<p><b>1x</b> 11_203_1030_105_25</p>
<p><b>4x</b> 10_030_5010_000_04</p>	<p><b>2x</b> 10_201_2075_405_04</p>
<p><b>1x</b> 11_203_1041_108_04</p> <p><b>8x</b> 10_205_2031_000_04</p>	<p><b>1x</b> 11_001_1010_200_25</p>
<p><b>1x</b> 11_207_1010_601_04</p> <p><b>55x</b> 10_205_2030_000_04</p>	<p><b>2x</b> 11_003_3030_202_06</p>
<p><b>4x</b> 10_026_4010_301_01</p>	

# Hardware P - Kit B

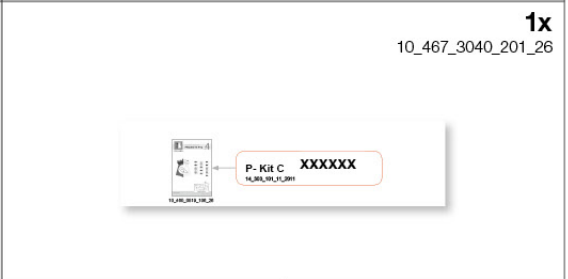
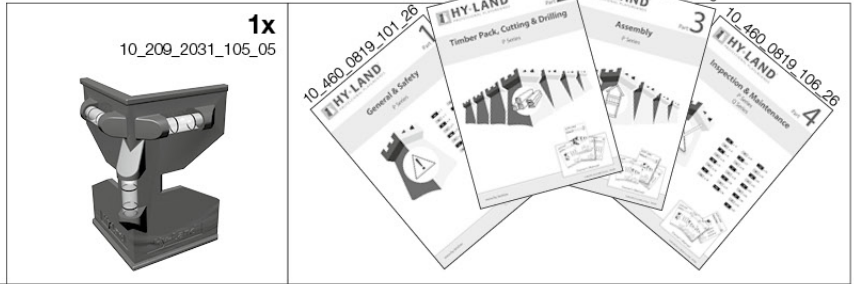
11\_001\_1010\_200\_25



**2.1c**

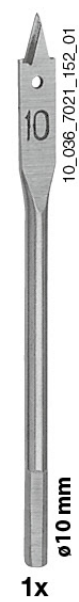
# Content P - Kit C

14\_303\_101\_11



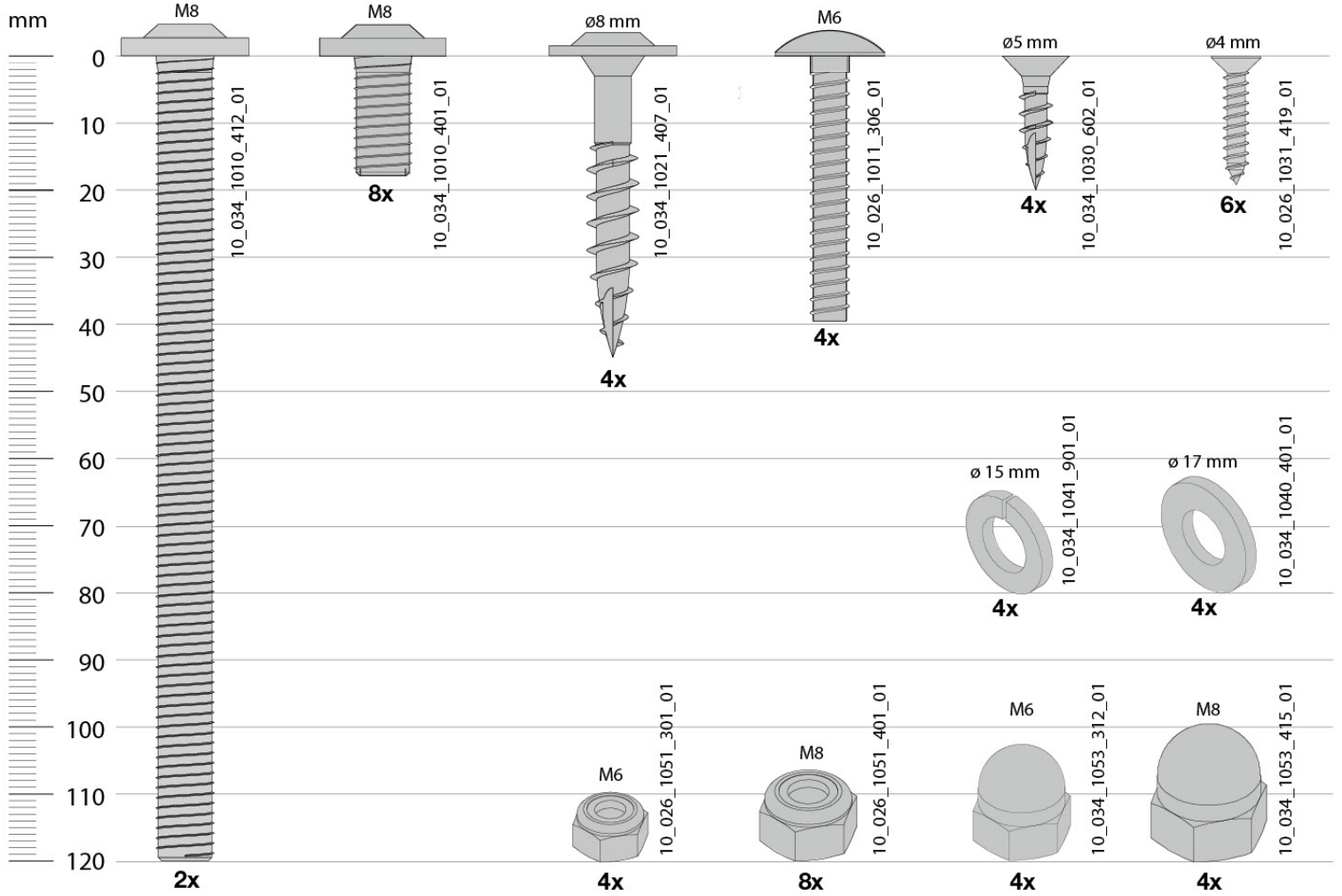
## Tools

11\_002\_1010\_202\_25



# Hardware P - Kit C

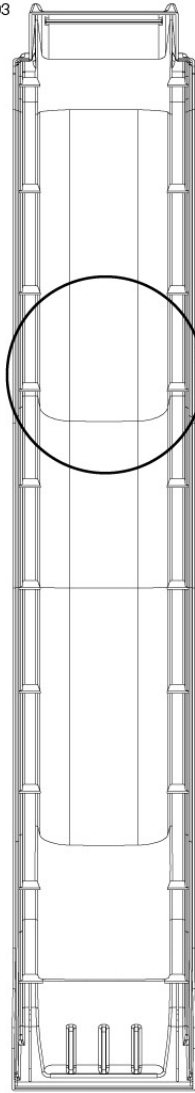
11\_001\_1030\_100\_25



2.2a

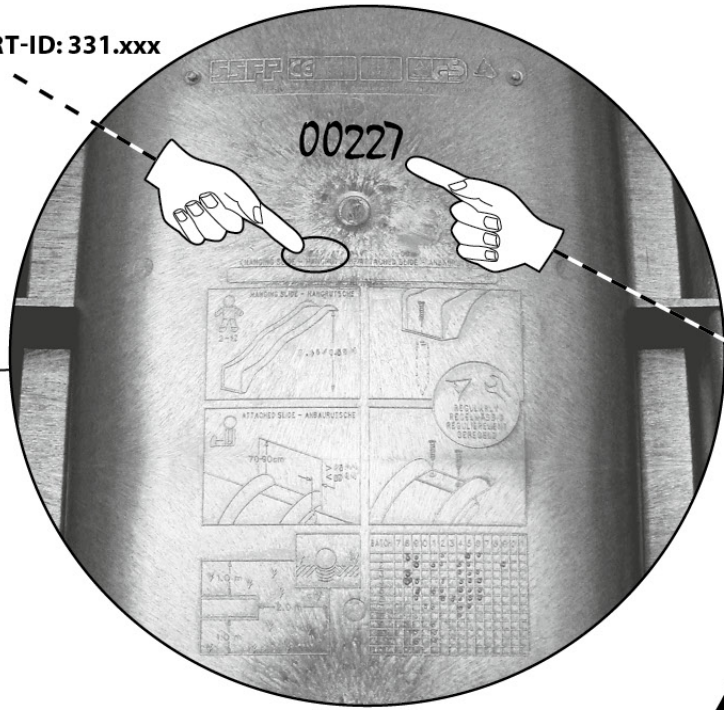
# Hy-Slide Polyethylene

14\_306\_301\_03

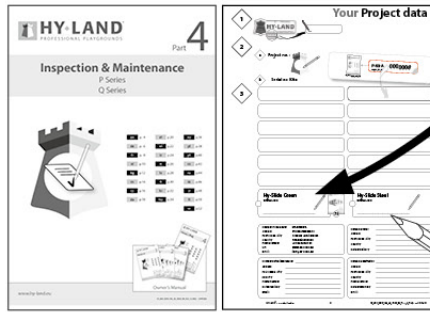


Back

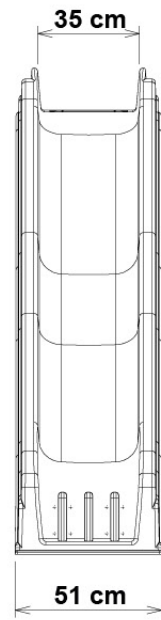
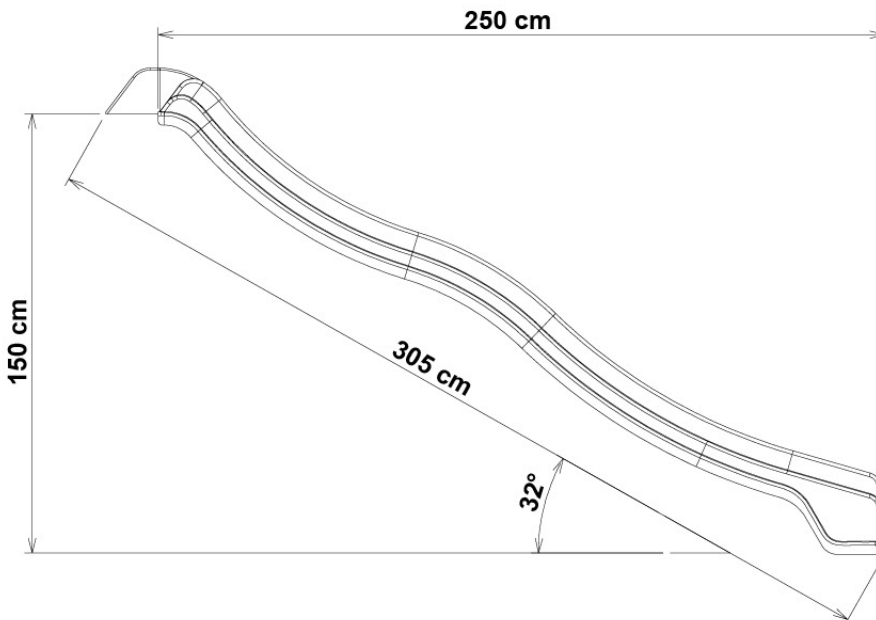
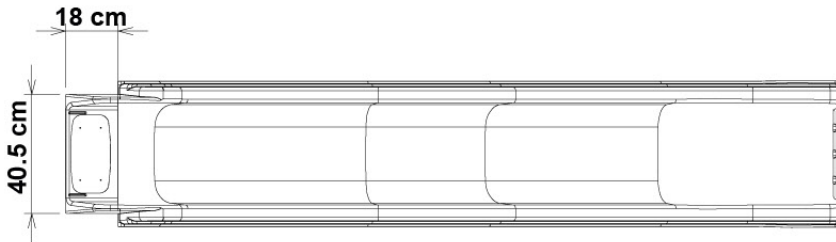
PART-ID: 331.xxx



SERIAL NO.



10\_460\_0819\_106\_26

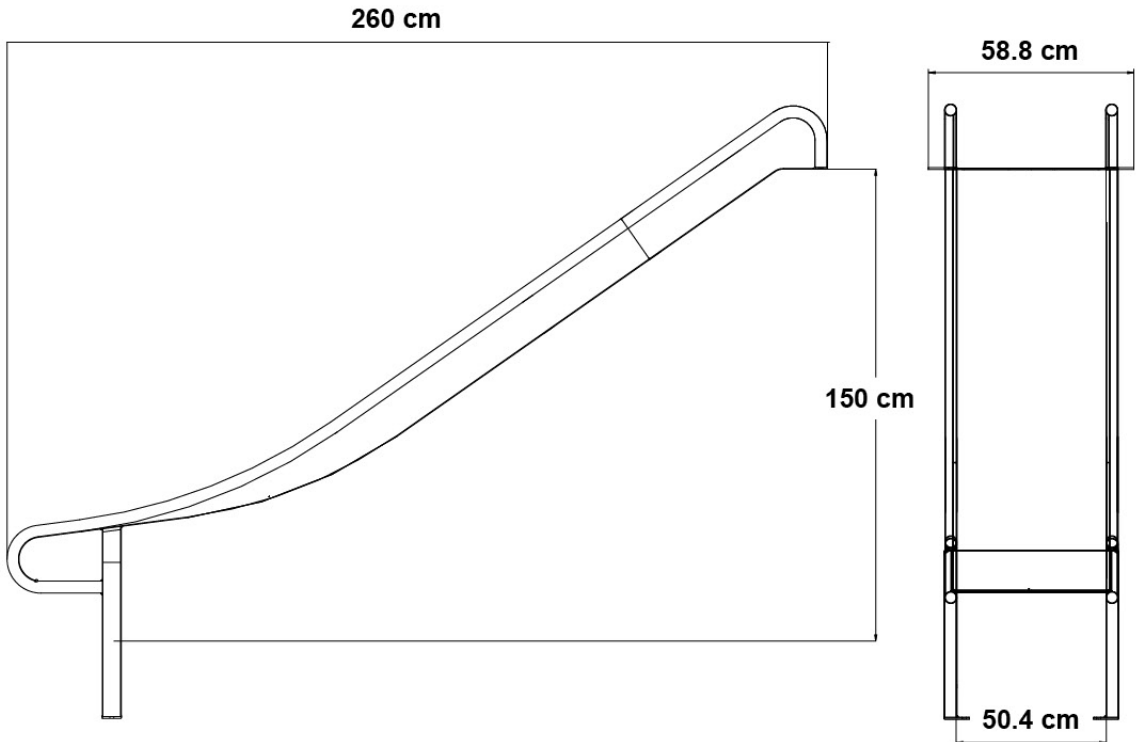
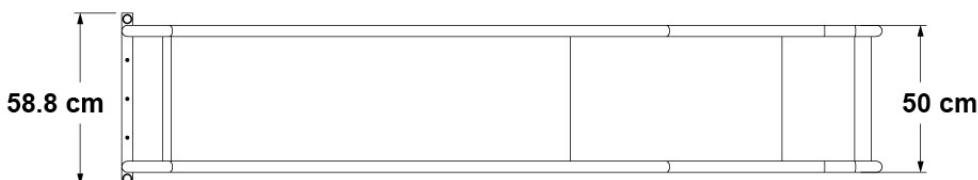
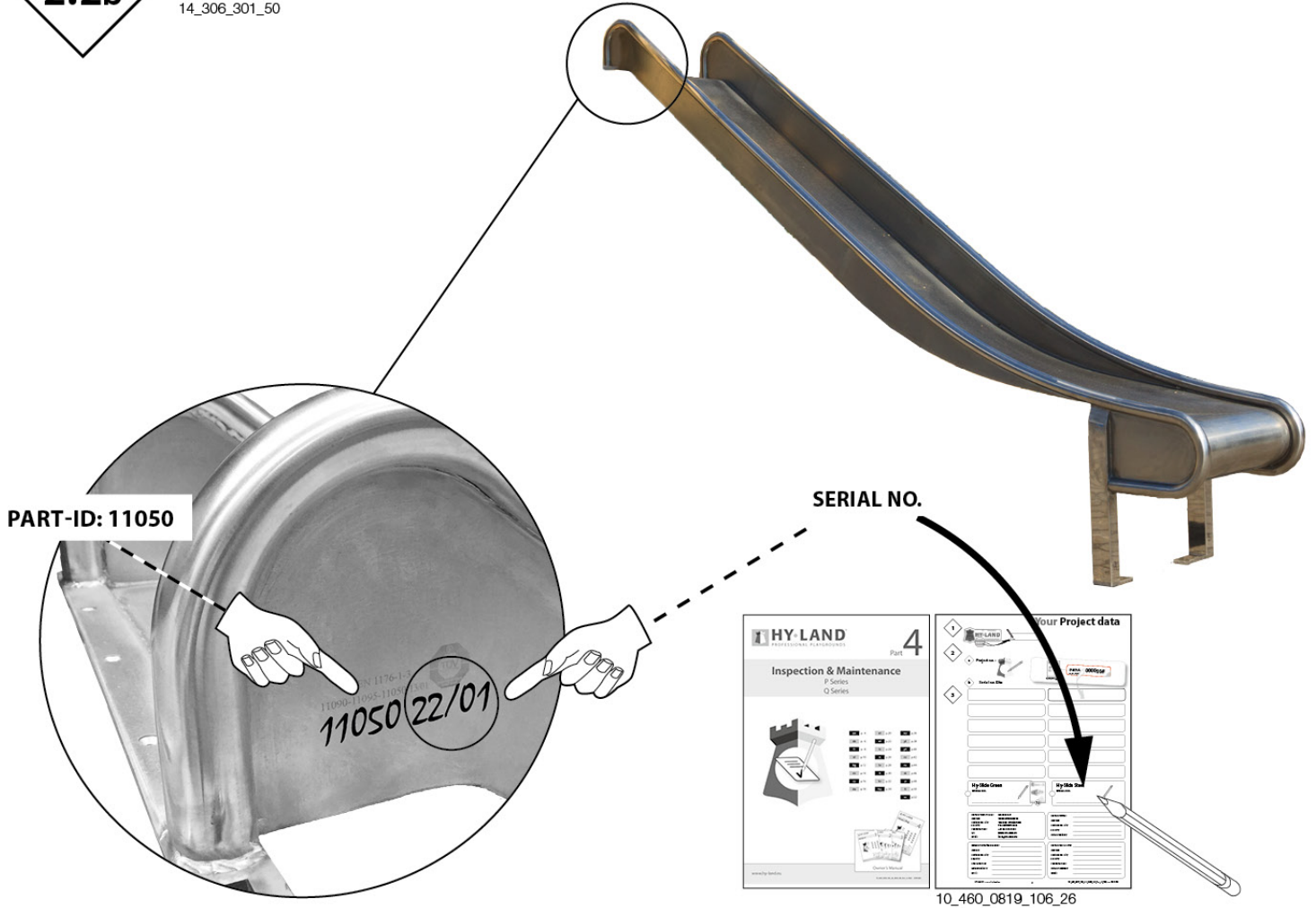




2.2b

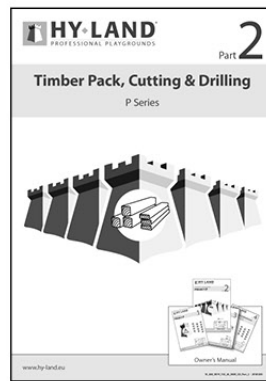
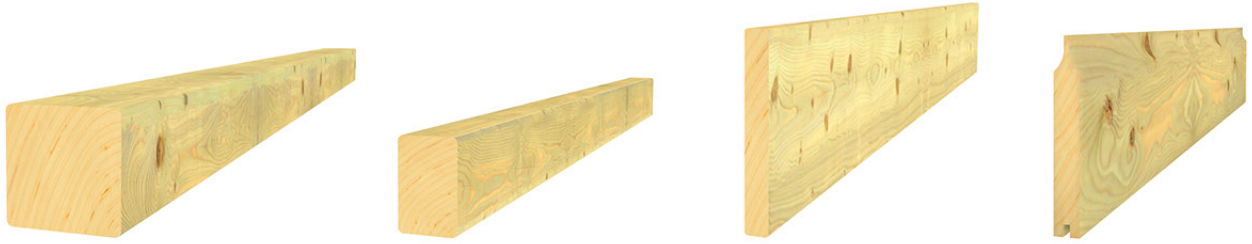
# Hy-Slide Stainless Steel

14\_306\_301\_50



2.3

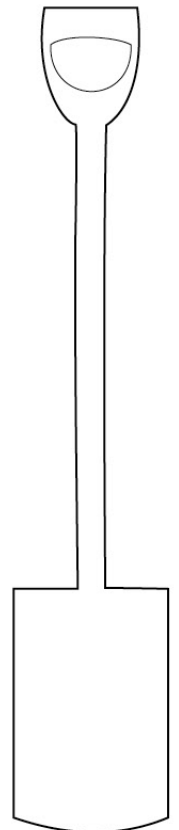
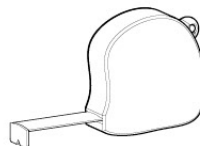
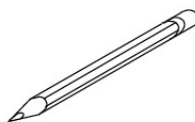
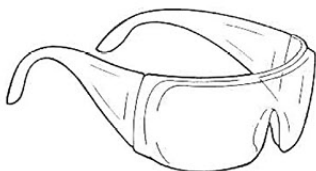
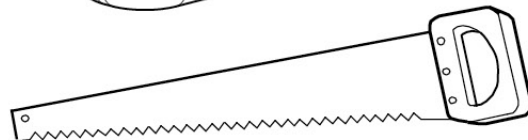
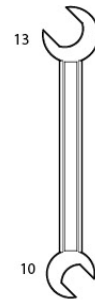
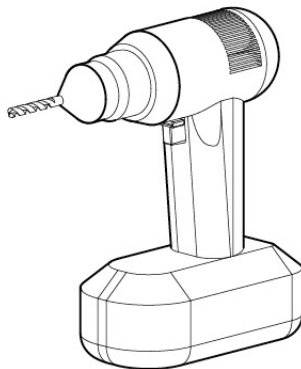
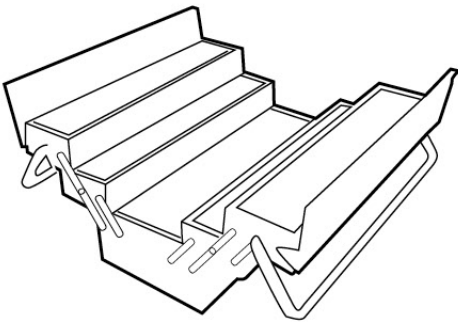
# Timber



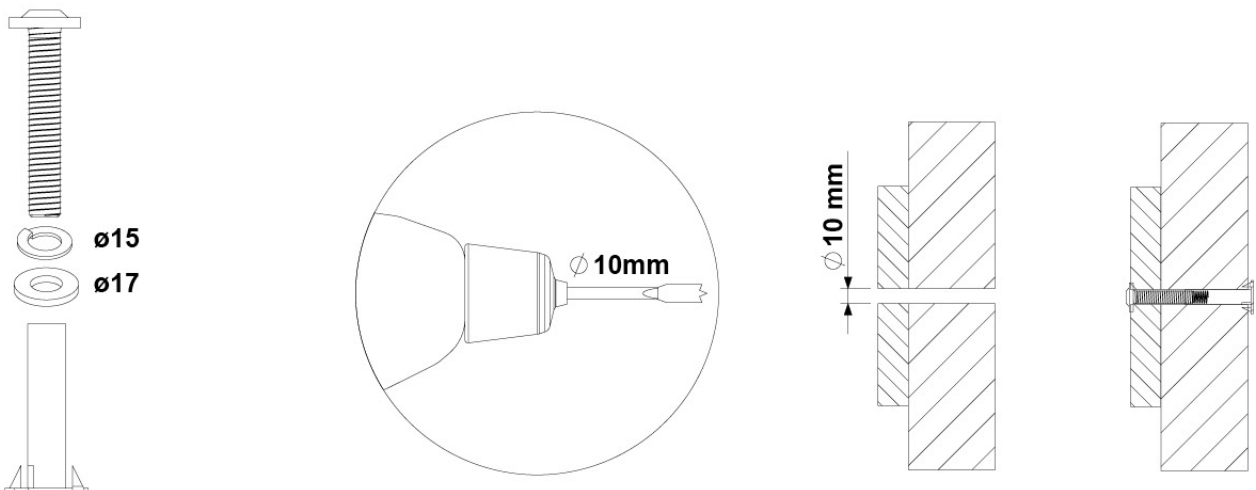
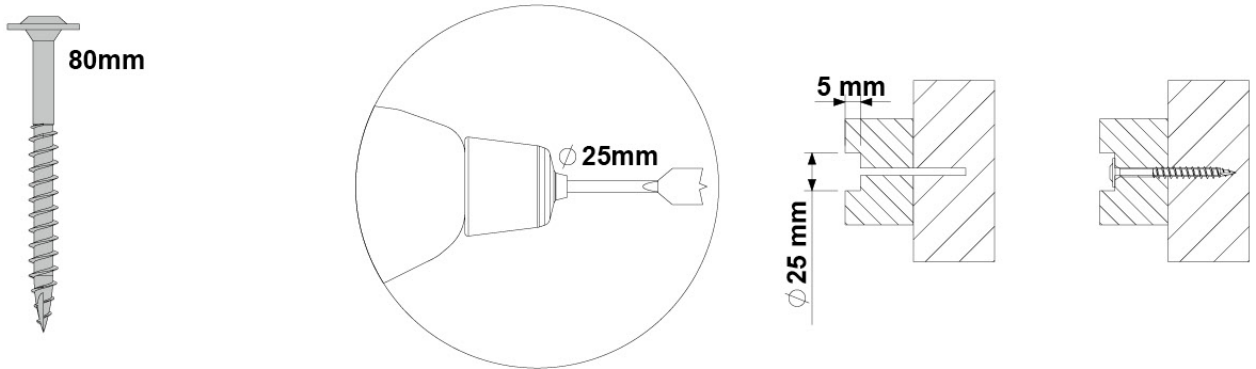
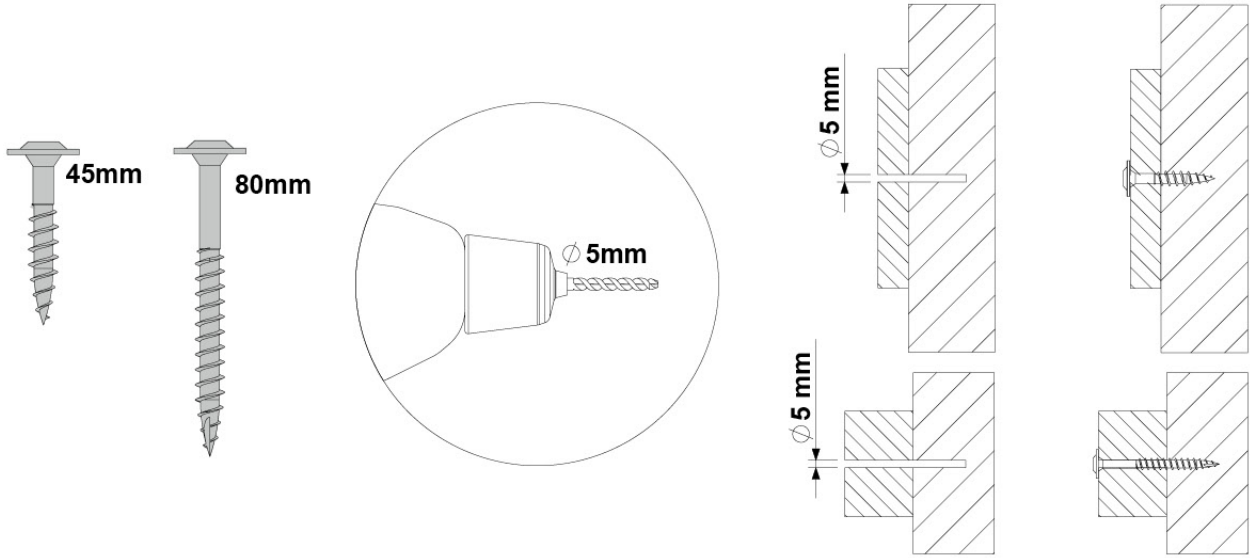
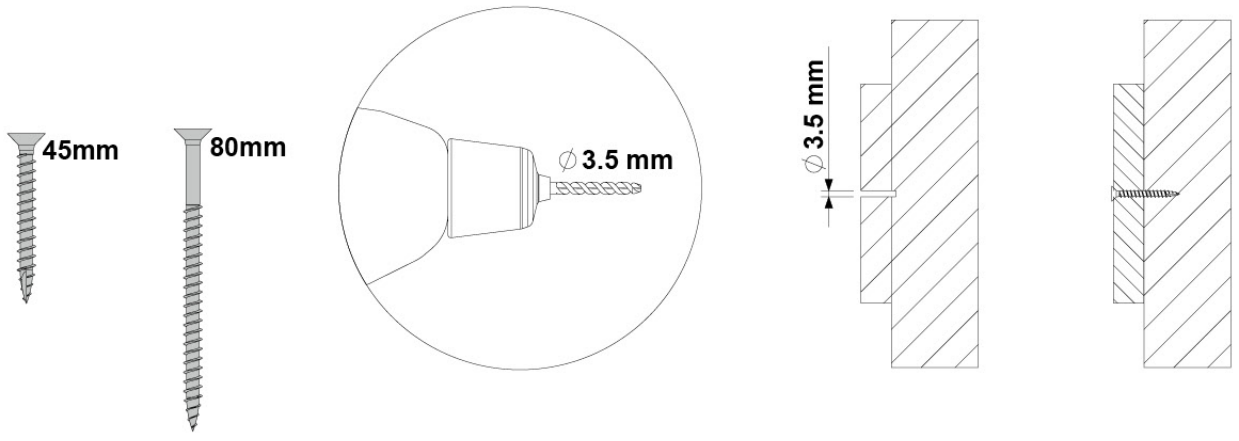
10\_460\_0019\_102\_26

3.1

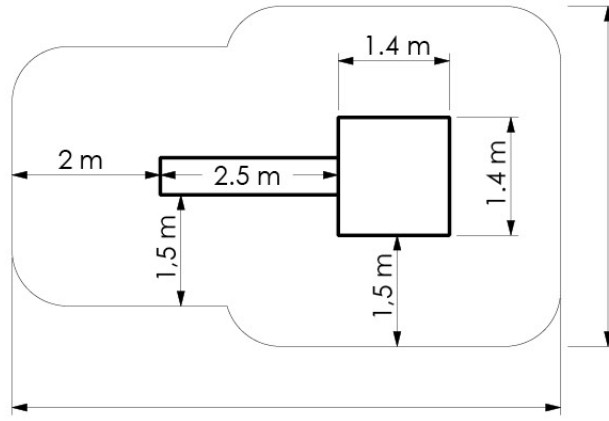
# Tools



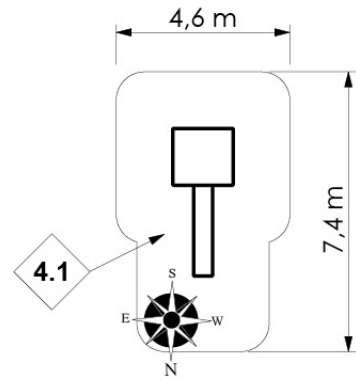
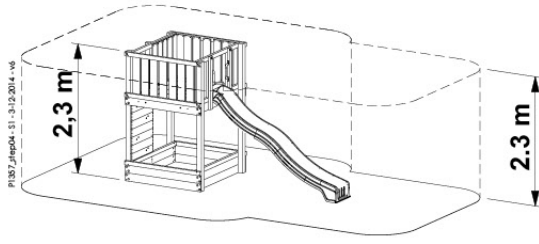
**3.2**



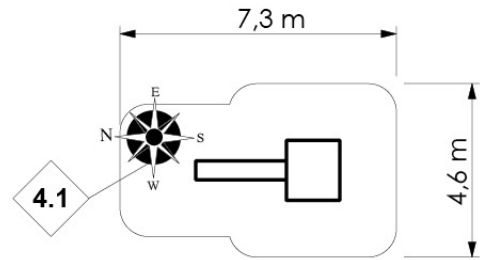
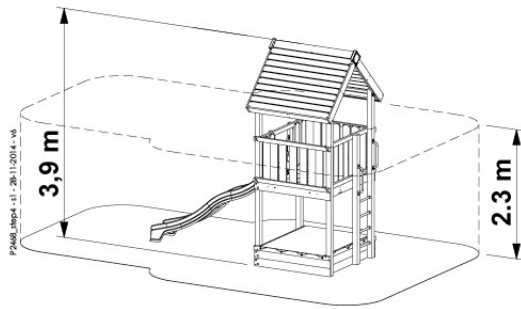
4



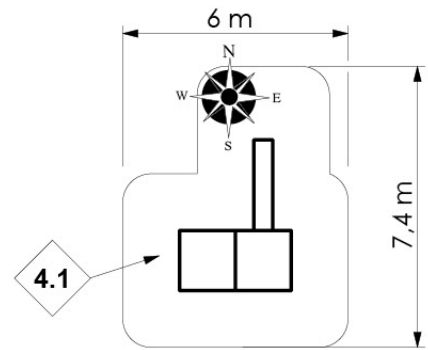
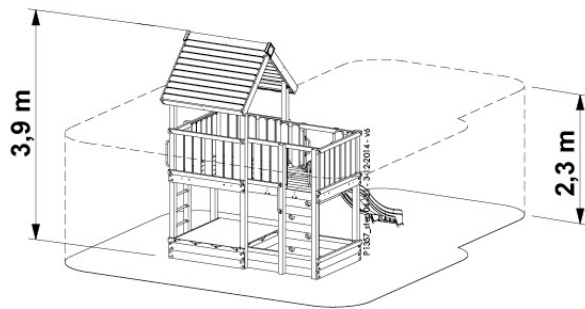
1



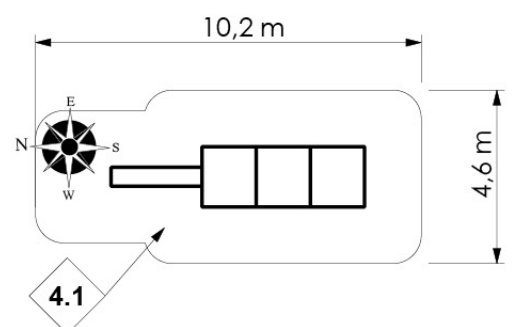
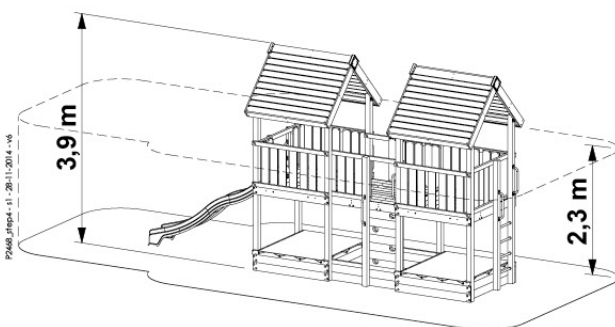
2



3

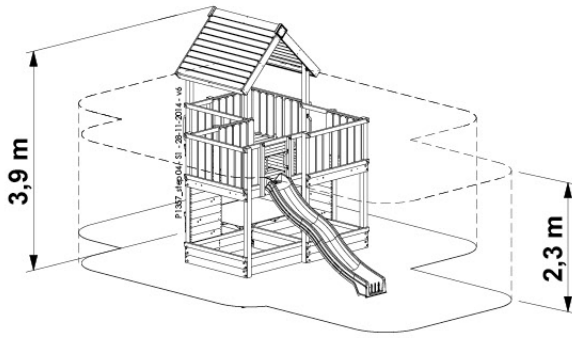


4

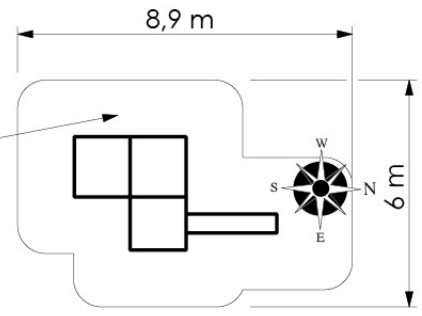




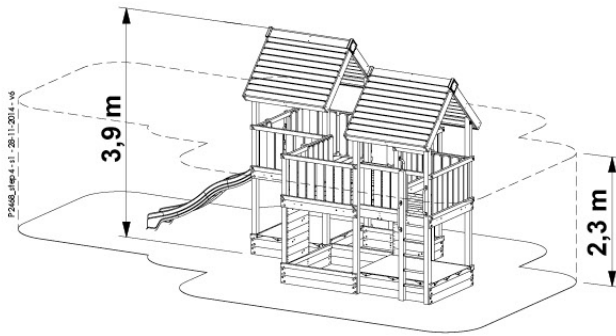
5



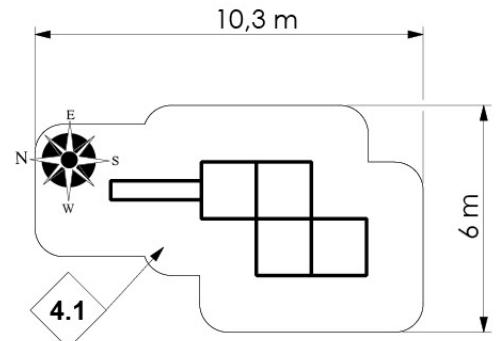
4.1



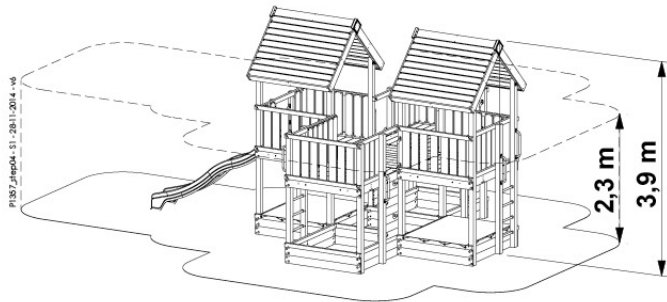
6



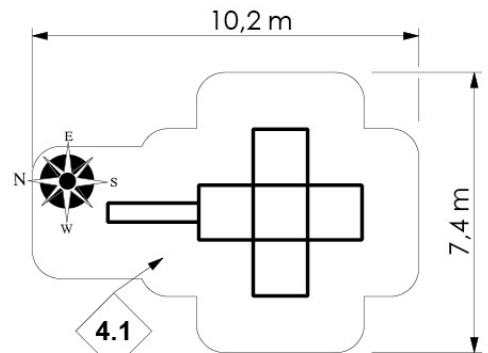
4.1



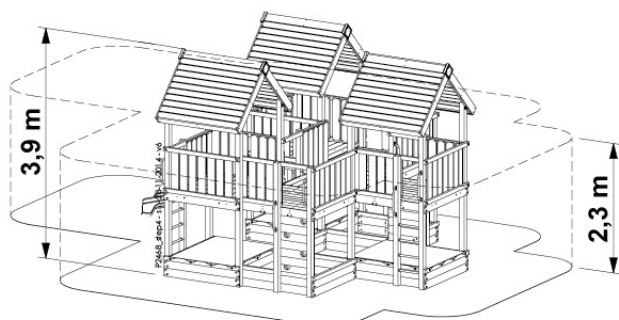
7



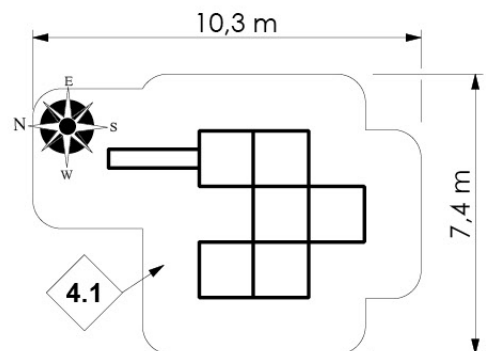
4.1



8



4.1

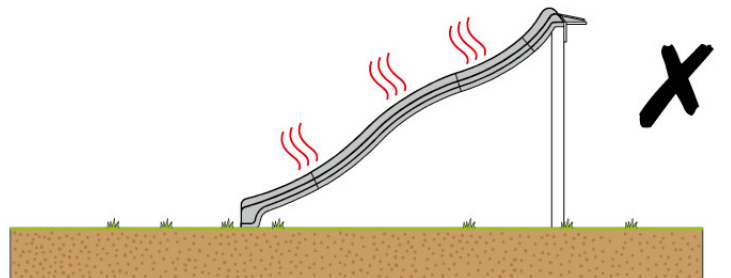
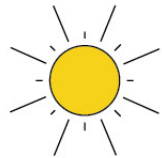
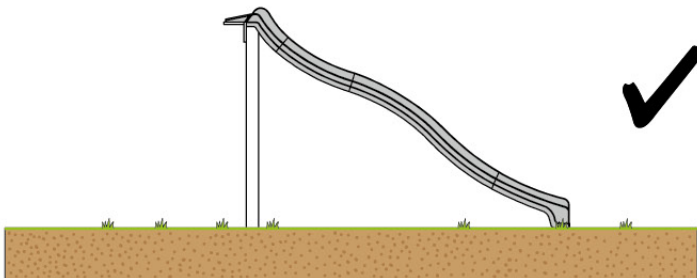
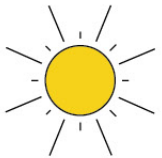
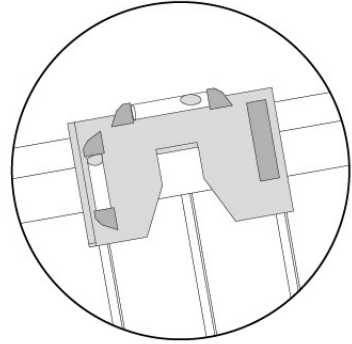
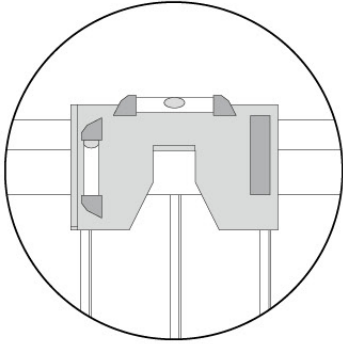
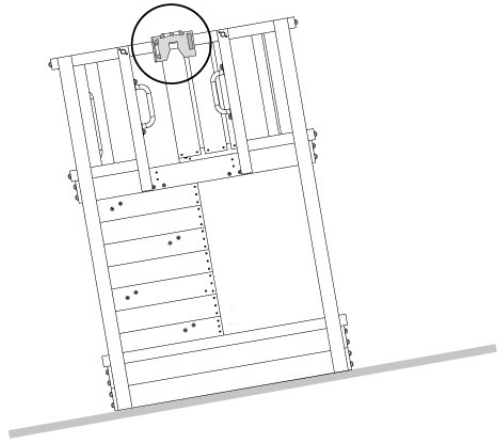
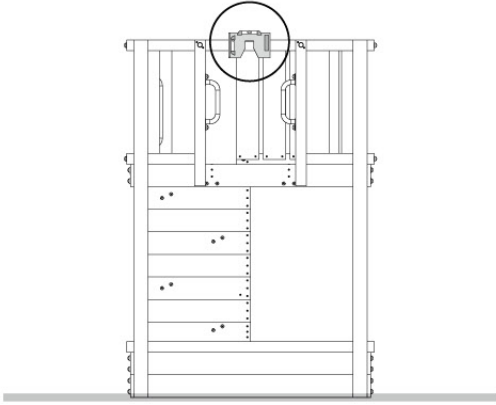


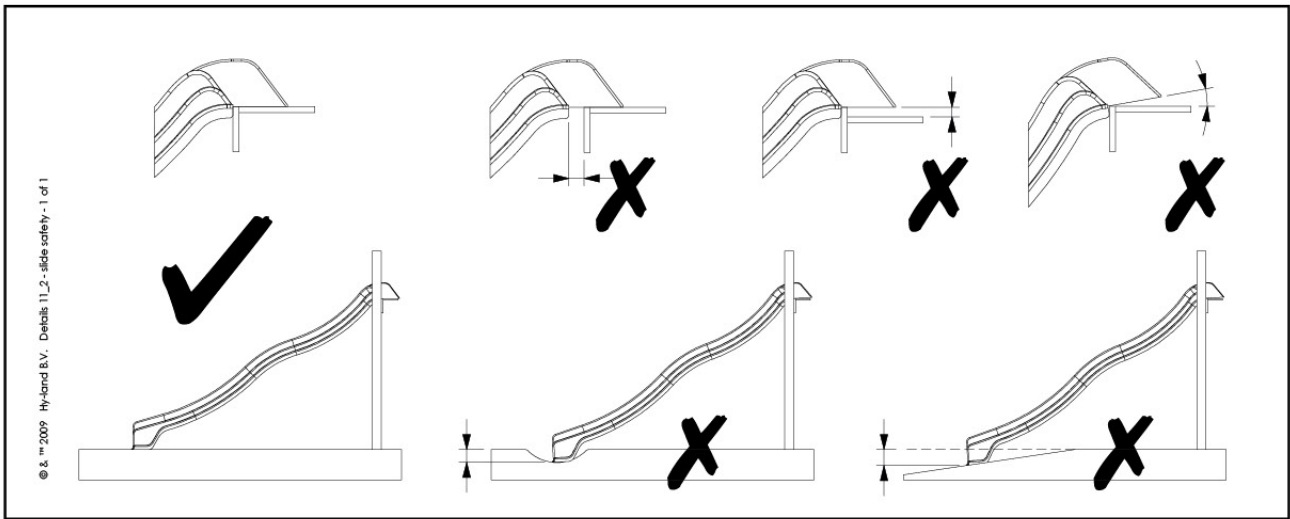


1x

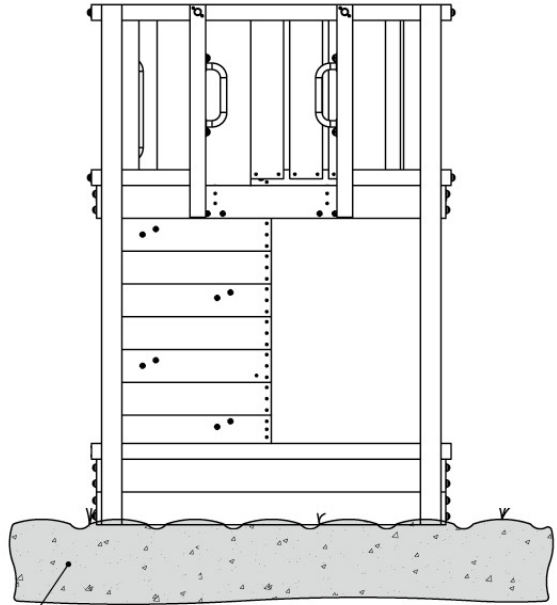
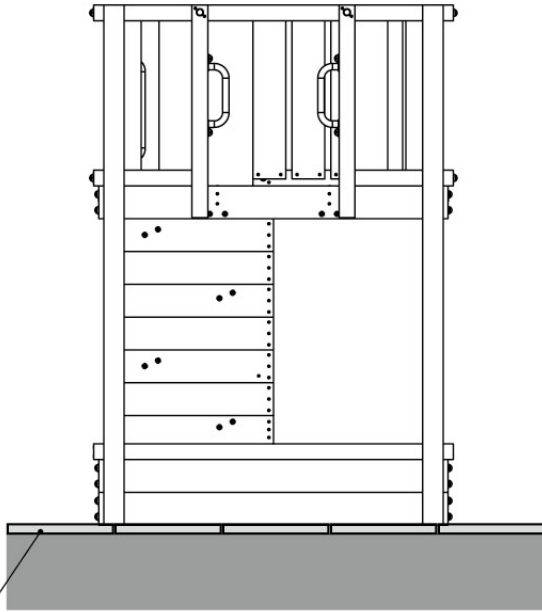


10\_209\_2031\_105\_05





4.1



**Part 1**

HY-LAND

General & Safety

1

4.2



4.2

**Part 1**

HY-LAND

General & Safety

1

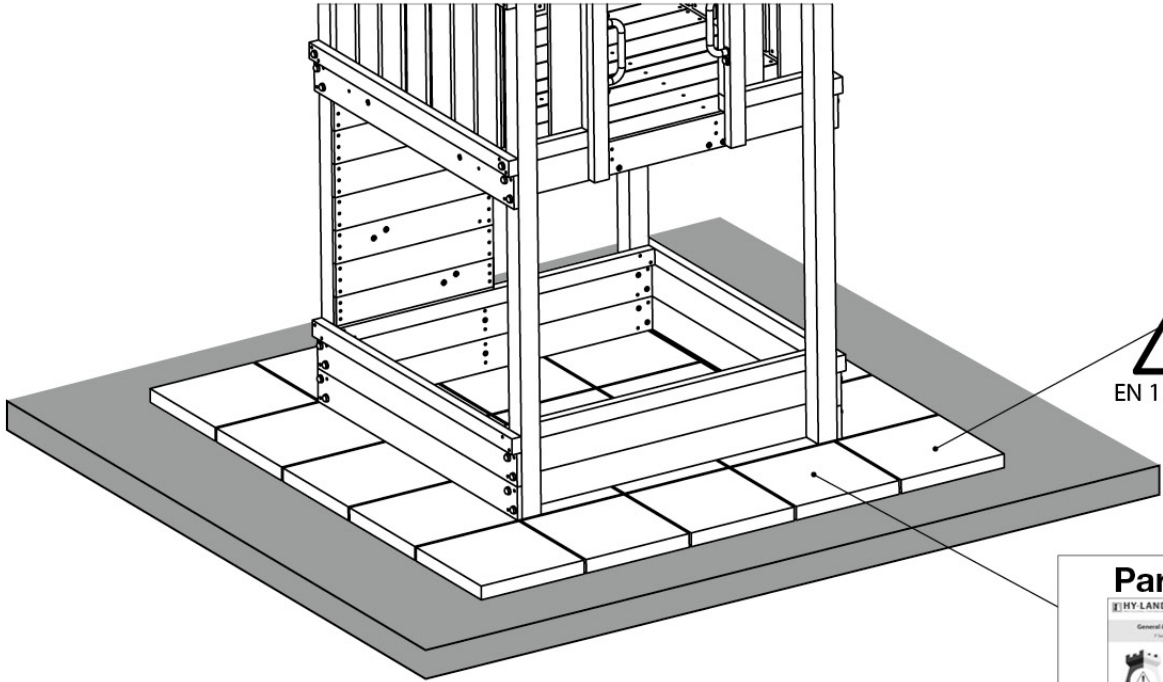
4.3



4.3



4.2



EN 1176:2017

**i**

**Part 1**

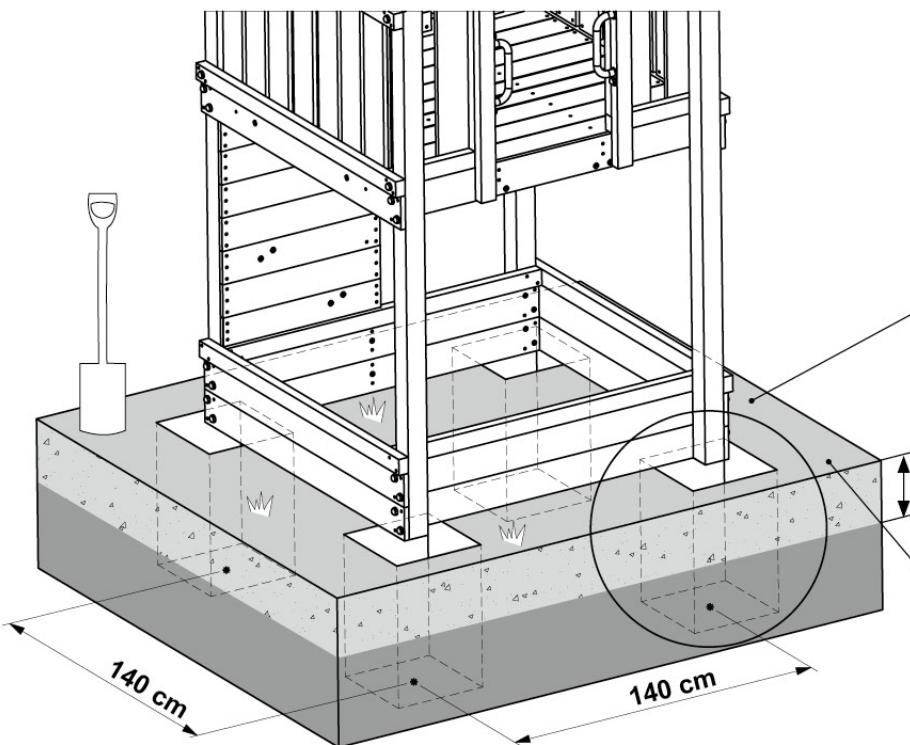
HY-LAND

General & Safety

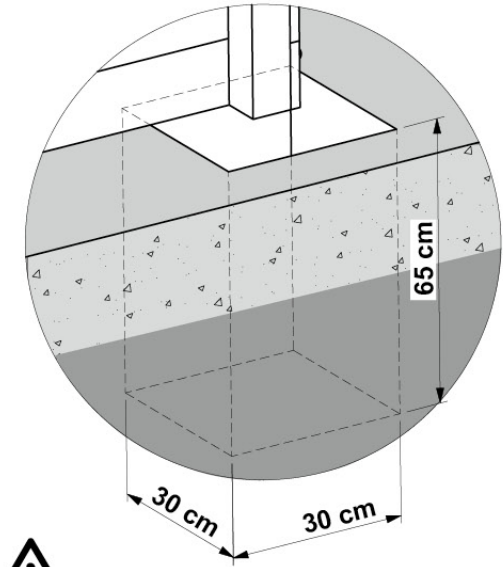
1

4.2

4.3



EN 1176:2017



**i**

**Part 1**

HY-LAND

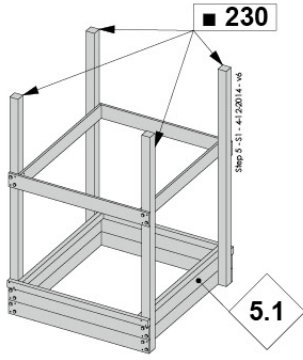
General & Safety

1

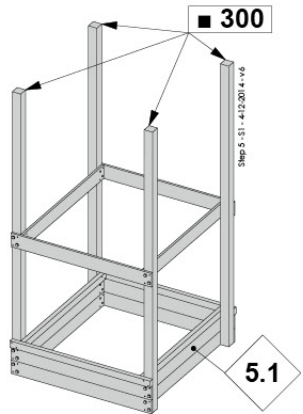
4.3

5

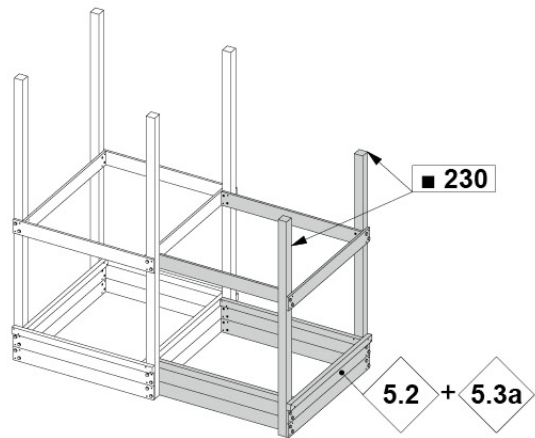
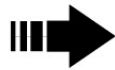
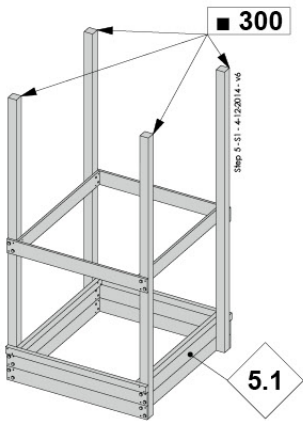
1



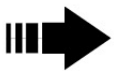
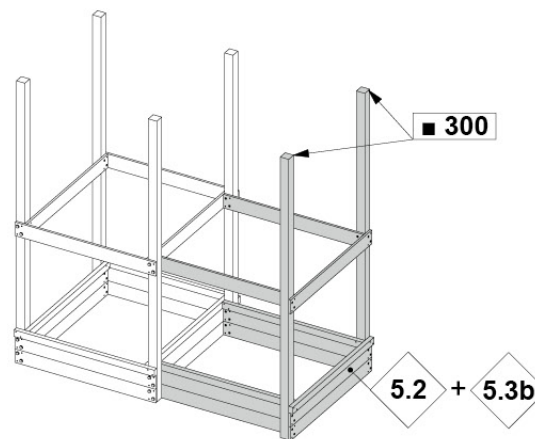
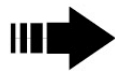
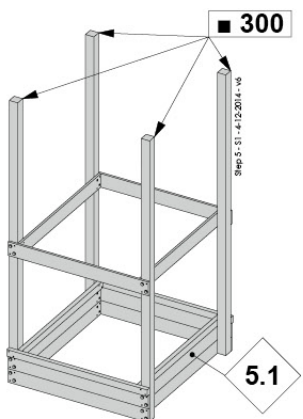
2

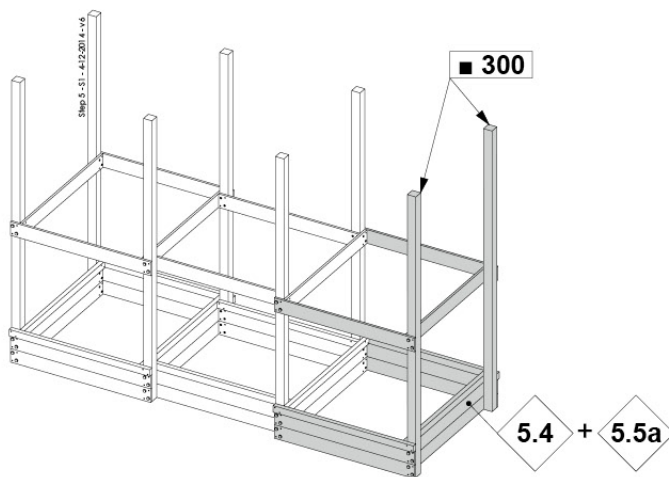


3



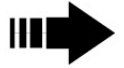
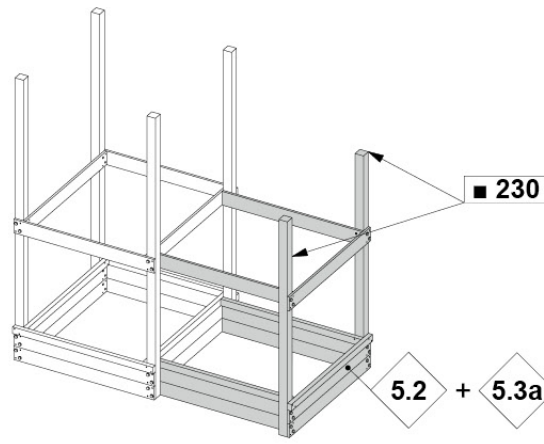
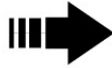
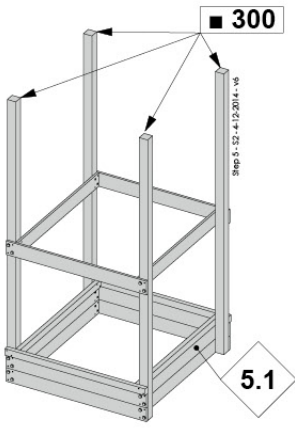
4



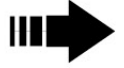
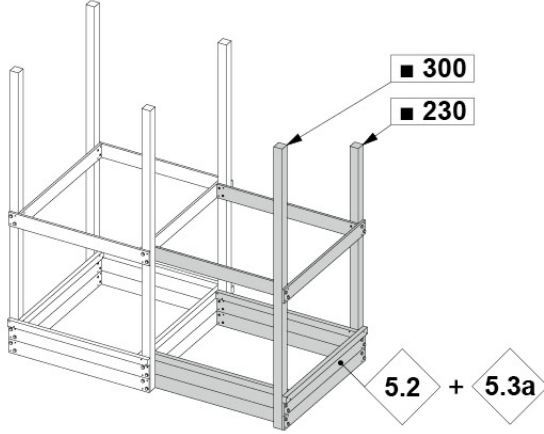
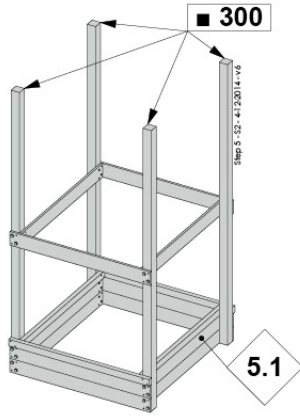


5

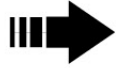
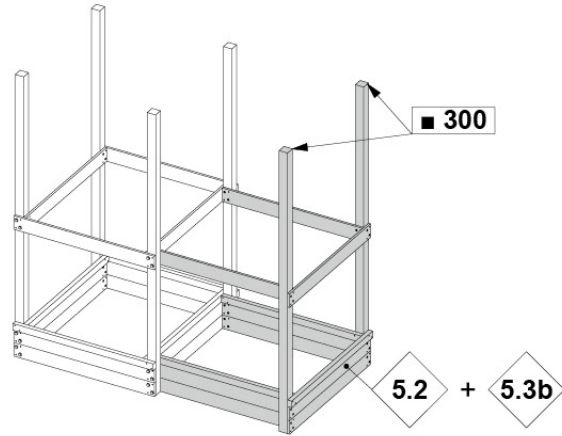
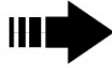
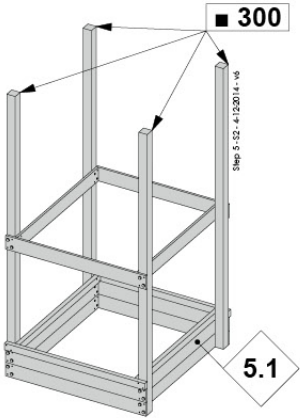
5



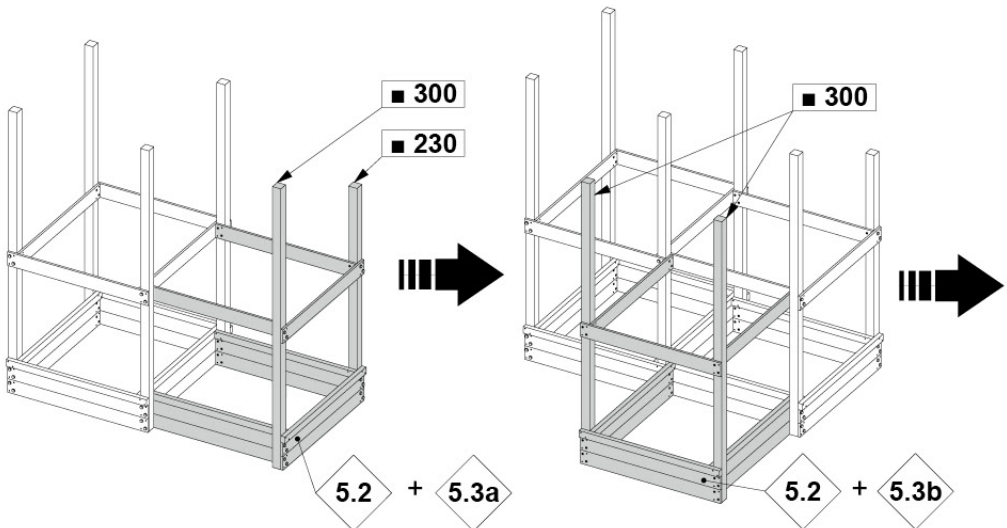
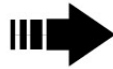
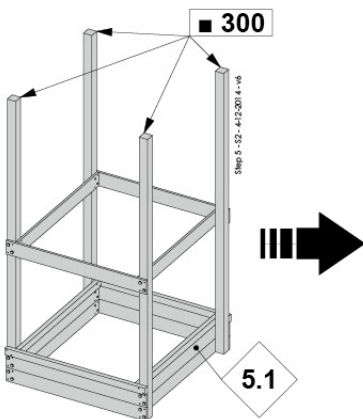
6



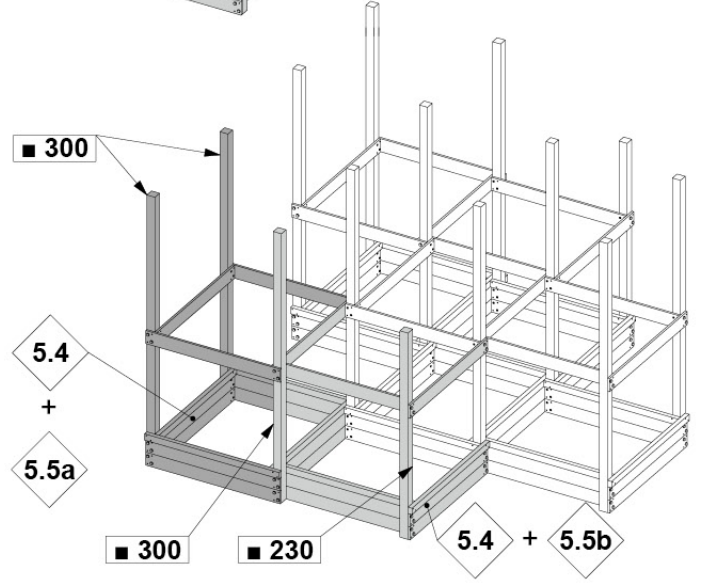
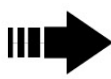
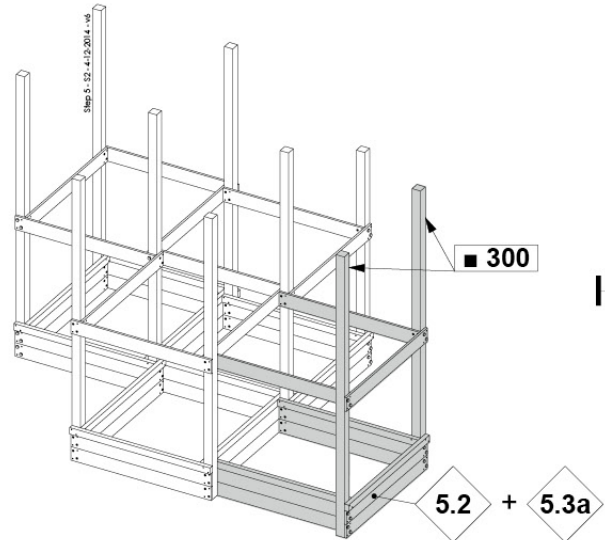
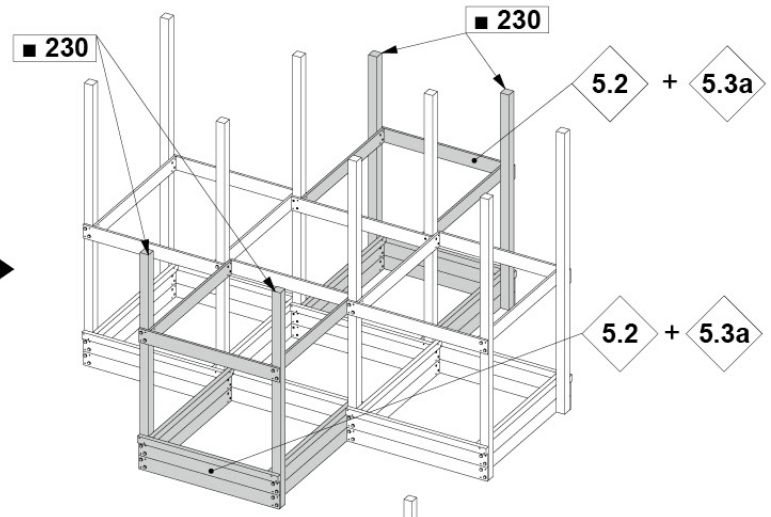
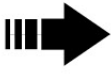
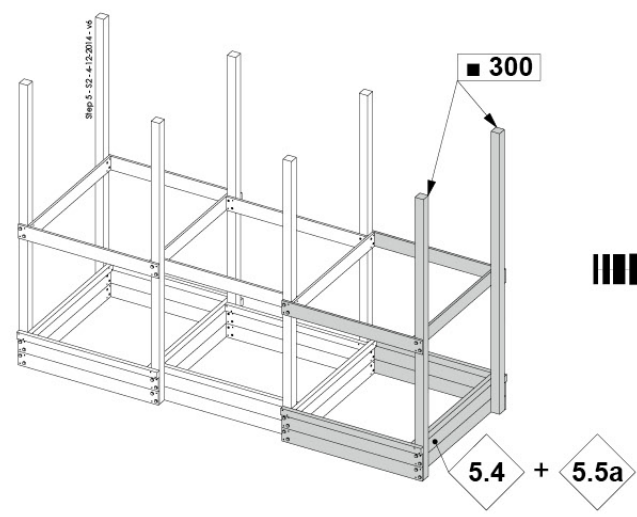
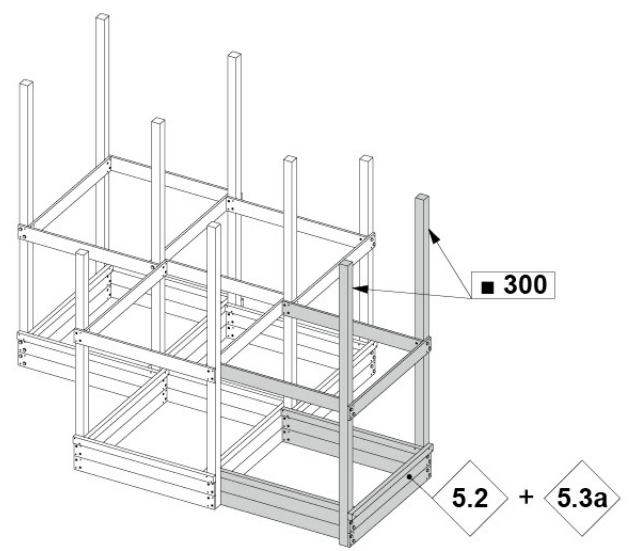
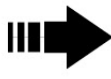
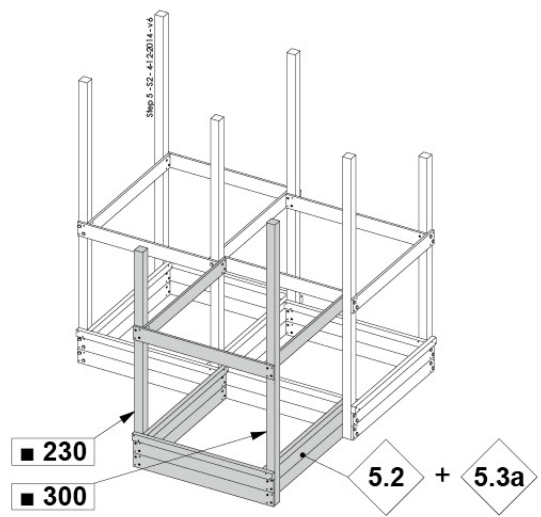
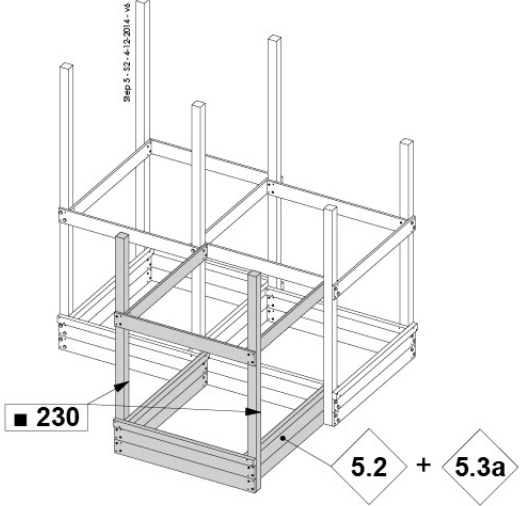
7



8

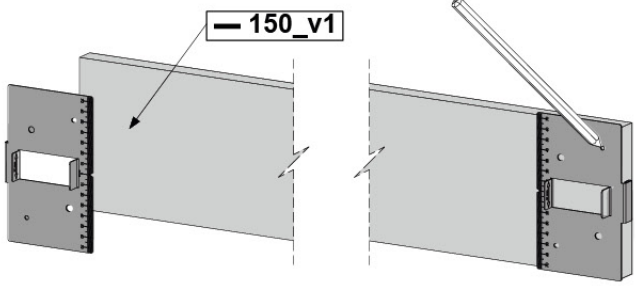






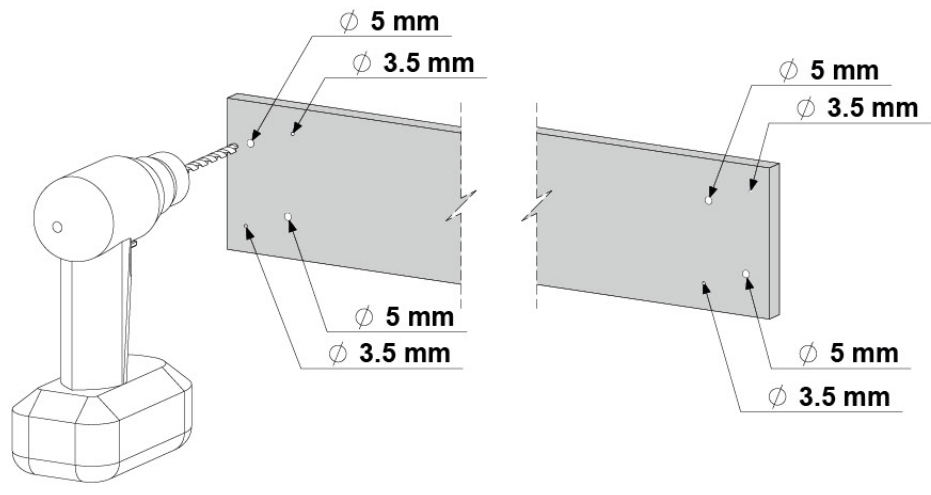
5

1

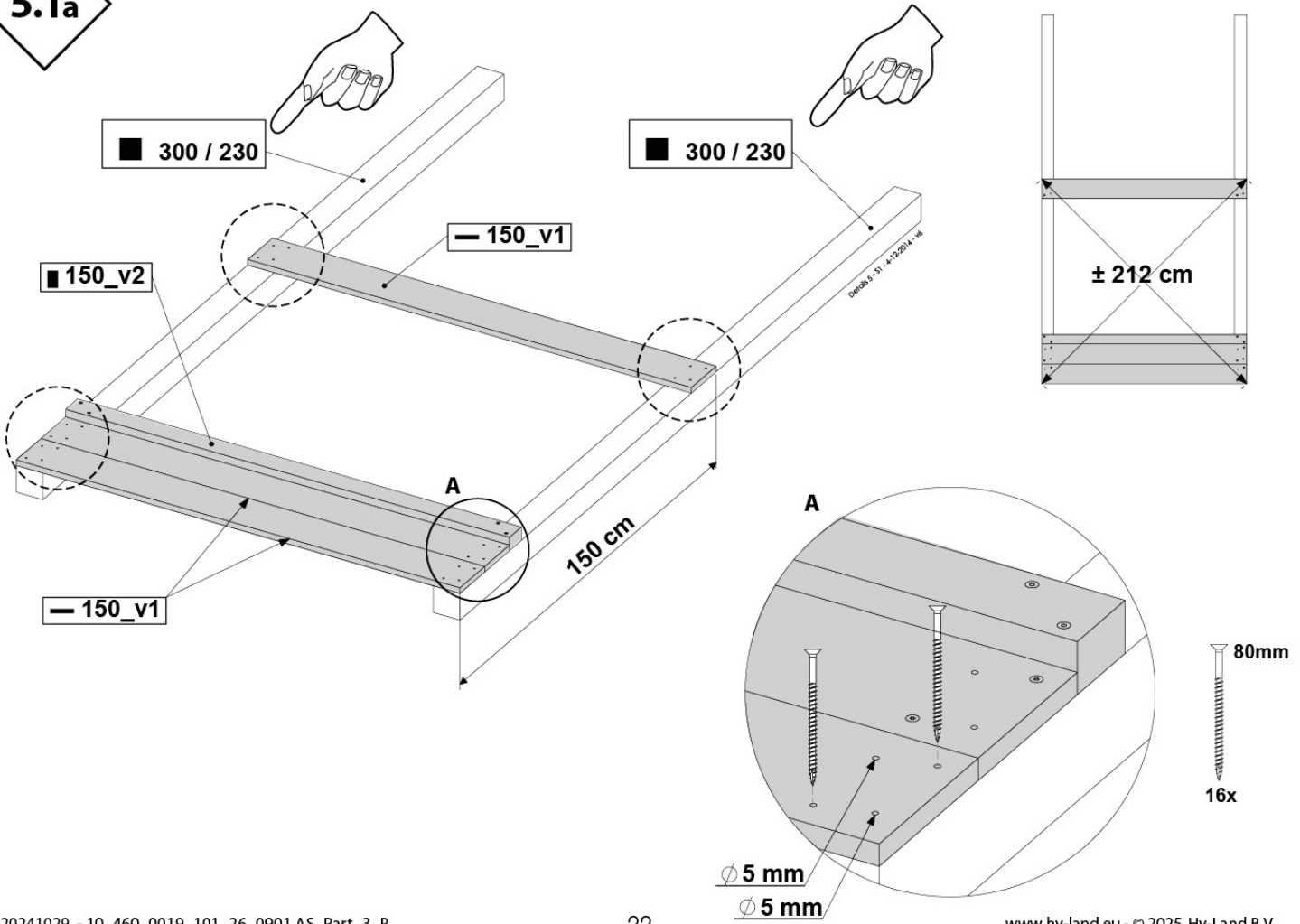


1	2	3	4	5	6	7	8
-	4x	4x	8x	4x	8x	8x	12x

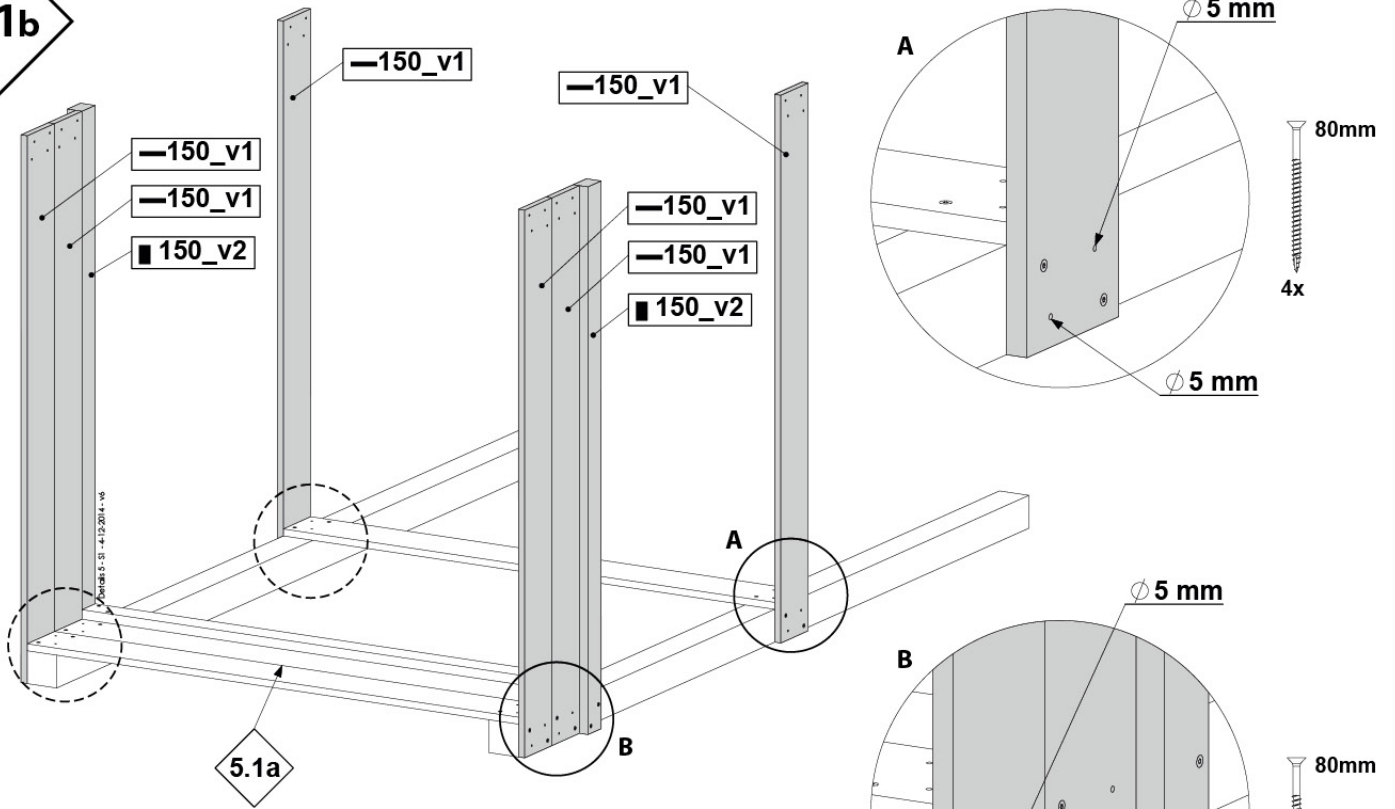
2



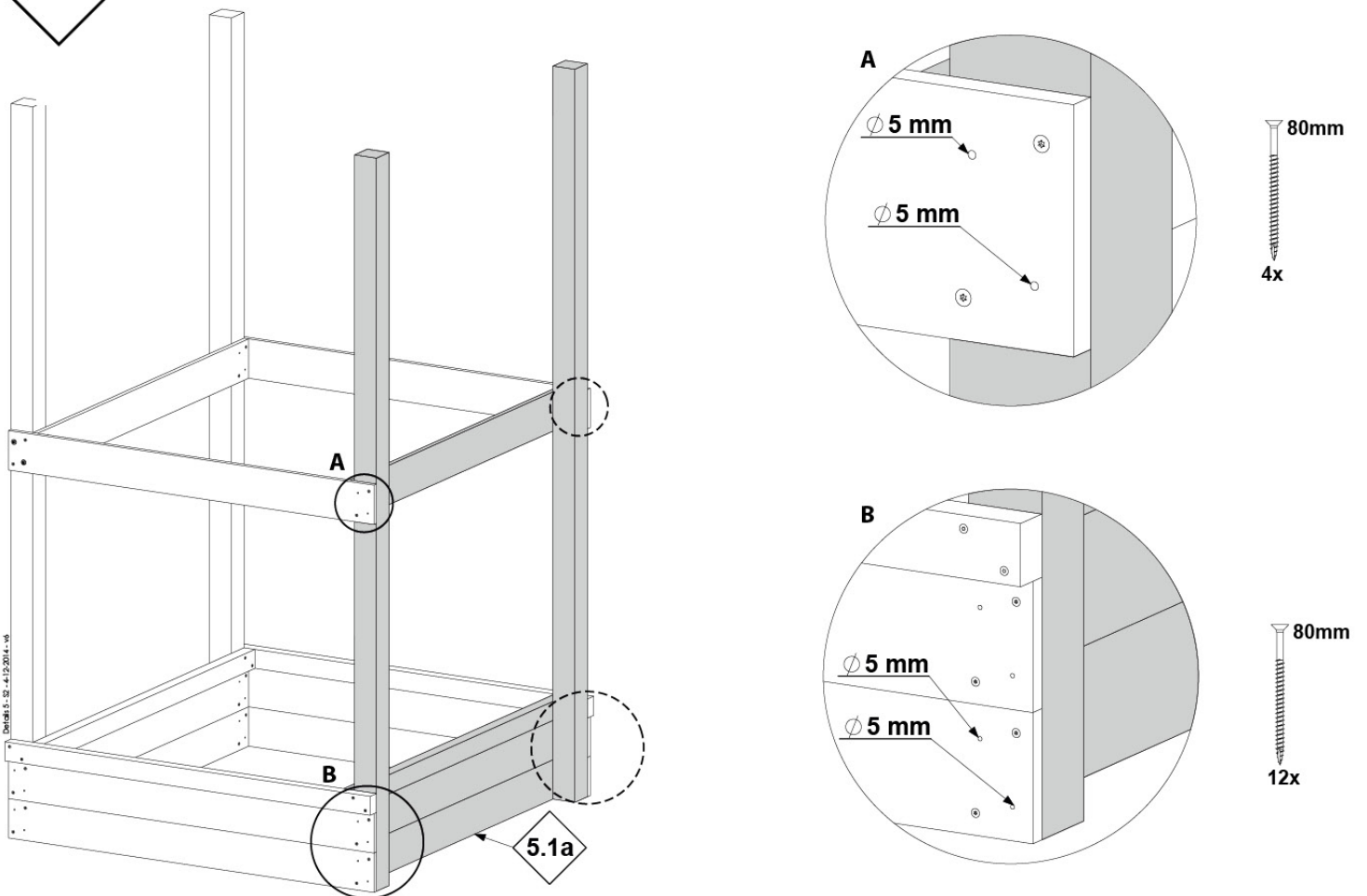
5.1a



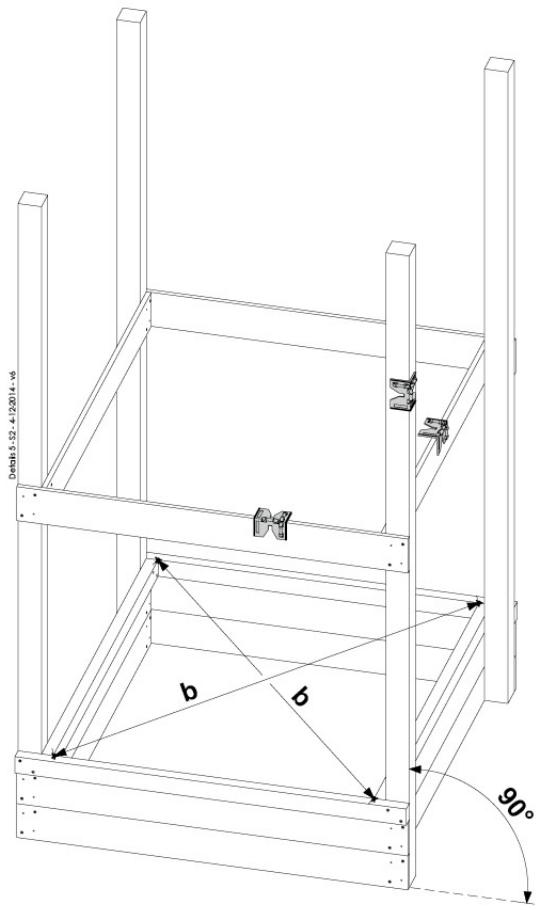
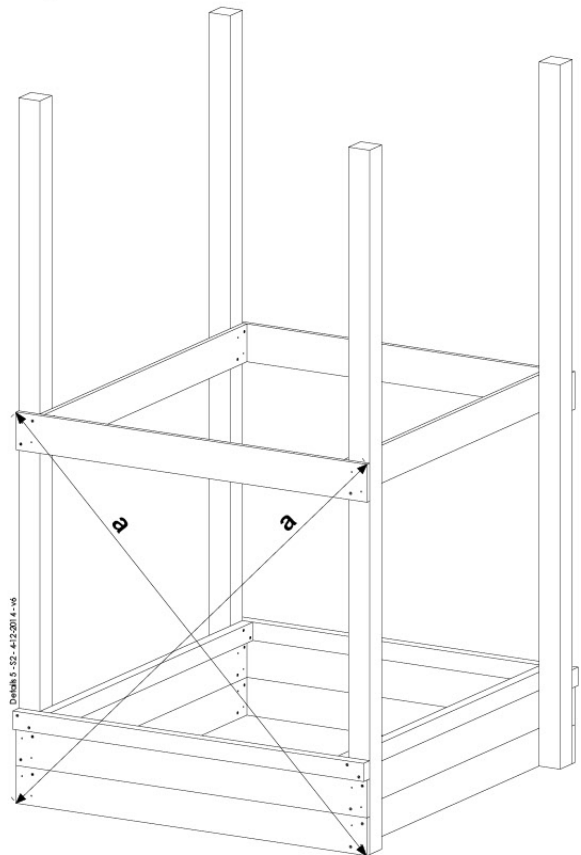
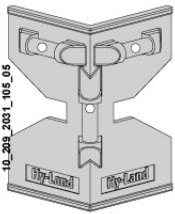
# 5.1b



# 5.1c

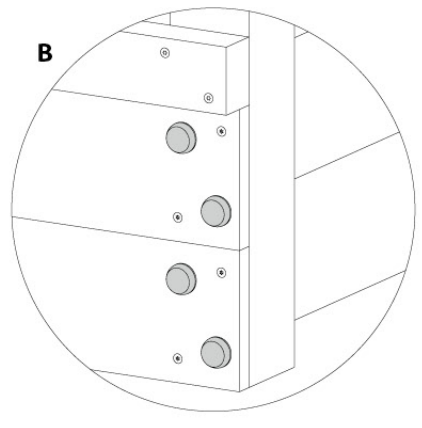
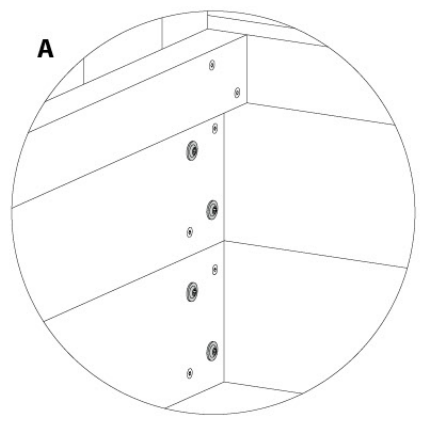
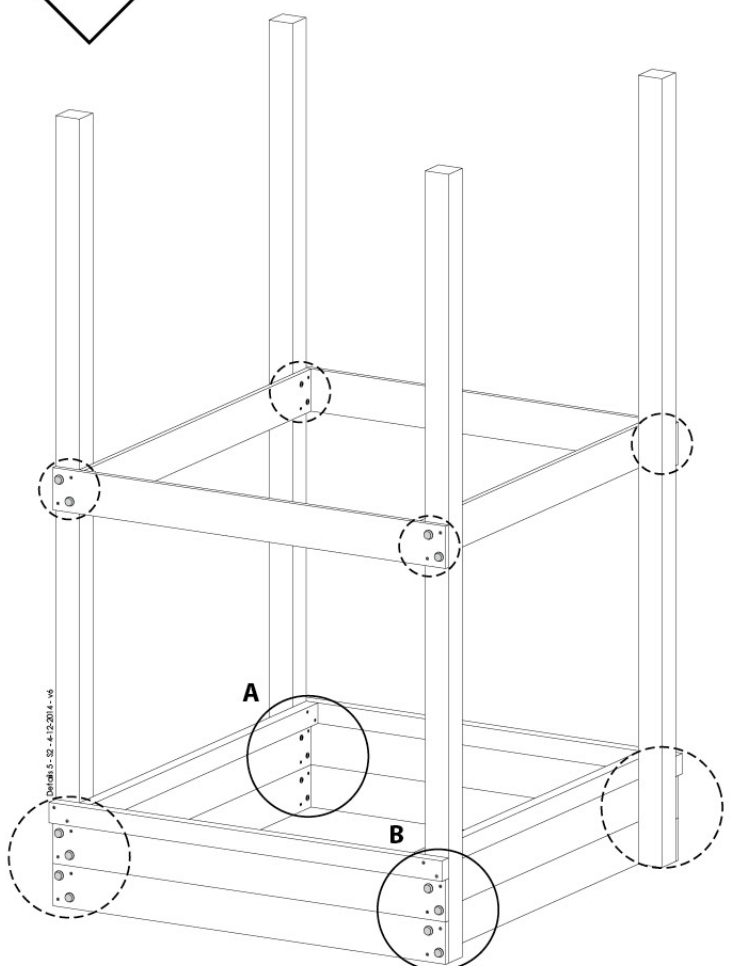


**5.1d**

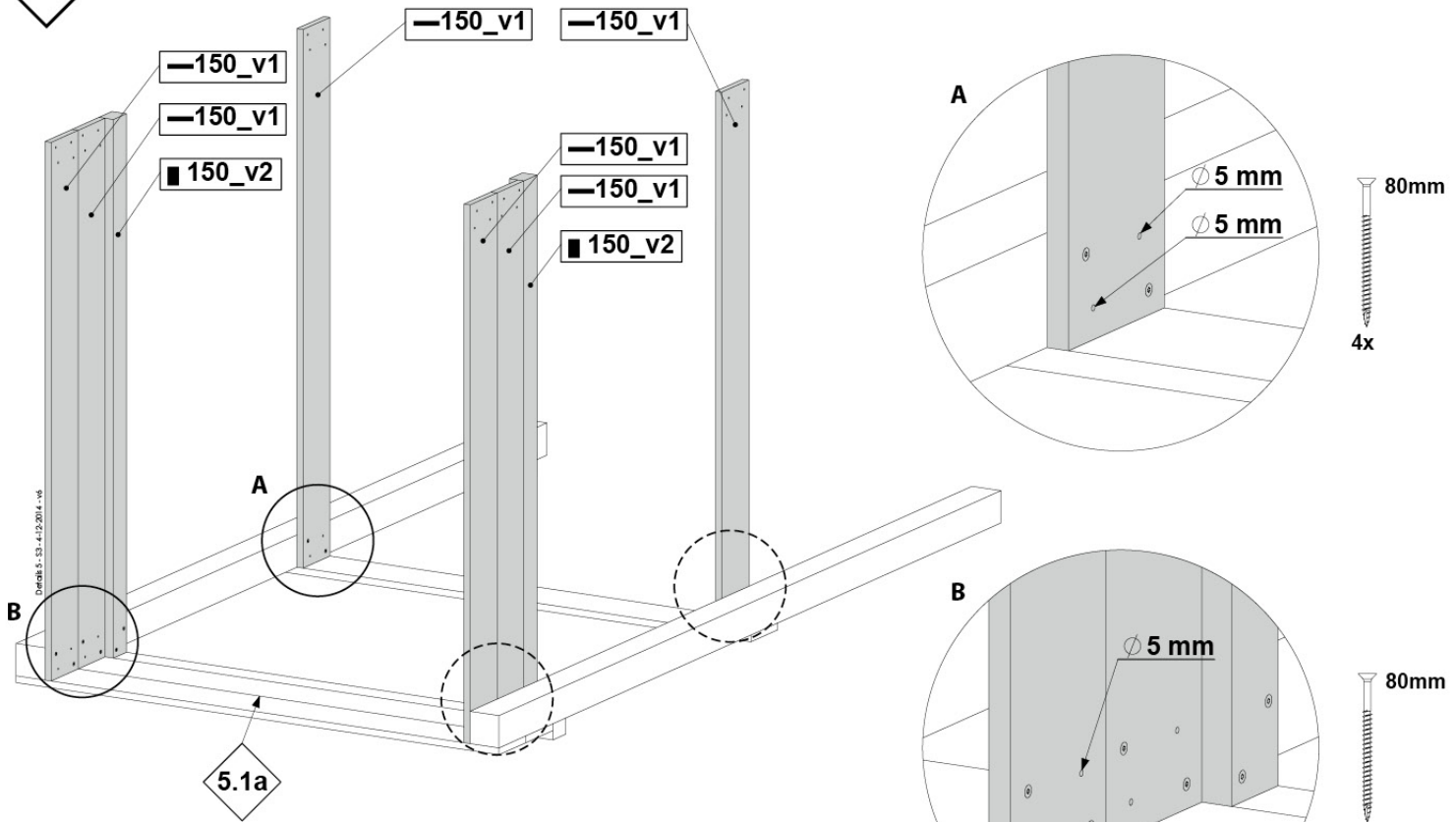


a = a  
b = b

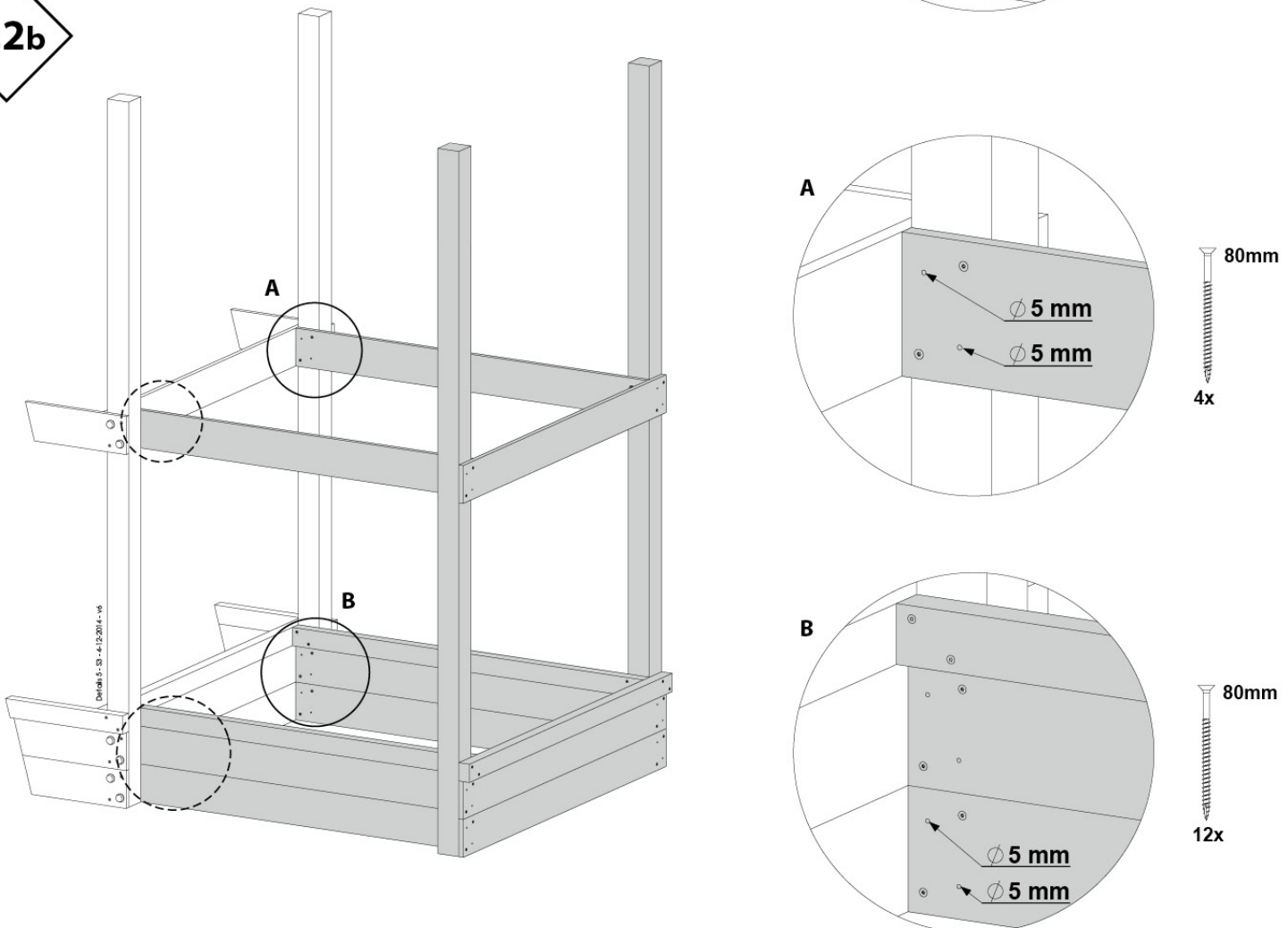
**5.1e**



**5.2a**

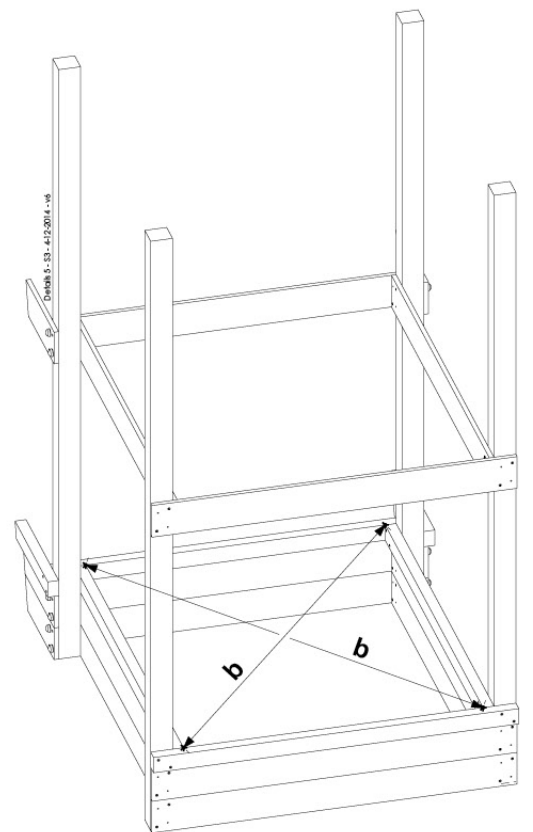
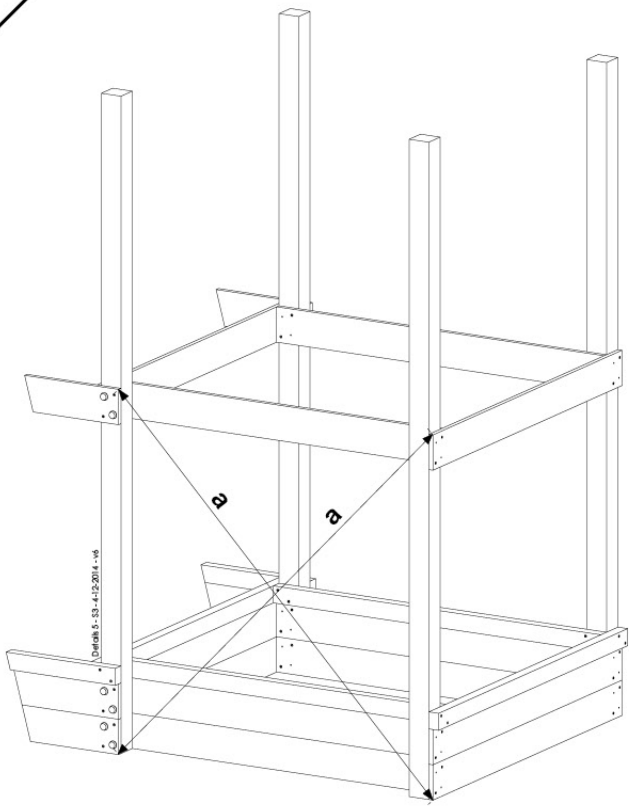


**5.2b**



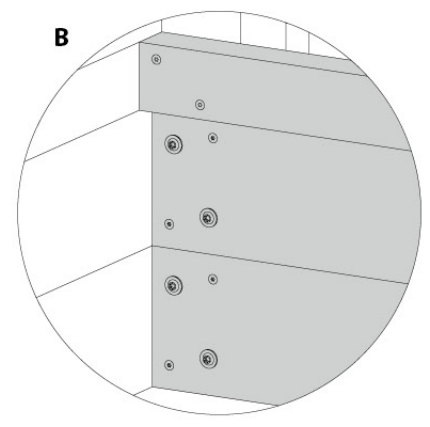
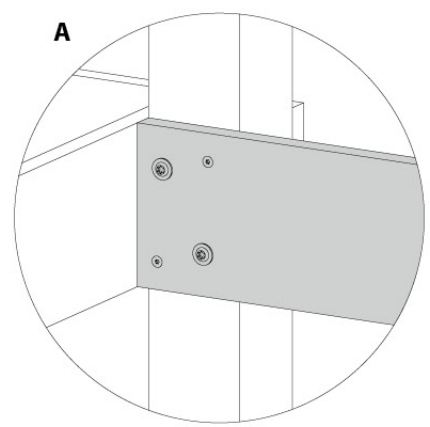
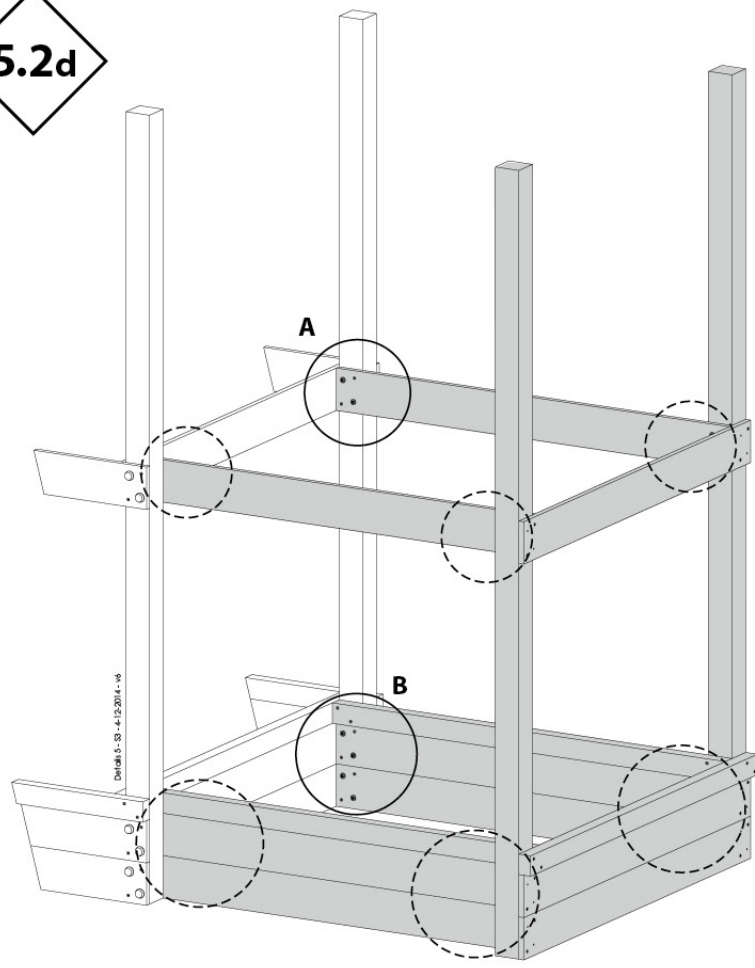


**5.2c**

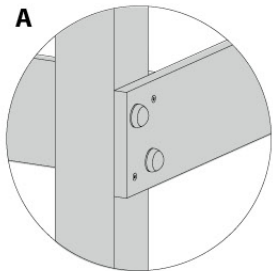
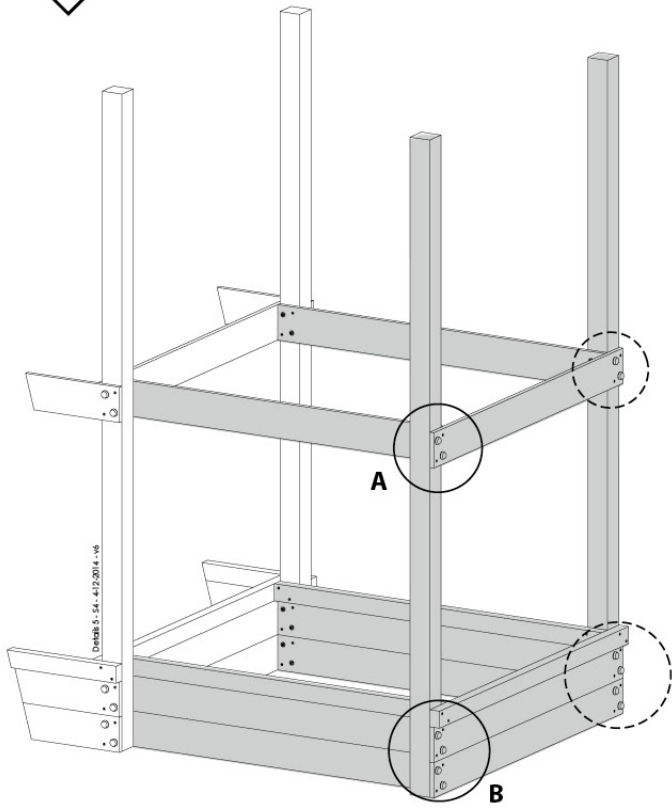


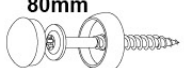
**a = a**  
**b = b**

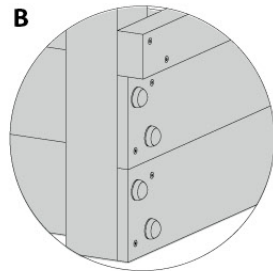
**5.2d**

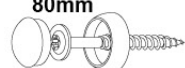


**5.3a**

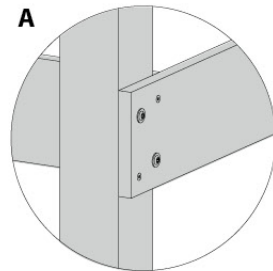
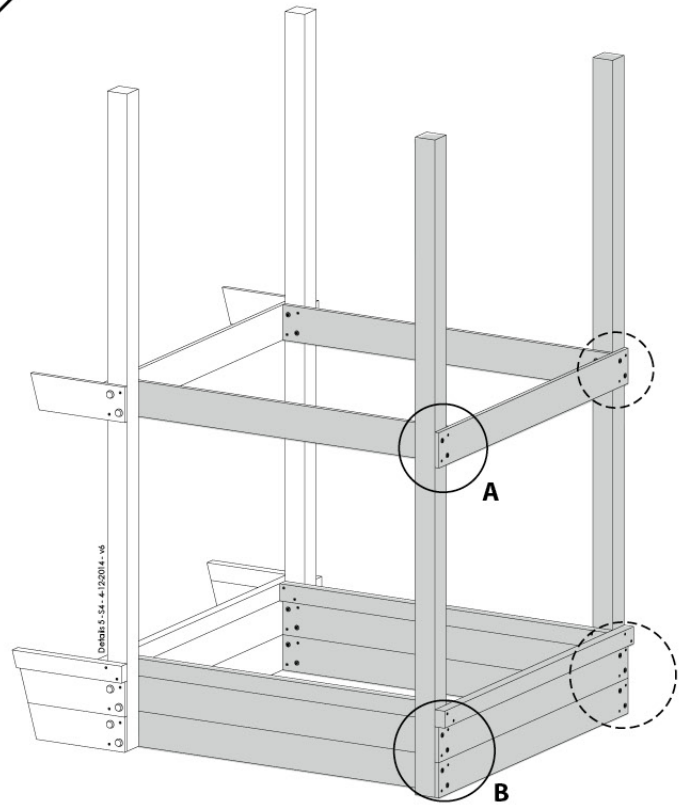


**80mm**  
 **4x**

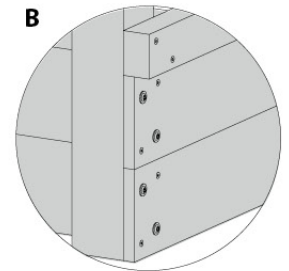


**80mm**  
 **8x**

**5.3b**

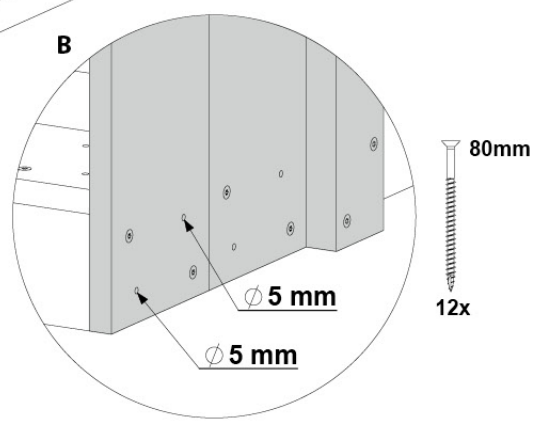
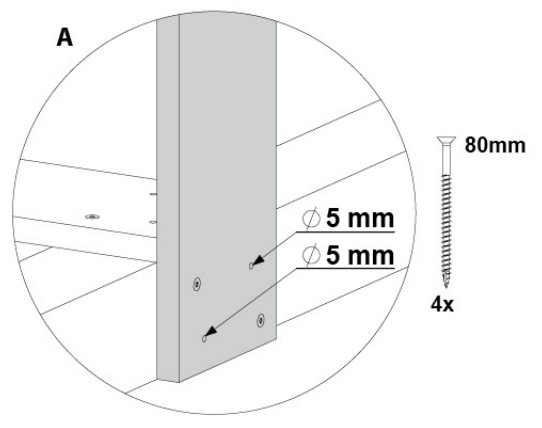
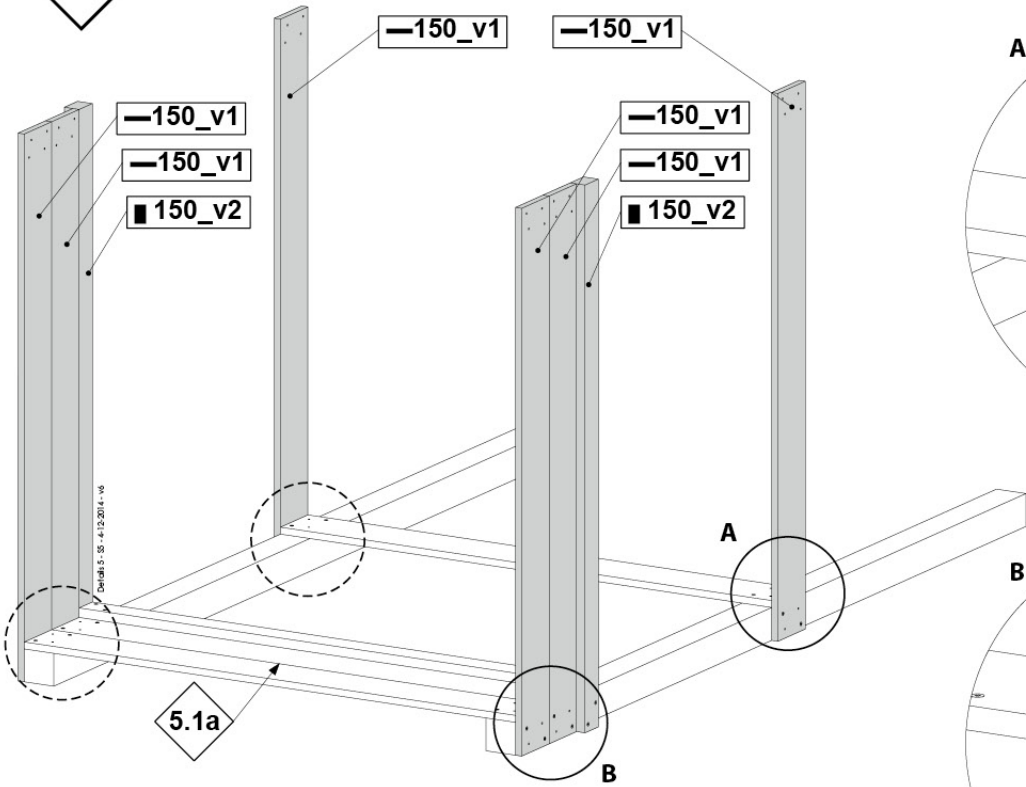


**80mm**  
 **4x**

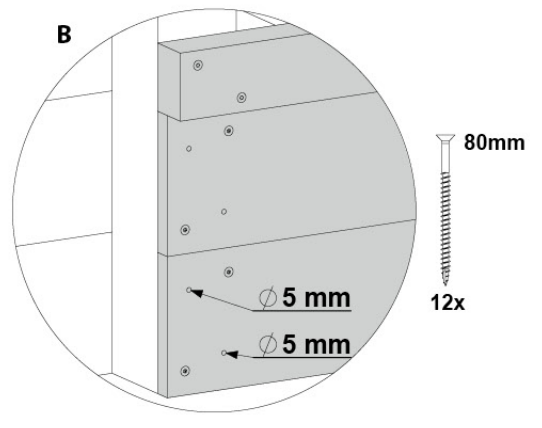
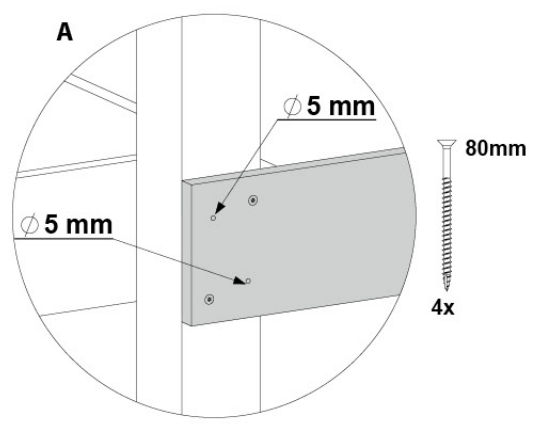
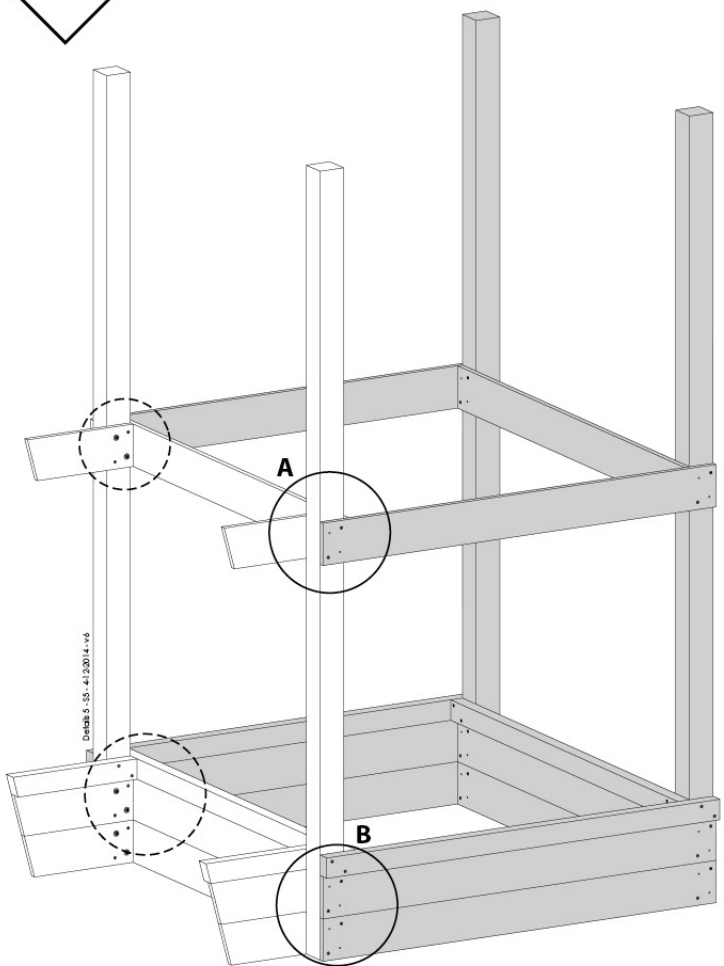


**80mm**  
 **8x**

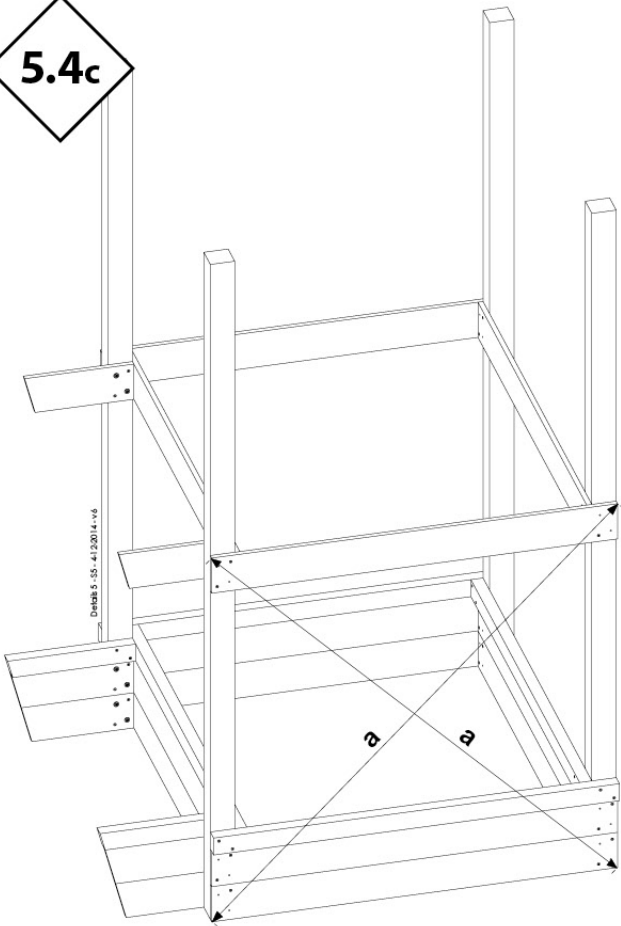
# 5.4a



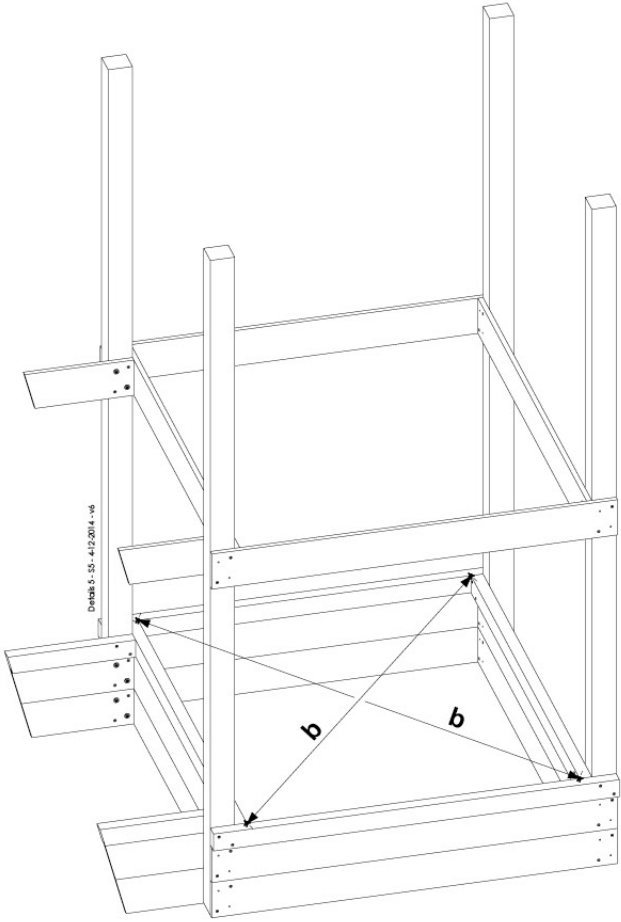
# 5.4b



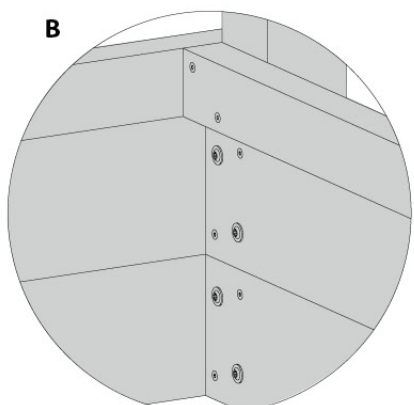
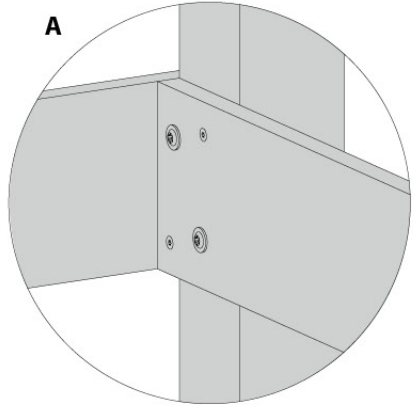
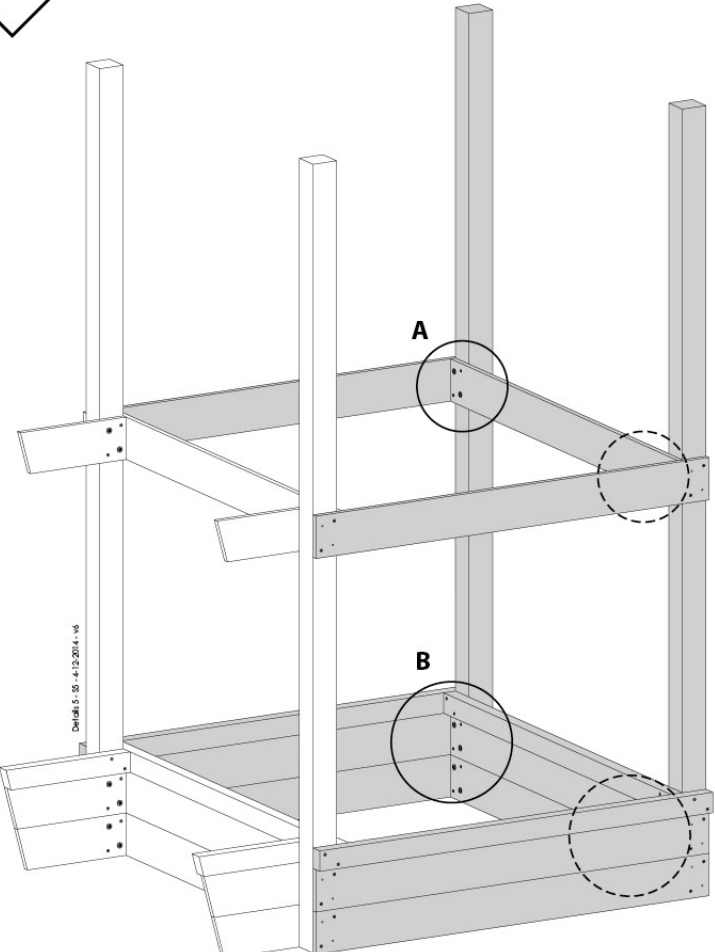
**5.4c**



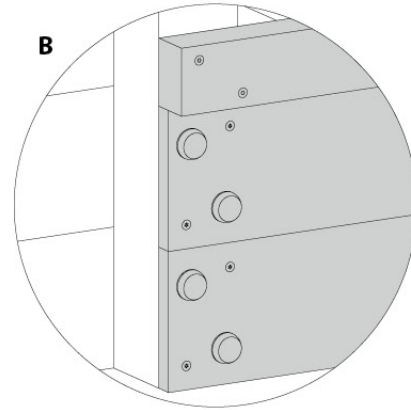
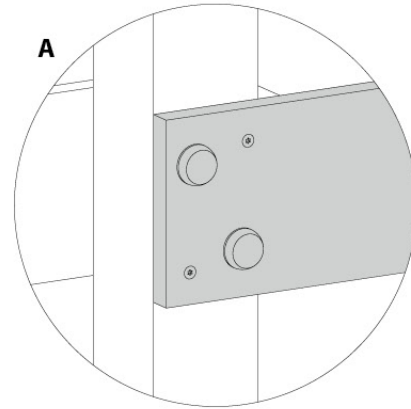
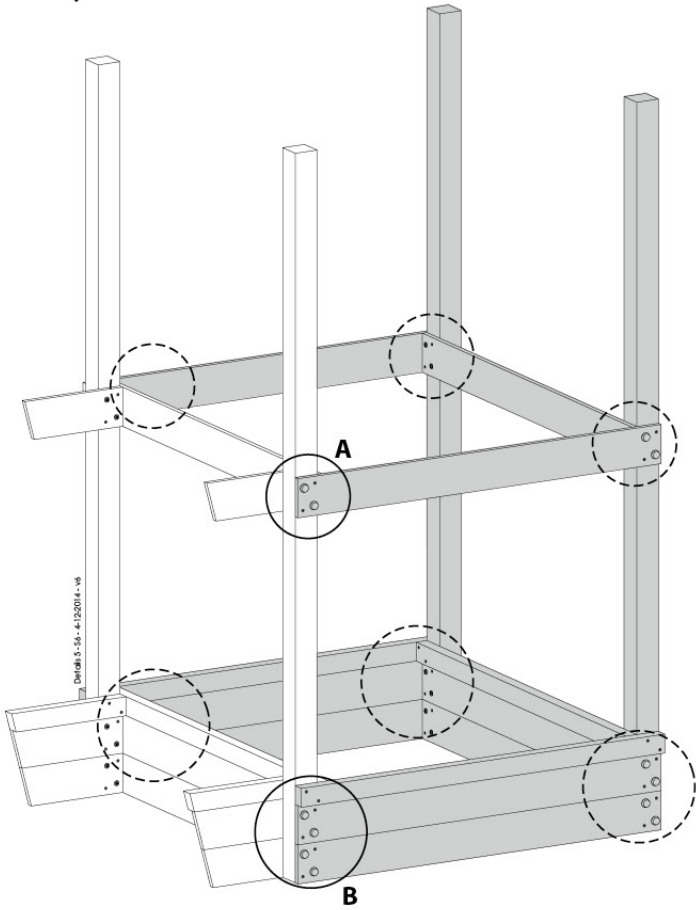
**a = a**  
**b = b**



**5.4d**

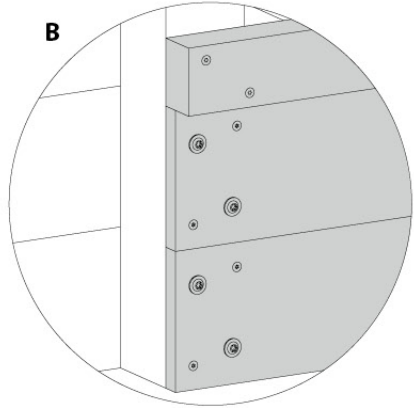
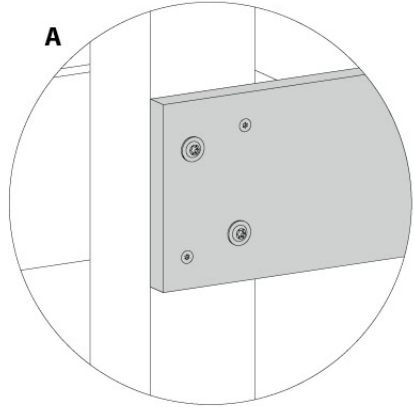
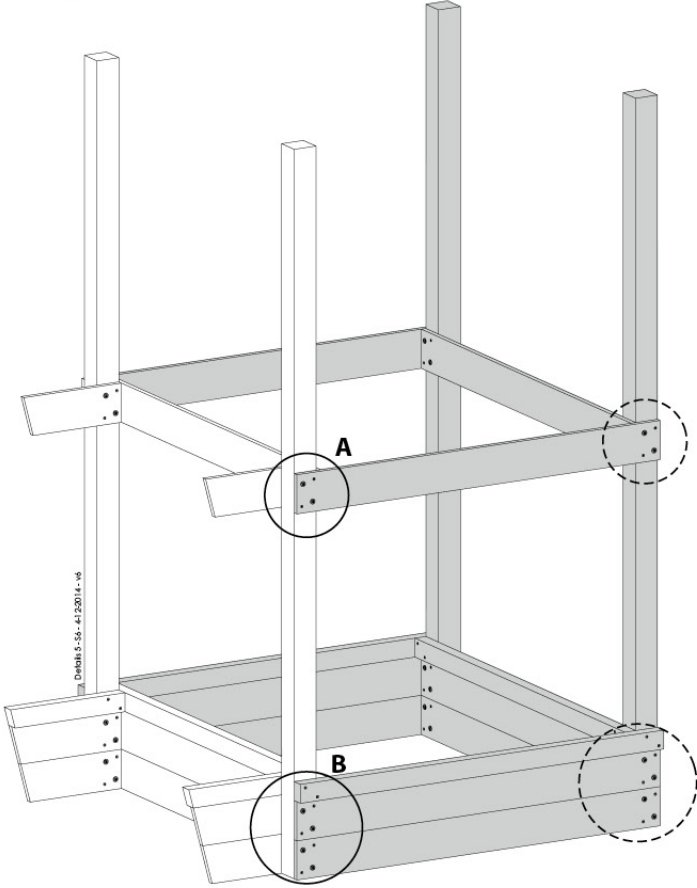


**5.5a**

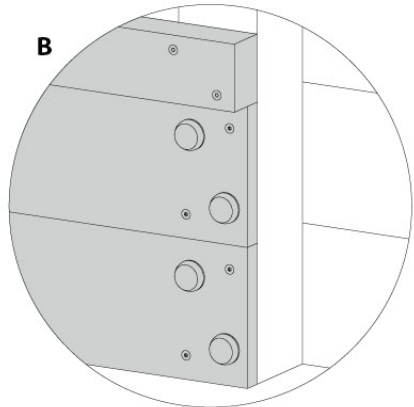
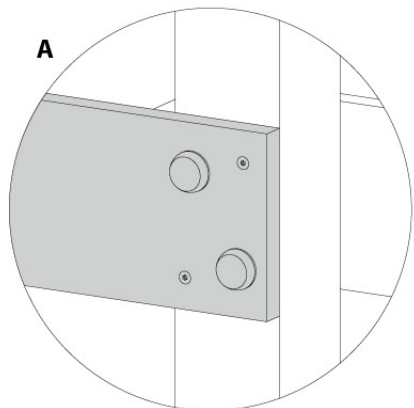
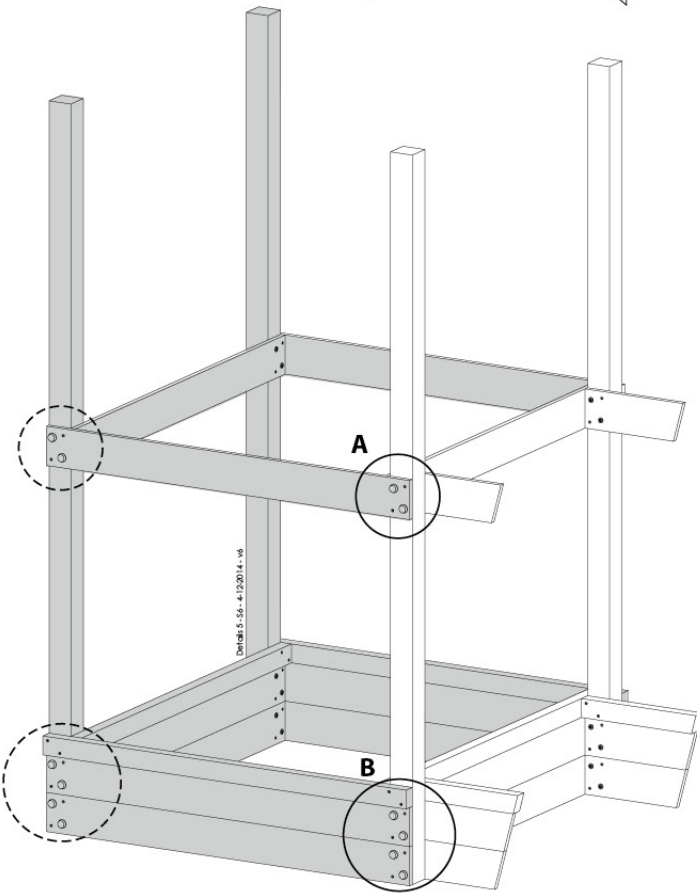




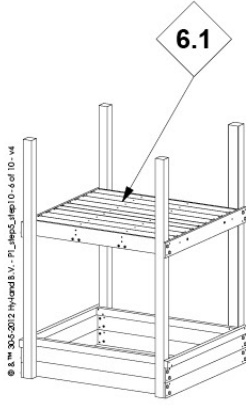
**5.5b**



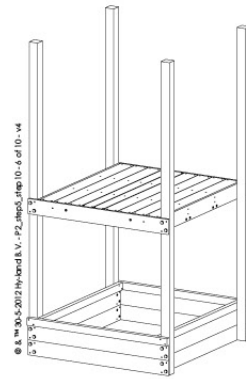
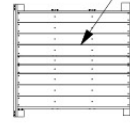
180°



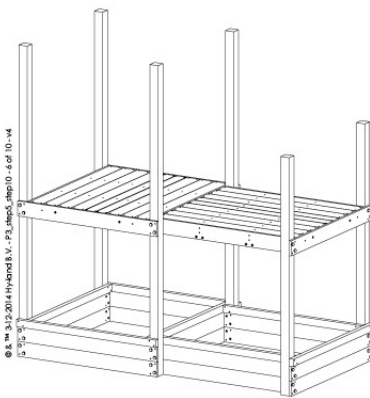
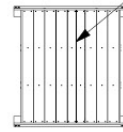
6



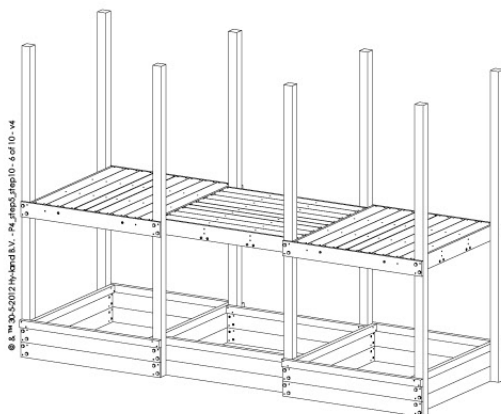
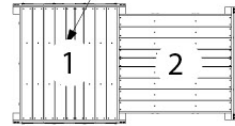
6.1



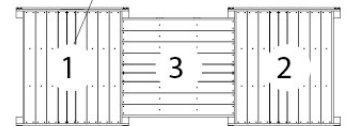
6.1



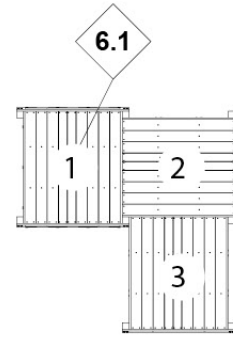
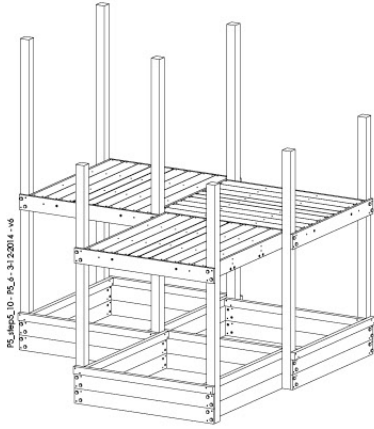
6.1



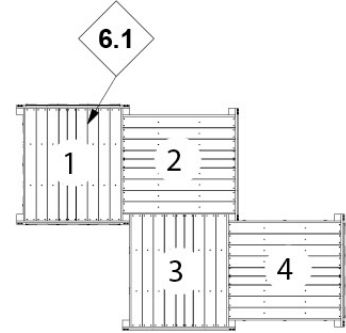
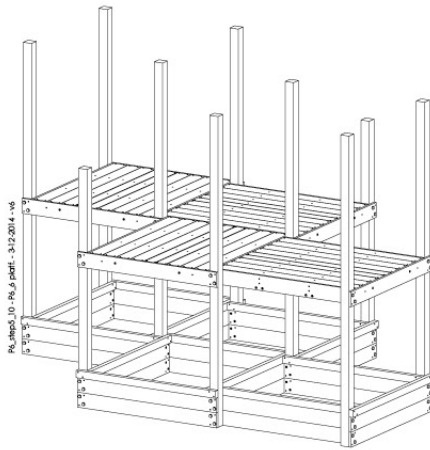
6.1



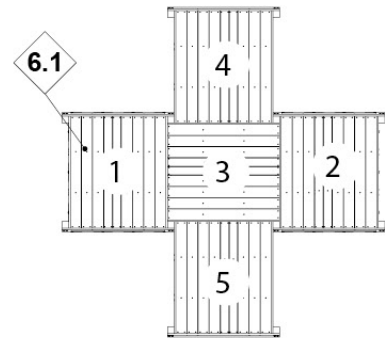
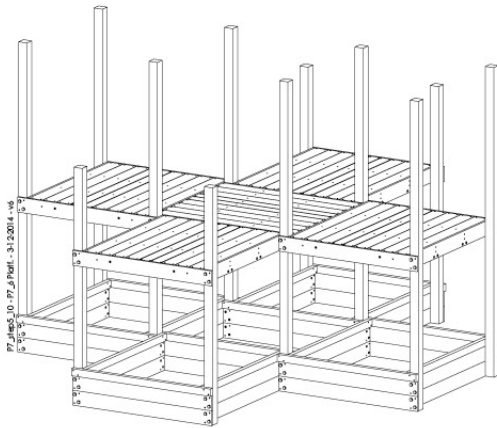
5



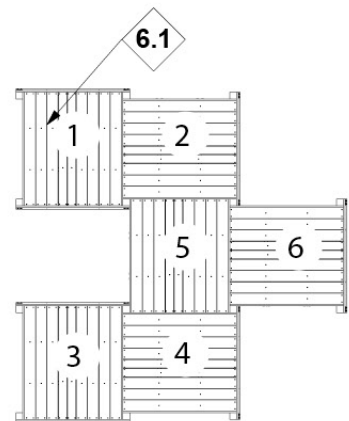
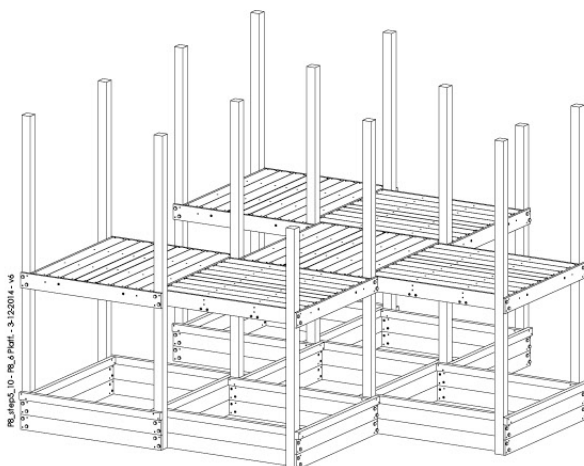
6



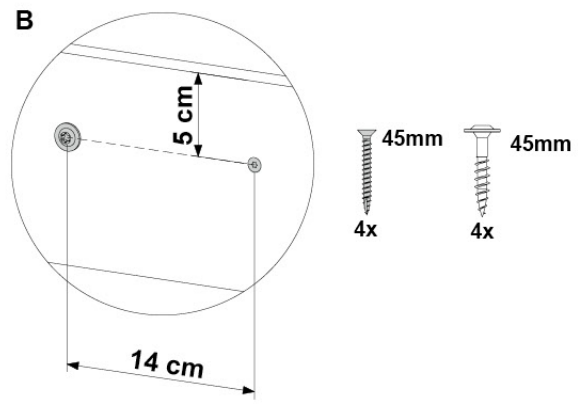
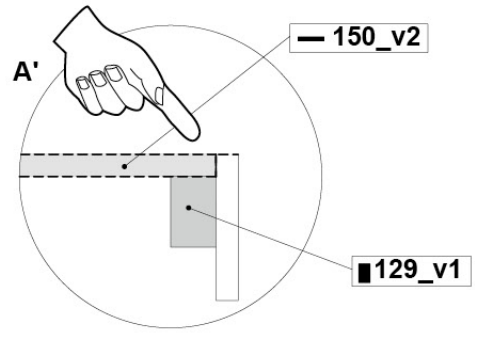
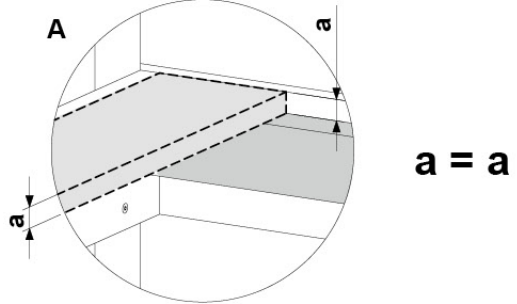
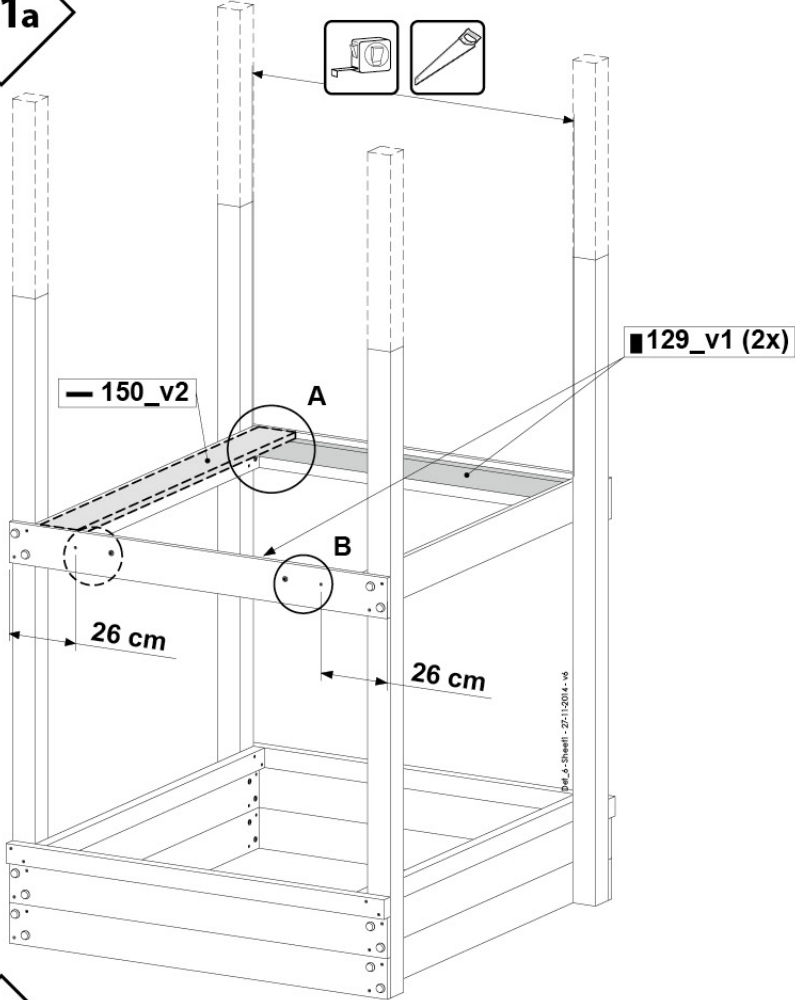
7



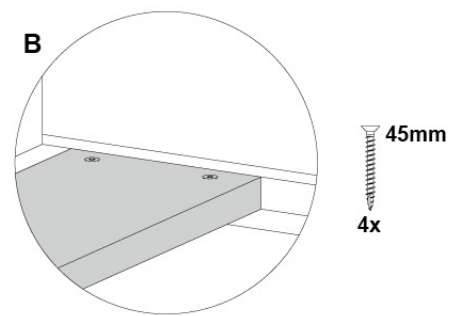
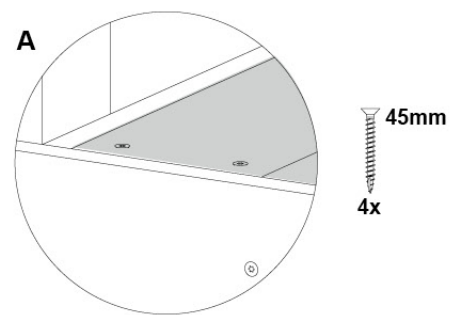
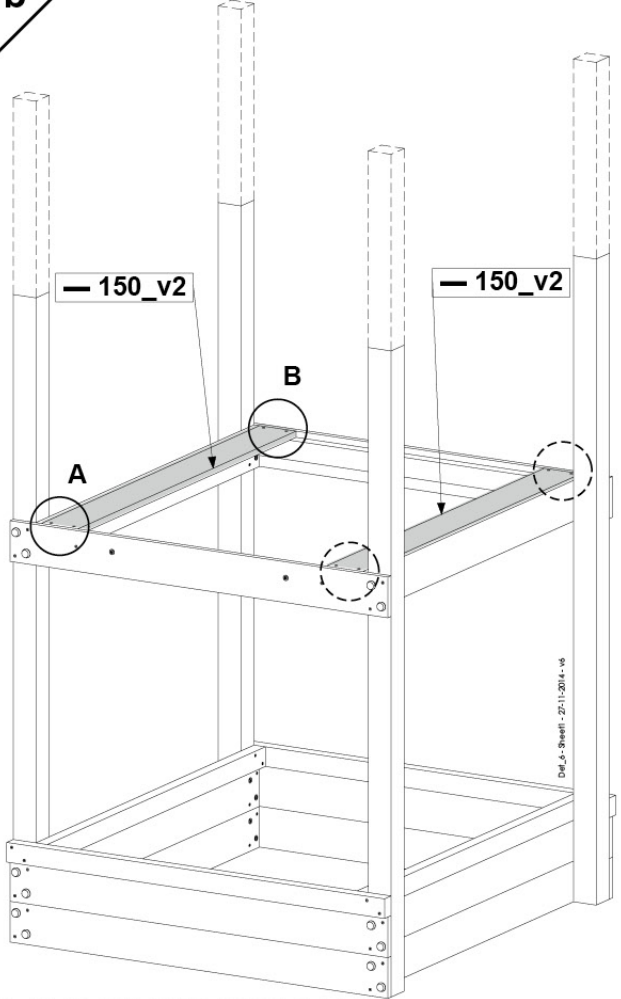
8



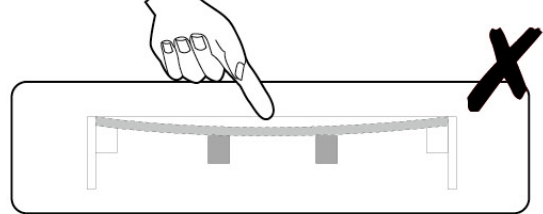
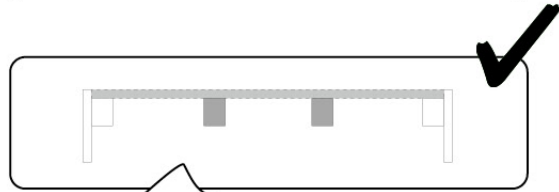
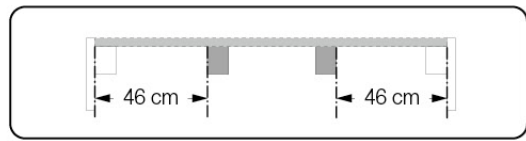
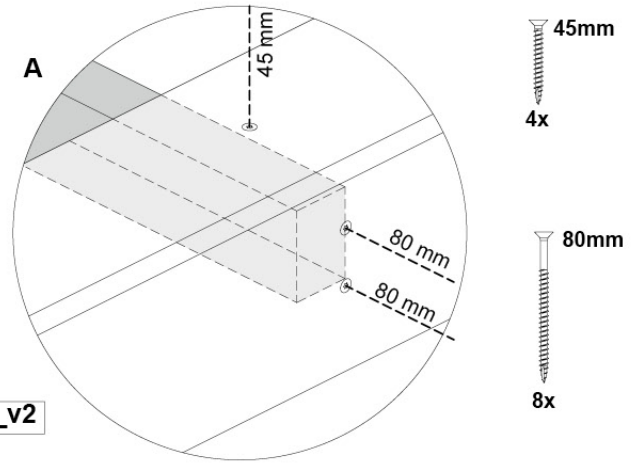
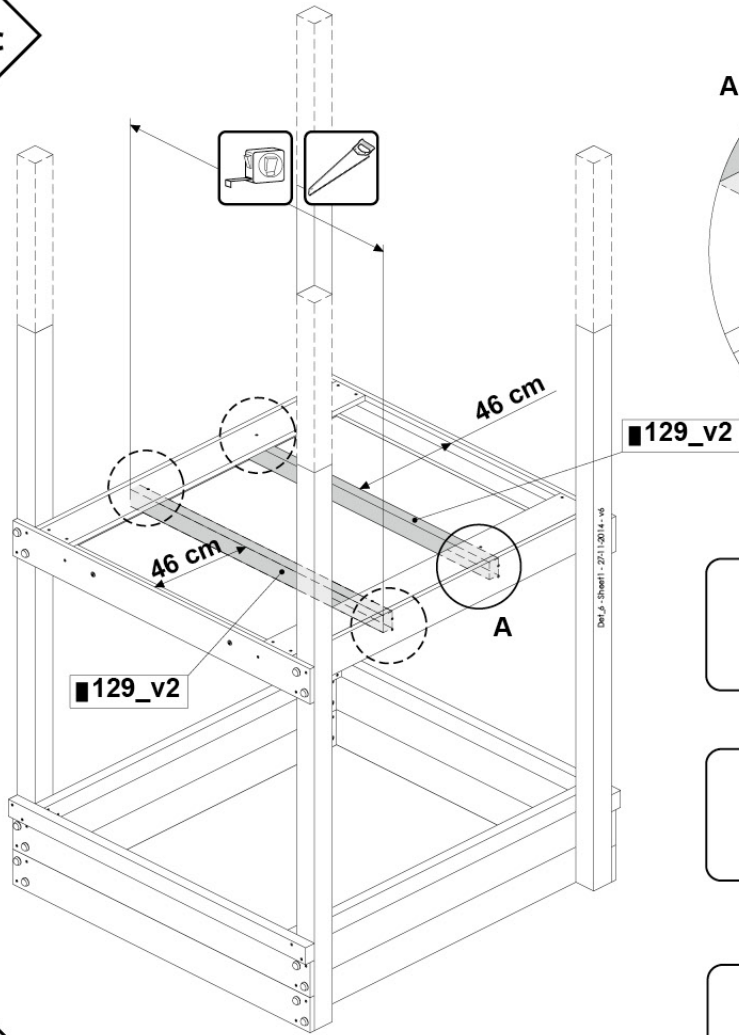
**6.1a**



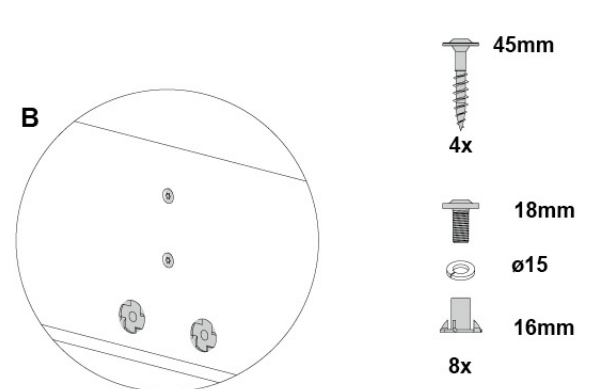
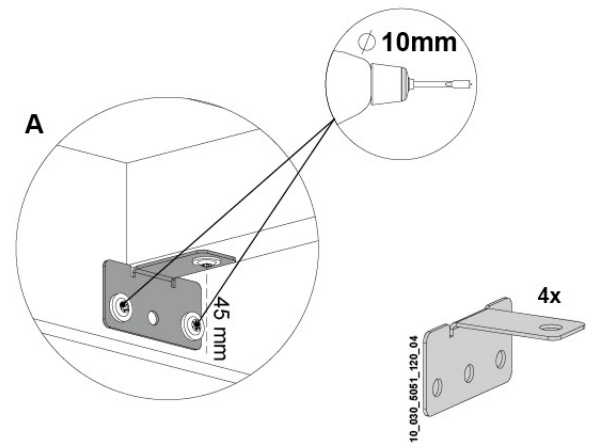
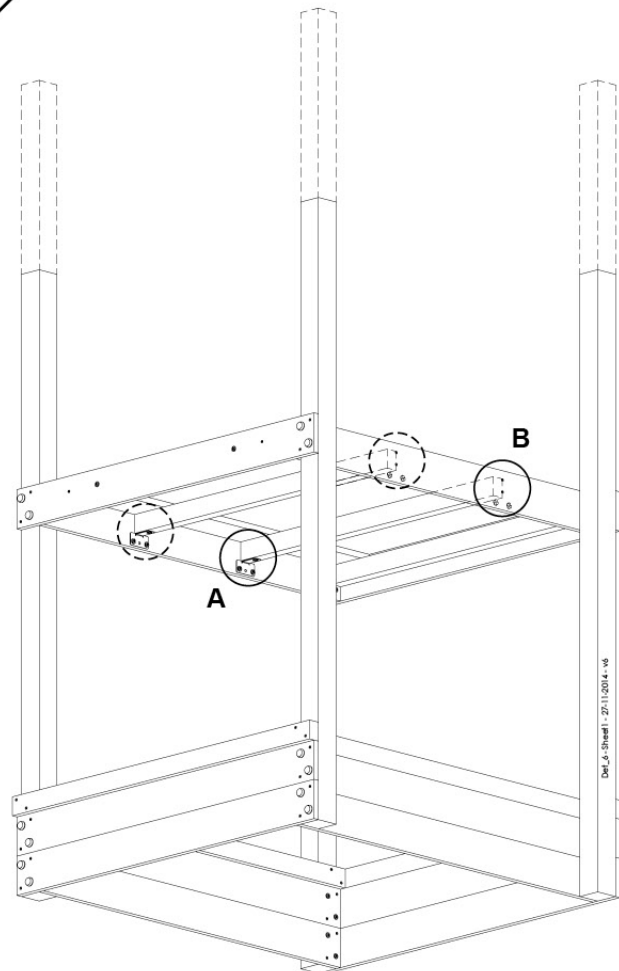
**6.1b**



**6.1c**

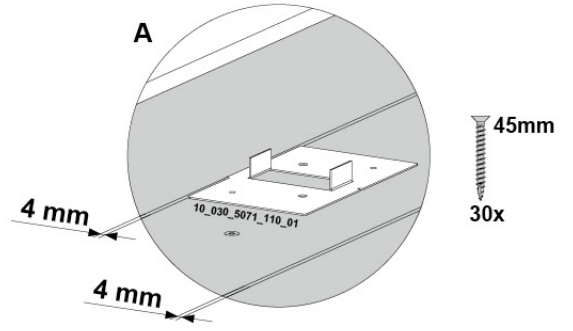
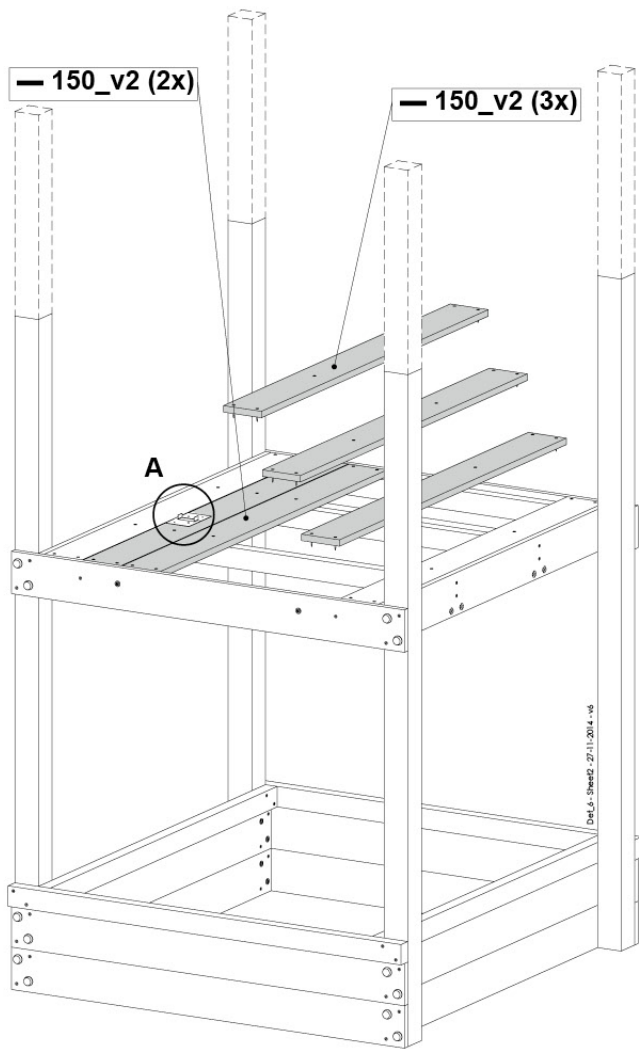


**6.1d**

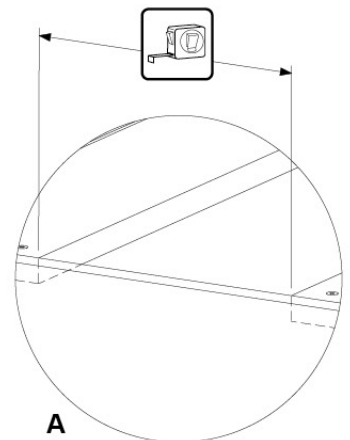
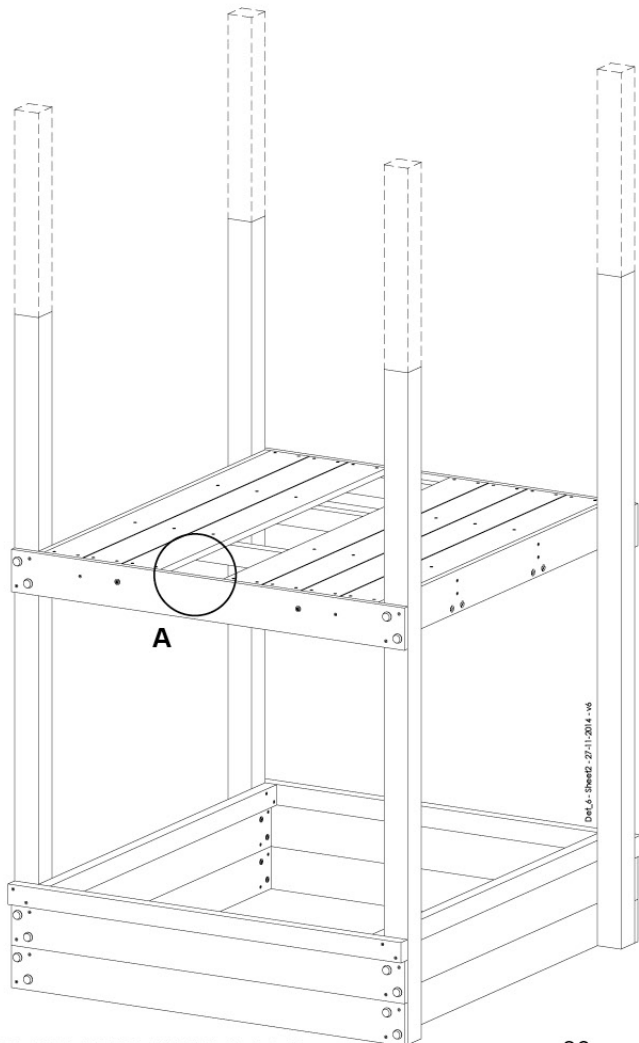




**6.1e**

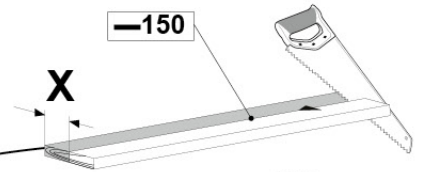
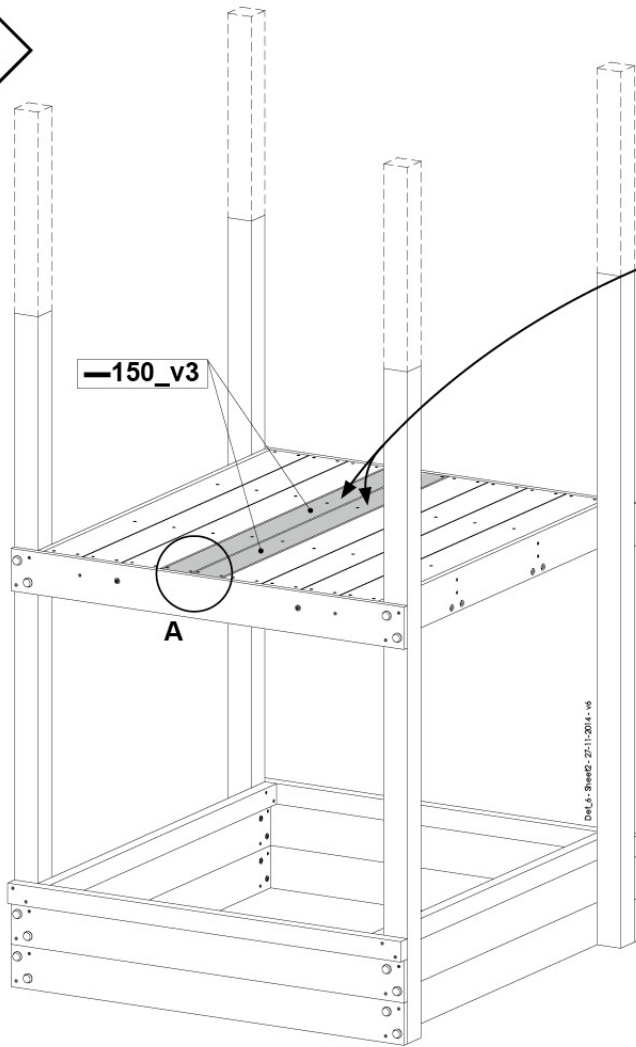


**6.1f**

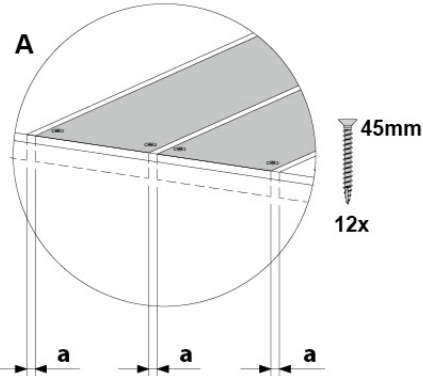


$$\frac{\text{[Icon]} - 1,2 \text{ cm}}{2} = X$$

**6.1g**

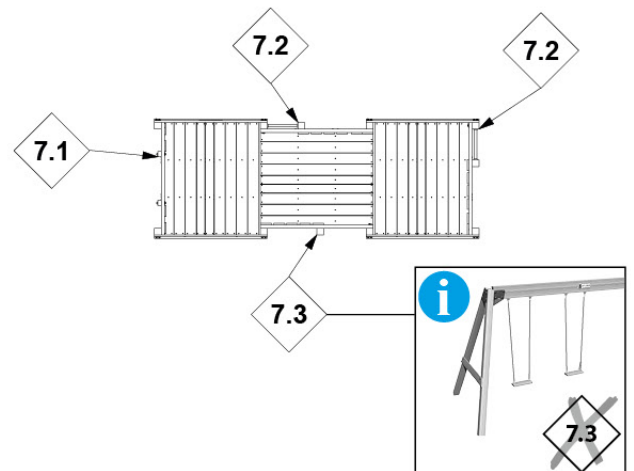
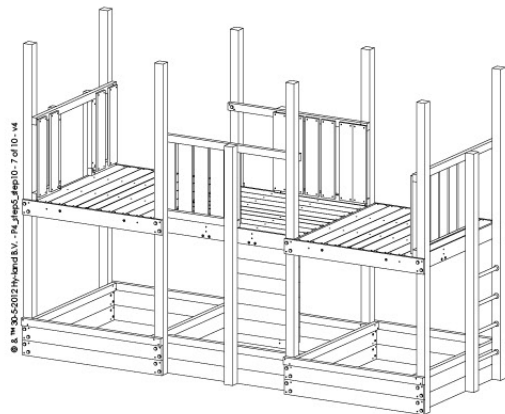
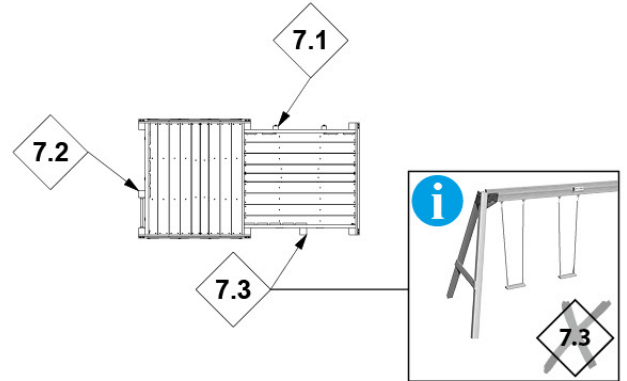
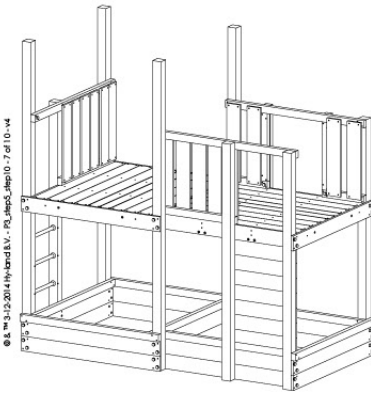
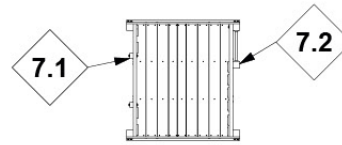
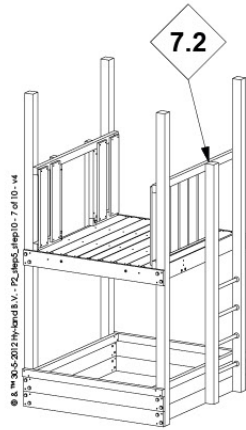
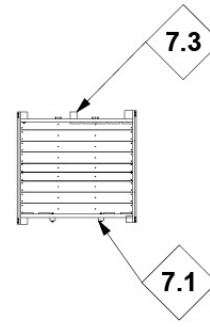
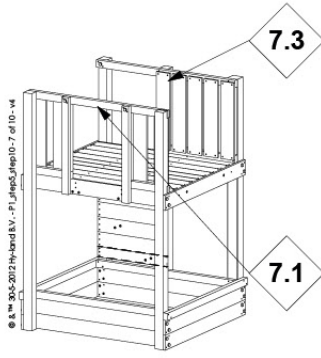


**2x**

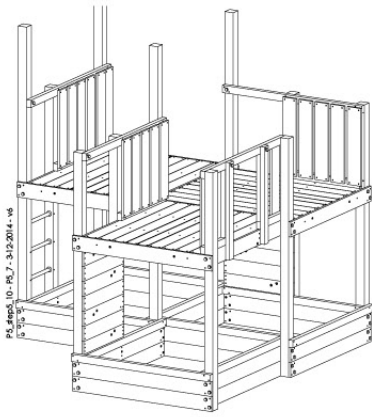


**a = a = a**

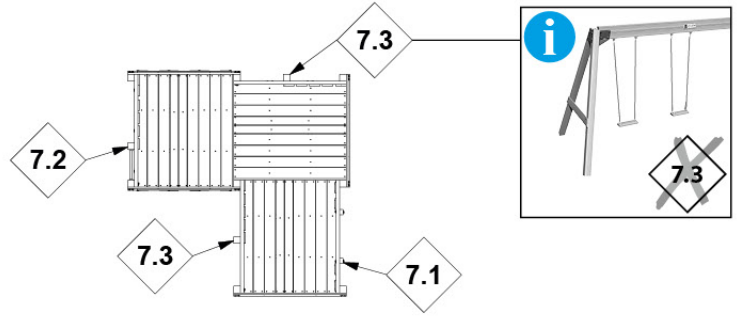
7



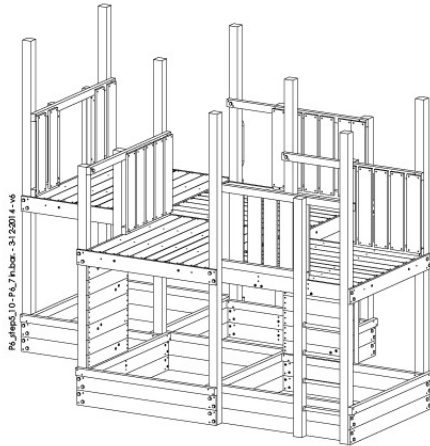
5



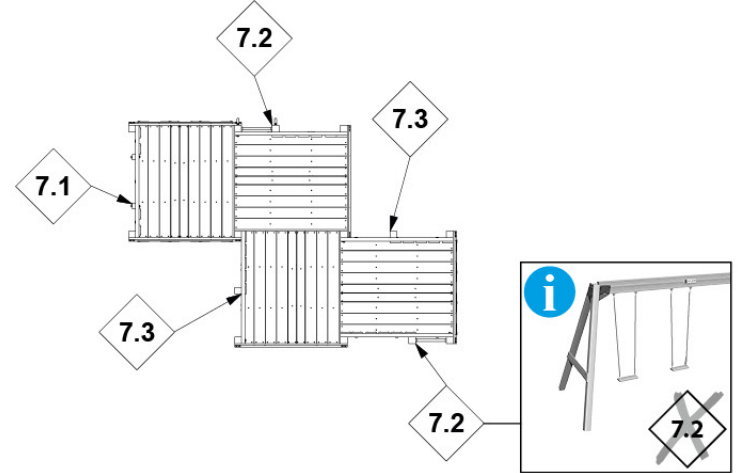
PL\_Step5\_10\_PL7\_3122014-v6



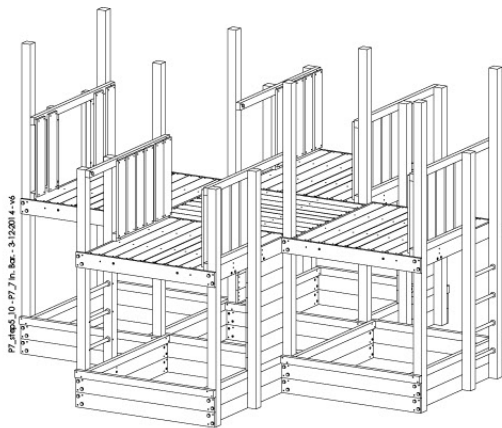
6



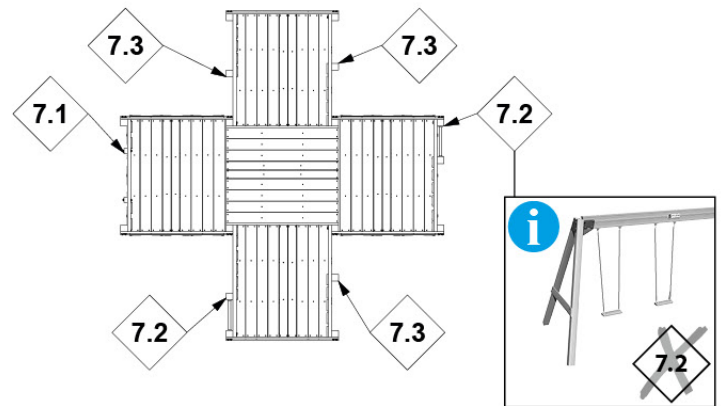
PL\_Step6\_10-PL7\_bar-3122014-v6



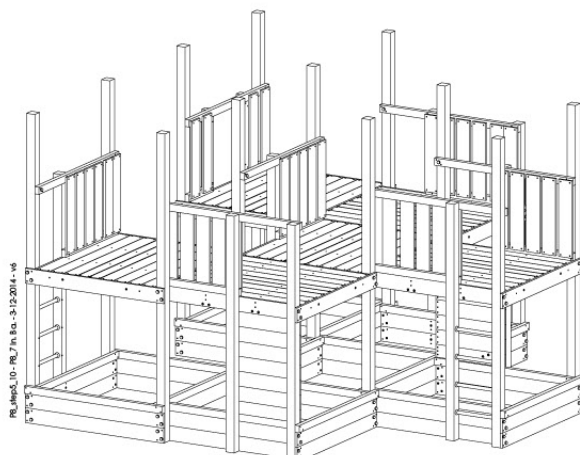
7



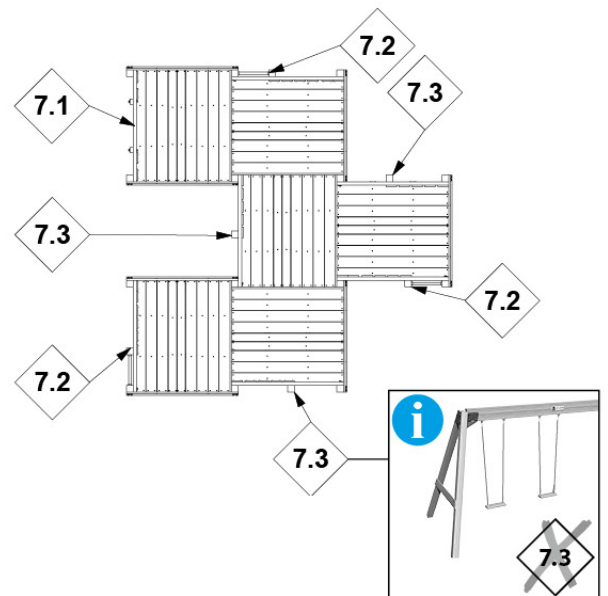
PL\_Step7\_10-977n\_bar-3122014-v6



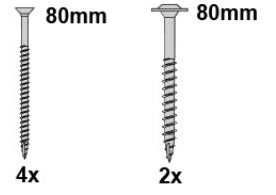
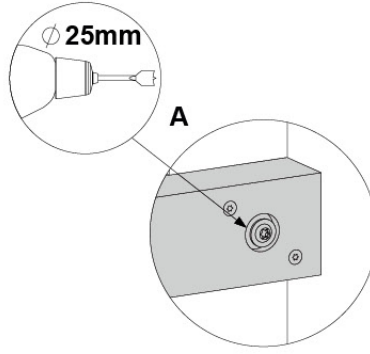
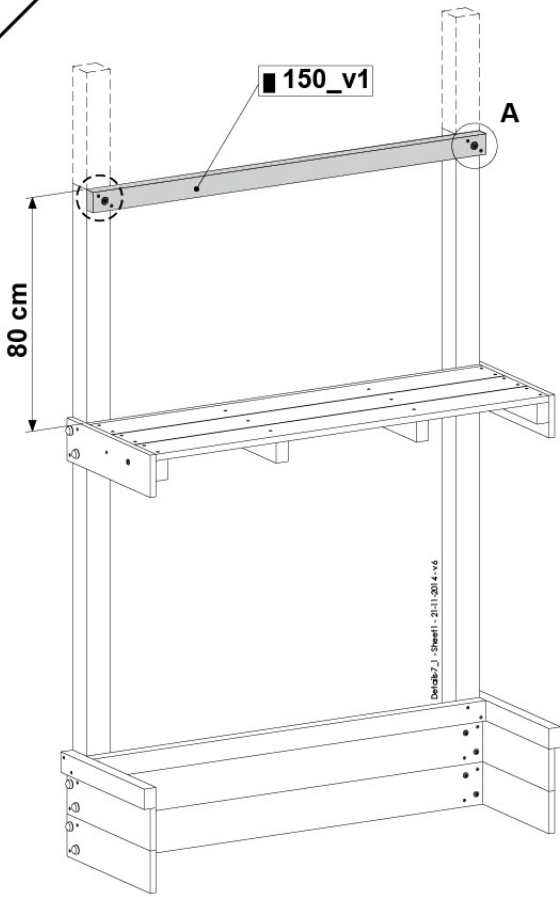
8



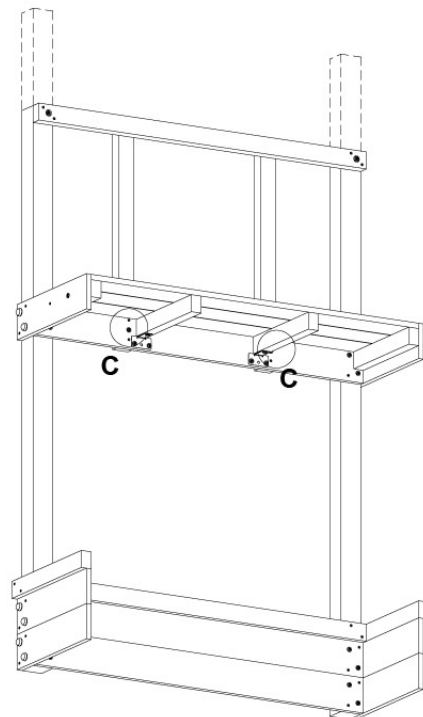
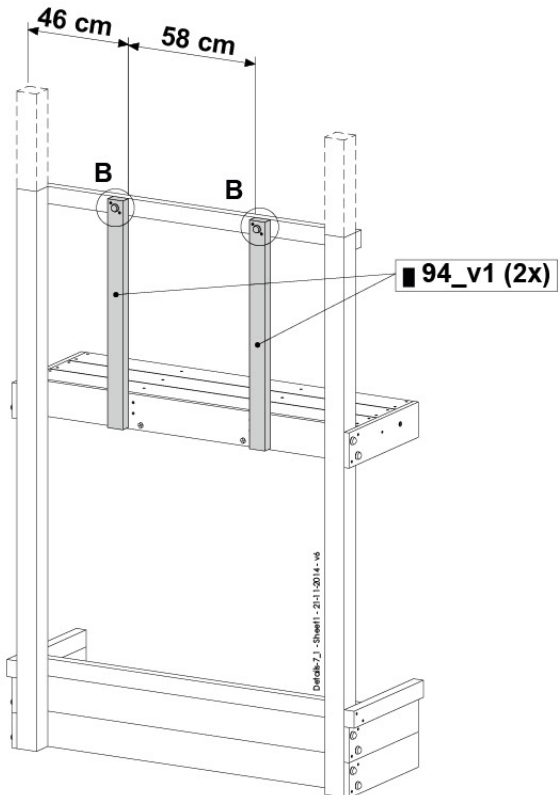
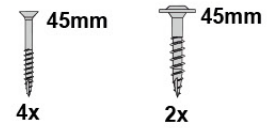
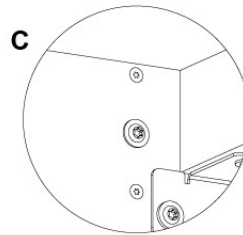
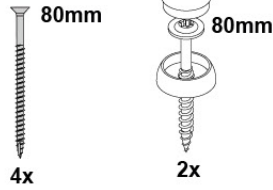
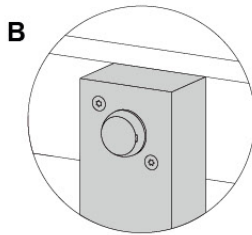
PL\_Step8\_10-PL7\_Ba-3122014-v6



**7.1a**

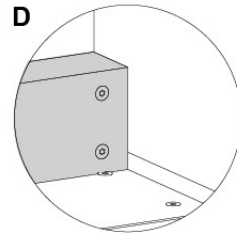
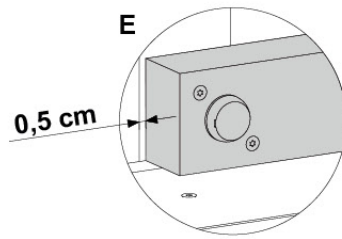
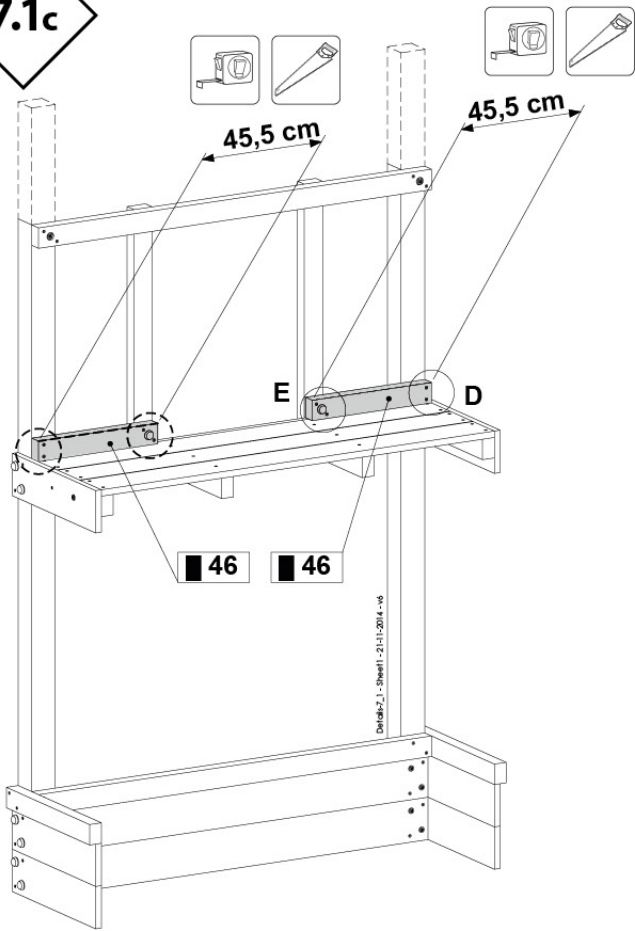


**7.1b**

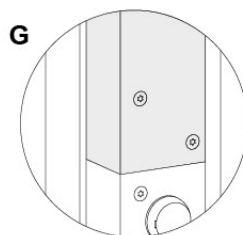
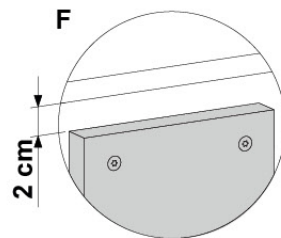
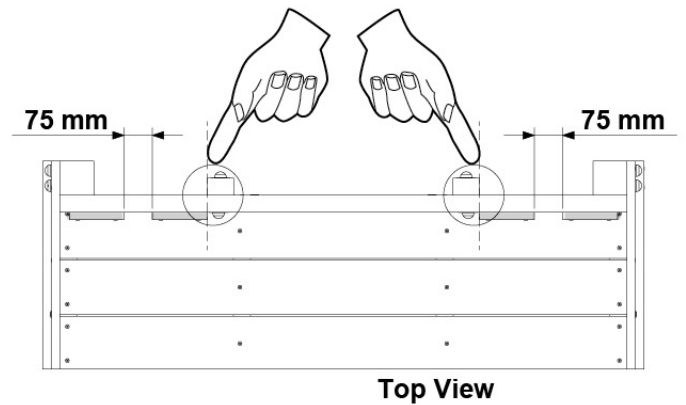
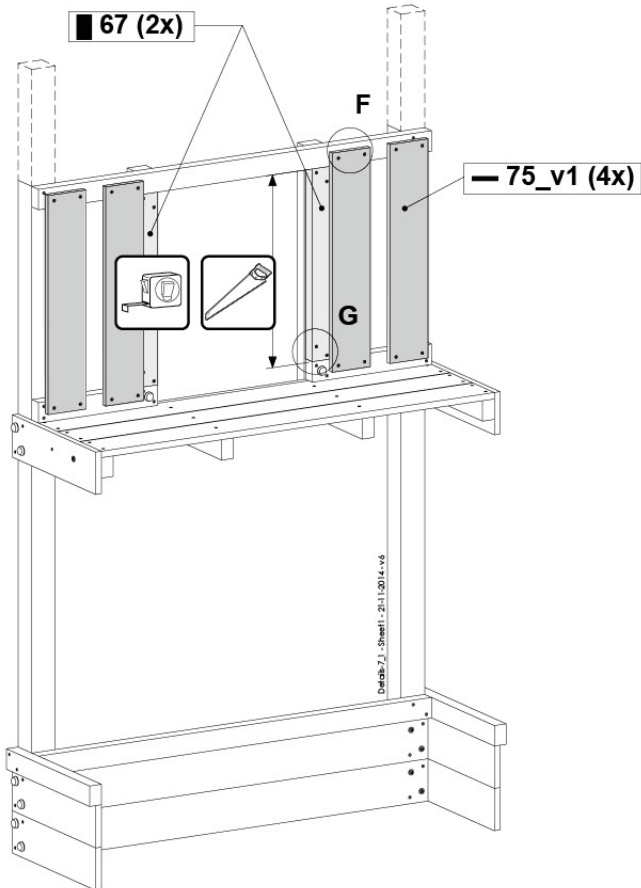




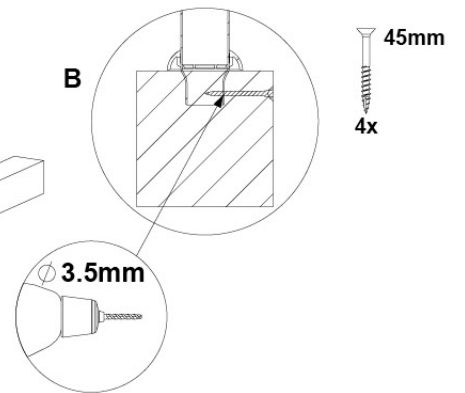
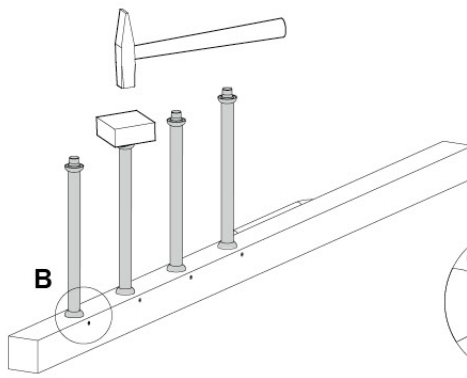
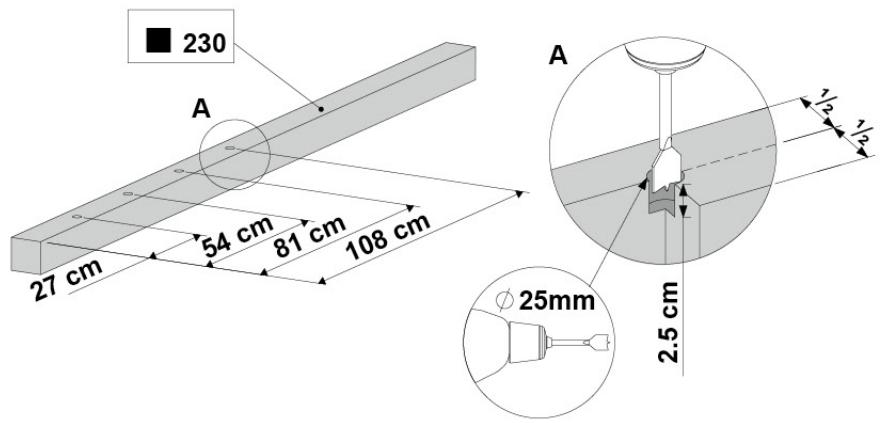
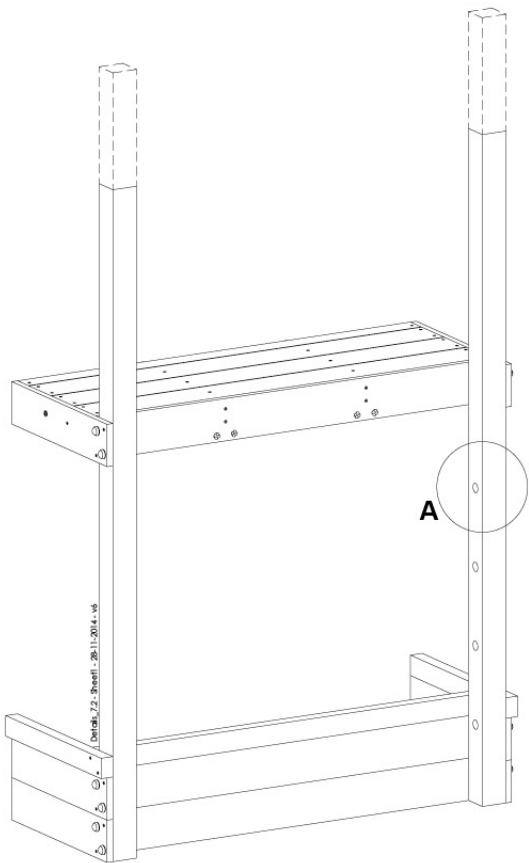
# 7.1c



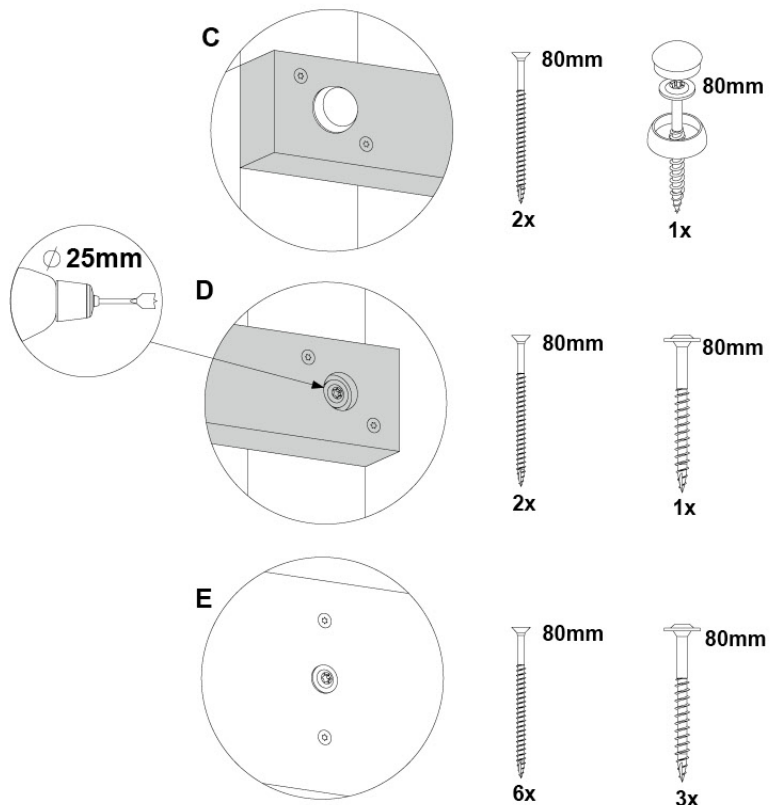
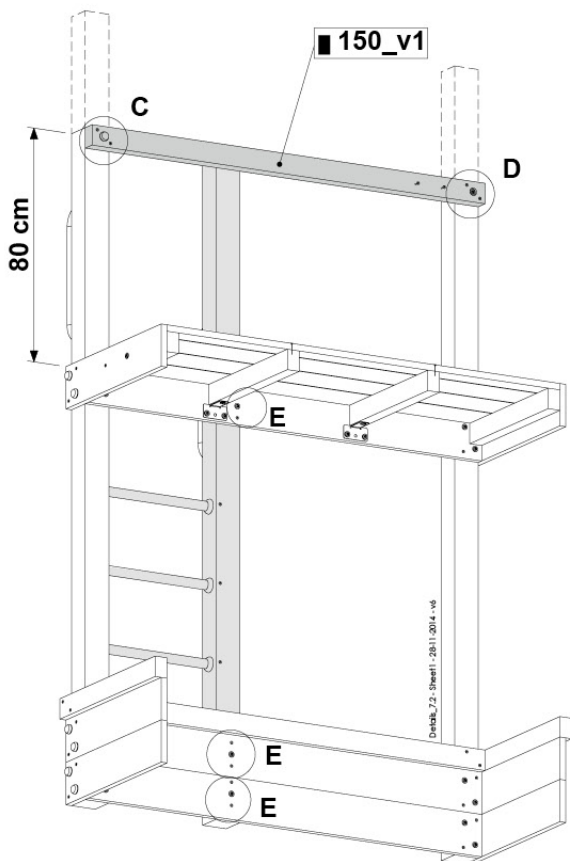
# 7.1d



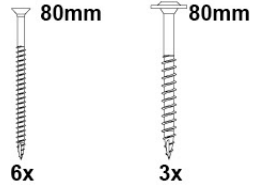
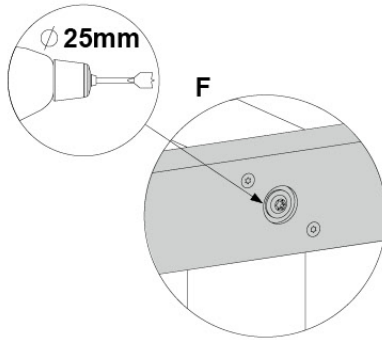
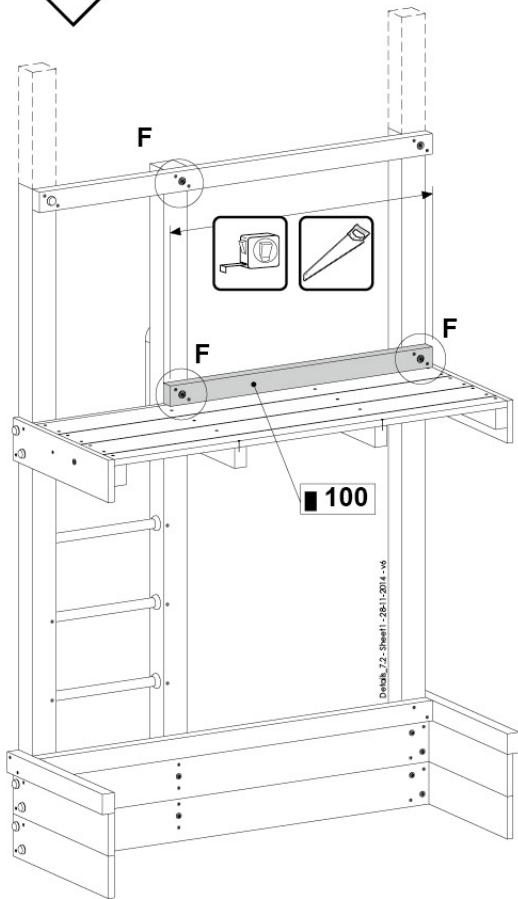
# 7.2a



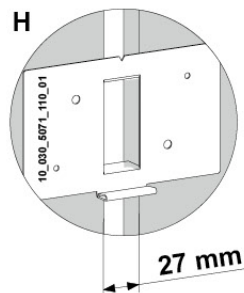
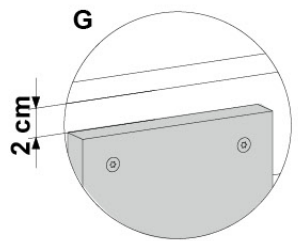
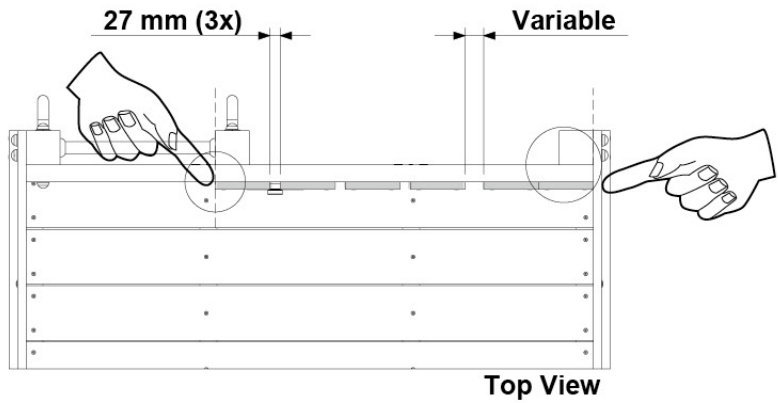
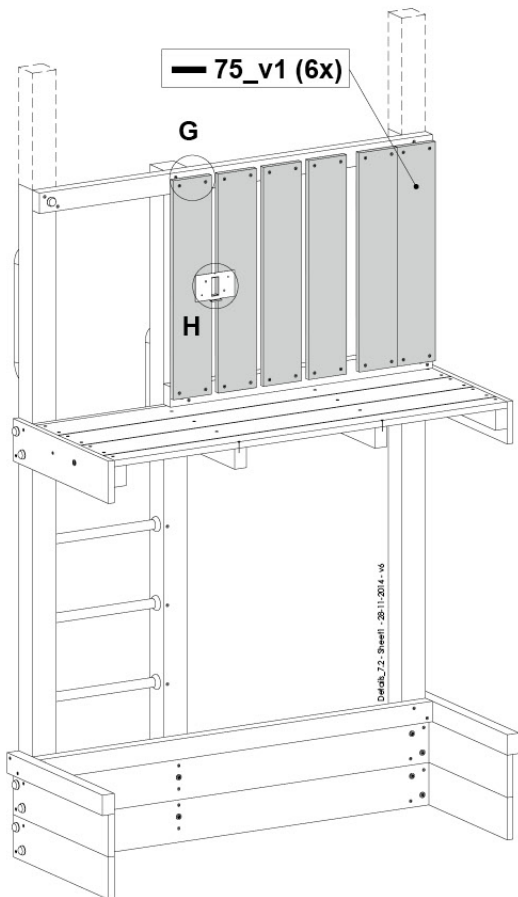
# 7.2b



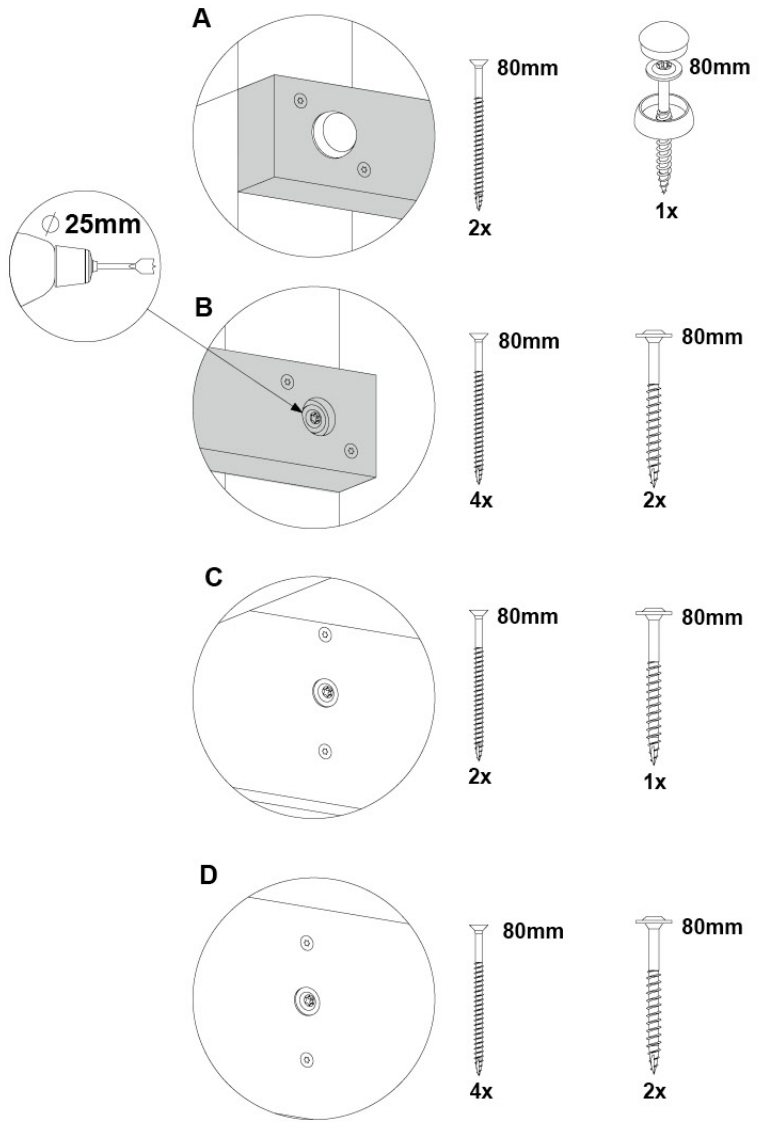
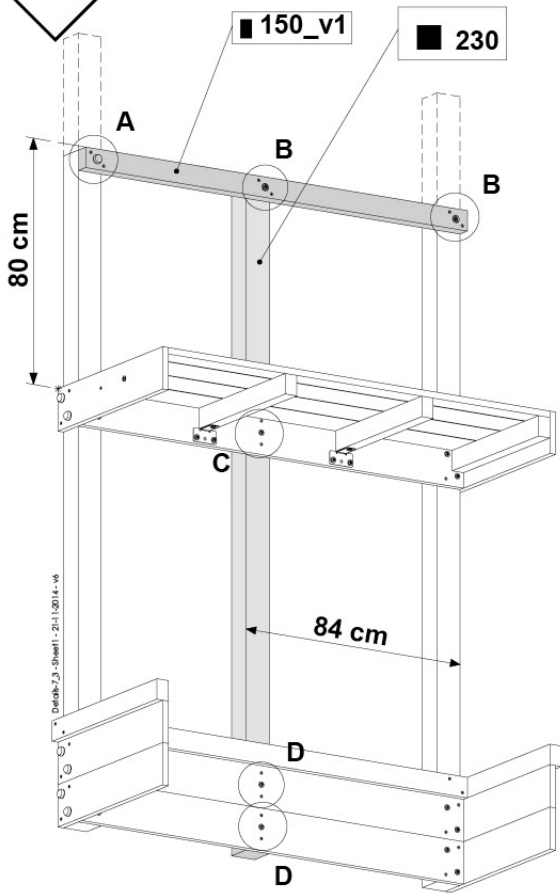
**7.2c**



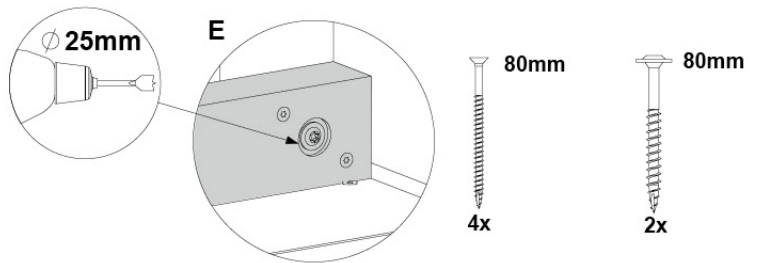
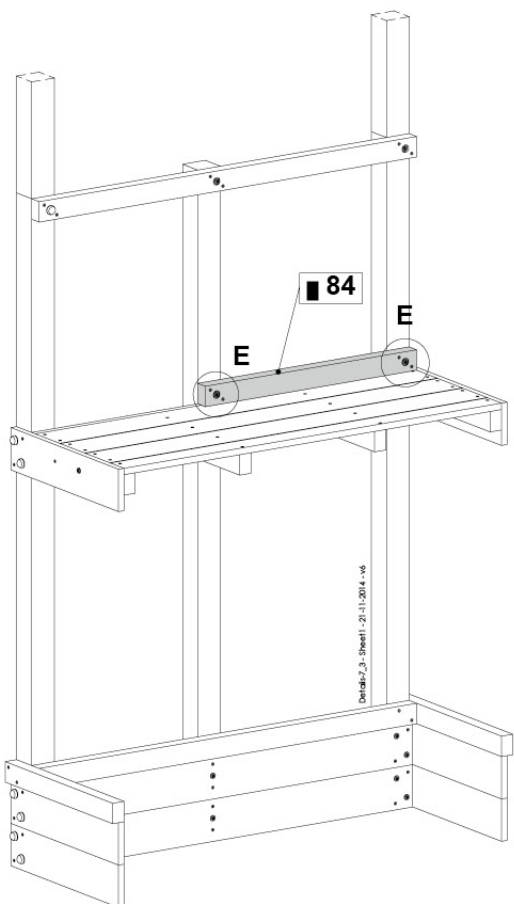
**7.2d**



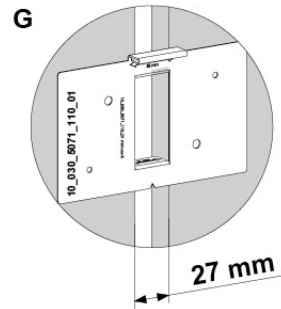
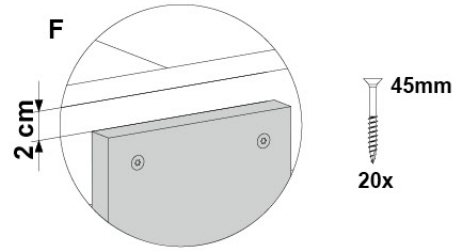
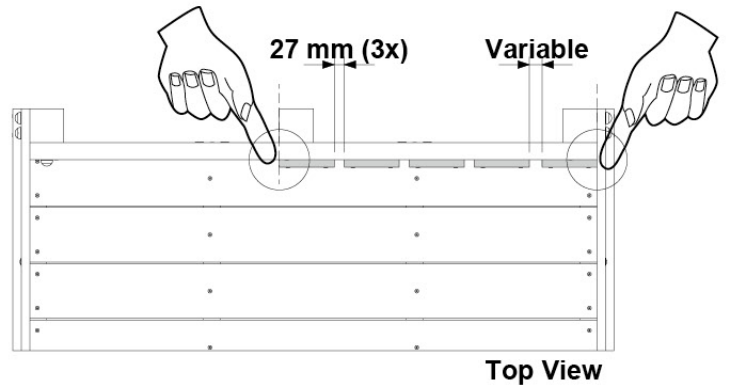
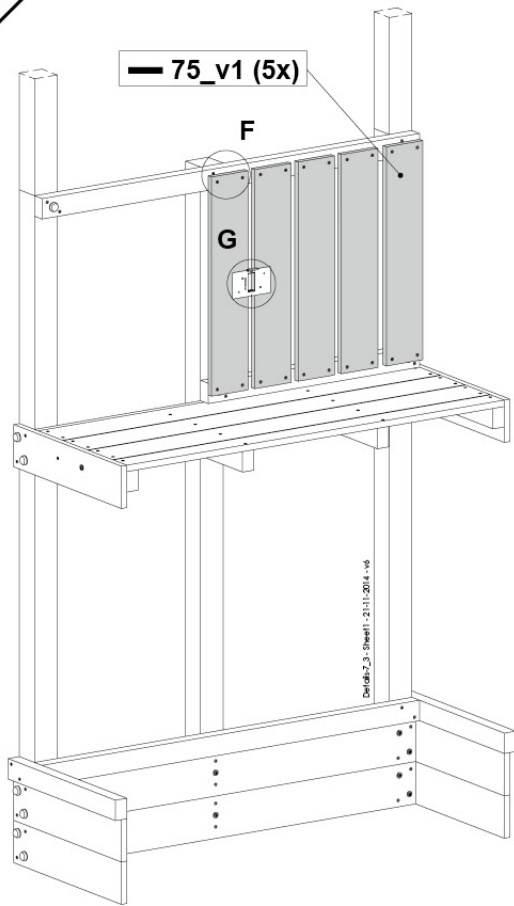
# 7.3a



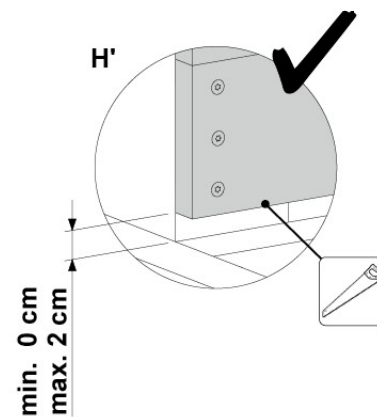
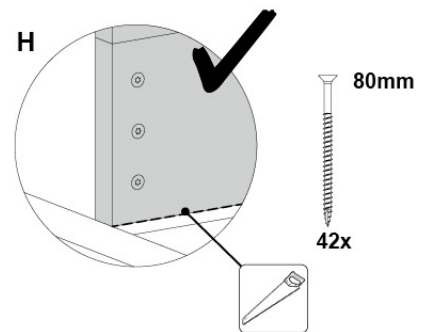
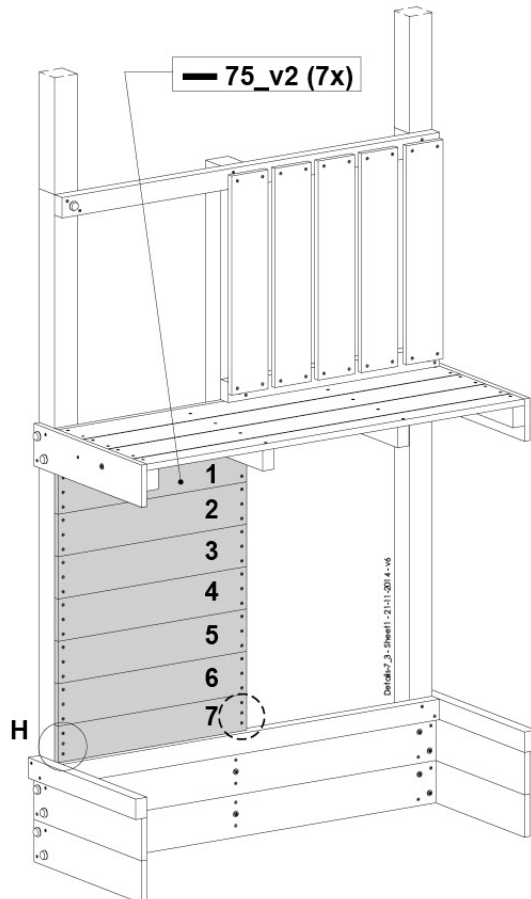
# 7.3b



**7.3c**



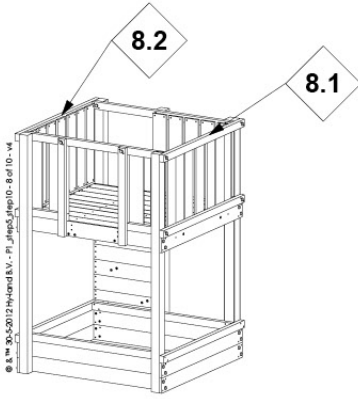
**7.3d**



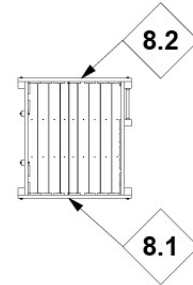
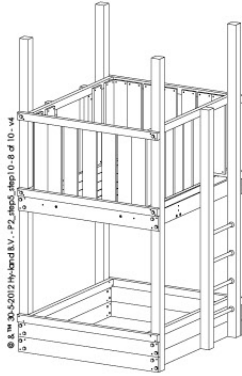


8

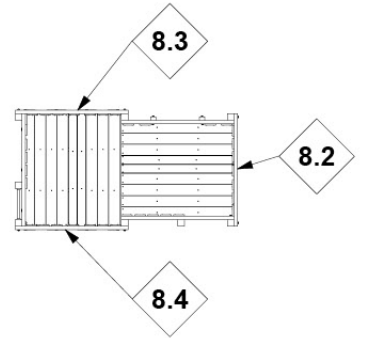
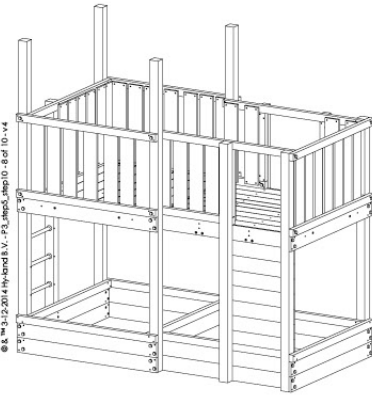
1



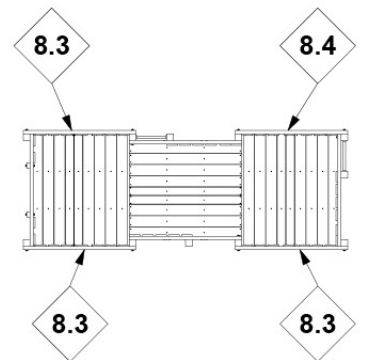
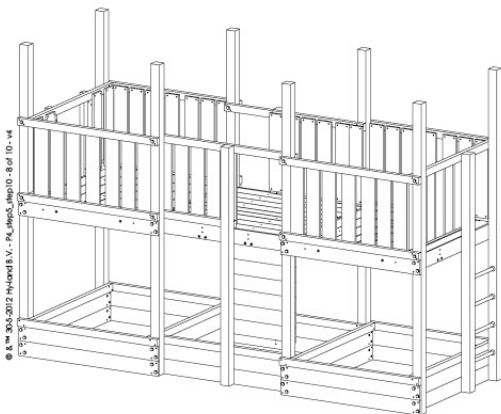
2



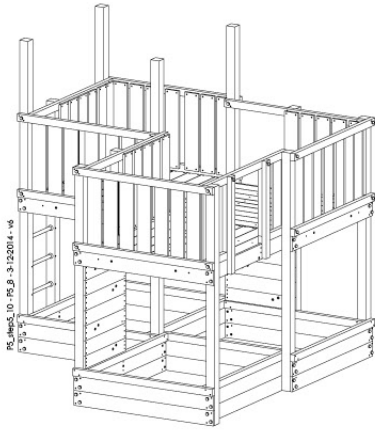
3



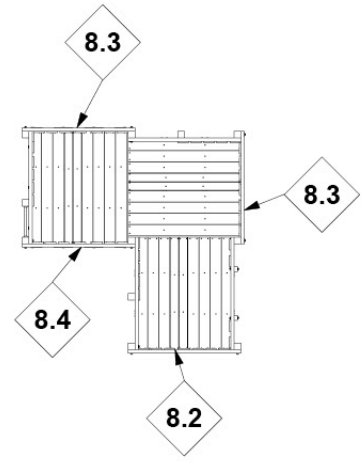
4



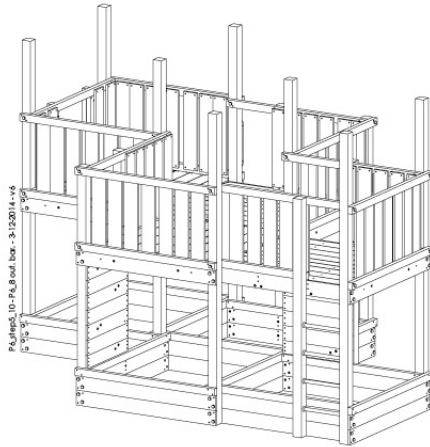
5



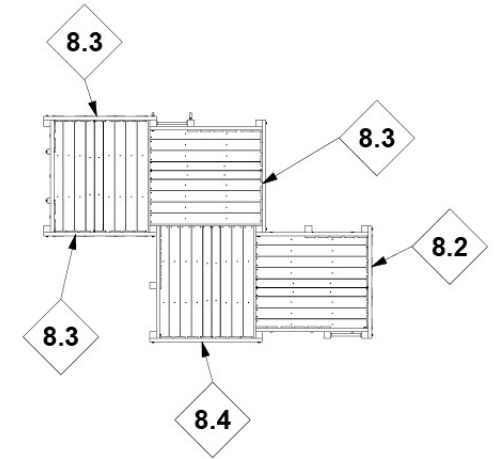
PK\_10\_15\_B - 312011-v6



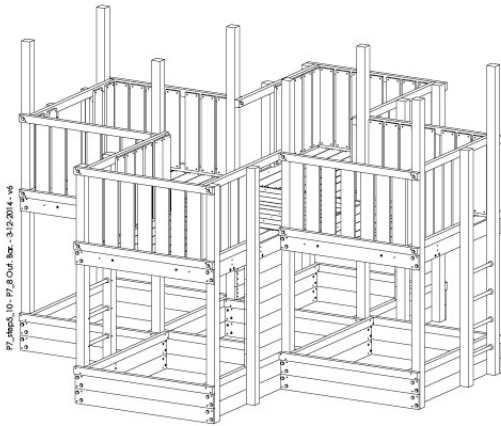
6



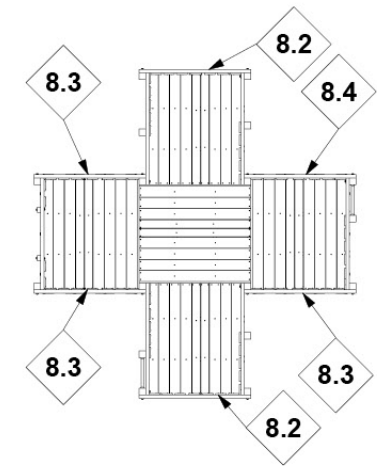
PK\_10\_15\_B\_out\_bar - 312011-v6



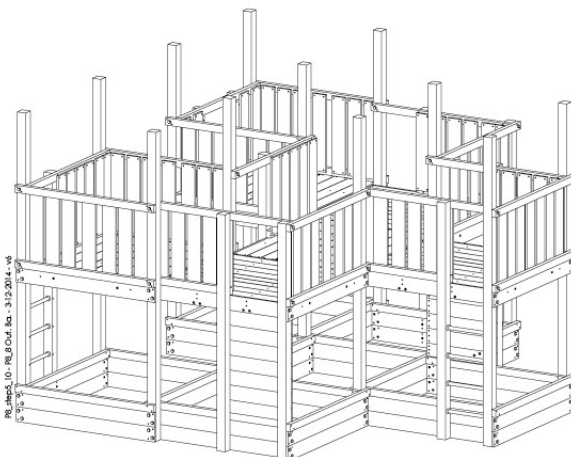
7



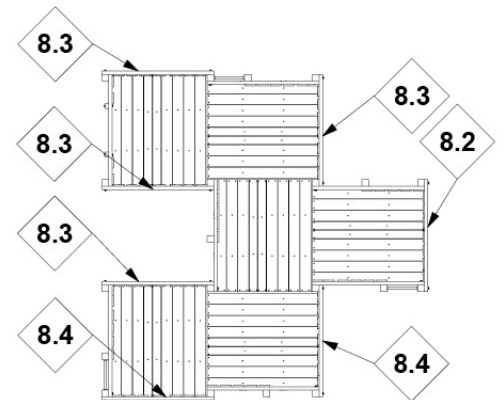
PK\_10\_17\_B\_Out\_bar - 312011-v6



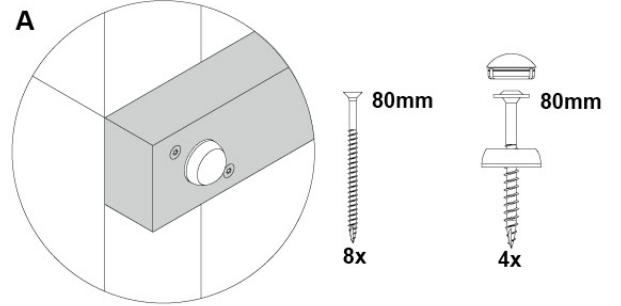
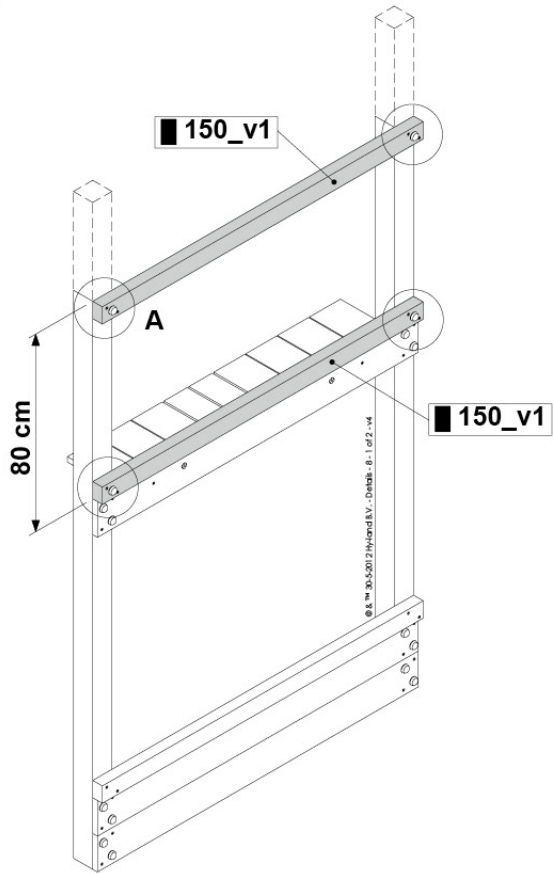
8



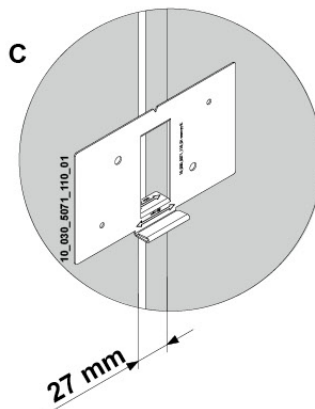
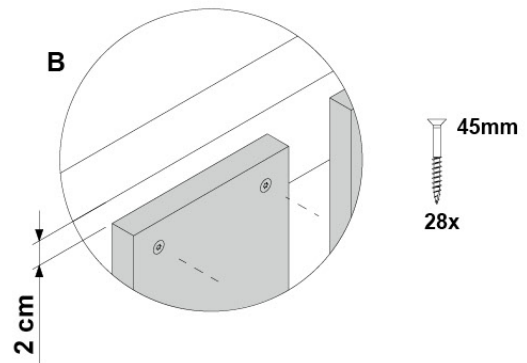
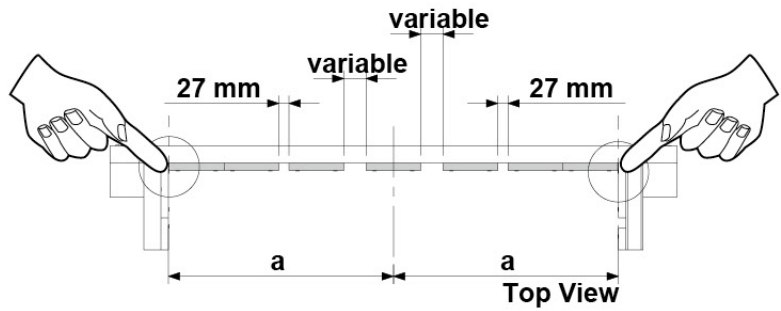
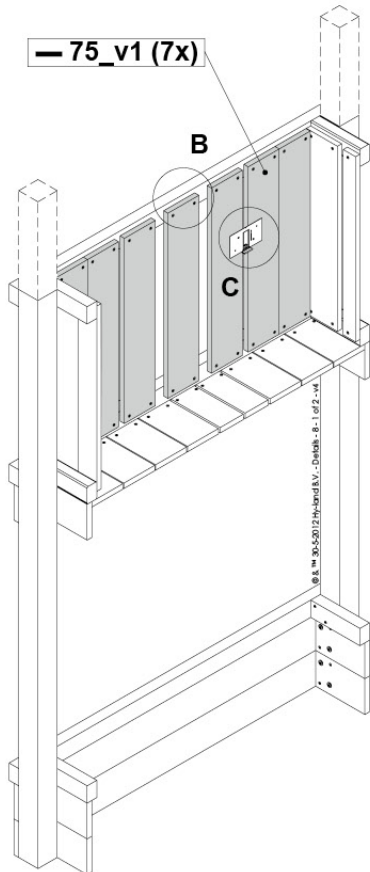
PK\_10\_18\_B\_Out\_bar - 312011-v6



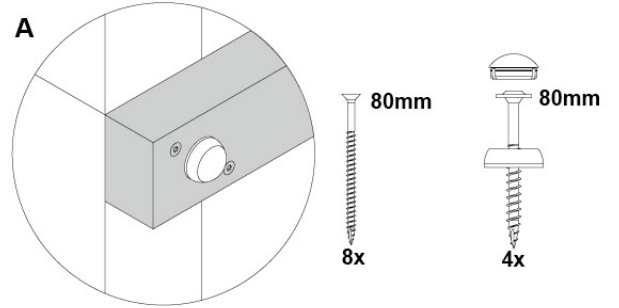
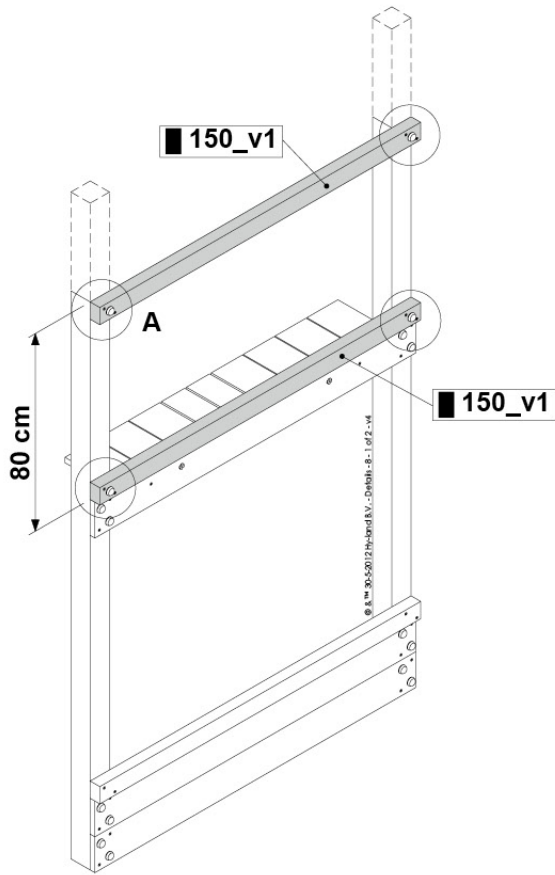
**8.1a**



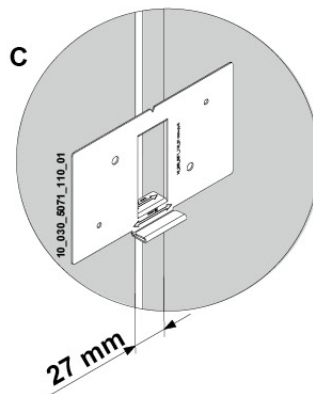
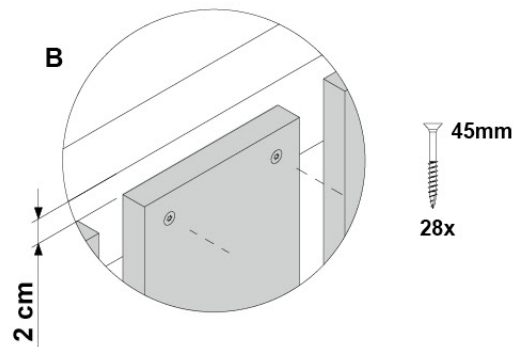
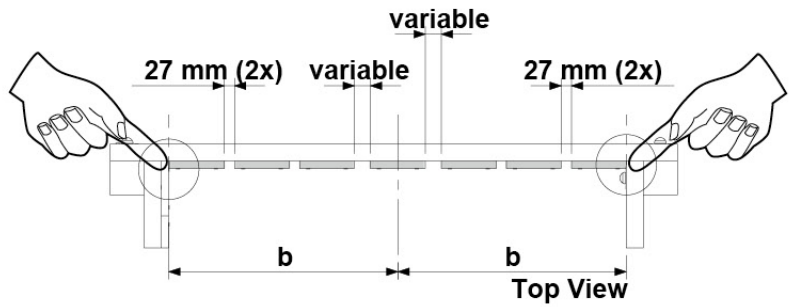
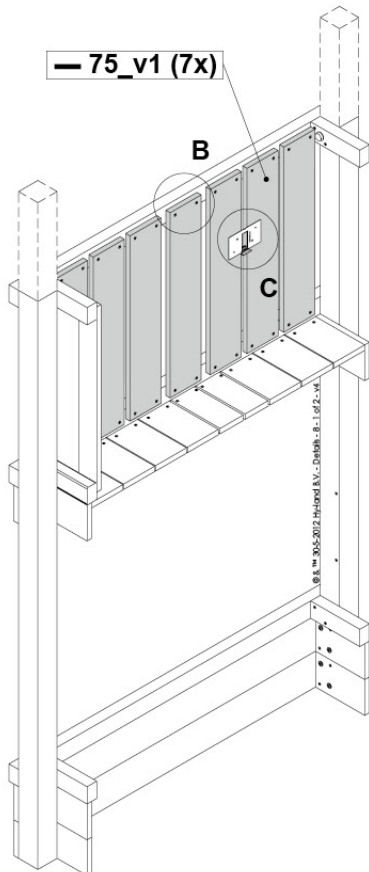
**8.1b**



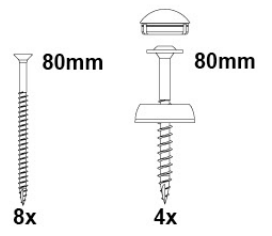
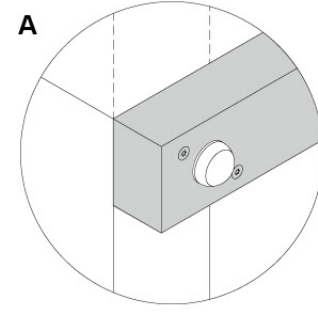
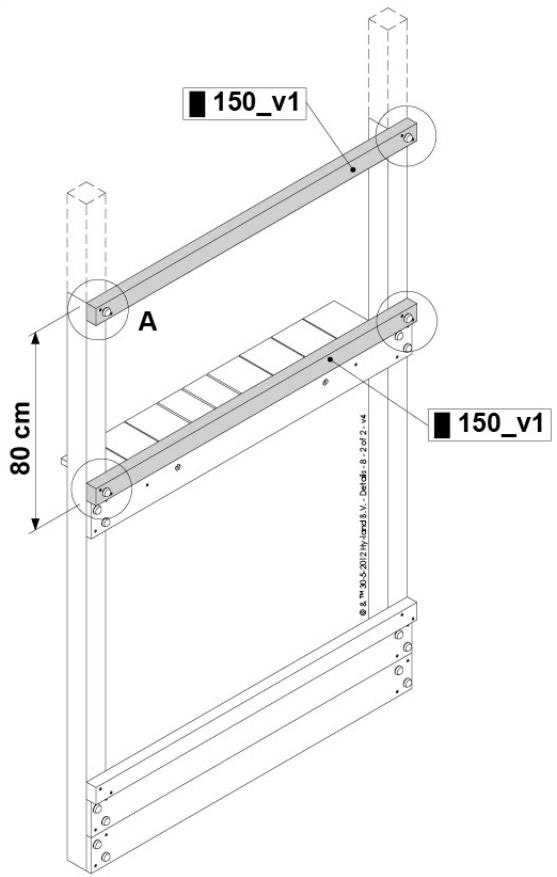
8.2a



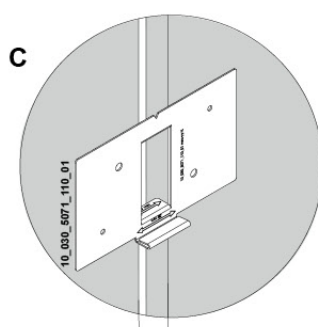
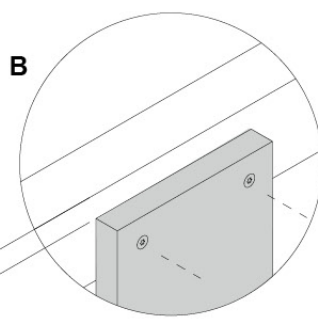
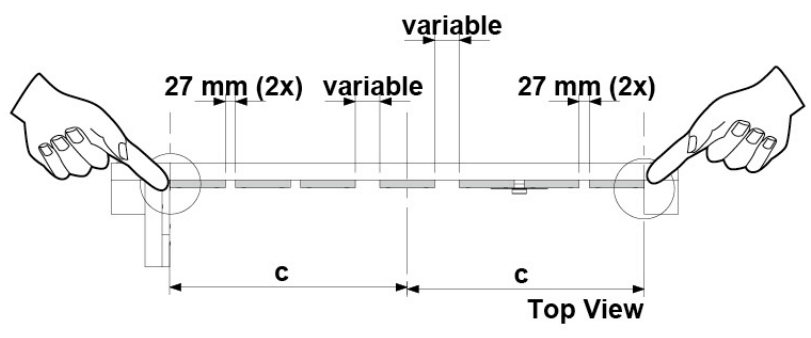
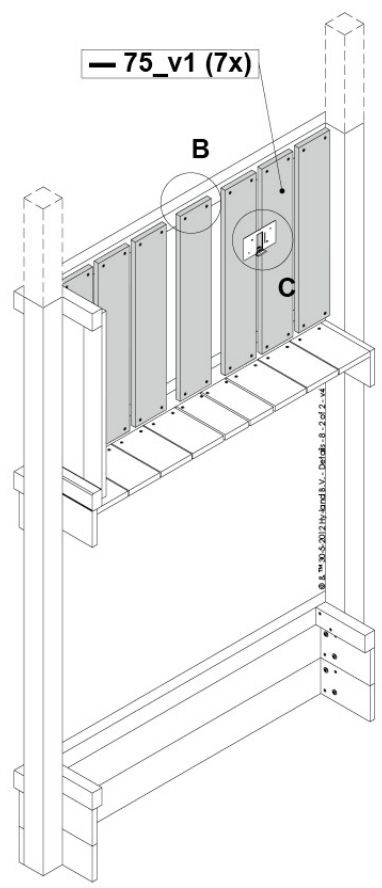
8.2b



**8.3a**

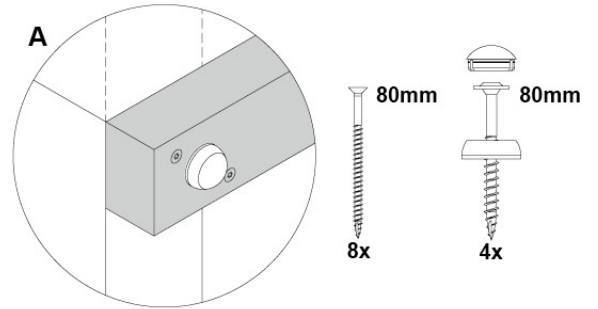
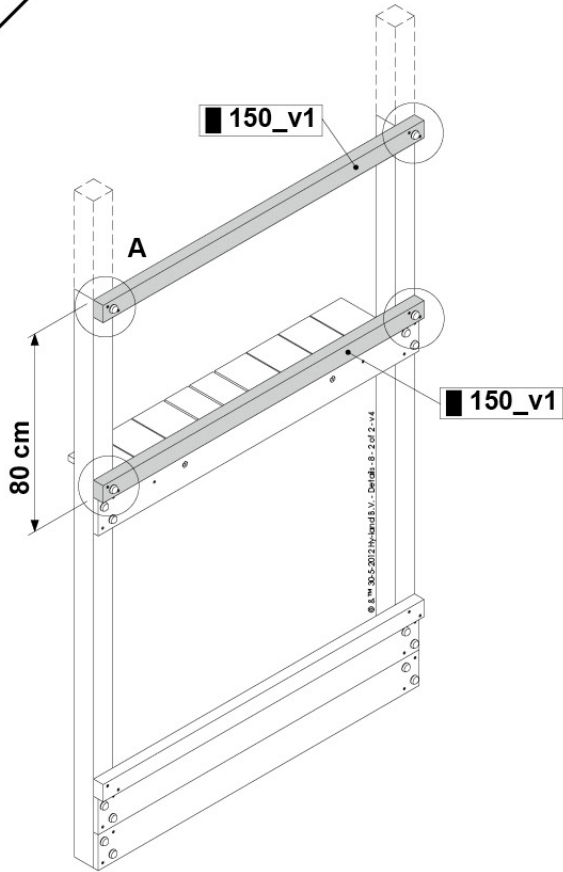


**8.3b**

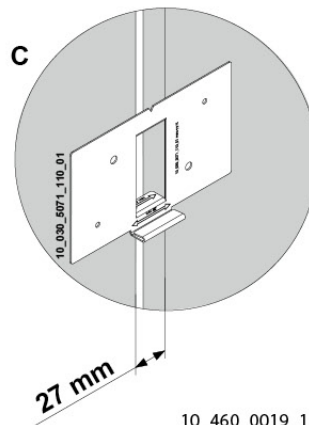
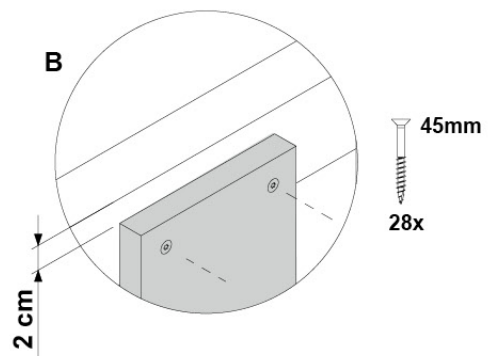
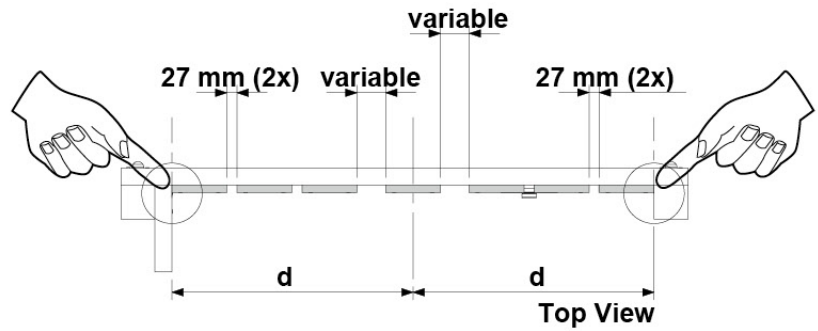
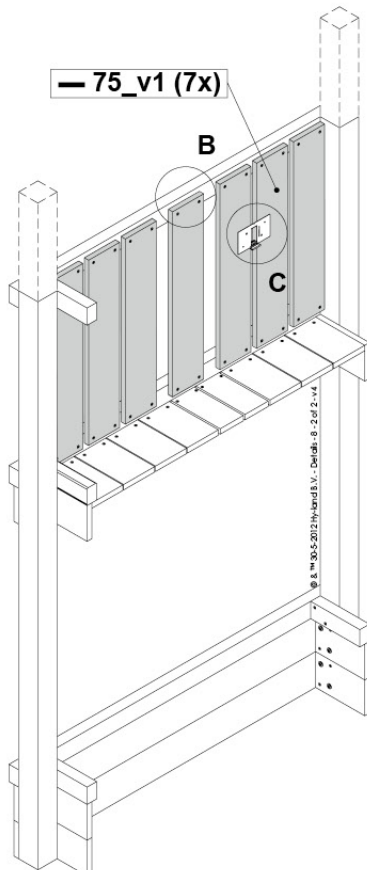




8.4a

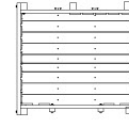
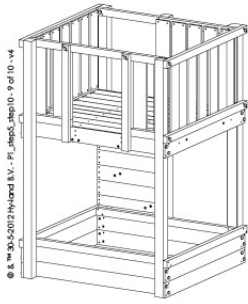


8.4b

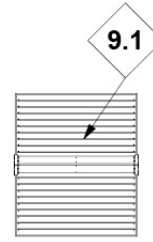
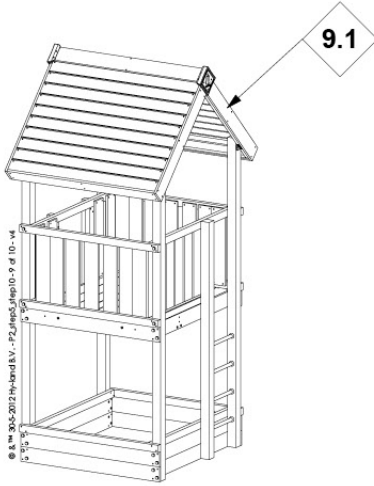


9

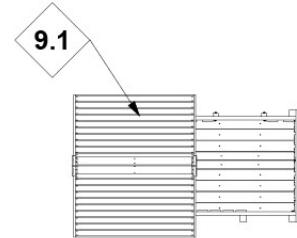
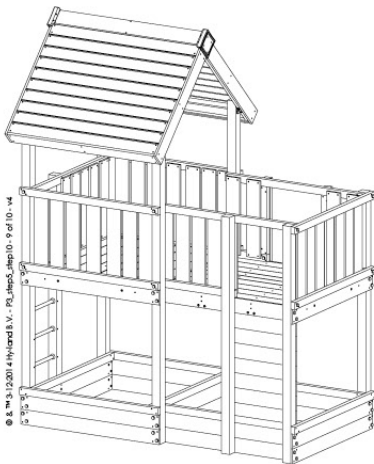
1



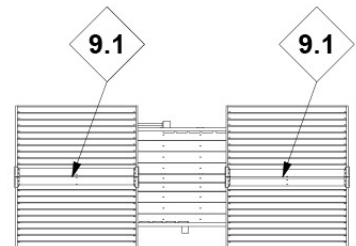
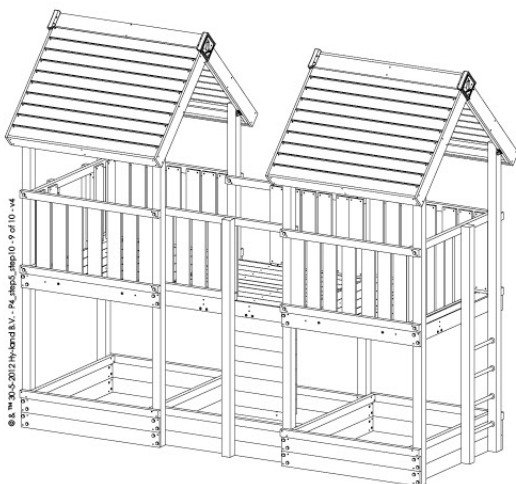
2



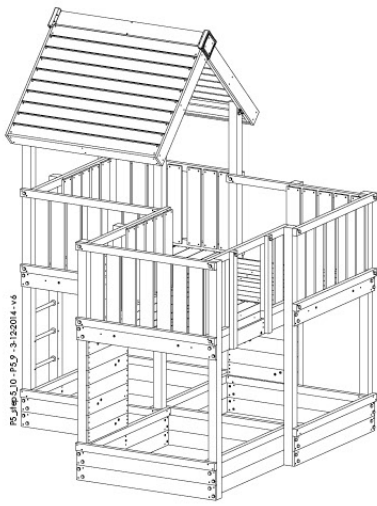
3



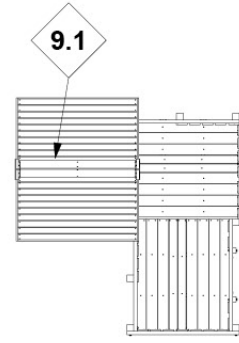
4



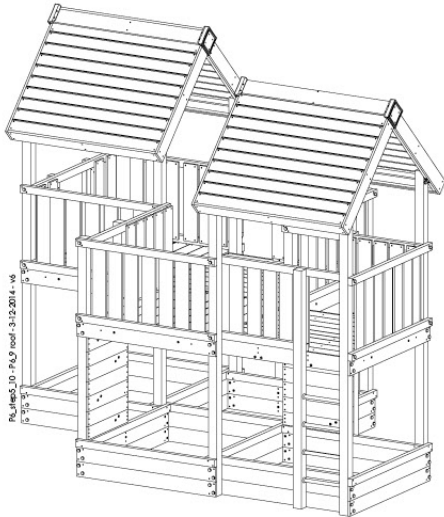
5



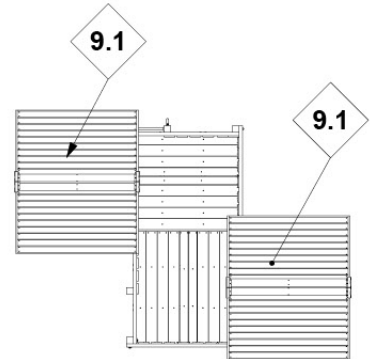
PL\_HMS\_10 - P5,7 - 3-122014 - v6



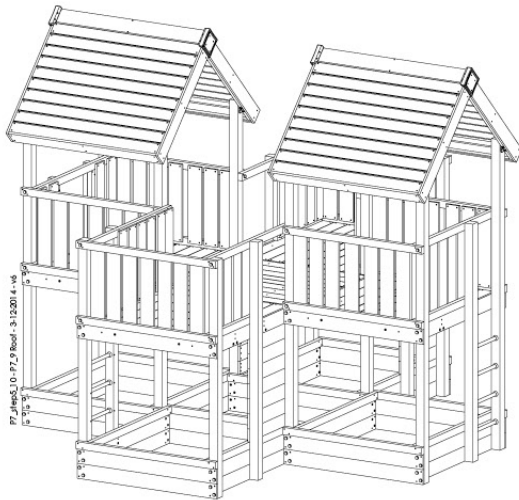
6



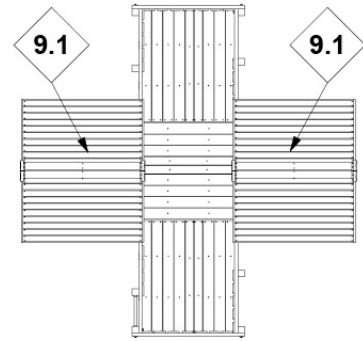
PL\_HMS\_10 - P6,9 - roof - 3-122014 - v6



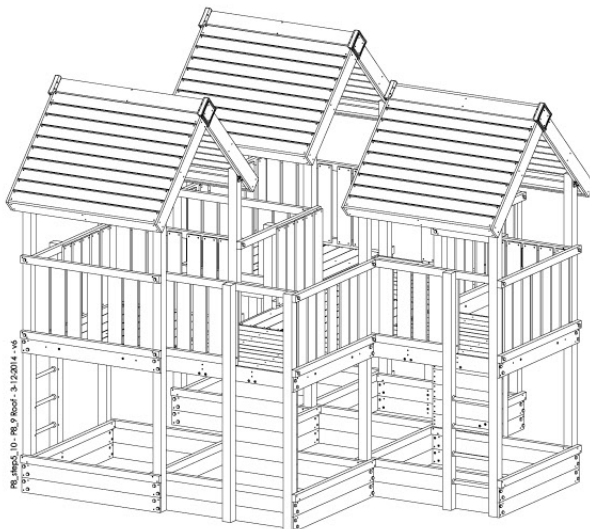
7



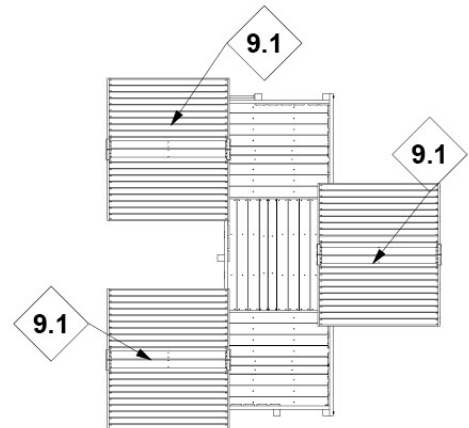
PL\_HMS\_10 - P7,2 - Roof - 3-122014 - v6



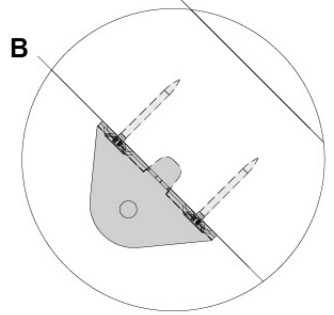
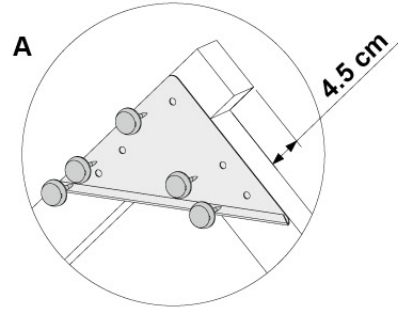
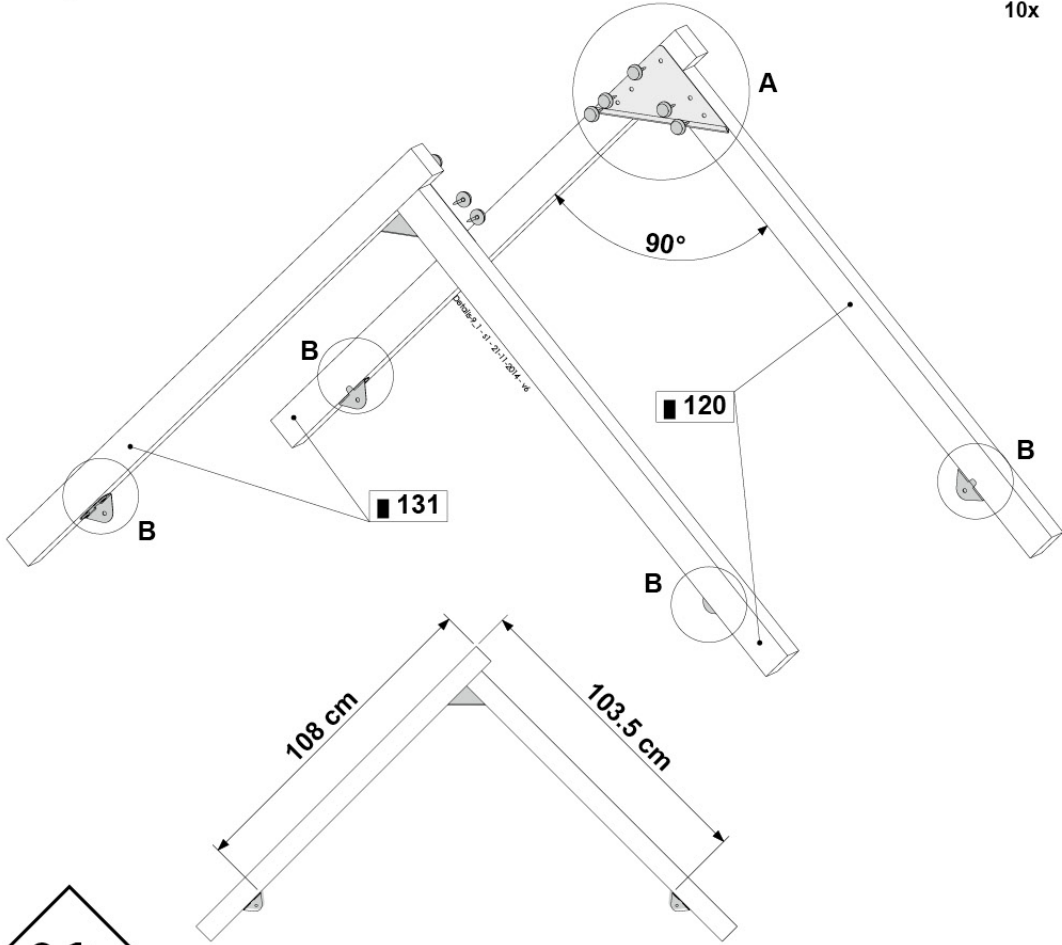
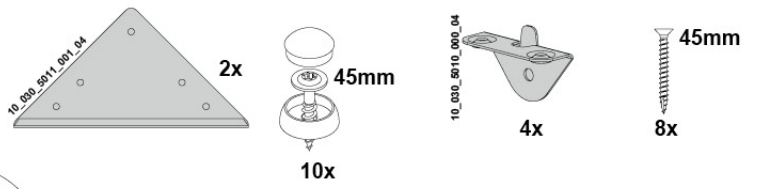
8



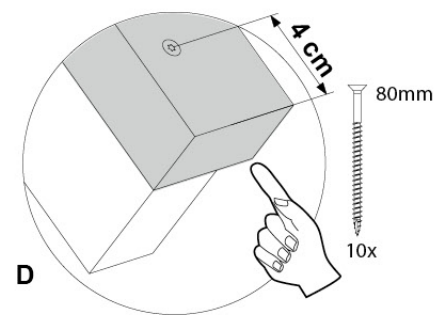
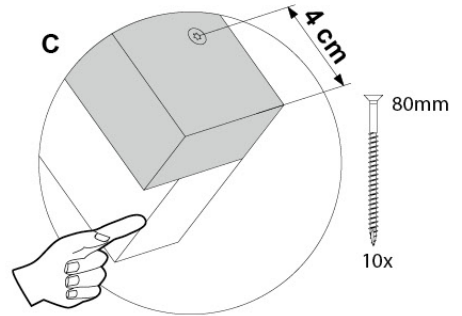
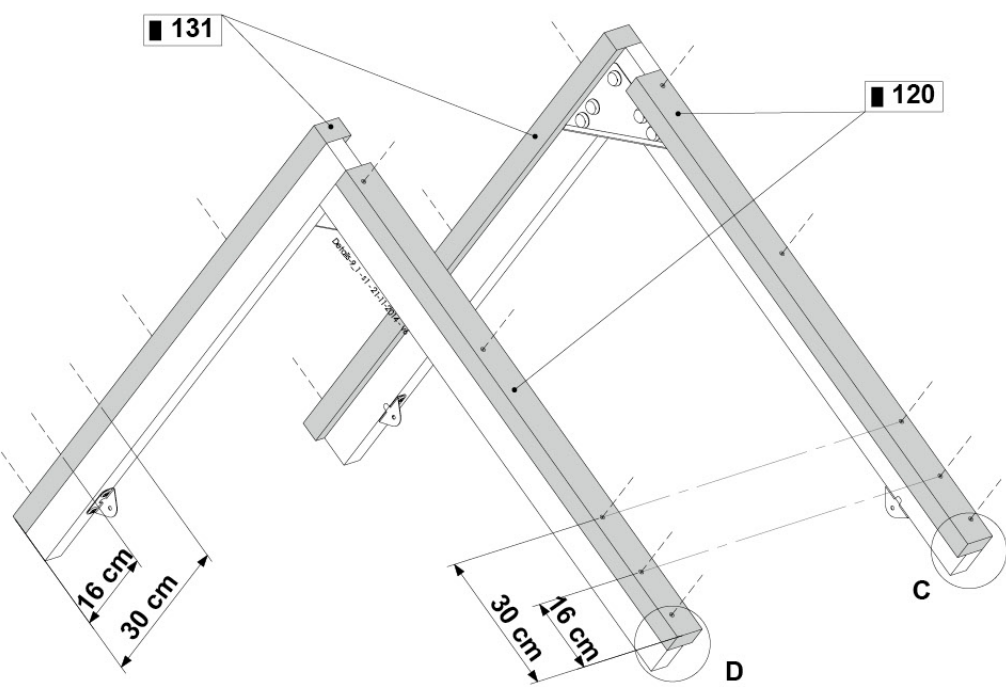
PL\_HMS\_10 - R6,9 - Roof - 3-122014 - v6



**9.1a**

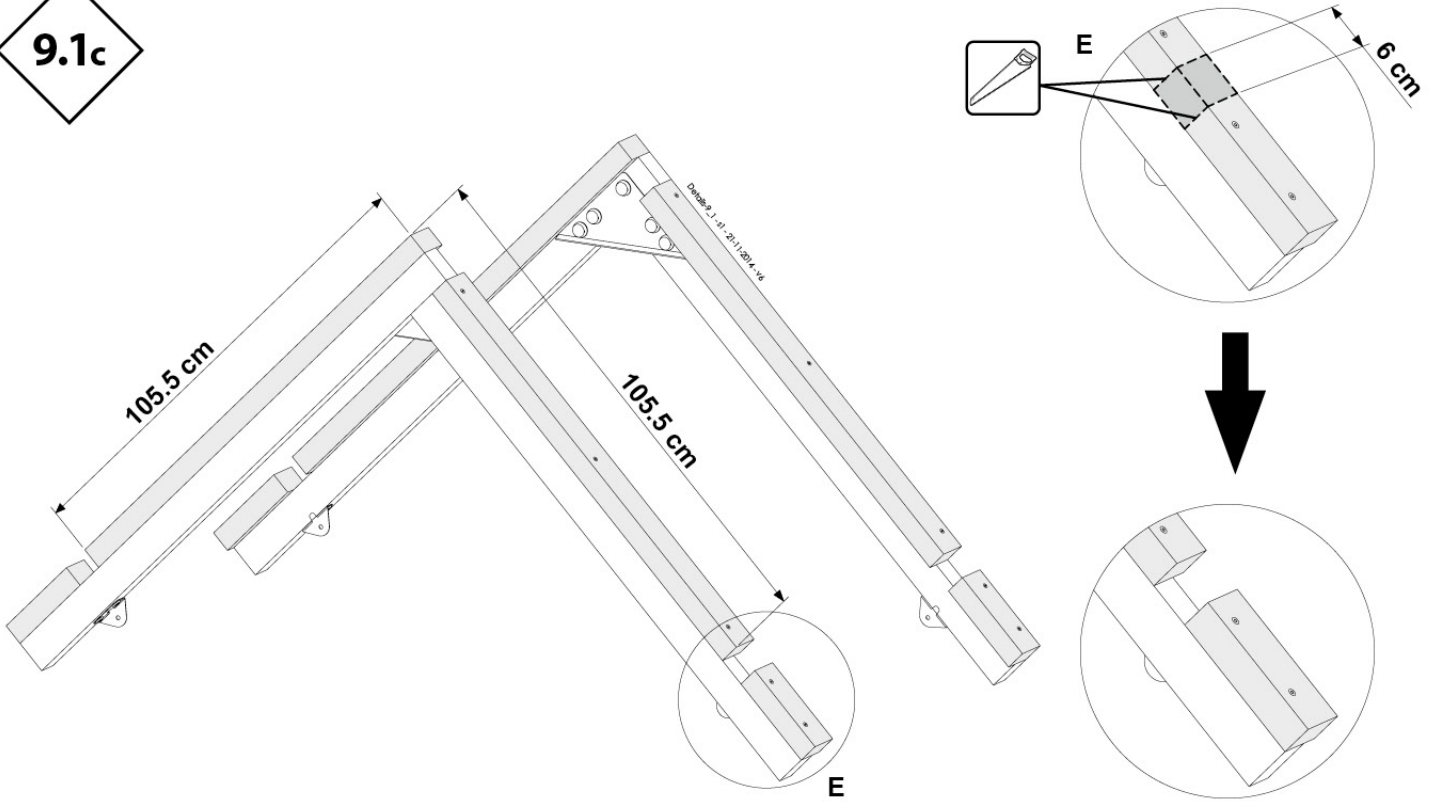


**9.1b**



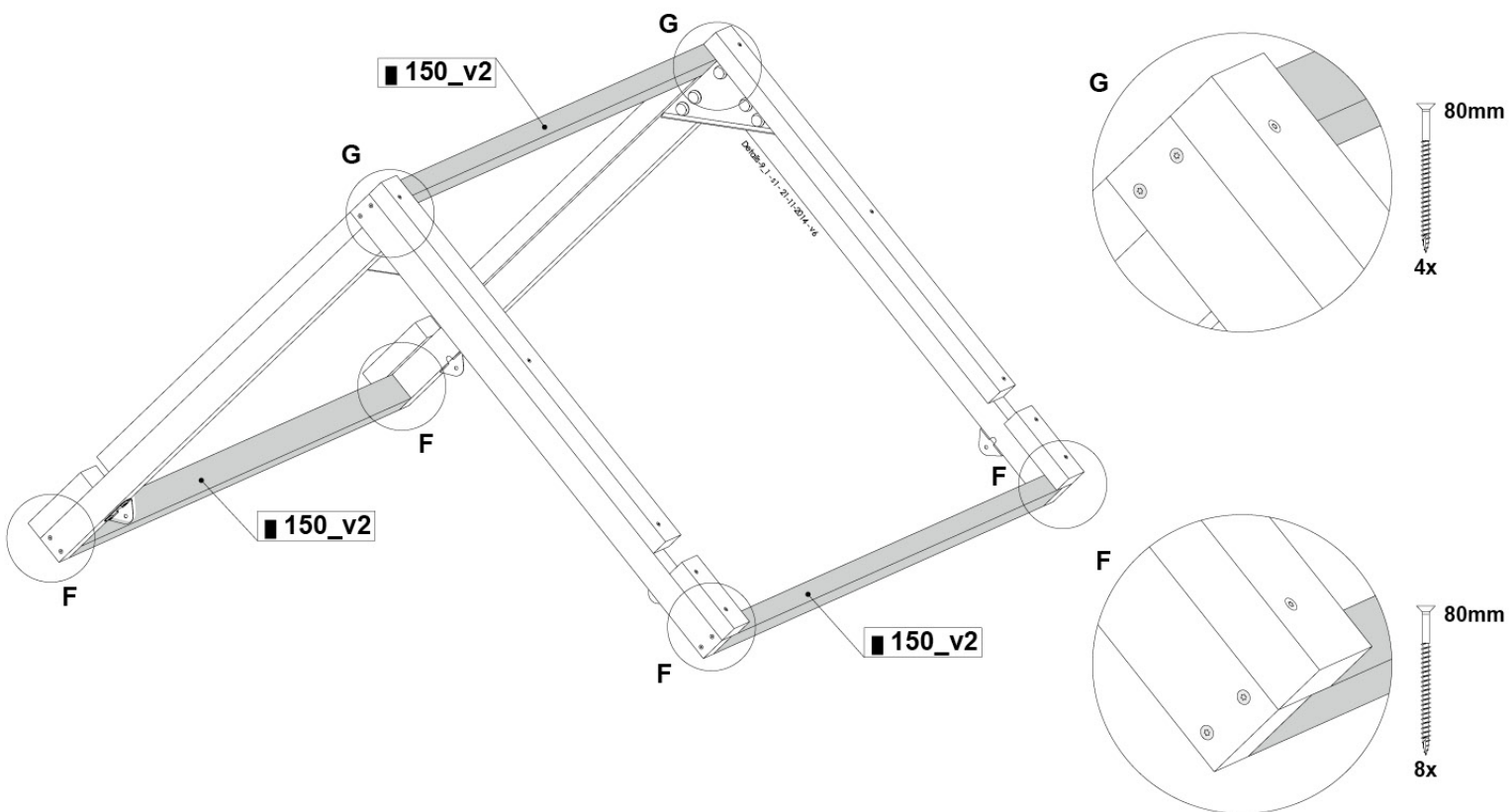


**9.1c**



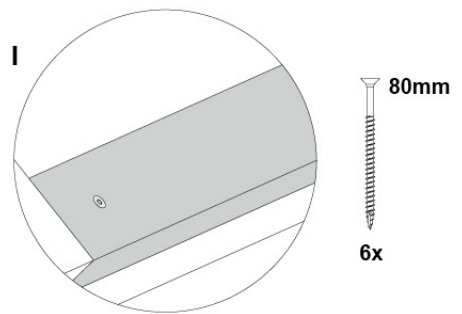
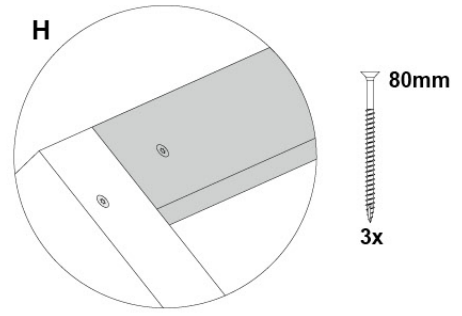
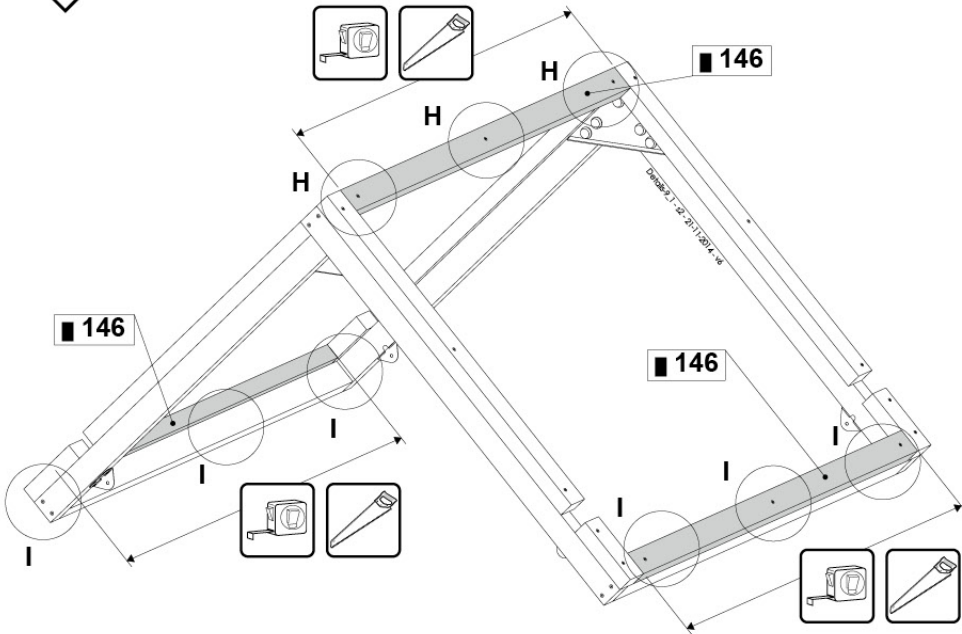
**9.1d**

180°

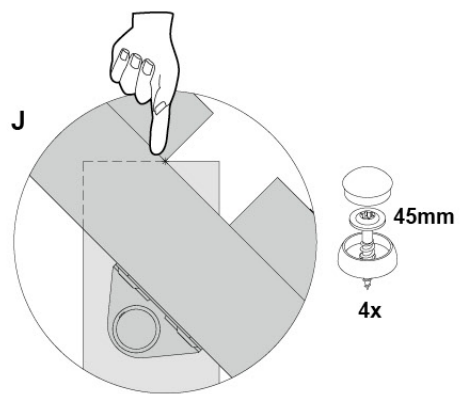
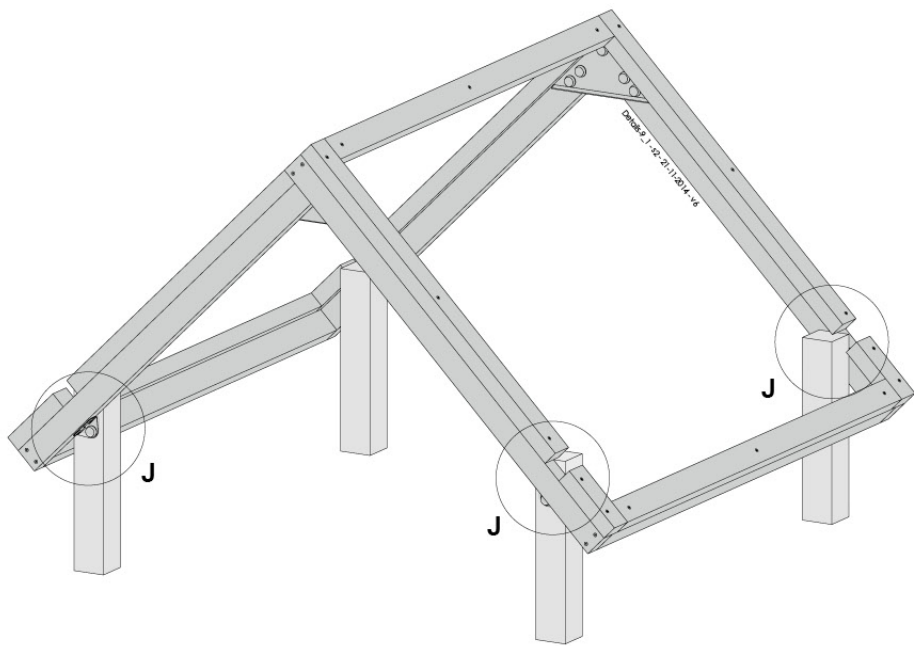




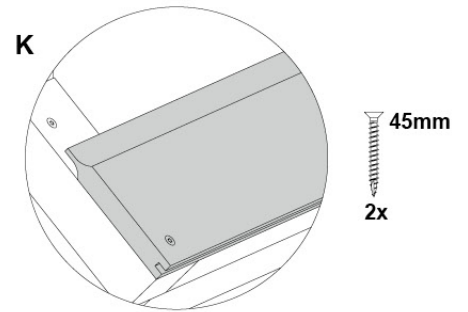
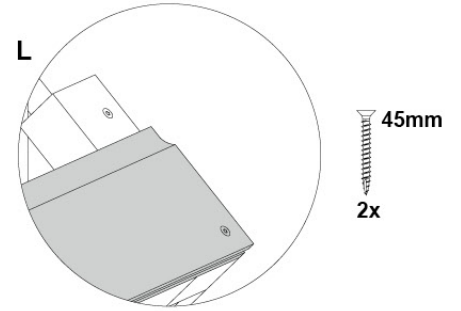
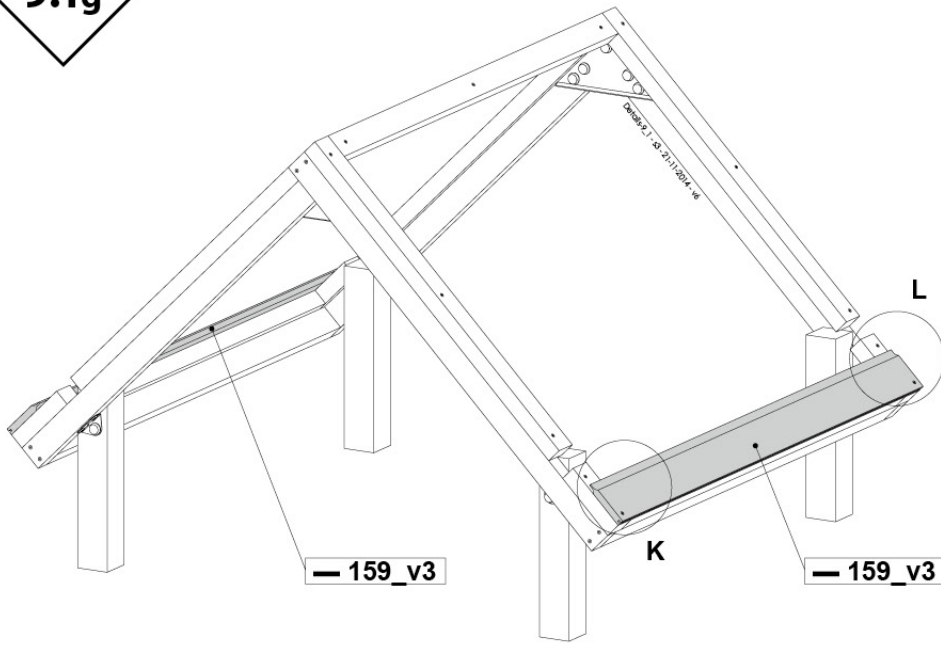
**9.1e**



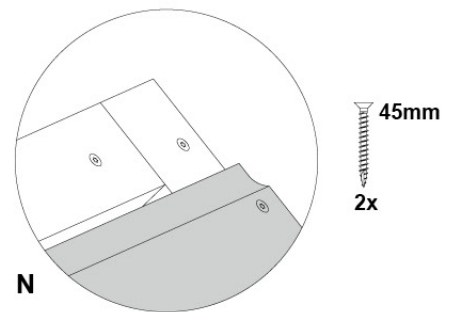
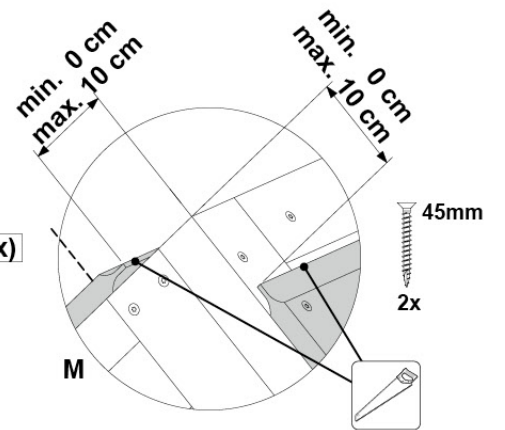
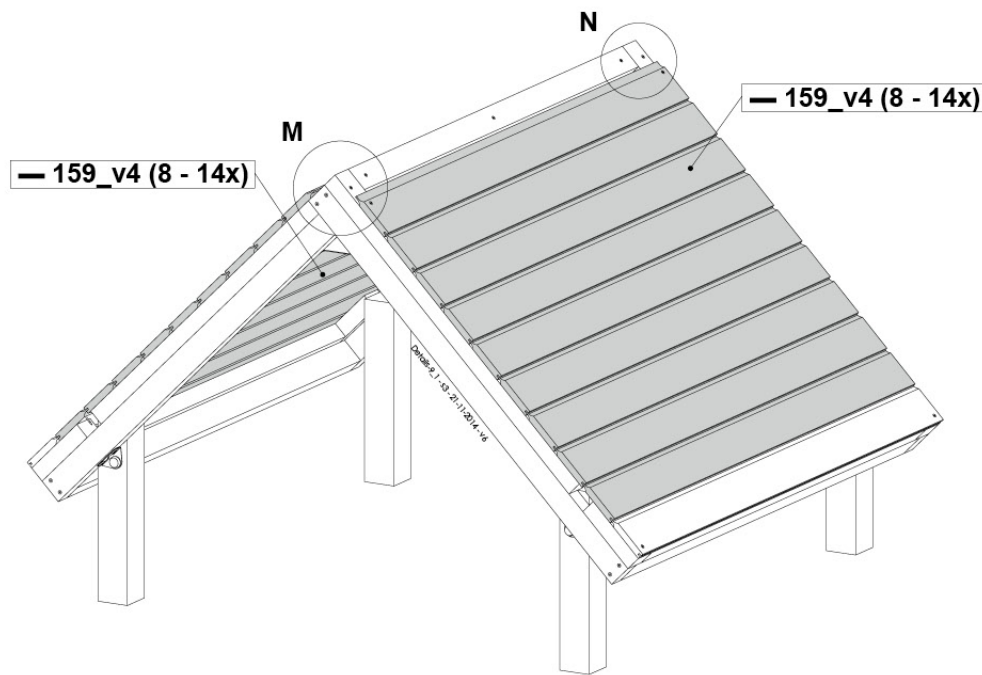
**9.1f**



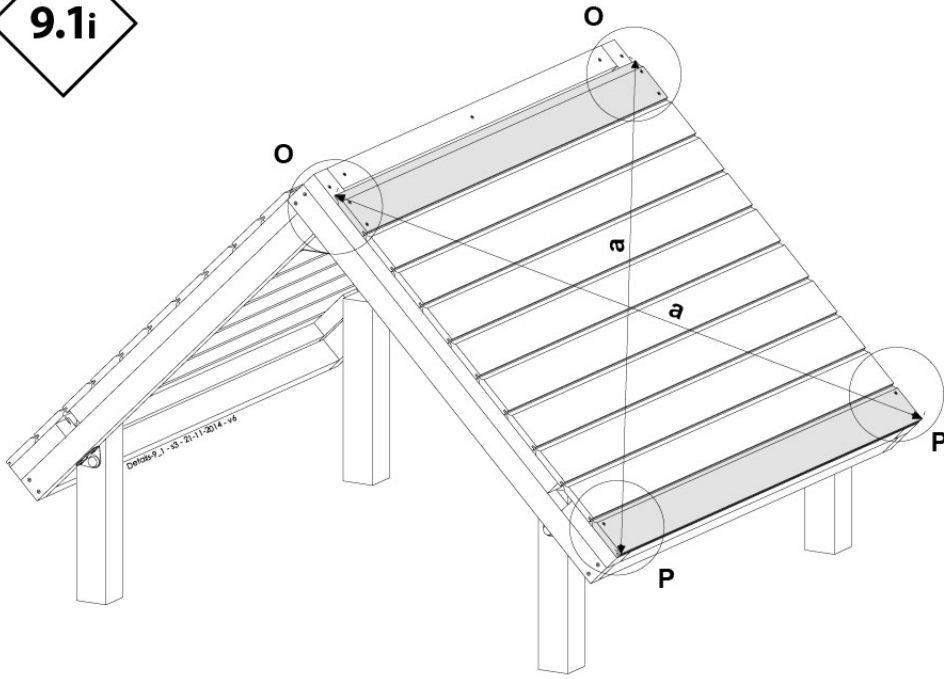
**9.1g**



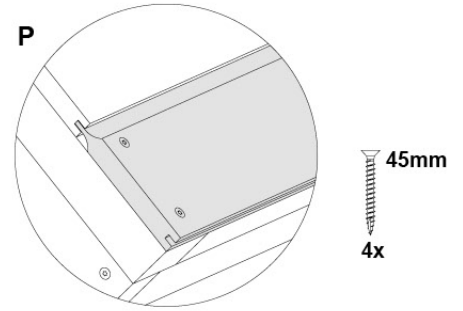
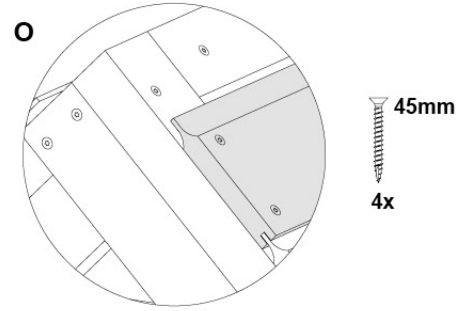
**9.1h**



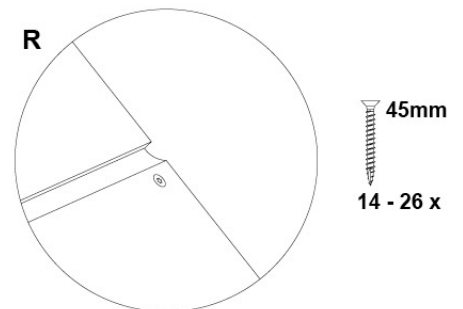
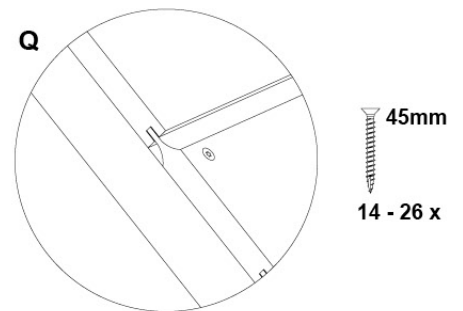
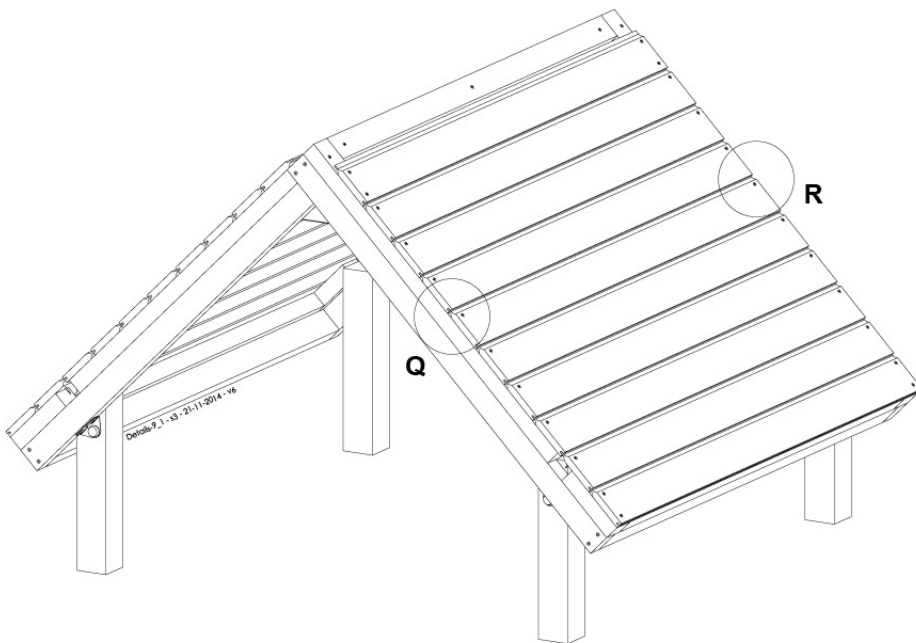
**9.1i**



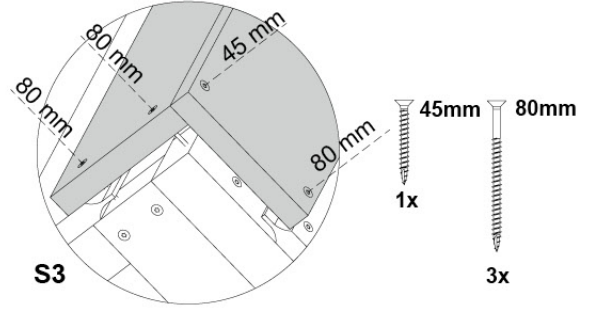
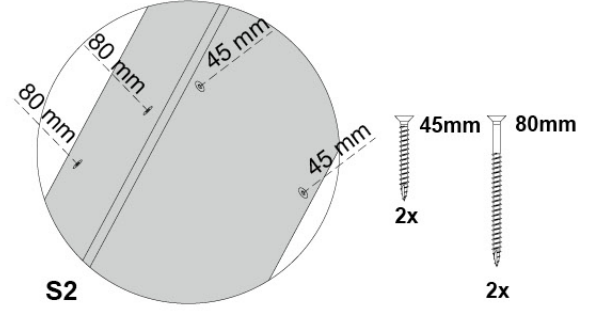
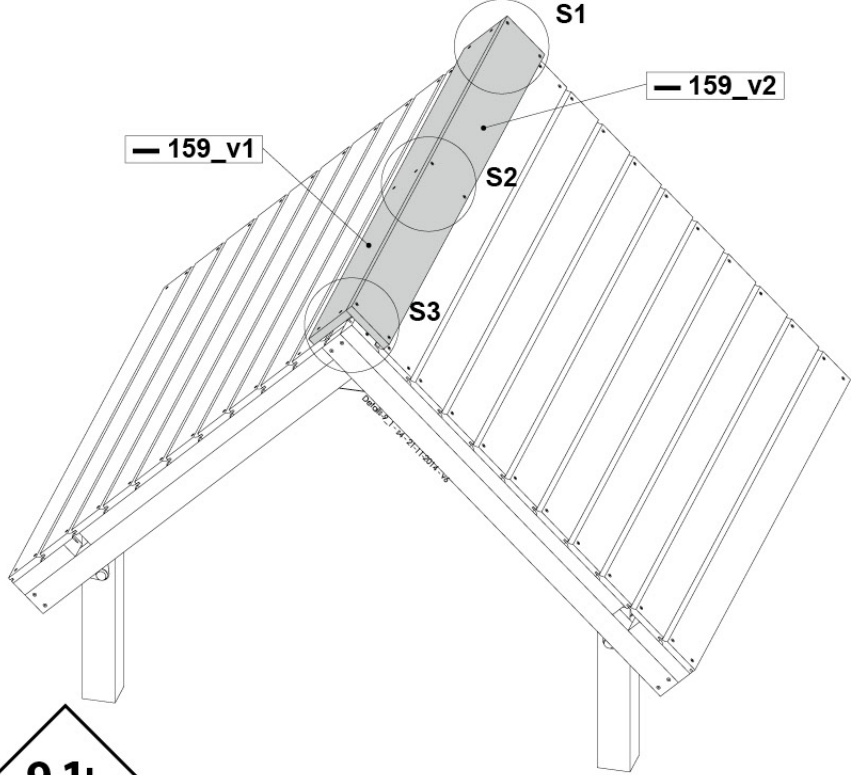
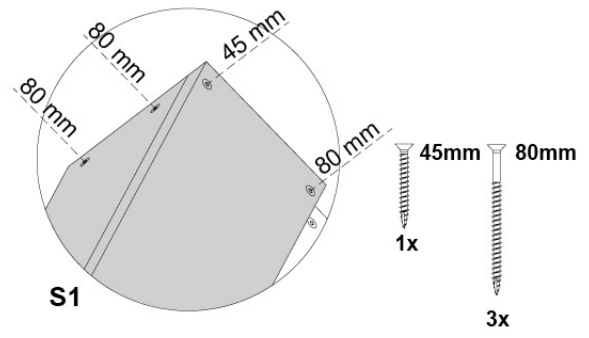
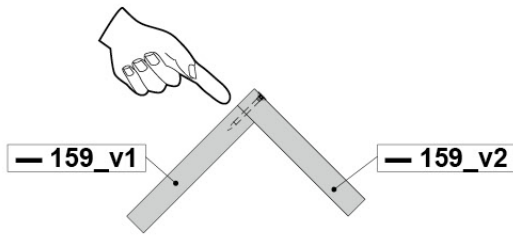
 **a = a**



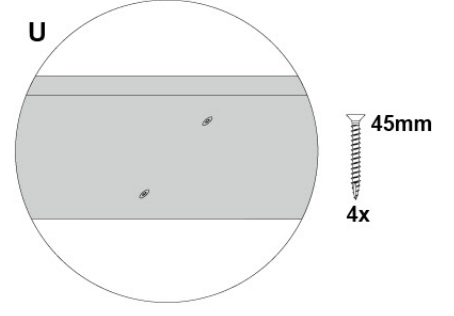
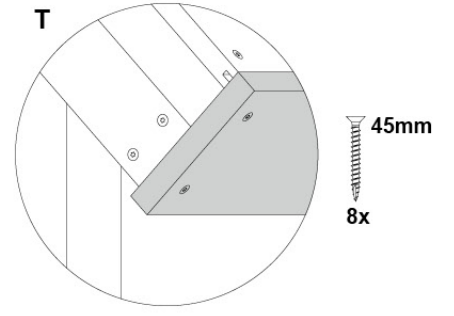
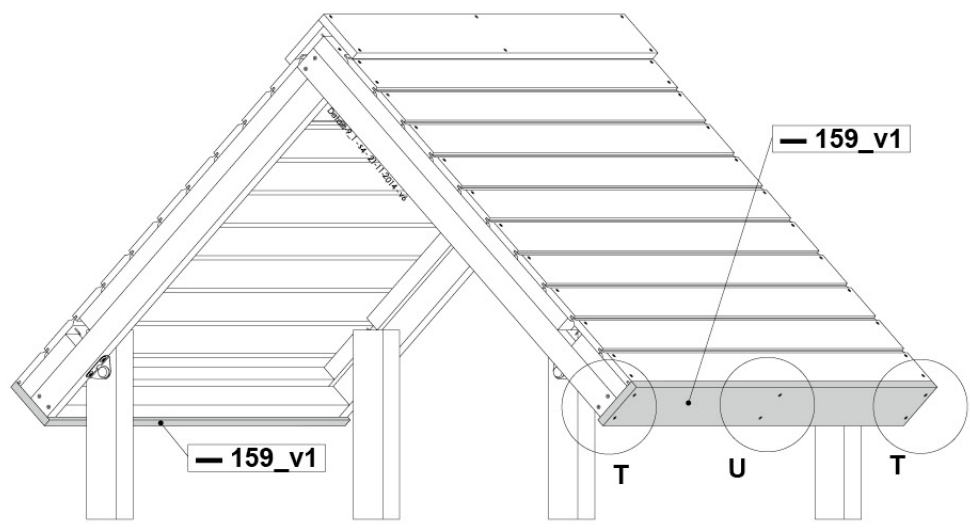
**9.1j**



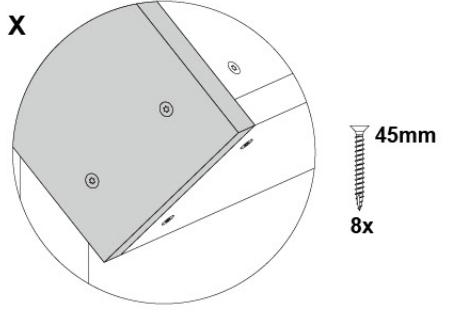
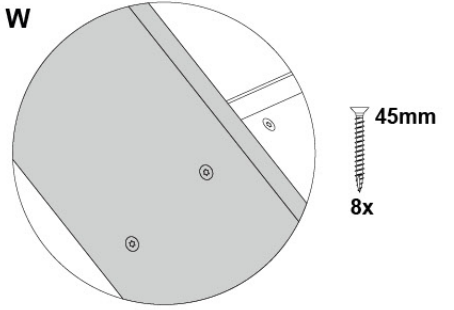
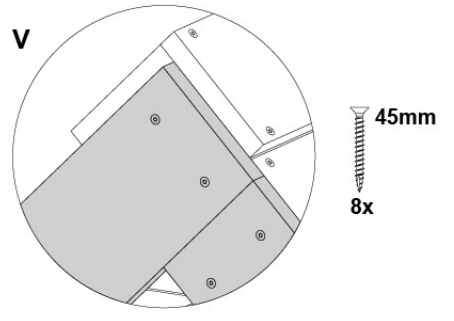
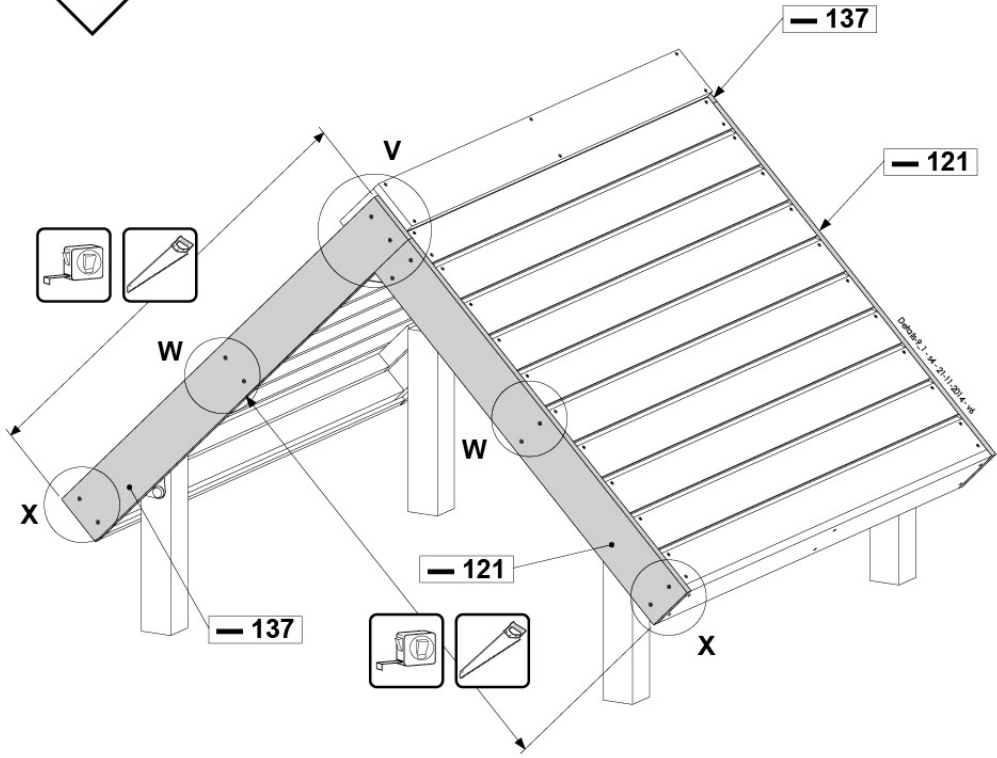
**9.1k**



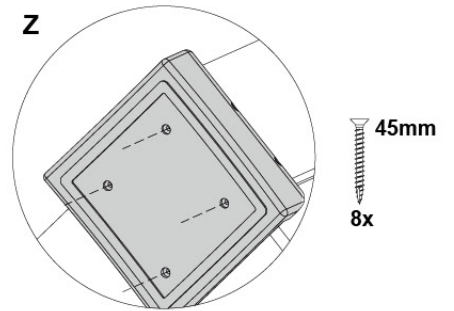
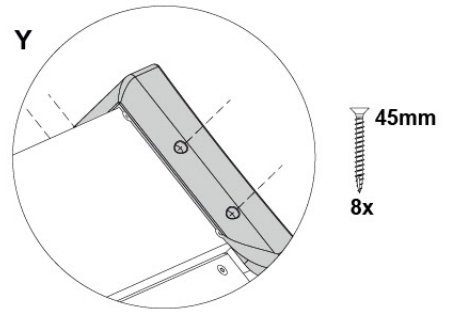
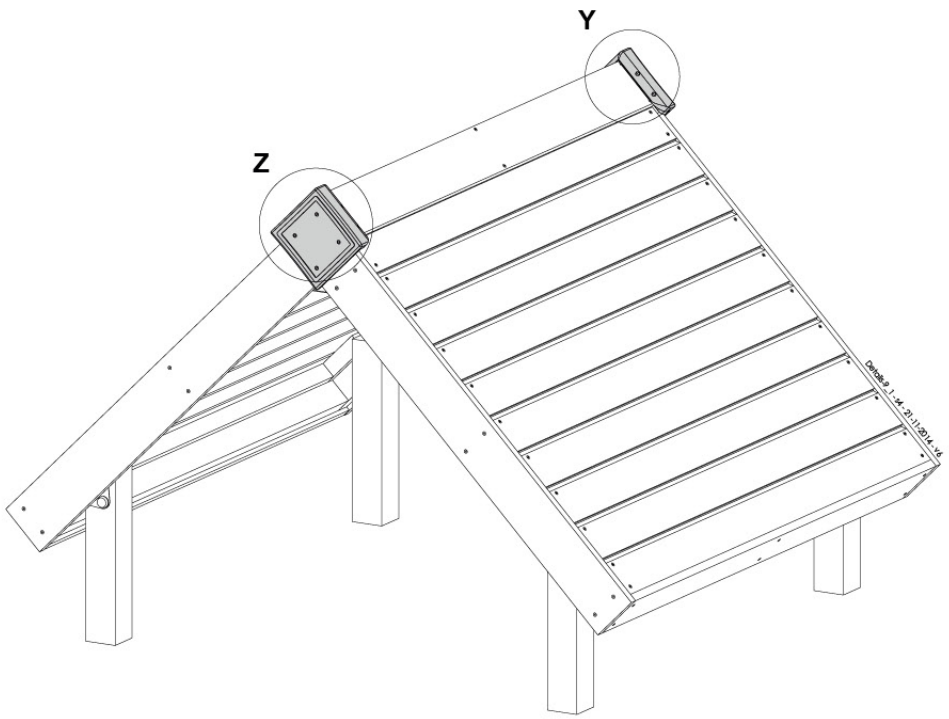
**9.1L**



**9.1m**



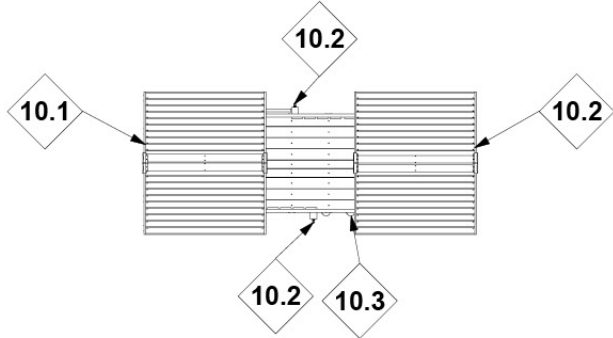
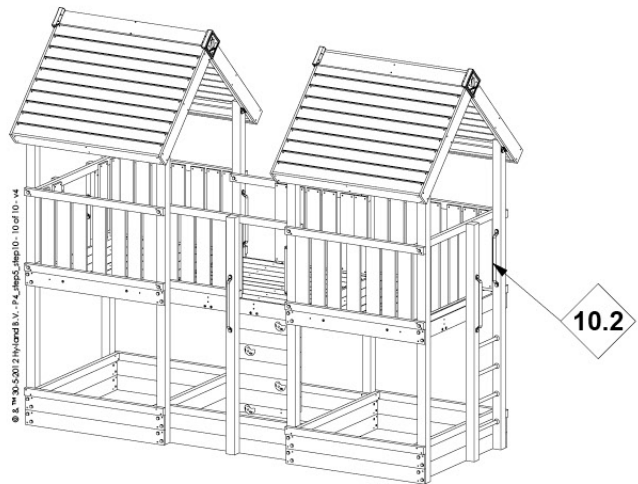
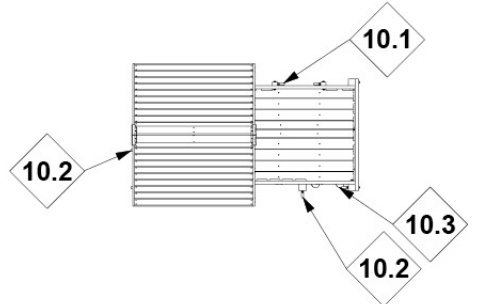
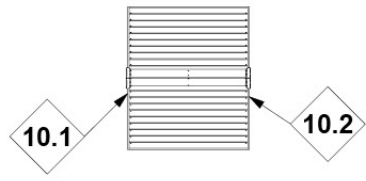
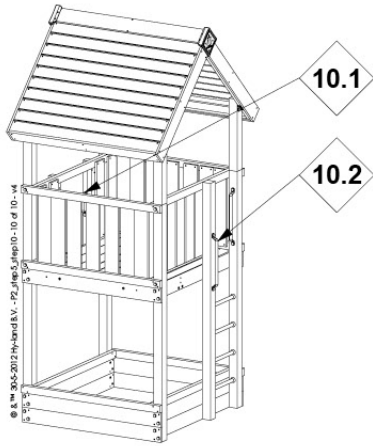
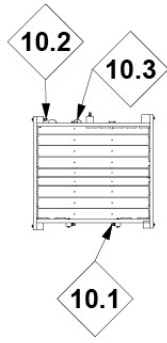
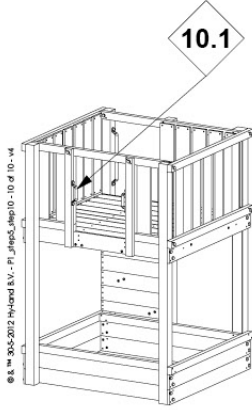
**9.1n**



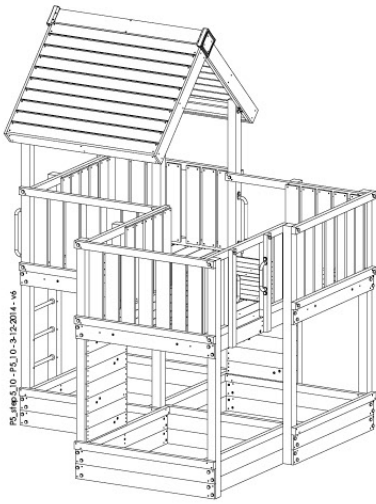




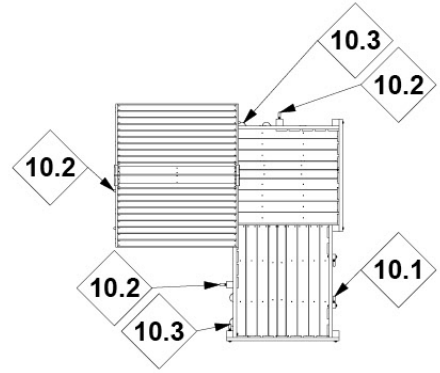
# 10



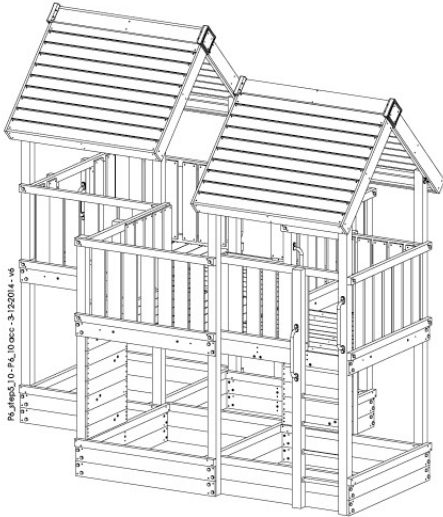
5



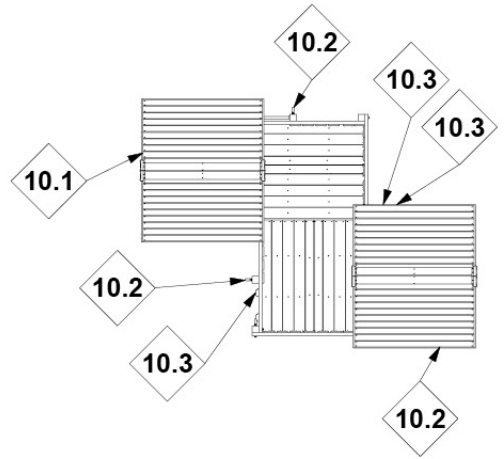
PL\_1065\_10 - P5\_10 - 3.12.2014 v.6



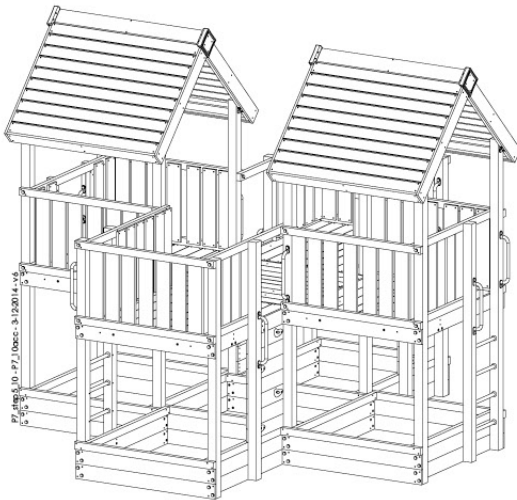
6



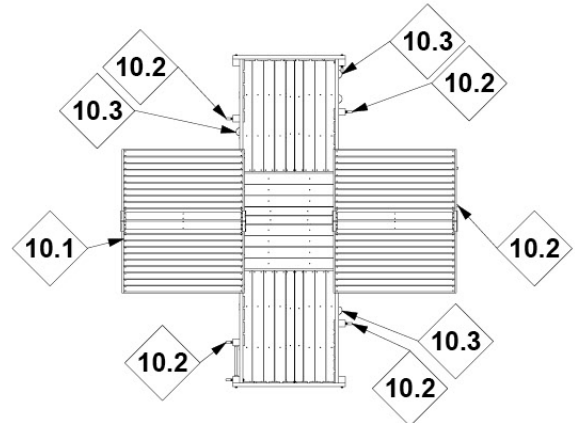
PL\_1065\_10 - P6\_10 - 3.12.2014 v.6



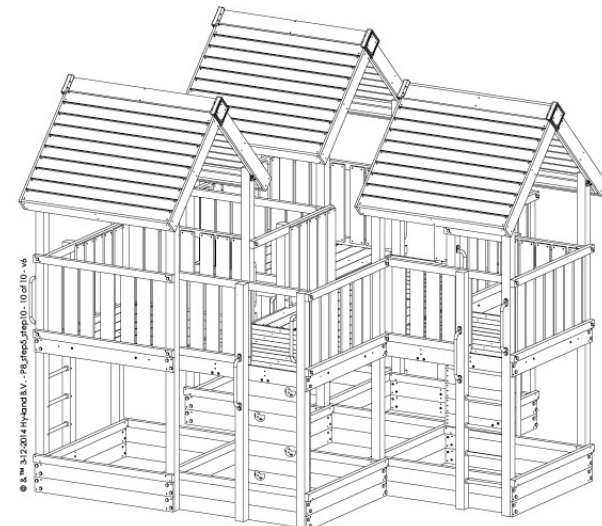
7



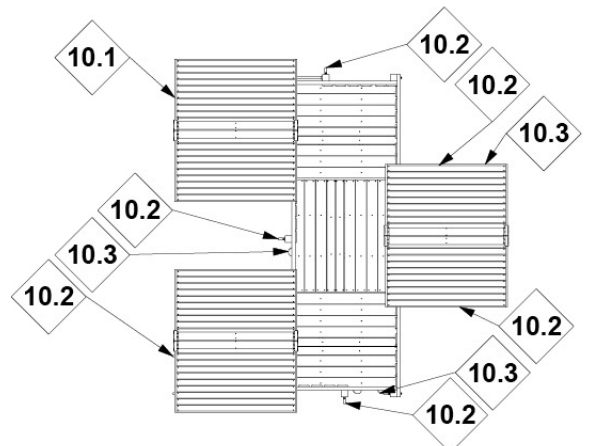
PL\_1065\_10 - P7\_10 - 3.12.2014 v.6



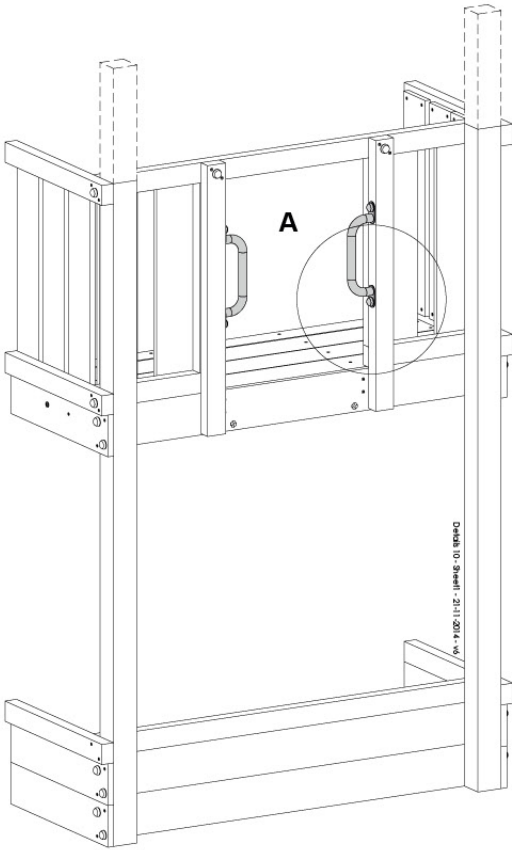
8



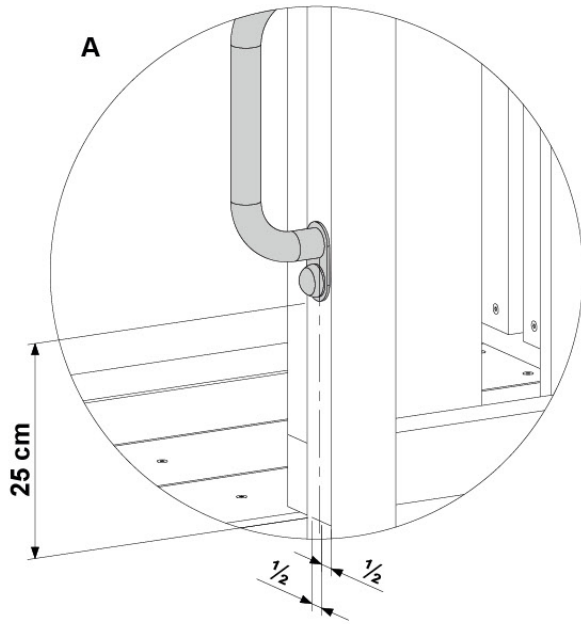
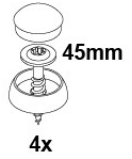
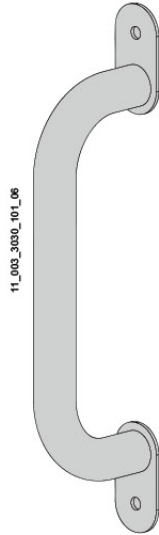
© s.m. 3.12.2014 Hy-Land B.V. - PL\_1065\_10 - 10 of 10 v.6



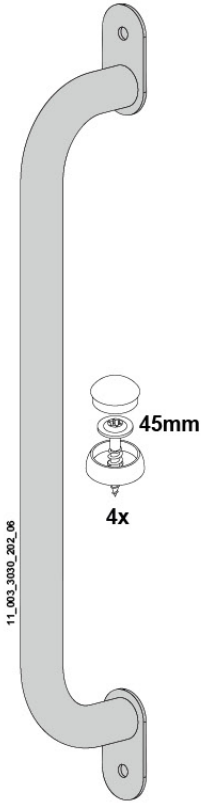
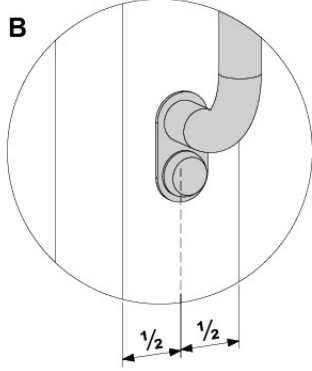
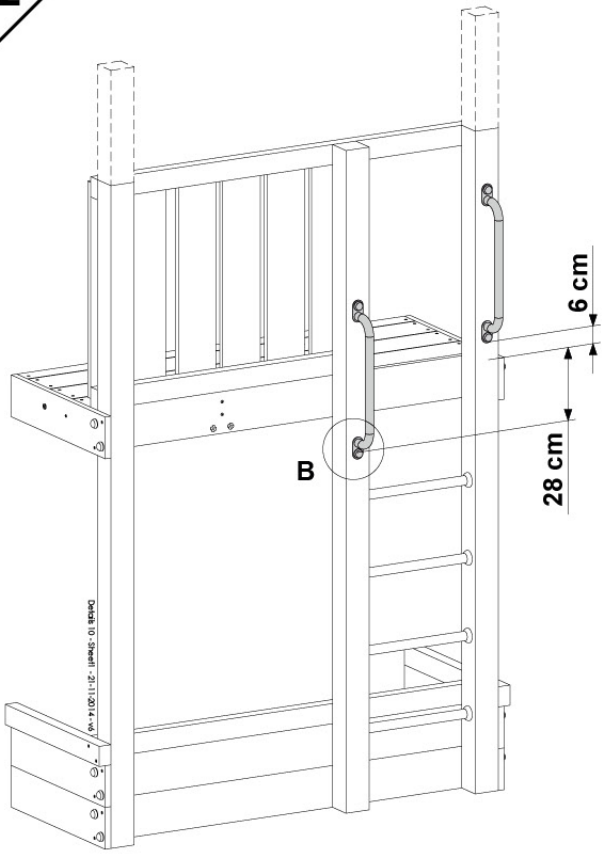
10.1



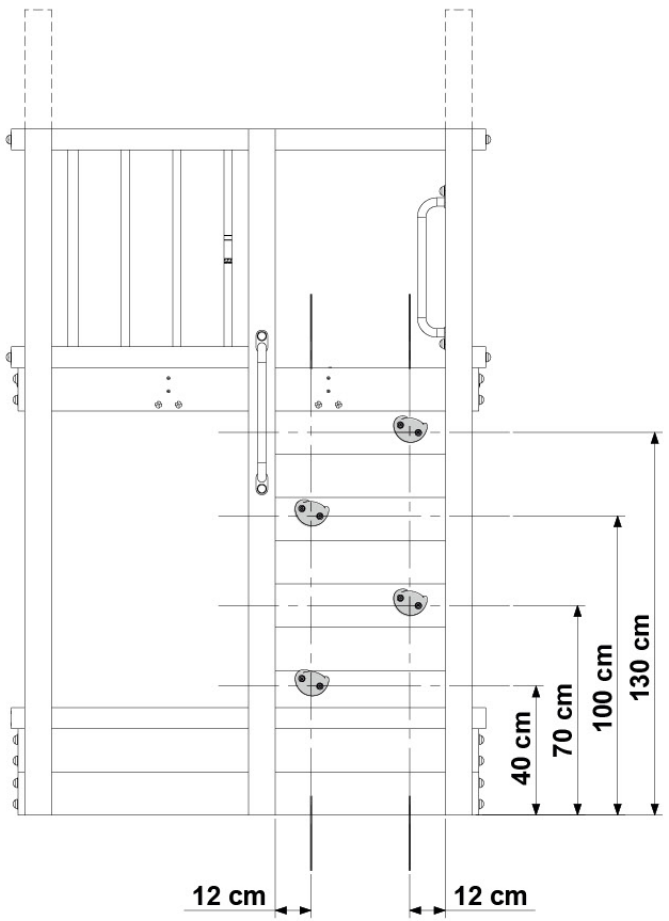
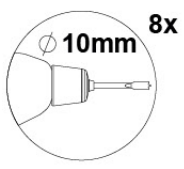
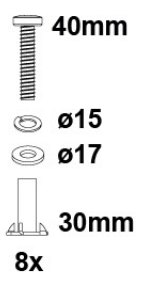
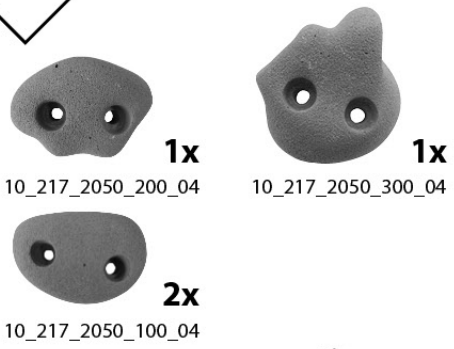
4x



# 10.2

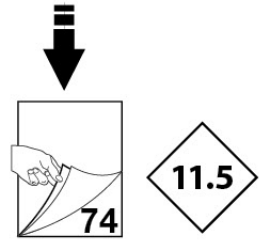
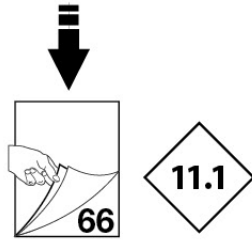
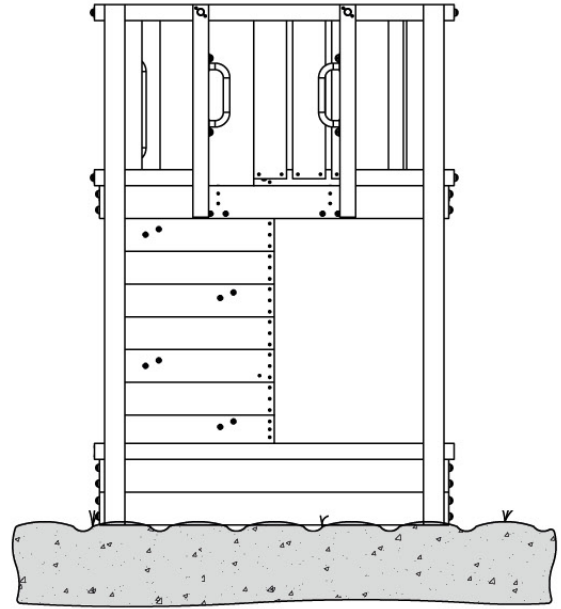
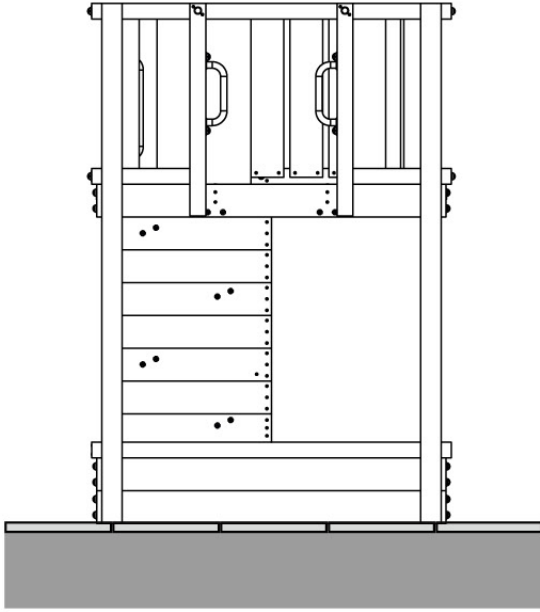


# 10.3



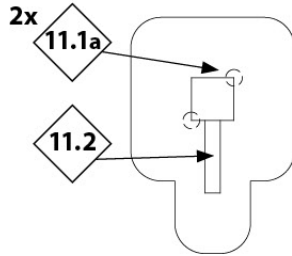
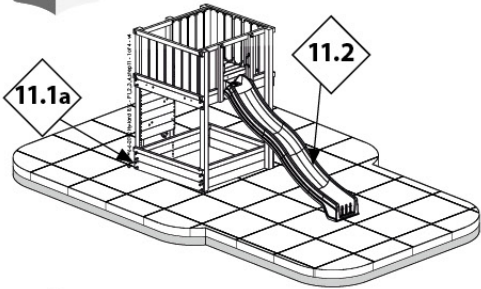


11

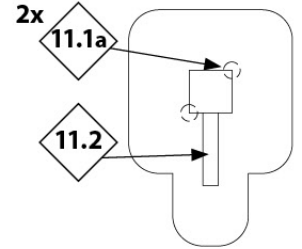
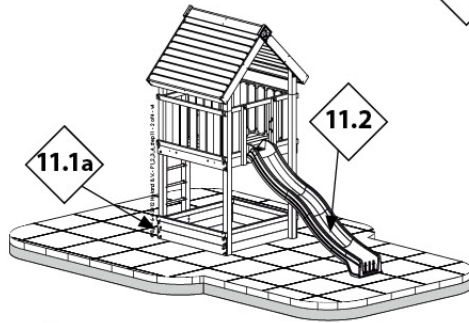


11.1

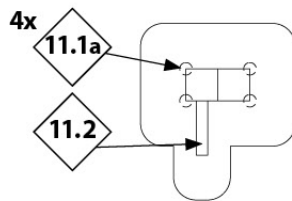
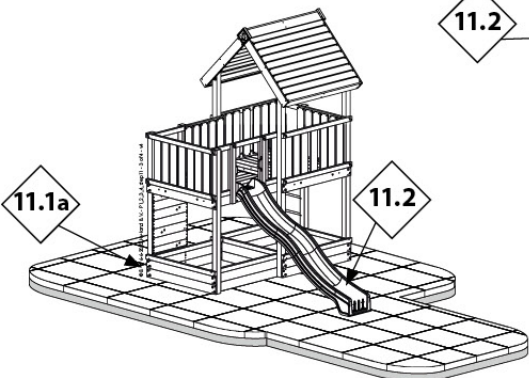
P1



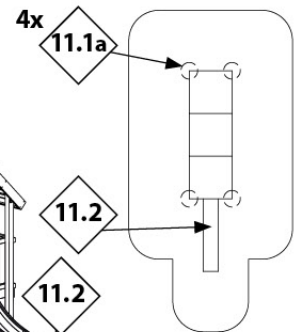
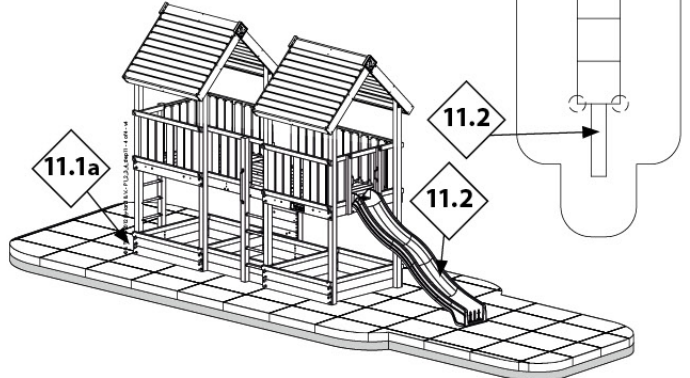
P2



P3

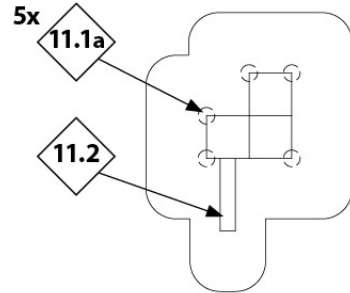
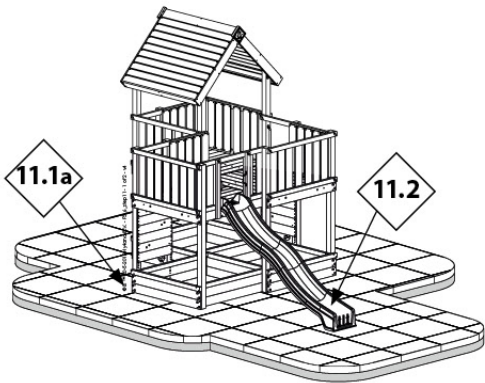


P4

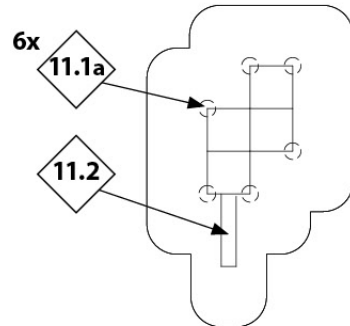
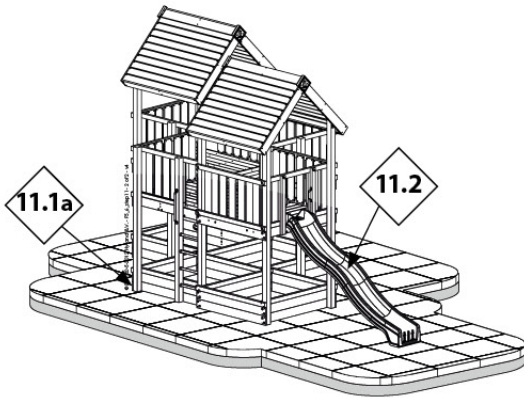


# 11.1

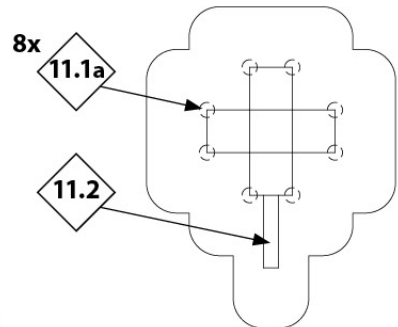
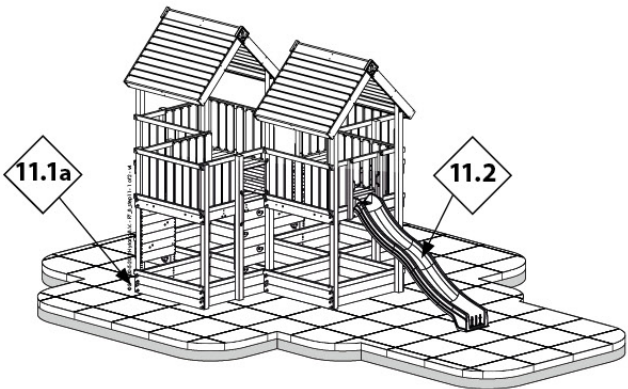
P5



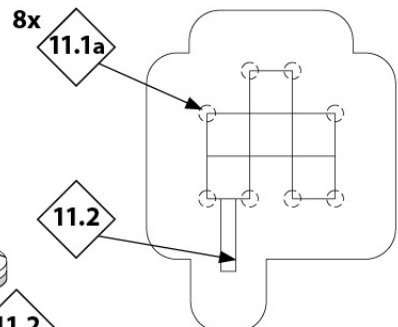
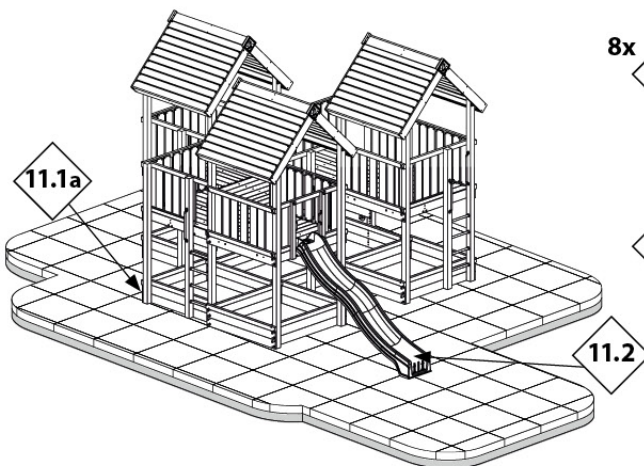
P6



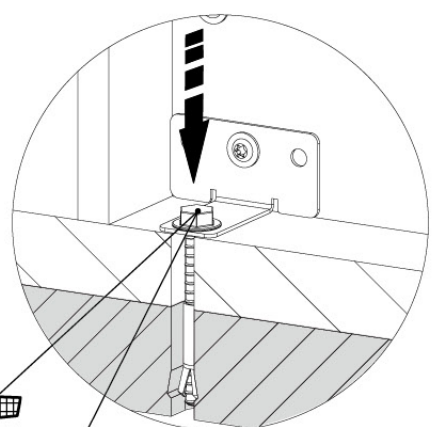
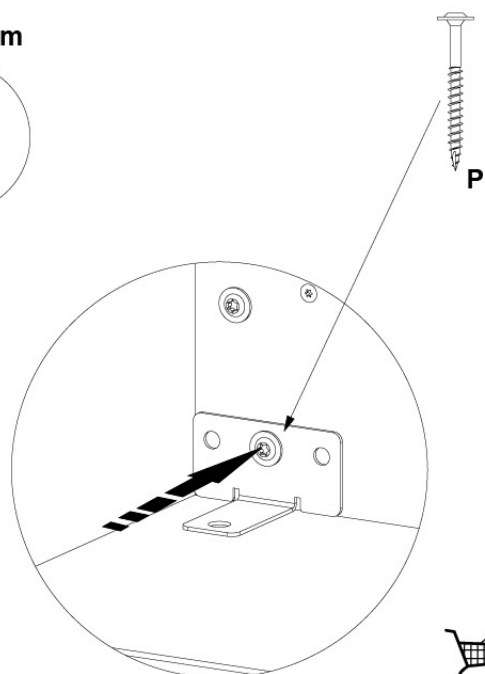
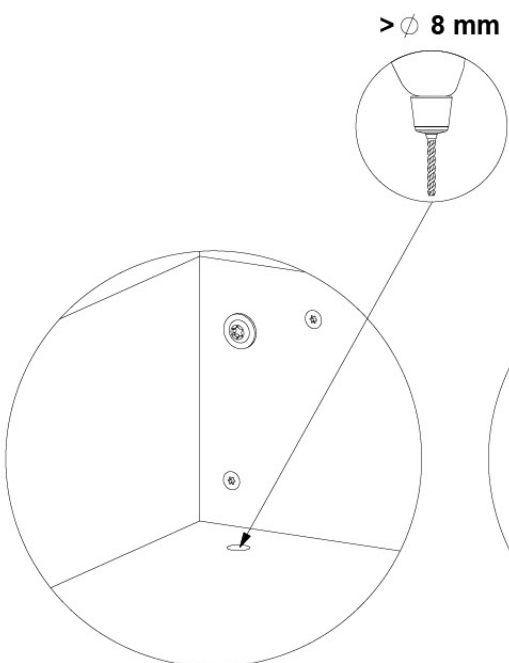
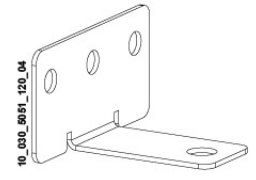
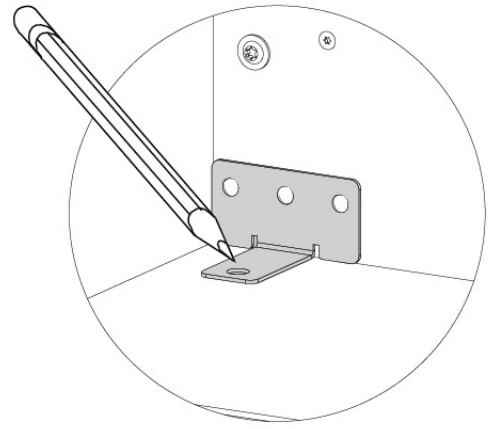
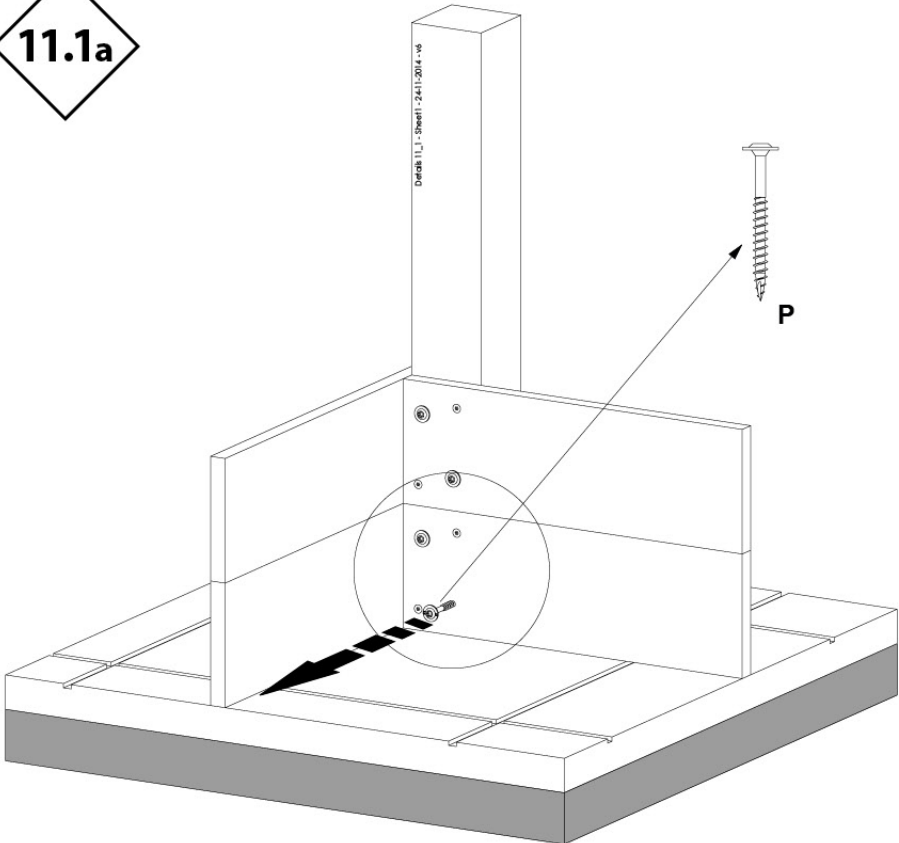
P7



P8



11.1a



**i** Part 1

11.1a

11.2



**Polyethylene  
Slide**



11.3



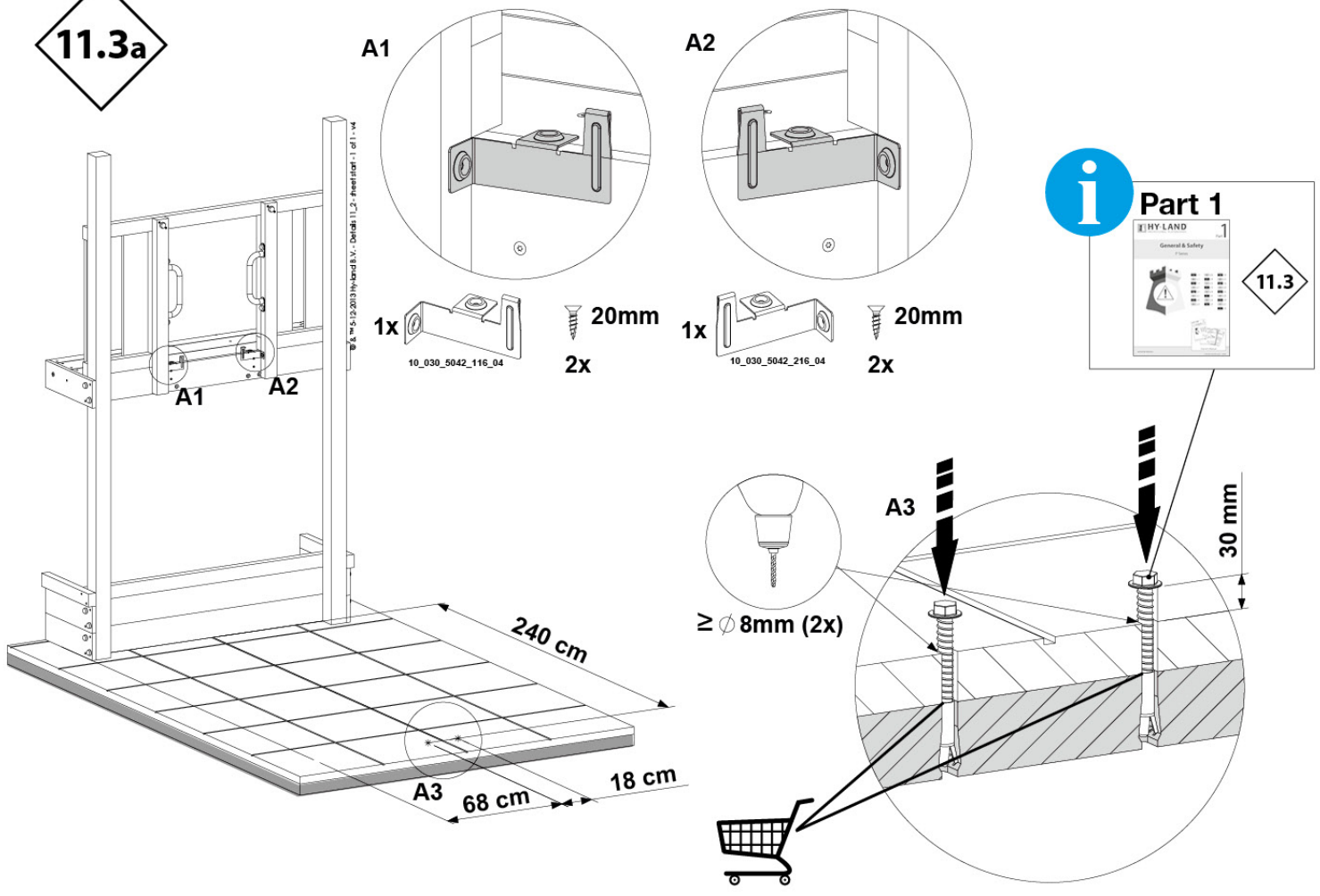
**Stainless Steel  
Slide**



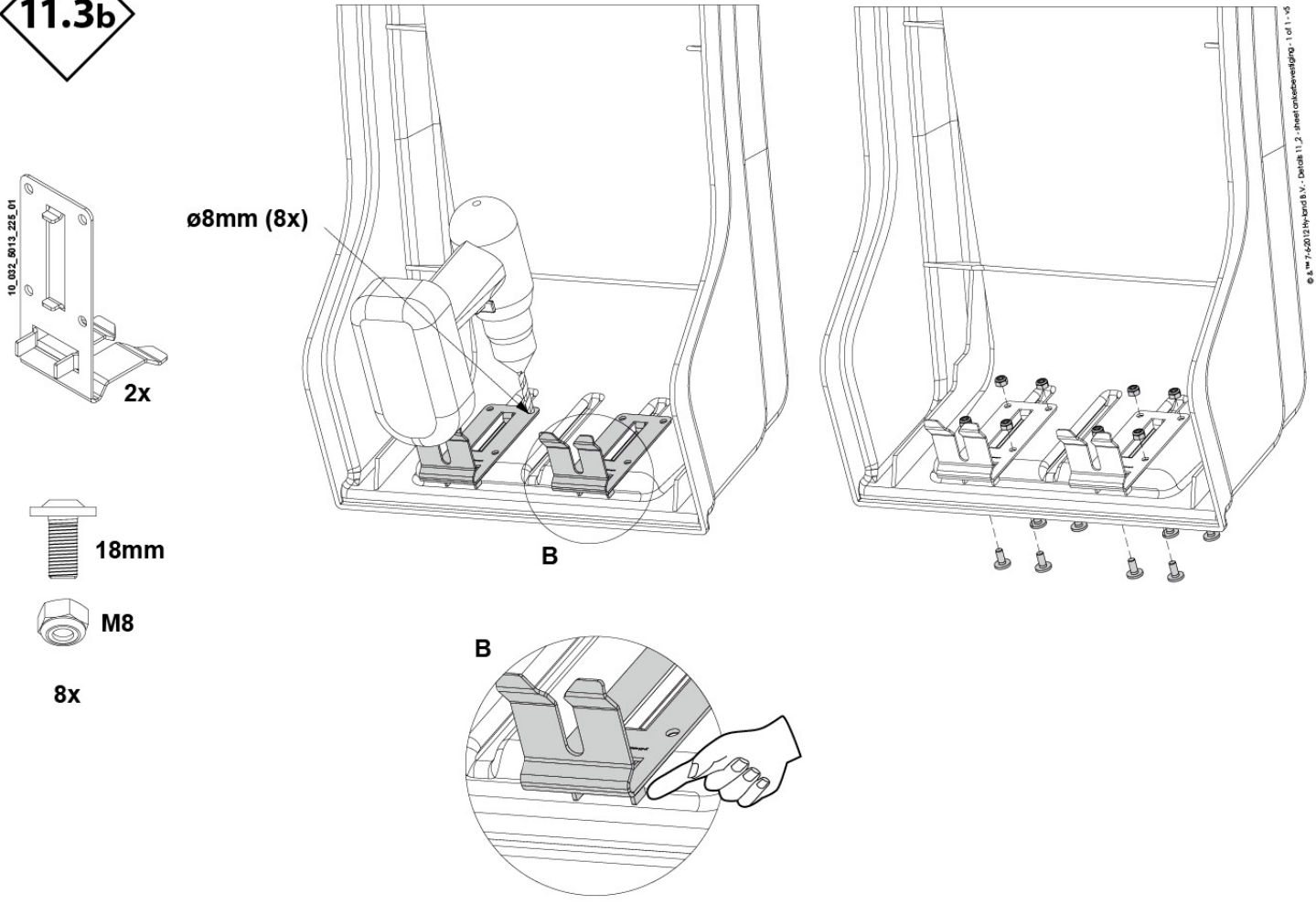
11.4



**11.3a**

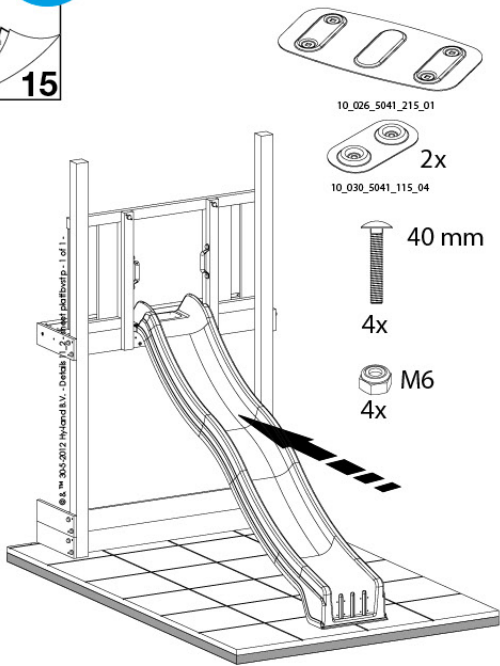


**11.3b**

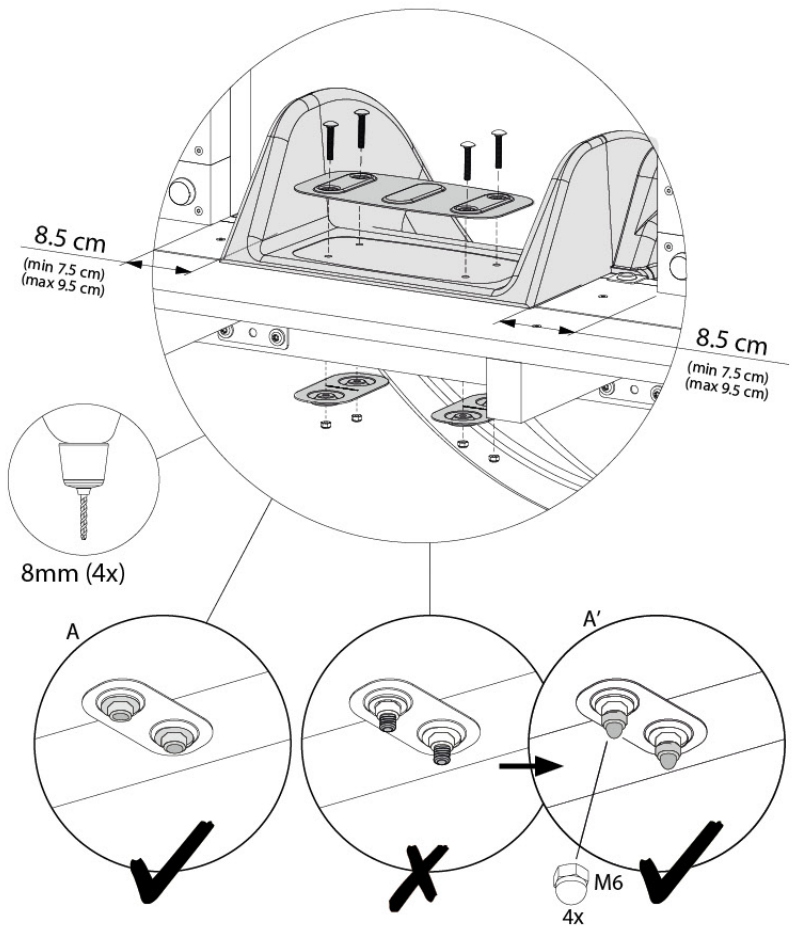




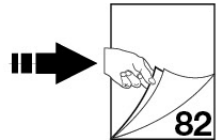
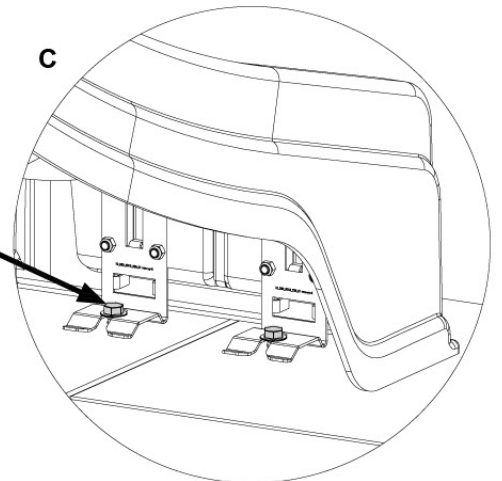
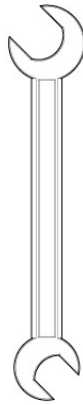
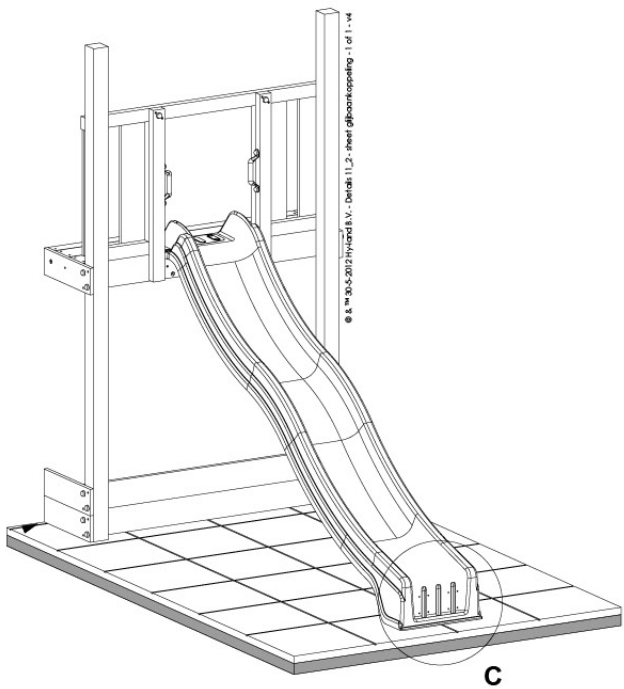
11.3c



4x

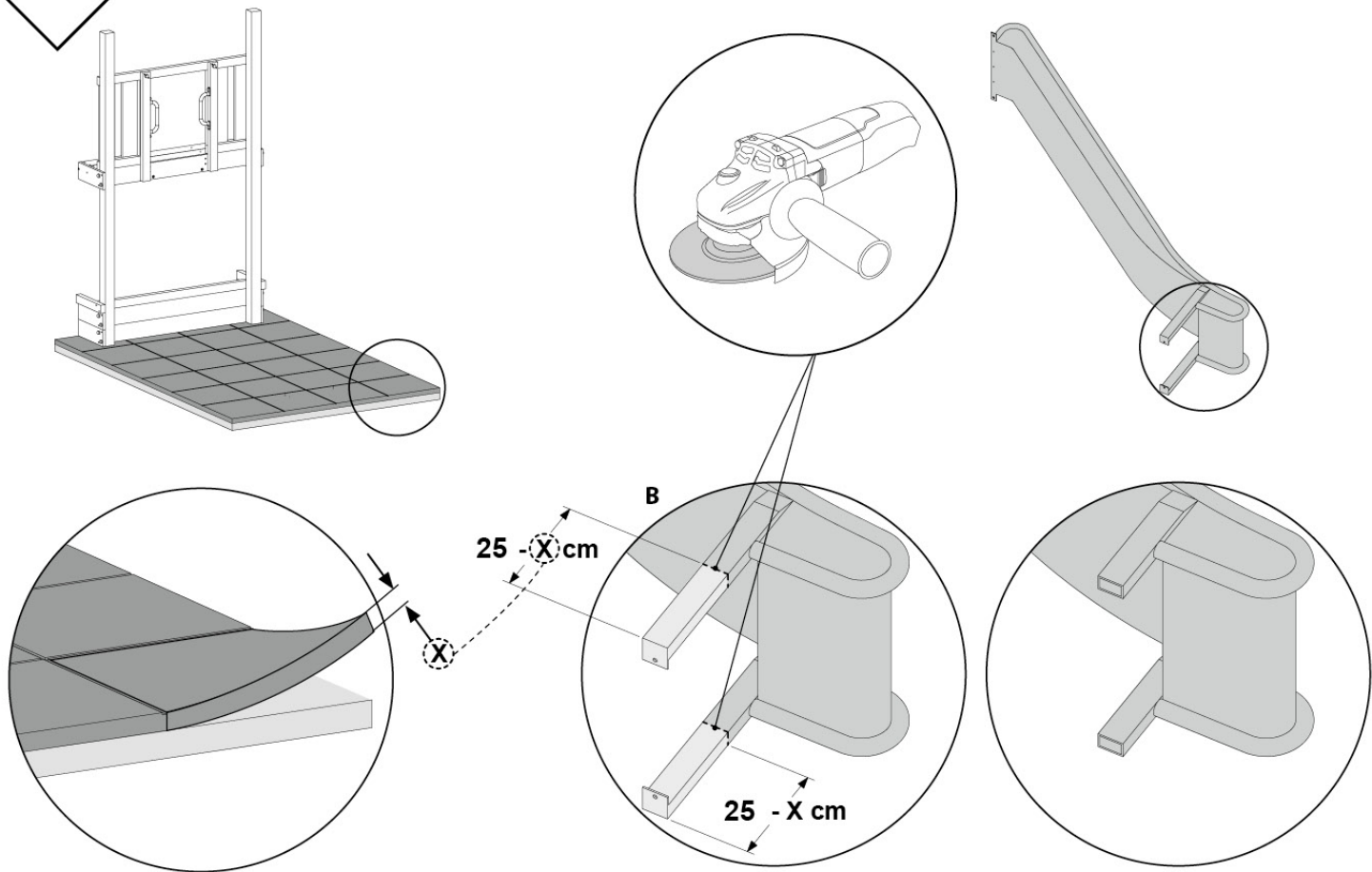


11.3d



12

**11.4a**



**11.4a**

