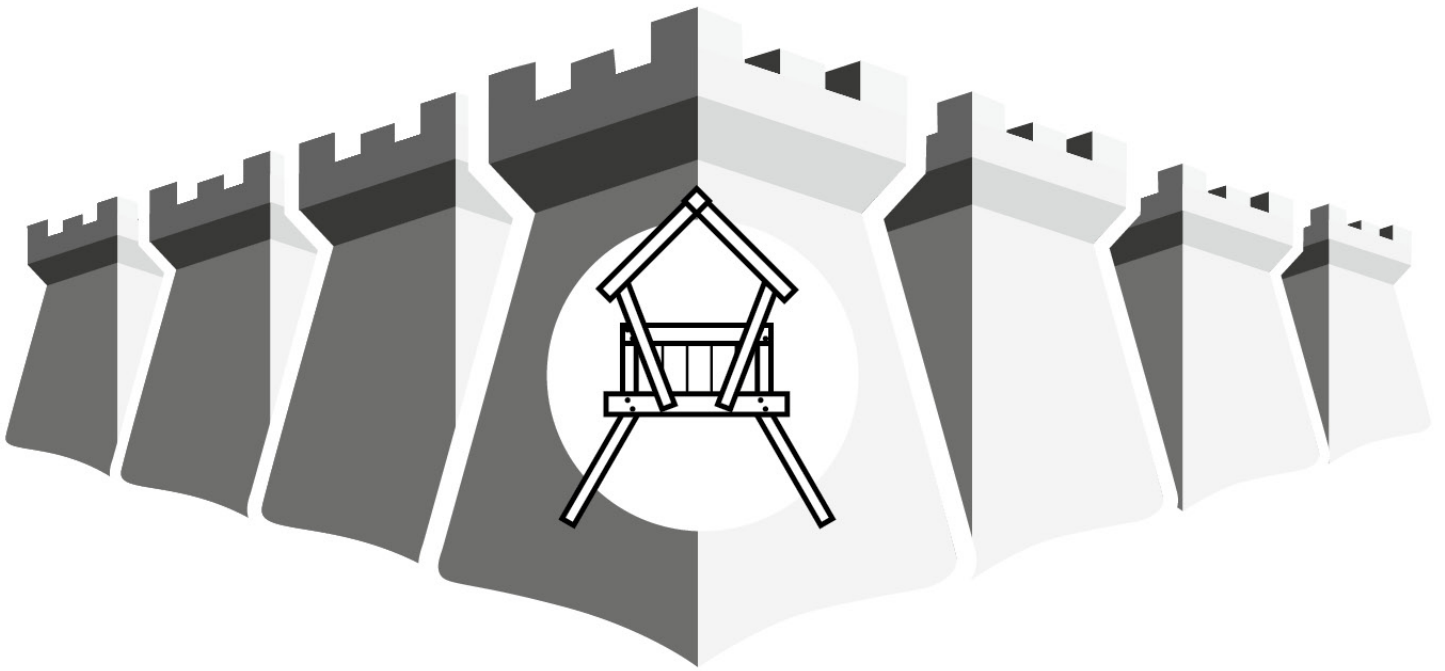


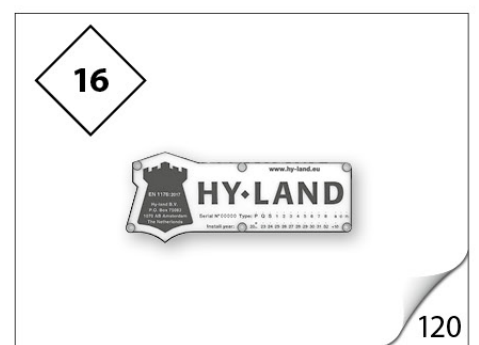
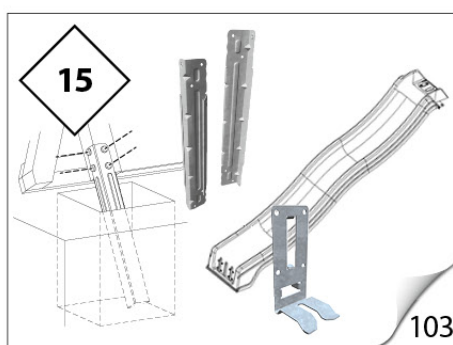
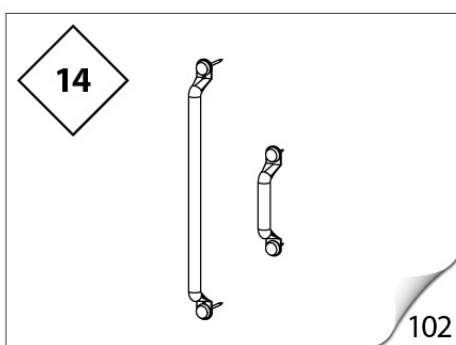
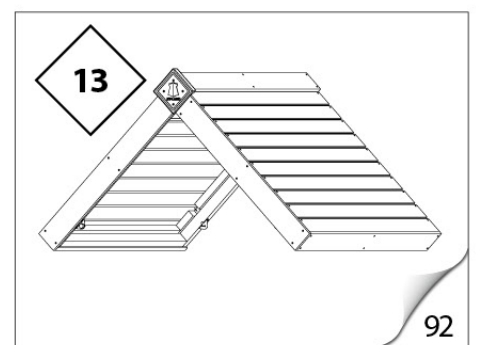
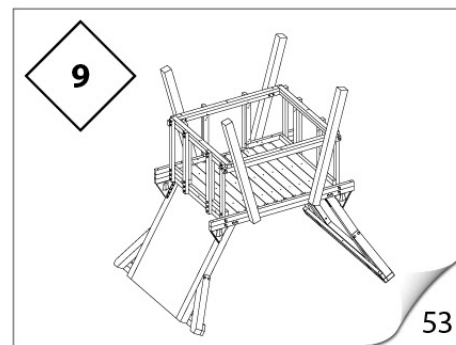
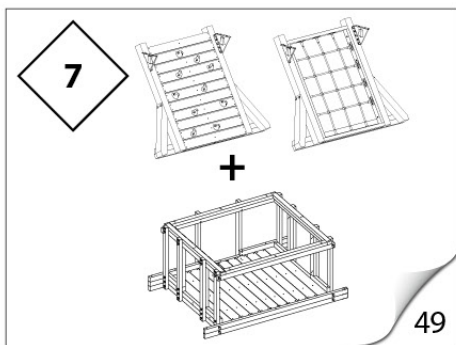
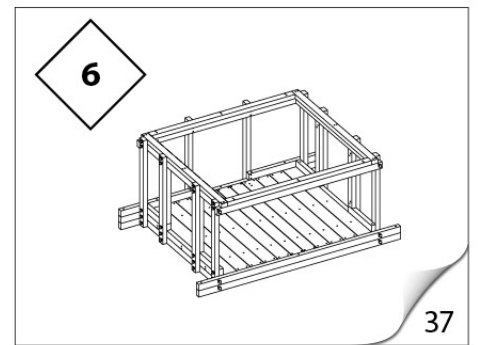
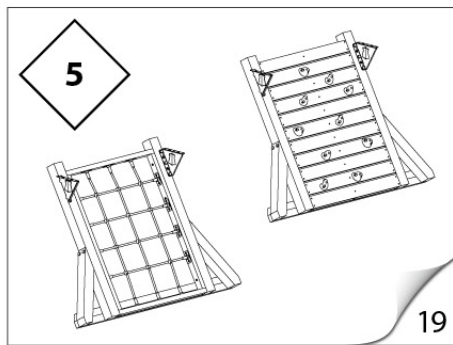
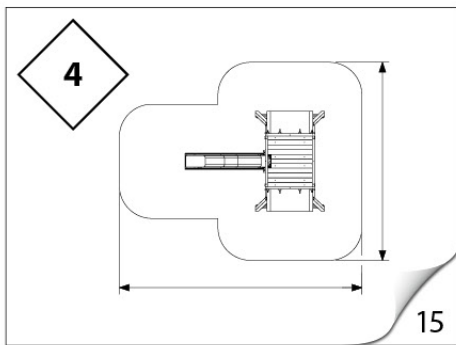
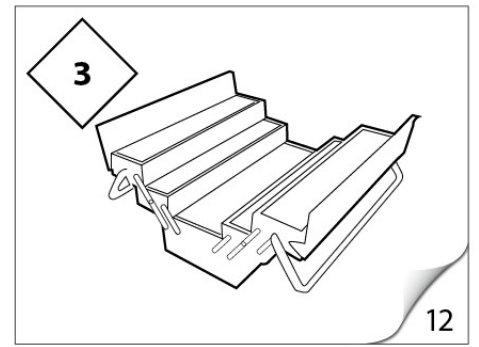
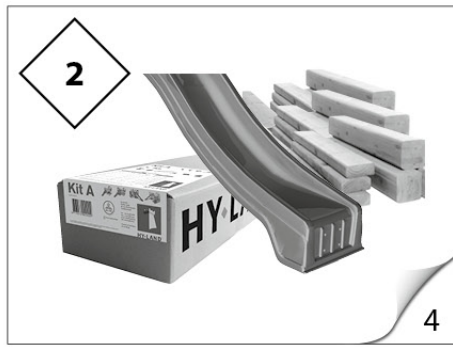
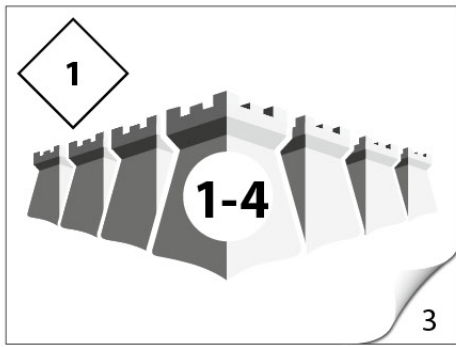
# Assembly

## Q Series



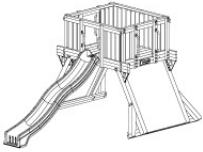
Owner's Manual

# Assembly steps



# 1

## Q1



1x

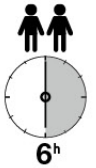


1x



1x

+



1x



1x



± 0,42 m<sup>3</sup>

## Q2



1x



1x



1x



1x

+



1x

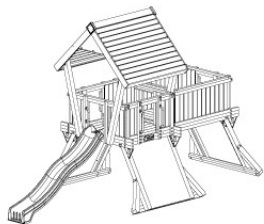


1x



± 0,66 m<sup>3</sup>

## Q3



1x



2x



2x



1x

+



1x

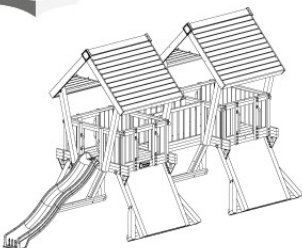


1x



± 1.03 m<sup>3</sup>

## Q4



1x



2x

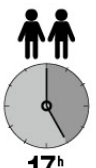


2x



1x

+



2x



2x



1x



± 1,42 m<sup>3</sup>

**2.1a**

# Content Q-Start

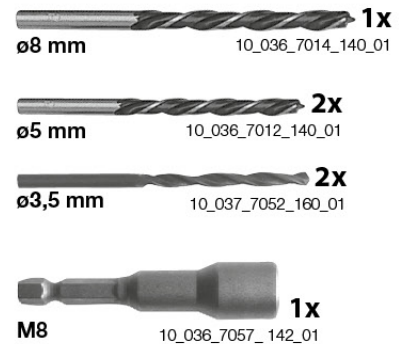
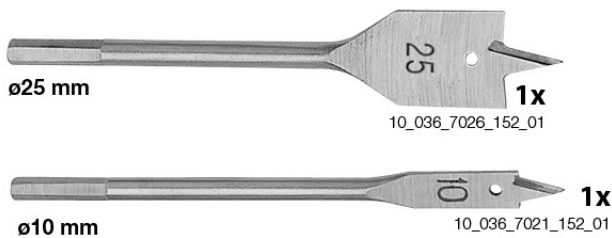
14\_303\_101\_15



<p><b>1x</b> 10_209_2071_103_24</p>		<p><b>1x</b> 10_467_3040_202_26</p>	
<p><b>1x</b> 10_030_5042_116_04</p>	<p><b>1x</b> 10_209_2031_105_06</p>	<p><b>2x</b> 11_003_3030_101_06</p>	<p><b>1x</b> 11_001_1030_105_25</p>
<p><b>1x</b> 10_030_5042_216_04</p>	<p><b>1x</b> 10_209_2031_105_06</p>	<p><b>2x</b> 11_003_3030_101_06</p>	<p><b>1x</b> 11_002_1010_203_25</p>
<p><b>1x</b> 10_032_5013_425_01</p>	<p><b>6x</b> 10_032_5012_425_01</p>	<p><b>6x</b> 10_032_5013_225_01</p>	<p><b>1x</b> 10_026_5041_215_01</p>
<p><b>2x</b> 10_030_5071_110_01</p>	<p><b>6x</b> 10_032_5012_425_01</p>	<p><b>6x</b> 10_032_5013_225_01</p>	<p><b>10x</b> 10_205_2030_000_04</p>
<p><b>2x</b> 10_030_5071_110_01</p>		<p><b>6x</b> 10_032_5012_425_01</p>	<p><b>3x</b> 10_207_1010_101_04</p>
<p><b>1x</b> 11_002_1010_404_25</p>			

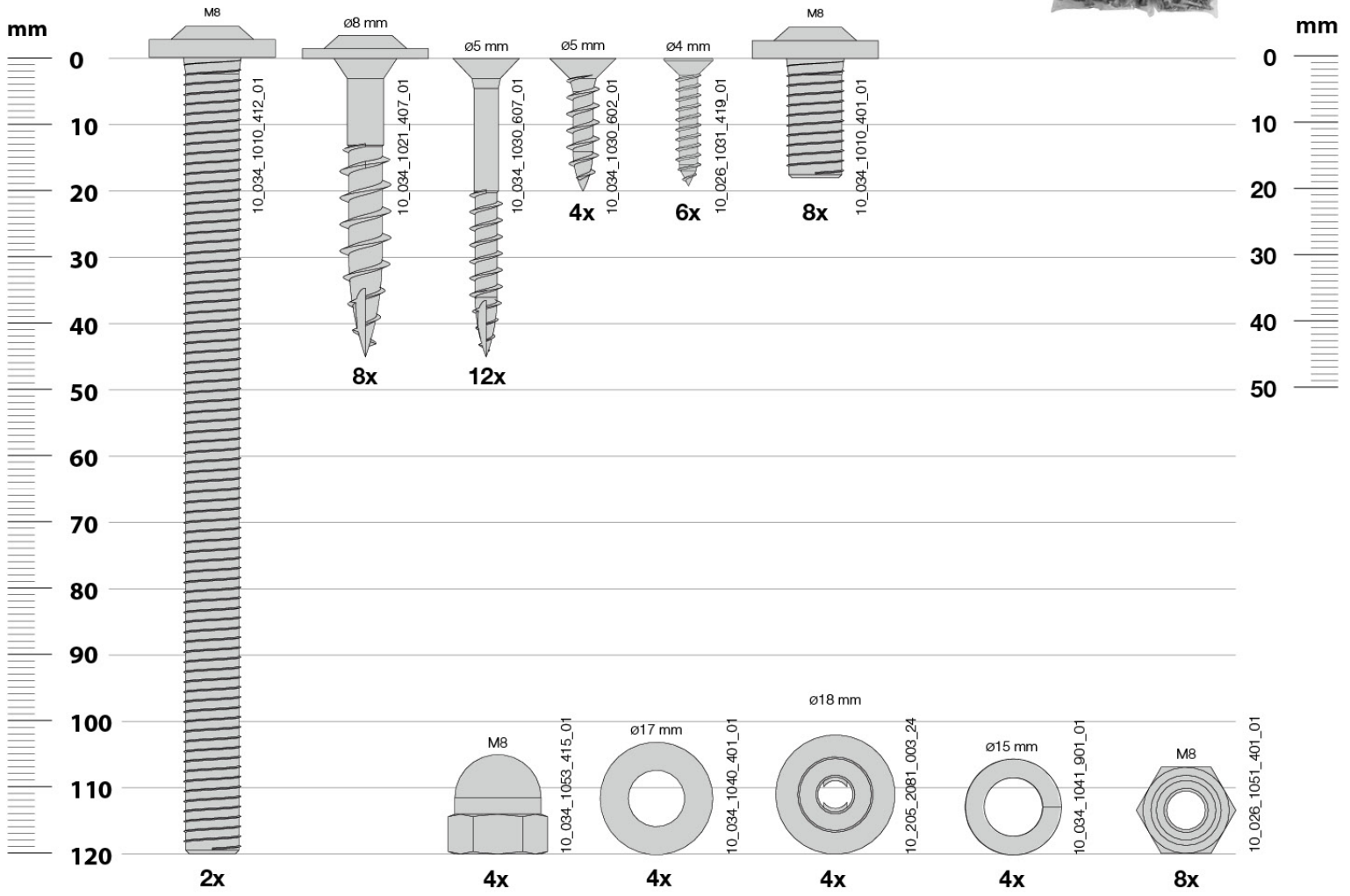
## Tools

11\_002\_1010\_203\_25



# Hardware


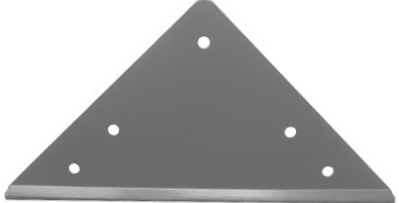


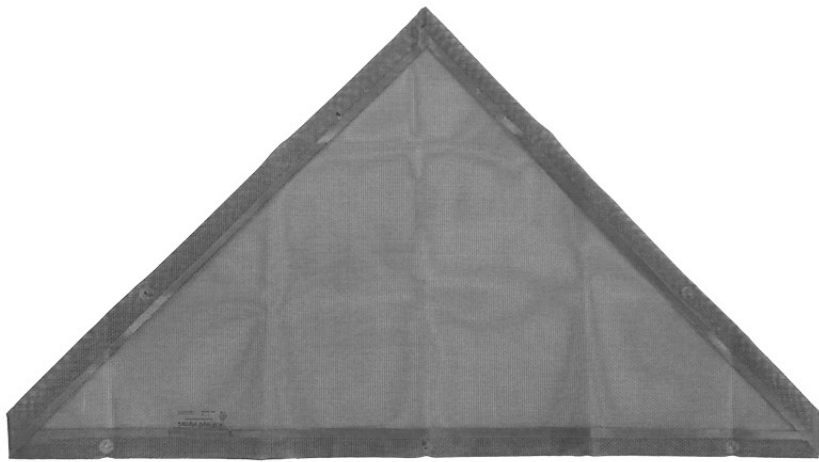



11\_001\_1030\_105\_25



# 2.1b

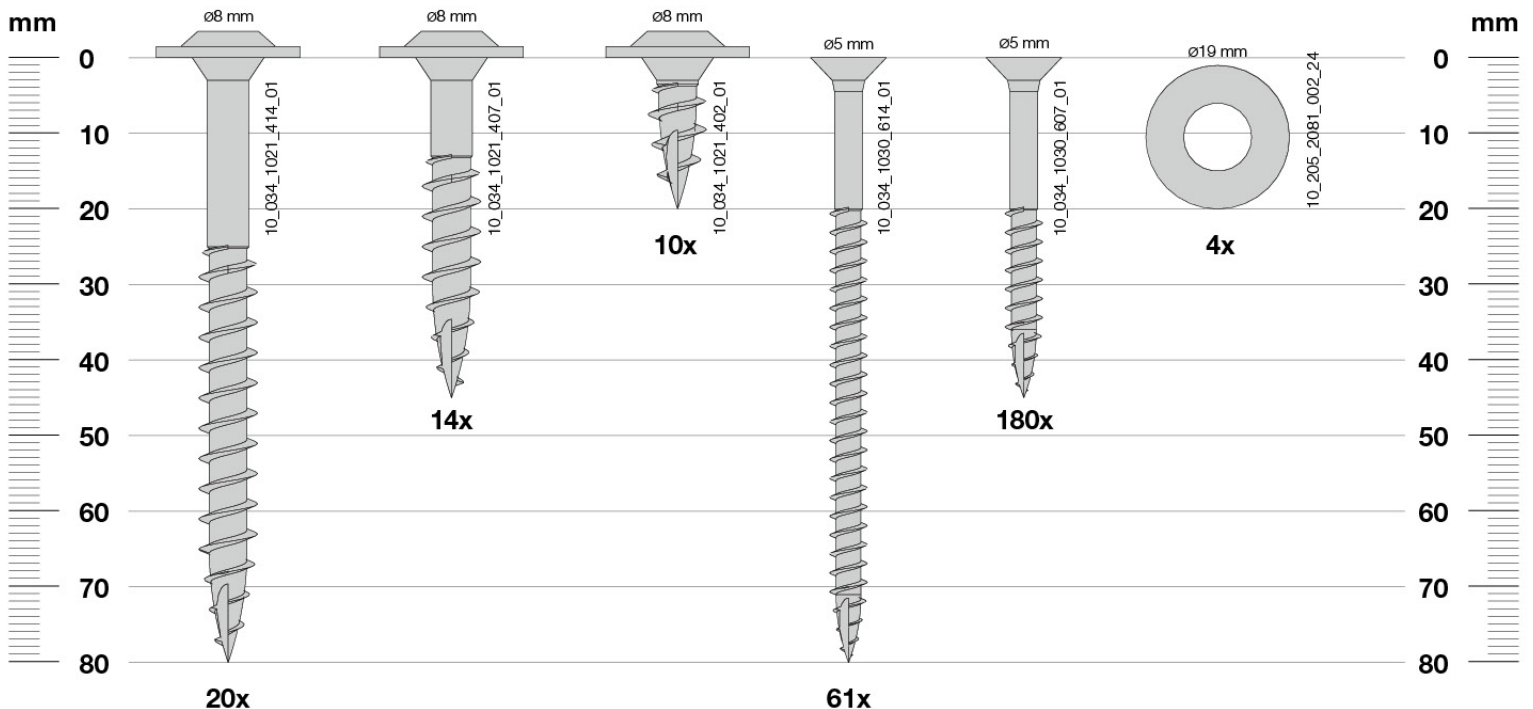
# Content Q-Roof

14\_001\_101\_30

 <p><b>1x</b> 10_467_3010_404_26</p>		 <p><b>2x</b> 10_030_5011_001_04</p>
 <p><b>2x</b> 10_201_2075_405_04</p>	 <p><b>20x</b> 10_205_2030_000_04</p>	 <p><b>2x</b> 11_203_1051_101_04</p>
 <p><b>1x</b> 11_207_1010_301_04</p>		
 <p><b>4x</b> 10_030_5010_000_04</p>	 <p><b>1x</b> 11_001_1010_420_25</p>	

## Hardware

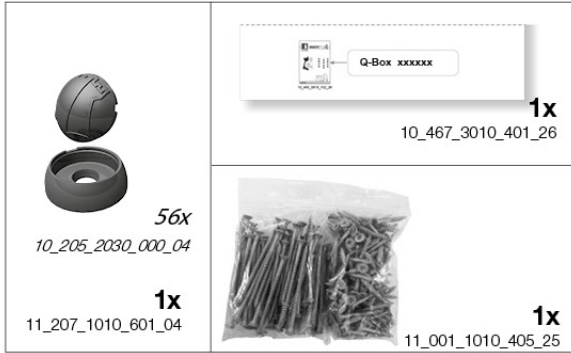
11\_001\_1010\_420\_25



2.1c

# Content Q-Box

14\_001\_101\_15



2.1d

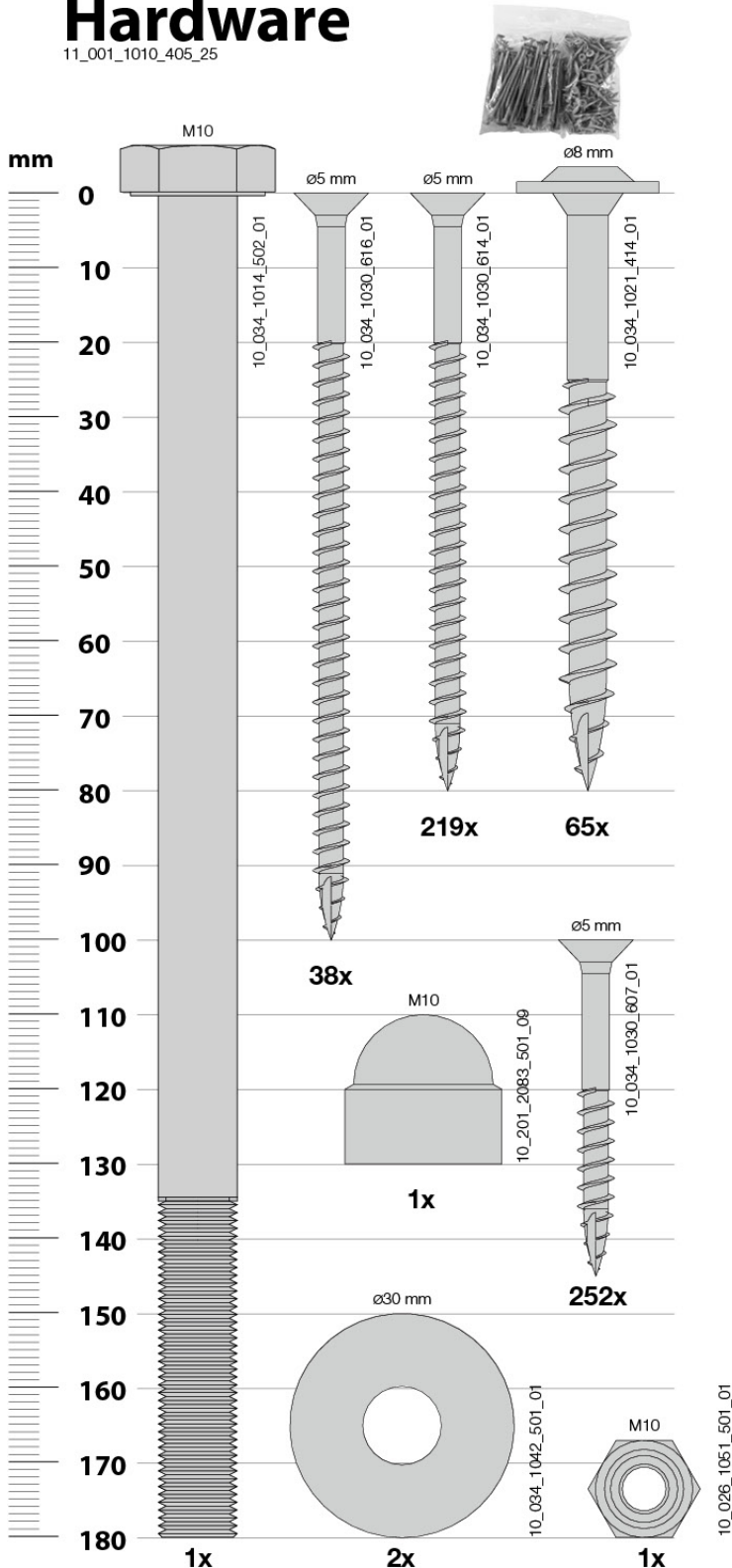
# Content Q-Bridge

14\_001\_101\_35



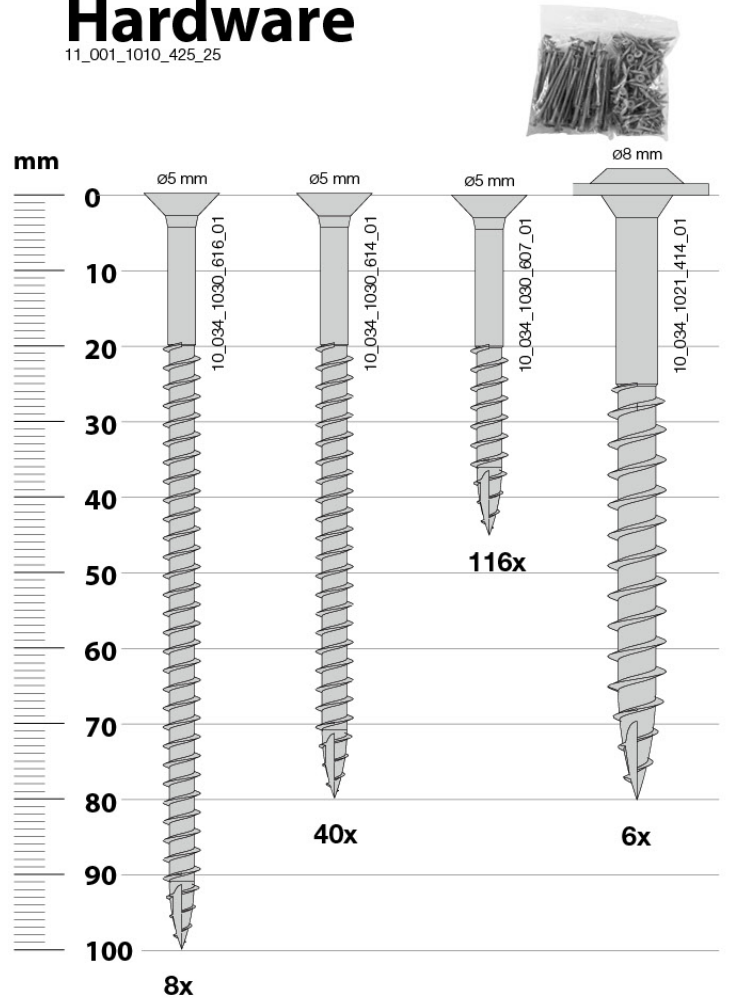
## Hardware

11\_001\_1010\_405\_25



## Hardware

11\_001\_1010\_425\_25



# 2.1e

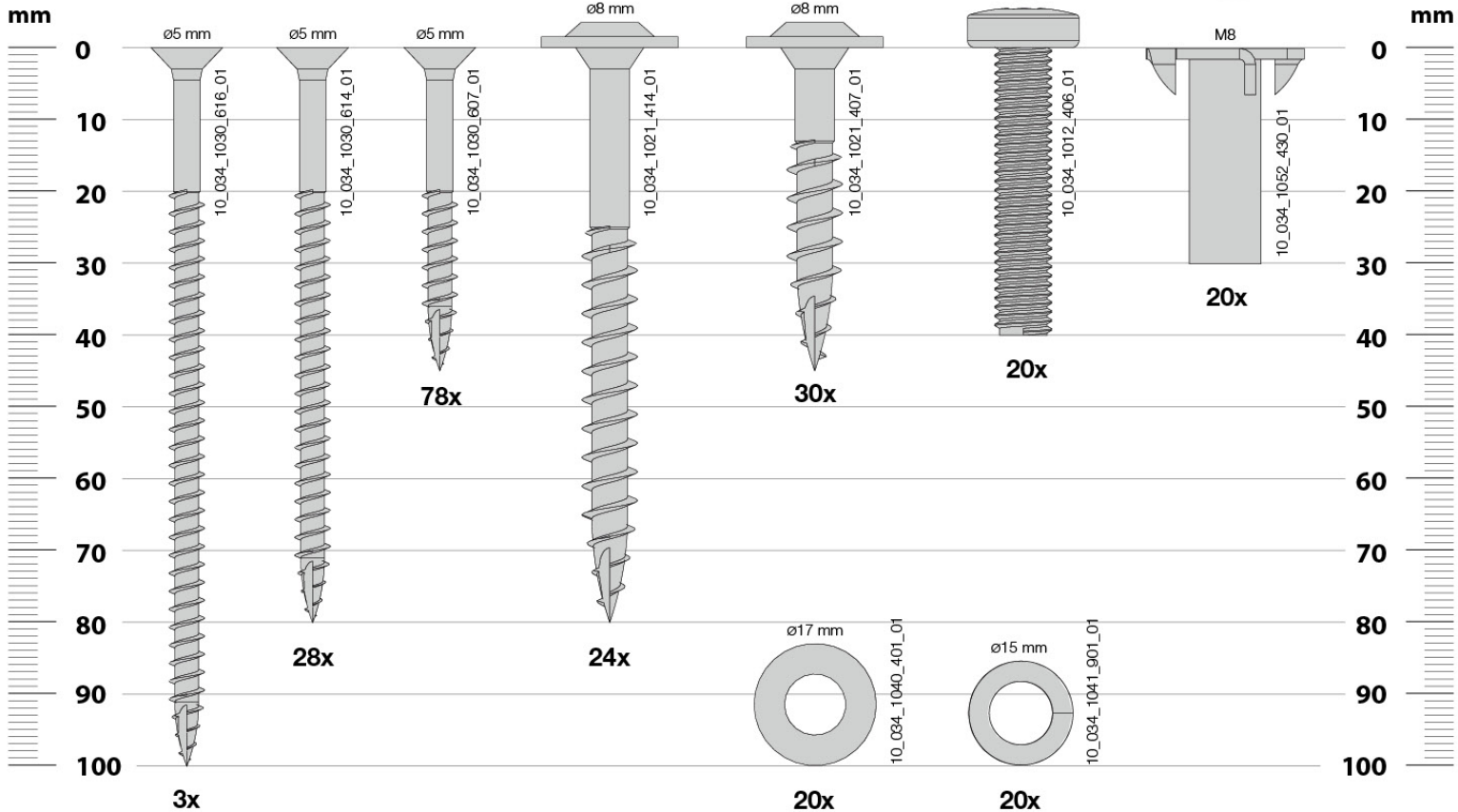
# Content Q-Rock

14\_001\_101\_20

 <p><b>1x</b> 10_467_3010_402_26</p>		 <p><b>2x</b> 11_003_3030_202_06</p>		
 <p><b>1x</b> 10_030_5051_125_04</p>	 <p><b>1x</b> 10_030_5051_225_04</p>	 <p><b>1x</b> 10_030_5051_230_04</p>	 <p><b>1x</b> 10_030_5051_130_04</p>	 <p><b>1x</b> 11_001_1010_410_25</p>
 <p><b>3x</b> 10_217_2050_300_04</p>	 <p><b>3x</b> 10_217_2050_200_04</p>	 <p><b>4x</b> 10_217_2050_100_04</p>	 <p><b>36x</b> 10_205_2030_000_04</p>	 <p><b>1x</b> 11_207_1010_401_04</p>

# Hardware

11\_001\_1010\_410\_25



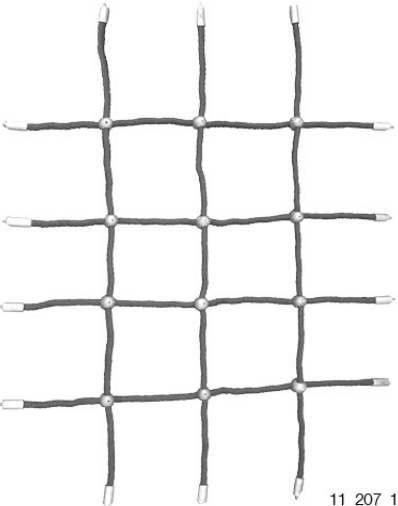






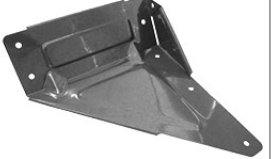






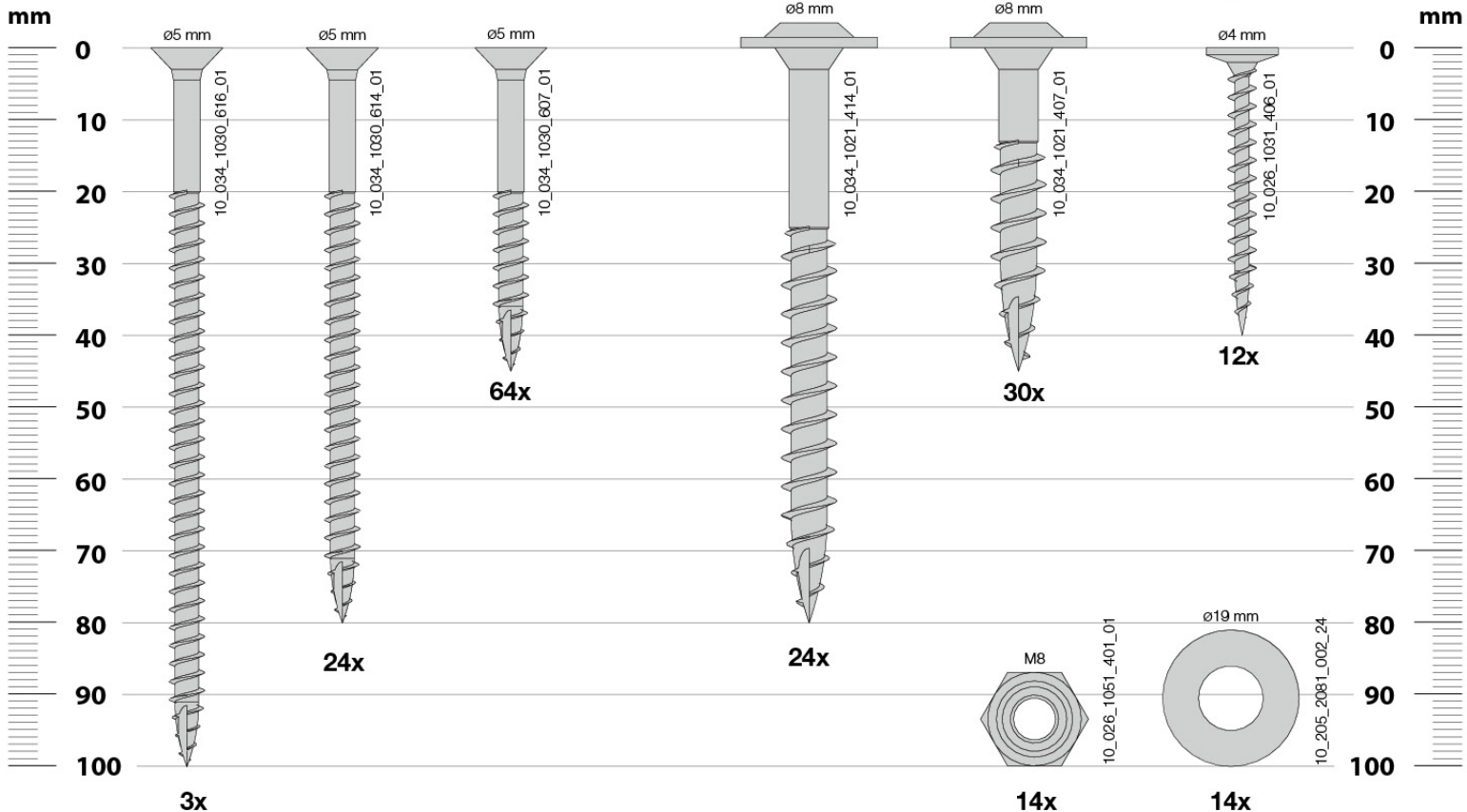
# Content Q-Net

14\_001\_101\_25

 <p><b>1x</b> 10_467_3010_403_26</p>		 <p><b>14x</b> 10_030_5051_235_04</p>		 <p><b>1x</b> 11_207_1090_201_25</p>	
 <p><b>2x</b> 11_003_3030_202_06</p>		 <p><b>1x</b> 11_001_1010_415_25</p>			
 <p><b>1x</b> 10_030_5051_125_04</p>	 <p><b>1x</b> 10_030_5051_225_04</p>	 <p><b>36x</b> 10_205_2030_000_04</p>		 <p><b>1x</b> 10_030_5051_230_04</p>	 <p><b>1x</b> 10_030_5051_130_04</p>

## Hardware

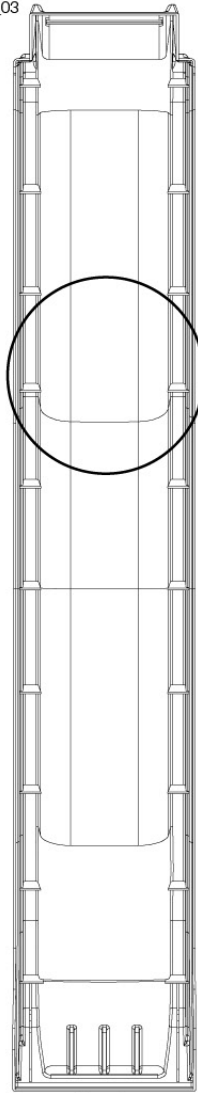
11\_001\_1010\_415\_25



2.2a

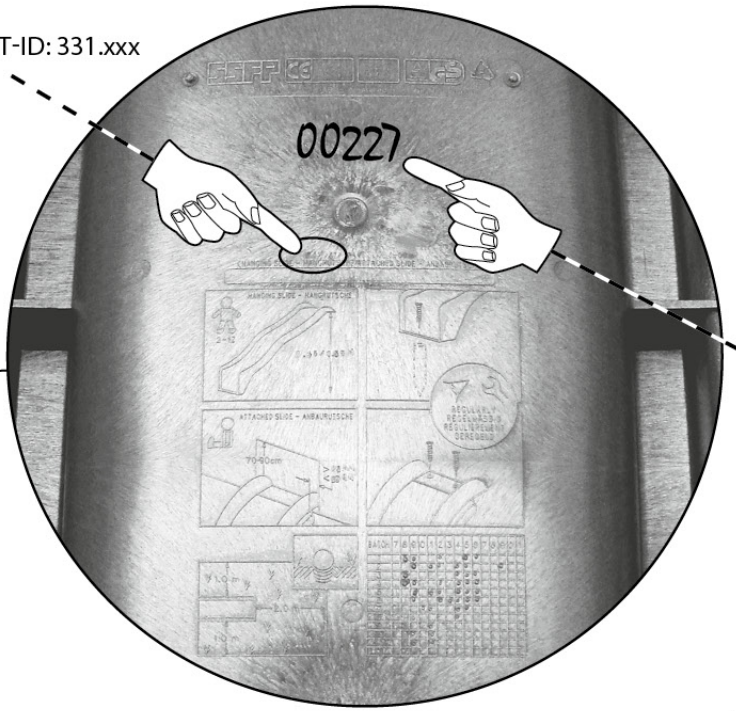
# Hy-Slide Polyethylene

14\_306\_301\_03

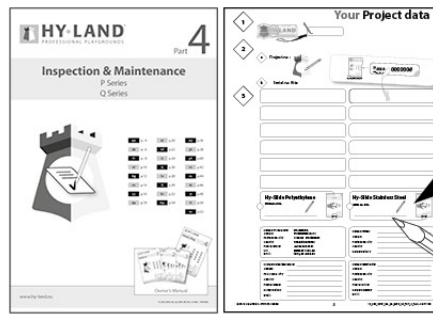


Back

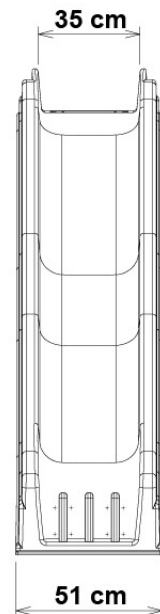
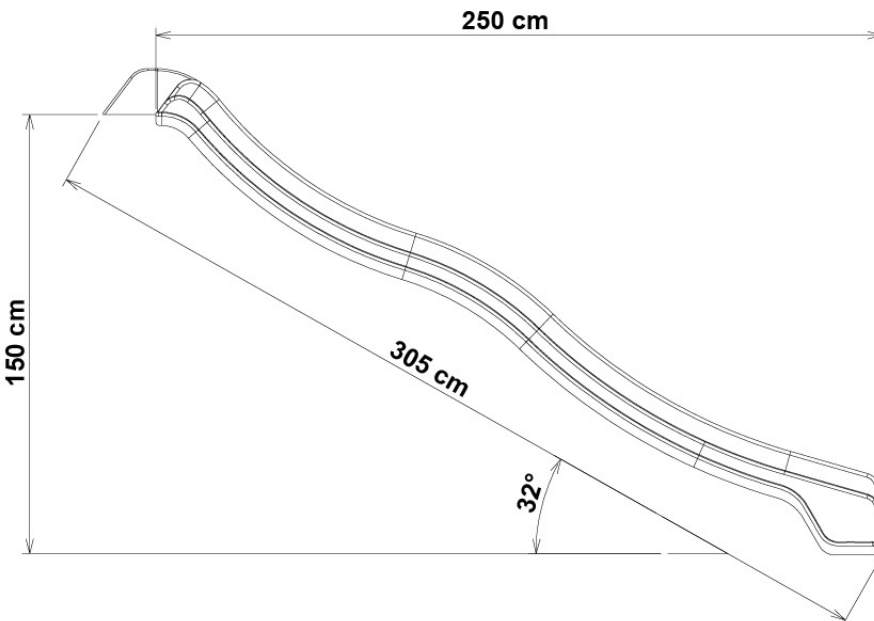
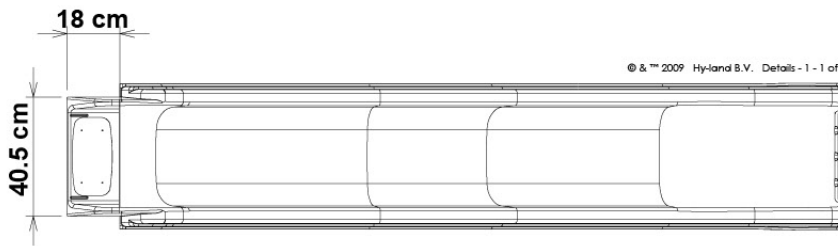
PART-ID: 331.xxx



SERIAL NO.



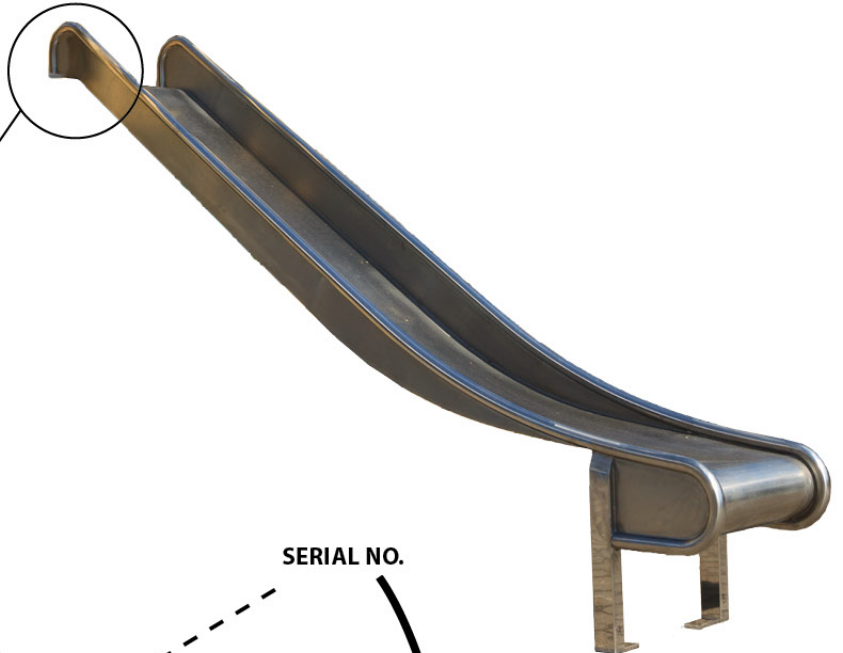
10\_460\_0819\_106\_26



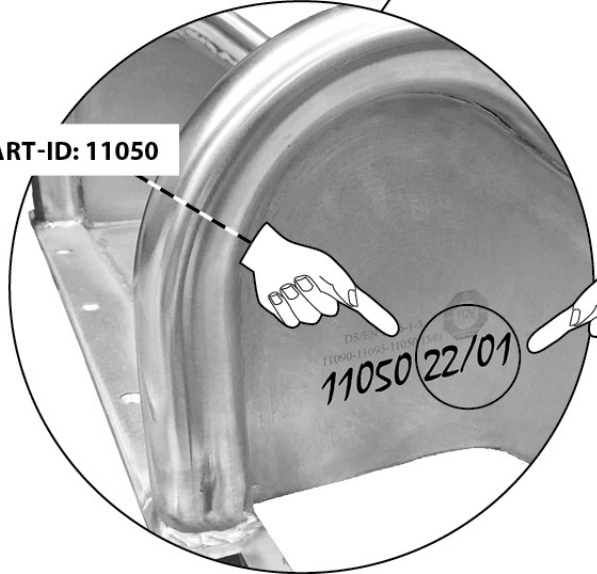
2.2b

# Hy-Slide Stainless Steel

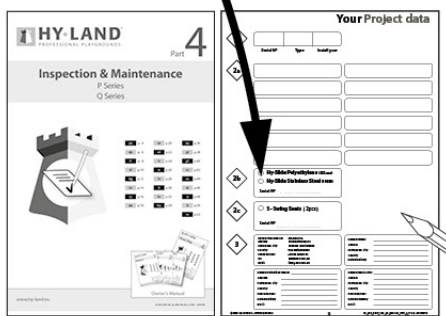
14\_306\_301\_50



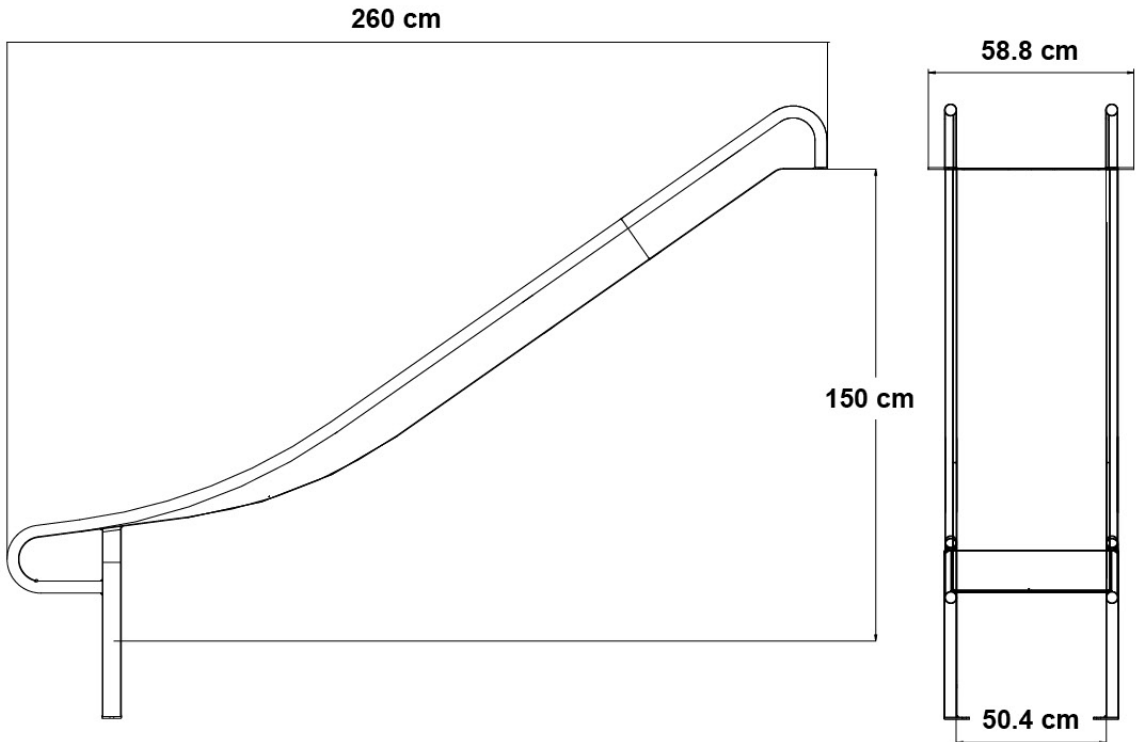
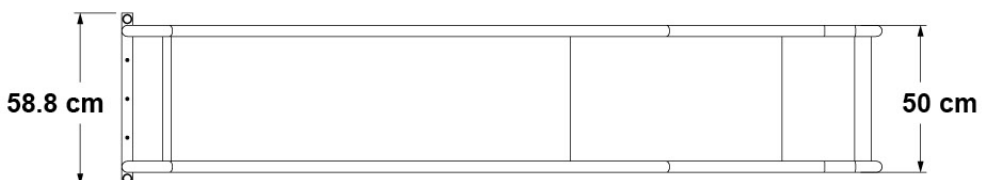
PART-ID: 11050



SERIAL NO.

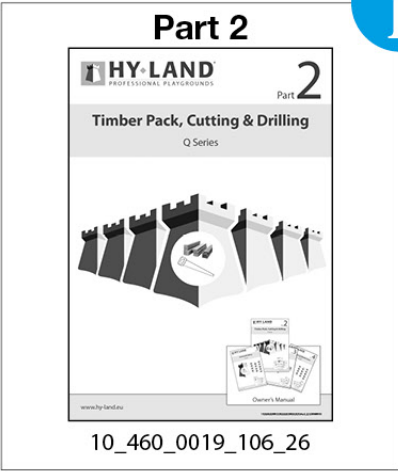
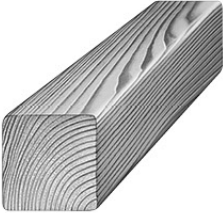


10\_460\_0819\_106\_26



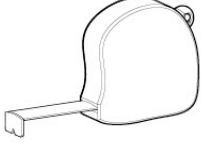
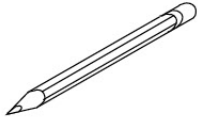
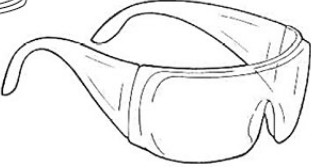
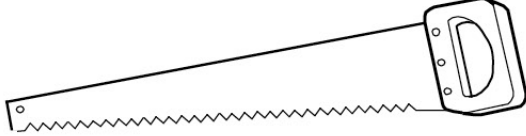
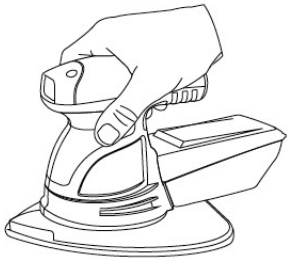
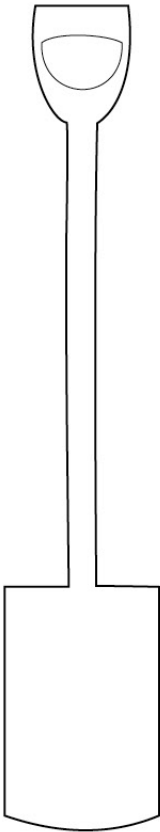
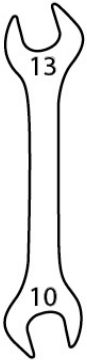
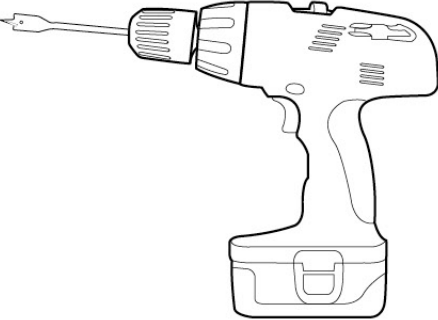
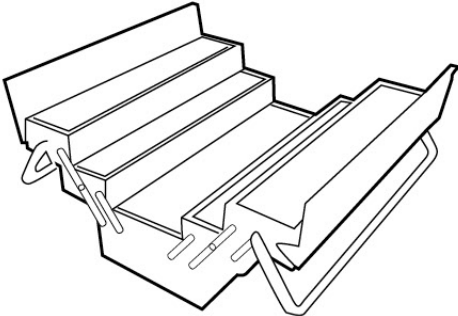
2.3

# Timber



3.1

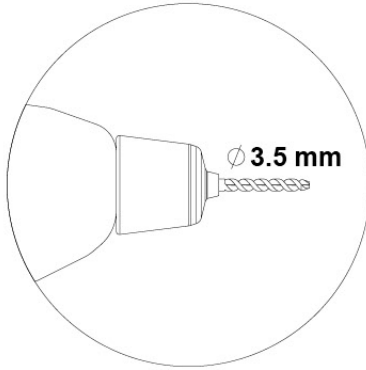
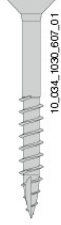
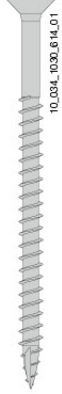
# Tools



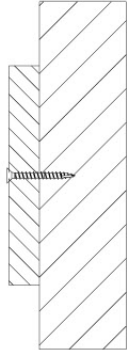
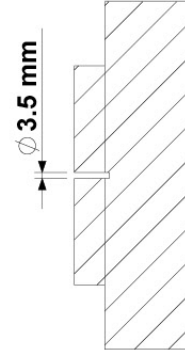
3.2

80 mm

45 mm



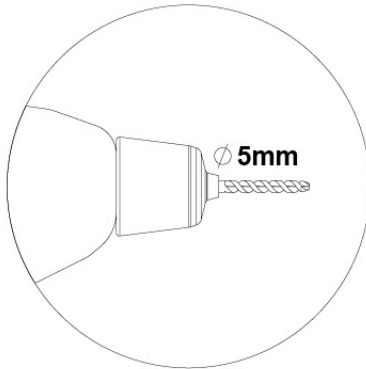
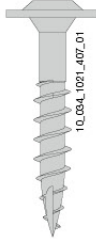
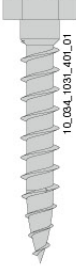
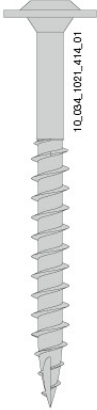
3.5 mm



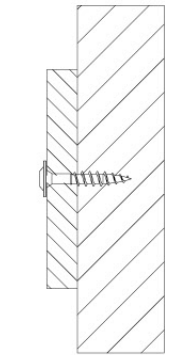
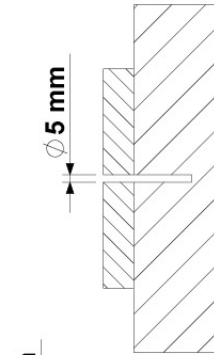
80 mm

50 mm

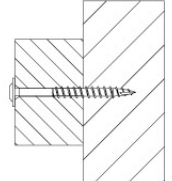
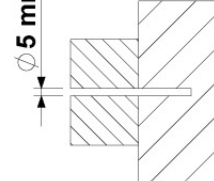
45 mm



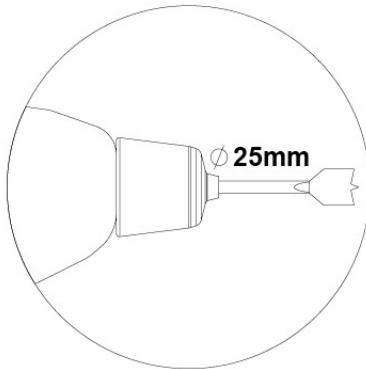
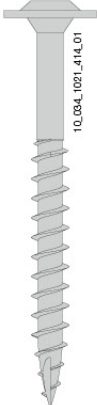
5 mm



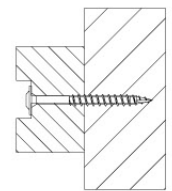
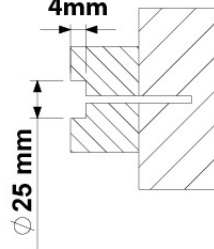
5 mm



80 mm



4 mm



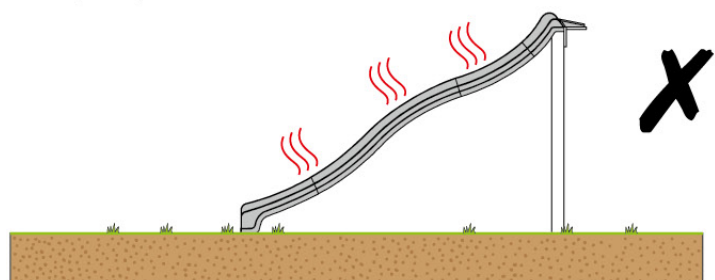
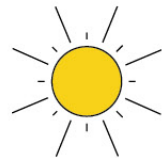
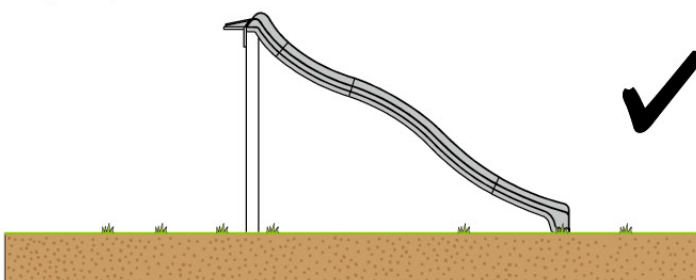
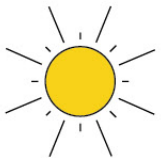
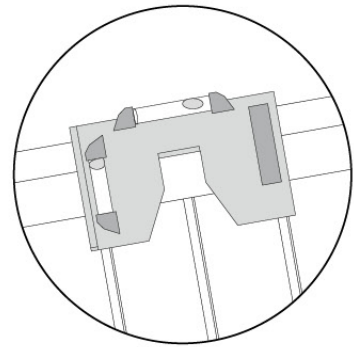
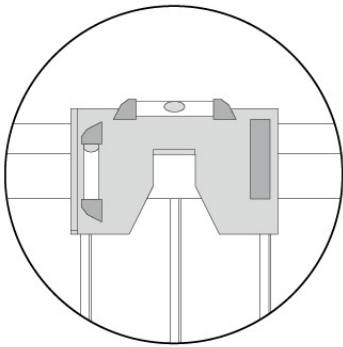
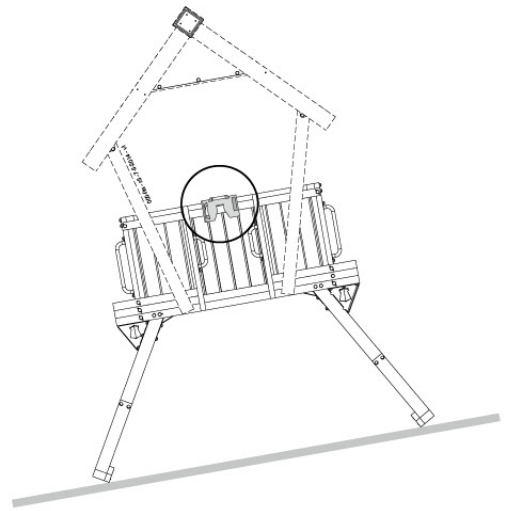
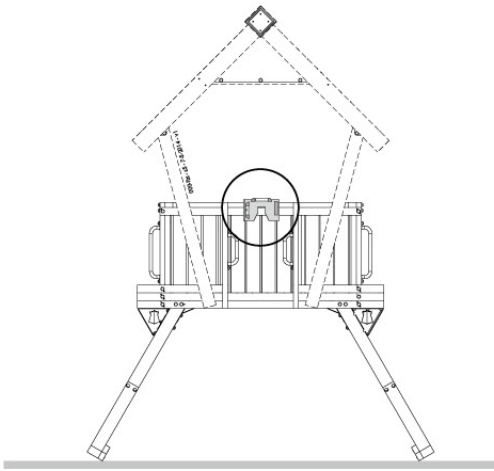
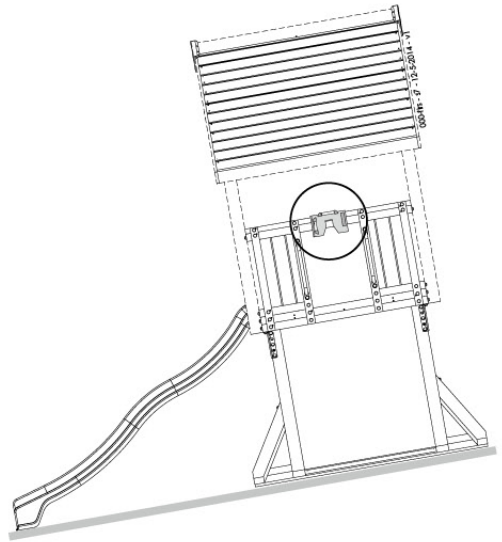
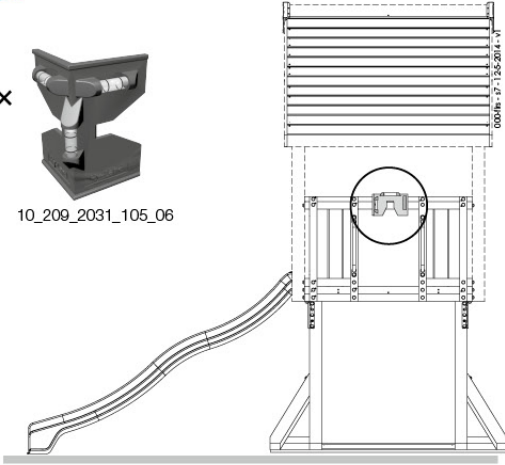
25 mm



1x

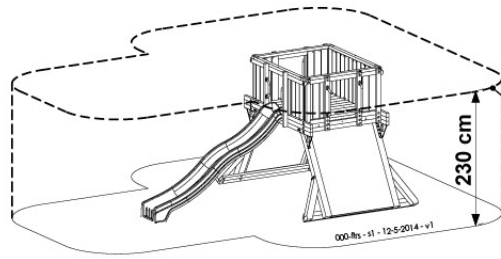


10\_209\_2031\_105\_06



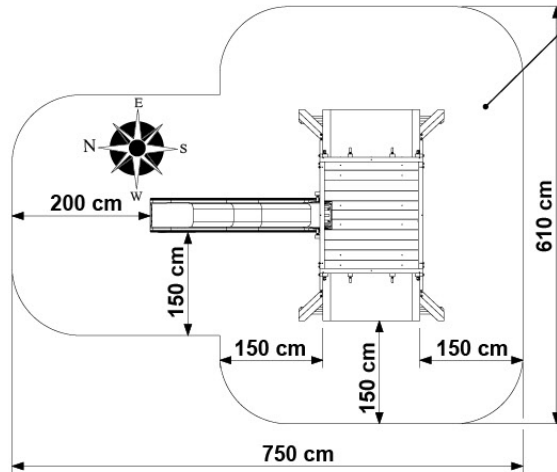
4

Q1

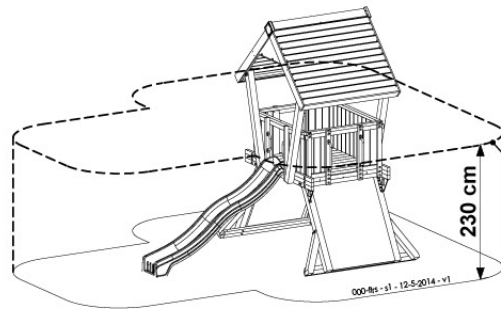


**Part 1**

4

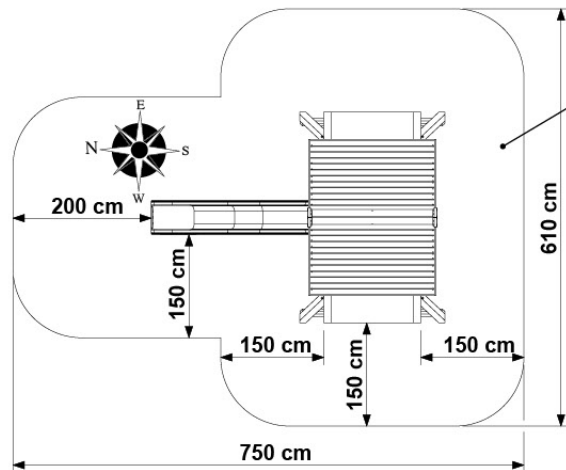


Q2



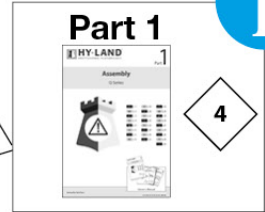
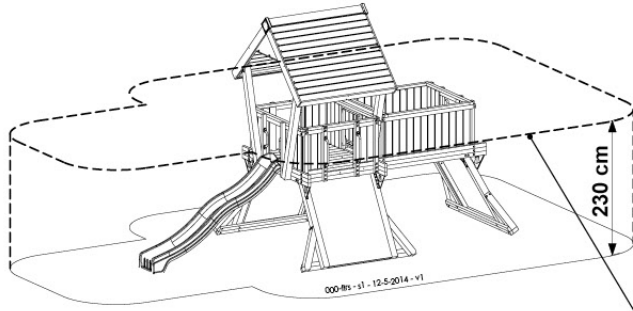
**Part 1**

4

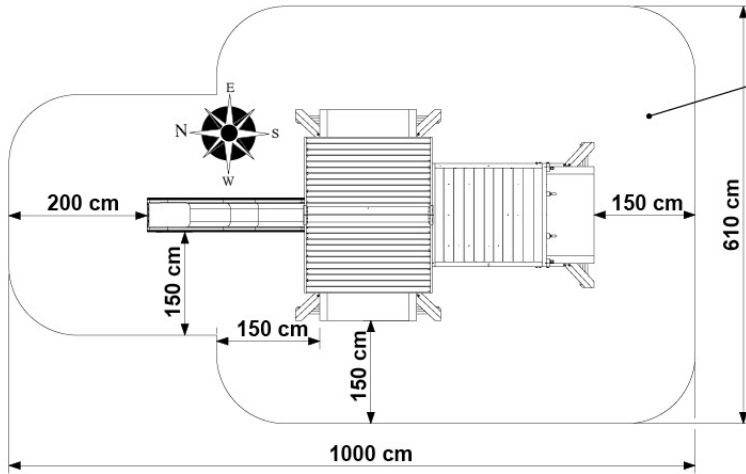


4

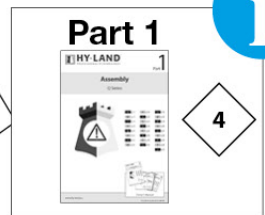
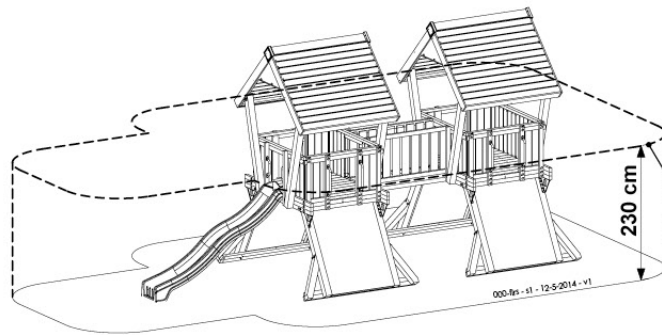
Q3



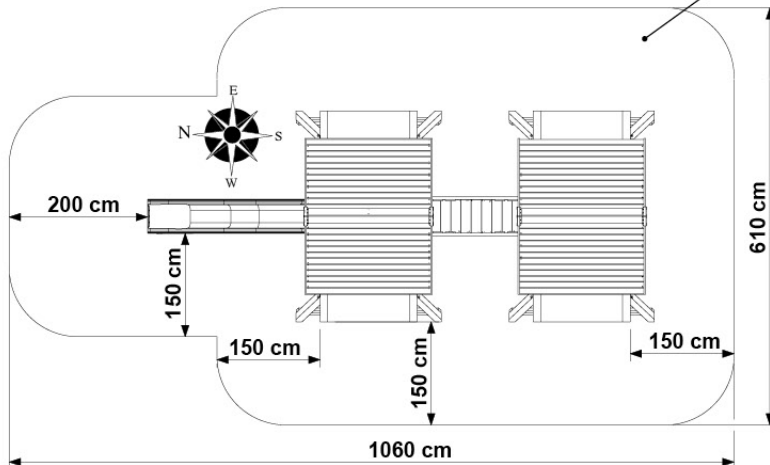
i



Q4

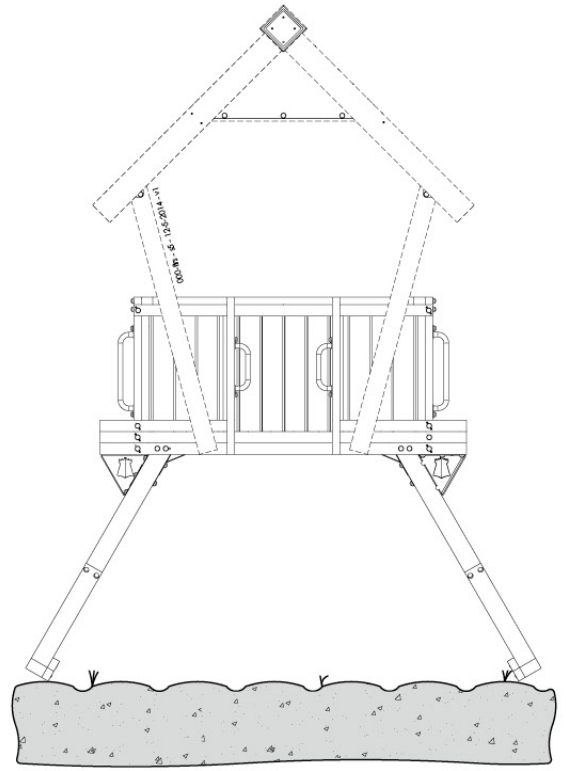
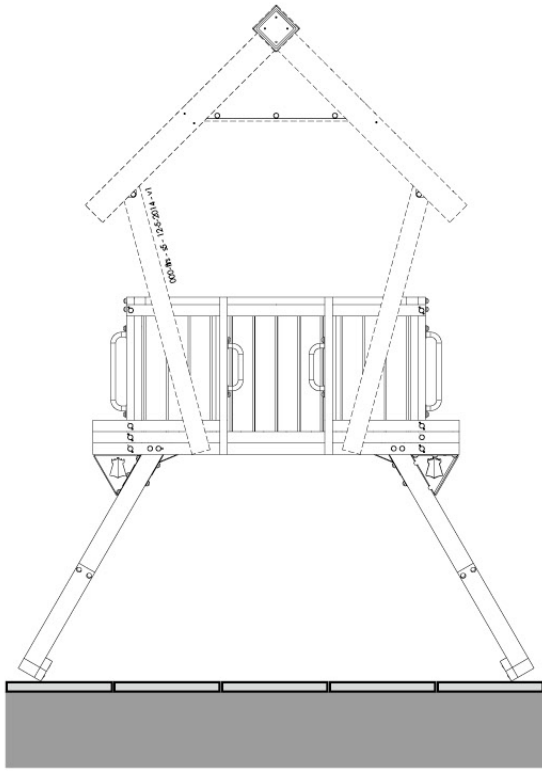


i





4.1



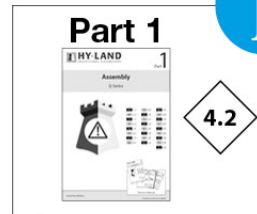
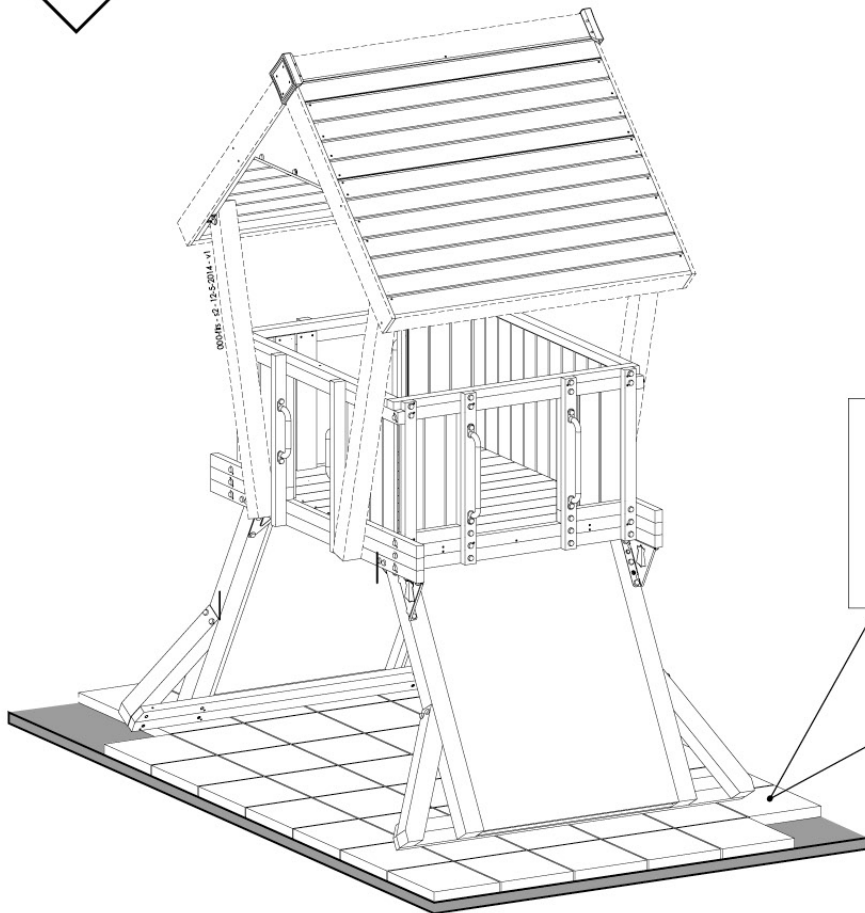
4.2



4.2



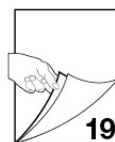
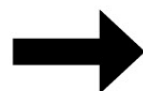
4.3



4.2

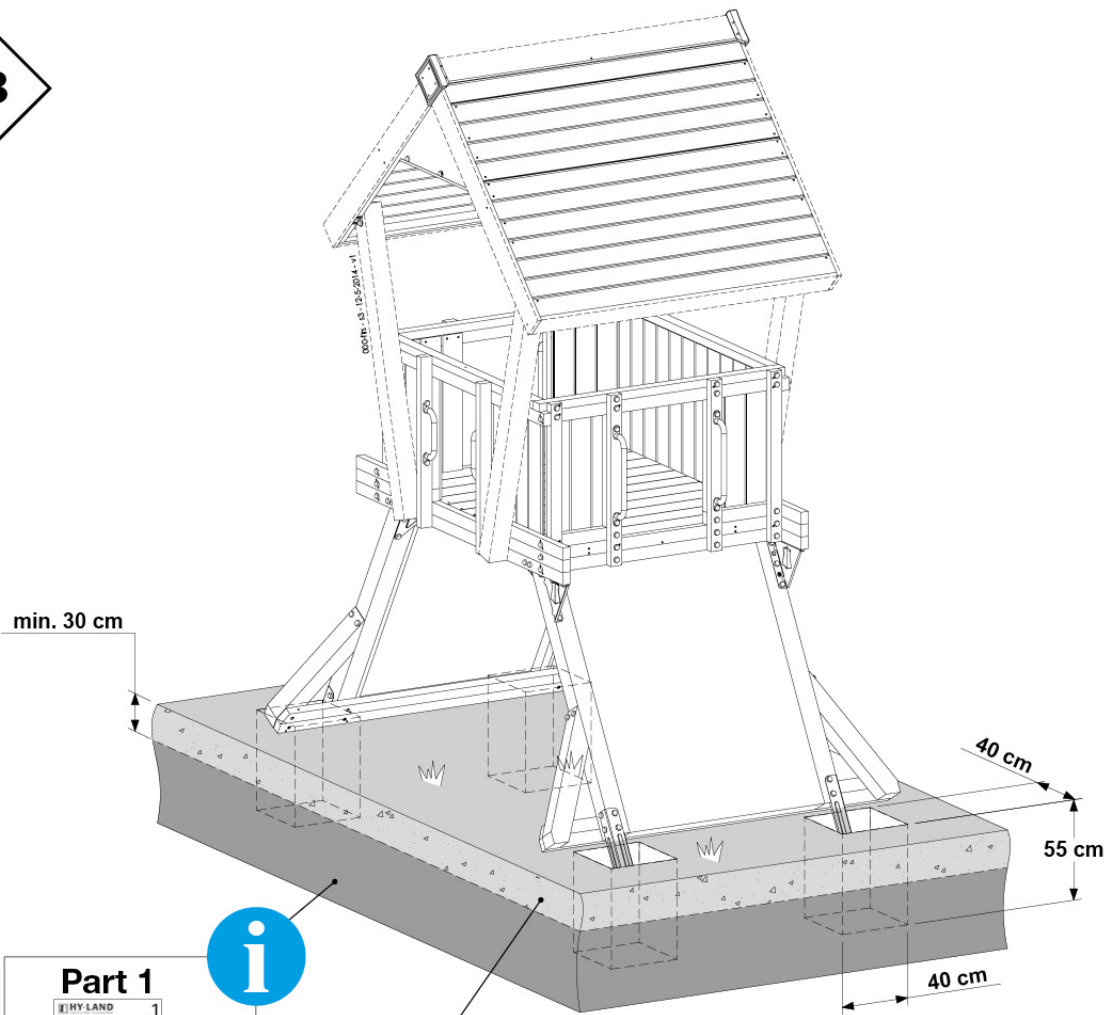


EN 1176:2017



5

4.3



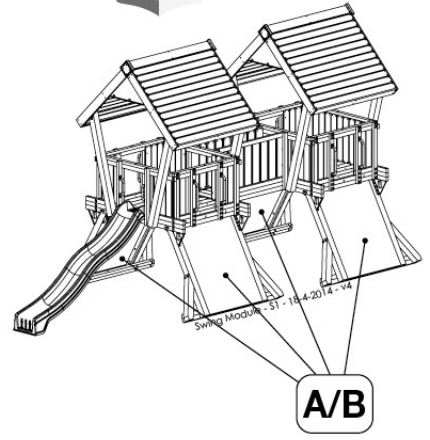
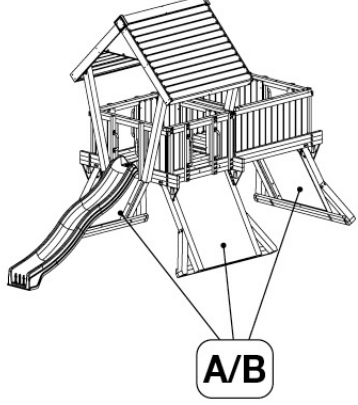
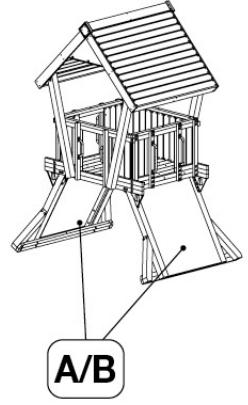
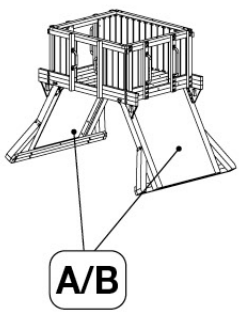
**Part 1**

**i**

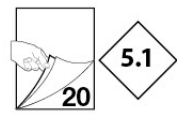
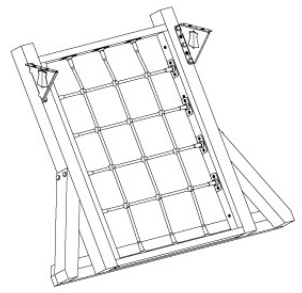
4.3

EN 1176:2017

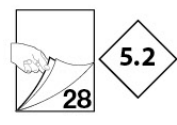
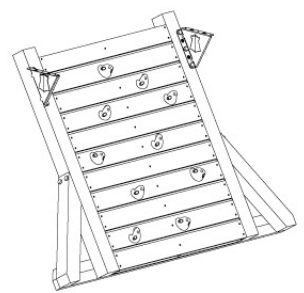
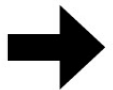
5



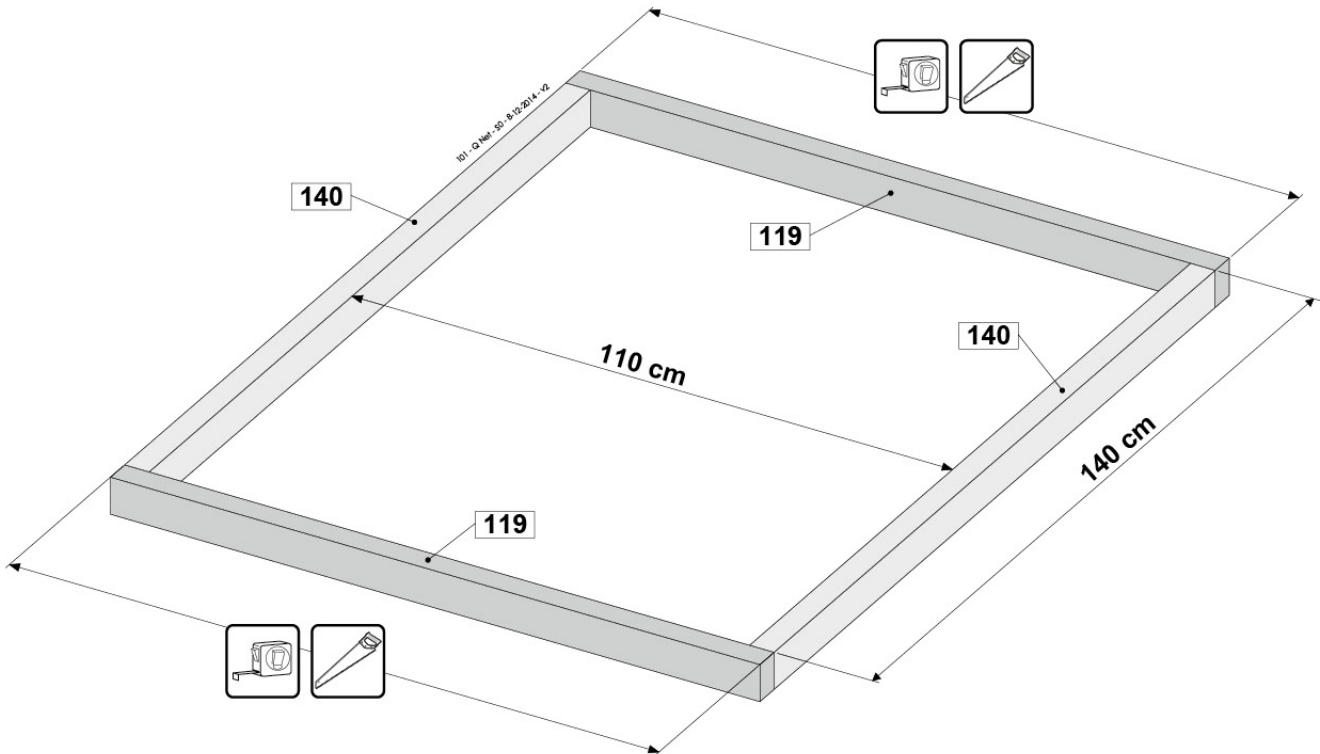
A



B

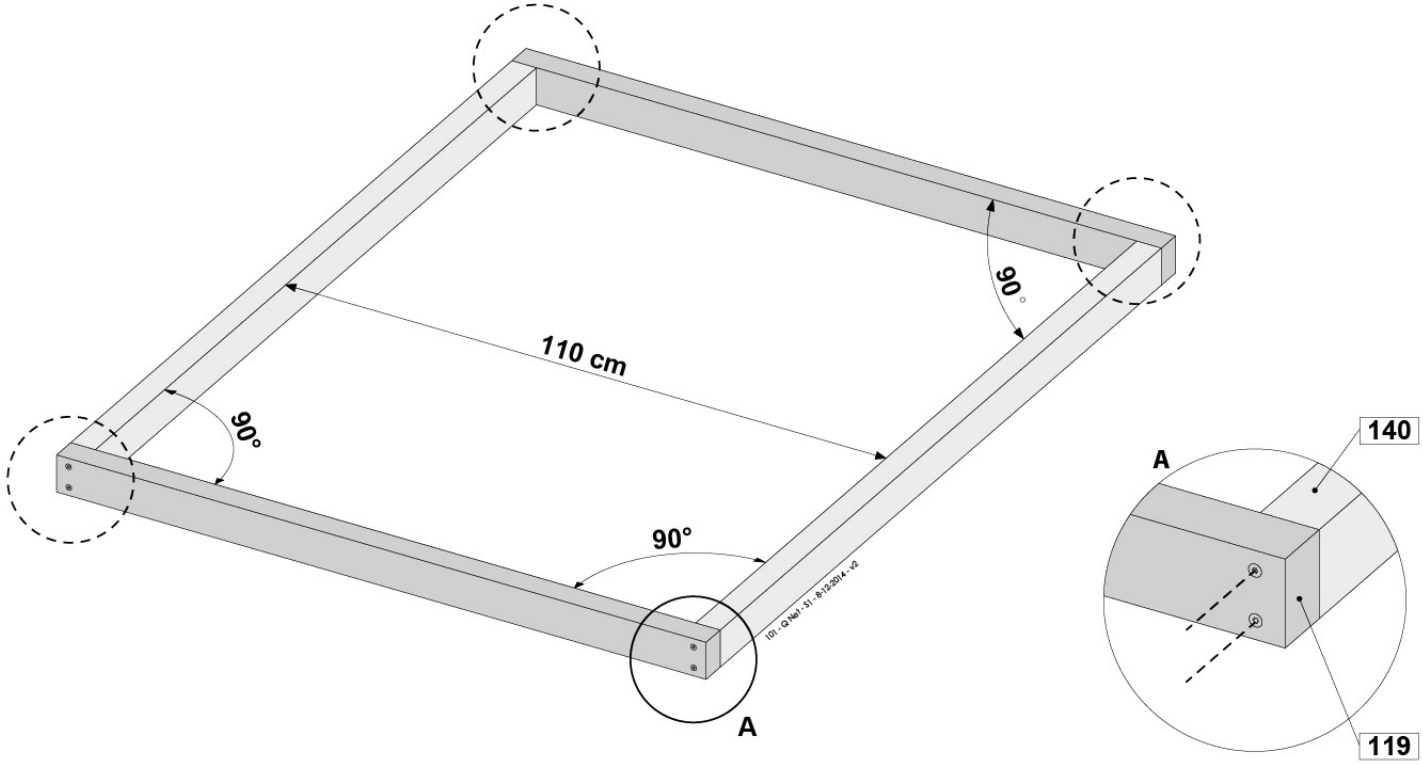


5.1a

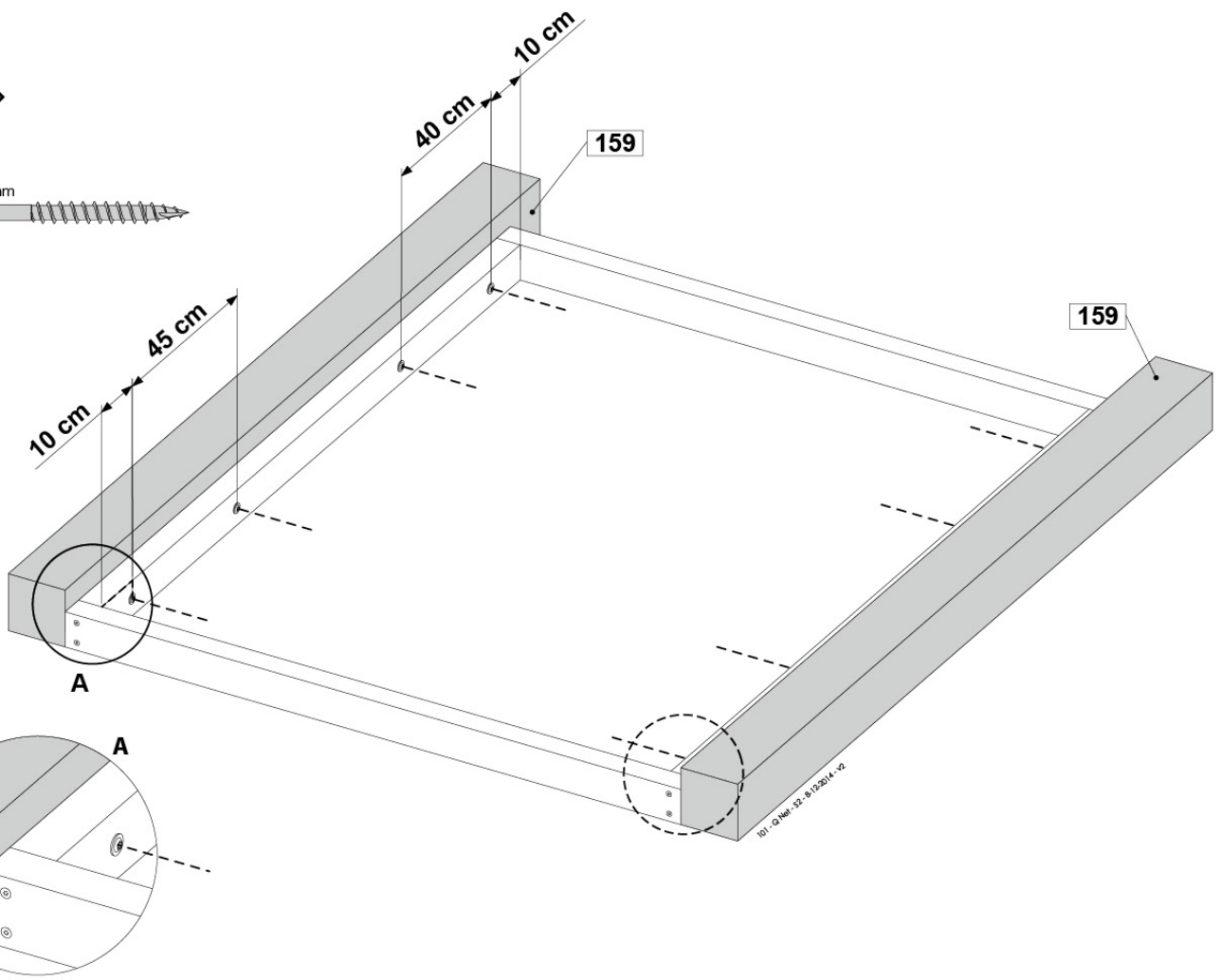
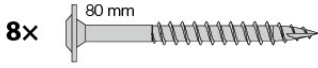


5.1b

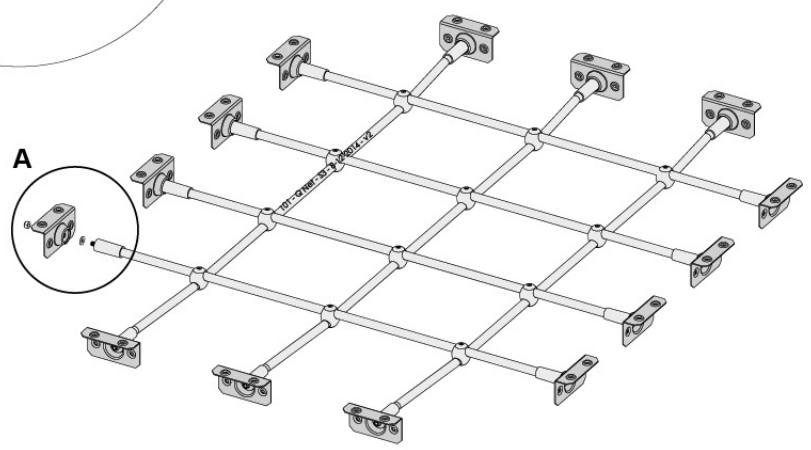
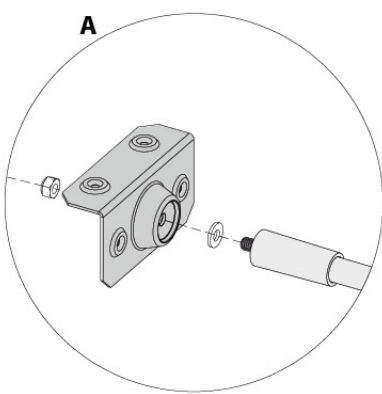
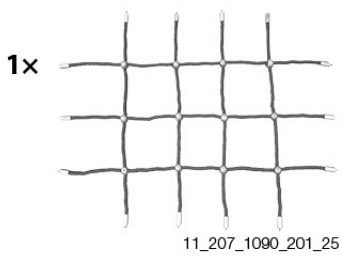
8x 80 mm




# 5.1c

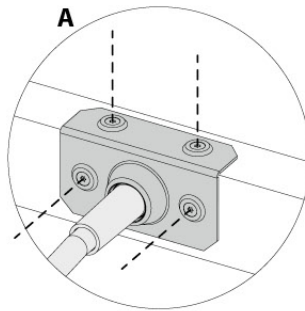
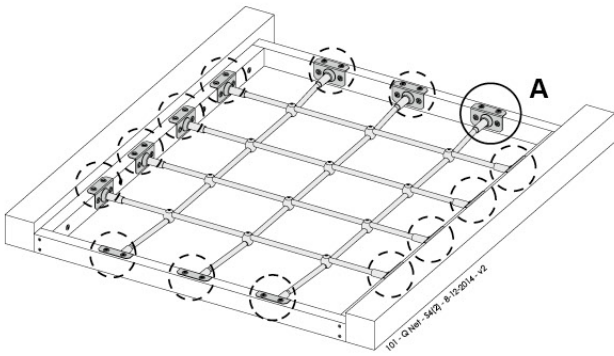
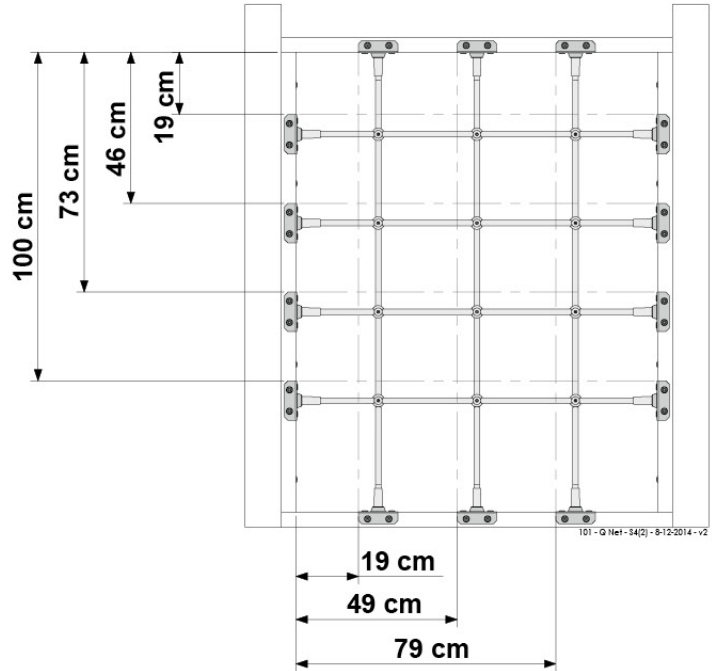
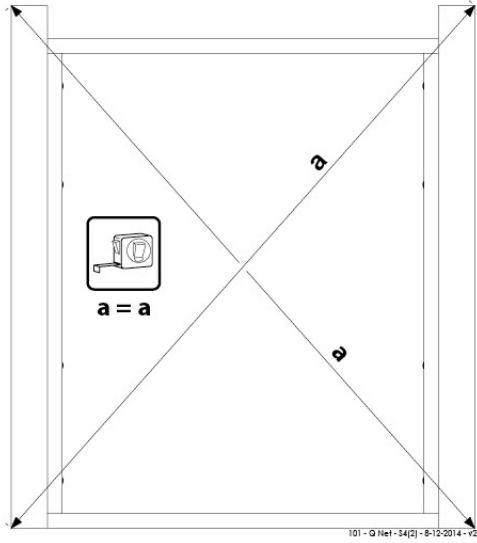


# 5.1d

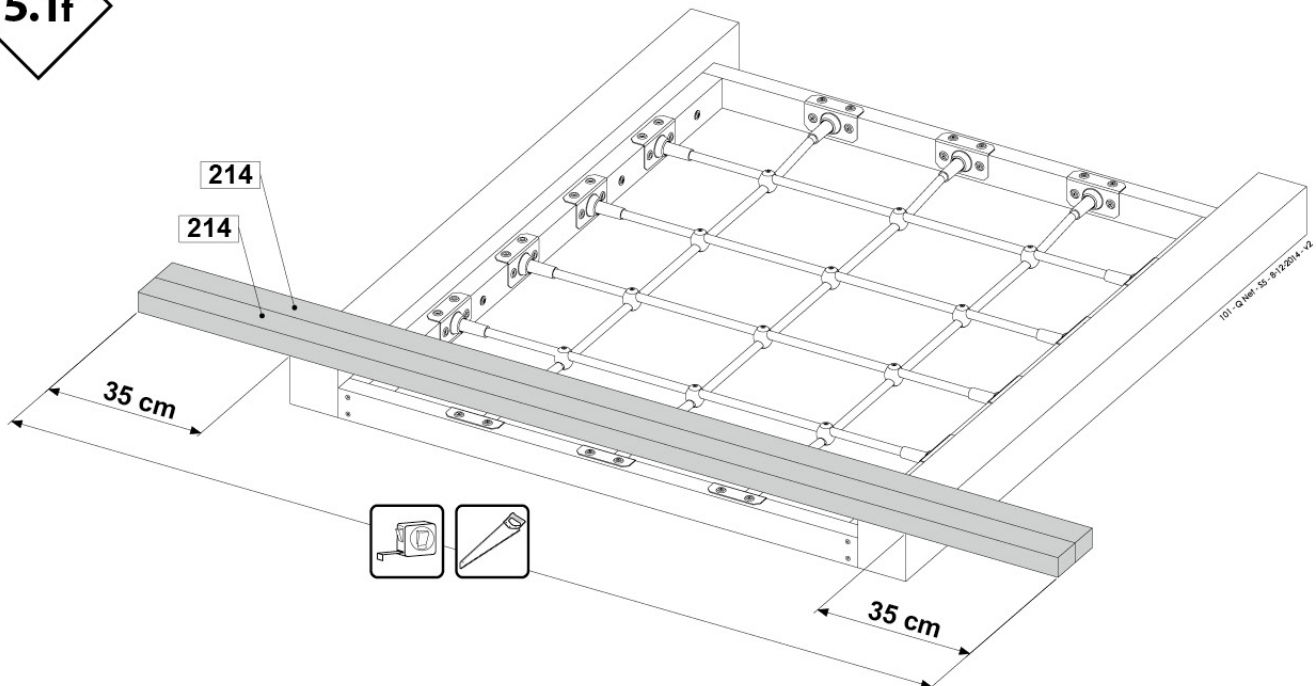


# 5.1e

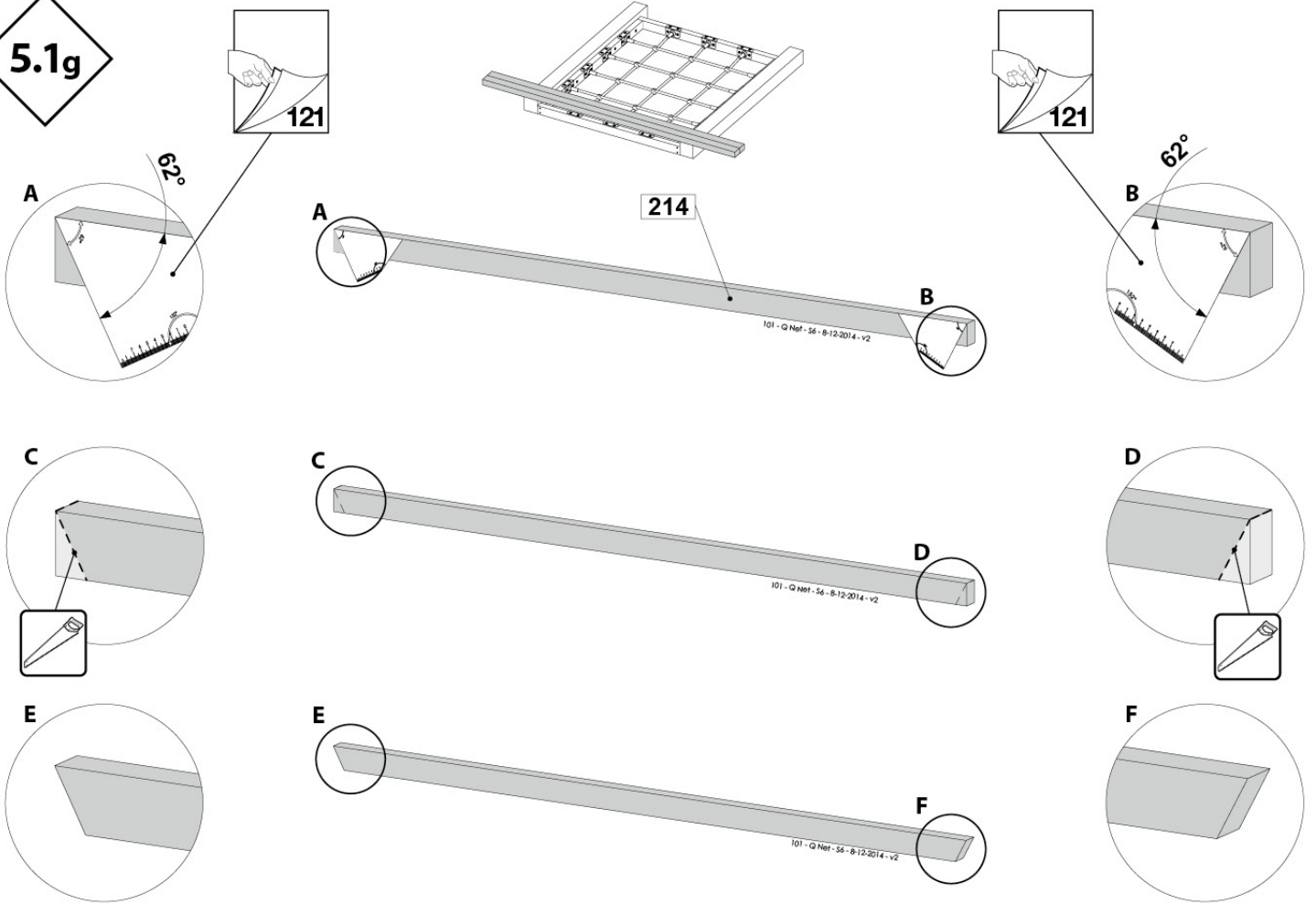
56x 45 mm 



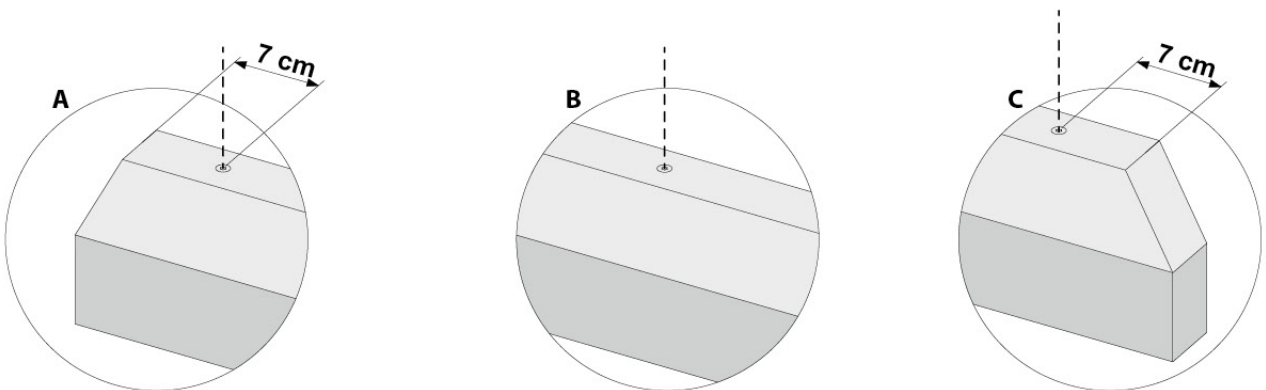
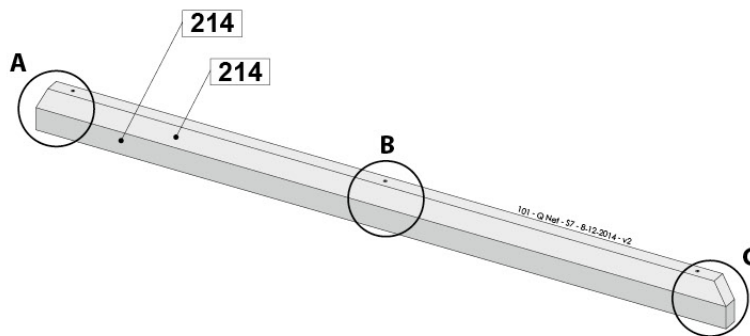
# 5.1f



# 5.1g

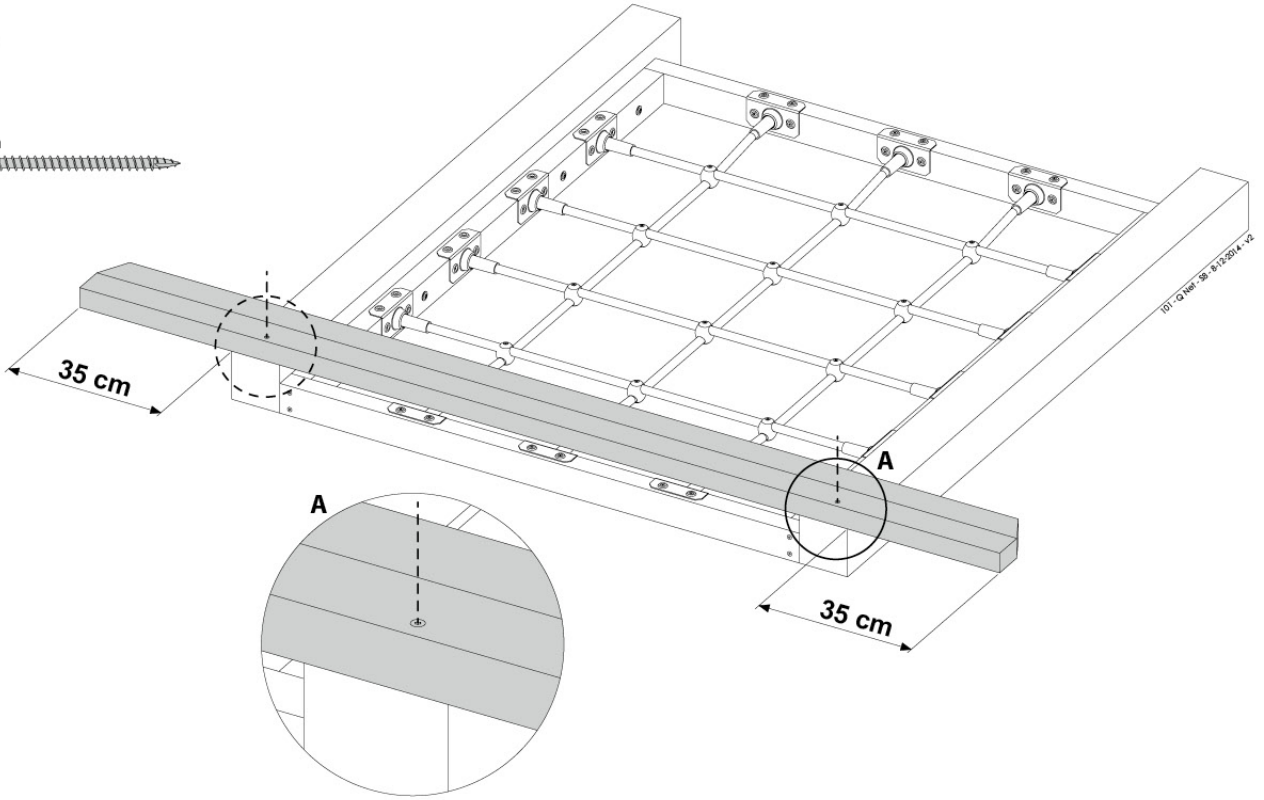


# 5.1h



**5.1i**

2x 80 mm

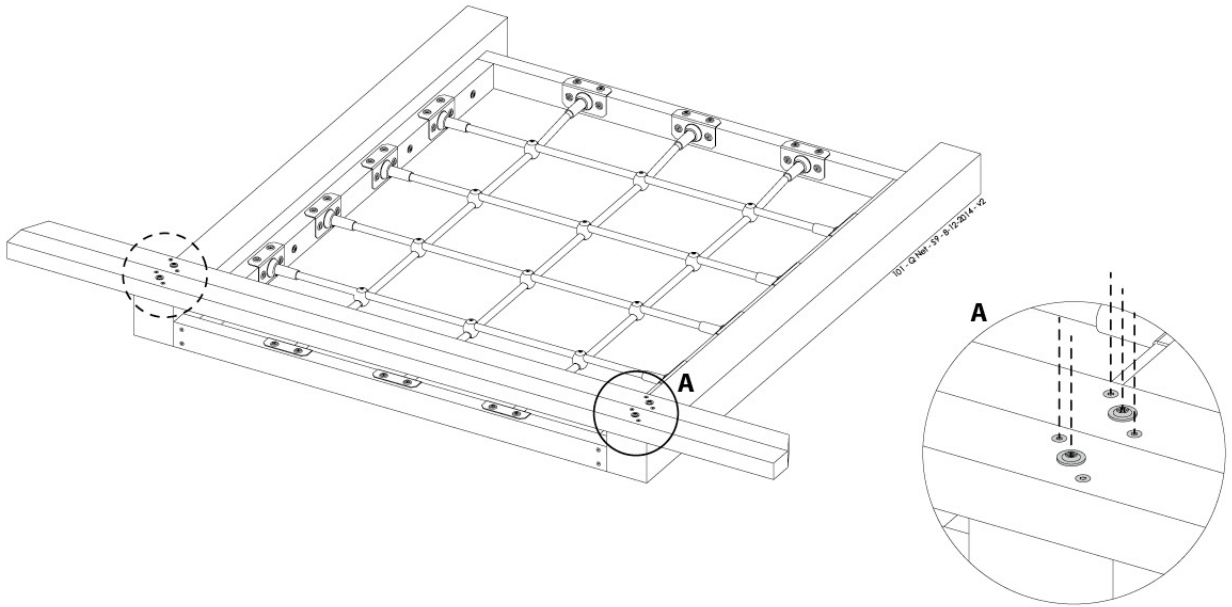
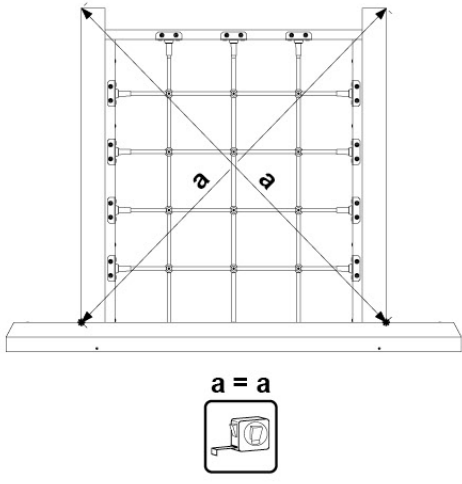



**5.1j**

4x 80 mm



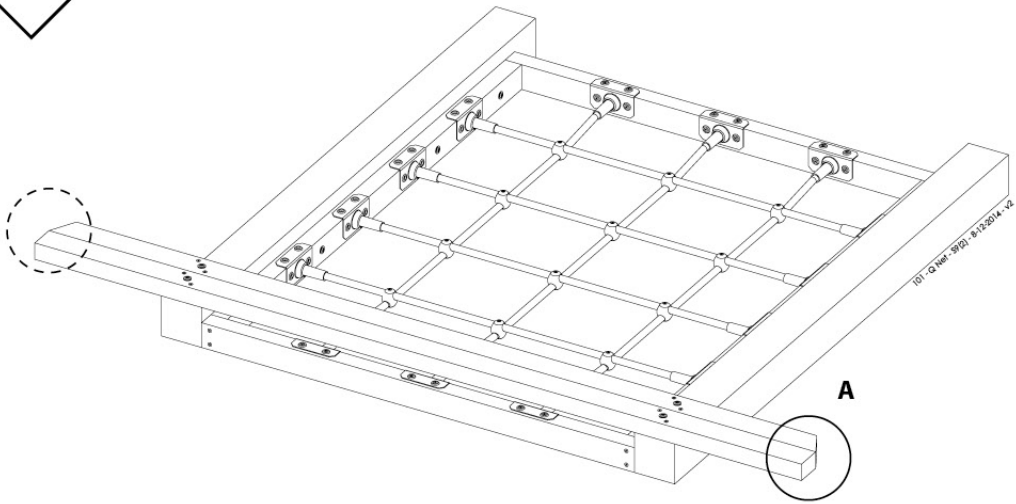
6x 80 mm

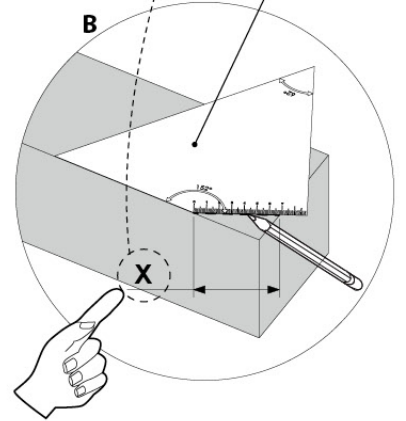
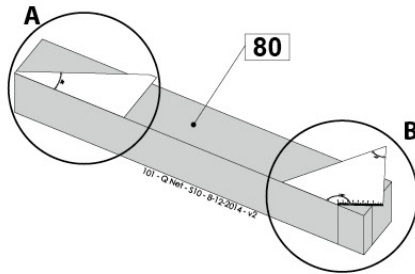
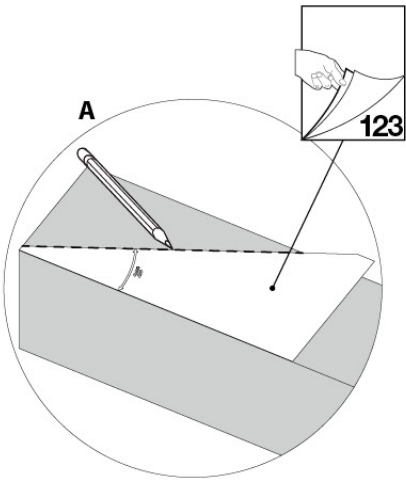


**5.1k**

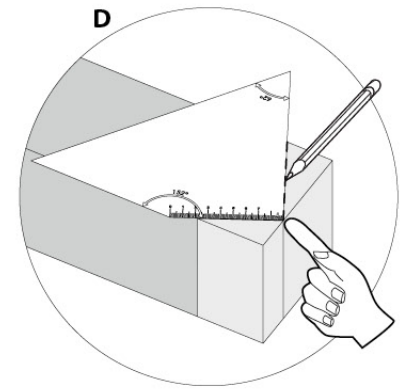
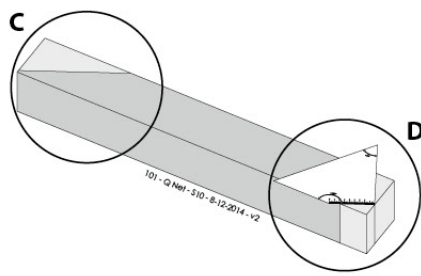
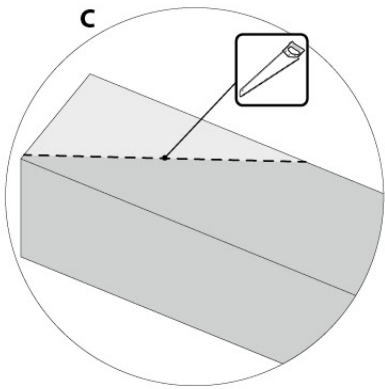
**1**



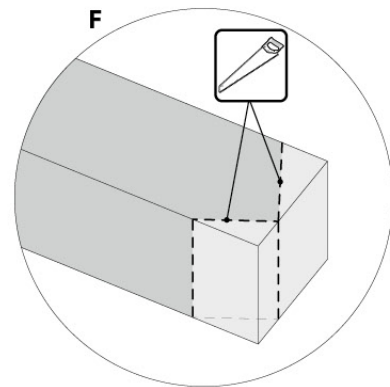
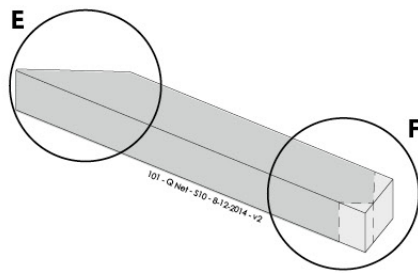
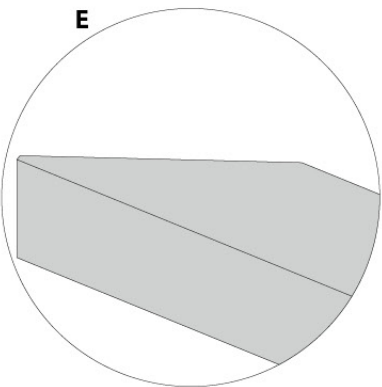
**2**



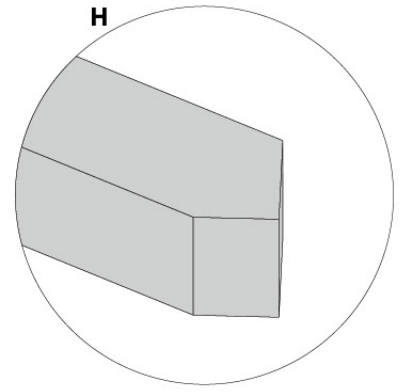
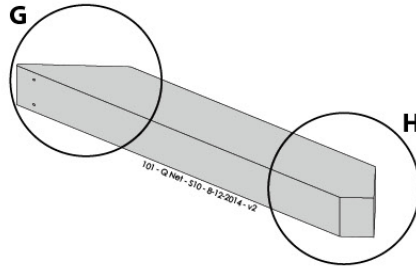
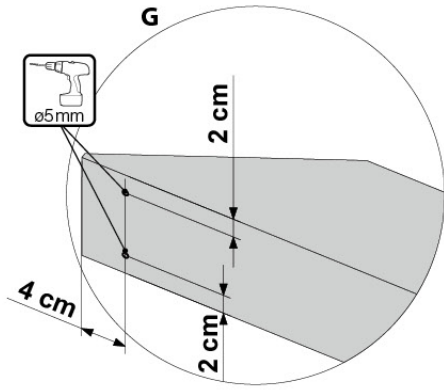
**3**



**4**



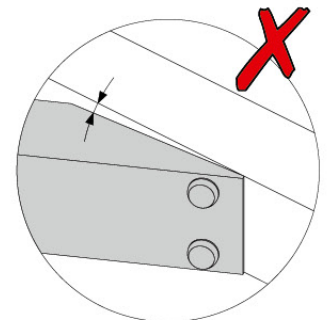
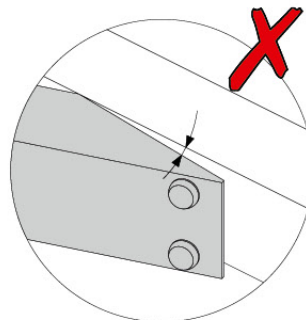
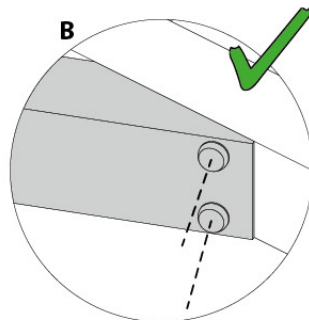
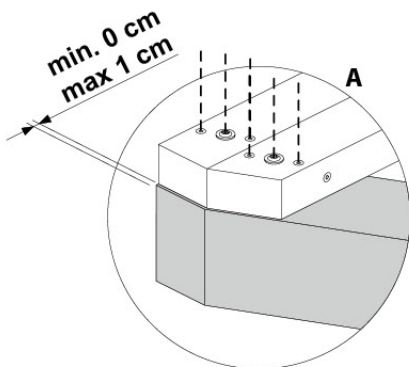
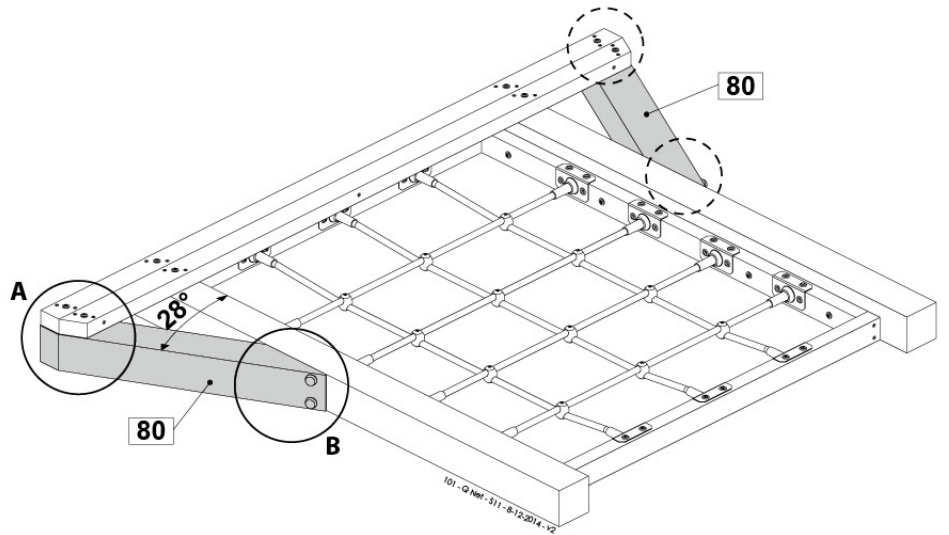
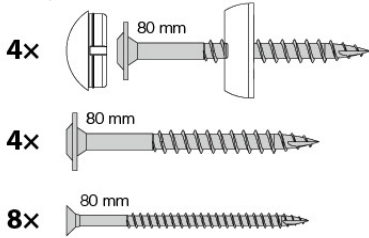
5



6

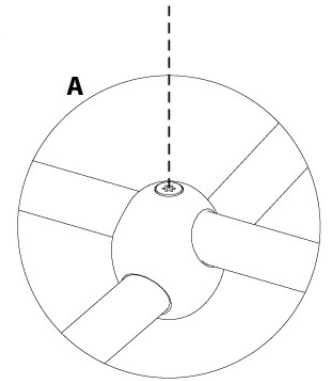
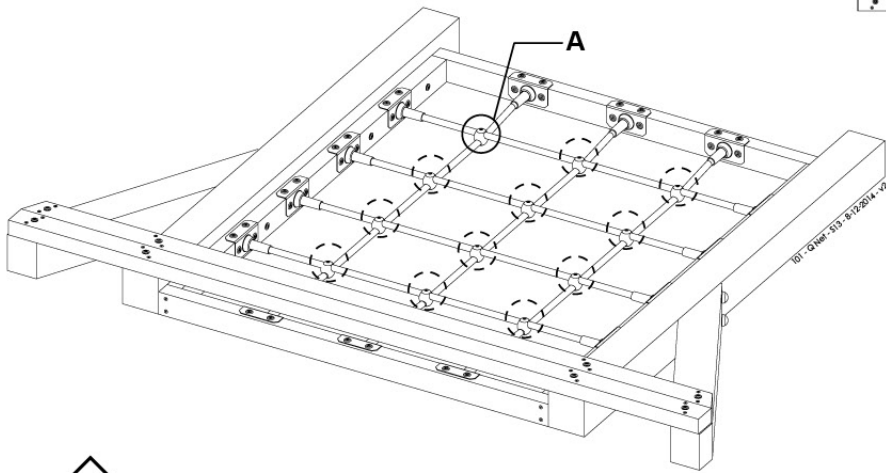
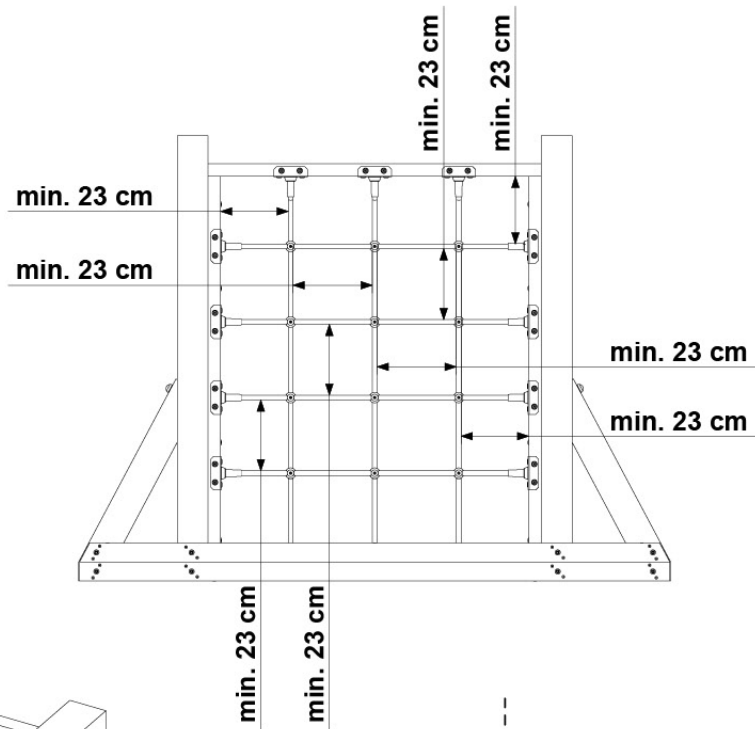


1 - 5




# 5.1m

12x 40 mm





# 5.1n

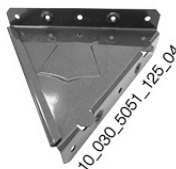
6x 45 mm  $\phi 17$  mm




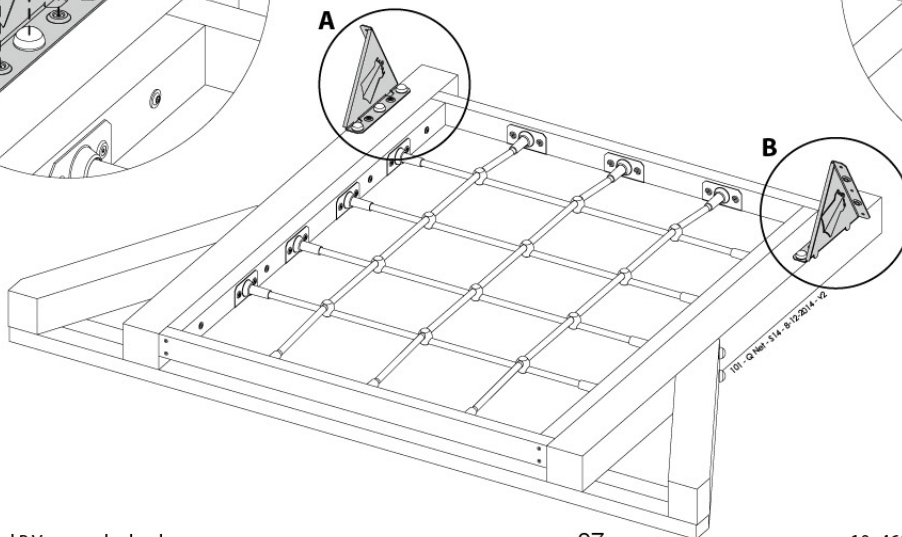
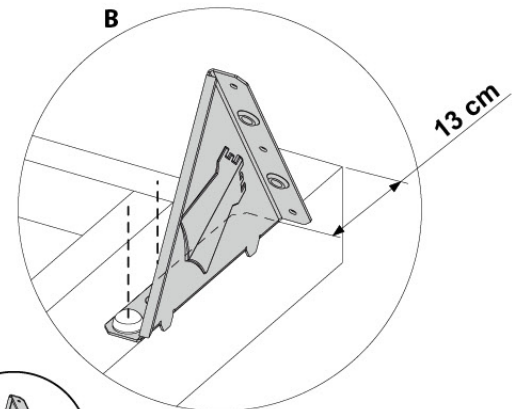
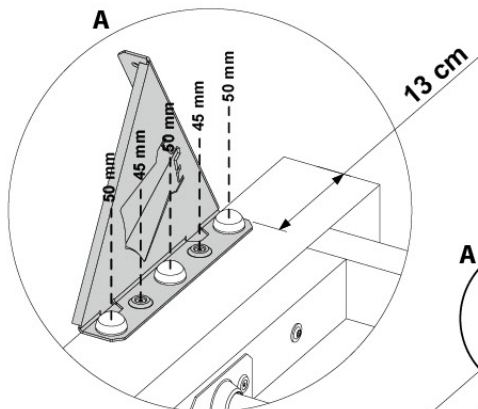
4x 45 mm



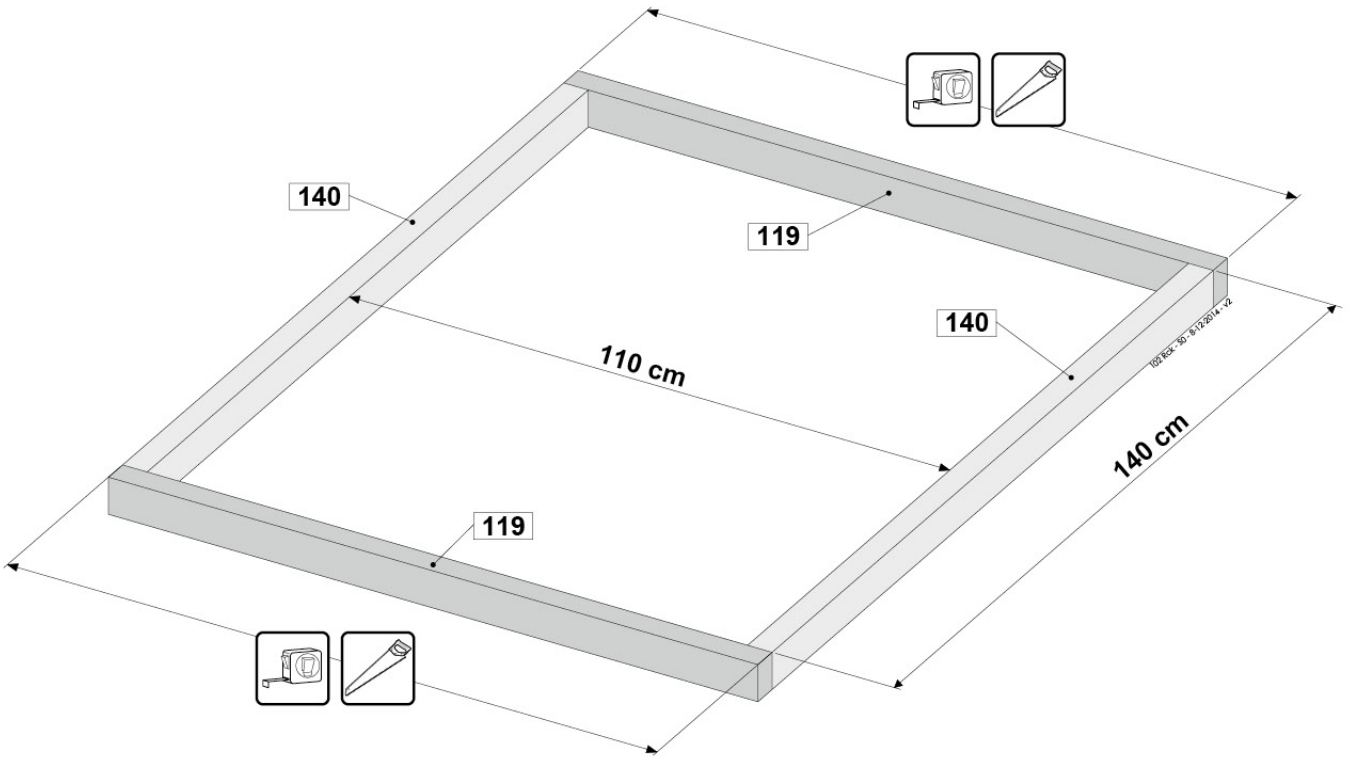
1x 10\_080\_5051\_125\_04



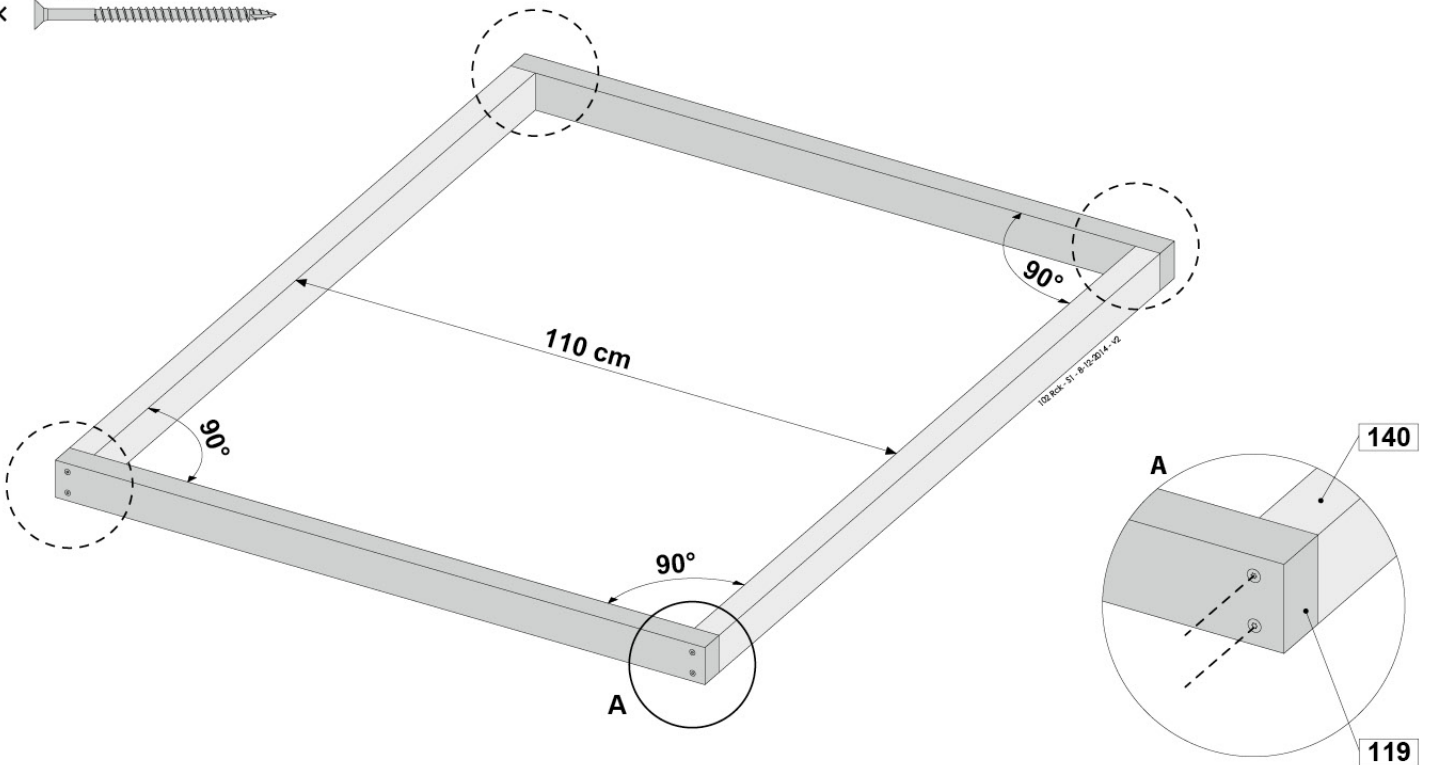
1x 10\_030\_5051\_225\_04

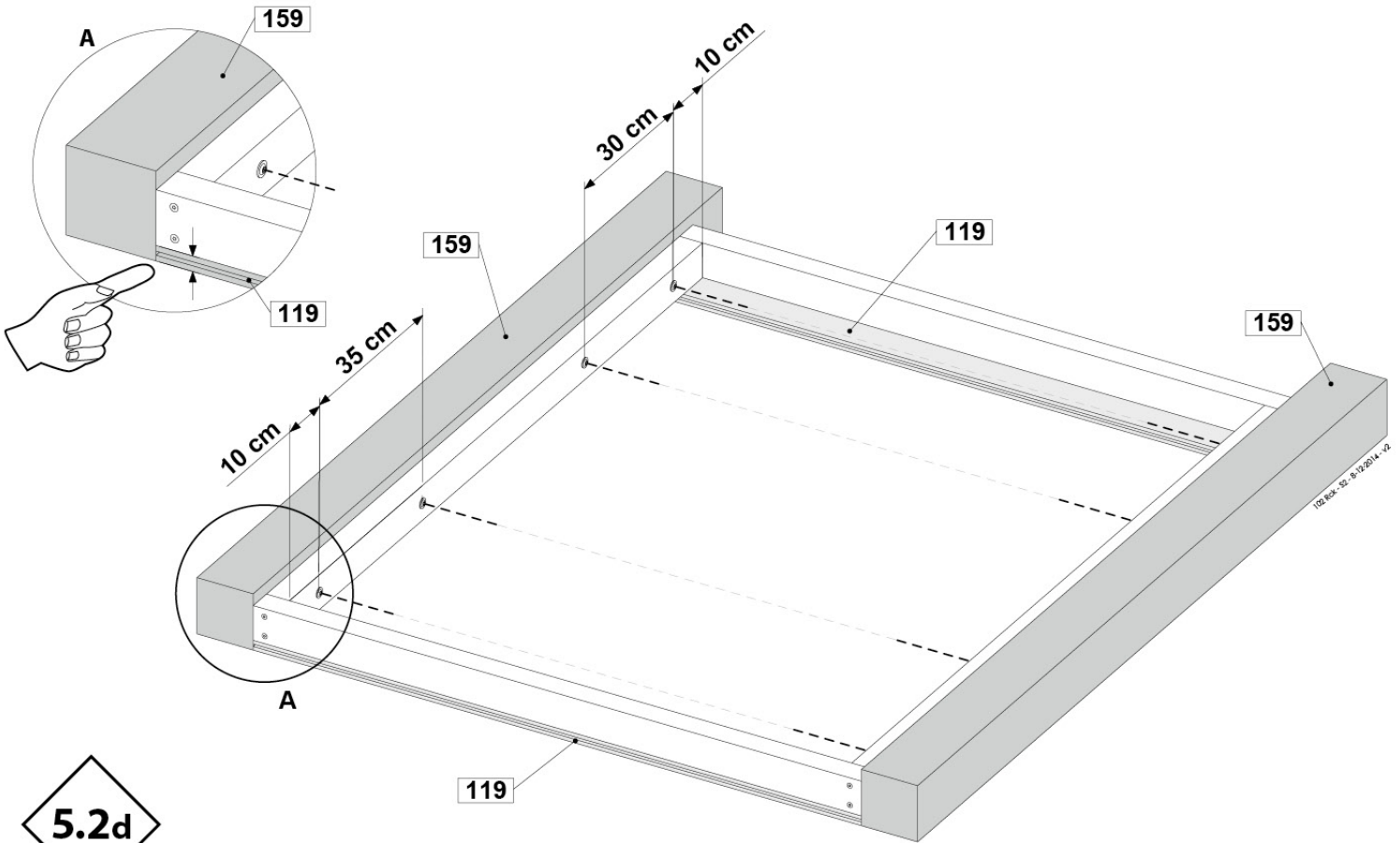
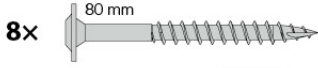
5.2a



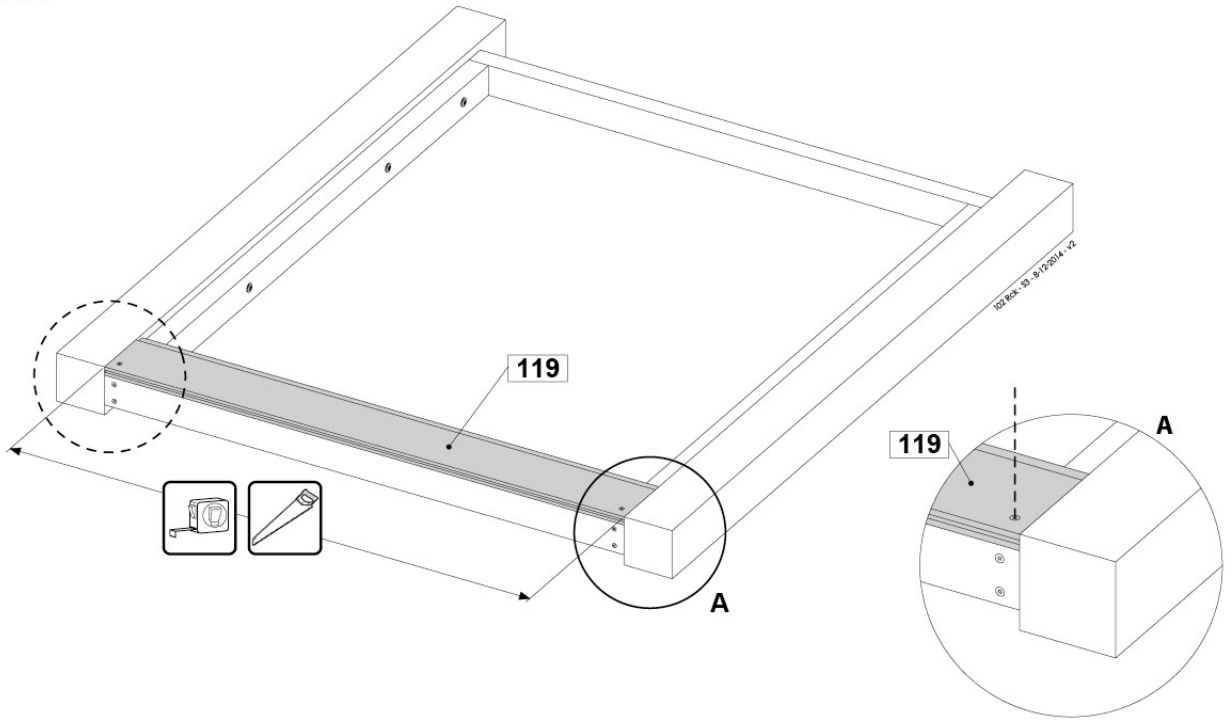
5.2b



5.2c



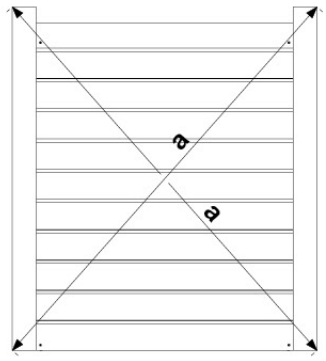
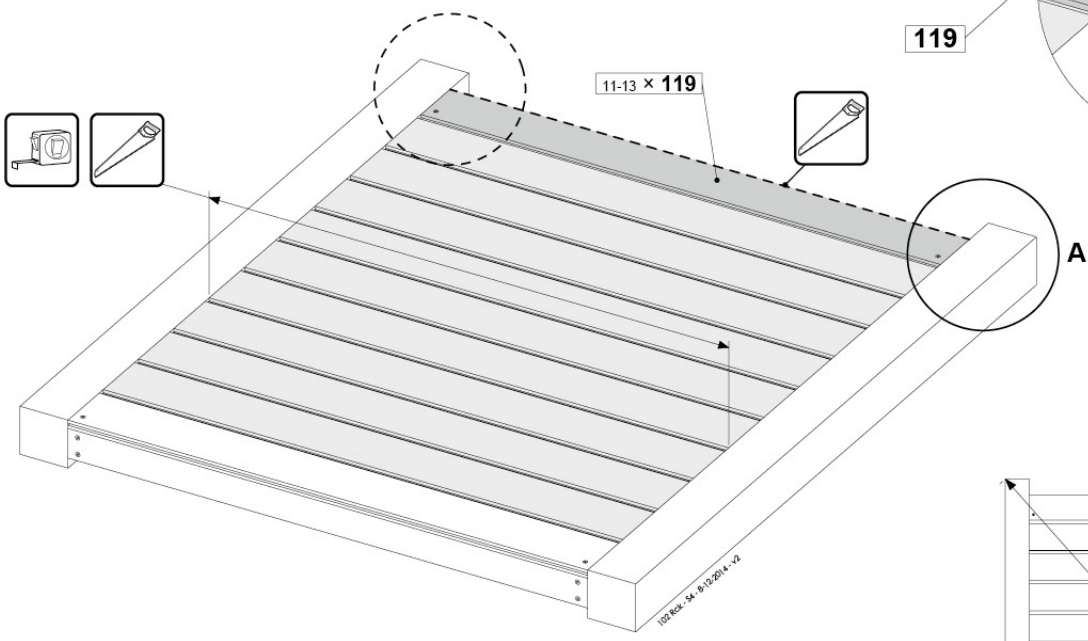
5.2d



**5.2e**

2x 45 mm

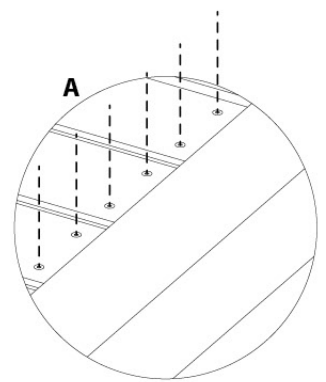
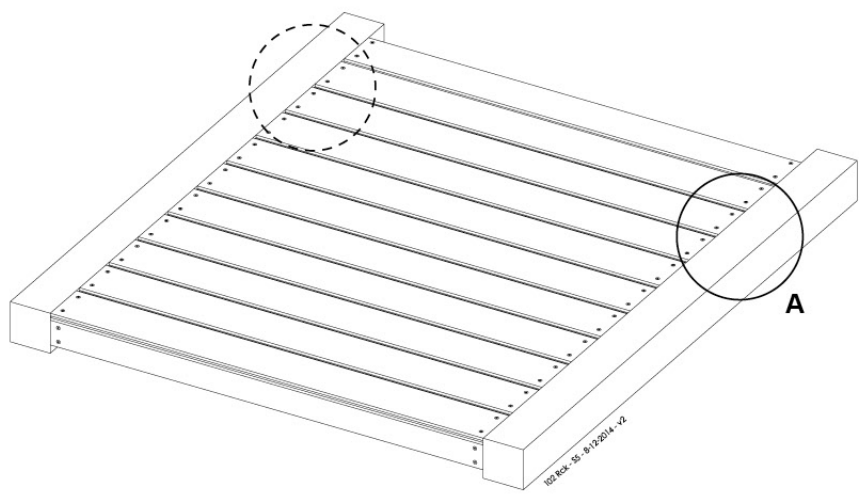
min. 7,5  
max. 11 cm



a = a

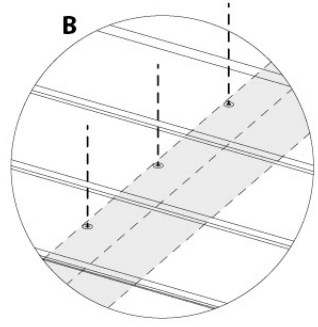
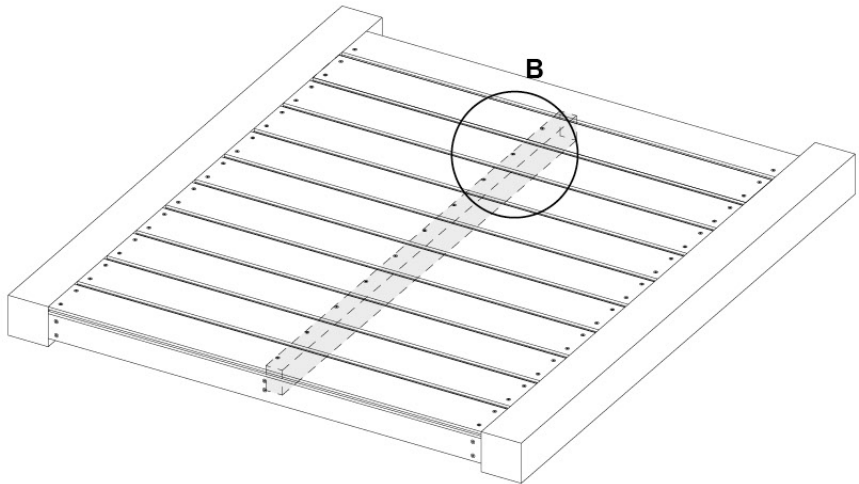
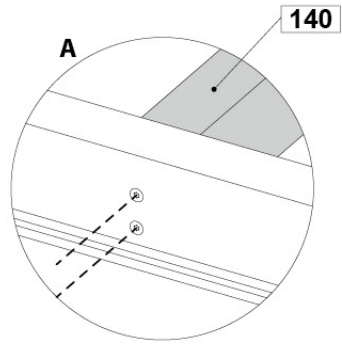
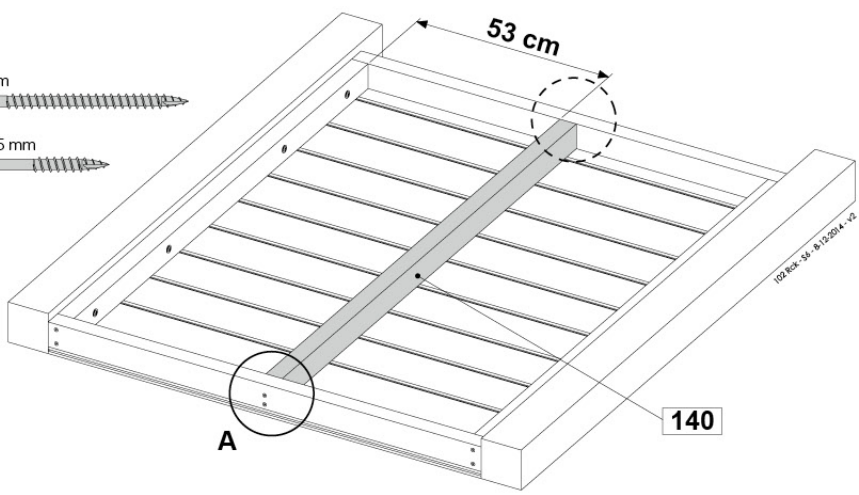
**5.2f**

44 - 52x 45 mm

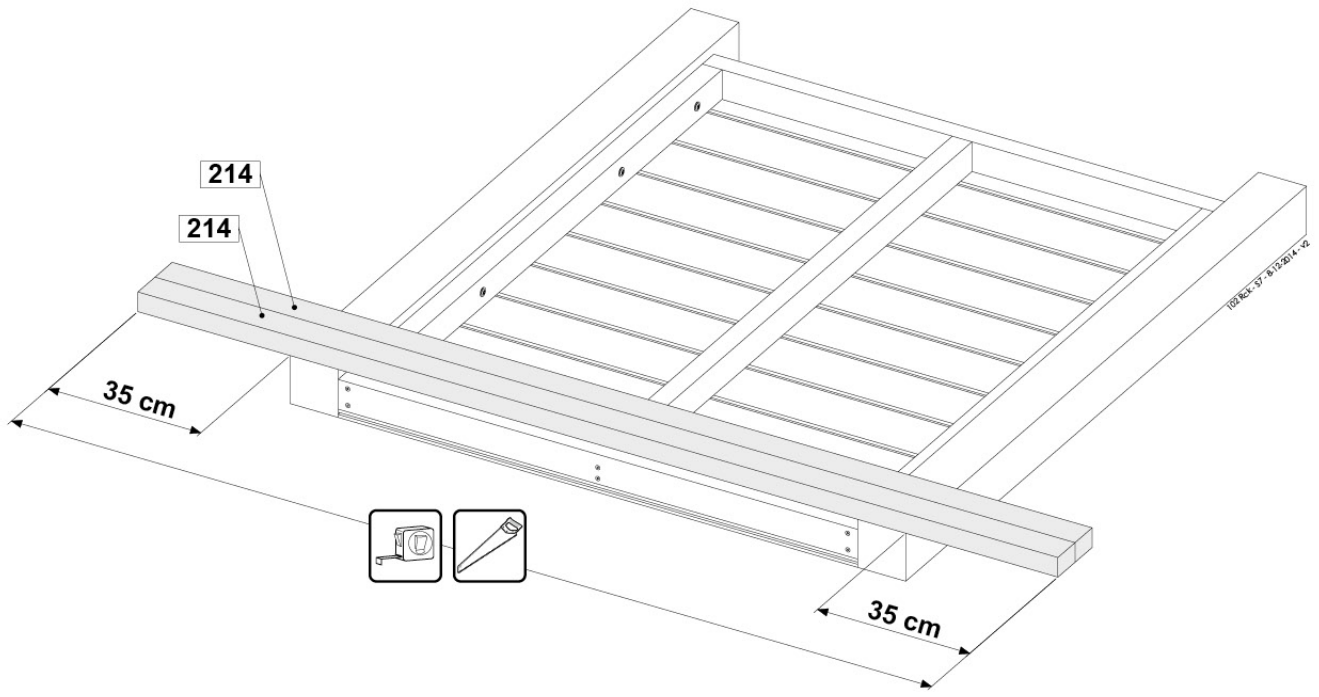


**5.2g**

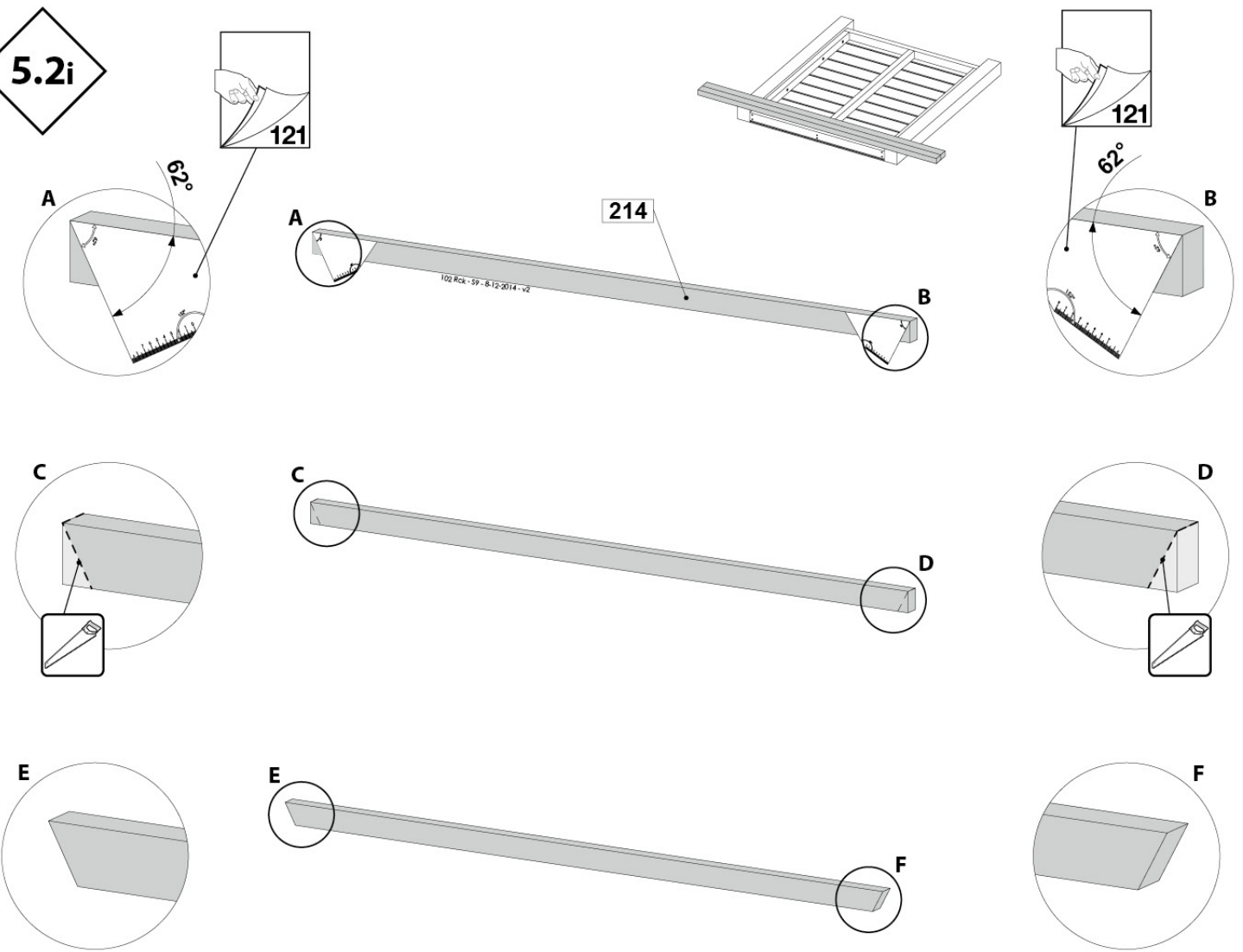
- 4x 80 mm
- 12 - 14x 45 mm



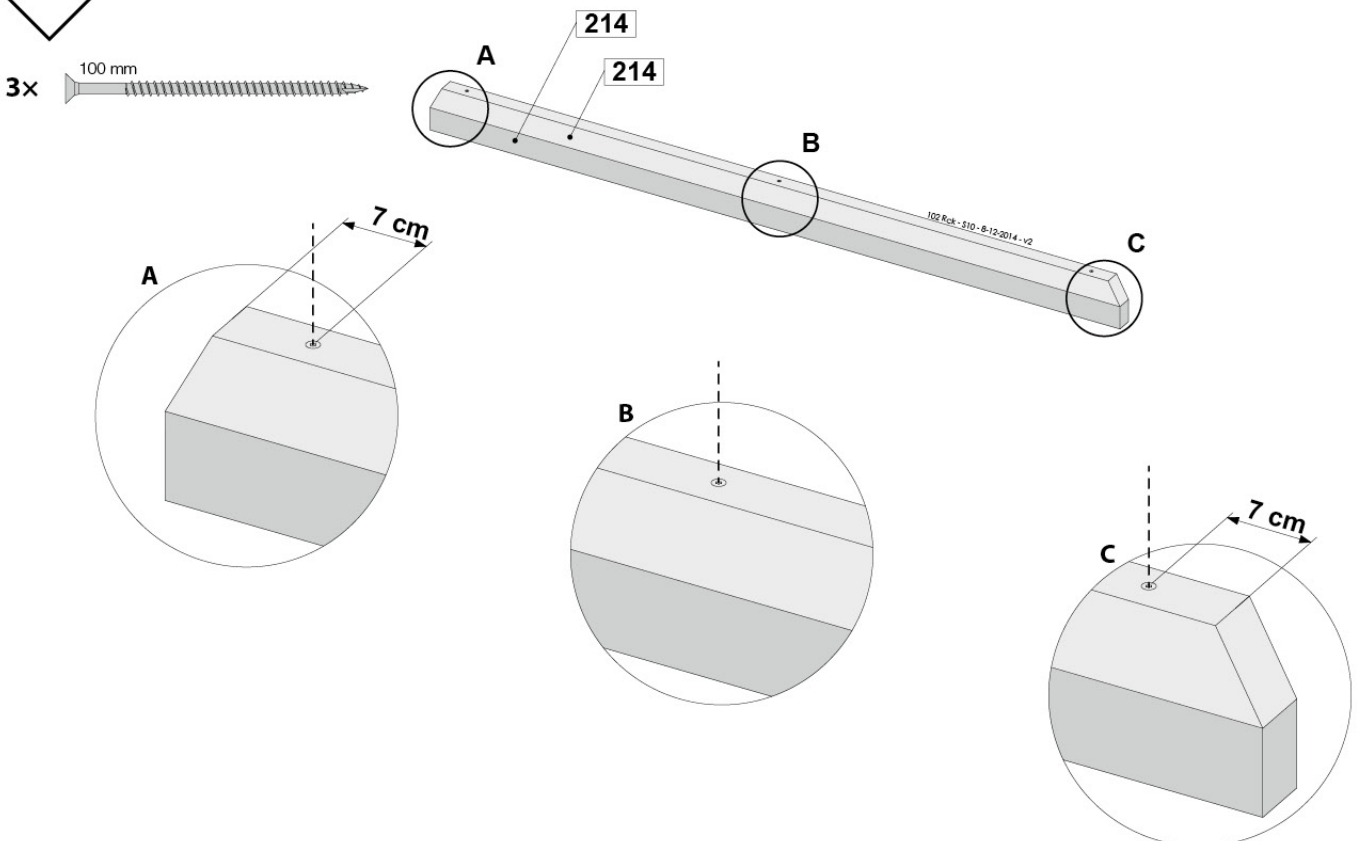
**5.2h**



5.2i


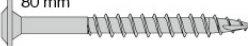


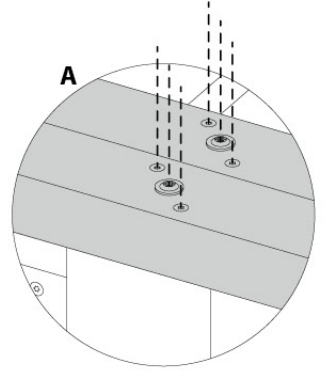
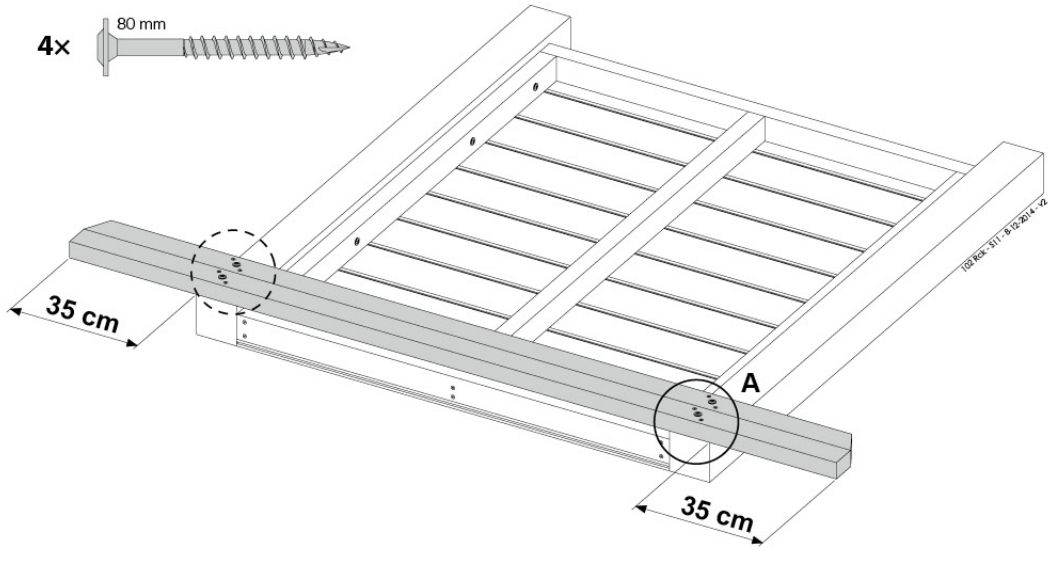
5.2j





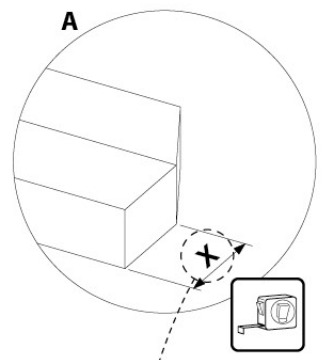
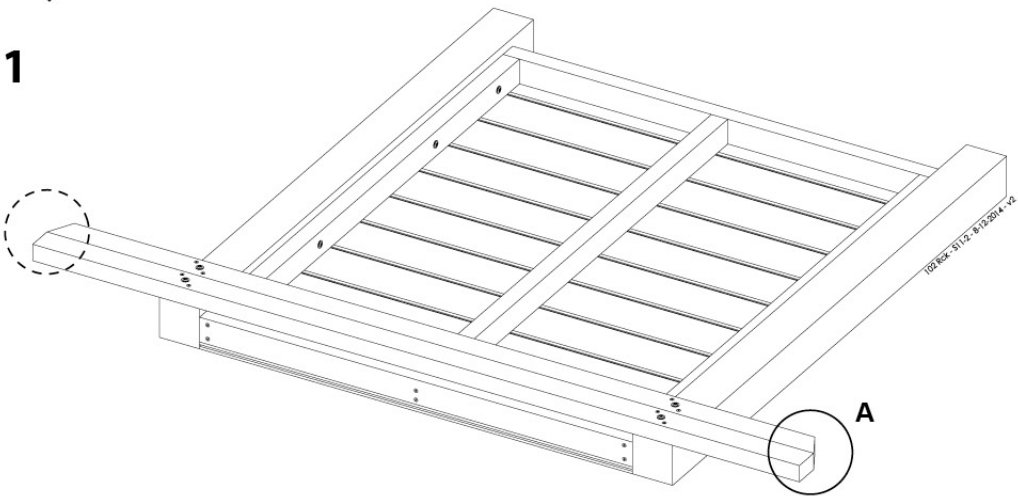
# 5.2k

- 8x 80 mm 
- 4x 80 mm 

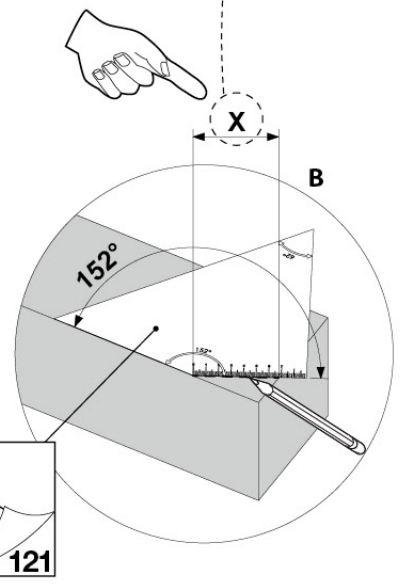
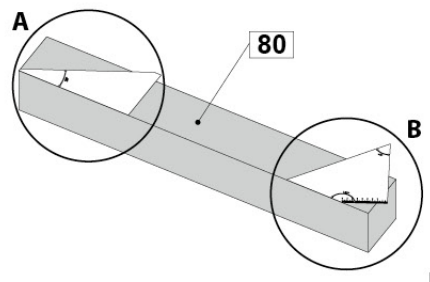
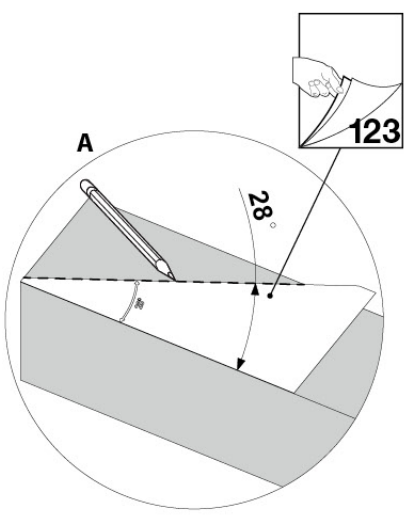


# 5.2L

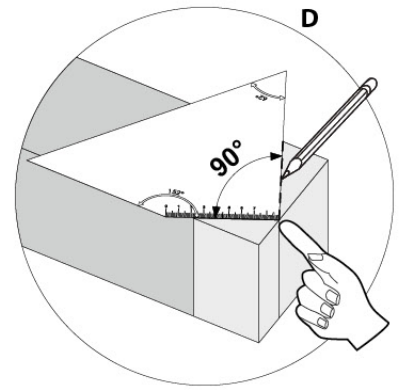
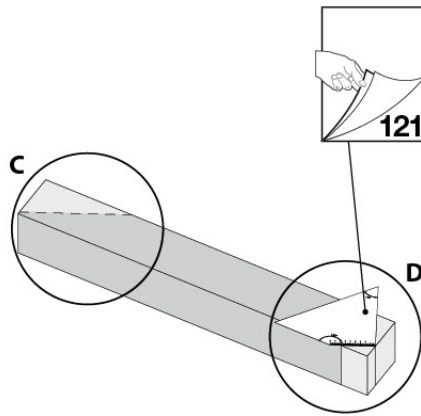
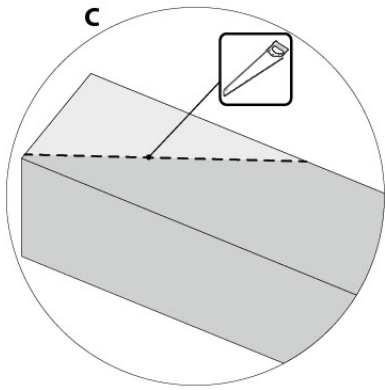
1



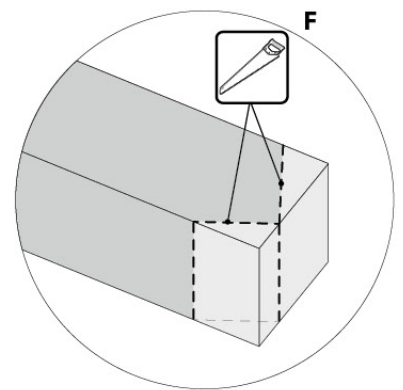
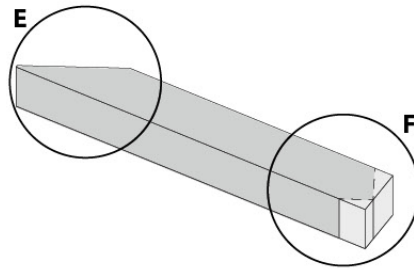
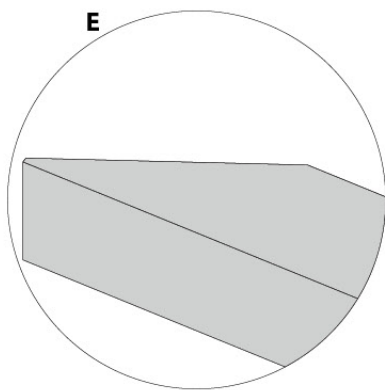
2



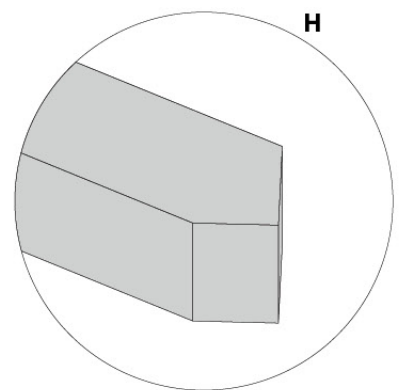
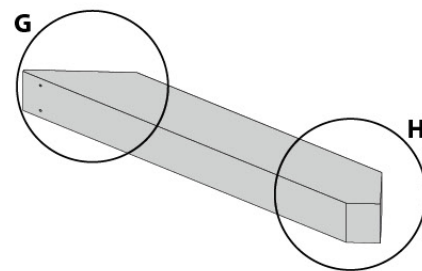
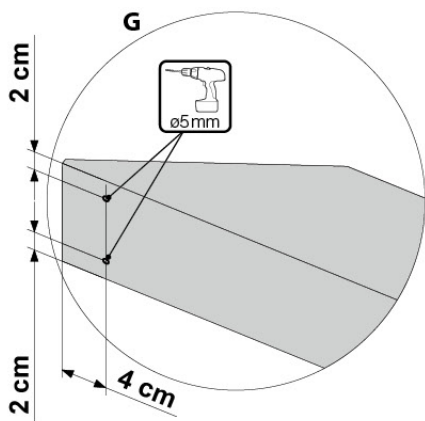
3



4



5

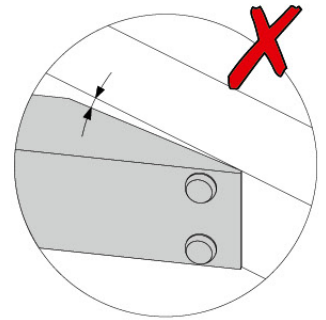
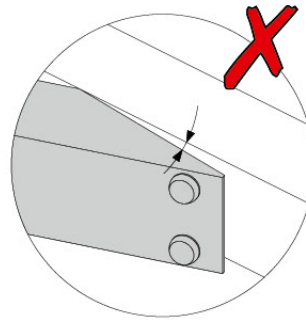
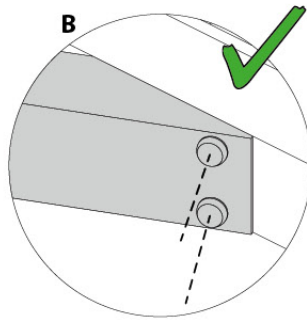
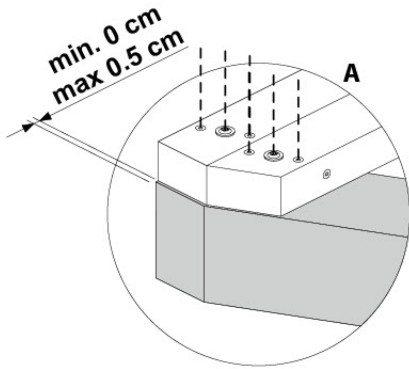
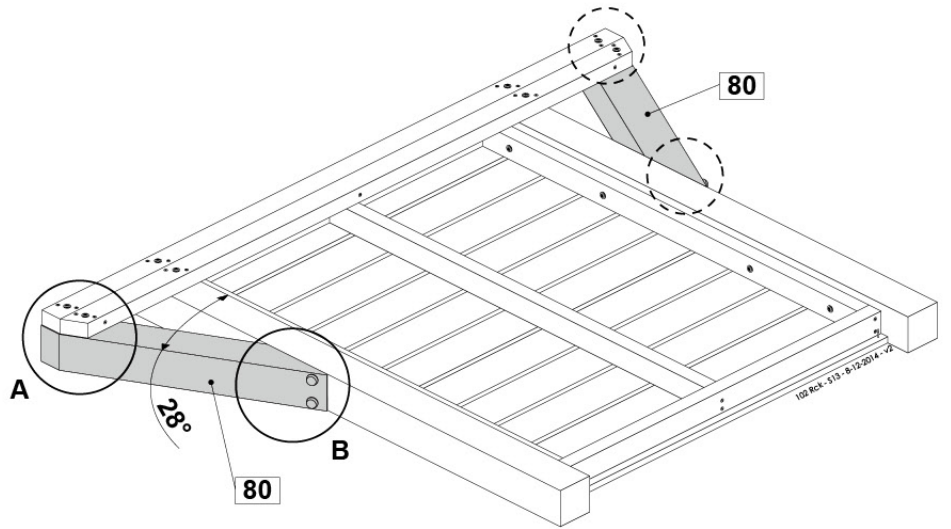
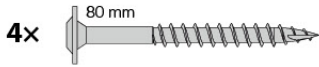
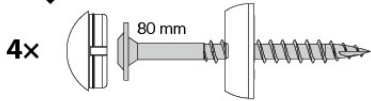


6

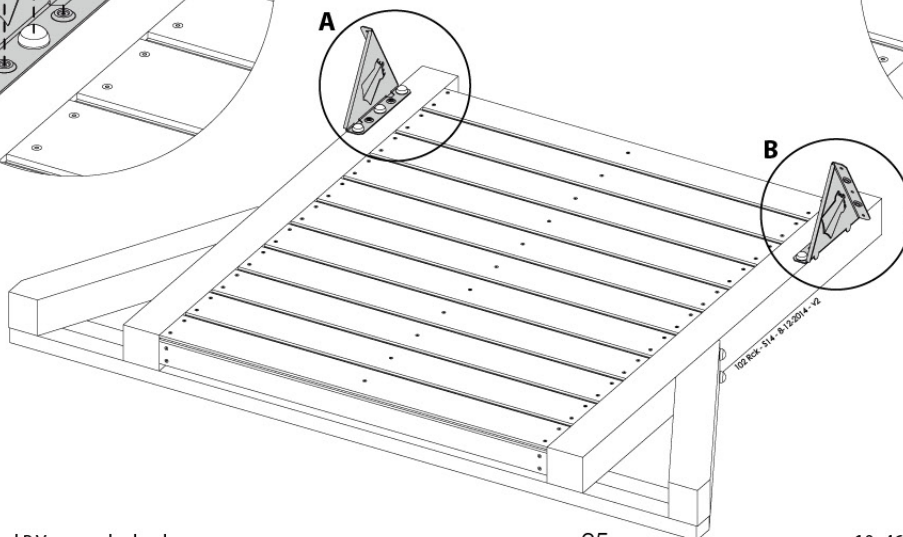
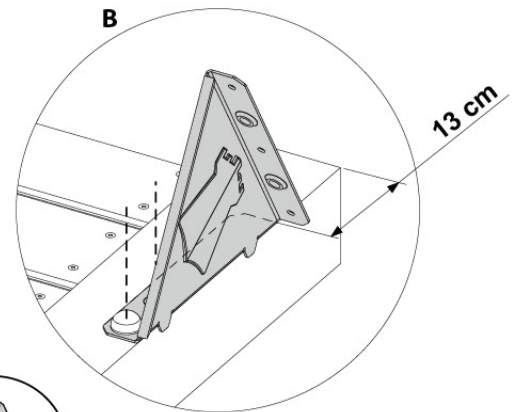
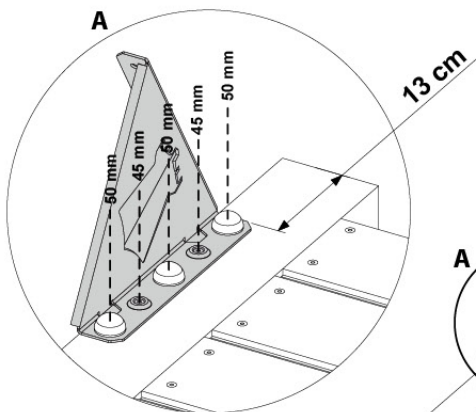
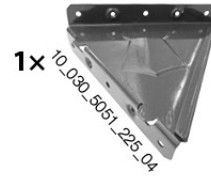
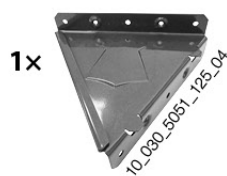
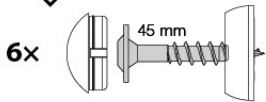
5.2L 1 - 5

2x

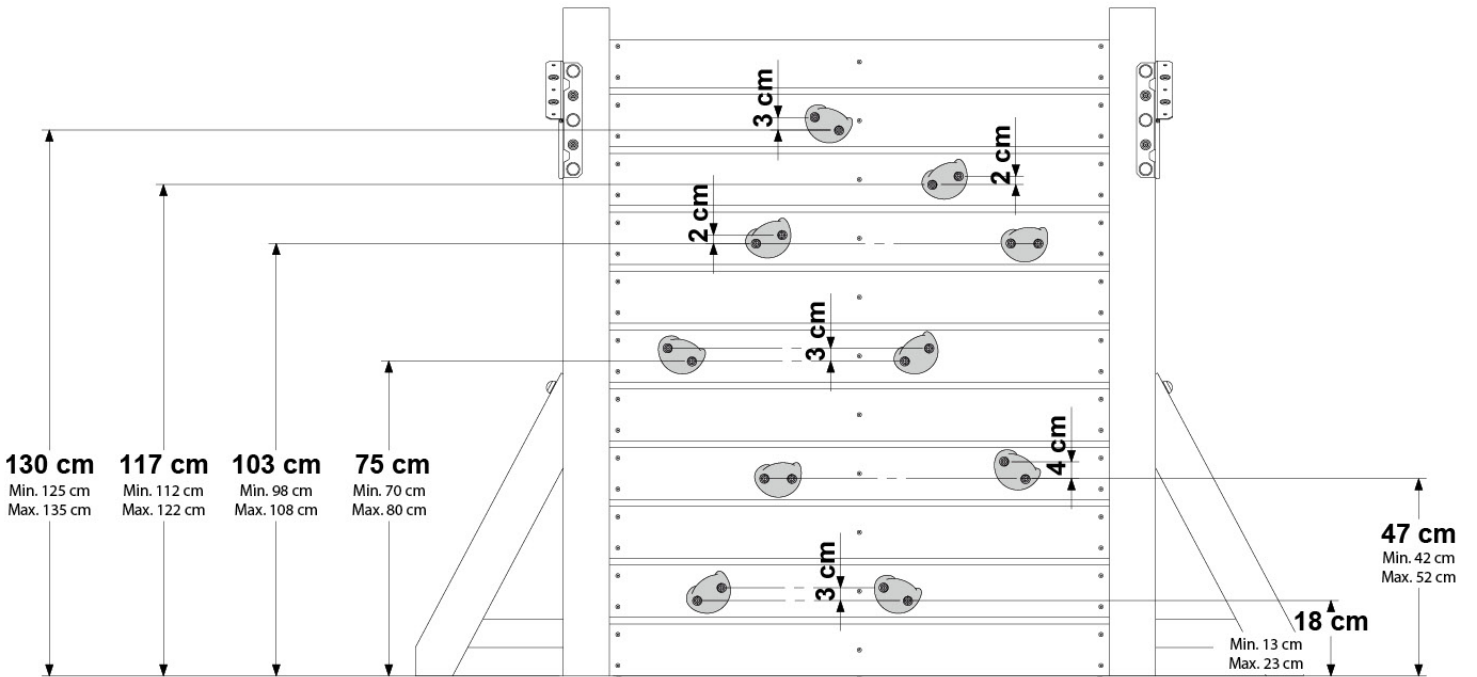
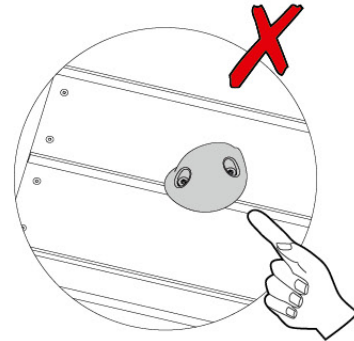
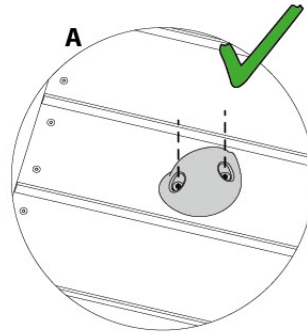
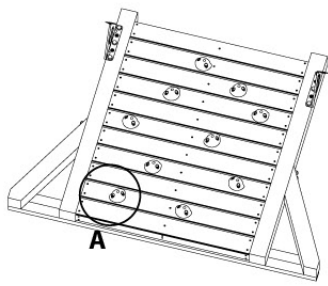
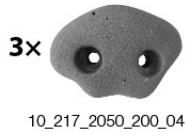
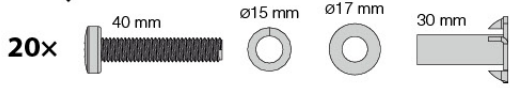
# 5.2m



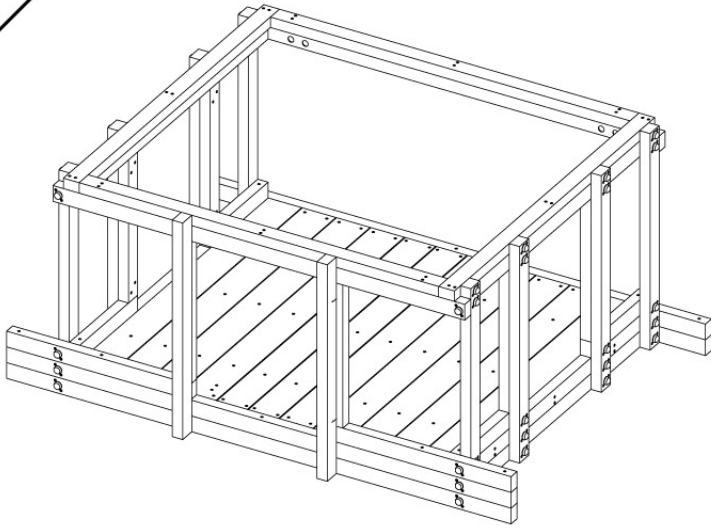
# 5.2n



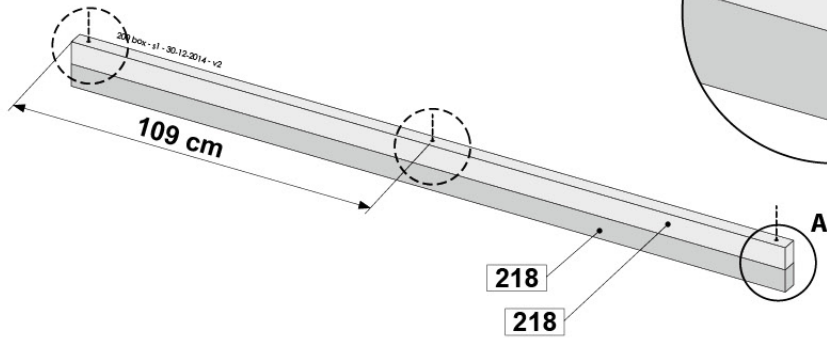
# 5.2o



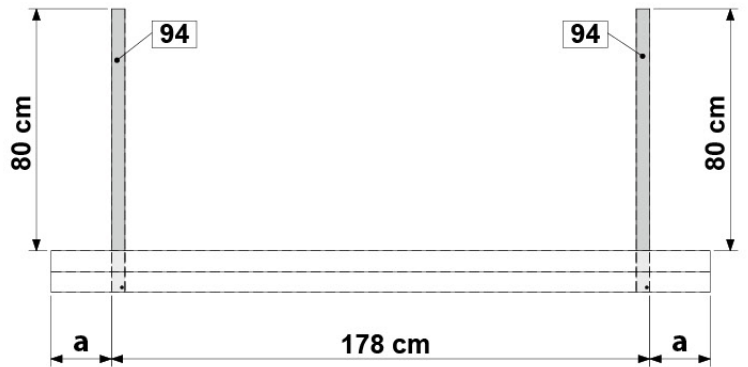
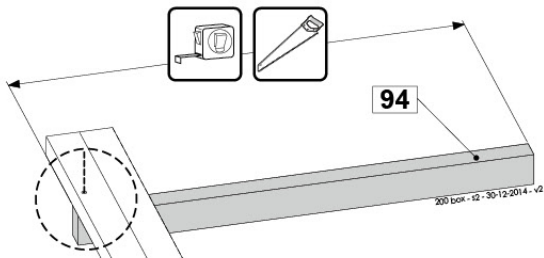
6



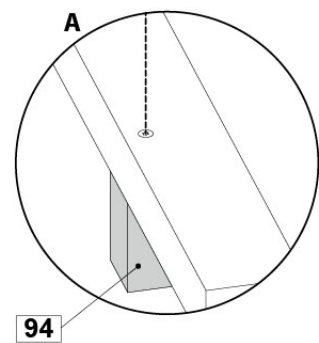
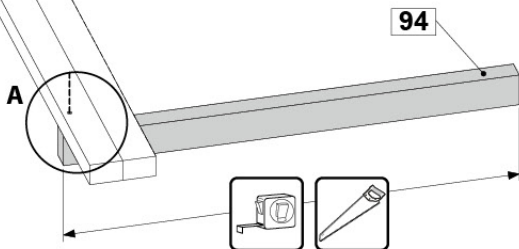
6a



6b

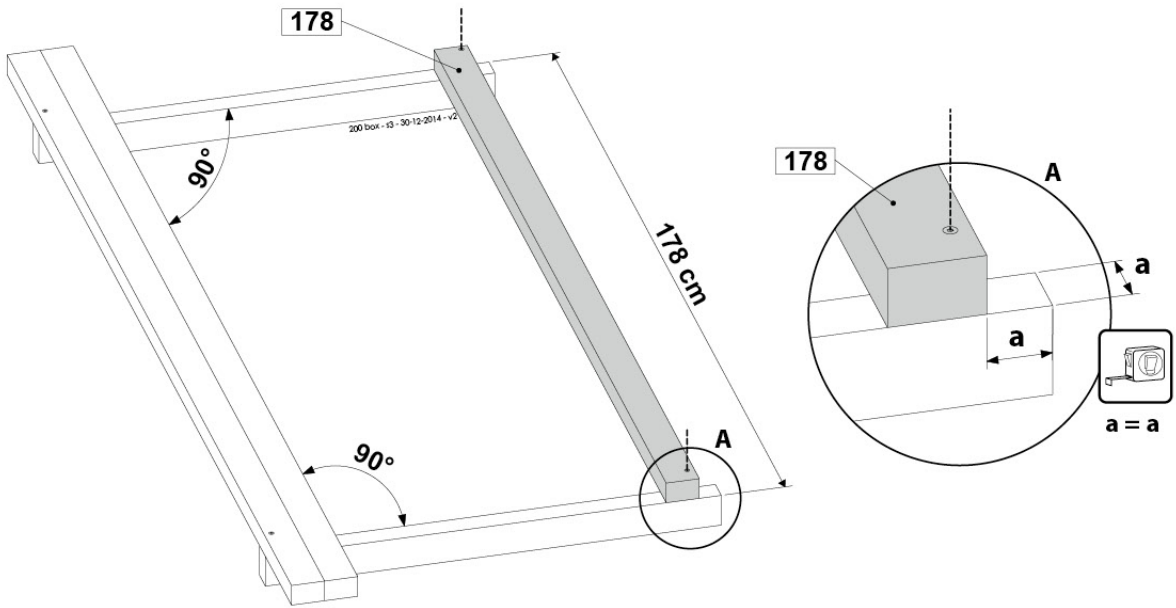


a = a

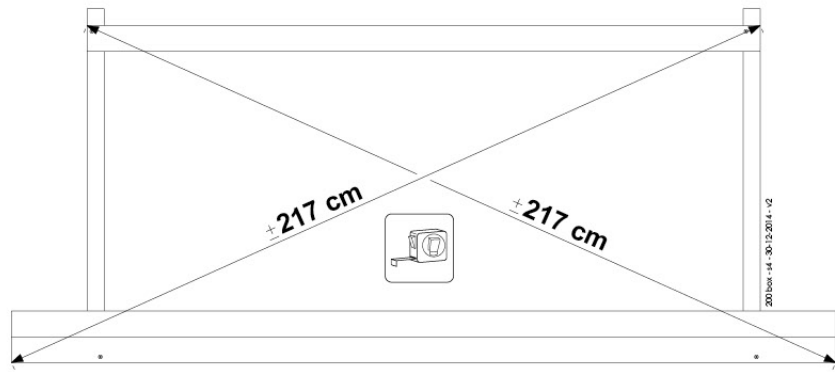


6c

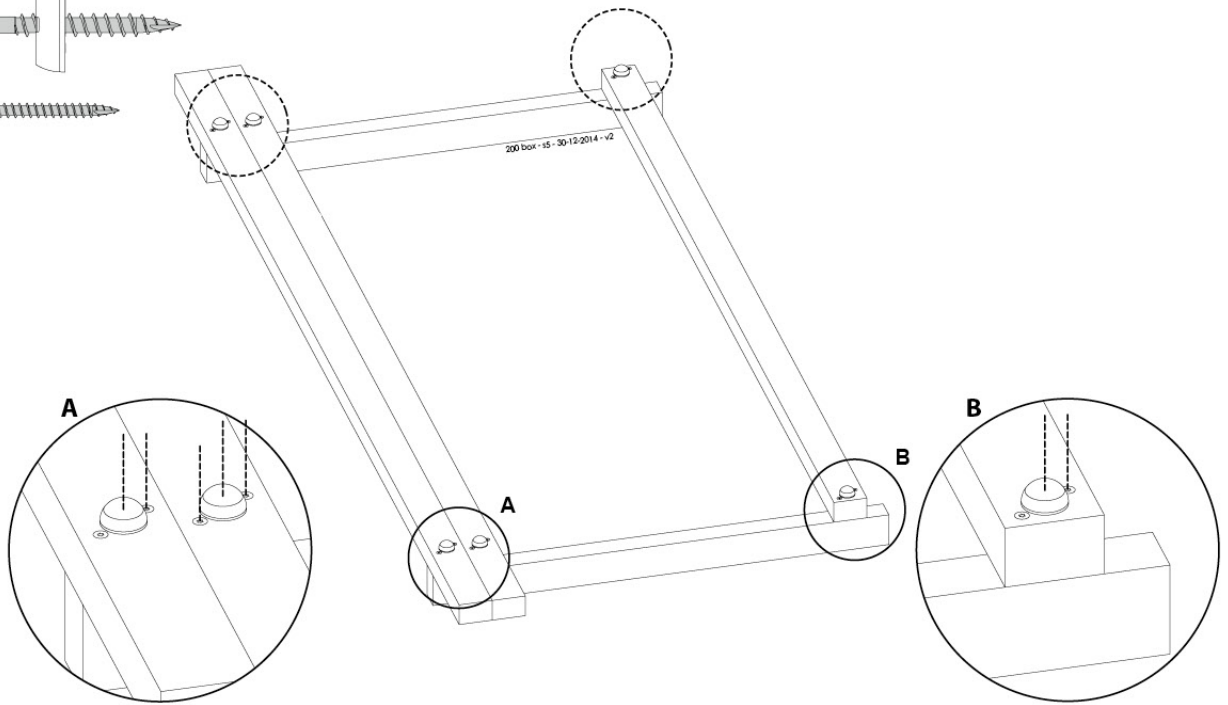
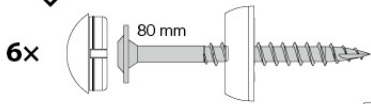
2x 80 mm 



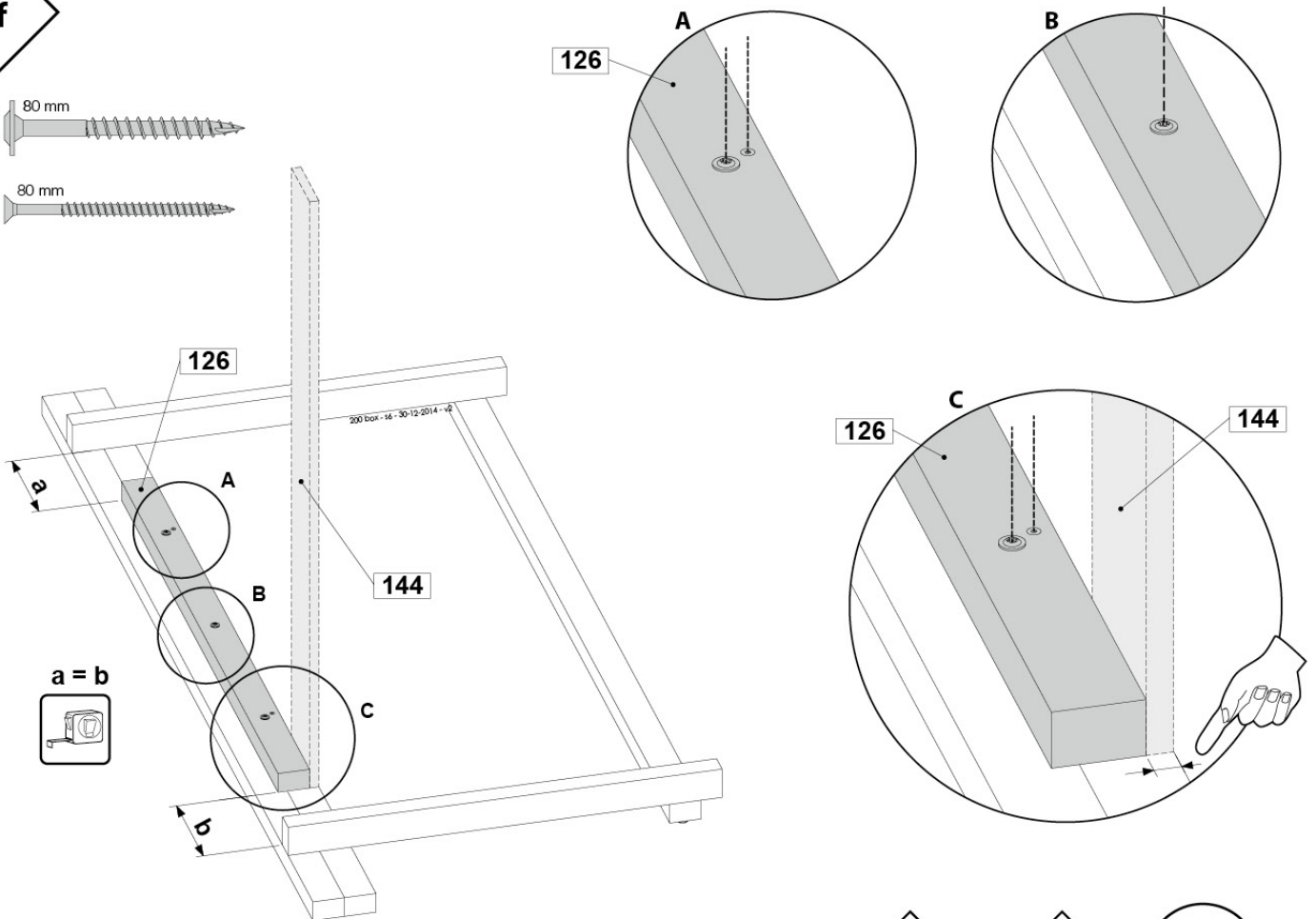
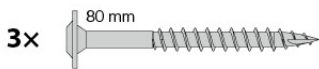
6d



**6e**



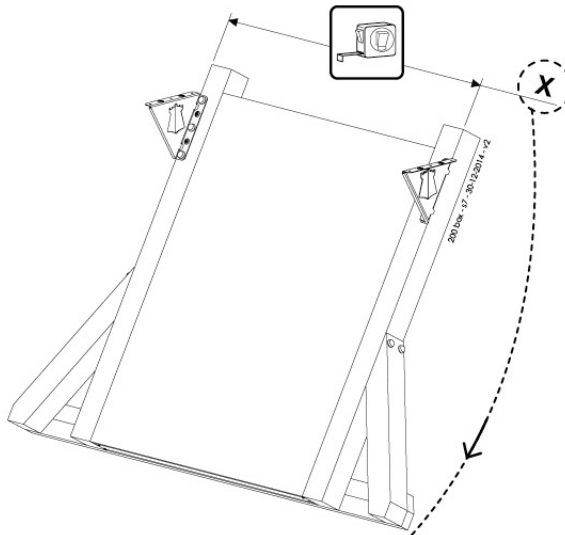
**6f**



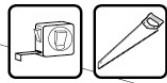
**6a** — **6f** **2x**

**6g**

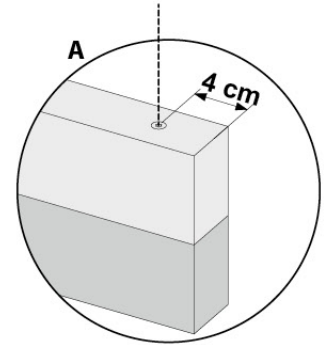
6x 100 mm



144  
144



X

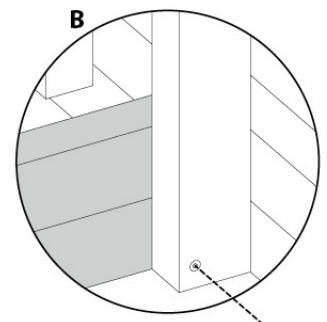
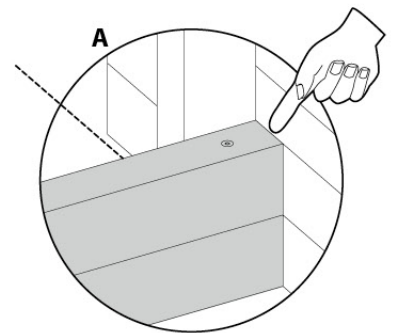
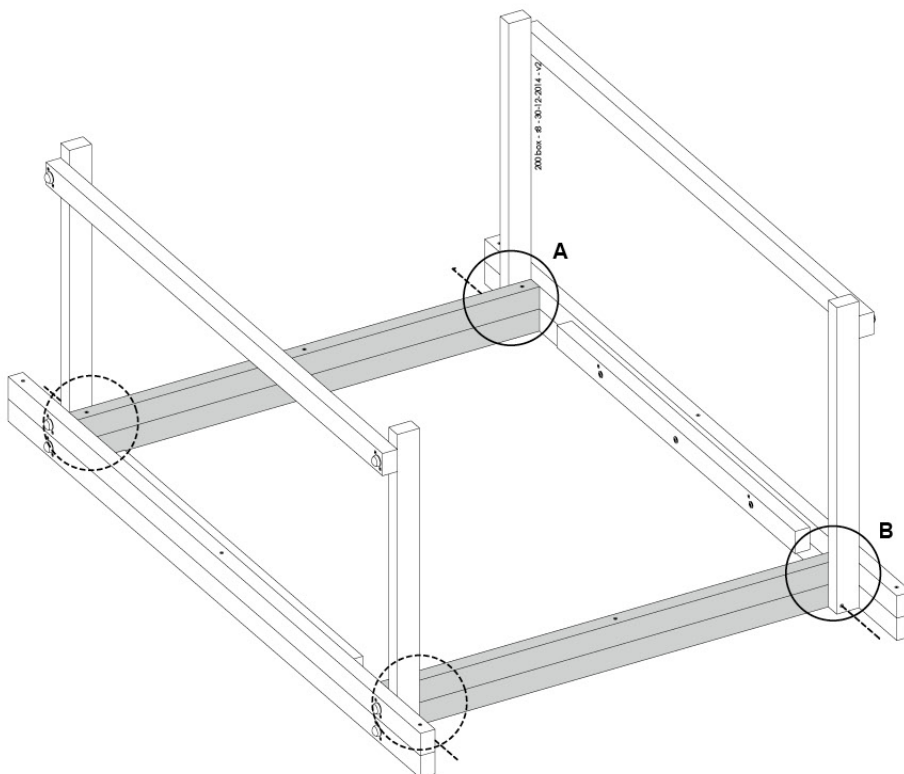


**6g**

**2x**

**6h**

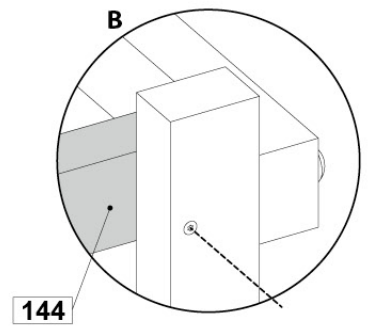
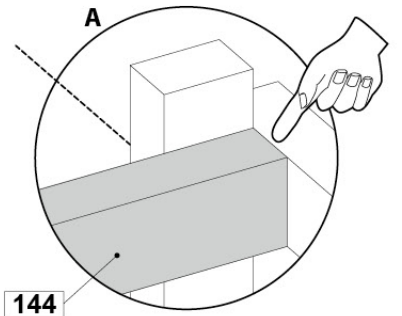
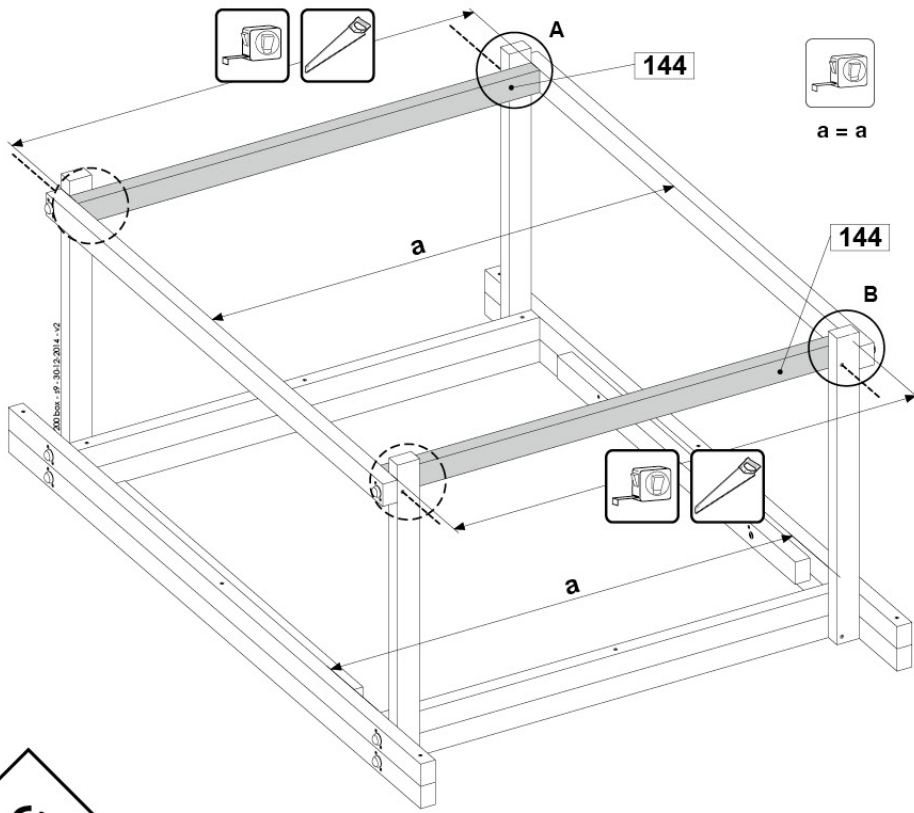
4x 80 mm



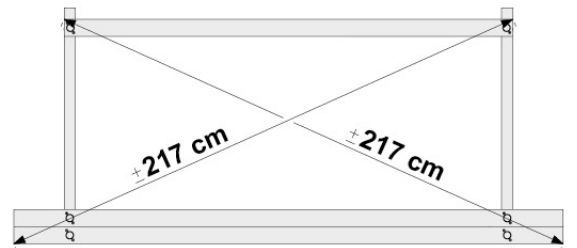
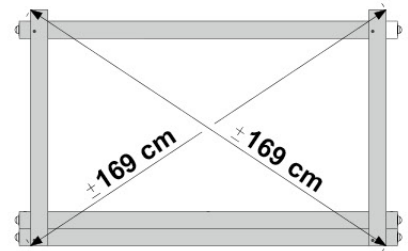
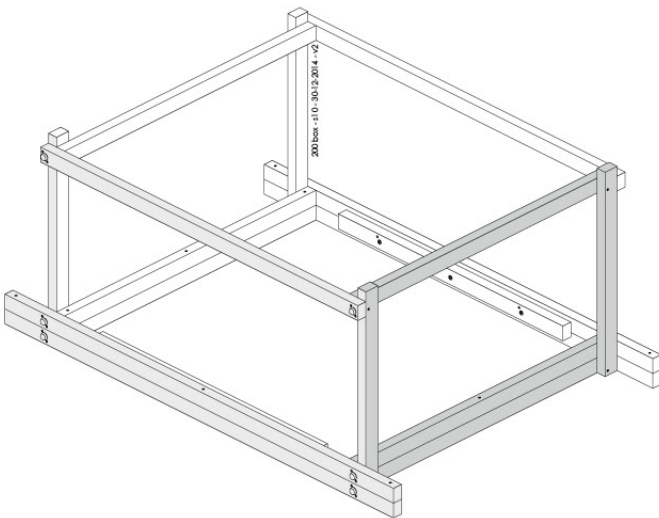


6i

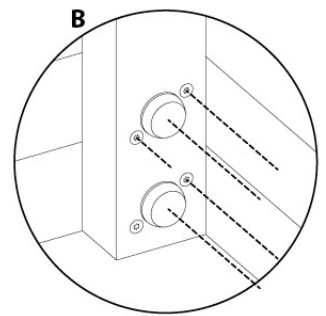
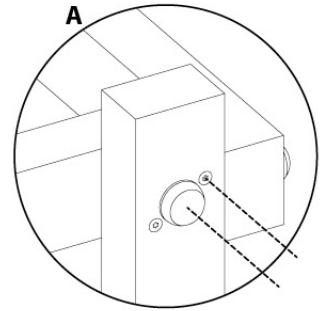
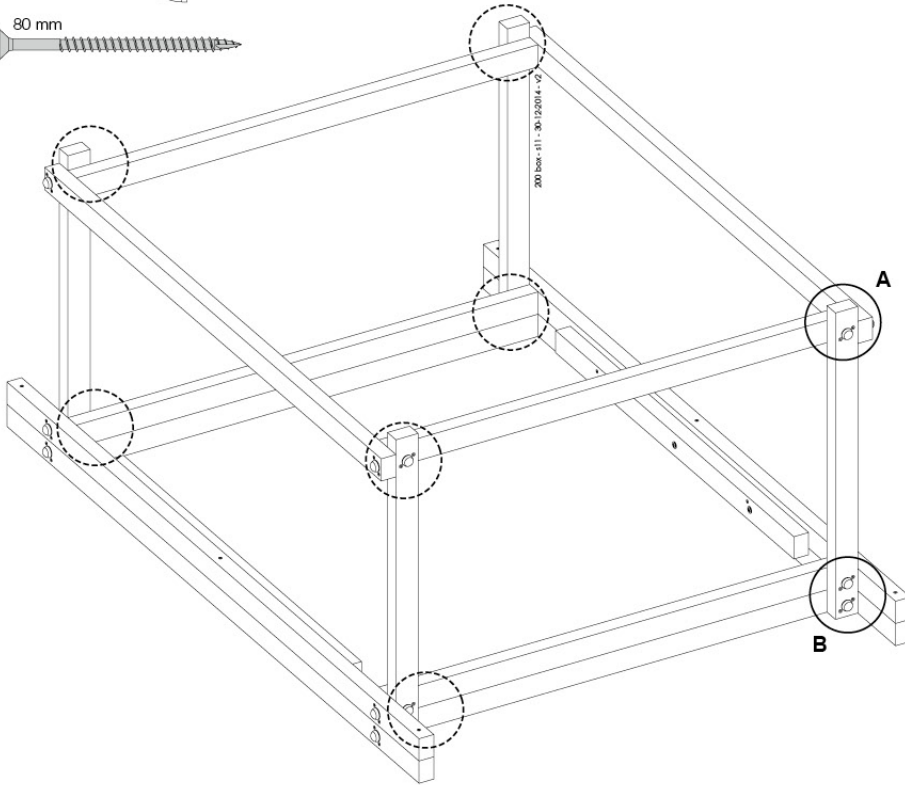
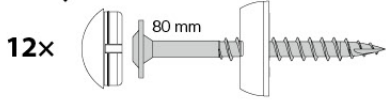
4x 80 mm 



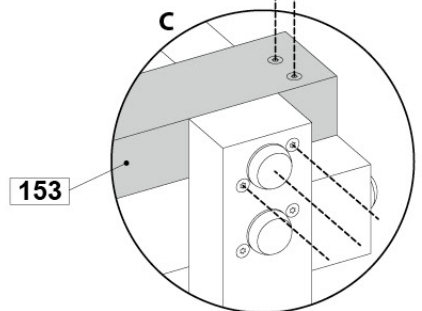
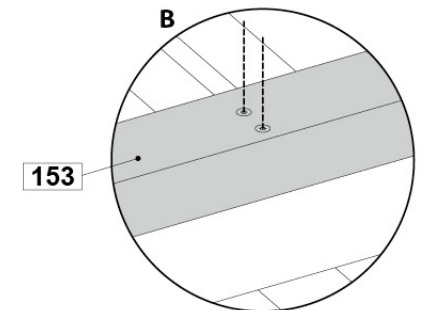
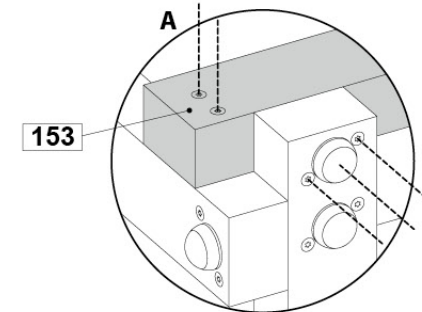
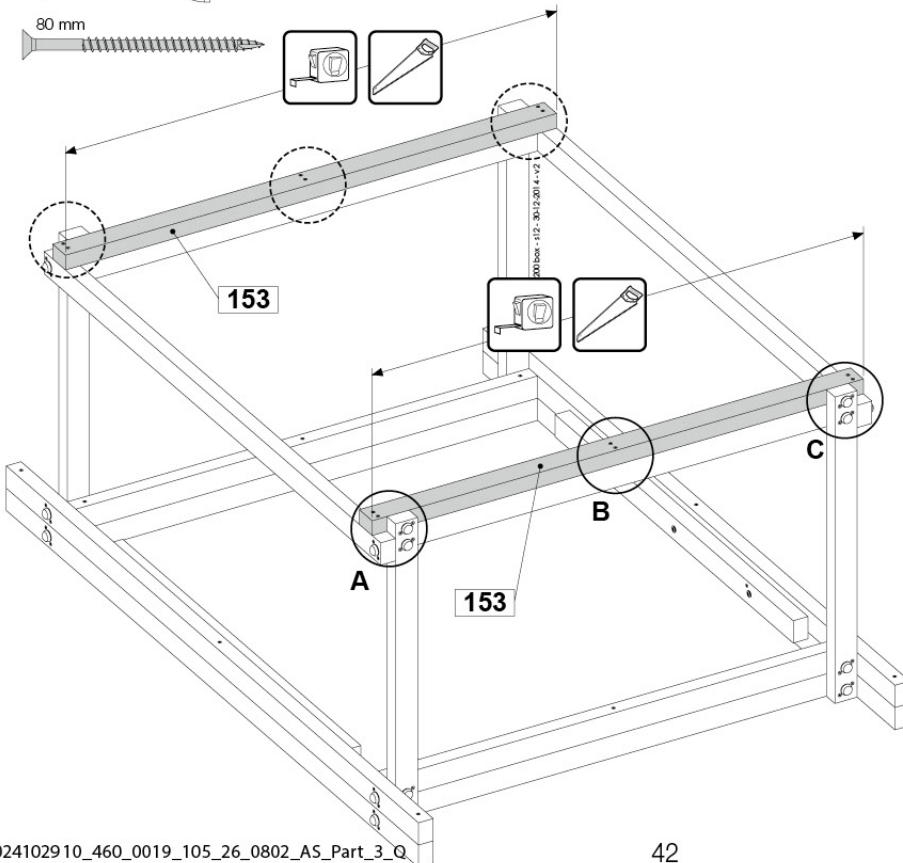
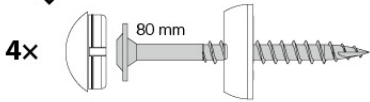
6j



# 6k

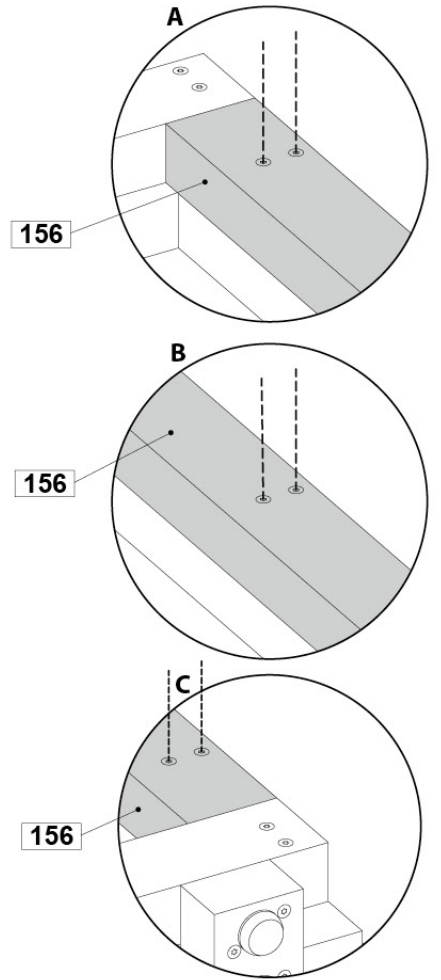
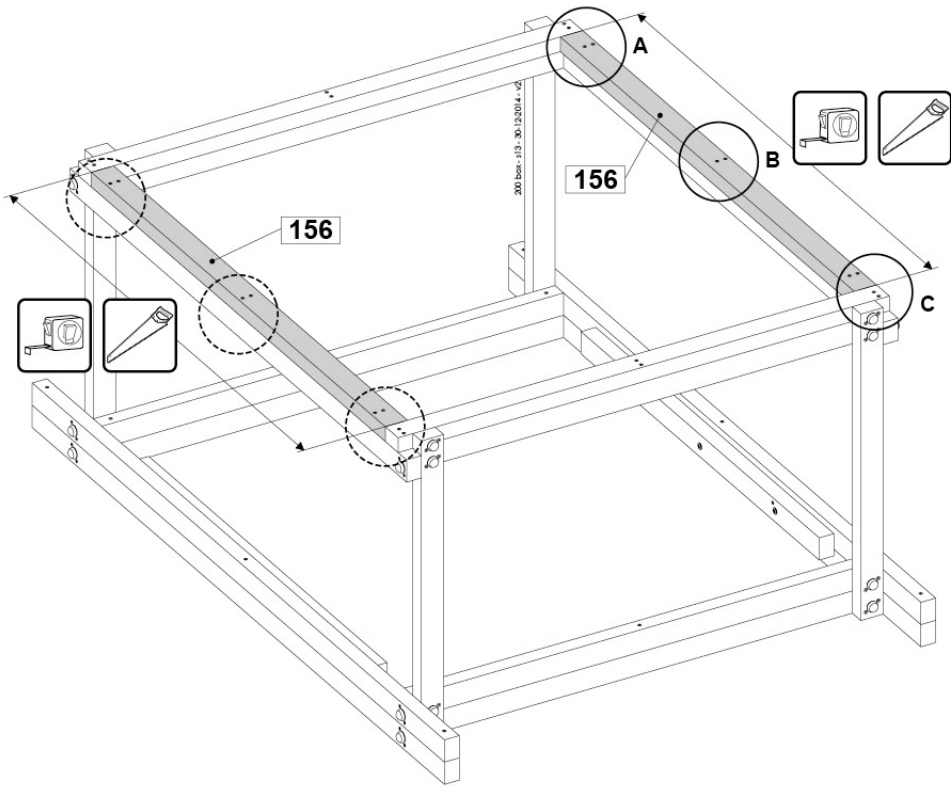


# 6L



6m

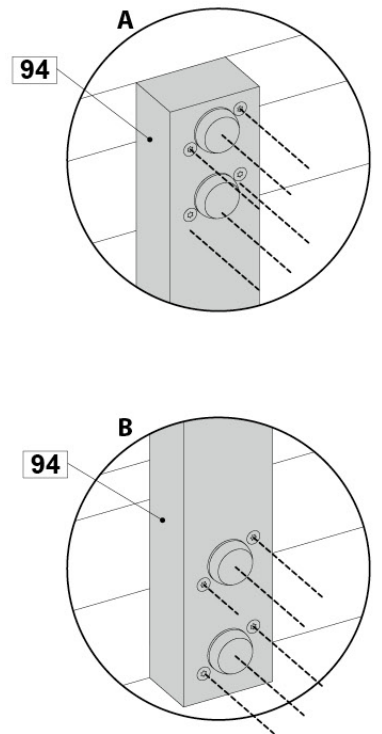
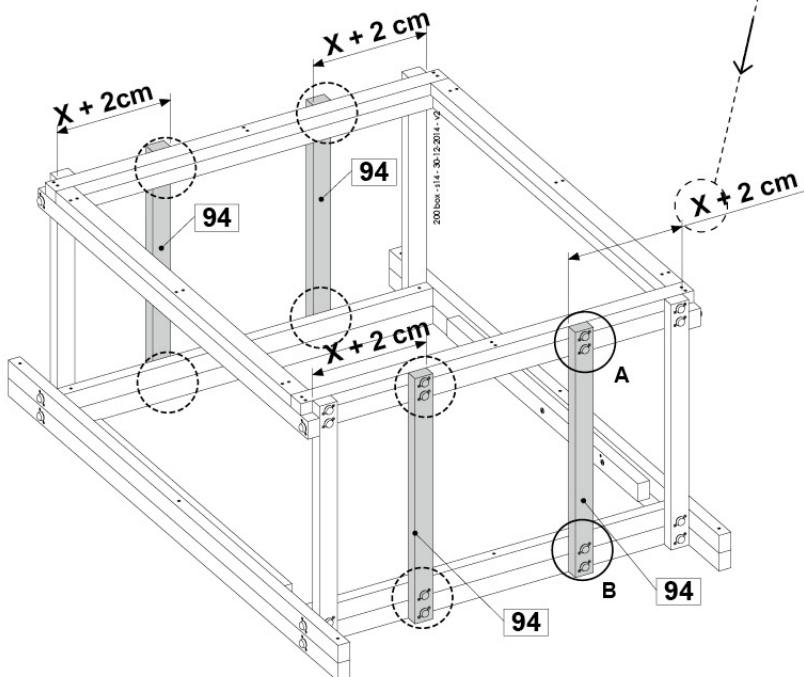
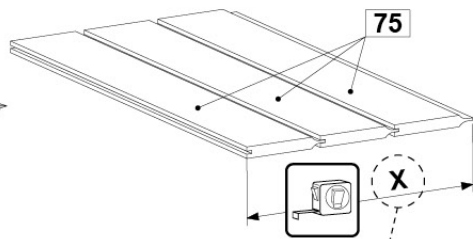
12x 80 mm



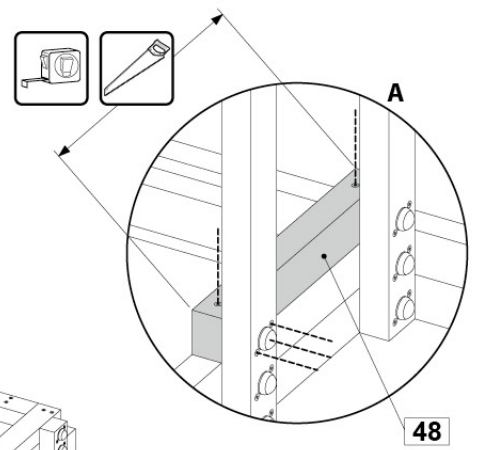
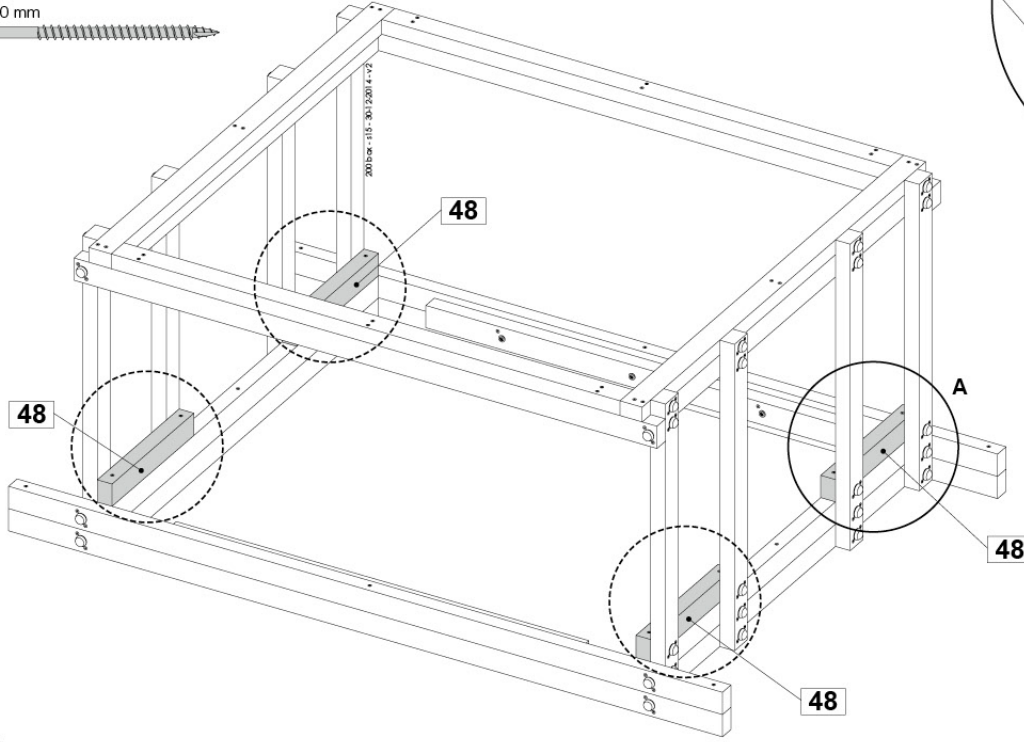
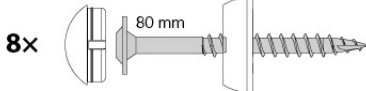
6n

16x 80 mm

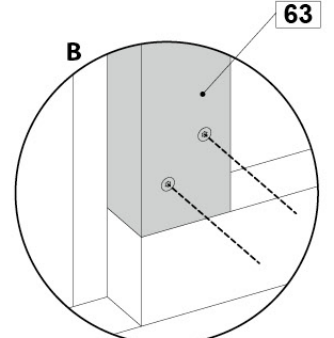
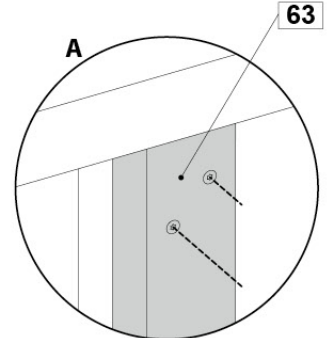
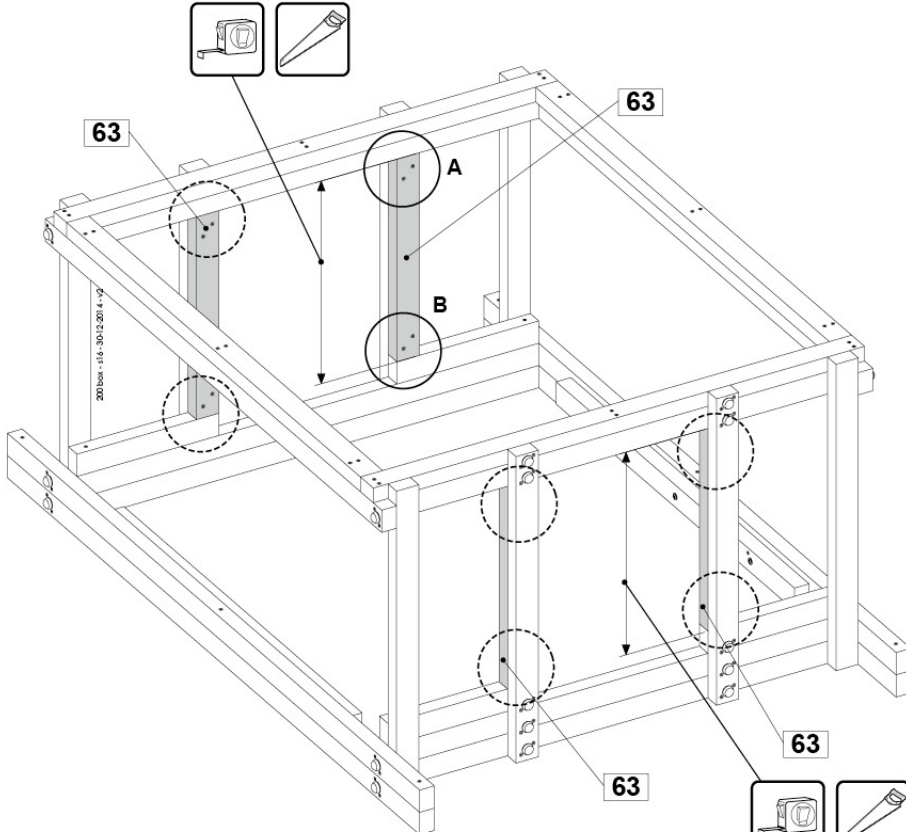
32x 80 mm



# 6o

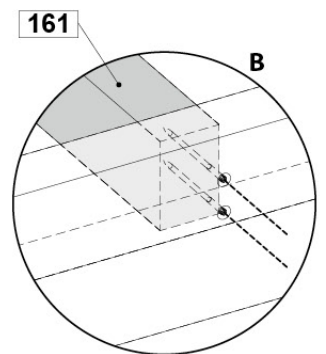
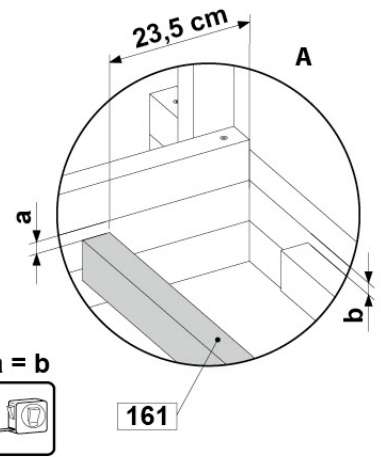
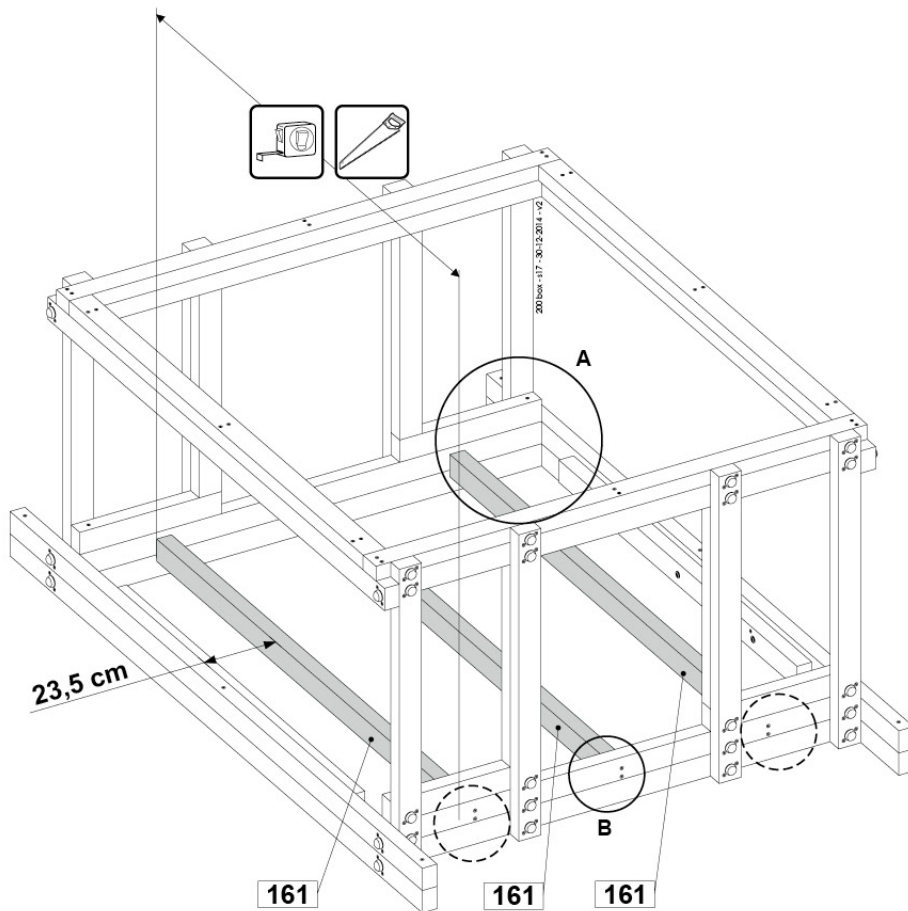


# 6p

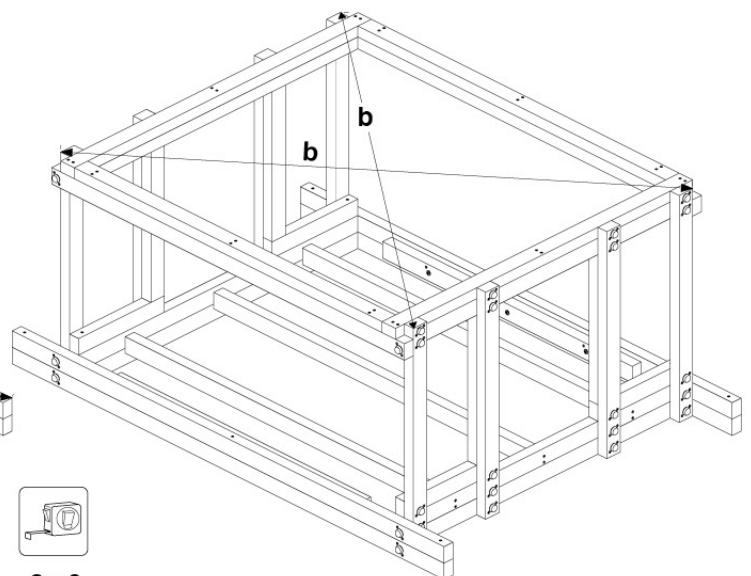
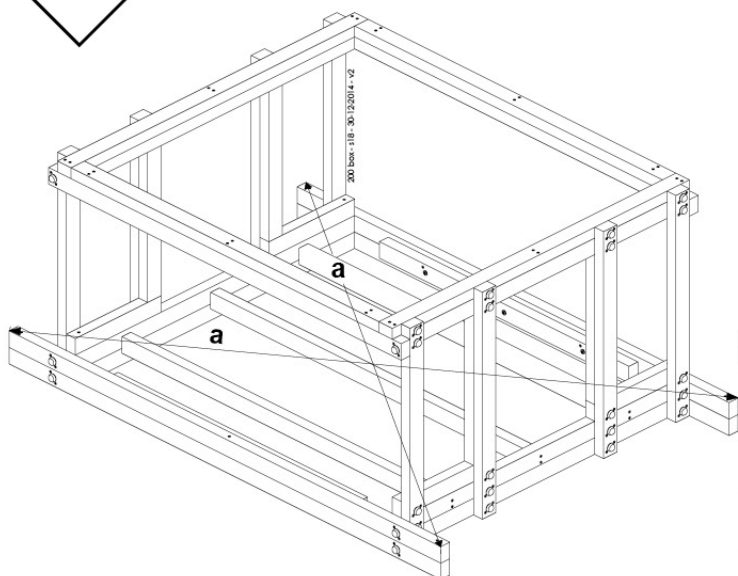


# 6q

12x 80 mm 

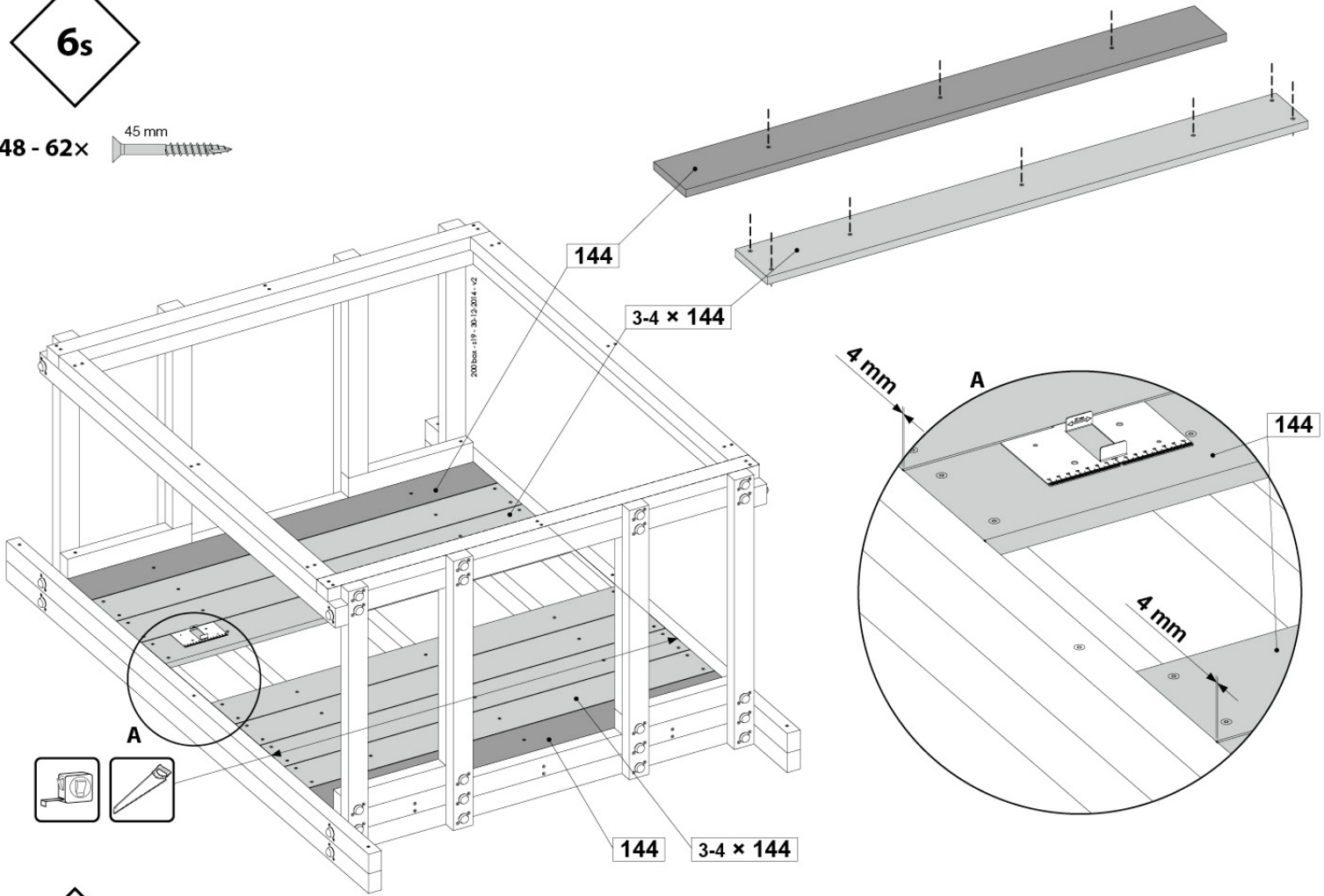


# 6r

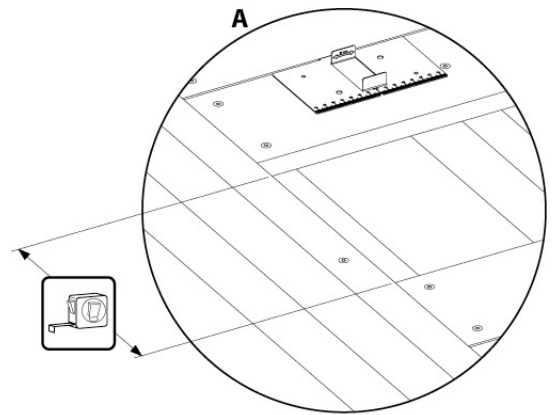
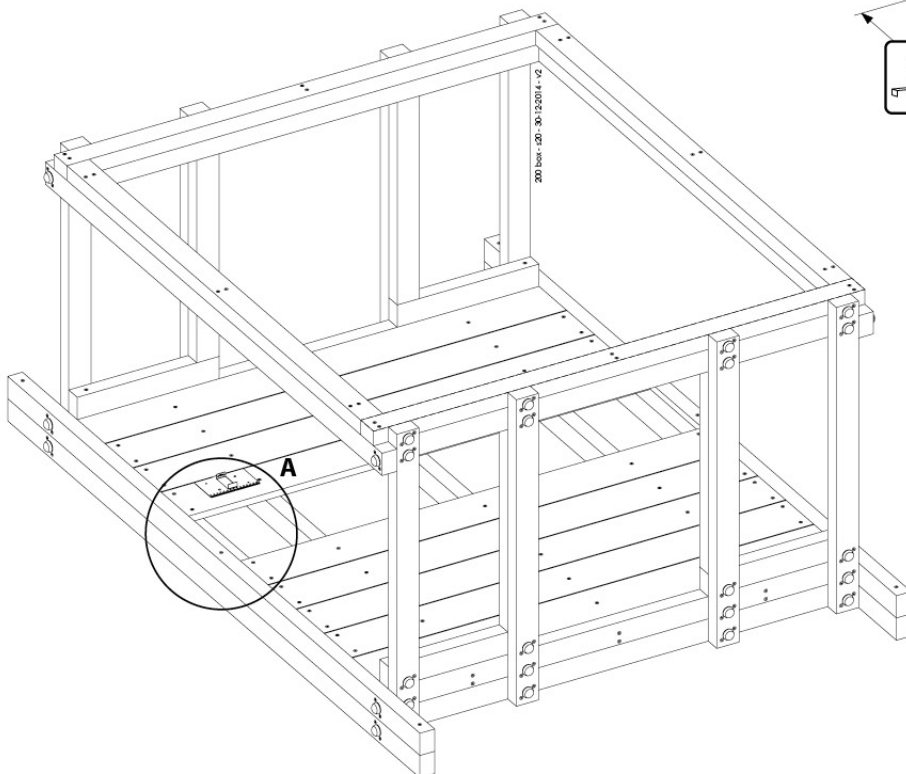


**6s**

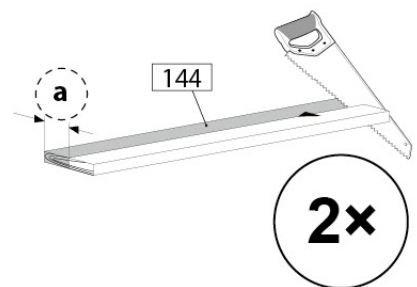
48 - 62x 45 mm



**6t**

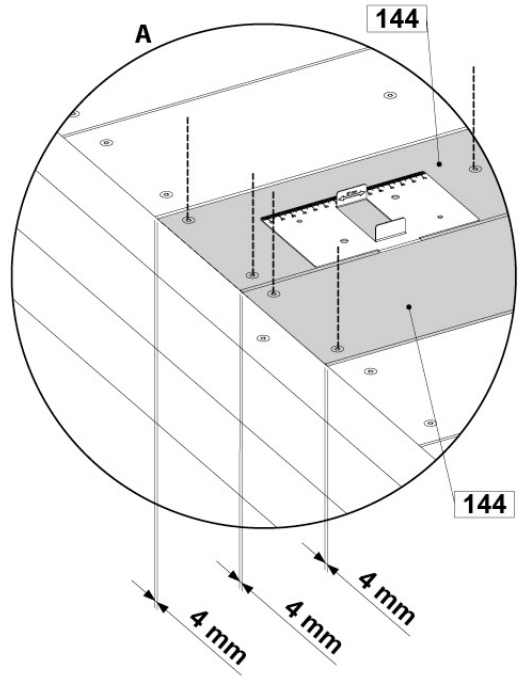
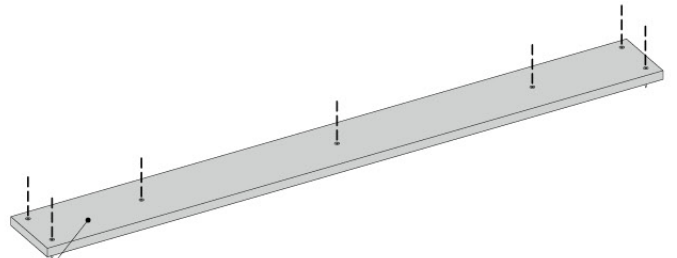
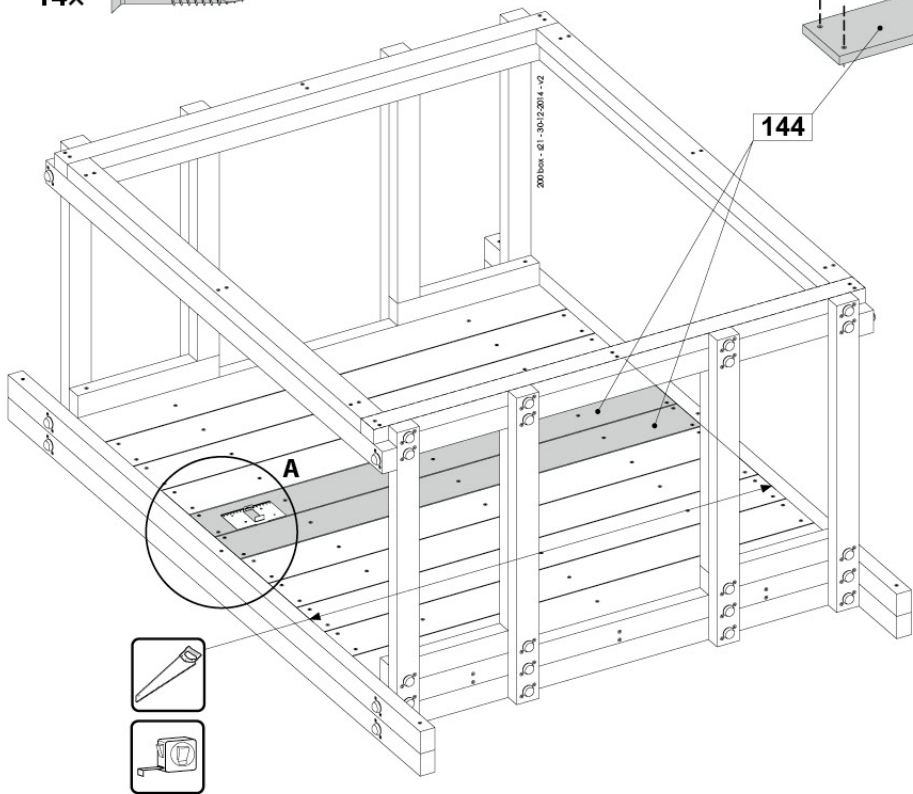


- 1,2 cm  
 $\frac{\quad}{2} = \textcircled{a}$



# 6u

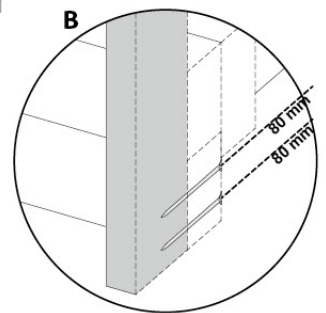
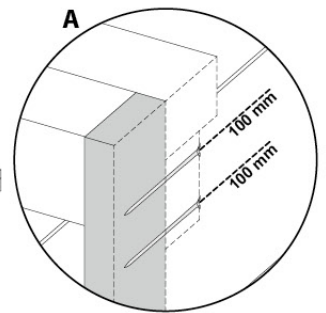
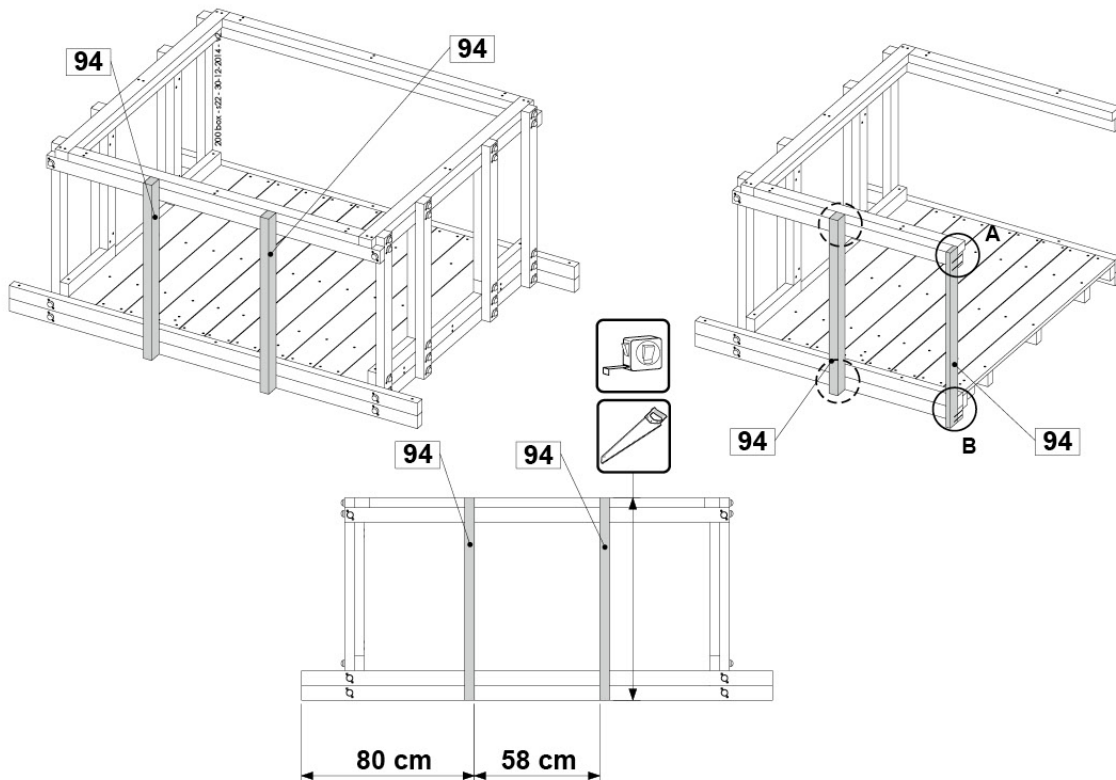
14x 45 mm



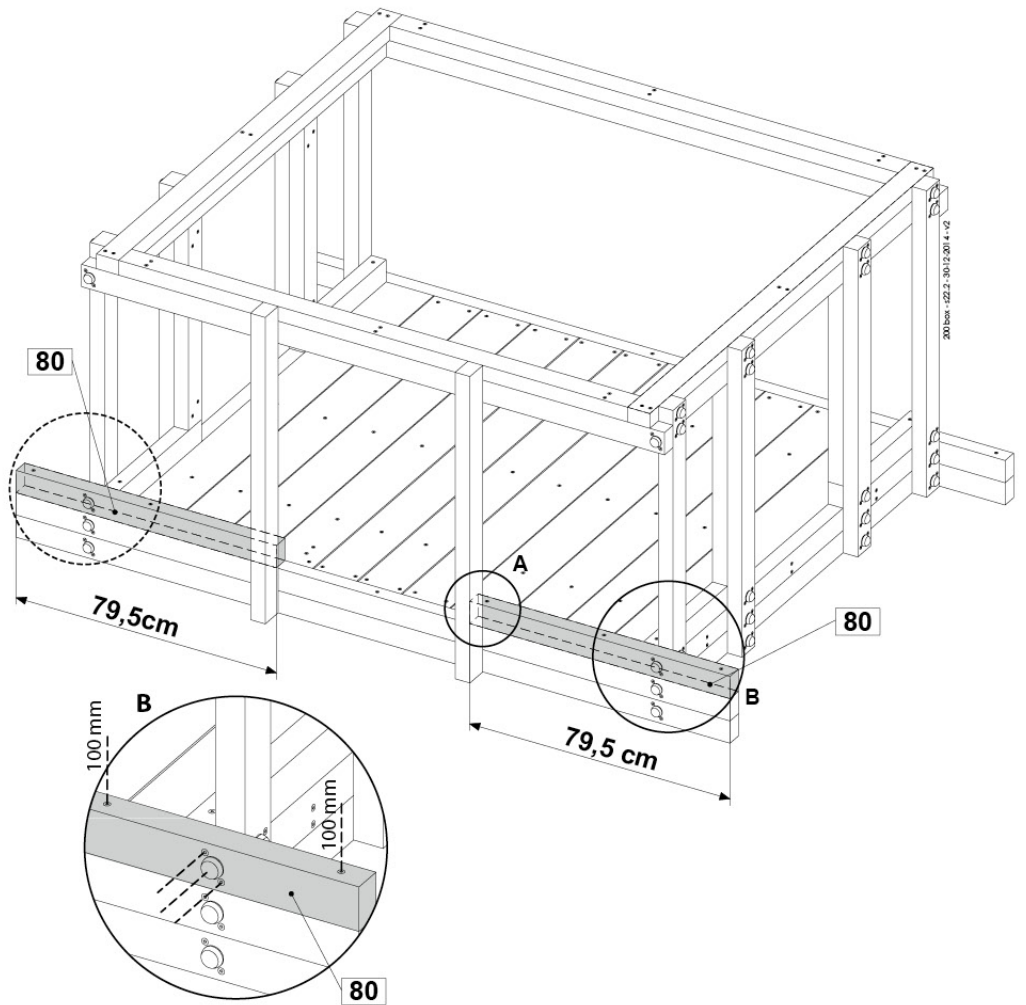
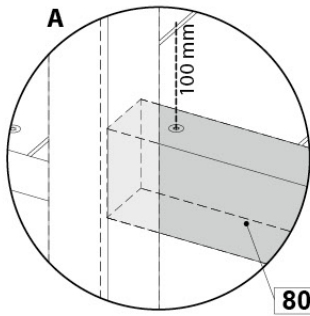
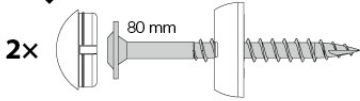
# 6v

4x 100 mm

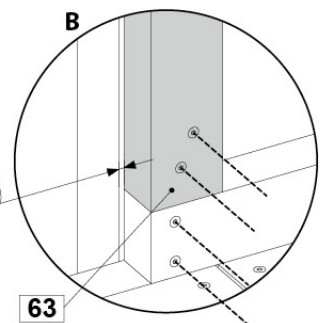
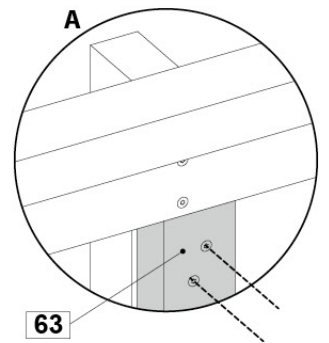
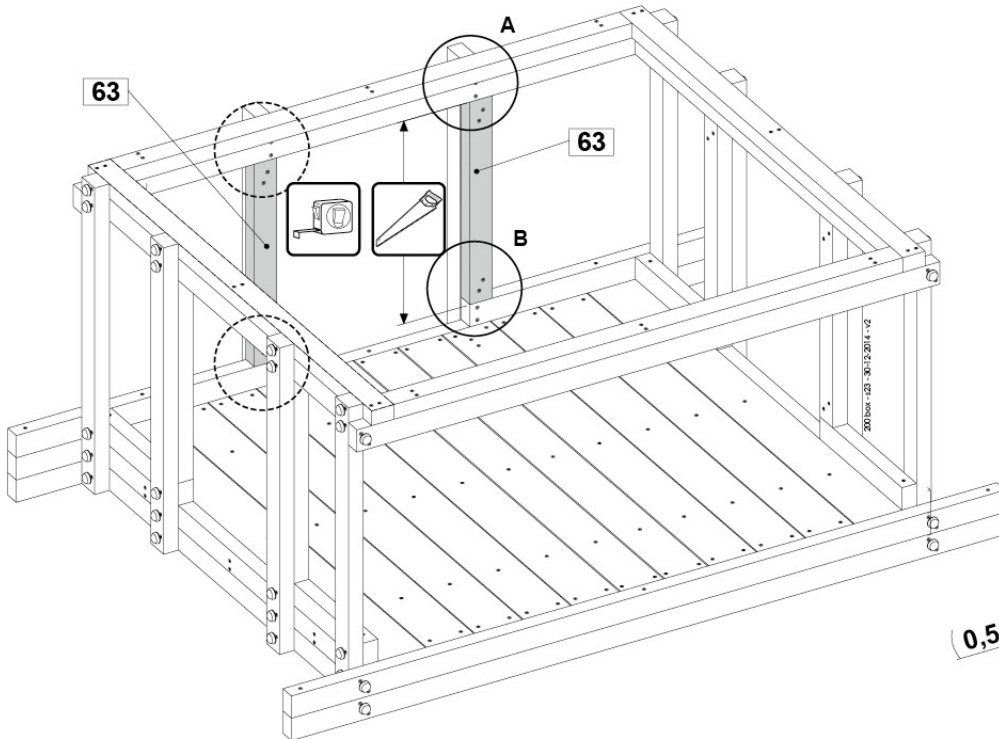
4x 80 mm



**6w**



**6x**

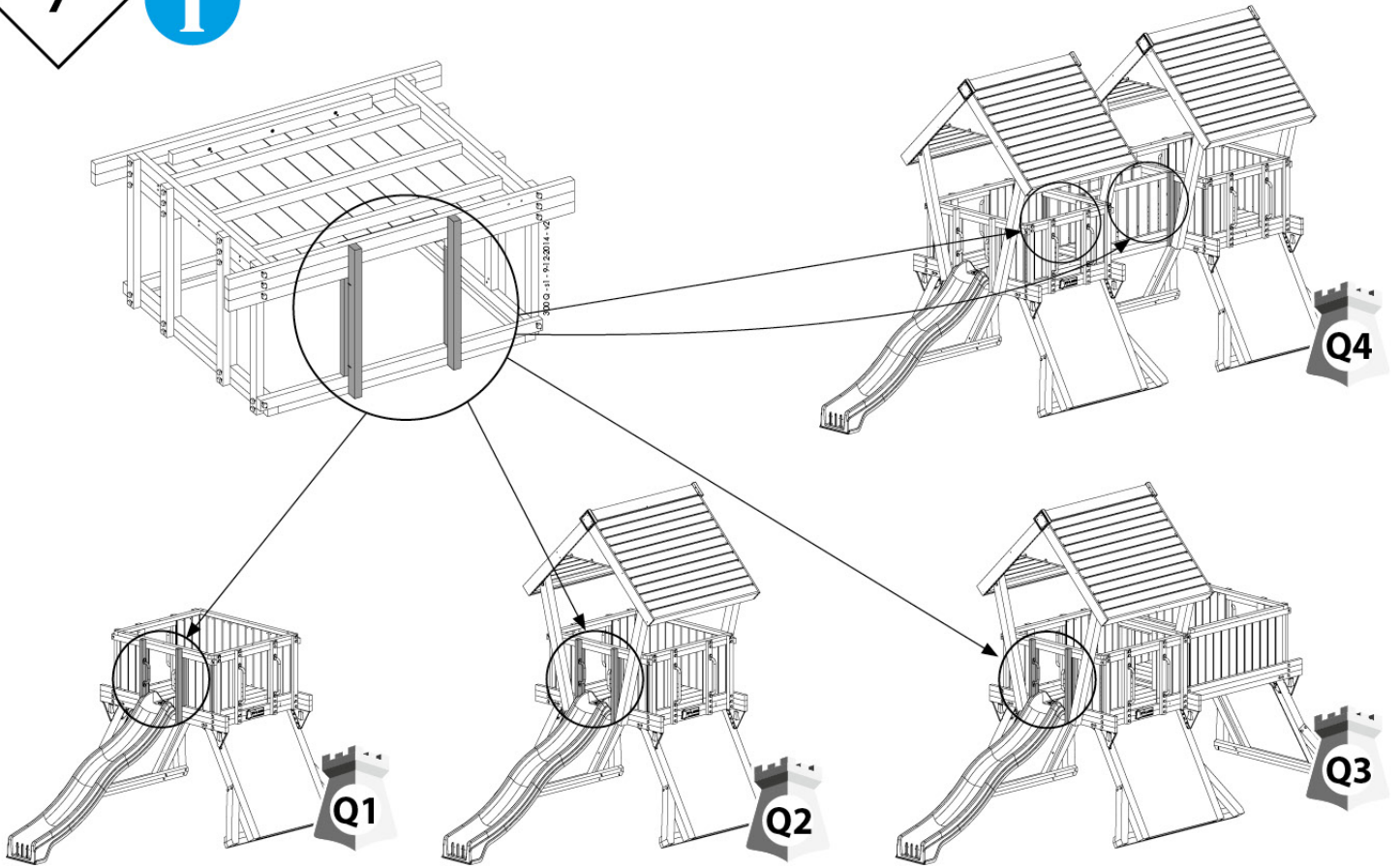




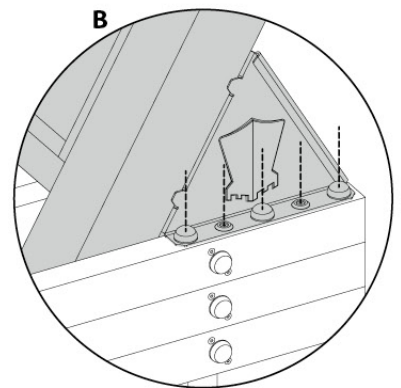
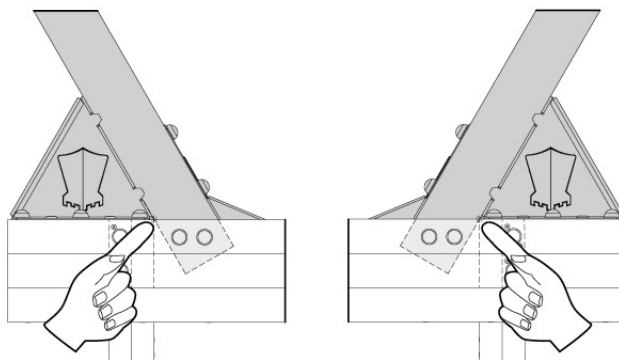
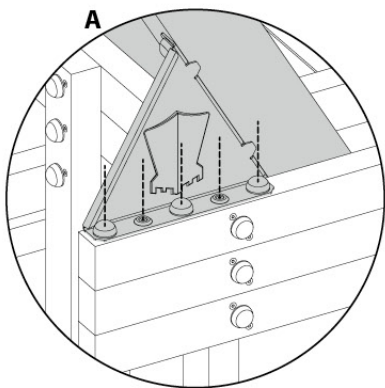
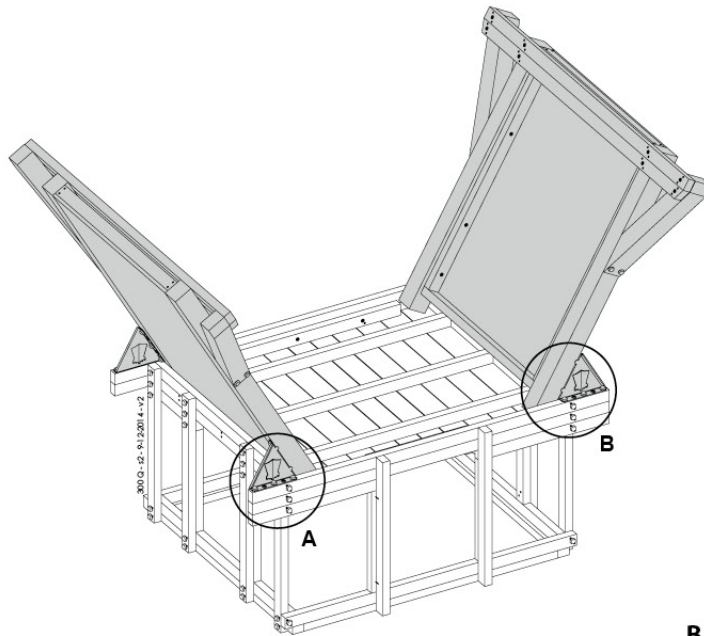
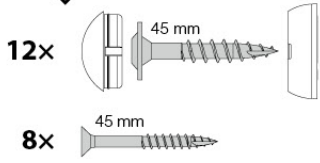
7



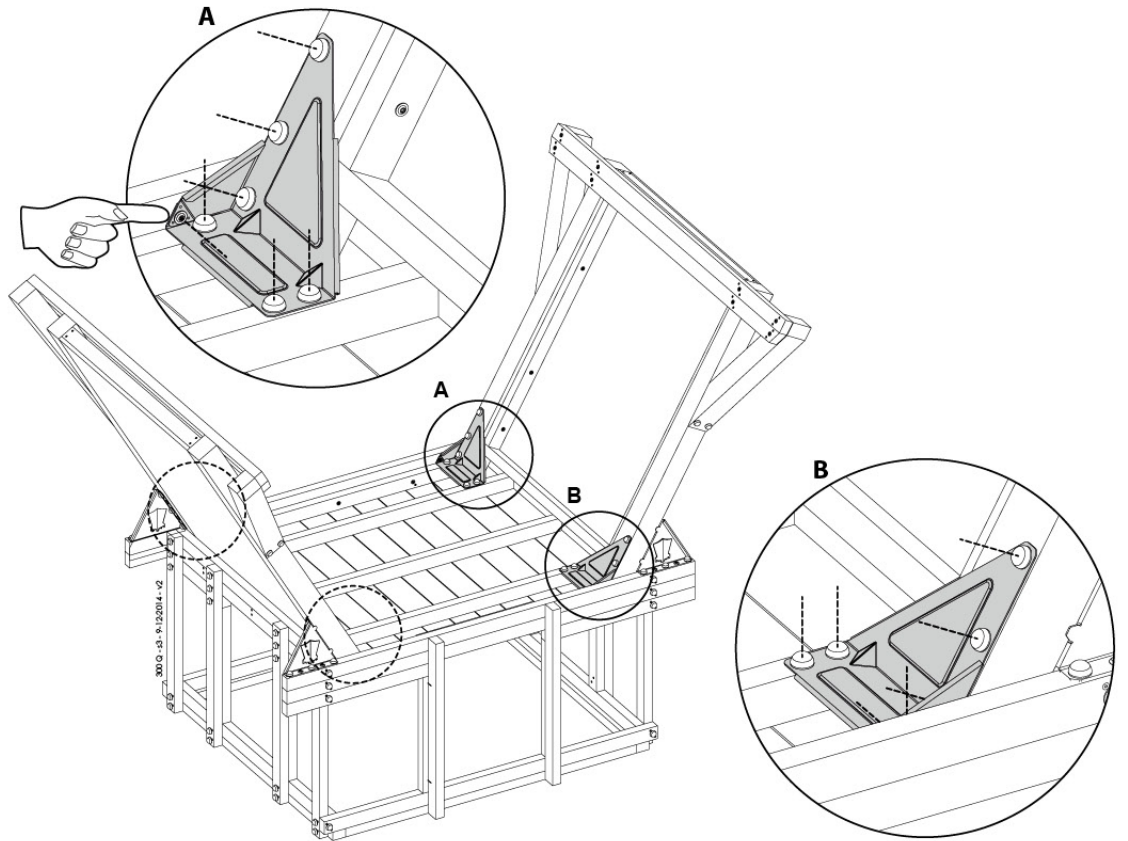
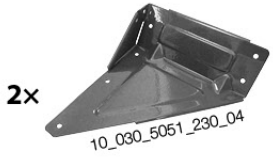
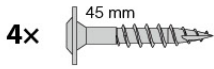
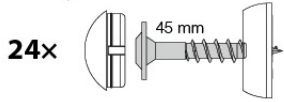
180°



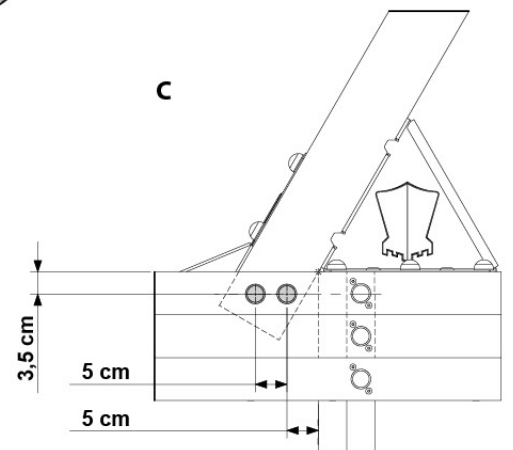
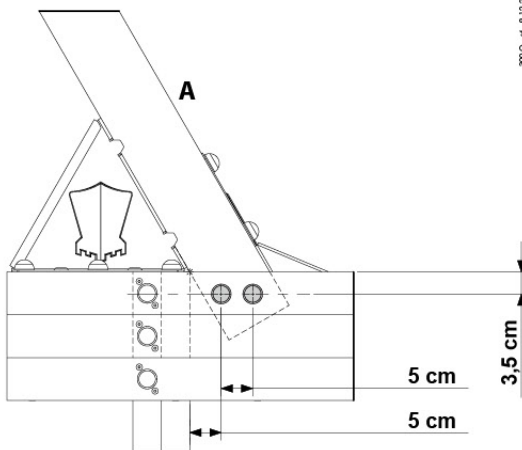
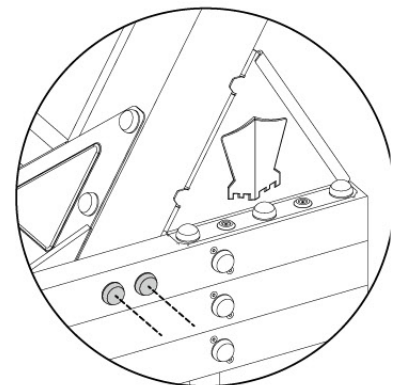
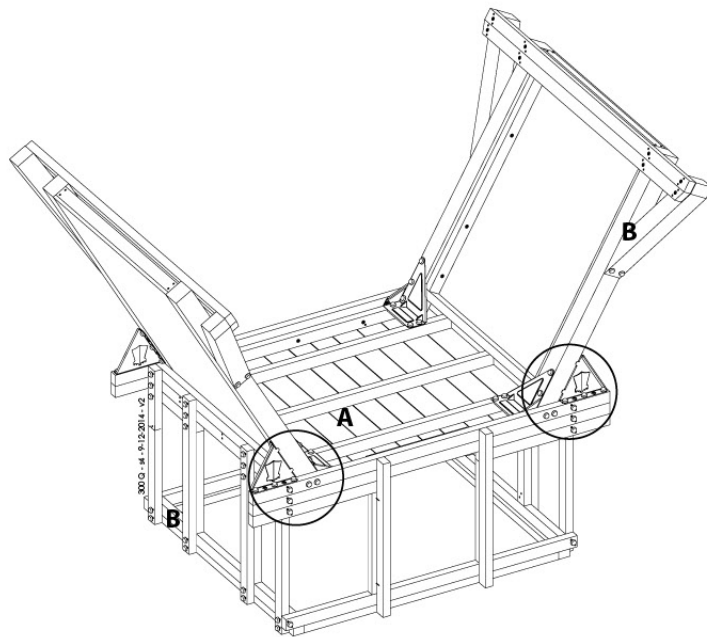
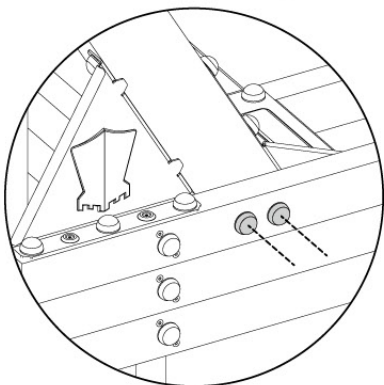
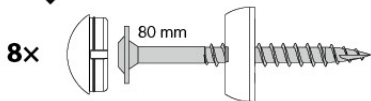
7a



**7b**



**7c**



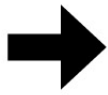
**7d**



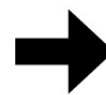
**6a** — **7c**

**2x**

7e



8



9

8a



36 - 44x



4-5 x 75

4-5 x 75

A

B

C

A

75

B

75

C

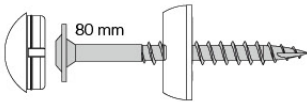
75

min. 0 cm  
max. 5 cm

8b



2x



3x



4x



218

218

A

100 mm

B

100 mm

A

218

B

218

C

218

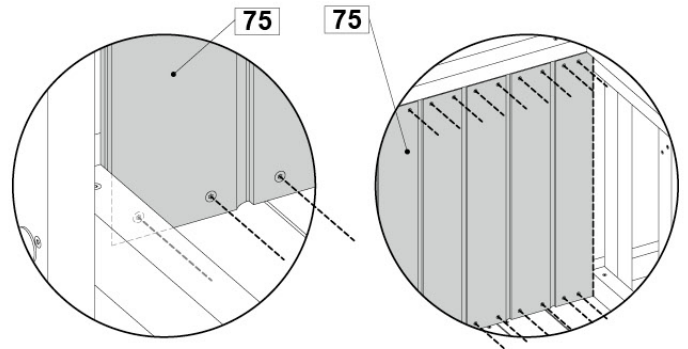
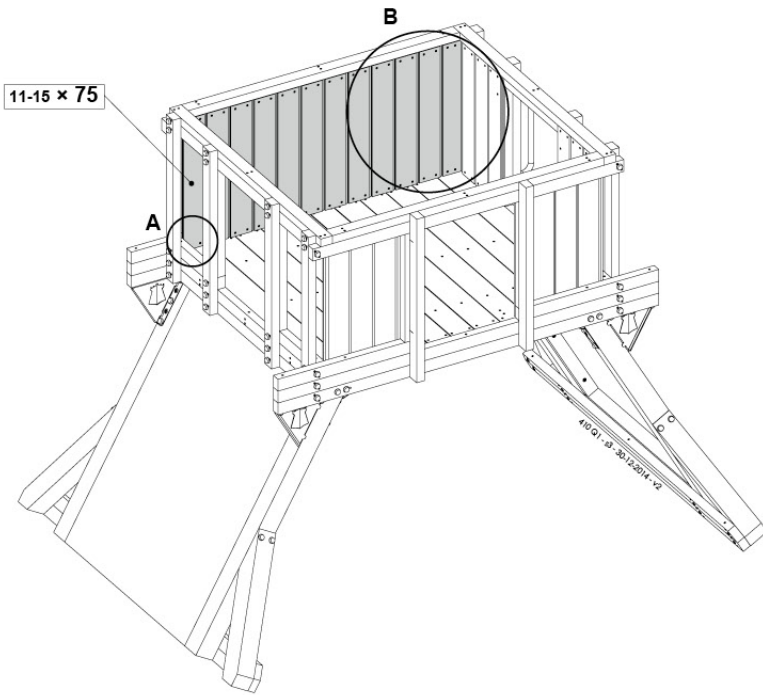
100 mm

8c



44 - 60x

45 mm

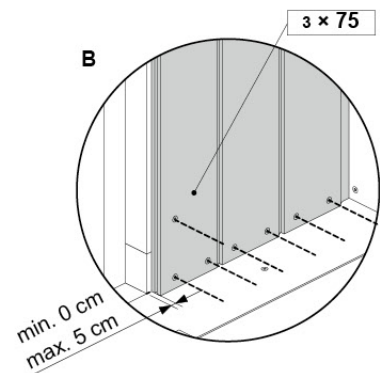
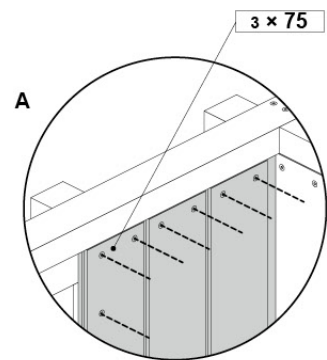
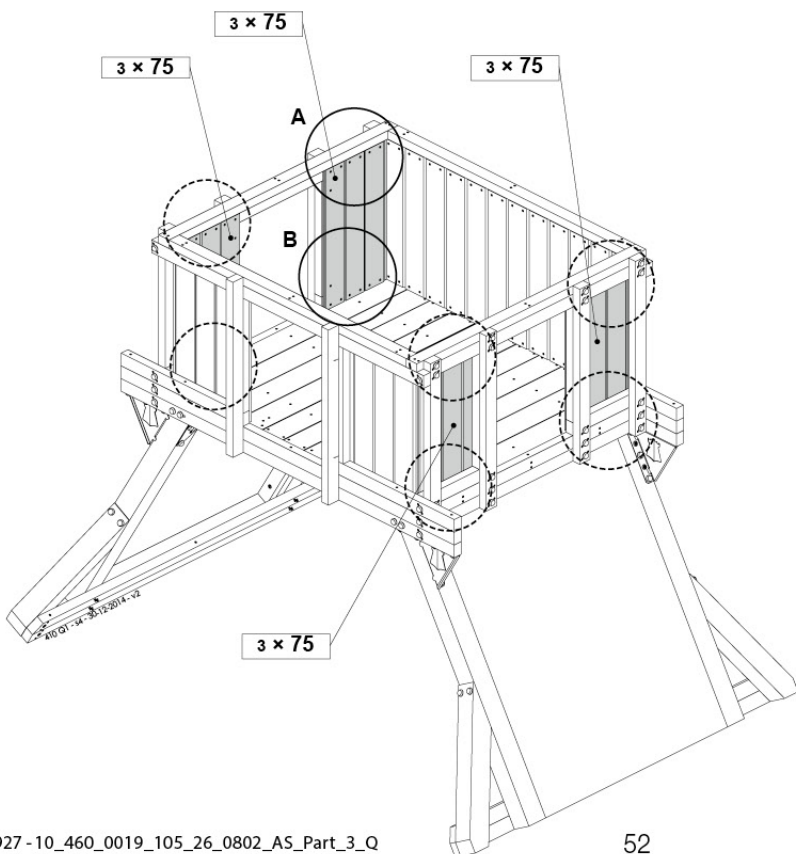


8d



56x

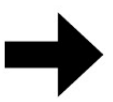
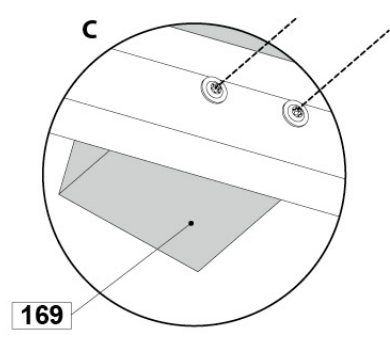
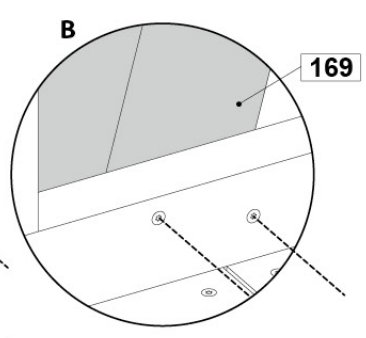
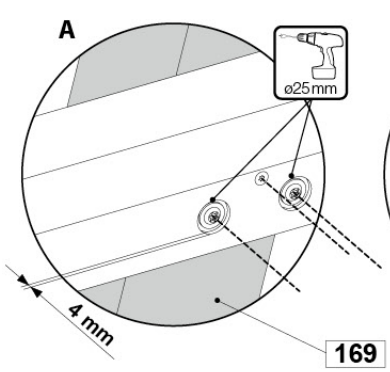
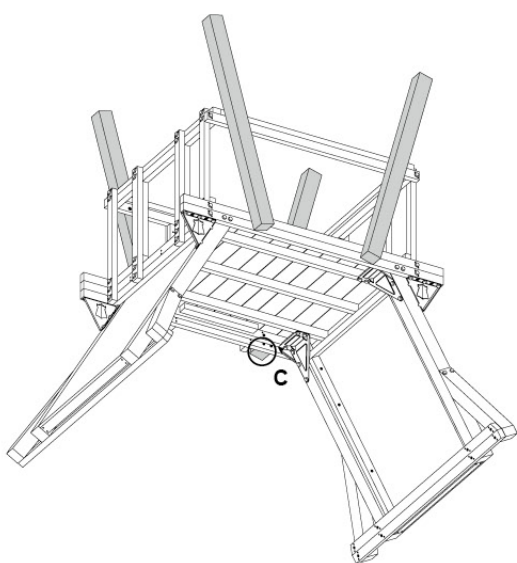
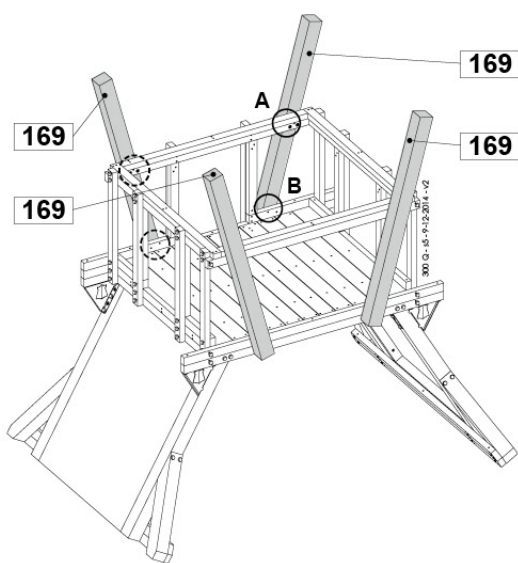
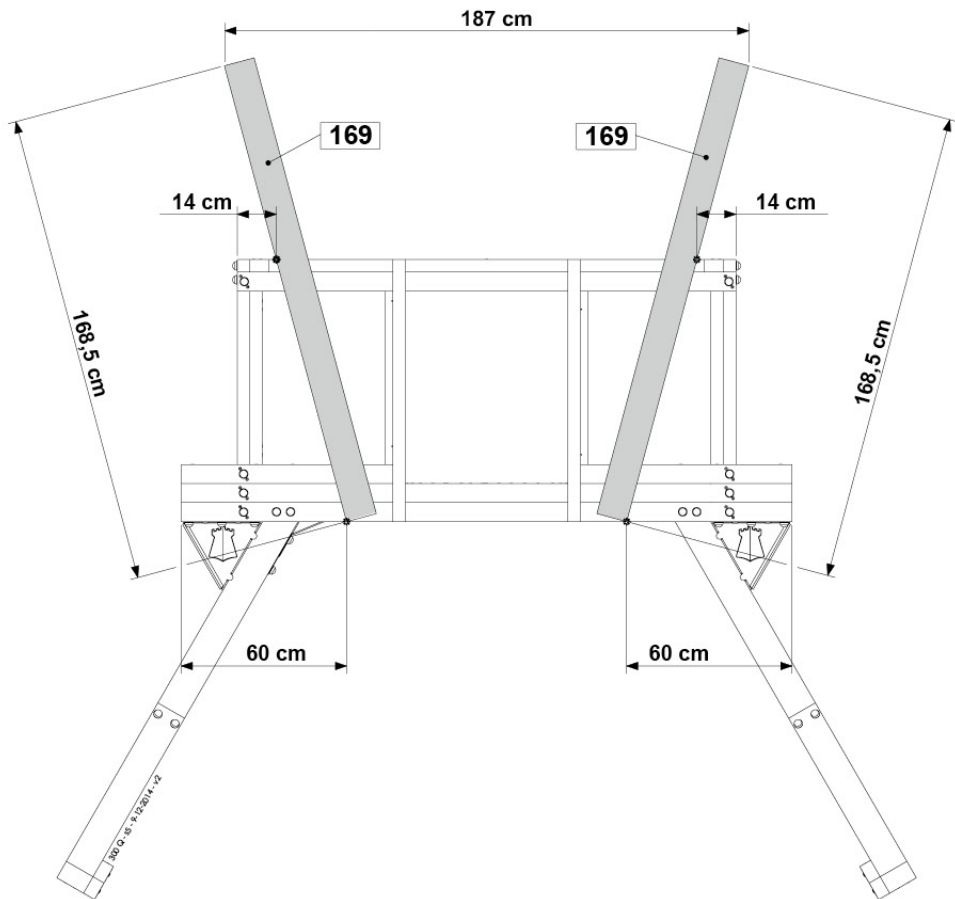
45 mm



**9a**

16x 80 mm

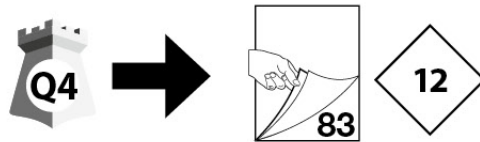
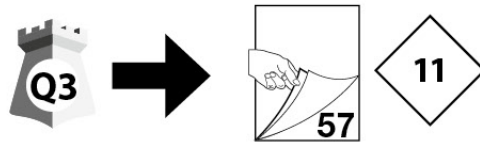
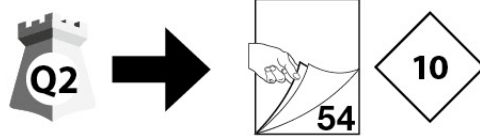
8x 80 mm



**9a**

**2x**

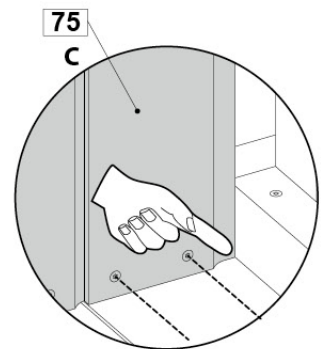
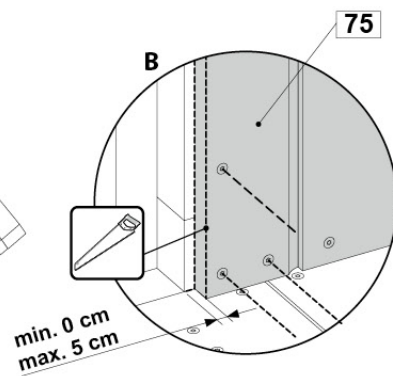
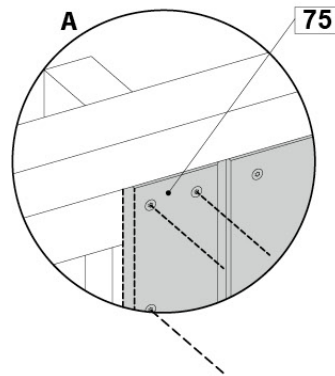
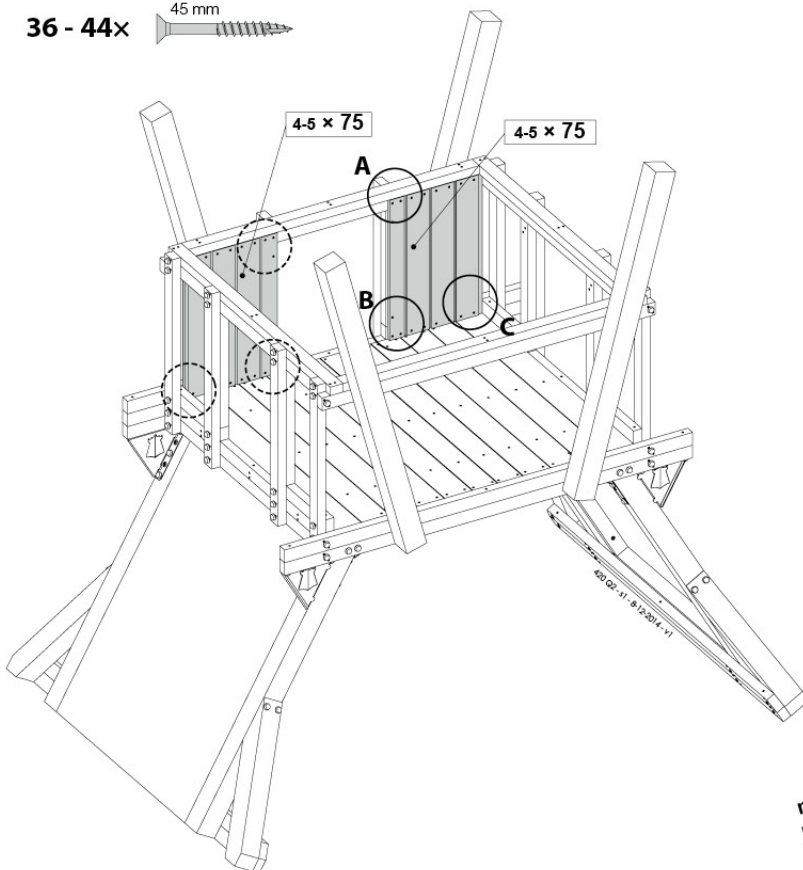
9b



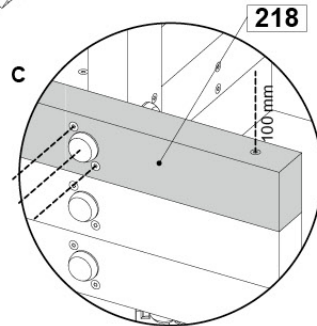
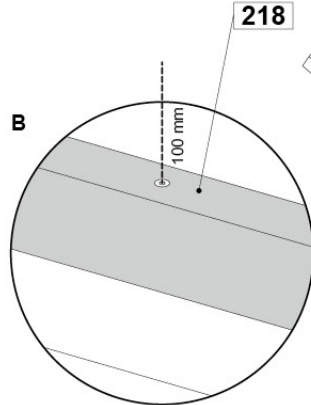
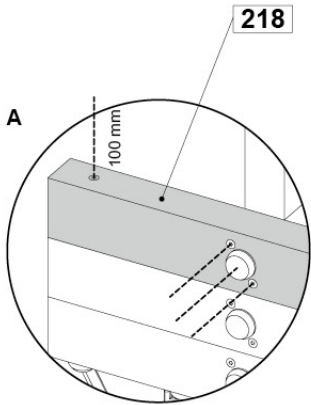
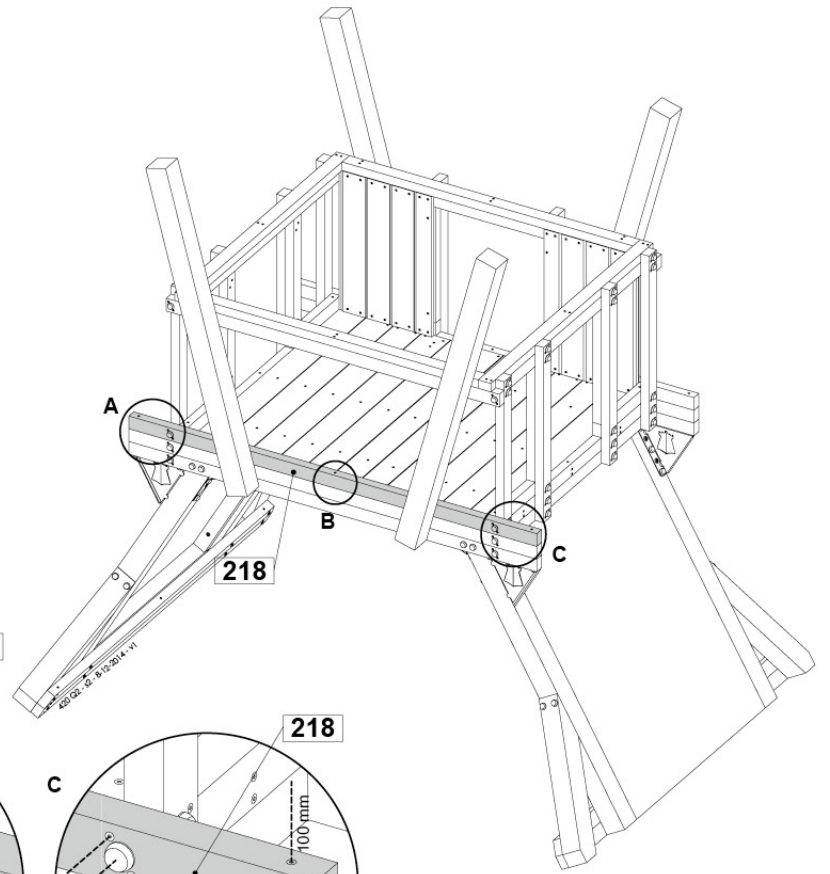
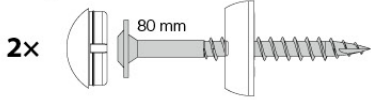
10a



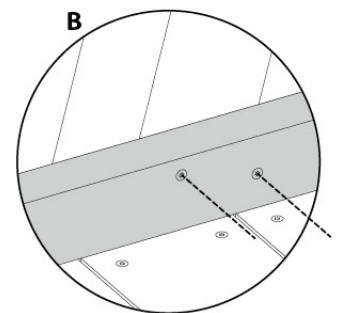
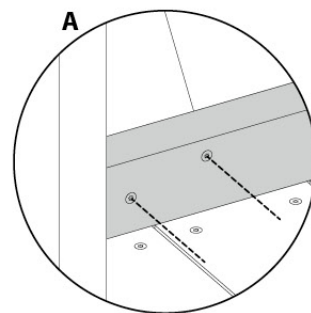
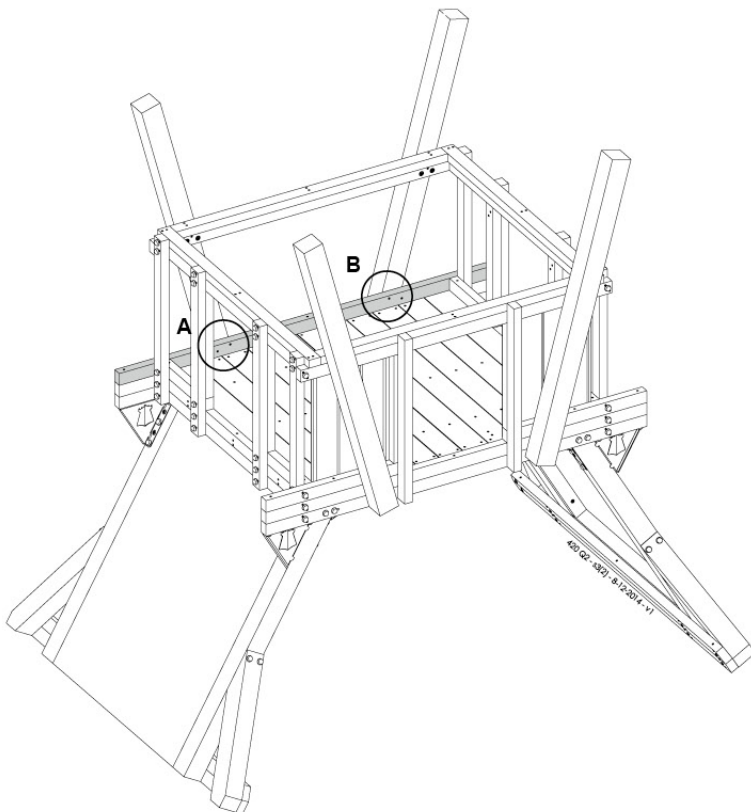
36 - 44x 45 mm



**10b**



**10c**

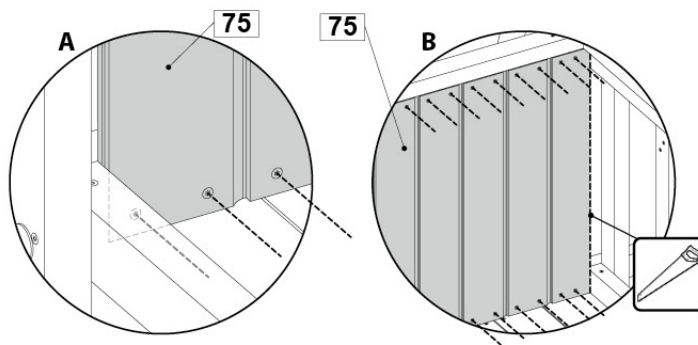
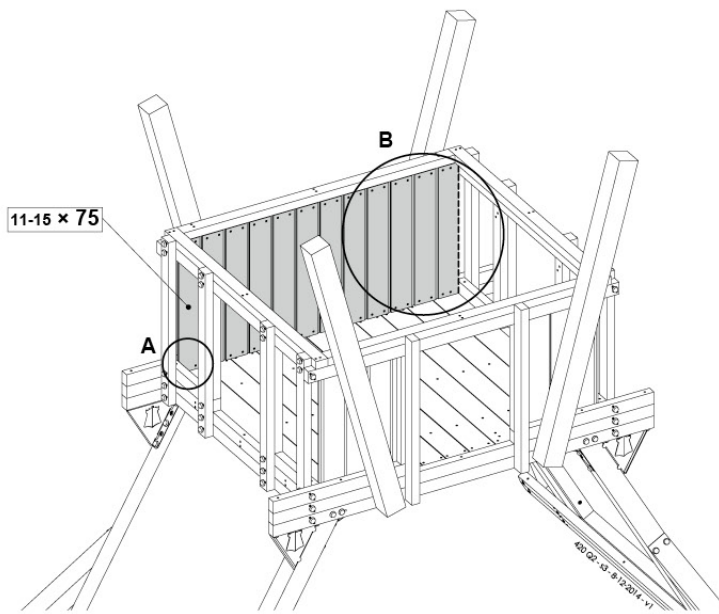


10d



44 - 60x

45 mm

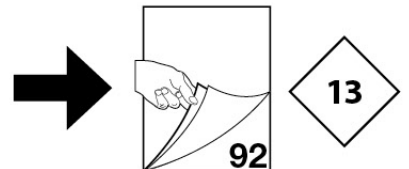
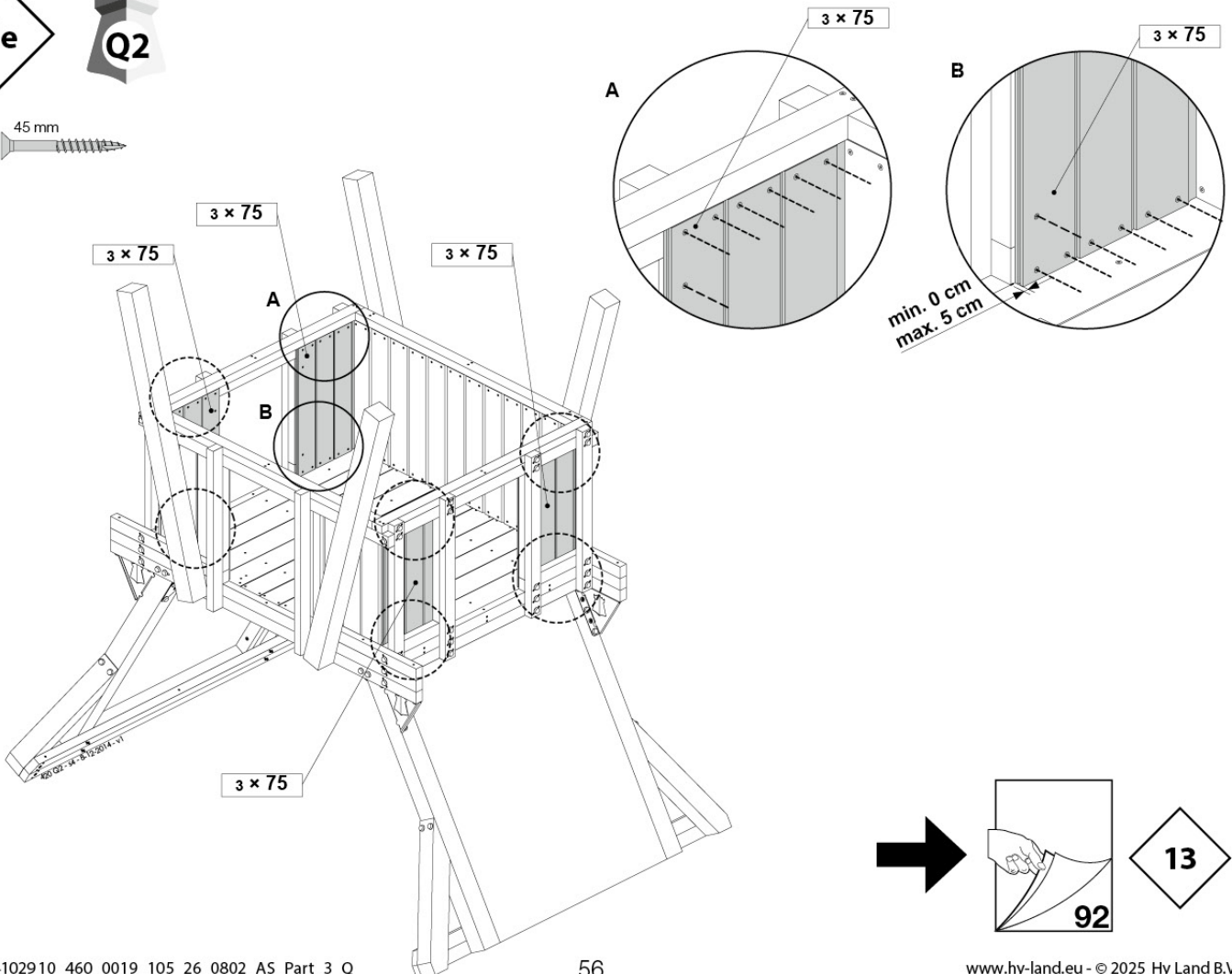


10e



56x

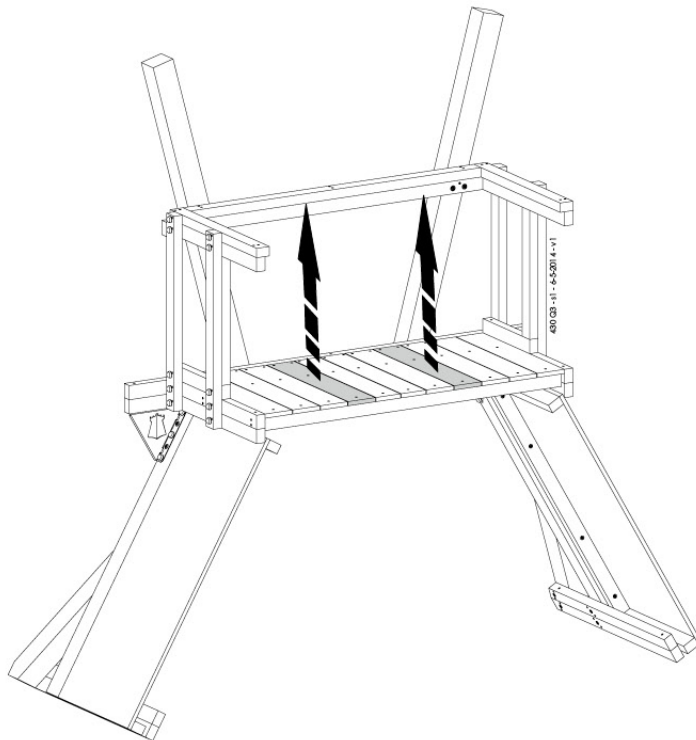
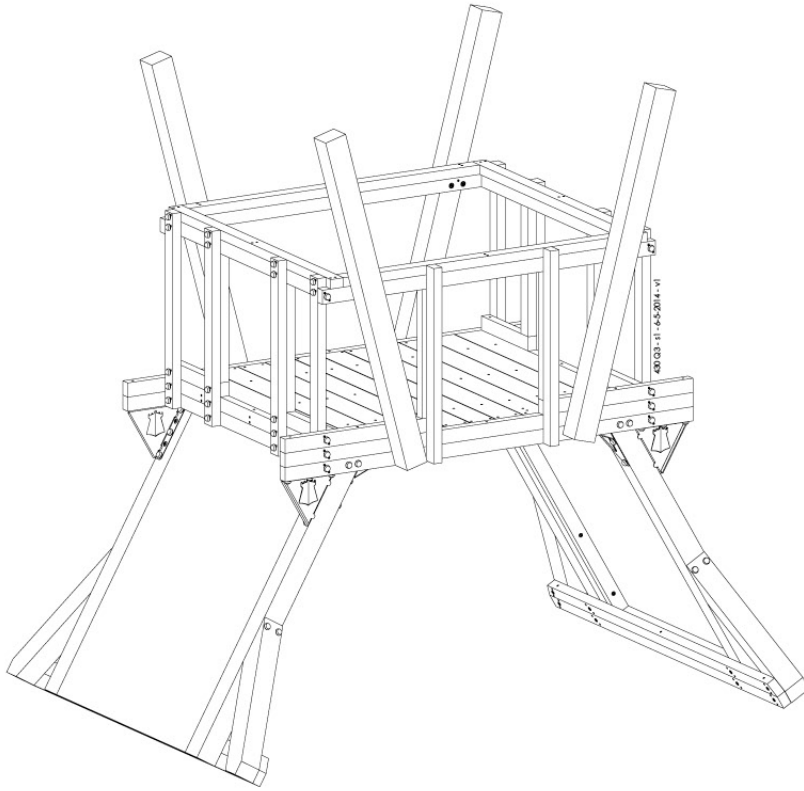
45 mm





11.1a

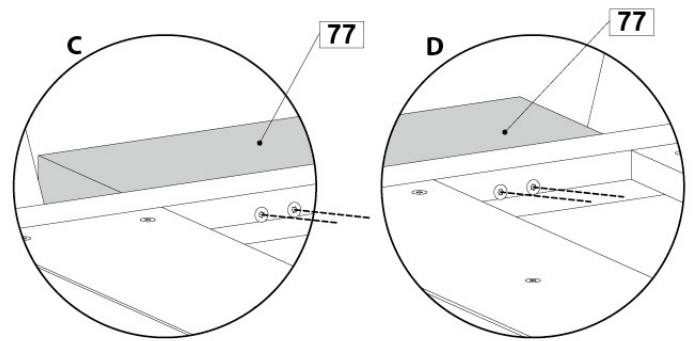
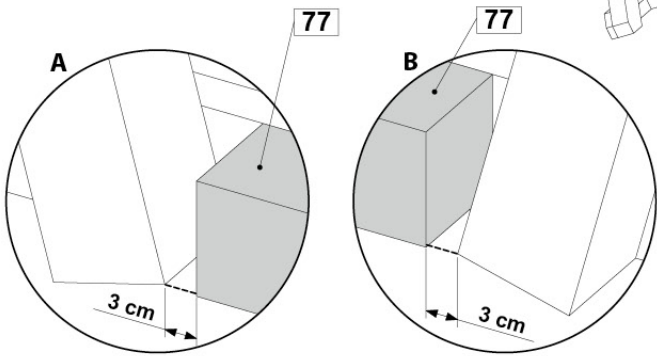
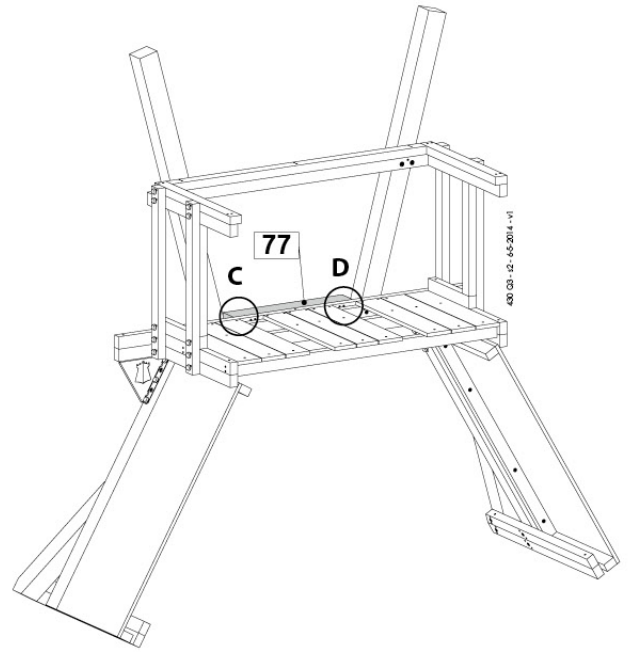
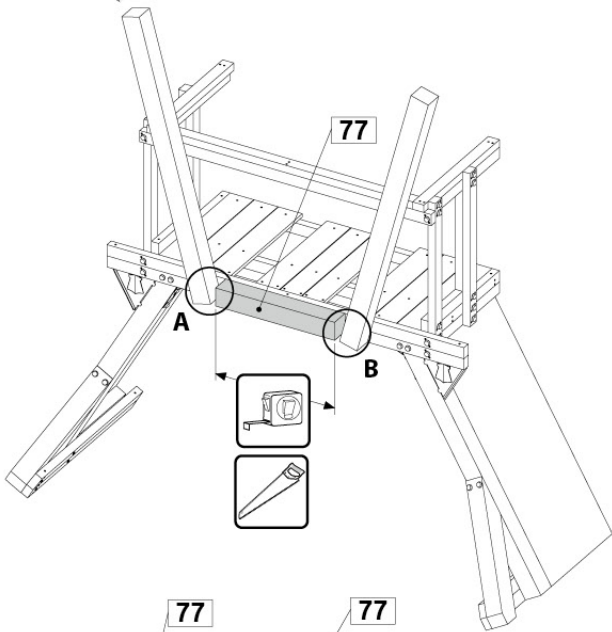
Q3



# 11.1b



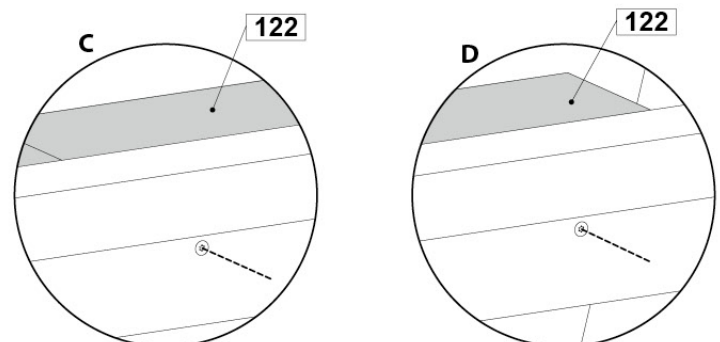
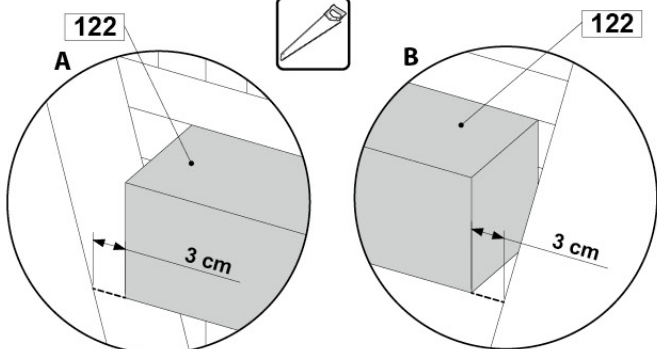
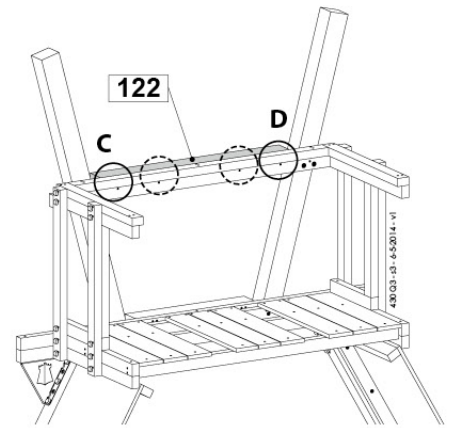
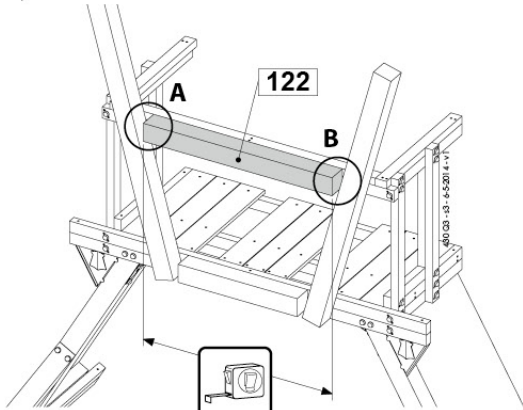
4x 80 mm



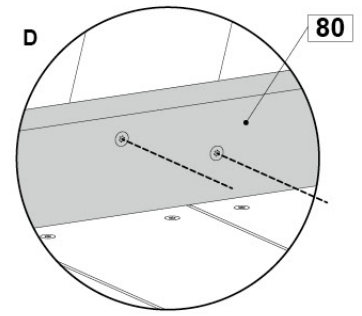
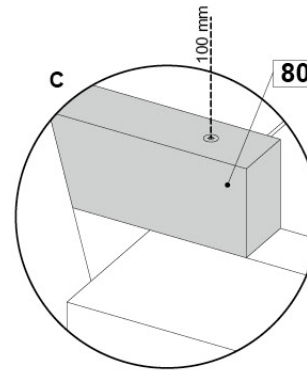
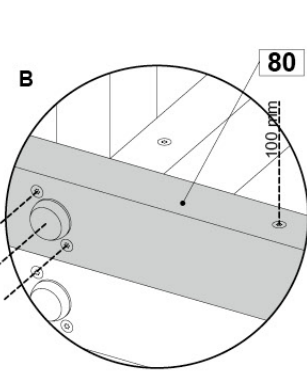
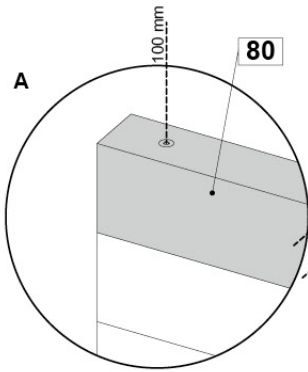
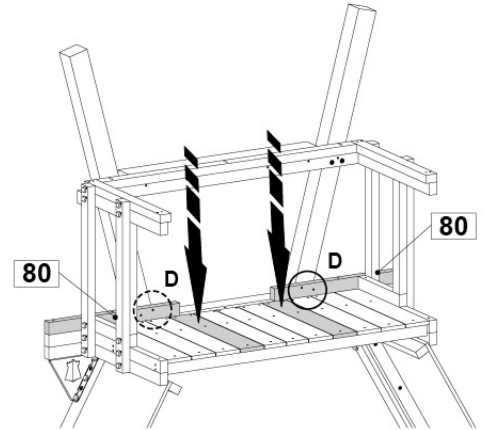
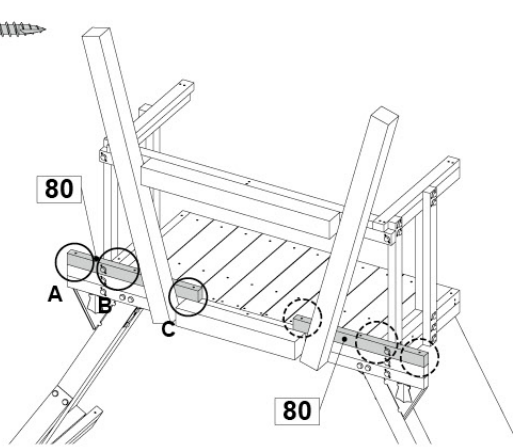
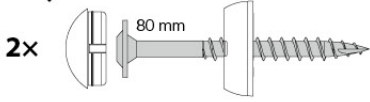
# 11.1c



4x 80 mm



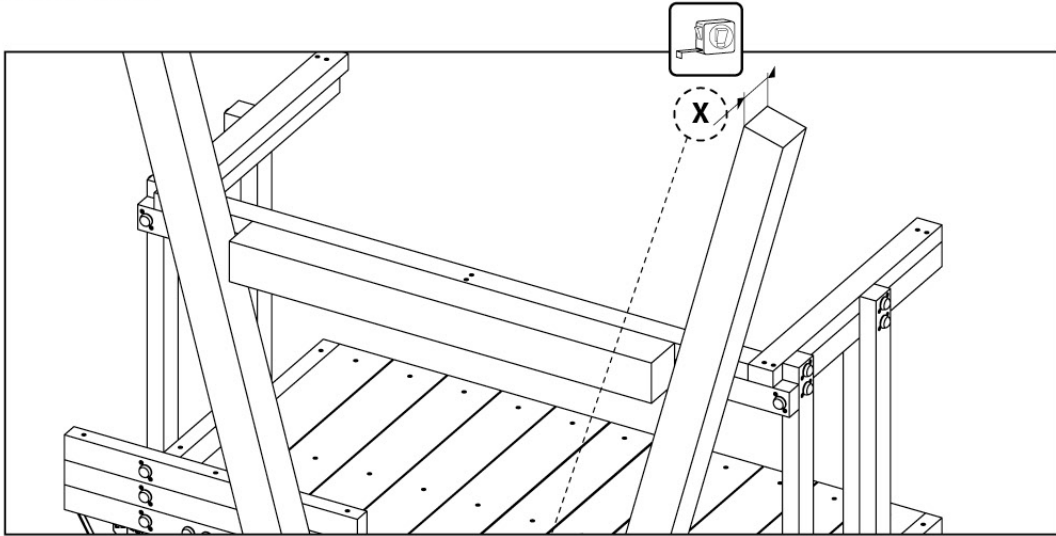
11.1d



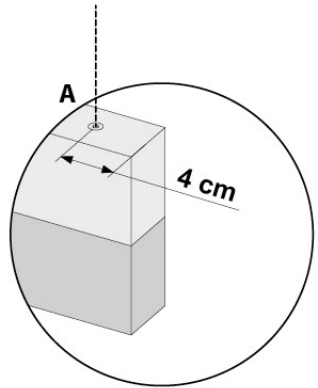
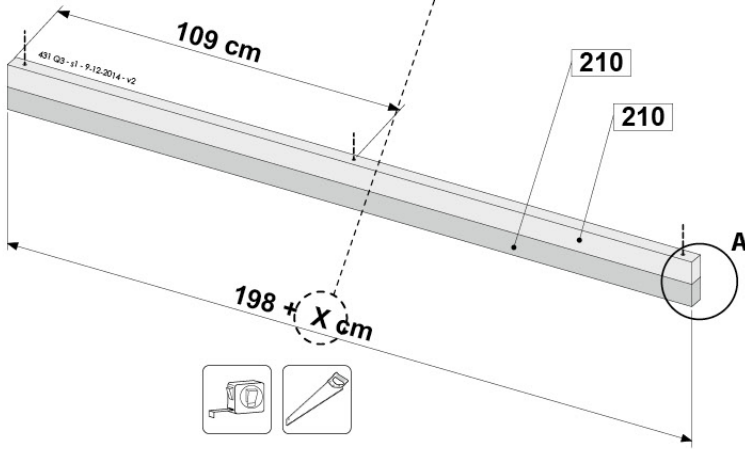
**11.2a**



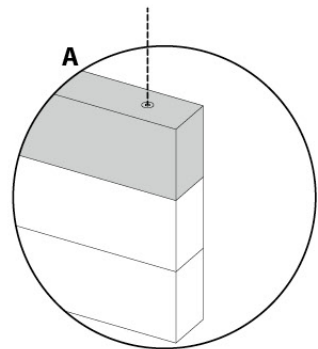
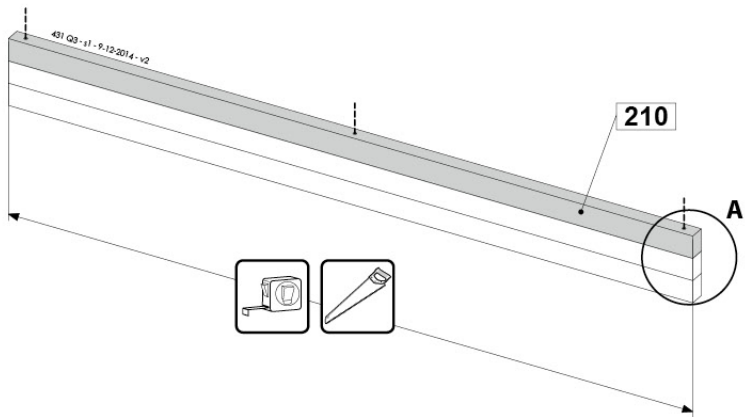
12x 100 mm



**1**



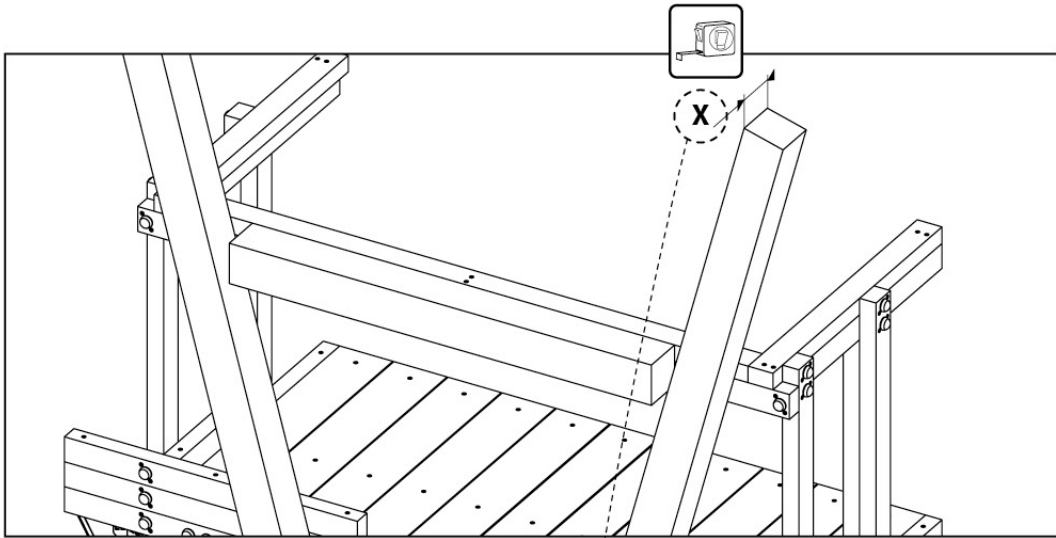
**2**



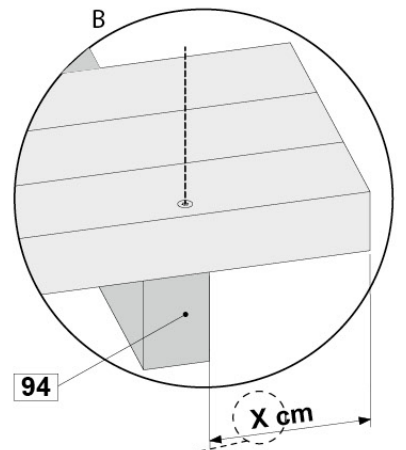
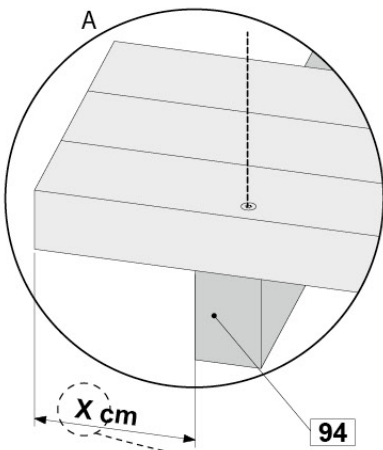
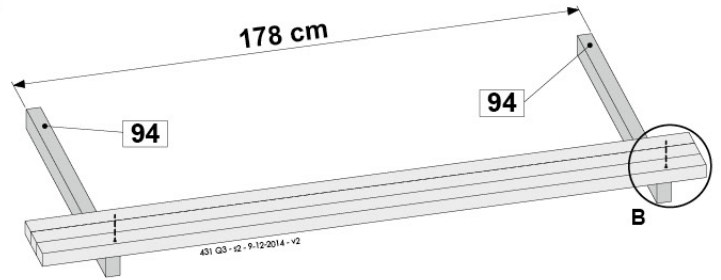
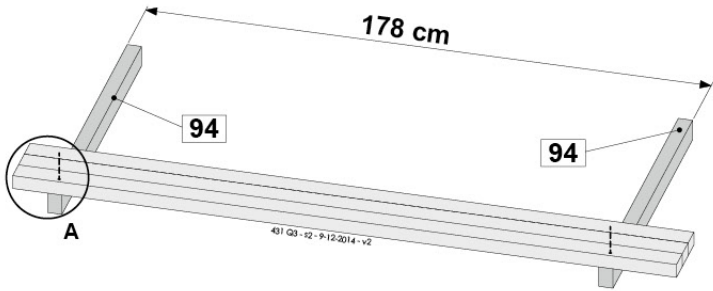
**3**



11.2b



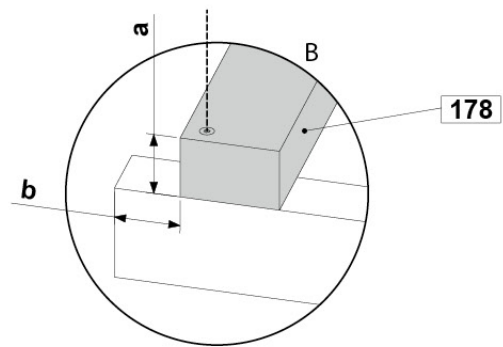
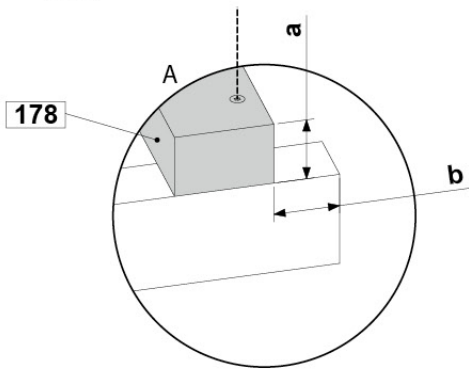
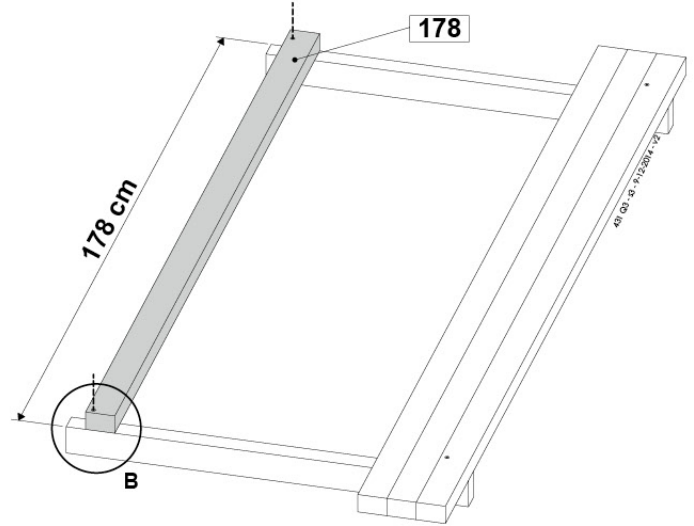
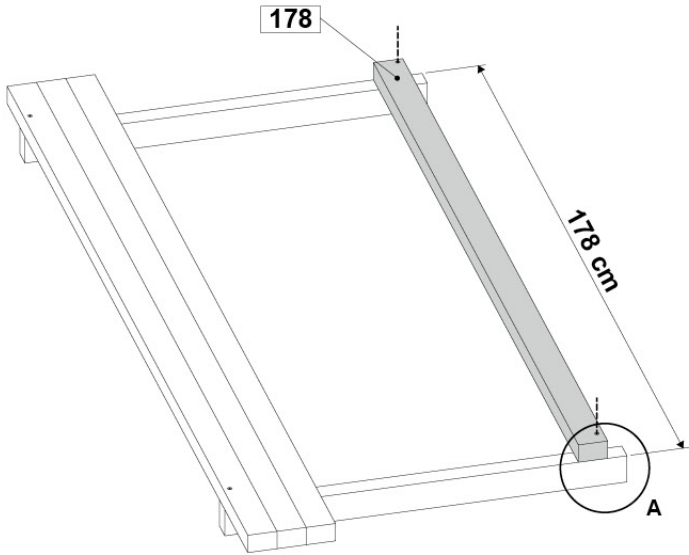
4x 80 mm



# 11.2c

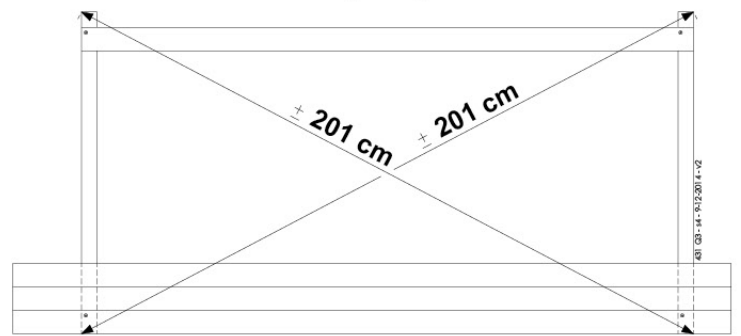
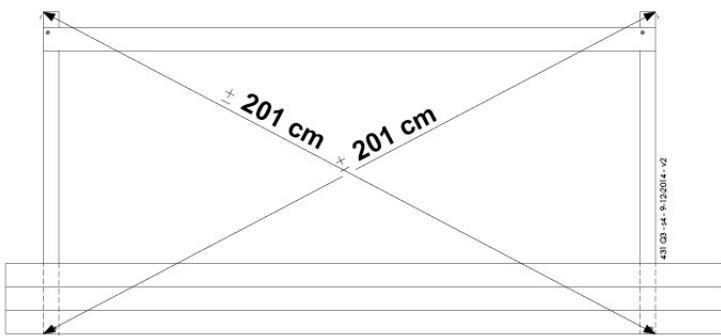


4x 80 mm

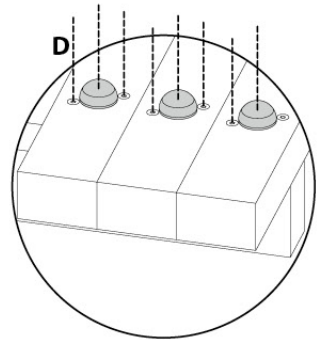
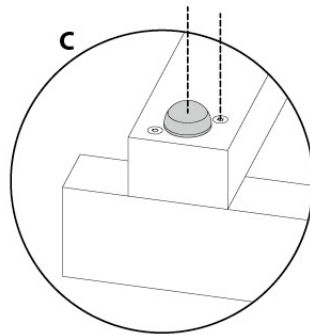
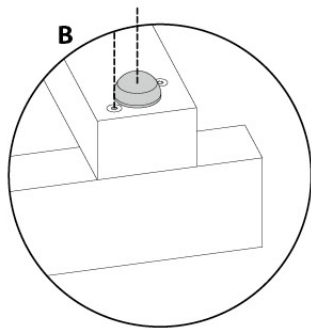
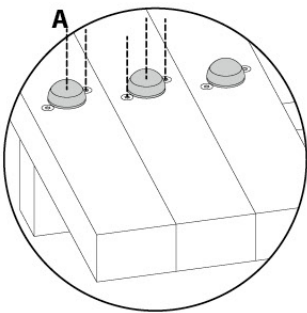
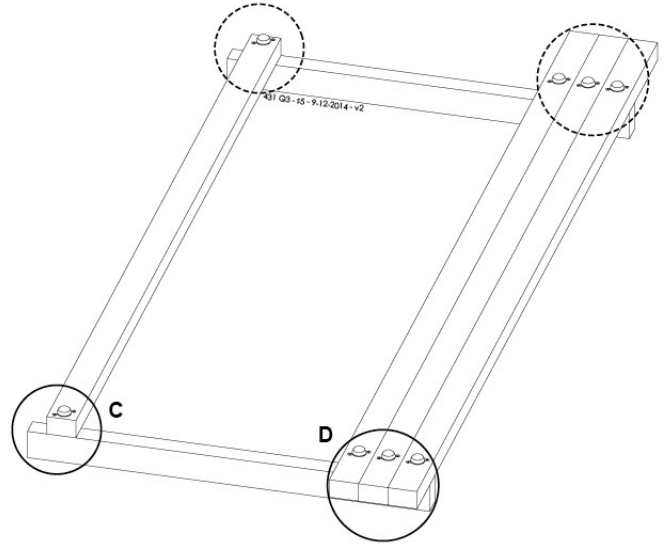
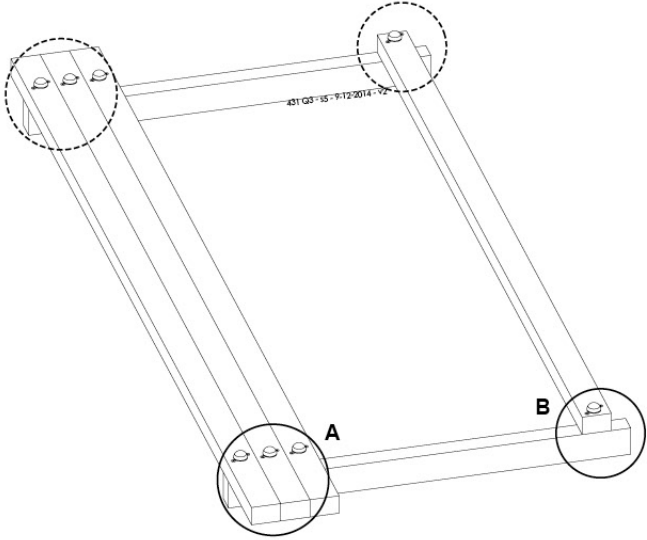
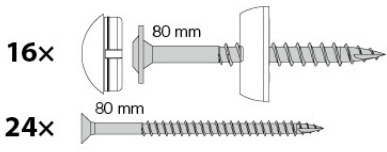


a = a  
b = b

# 11.2d



11.2e

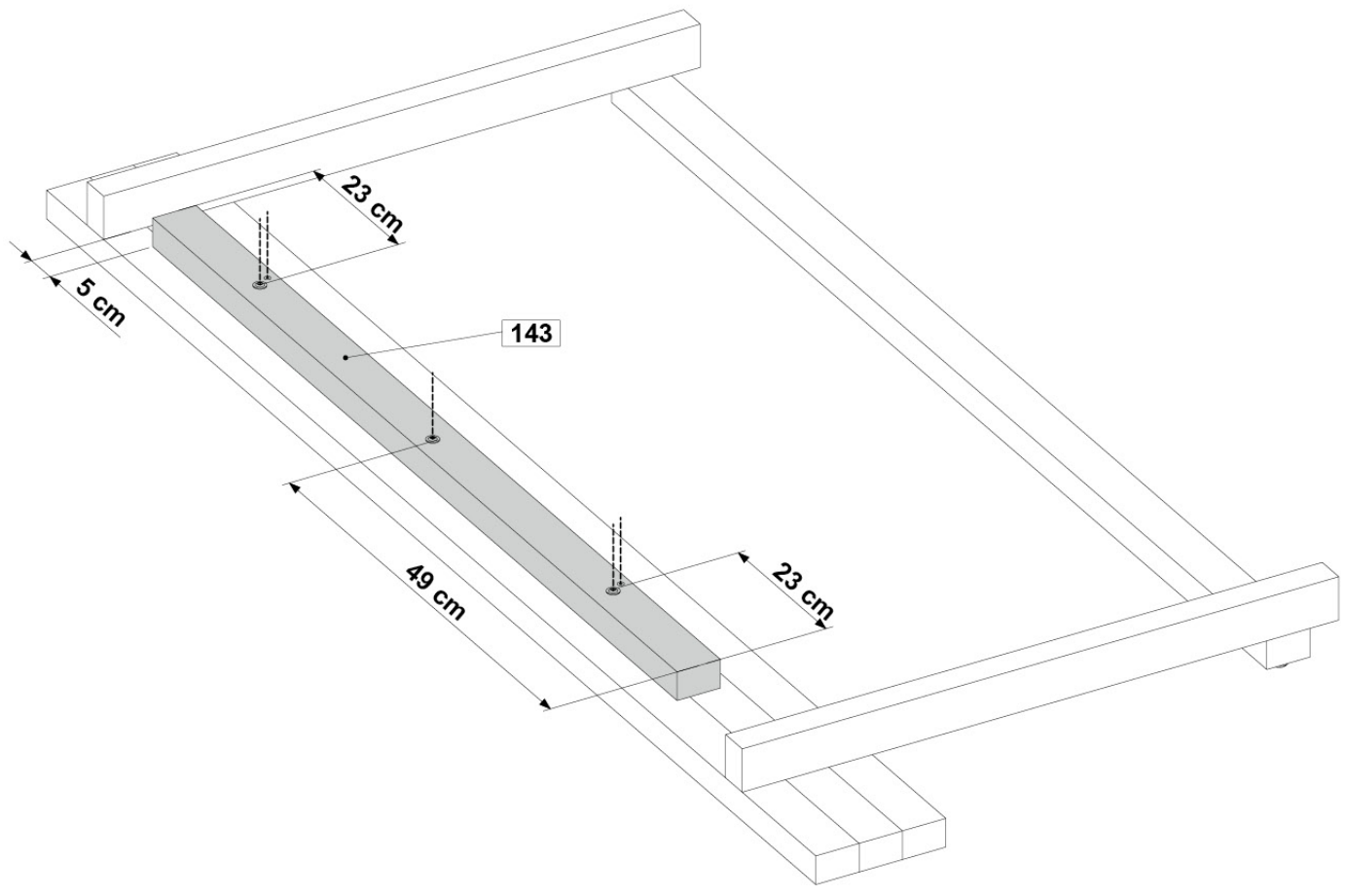
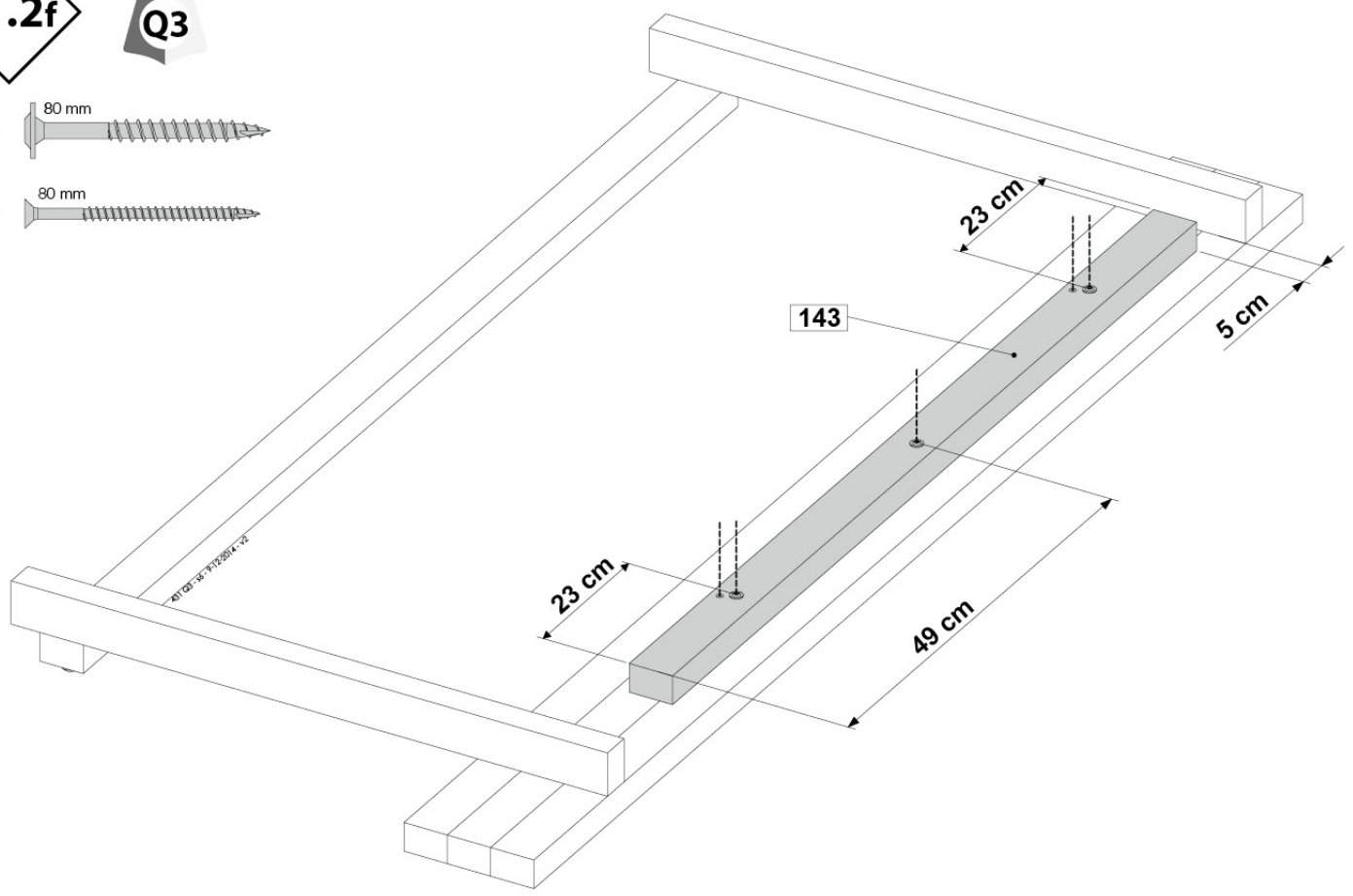


11.2f



6x 80 mm

4x 80 mm

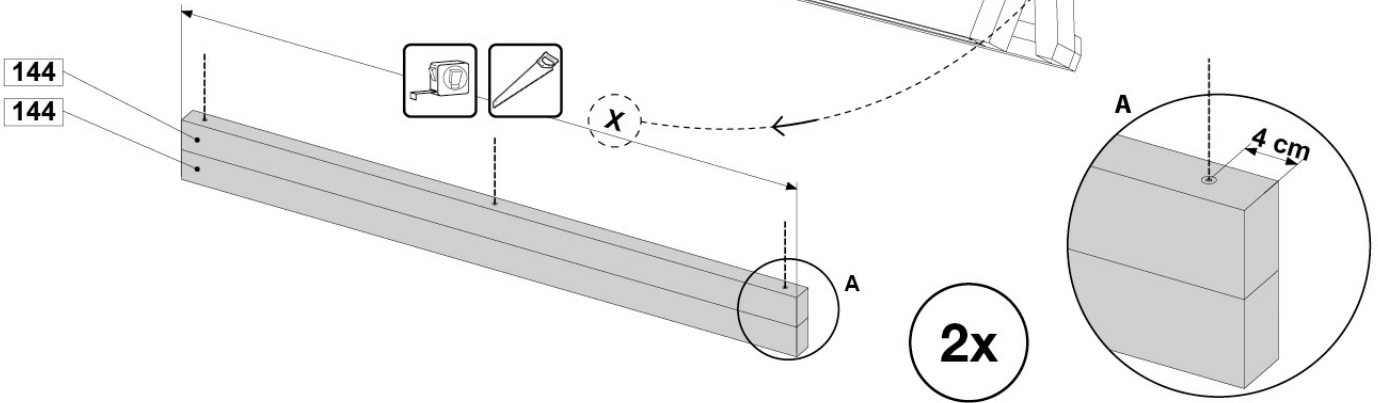




11.2g



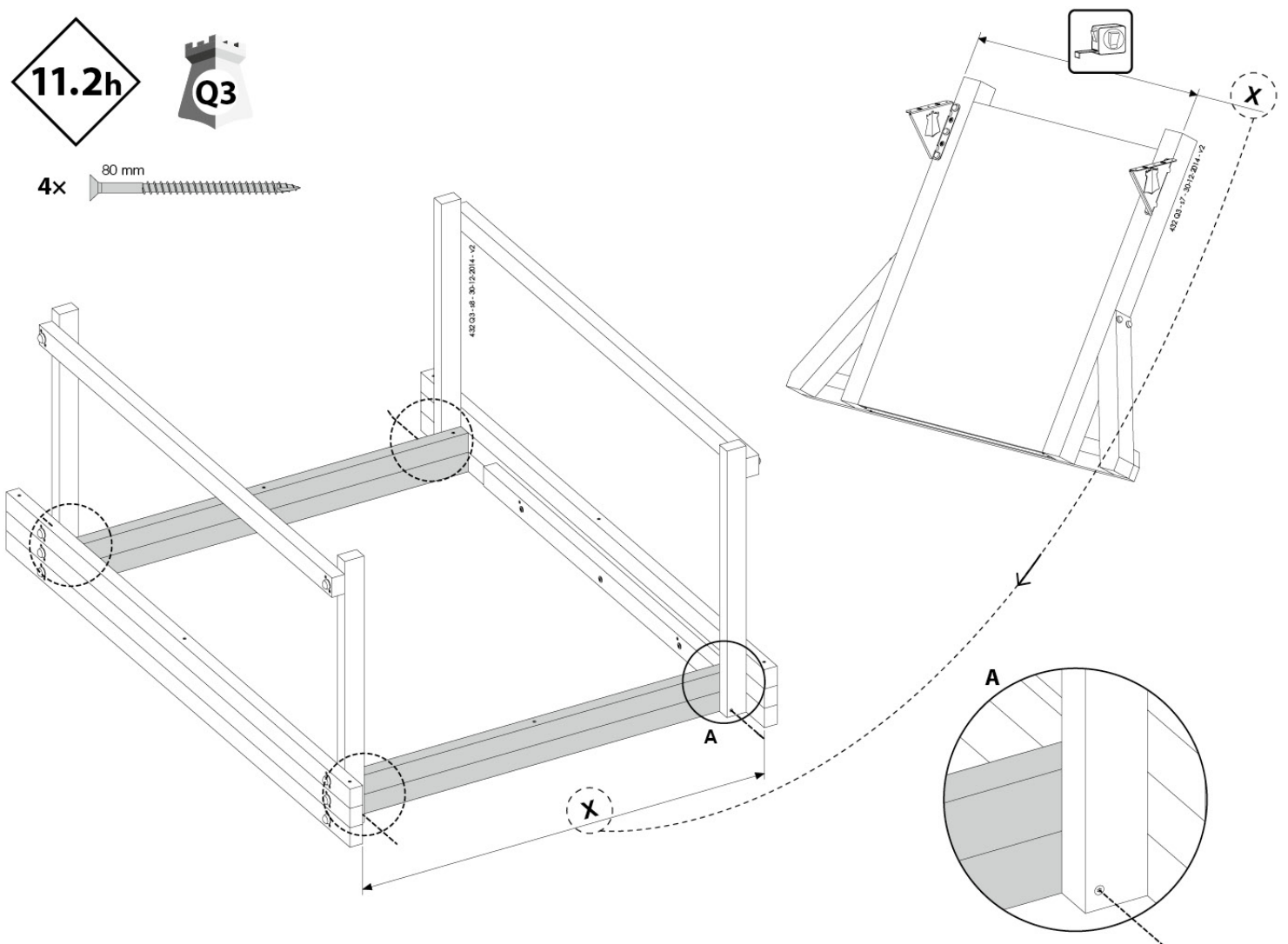
6x 100 mm



11.2h



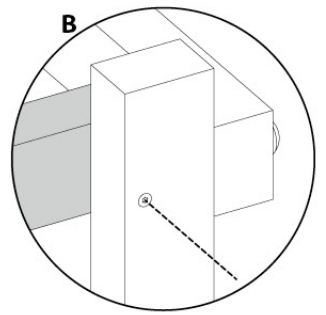
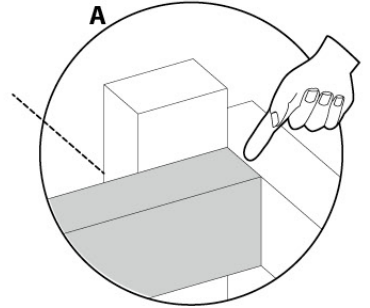
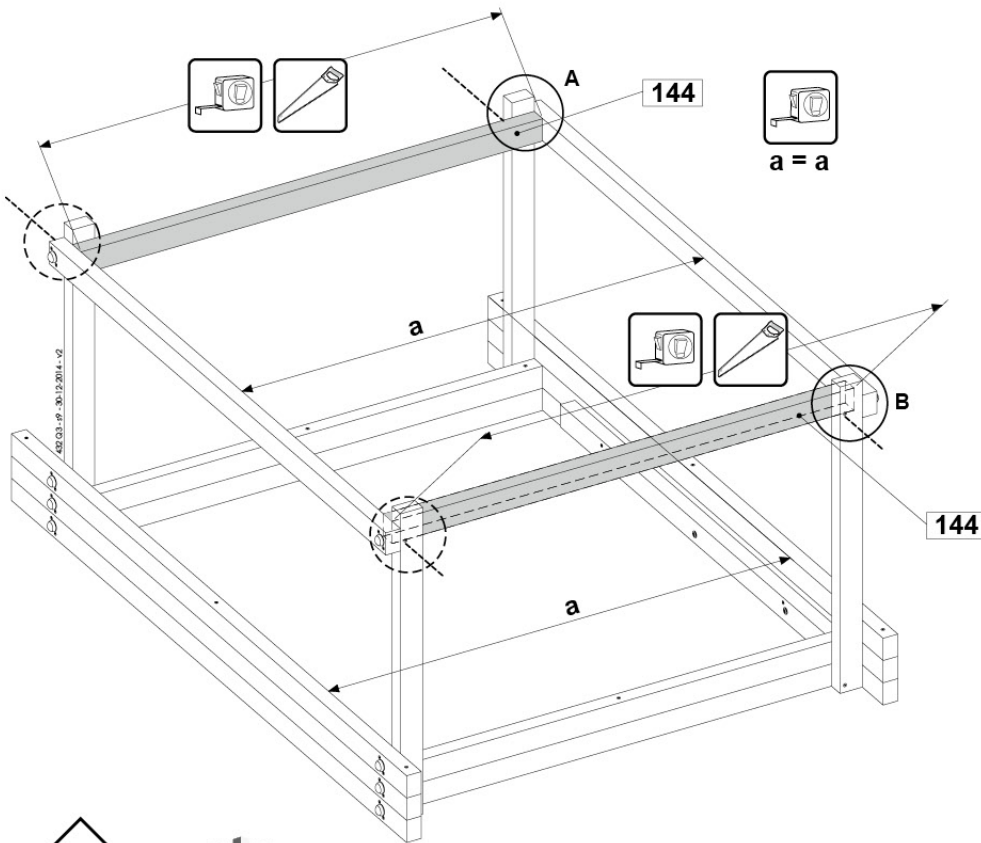
4x 80 mm



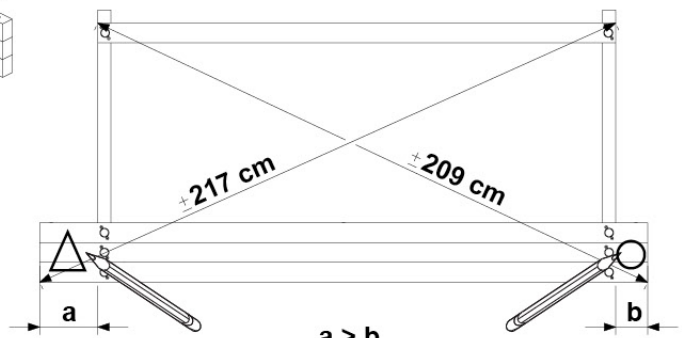
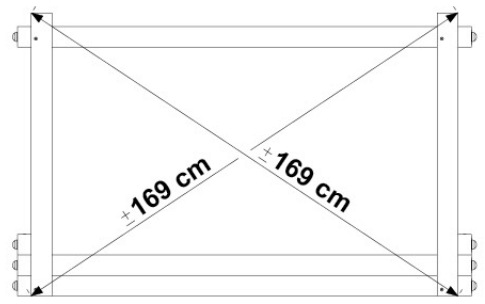
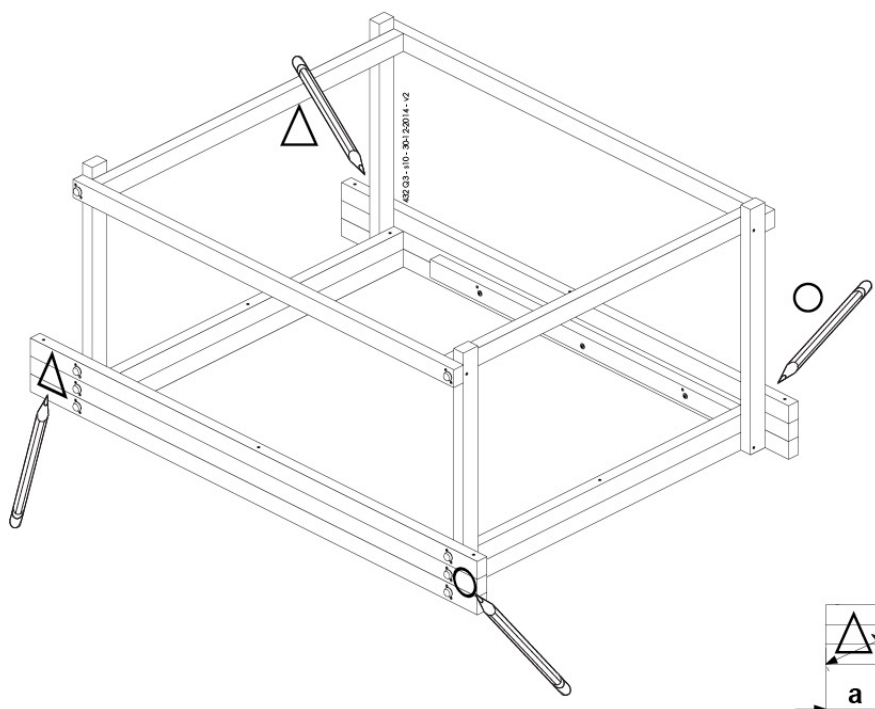
# 11.2i



4x 80 mm



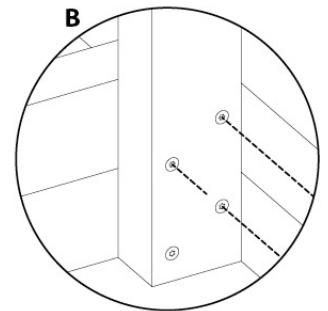
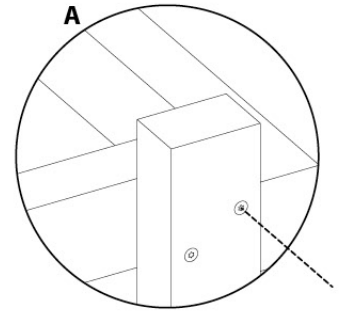
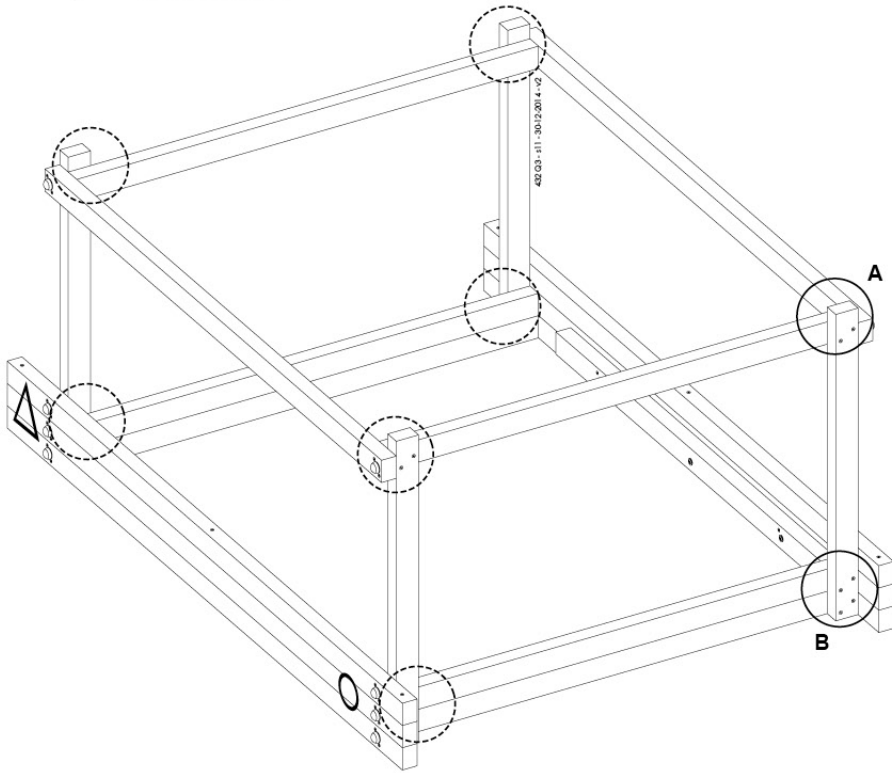
# 11.2j



11.2k



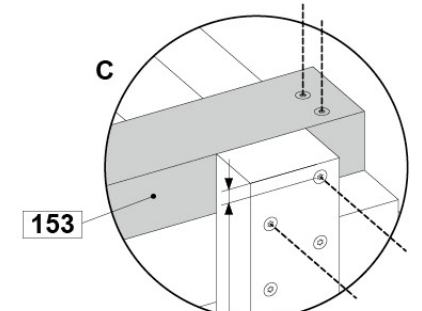
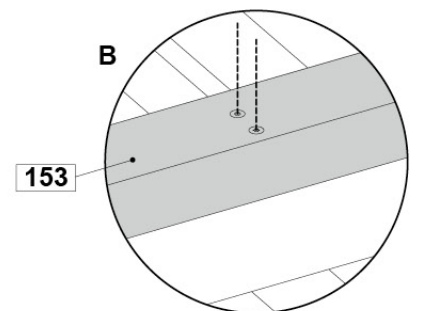
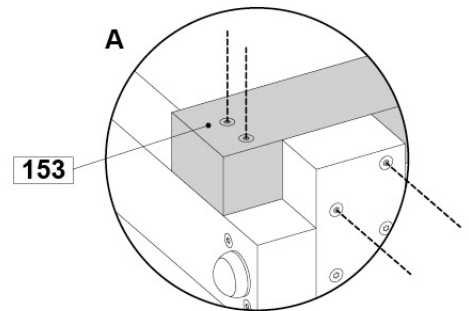
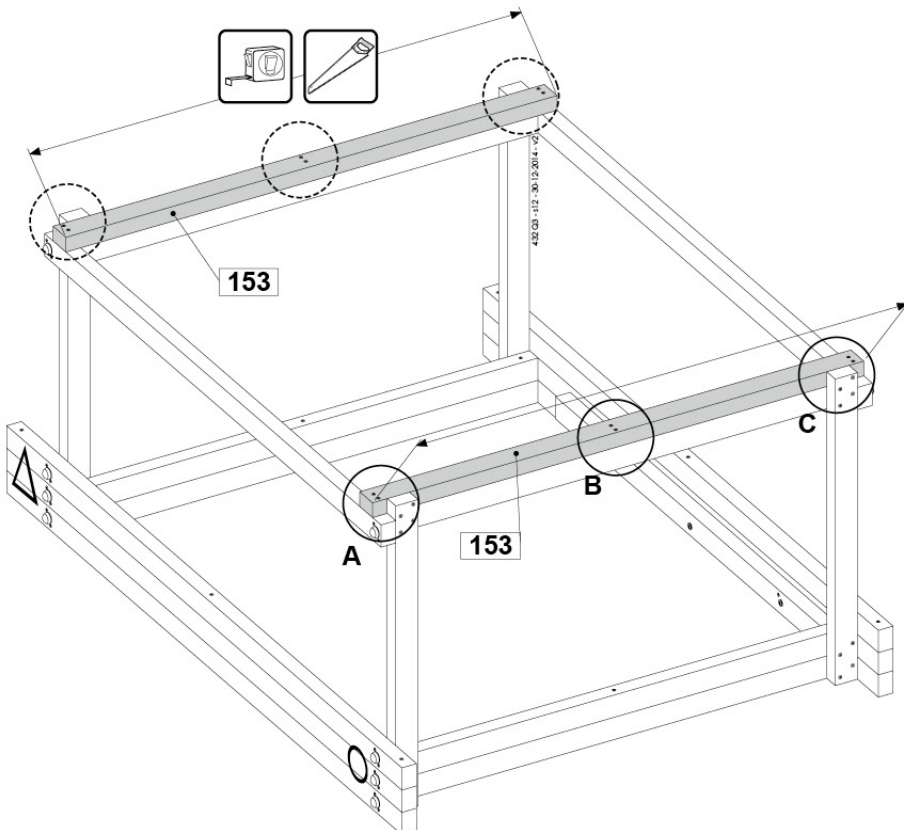
16x 80 mm



11.2L



20x 80 mm

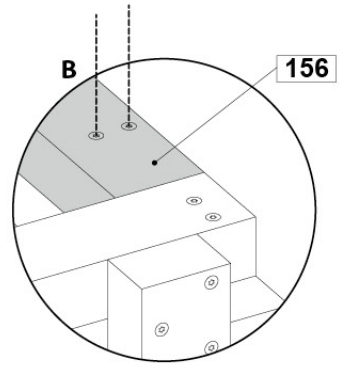
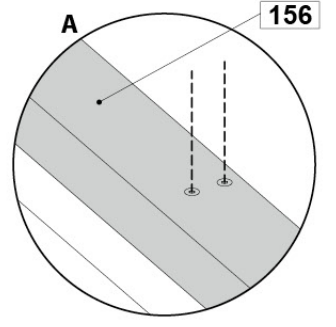
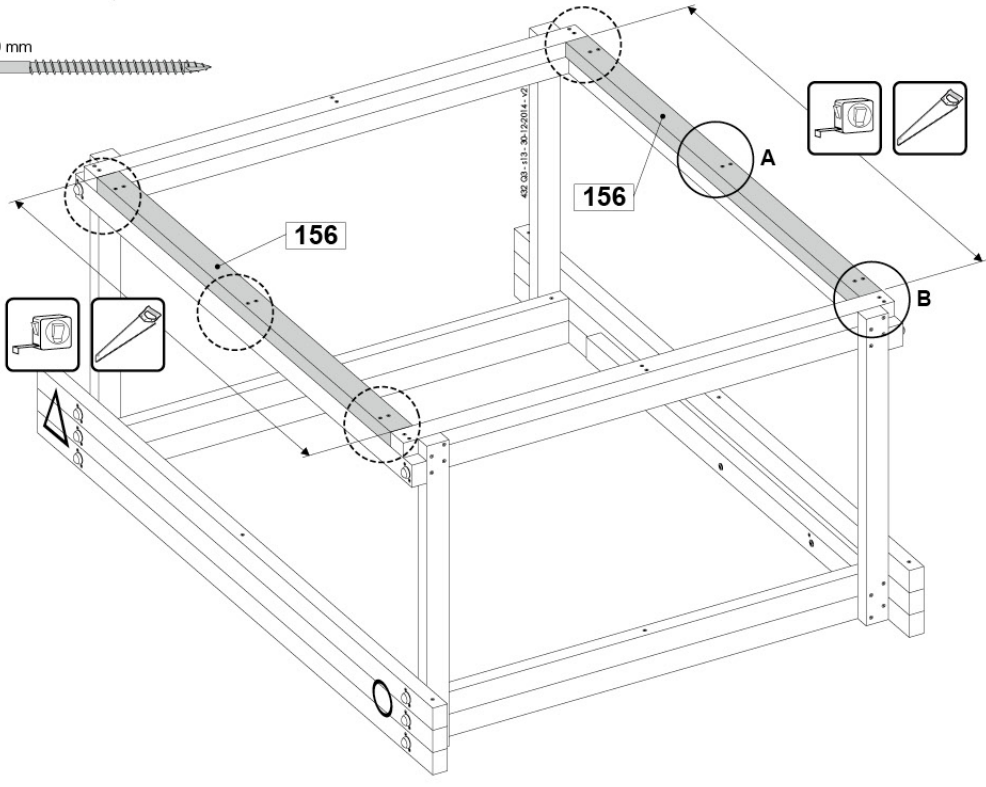


min. 1 cm

11.2m



12x 80 mm

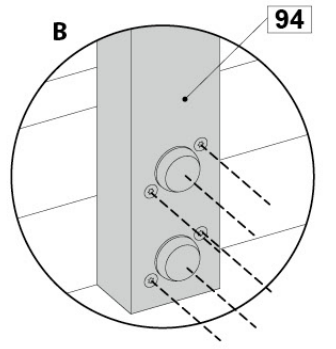
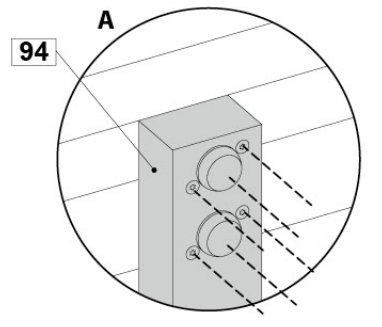
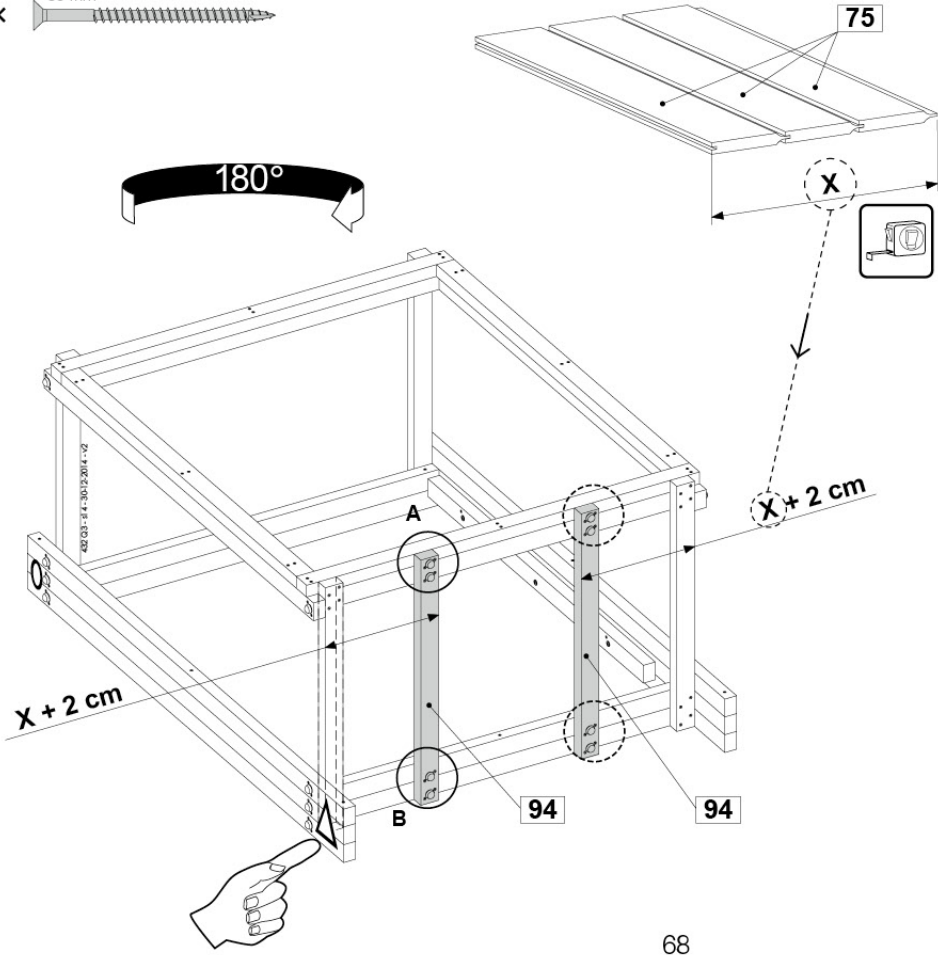


11.2n

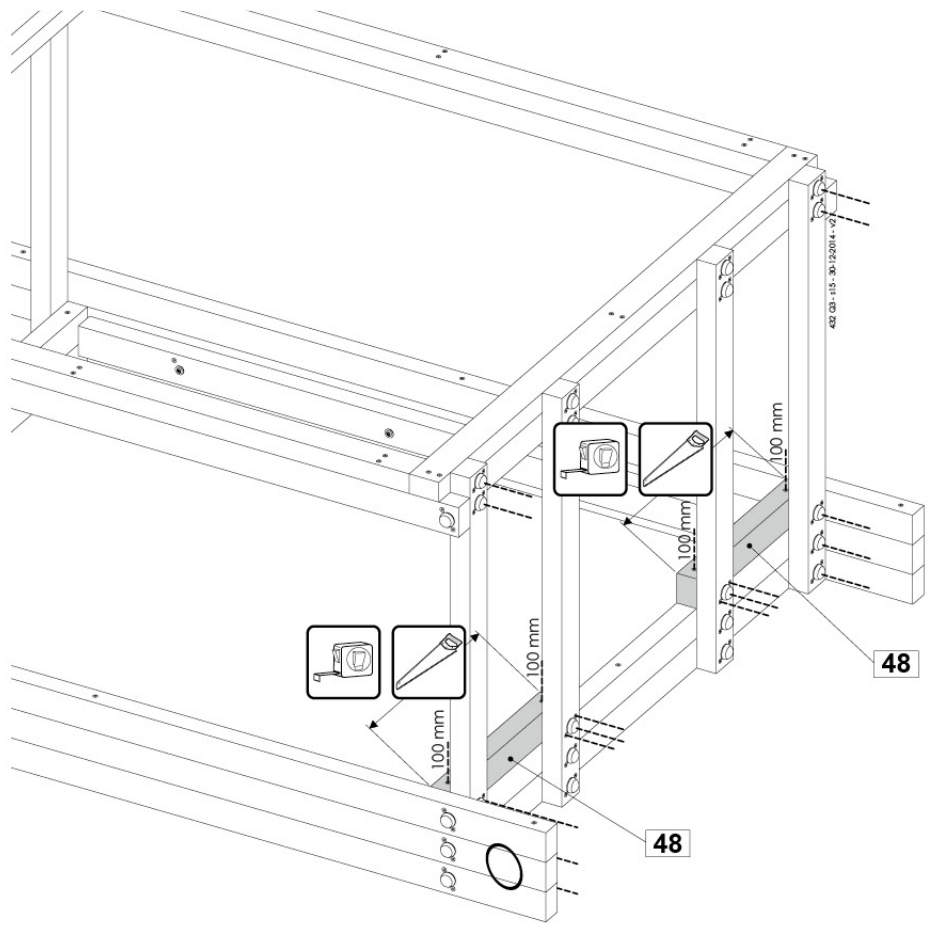
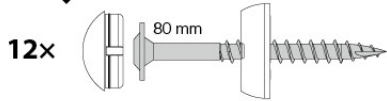


8x 80 mm

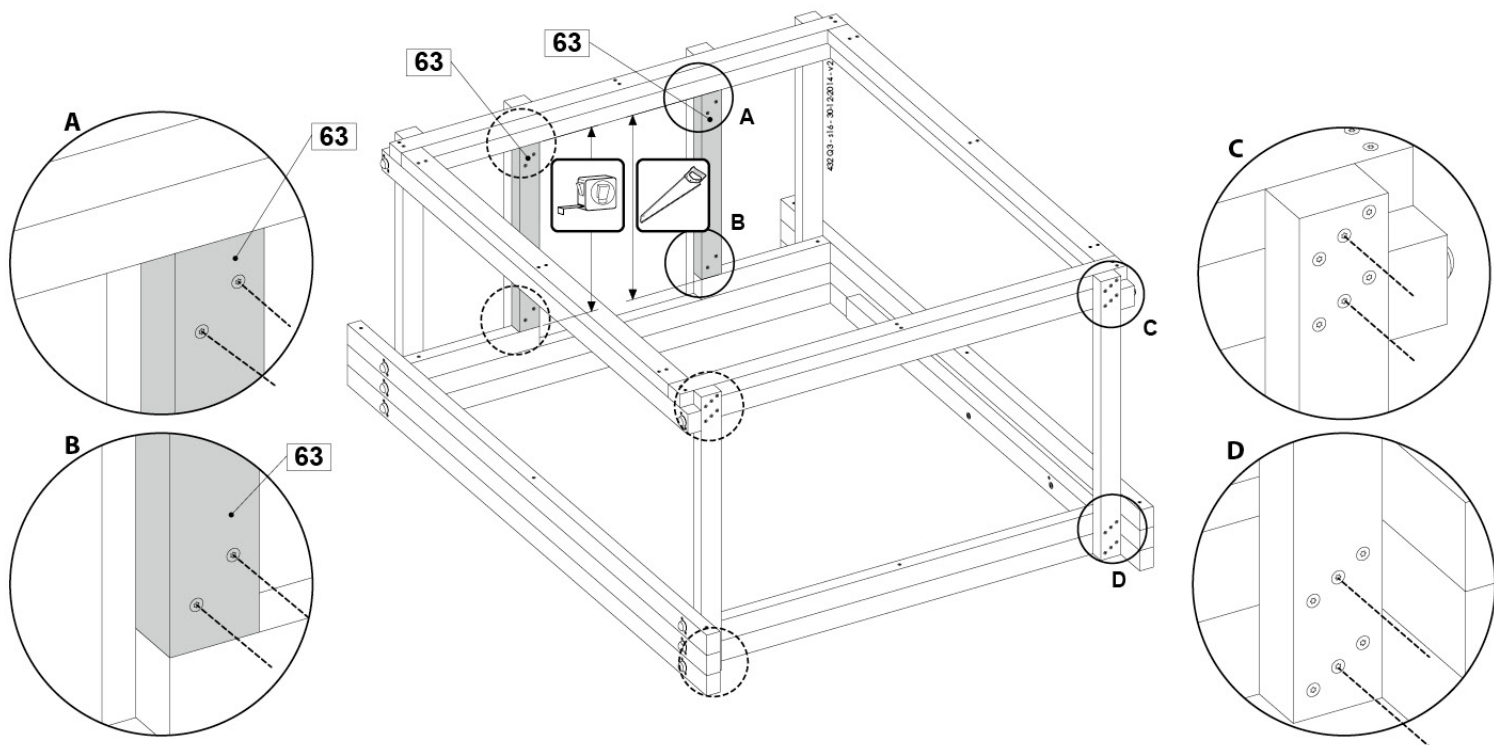
16x 80 mm



11.2o



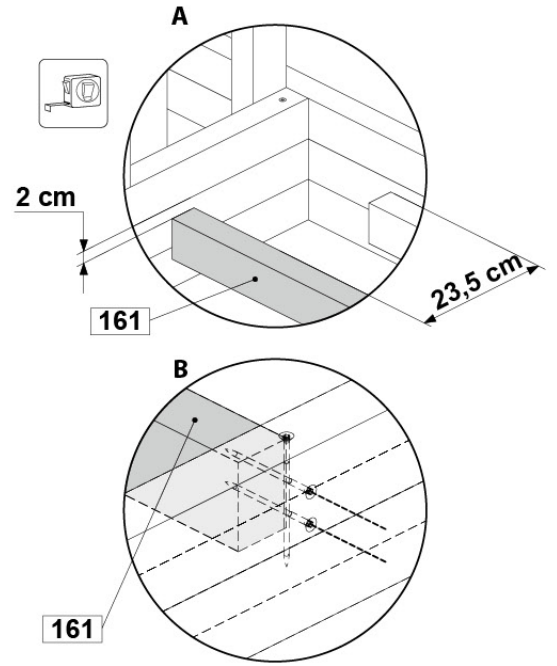
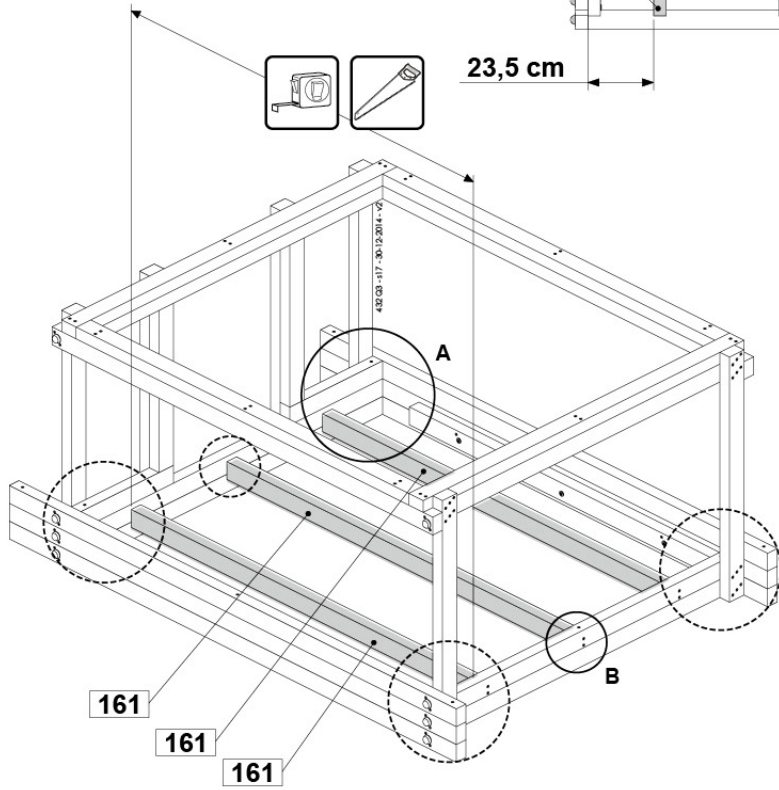
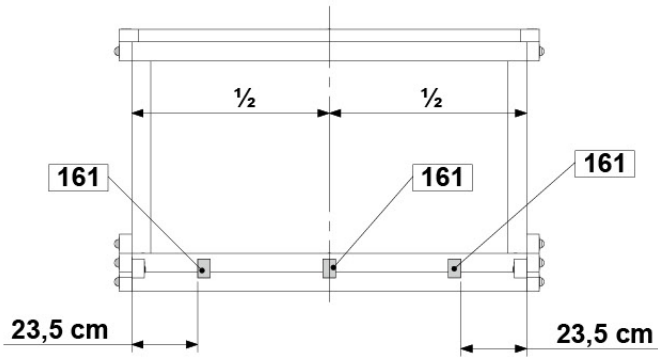
11.2p



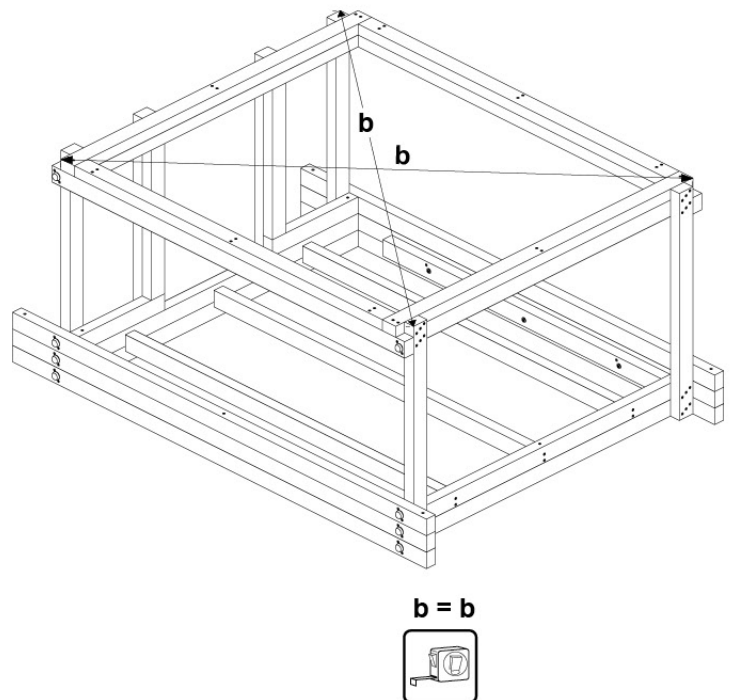
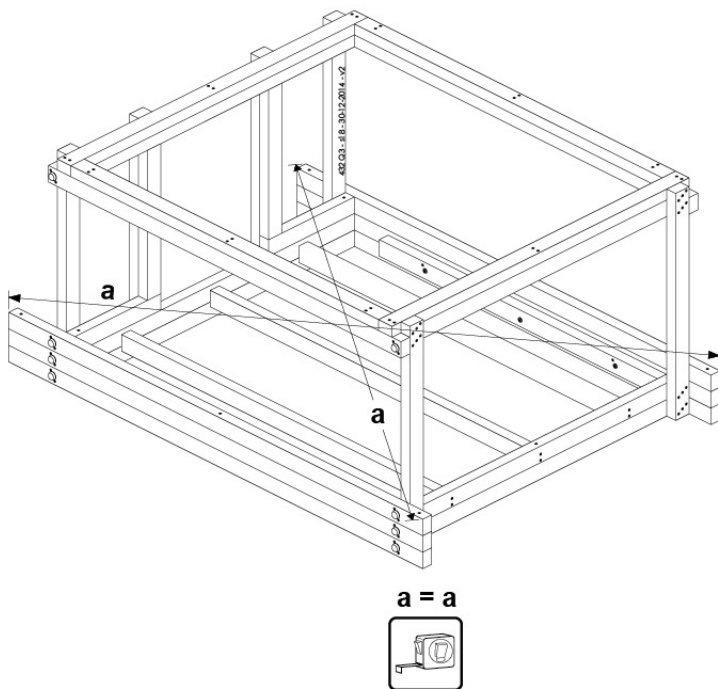
11.2q



12x 80 mm



11.2r



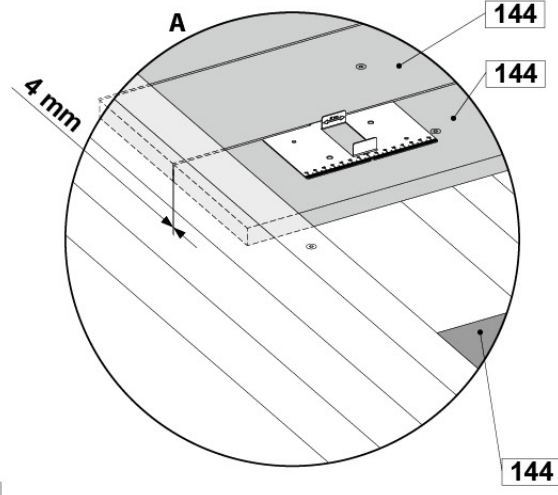
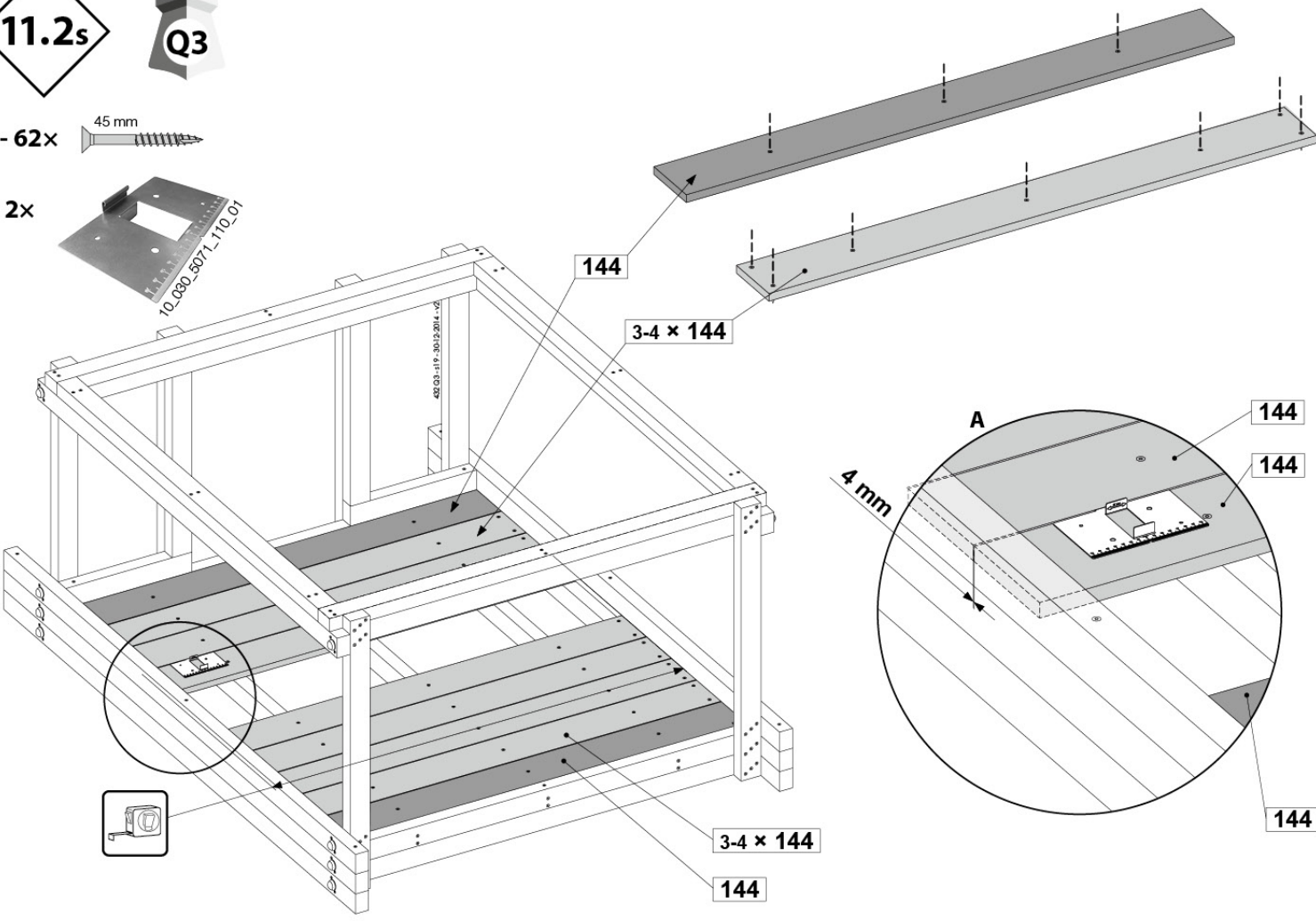
# 11.2s



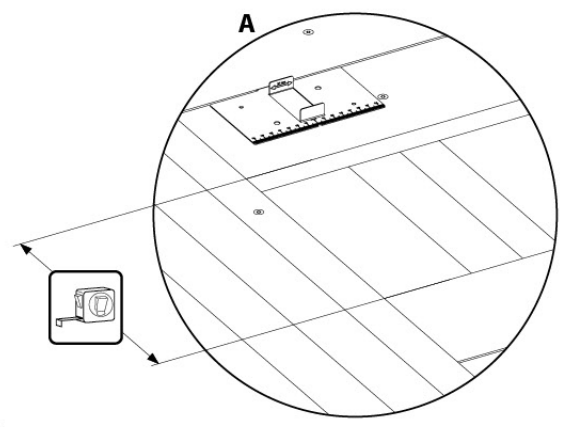
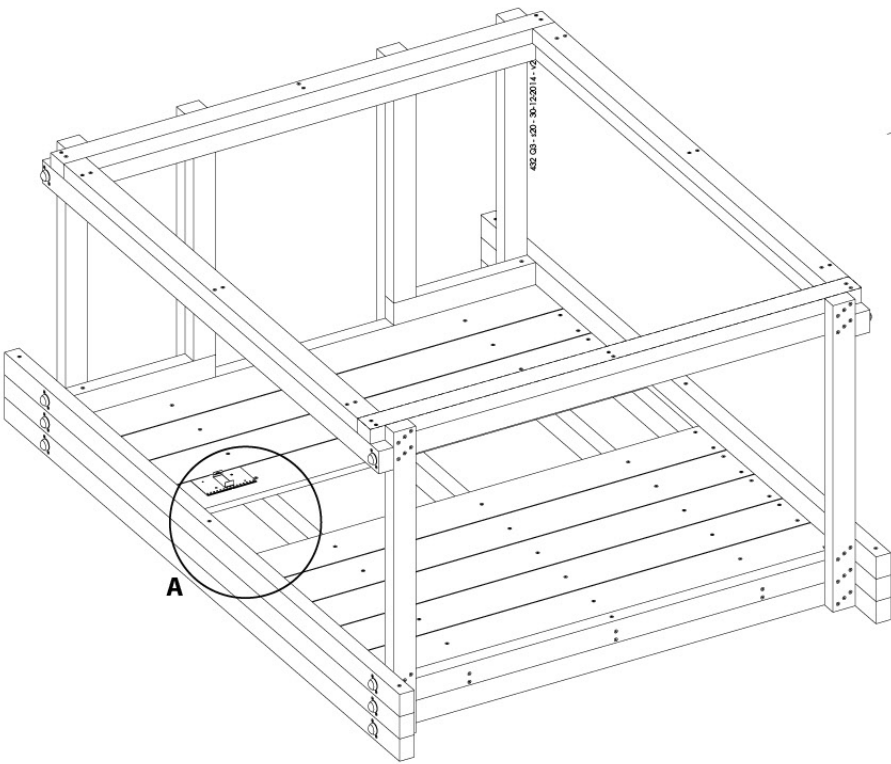
48 - 62x 45 mm

2x

10\_080\_0071\_L\_110\_01

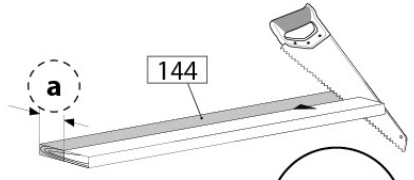


# 11.2t



- 1,2 cm

$$\frac{\quad}{2} = a$$

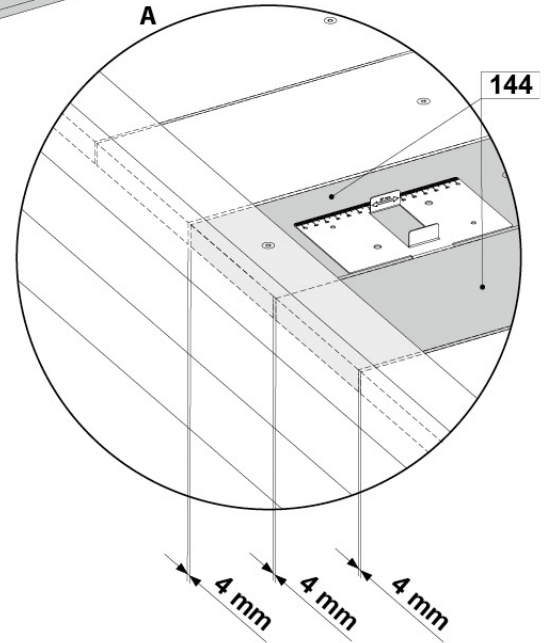
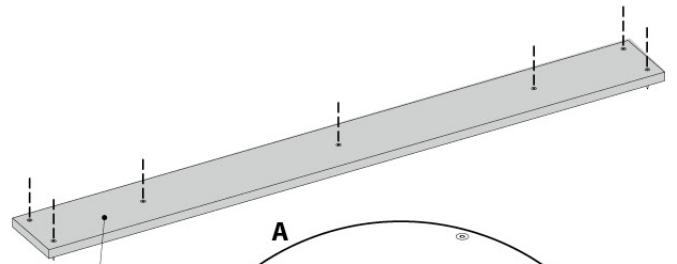
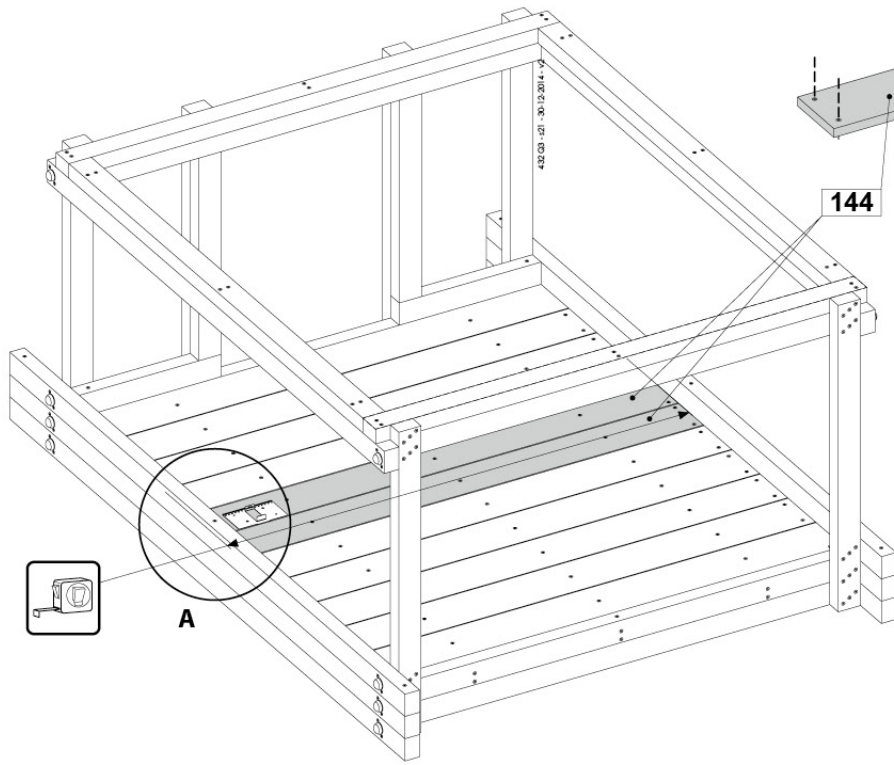


2x

11.2u



14x 45 mm



11.2v



10x 80 mm

