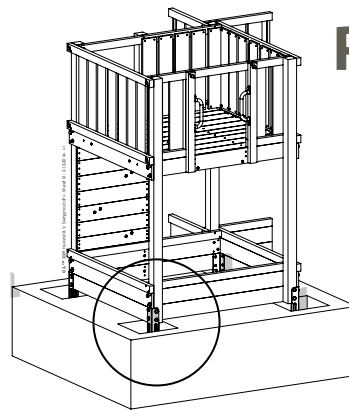
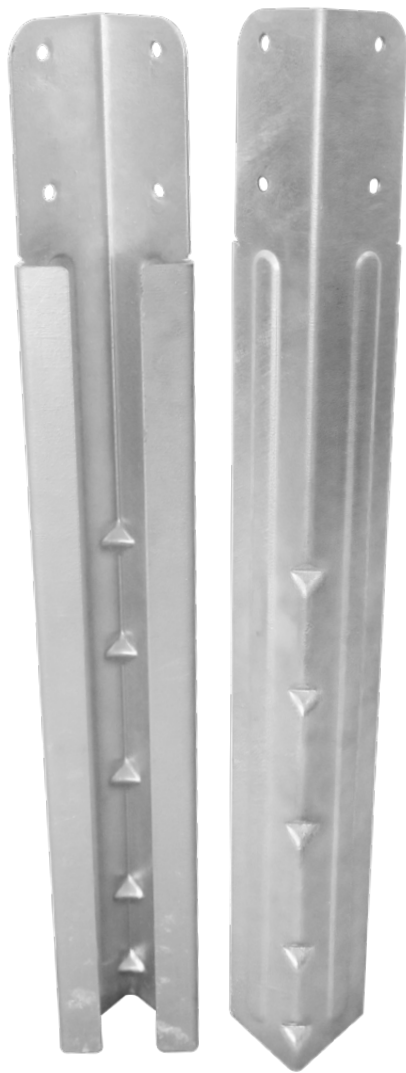
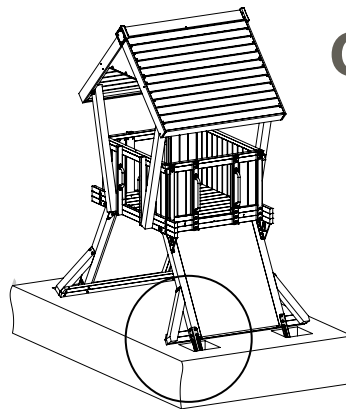
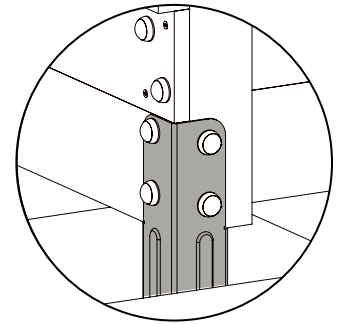


Assembly

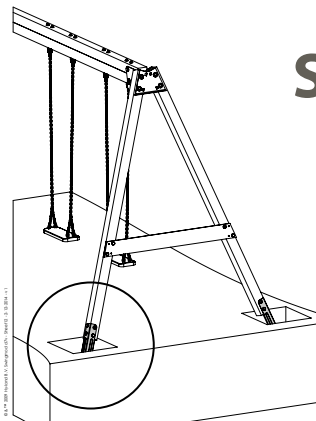
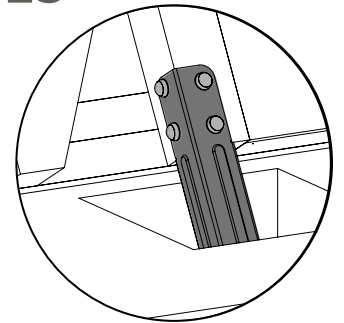
Anchor Set Uni



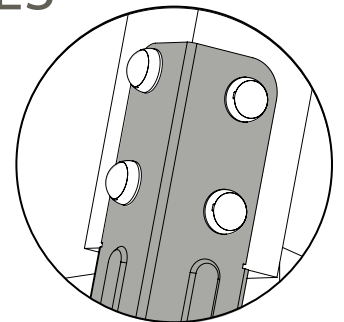
P SERIES



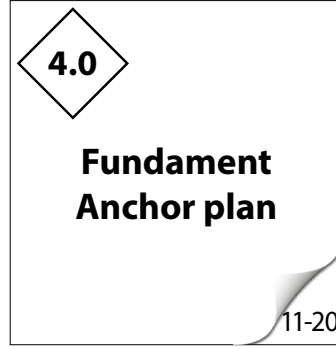
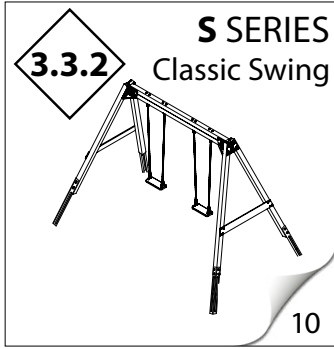
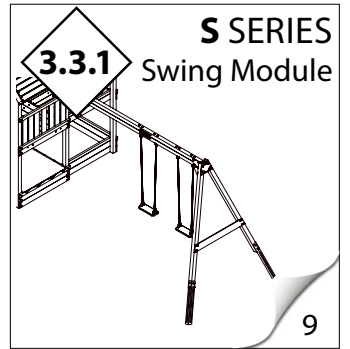
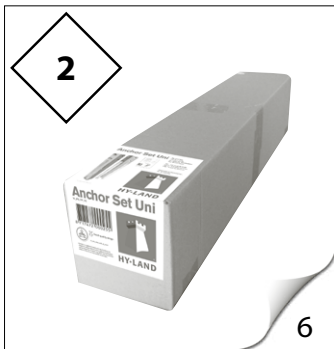
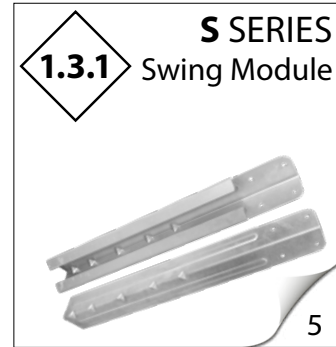
Q SERIES



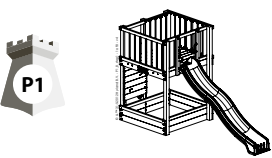
S SERIES



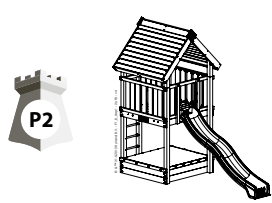
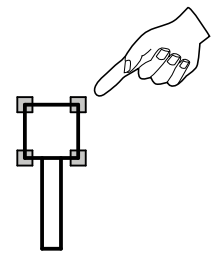
Assembly steps



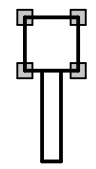
1.1 **P SERIES**



+



+



1.1

P SERIES

P3

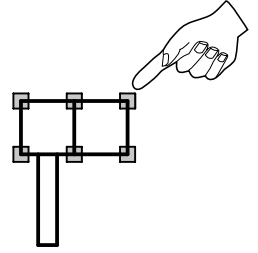


3x

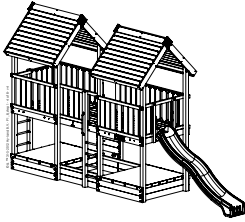
+



6x 15 L ≈ 6x 30 kg



P4

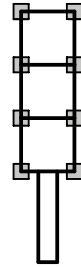


4x

+



8x 15 L ≈ 8x 30 kg



P5

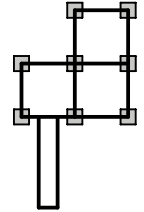


4x

+



8x 15 L ≈ 8x 30 kg



P6

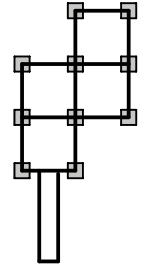


5x

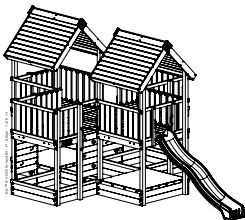
+



10x 15 L ≈ 10x 30 kg



P7

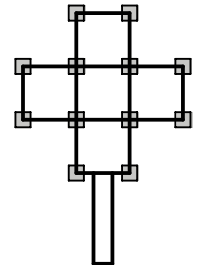


6x

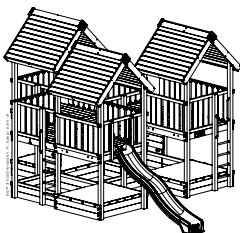
+



12x 15 L ≈ 12x 30 kg



P8

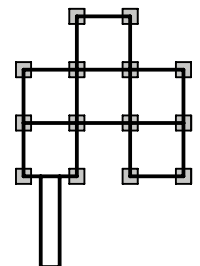


7x

+



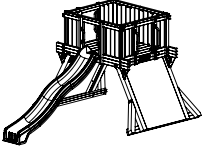
14x 15 L ≈ 14x 30 kg



1.2

Q SERIES

Q1

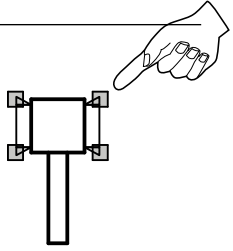


2x

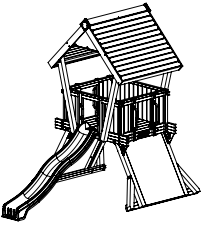
+



4x 45 L ≈ 4x 90 kg



Q2

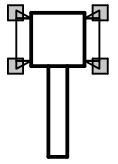


2x

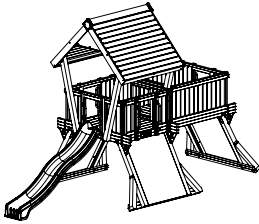
+



4x 45 L ≈ 4x 90 kg



Q3

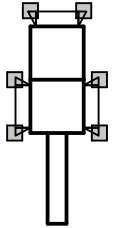


3x

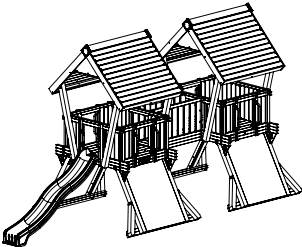
+



6x 45 L ≈ 6x 90 kg



Q4

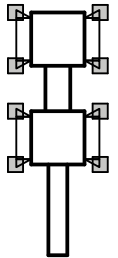


4x

+



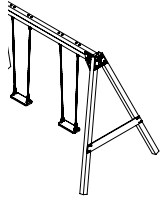
8x 45 L ≈ 8x 90 kg



1.3

S SERIES

1.3.1

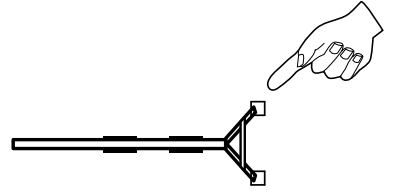


1x

+

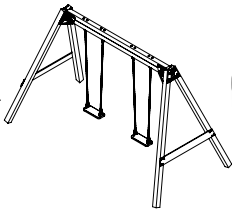


2x 130 L \approx 2x 260 kg



Swing Module

1.3.2

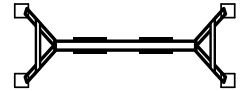


2x

+

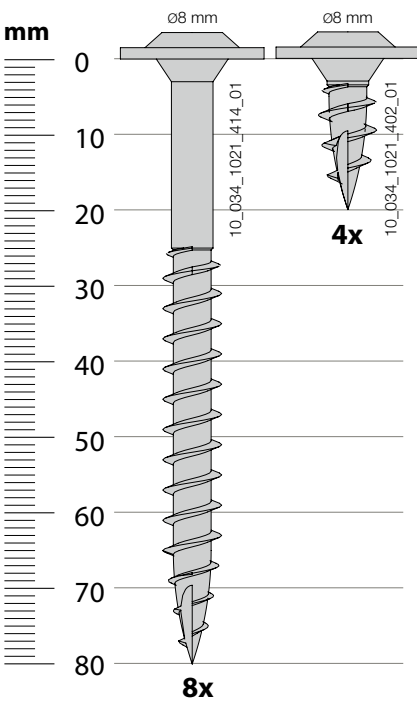


4x 130 L \approx 4x 260 kg



Classic Swing Set

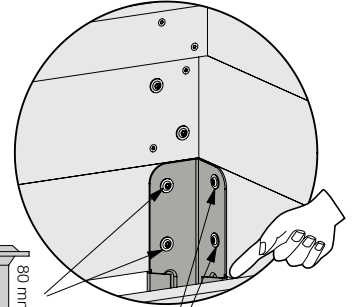
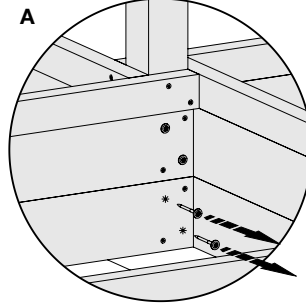
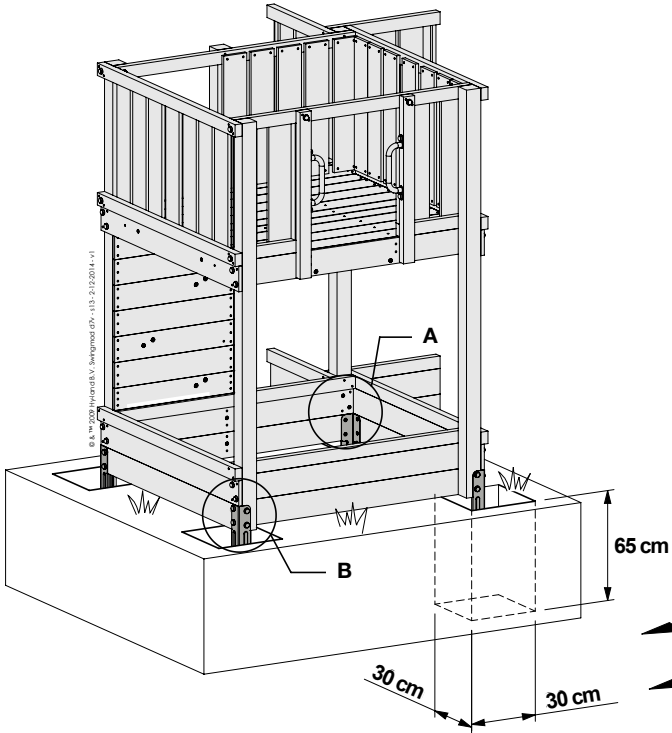
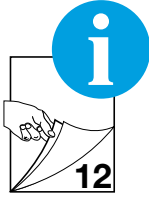
2



3.1

P SERIES

Fundament Plan

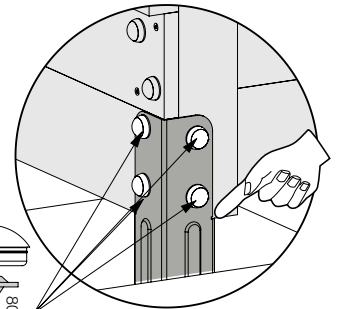
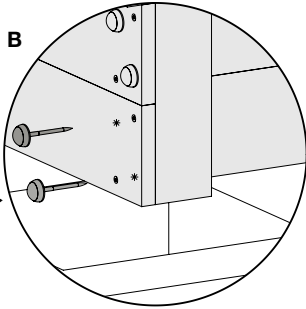


80 mm

20 mm

2x

2x



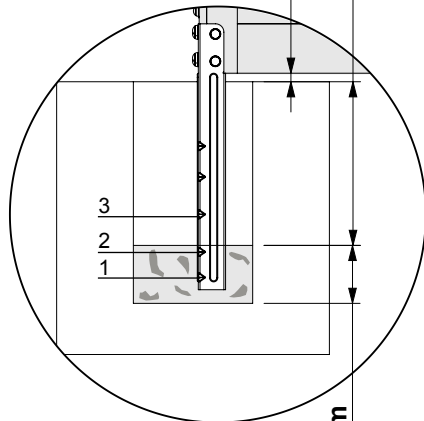
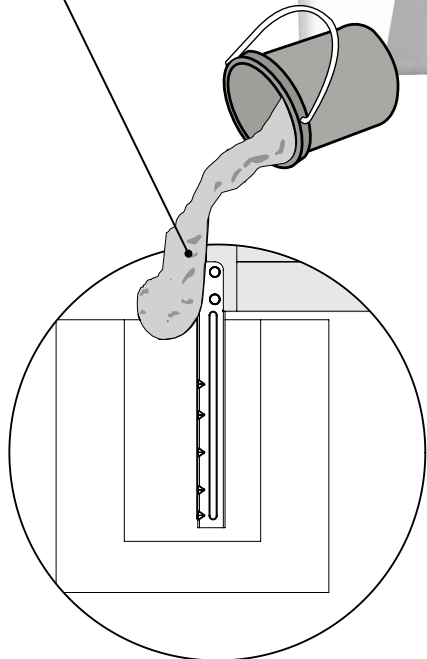
80 mm

4x

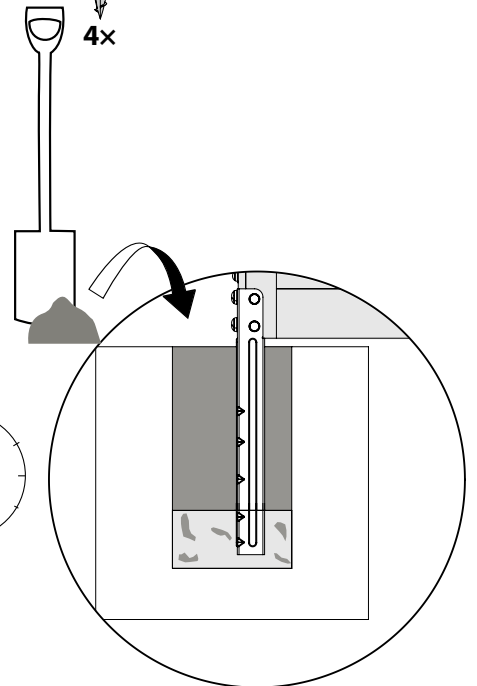
15 L ≈ 30 kg



2,5 cm
± 50 cm



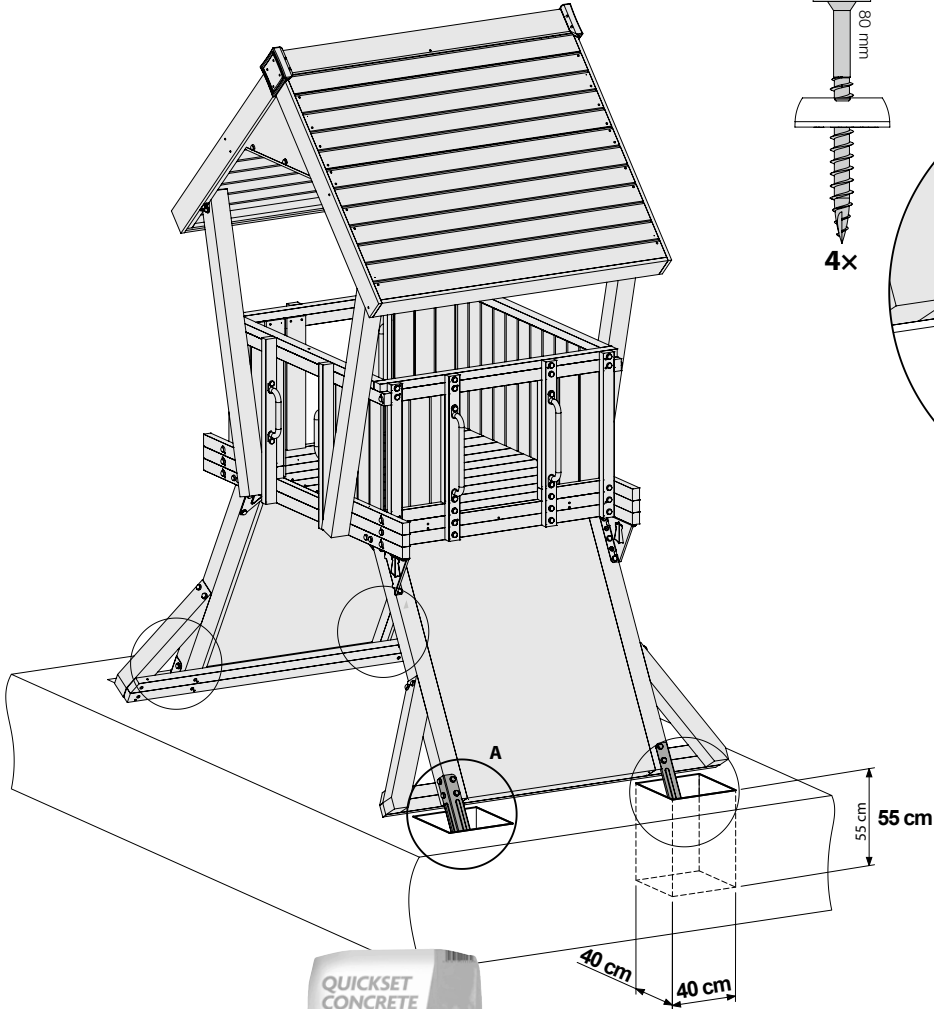
24^h



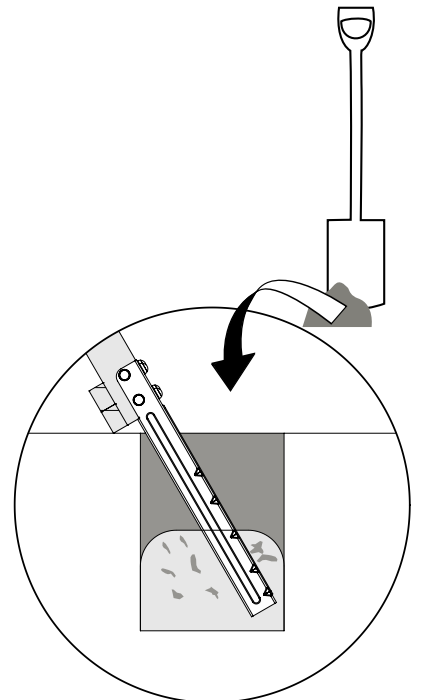
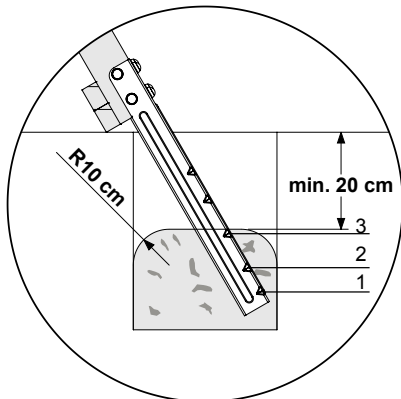
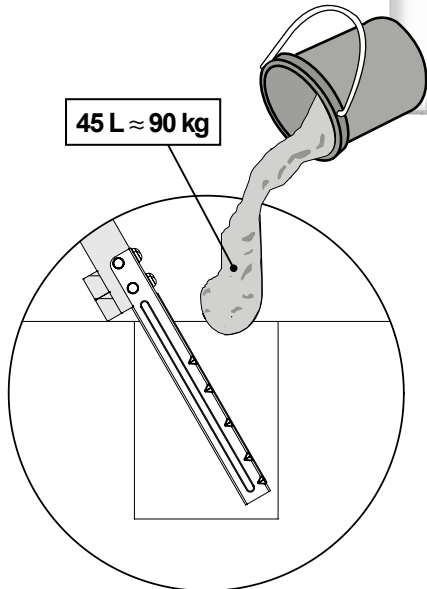
3.2

Q SERIES

Fundament Plan



45 L ≈ 90 kg



3.3.1

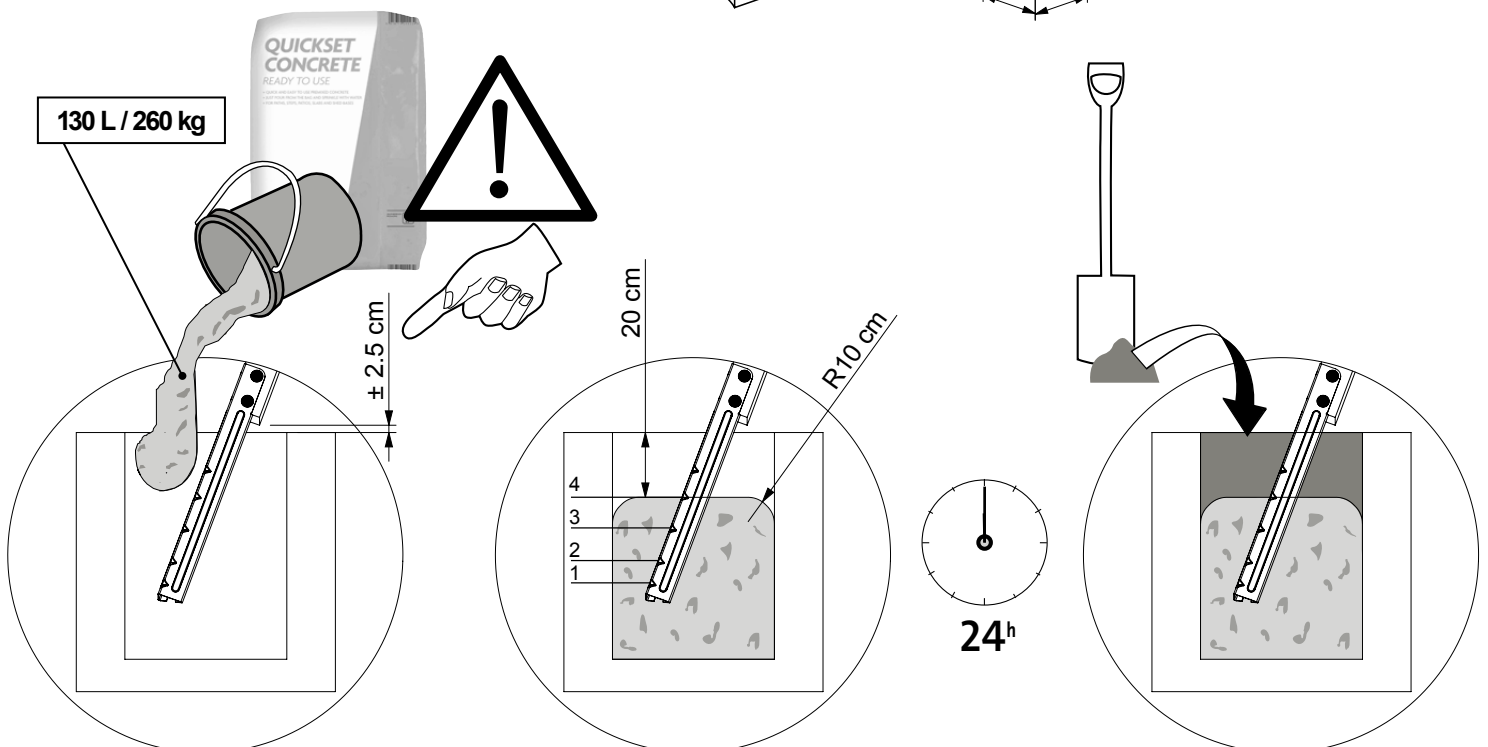
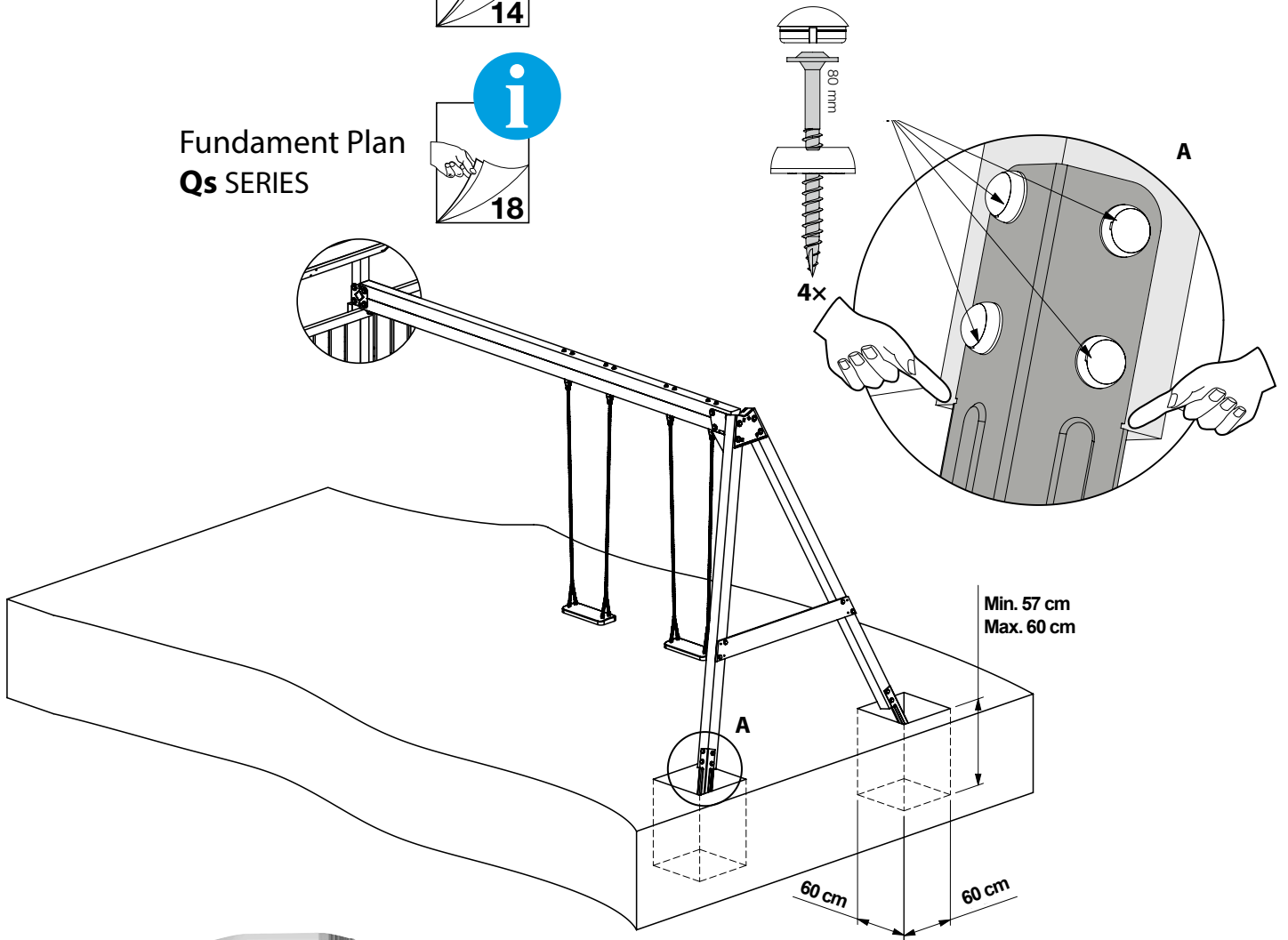
S SERIES

Swing Module

Fundament Plan
Ps SERIES



Fundament Plan
Qs SERIES

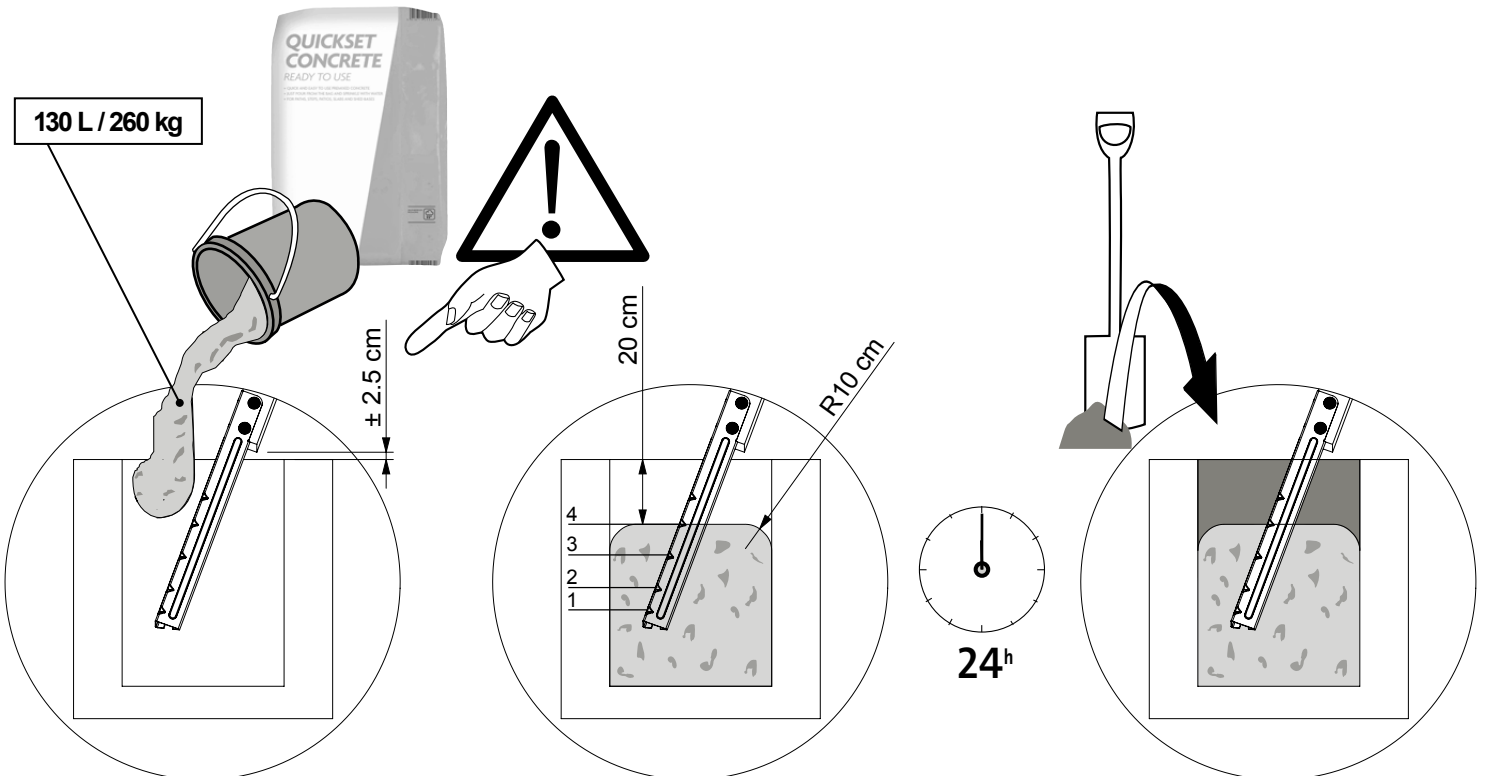
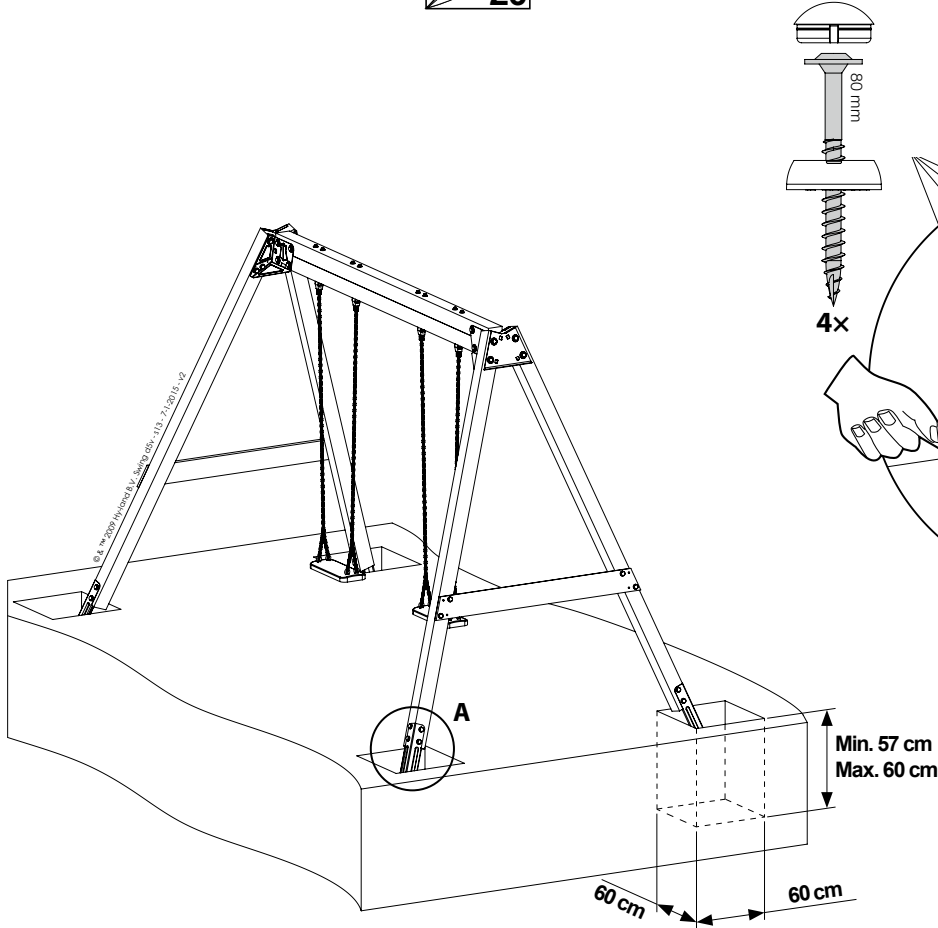
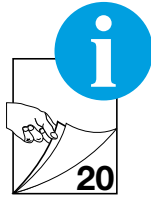


3.3.2

S SERIES

Classic Swing Set

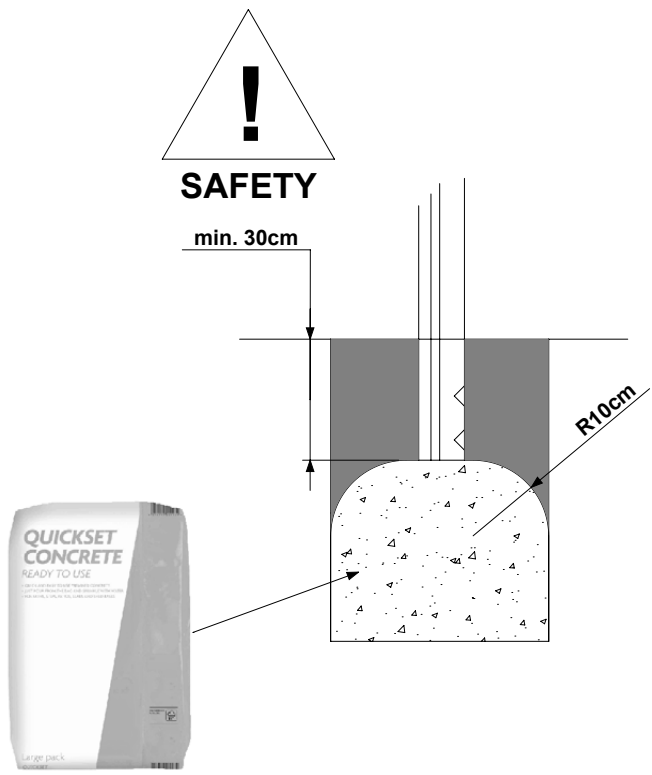
Fundament Plan



4.0

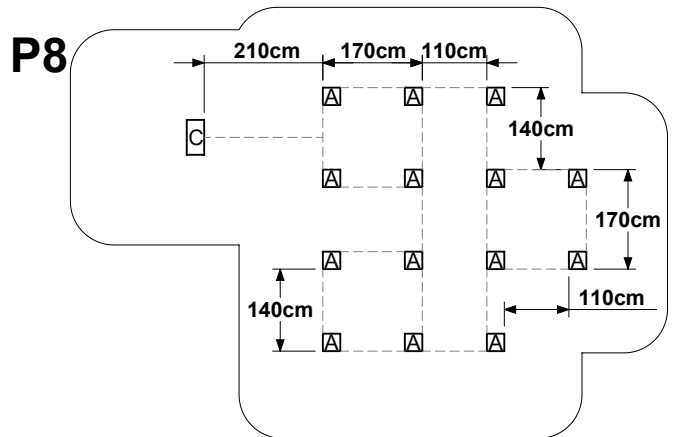
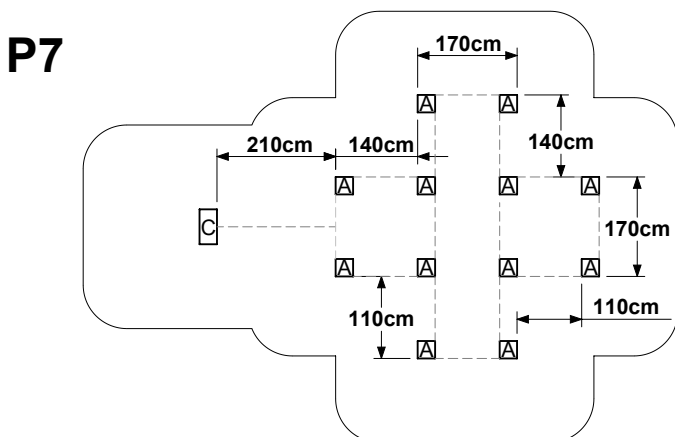
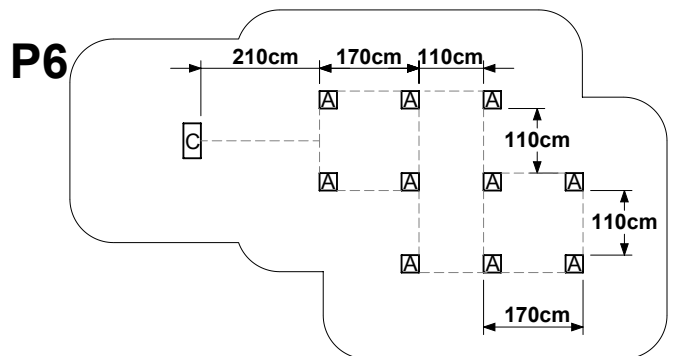
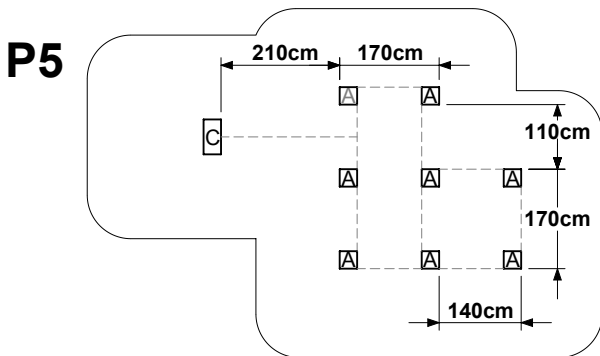
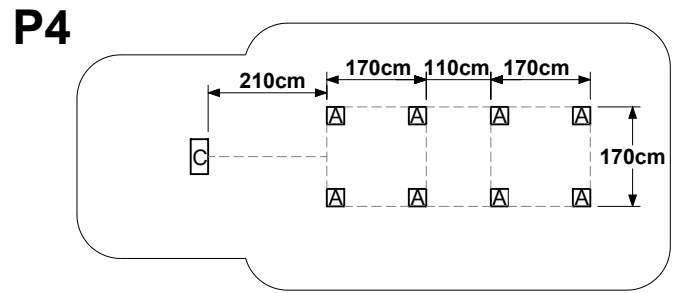
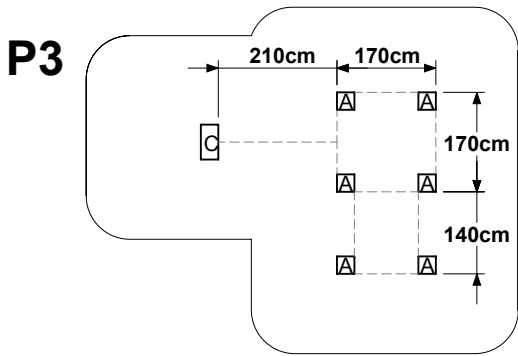
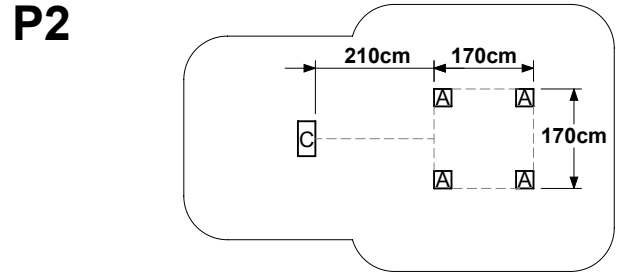
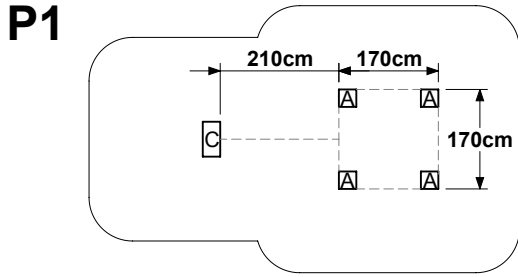
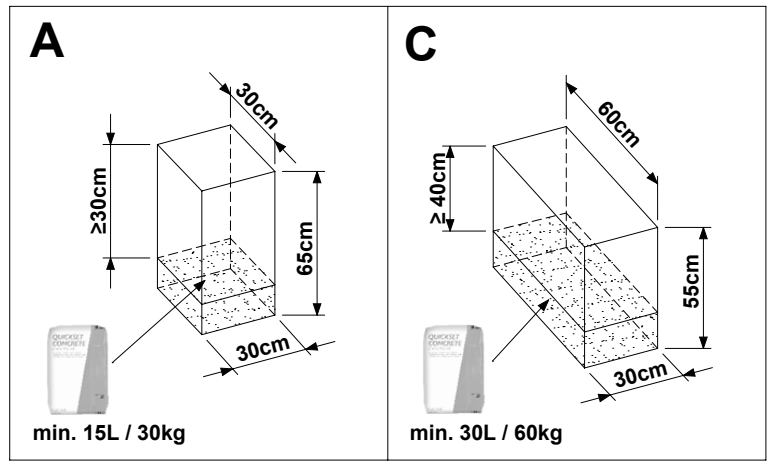
Fundament plan Anchoring (For 14-303-101-05 Anchor Set Uni)

		<u>HDPE Slide</u>	<u>Steel Slide</u>
P SERIES	➔	4.1a	4.1b
Ps SERIES (incl. Swing Module)	➔	4.2a	4.2b
Q SERIES	➔	4.3a	4.3b
Qs SERIES (incl. Swing Module)	➔	4.4a	4.4b
Classic Swing Set	➔		4.5



4.1a

P SERIES
(HDPE Slide)



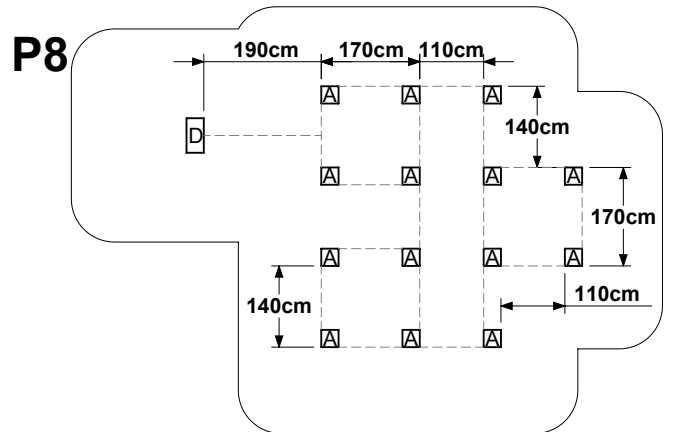
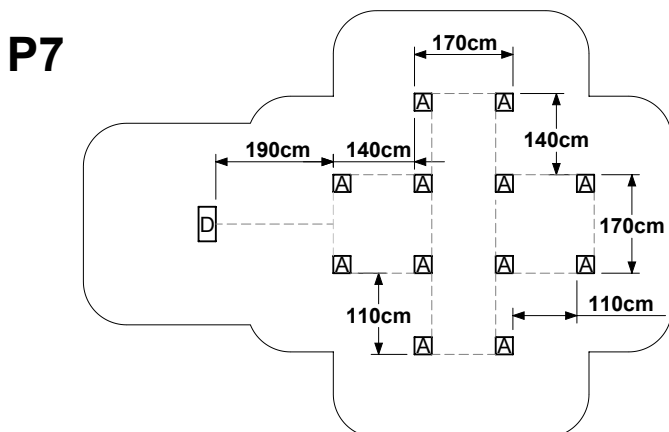
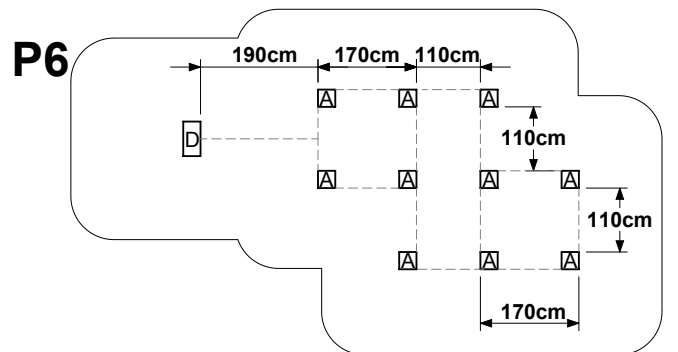
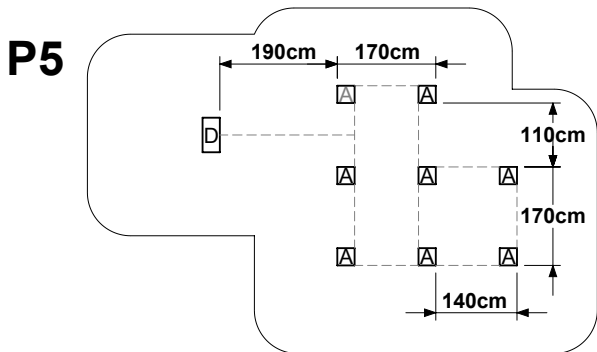
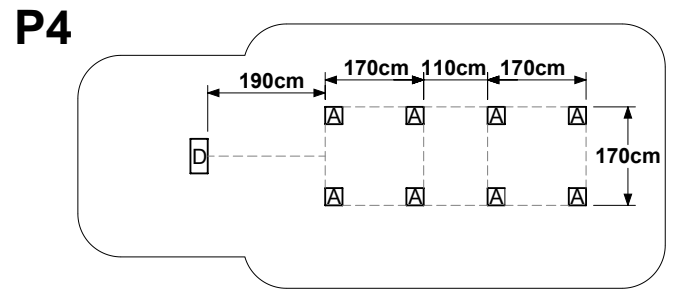
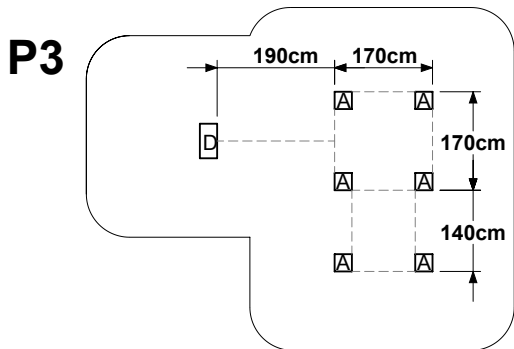
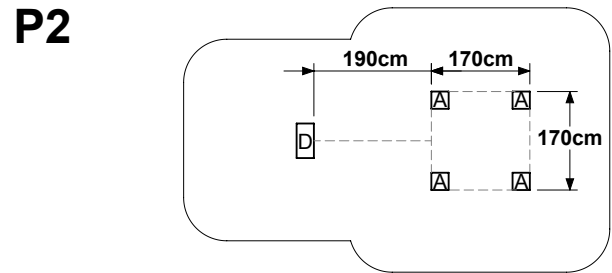
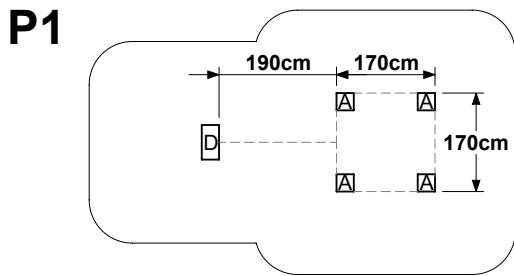
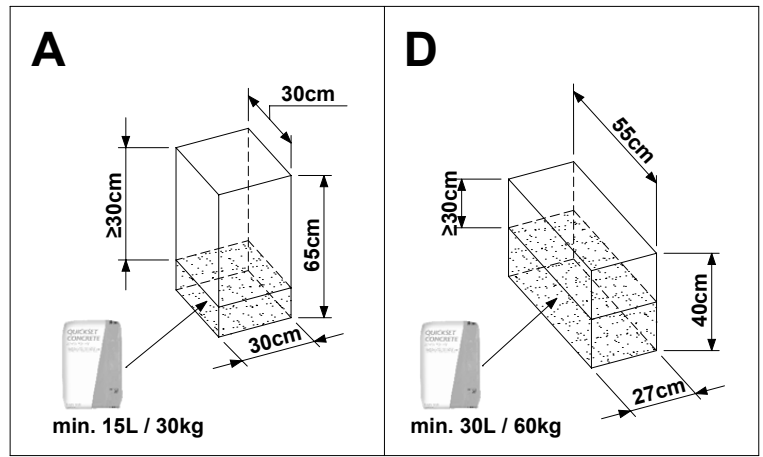
FUNDAMENTAL PLAN HY-LAND - P-SERIES - 6-10-2022 - v3

4.1b

P SERIES
(Steel Slide)

Project

Steel Slide



FUNDAMENT PLAN HY-LAND - P-SERIES(Steel Slide) - 6-10-2022 - v3

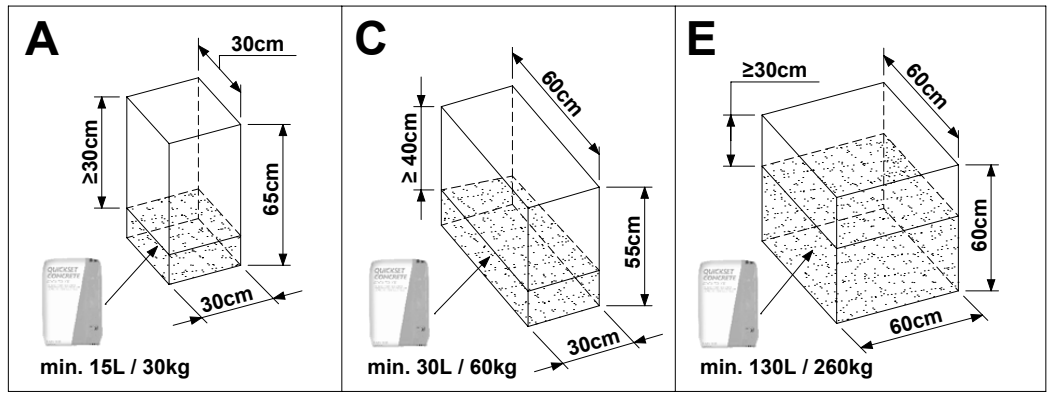
4.2a

Ps SERIES (HDPE Slide)

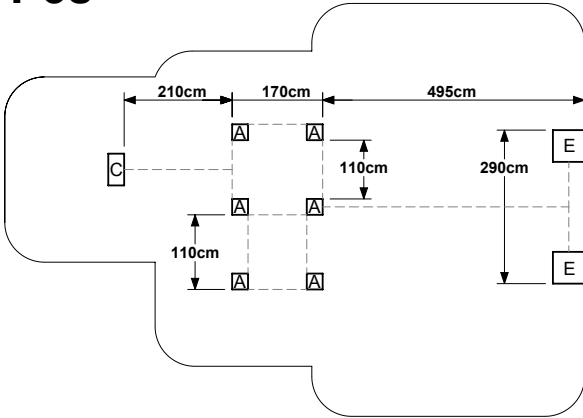
Project

HDPE Slide

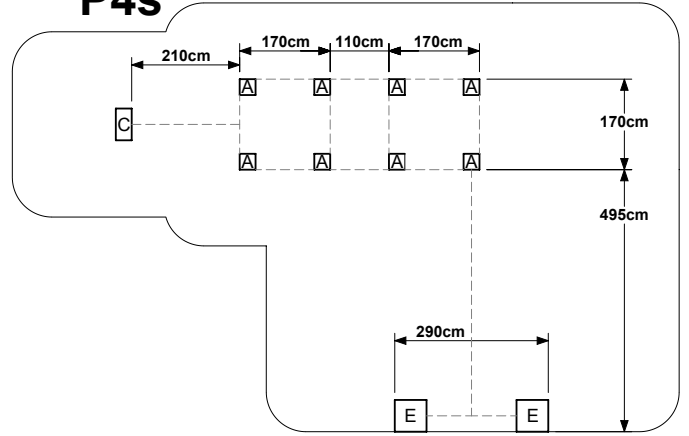
Swing Module



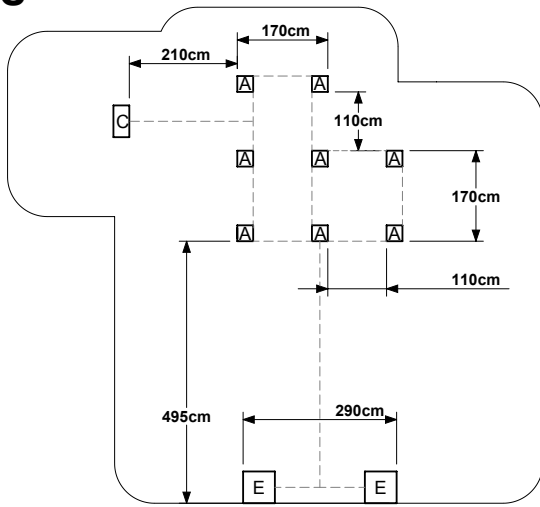
P3s



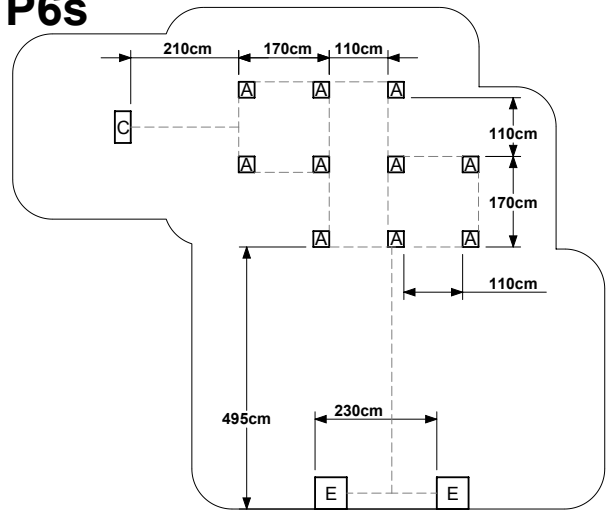
P4s



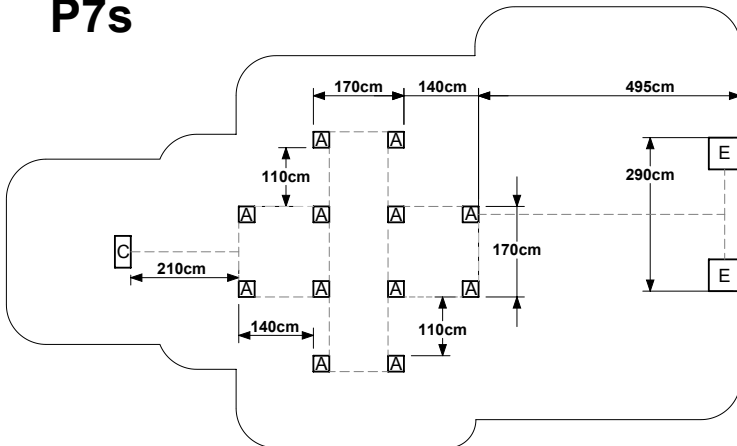
P5s



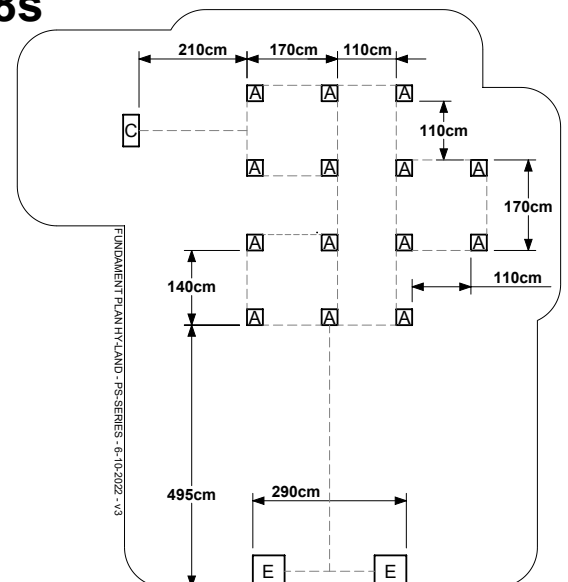
P6s



P7s



P8s



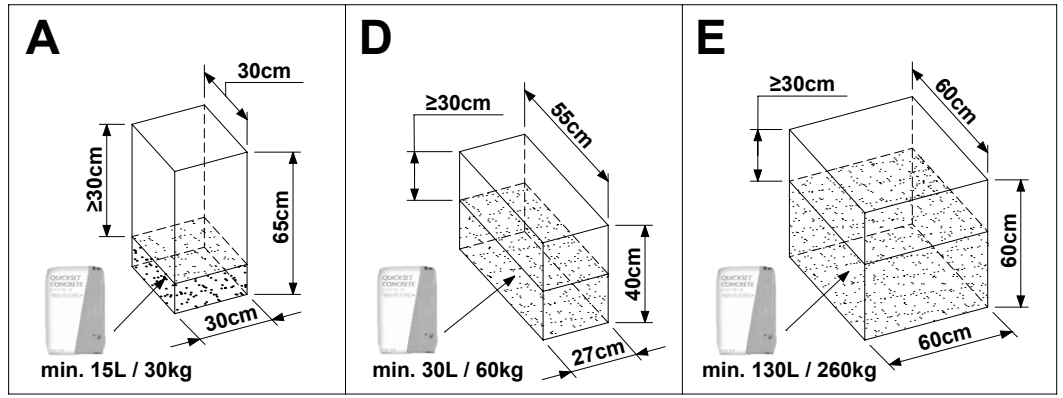
4.2b

Ps SERIES (Steel Slide)

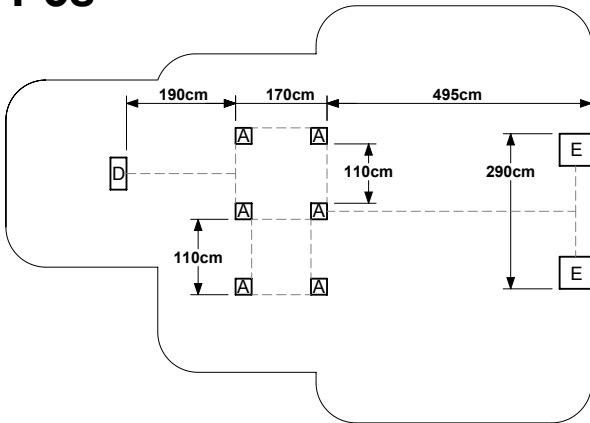
Project

Steel Slide

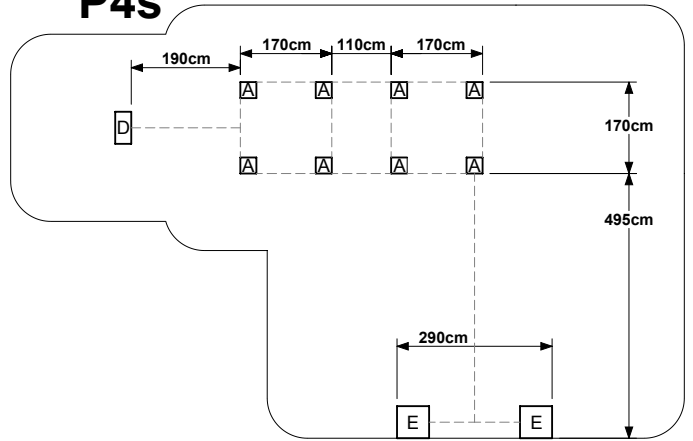
Swing Module



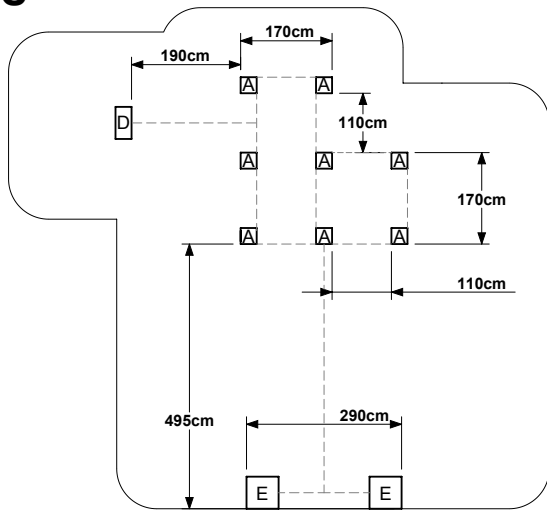
P3s



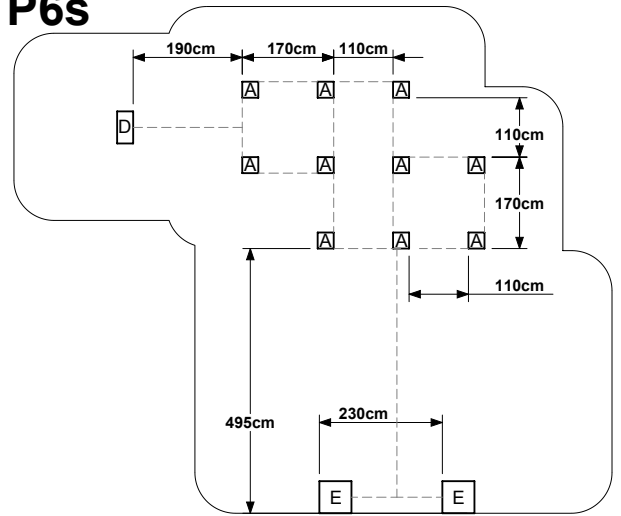
P4s



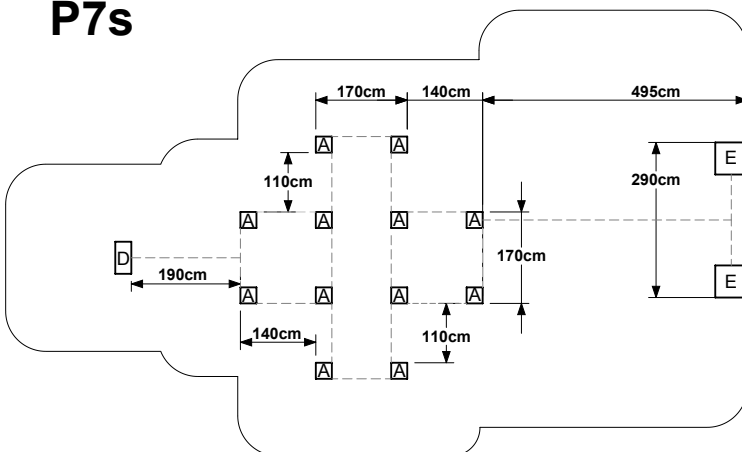
P5s



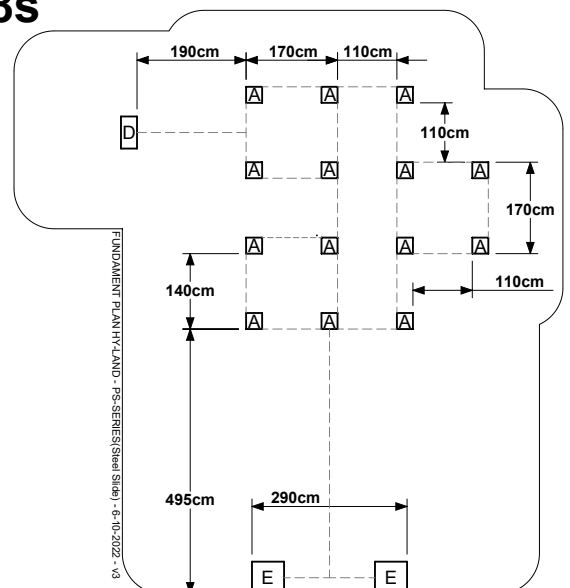
P6s



P7s

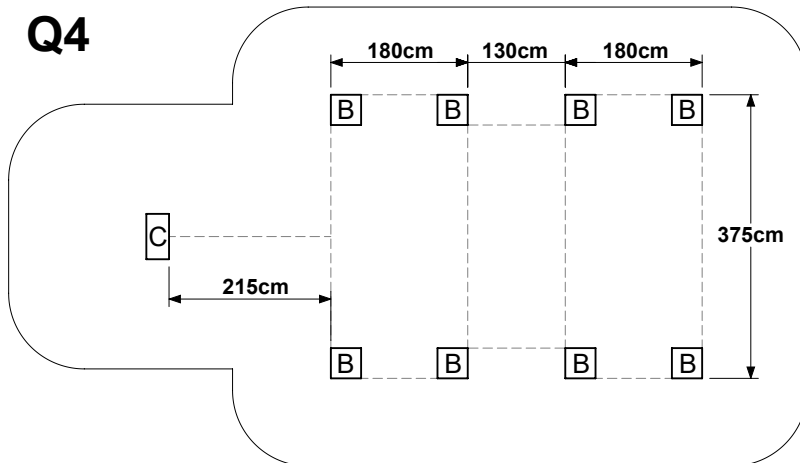
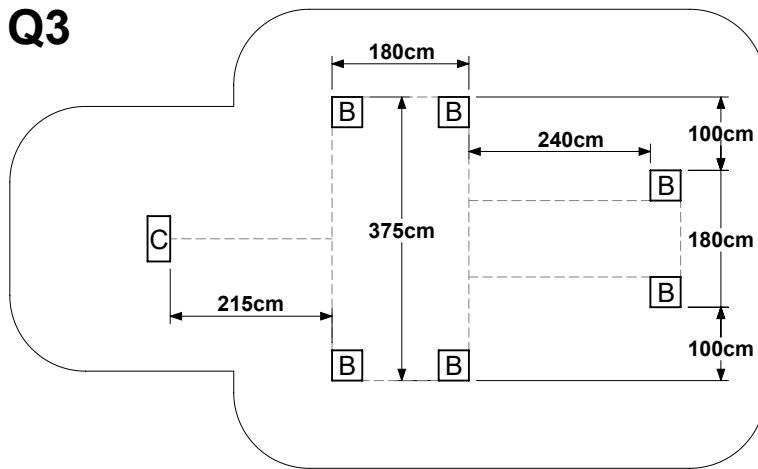
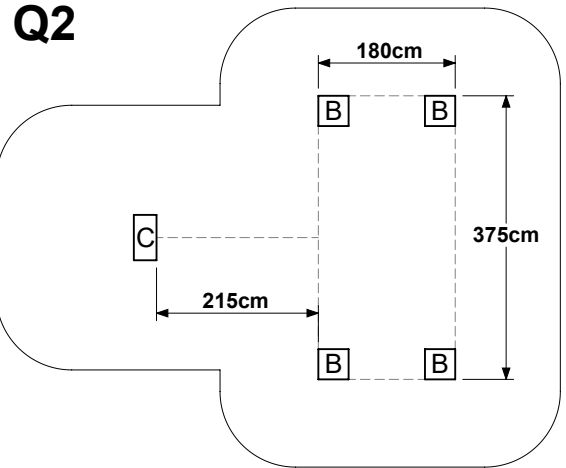
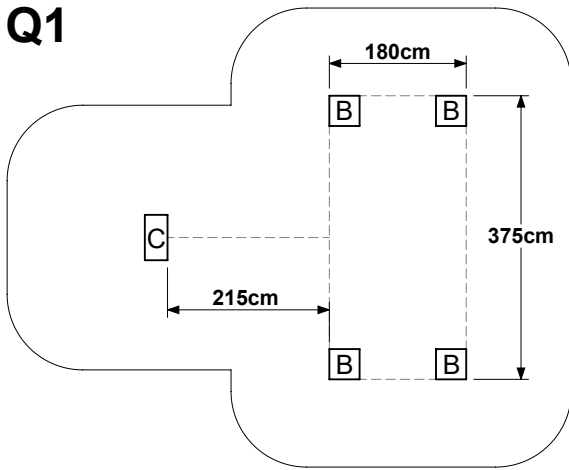
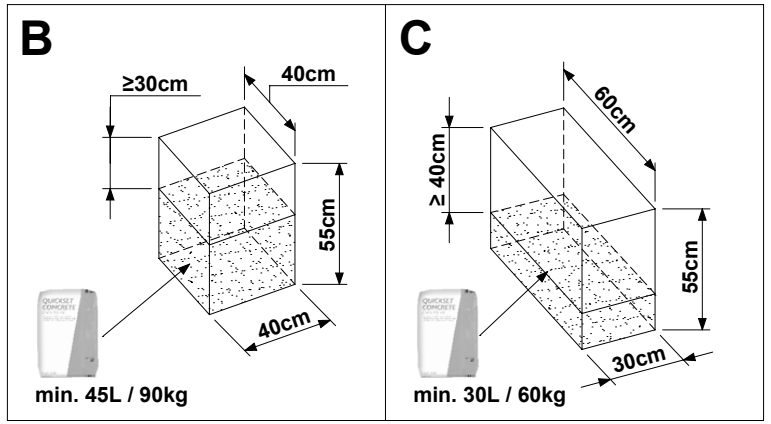


P8s



4.3a

Q SERIES
(HDPE Slide)



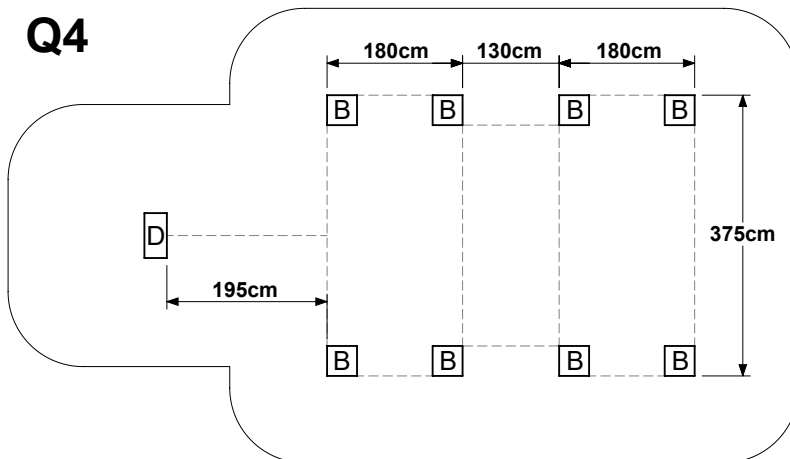
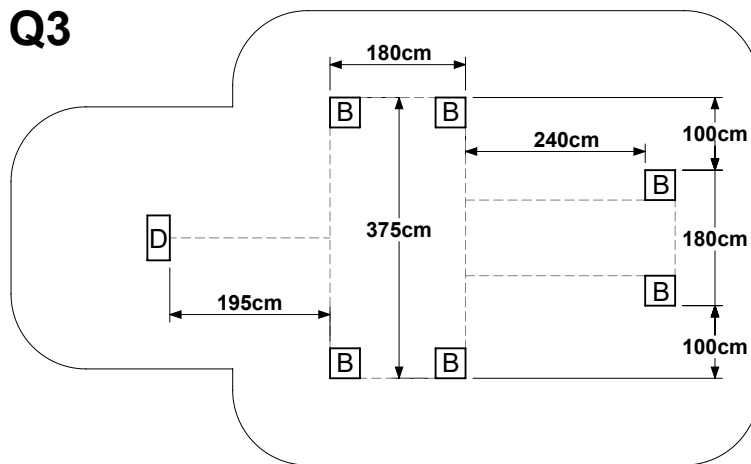
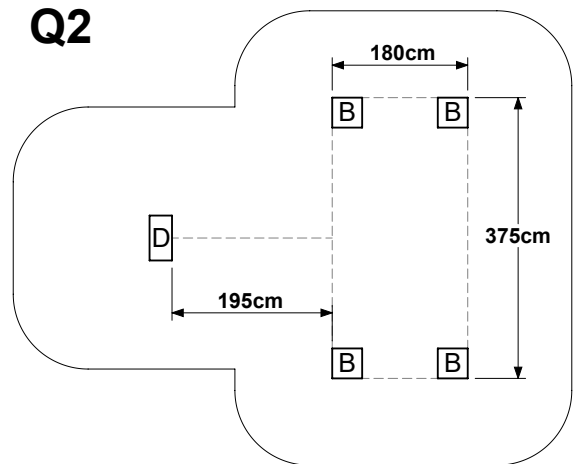
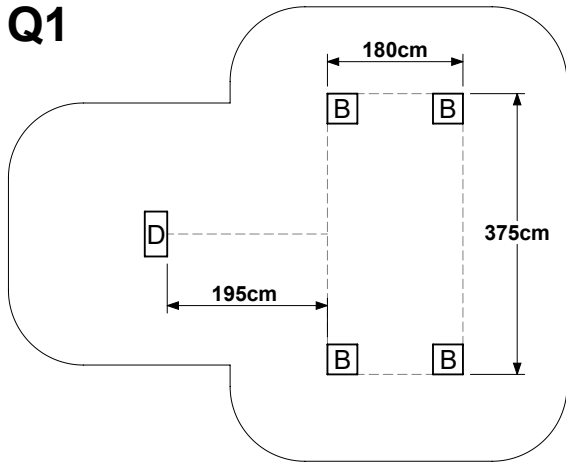
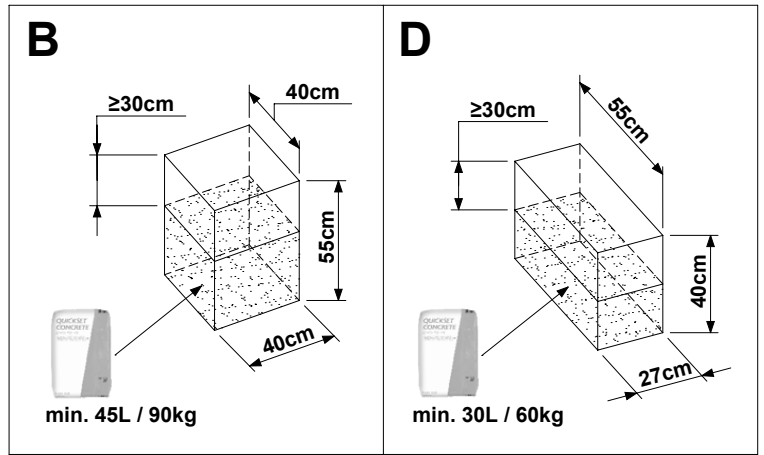
FUNDAMENT PLAN HY-LAND - Q-series - 6-10-2022 - v3

4.3b

Q SERIES
(Steel Slide)

Project

Steel Slide



FUNDAMENT PLAN HY-LAND - Q-series (Steel slide) - 6-10-2022 - v3

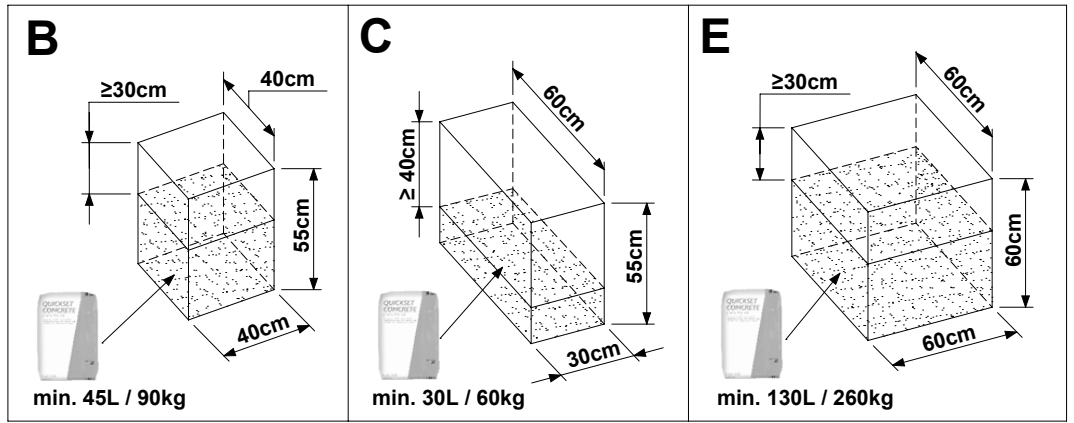
4.4a

Qs SERIES
(HDPE Slide)

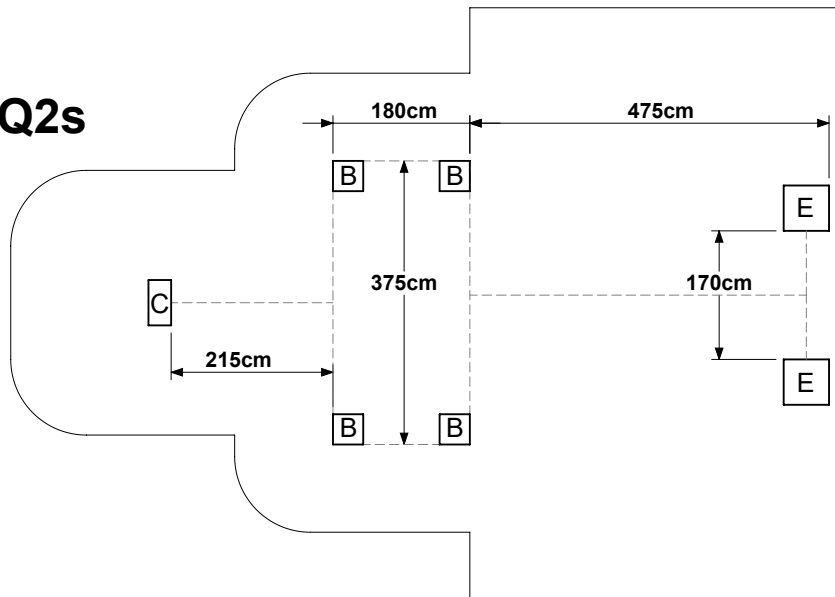
Project

HDPE Slide

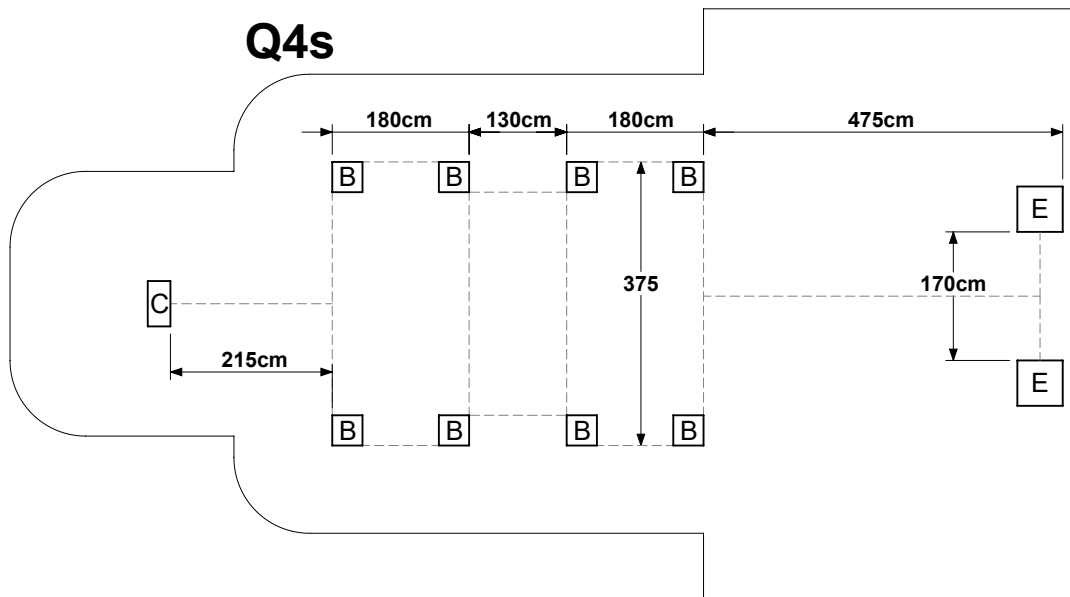
Swing Module



Q2s



Q4s



FUNDAMENT PLAN HY-LAND - QS-series - 6-10-2022 - v3

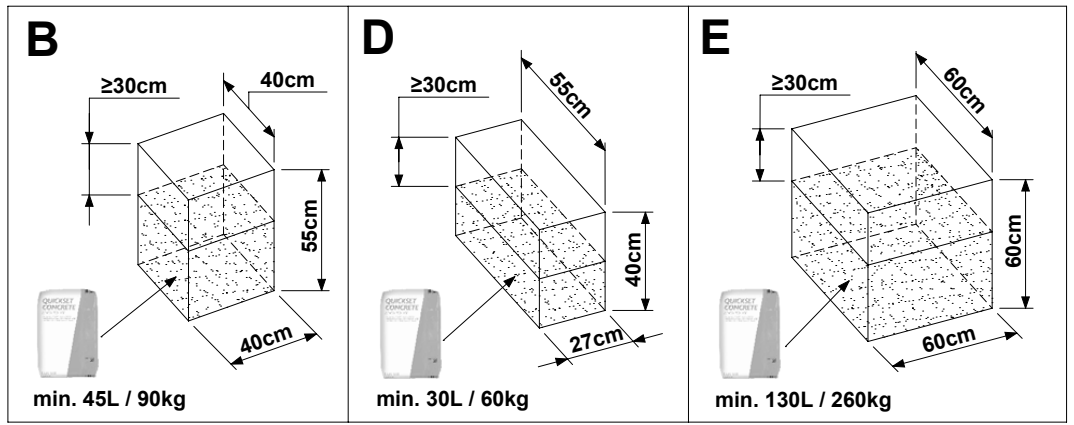
4.4b

Qs SERIES
(Steel Slide)

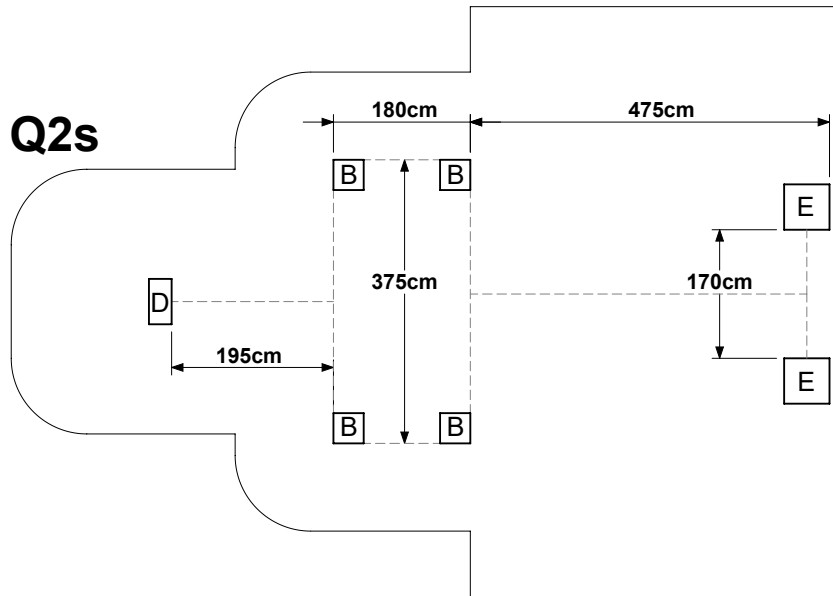
Project

Steel Slide

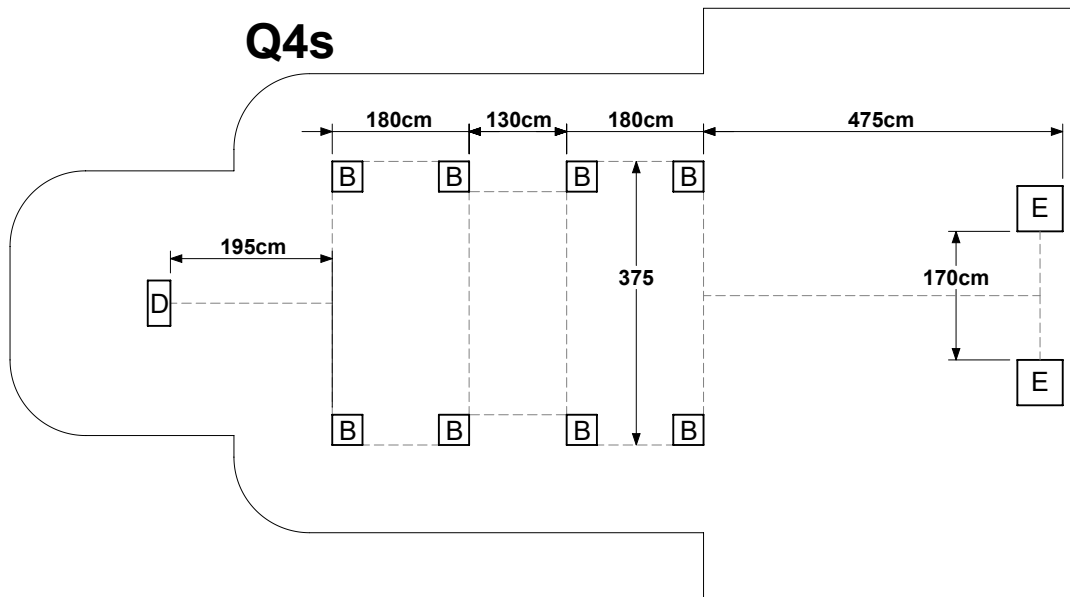
Swing Module



Q2s



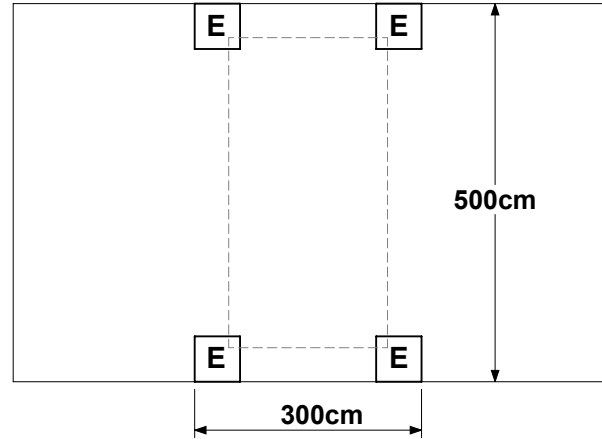
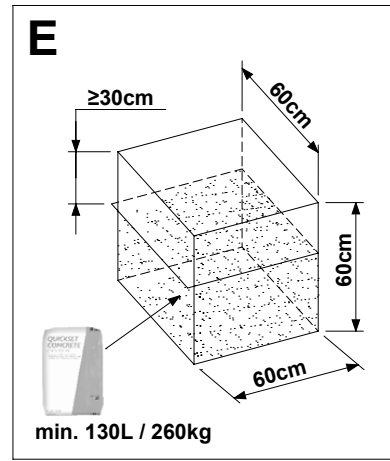
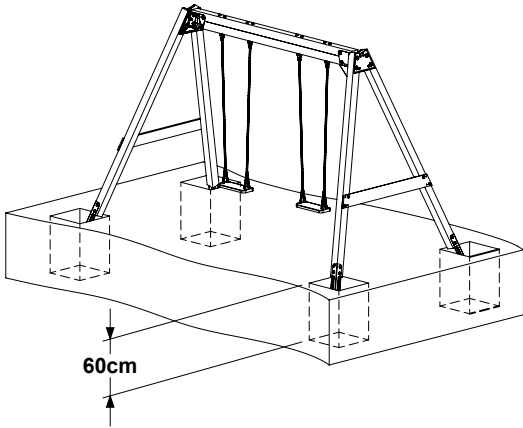
Q4s



FUNDAMENT PLAN HY-LAND - QS-series(Steel slide) - 6-10-2022 - v3

4.5

Classic Swing Set



Hy-land B.V.
 Valschermkade 18
 NL - 1059 CD Amsterdam
 The Netherlands

Tel: +31 85 444 41 01
 Email: info@hy-land.eu
 URL: www.hy-land.eu

Chamber of Commerce :
 NL 16.078.319



HY-LAND[®]
 PROFESSIONAL PLAYGROUNDS