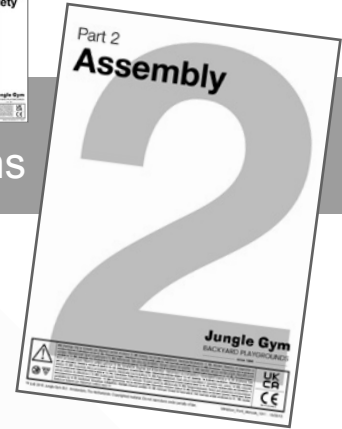


Part 2

Assembly

Instructions



Config ID: bipkB2
 Product Name: Jungle Steamboat
 Product ID: 211532
 Manual ID: 2711








Jungle Gym
 BACKYARD PLAYGROUNDS

since 1988

Watch in 3D



| | | |
|--|--|--|
| <p>Assembly time 13.5 hours by 2 adults</p>  |  <p>EN. Warnings. Only for domestic use. Maximum number of users is 5. DE. Achtung. Nur für den Hausgebrauch. Maximale Benutzerzahl: 5. FR. Attention. Réserve à un usage familial. Le nombre maximal d'utilisateurs est de 5. NL. Waarschuwingen. Uitsluitend voor huishoudelijk gebruik. Het maximale aantal gebruikers is 5. BG. Внимание. За употреба само в домашни условия. Максималният брой потребители е 5. CS. Varování. Jen pro domácí použití. Maximální počet uživatelů je 5. DA. Advarsler. Kun til privat brug. Maksimum antal brugere er 5. EL. Προειδοποιήσεις. Μόνο για οικιακή χρήση. Μέγιστος αριθμός χρηστών 5. ES. Advertencias. Solo para uso doméstico. Número máximo de usuarios: 5. ET. Hoiatused. Ainult koduseks kasutamiseks. Maksimaalne kasutajate arv on 5. FI. Varoitukset. Ainoastaan kotikäyttöön. Käyttäjää yhteensä enintään 5. HR. Upozorenja. Samo za kućansku uporabu. Maksimalan broj korisnika je 5. HU. Figyelmeztetések. Csak otthoni használatra! A használók max. száma: 5. IS. Varnaðarorð. Eingöngu fyrir einkanothkun í heimahúsum og á einkalóðum. Hámarksfjöldi notenda er 5. IT. Avvertenze. Solo per uso domestico. Massimo numero di utenti è 5. LT. Įspėjimai. Tik buitiniam naudojimui. Maksimalus naudotojų skaičius 5. LV. Brīdinājumi. Izmantot tikai mājās. Maksimālais lietotāju skaits ir 5. NO. Advarsler. Kun for privat bruk. Maksimalt antall brukere er 5. PL. Ostrzeżenia. Wyłącznie do użytku domowego. Maksymalna liczba użytkowników to 5. PT. Avisos. Apenas para uso doméstico. O número máximo de utilizadores é 5. RO. Avertismente. Numai pentru uz domestic. Numărul maxim de utilizatori este 5. RU. Предостережения. Только для домашнего использования. Максимальное количество пользователей - 5. SK. Upozornenia. Iba na domáce použitie. Maximálne množstvo osôb je 5. SL. Opozorila. Samo za domačo uporabo. Maksimalno število uporabnikov je 5. SR. Upozorenja. Samo za kućnu upotrebu. Maksimalan broj korisnika je 5. SV. Varningar. Endast för hemmabruk. Det maximala antalet användare är 5. TR. Uyarılar. Sadece ev kullanımı için. Maksimum kullanıcı sayısı 5.</p> |  <p>EN 71-1,2,3,6,8-9</p>   |
|--|--|--|

1 Helpdesk JungleGym

FAQ & Support



English



Deutsch



Français



Nederlands



info@junglegym.com



EU 0031 85 44 44 100

AT 0043 72 08 153 33

BE 0032 78 48 16 19

CH 0041 43 50 87 350

DE 0049 32 22 10 98 299

ES 0034 657 76 64 25

FR 0033 97 75 58 222

IE 0035 38 1800 0300

LU 0035 22 08 80 512

NL 0031 85 44 44 102

UK 0044 20 369 505 53

Monday-Friday,

CET 9:00am - 5:00pm

Local phone charges may apply.

2 Start

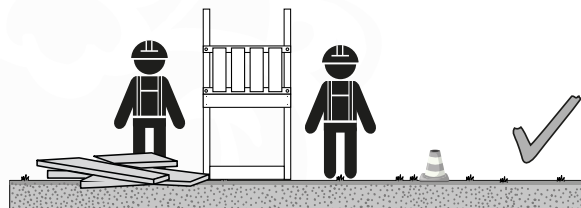
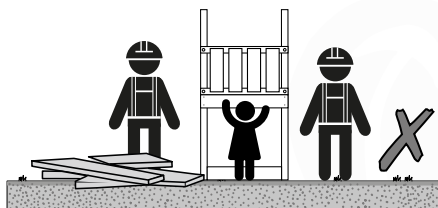
2.1 Safety



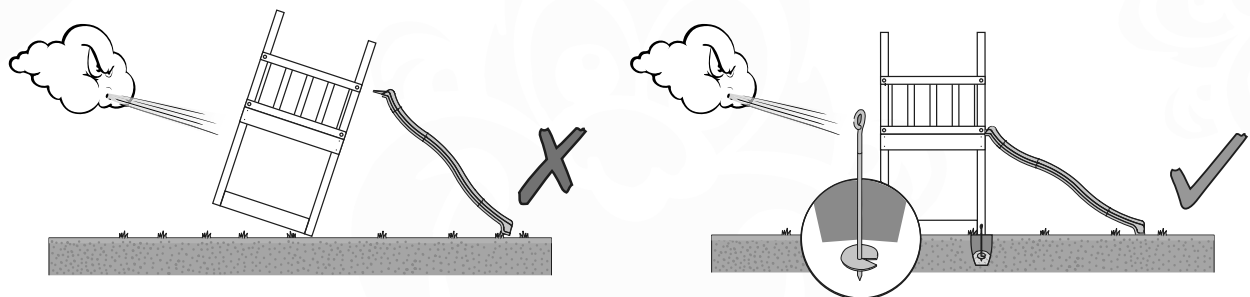
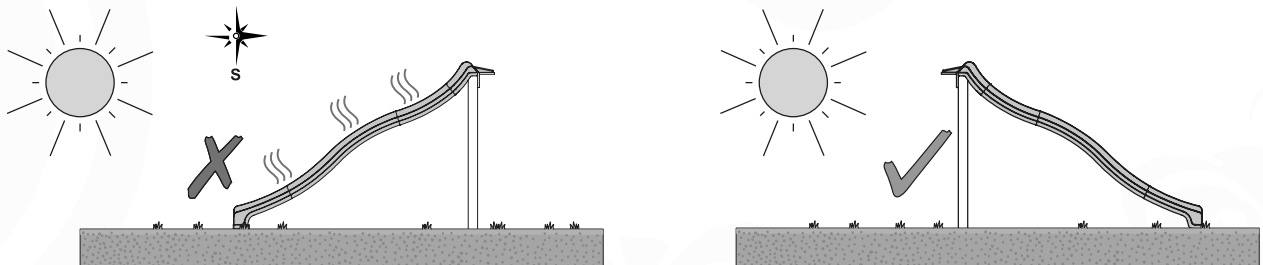
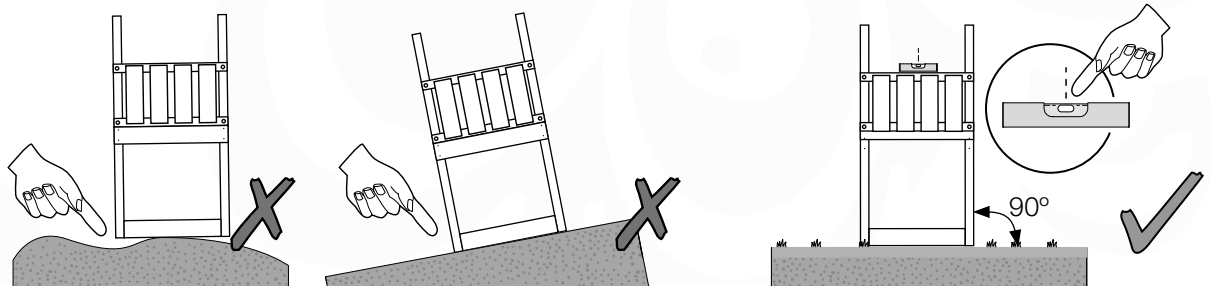
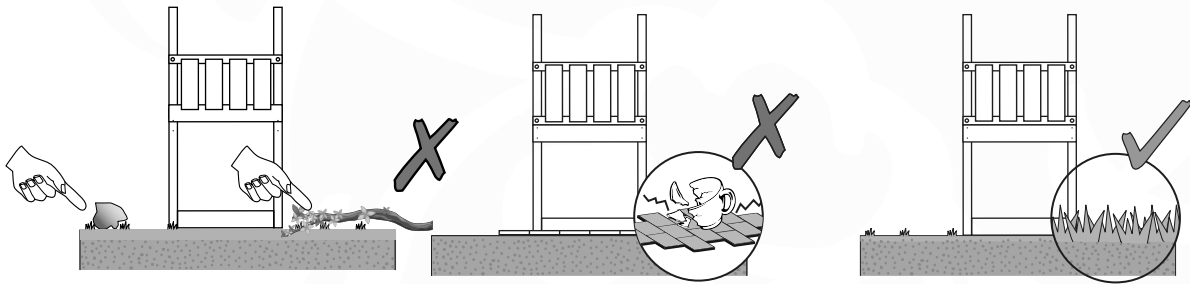
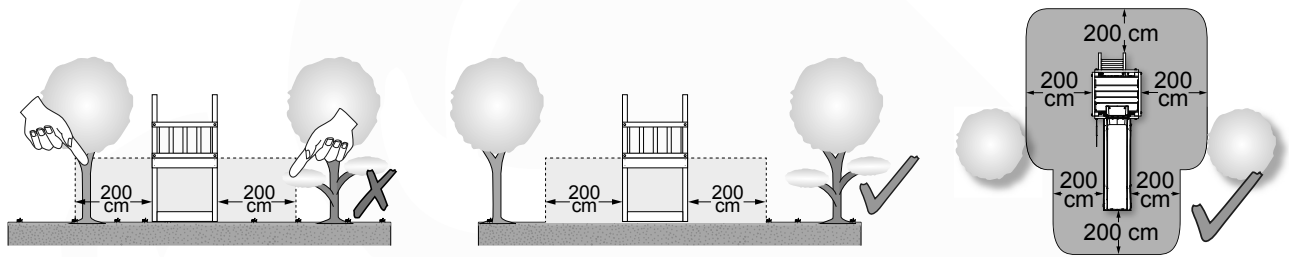
Download

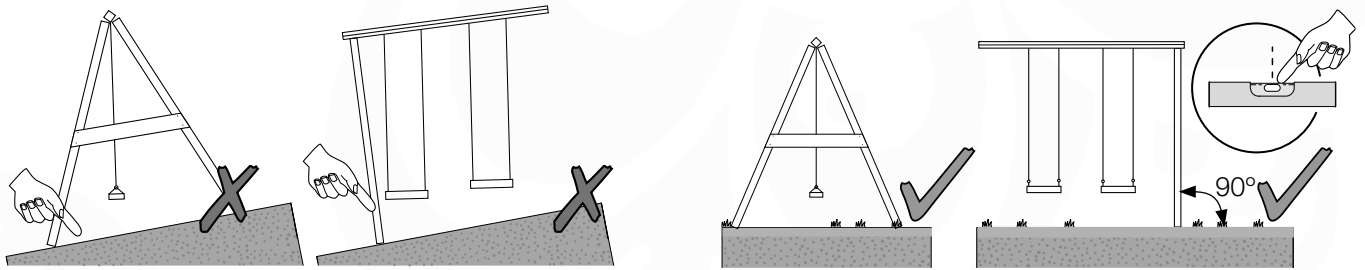
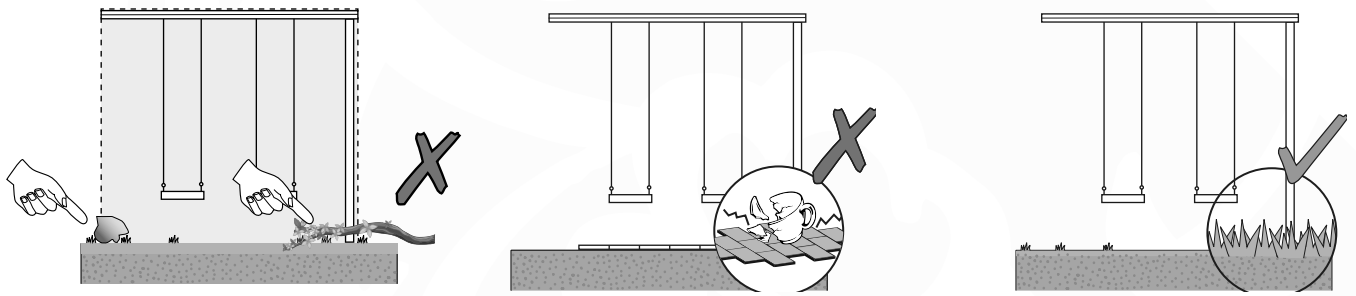
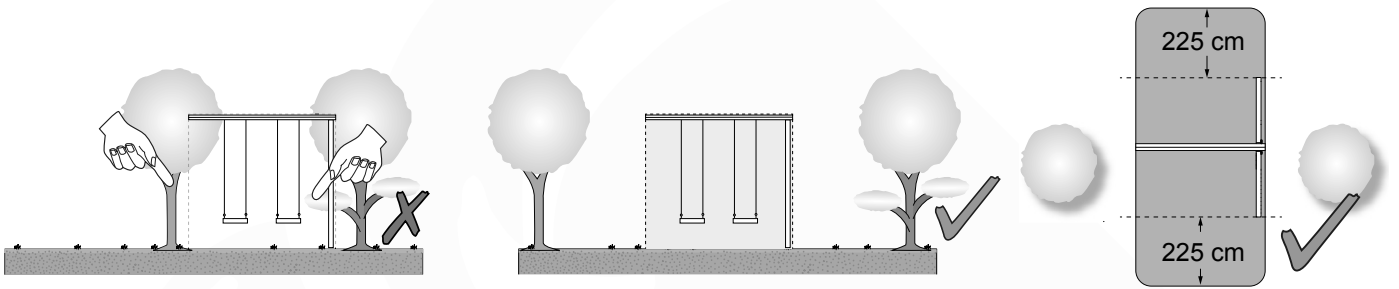


Part 1

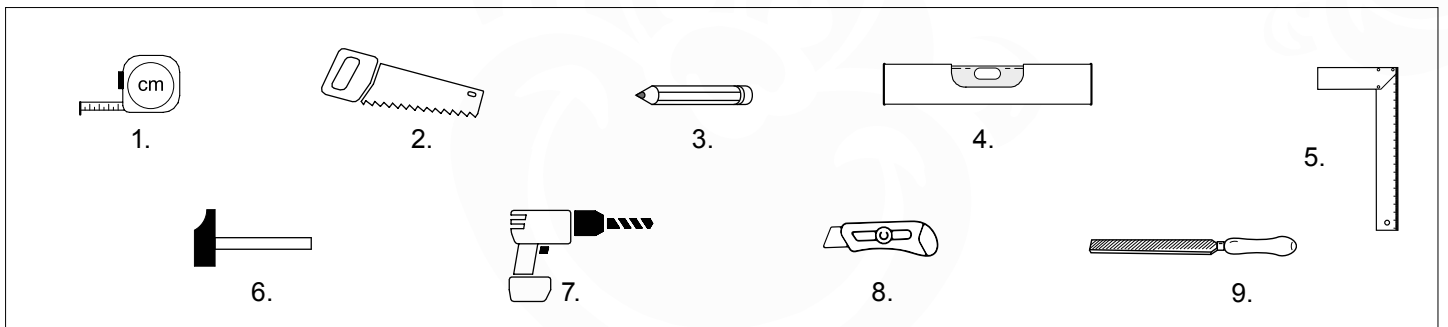


2.2 Planning

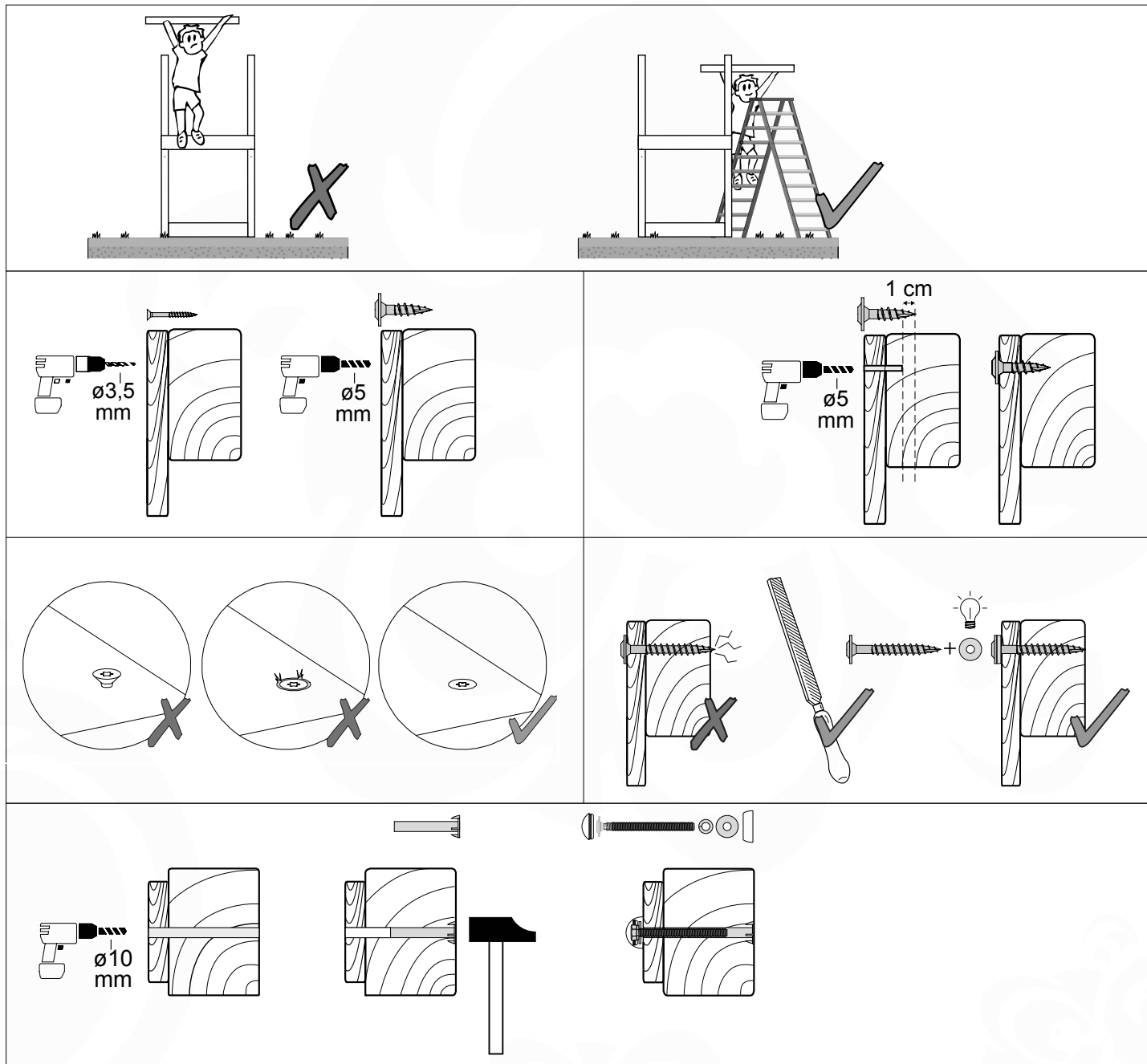




2.3 Tools



2.4 Assembly



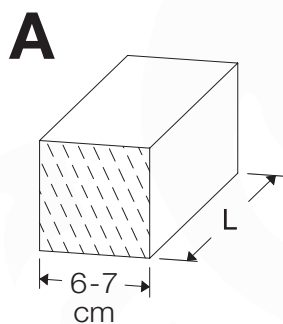
3 Overview

3.1 Order specification

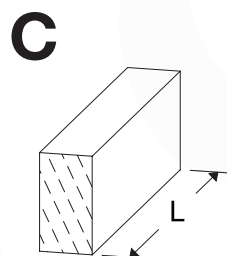


| # | Description | Supplier ID | Assembly ID |
|---|----------------------------|-------------|-------------|
| 1 | Base Tower 80_220220_125 | 790_003 | BT03a |
| 1 | Extension Tower 80_200_125 | 790_101 | ET01a |
| 1 | Extension Tower 80_220_125 | 790_102 | ET02a |
| 1 | Roof Canvas Tipi 80 | 790_203 | RF03a |
| 2 | Balustrade 80_ U | 790_301 | BL01a |
| 2 | Balustrade 80_ T | 790_301 | BL02a |
| 1 | Playhouse 80 T-Low Wall | 790_311 | PH64a |
| 2 | Playhouse 80 U-Low Window | 790_313 | PH65a |
| 1 | TwoStep Ladder 80_125 U | 790_411 | TS01a |
| 1 | Rope ladder 80_220_125 U L | 790_421 | RL01a |
| 1 | Ramp 80 T | 790_441 | RA04a |
| 2 | Boat Front 80 | 790_501 | BO01a |
| 1 | Slide Frame 80_125 U | 790_901 | SL01a |
| 1 | Accessories Set | 194_119 | AC01a |
| 1 | Wavy Star Slide XL | 324_x00a | 324_x00a |

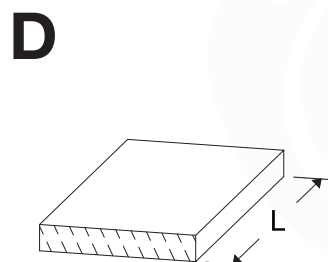
3.2 Timber parts



| ID | L | # |
|------|-----------------|---|
| A123 | 122 cm - 123 cm | 1 |
| A200 | 199 cm - 200 cm | 2 |
| A220 | 219 cm - 220 cm | 6 |



| | | |
|------|-----------------|----|
| C37 | 36 cm - 37 cm | 4 |
| C74 | 73 cm - 74 cm | 21 |
| C114 | 113 cm - 114 cm | 1 |
| C154 | 153 cm - 154 cm | 2 |

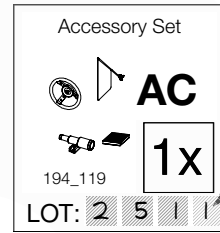


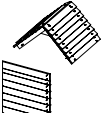

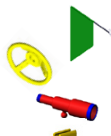

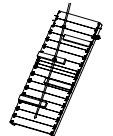
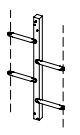
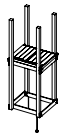
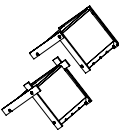
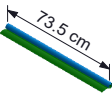

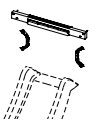
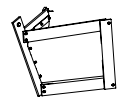

| | | |
|-----|-----------------|----|
| D47 | 46 cm - 47 cm | 1 |
| D56 | 53,5 cm - 56 cm | 2 |
| D60 | 59 cm - 60 cm | 54 |
| D65 | 64 cm - 65 cm | 16 |
| D74 | 73 cm - 74 cm | 57 |

4.3 Assembly packs



Example



| | | | | |
|--|---|---|--|--|
| <p>Roof Timber 80 / Wall Panel</p>  <p>RF PH</p> <p>194_111</p> <p>1x</p> <p>LOT: [][][][]</p> | <p>Hardware 01</p>  <p>BL H01</p> <p>194_101</p> <p>4x</p> <p>LOT: [][][][]</p> | <p>Accessory Set</p>  <p>AC</p> <p>194_119</p> <p>1x</p> <p>LOT: [][][][]</p> | <p>Balustrade 140</p>  <p>BL</p> <p>194_501</p> <p>2x</p> <p>LOT: [][][][]</p> | <p>Ramp</p>  <p>RA</p> <p>194_008</p> <p>1x</p> <p>LOT: [][][][]</p> |
| <p>Two Step Ladder 80</p>  <p>TS</p> <p>194_102</p> <p>1x</p> <p>LOT: [][][][]</p> | <p>Tower 80</p>  <p>BT ET</p> <p>194_100</p> <p>3x</p> <p>LOT: [][][][]</p> | <p>Roof Canvas Gable & Tipi 80</p>  <p>RF</p> <p>194_108</p> <p>1x</p> <p>LOT: [][][][]</p> | <p>Canvas 136 x 74cm</p>  <p>73.5 cm</p> <p>123_220</p> <p>3x</p> <p>LOT: [][][][]</p> | <p>Slide XL 2.2m</p>  <p>1x</p> <p>324_x00</p> <p>LOT: [][][][]</p> |
| <p>Slide Frame</p>  <p>SL</p> <p>194_107</p> <p>1x</p> <p>LOT: [][][][]</p> | <p>Boat Front</p>  <p>BO</p> <p>194_114</p> <p>2x</p> <p>LOT: [][][][]</p> | <p>Rope Ladder</p>  <p>RL</p> <p>194_115</p> <p>1x</p> <p>LOT: [][][][]</p> | | |

4.4 Your config ID: **bipkB2**

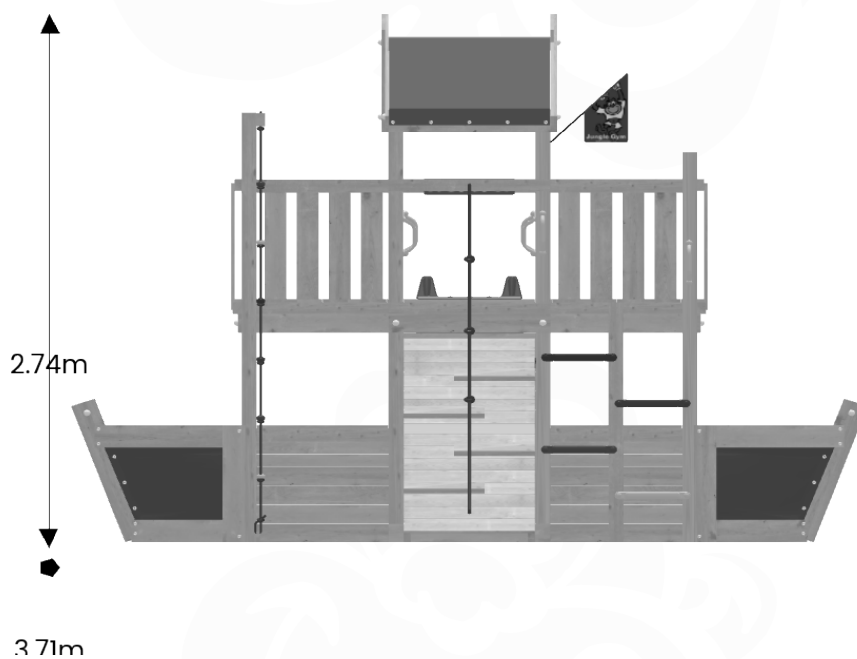
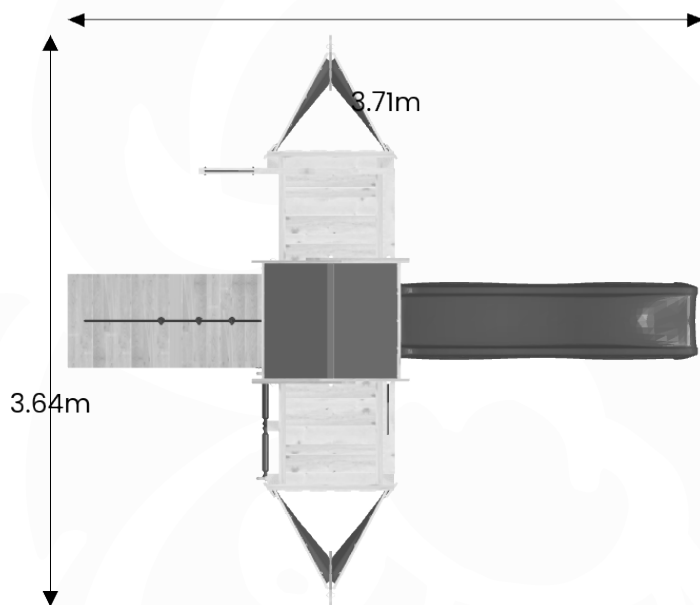


5 Hardware Identification

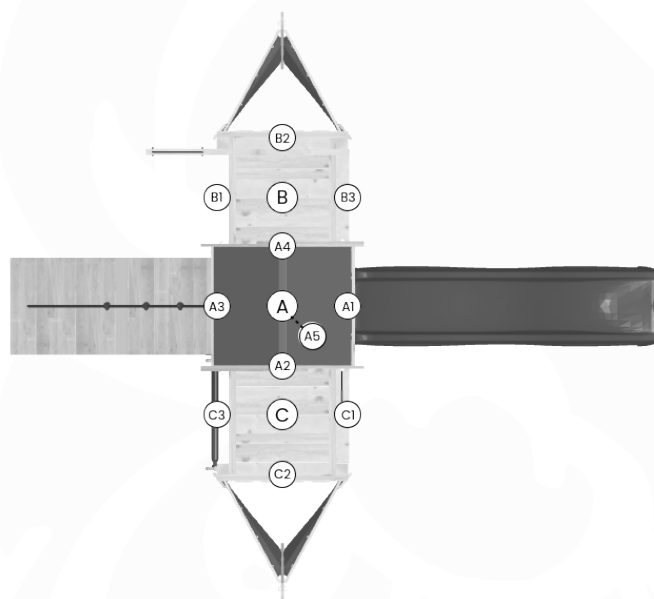
| | | SKU | | L | | | |
|--|--|---------|--------|---------|---------|---------|-------|
| | | 001_404 | 30 mm | | | | |
| | | 001_406 | 45 mm | | | 002_308 | 20 mm |
| | | 001_411 | 60 mm | | | 002_219 | 30 mm |
| | | 001_417 | 80 mm | | | 002_220 | 45 mm |
| | | 001_422 | 137 mm | | | 002_223 | 80 mm |
| | | 001_102 | 30 mm | | | | |
| | | | | | | 004_050 | 22mm |
| | | 000_101 | 20 mm | | | | |
| | | | | | | 003_010 | |
| | | 002_036 | 16 mm | | | | |
| | | | | | | 002_042 | 13 mm |
| | | 002_041 | 20 mm | | | | |
| | | | | | | 002_301 | 40 mm |
| | | | | | | | |
| | | | | 022_844 | 022_314 | | |
| | | | | 022_845 | Yellow | | |
| | | | | 022_846 | Blue | | |
| | | | | 022_847 | Green | | |
| | | | | 022_848 | Red | | |
| | | | | 023_031 | White | | |
| | | | | 120_005 | White | | |

output: 27/06/24

6 Dimensions



7 Assembly Planning



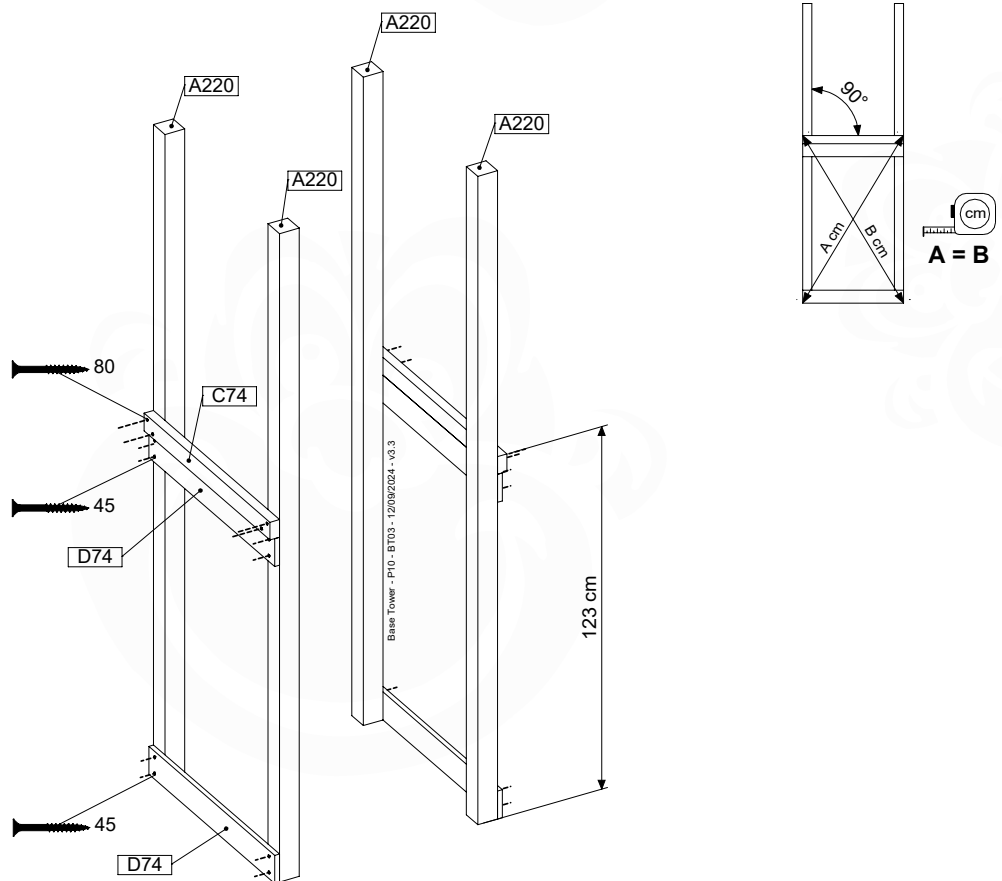
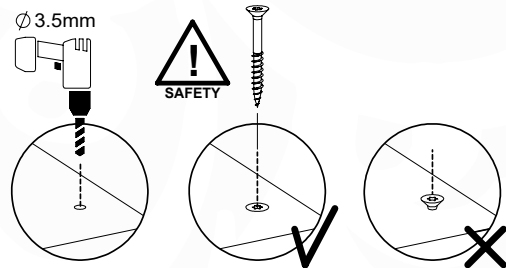
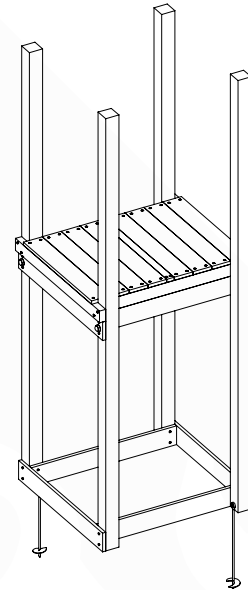
| | ID | | | A | B | C |
|----|-------|--|------|----|----|----|
| 1 | BT03a | | p.13 | ✓ | - | - |
| 2 | ET01a | | p.15 | - | - | ✓ |
| 3 | ET02a | | p.17 | - | ✓ | - |
| 4 | BL01a | | p.19 | - | B3 | C1 |
| 5 | BL02a | | p.20 | - | B2 | C2 |
| 6 | RF03a | | p.21 | A5 | - | - |
| 7 | TS01a | | p.25 | - | - | C3 |
| 8 | RL01a | | p.27 | - | B1 | - |
| 9 | BO01a | | p.30 | - | B2 | C2 |
| 10 | RA04a | | p.34 | A3 | - | - |
| 11 | PH64a | | p.38 | A1 | - | - |
| 12 | PH65a | | p.39 | - | B3 | C1 |
| 13 | SL01a | | p.40 | A1 | - | - |
| 14 | GA | | p.43 | ✓ | ✓ | ✓ |
| 15 | AC01a | | p.45 | A1 | - | - |

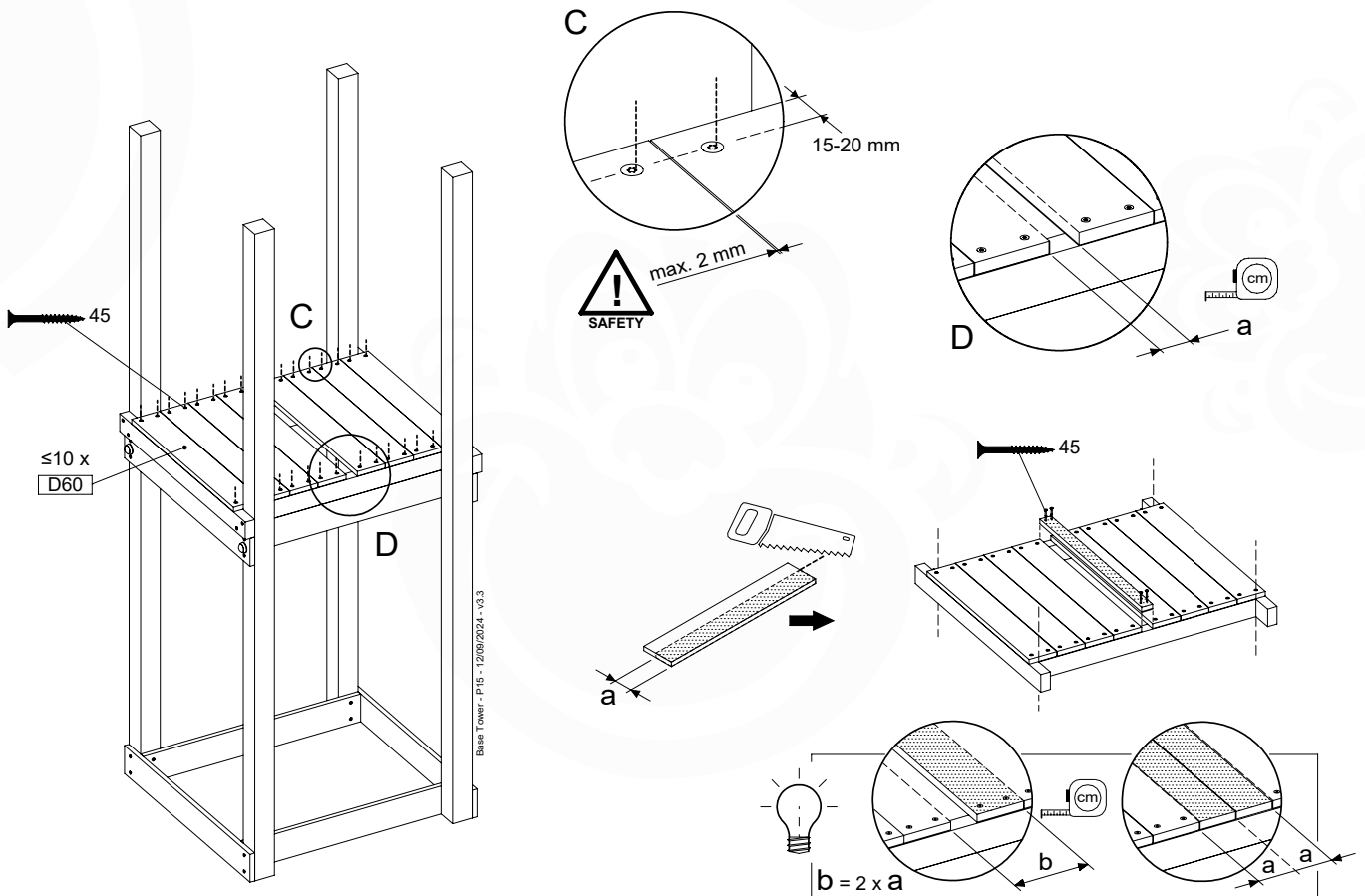
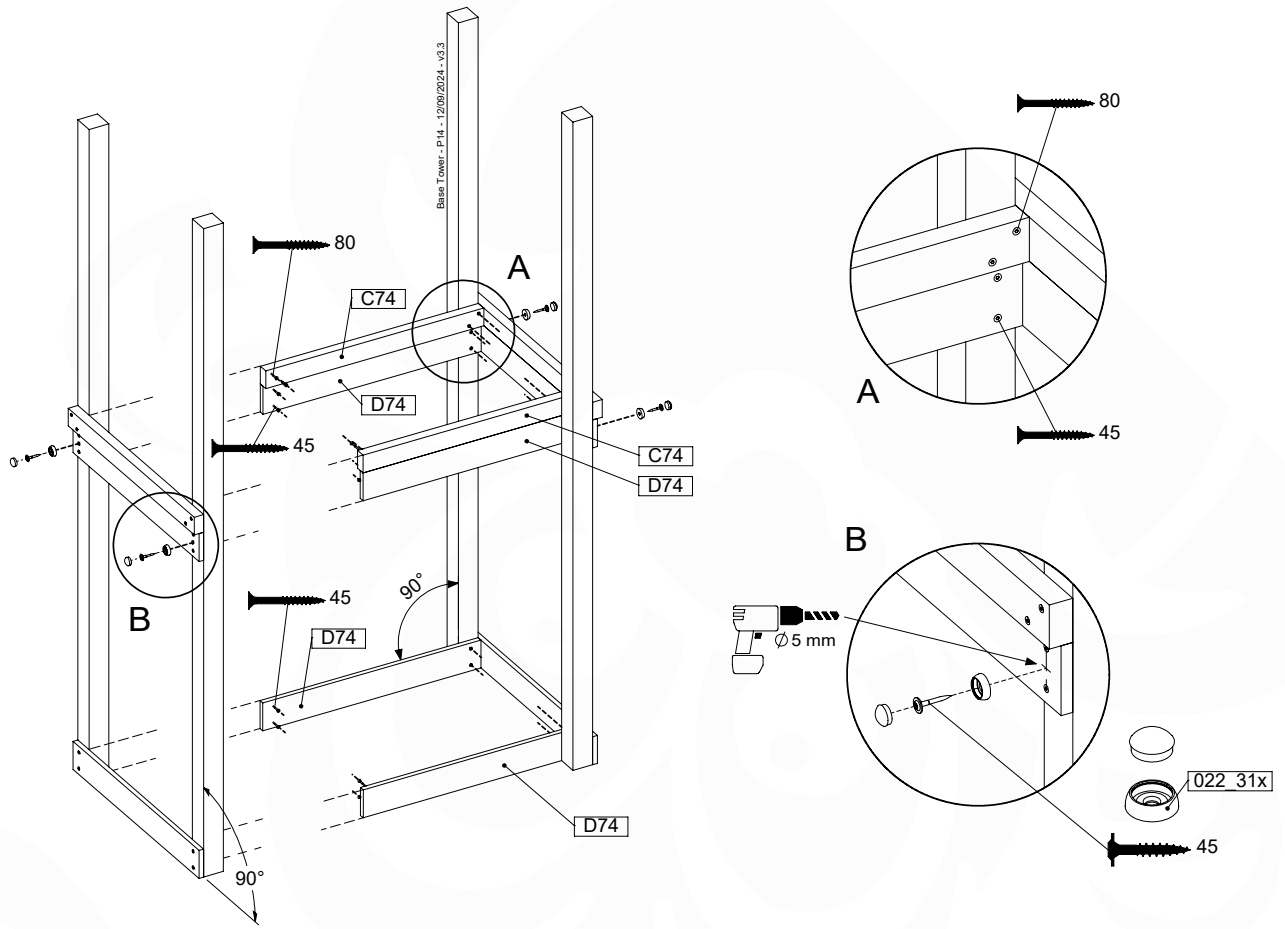
8 BT03a: Base Tower 80 125cm 220220

Assembly Pack: 194_100

| | PartNo | PartName | QTY. |
|------------------|---------|----------------------------|------|
| Hardware + Parts | 001_406 | Stealth Screw 8x45 | 6 |
| | 002_220 | Gap Point Screw T25 - 5x45 | 72 |
| | 002_223 | Gap Point Screw T25 - 5x80 | 16 |
| | 007_001 | Ground-anchor | 2 |
| | 022_31x | bpc-base version 3 | 4 |
| | 022_84x | bpc cover | 4 |
| Timber | A220 | Post ca.70x70 L2200 | 4 |
| | C74 | Beam 740 mm | 4 |
| | D60 | Board 600 mm | 10 |
| | D74 | Board 740 mm | 8 |

Base Tower - P10 - BT03 - 12082024 - v3.3



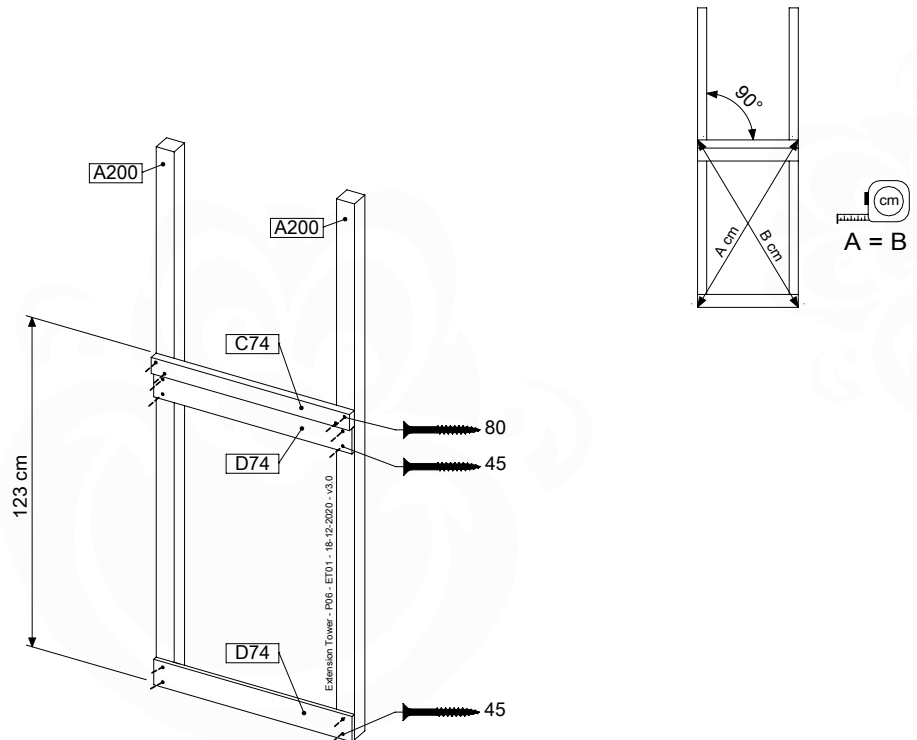
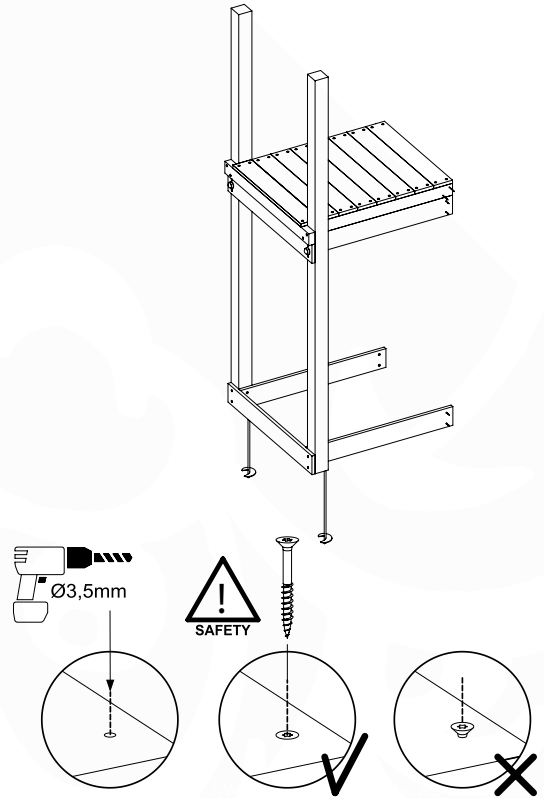


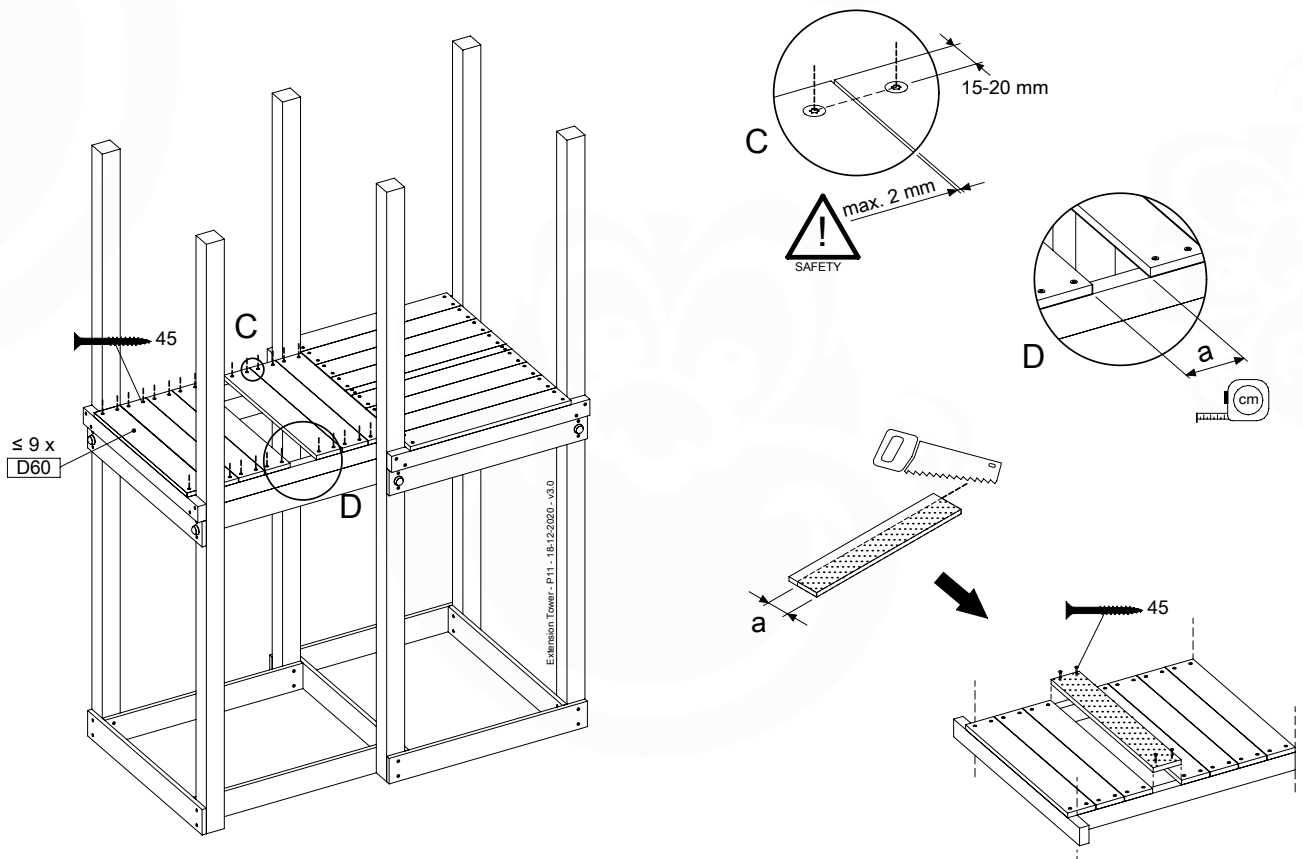
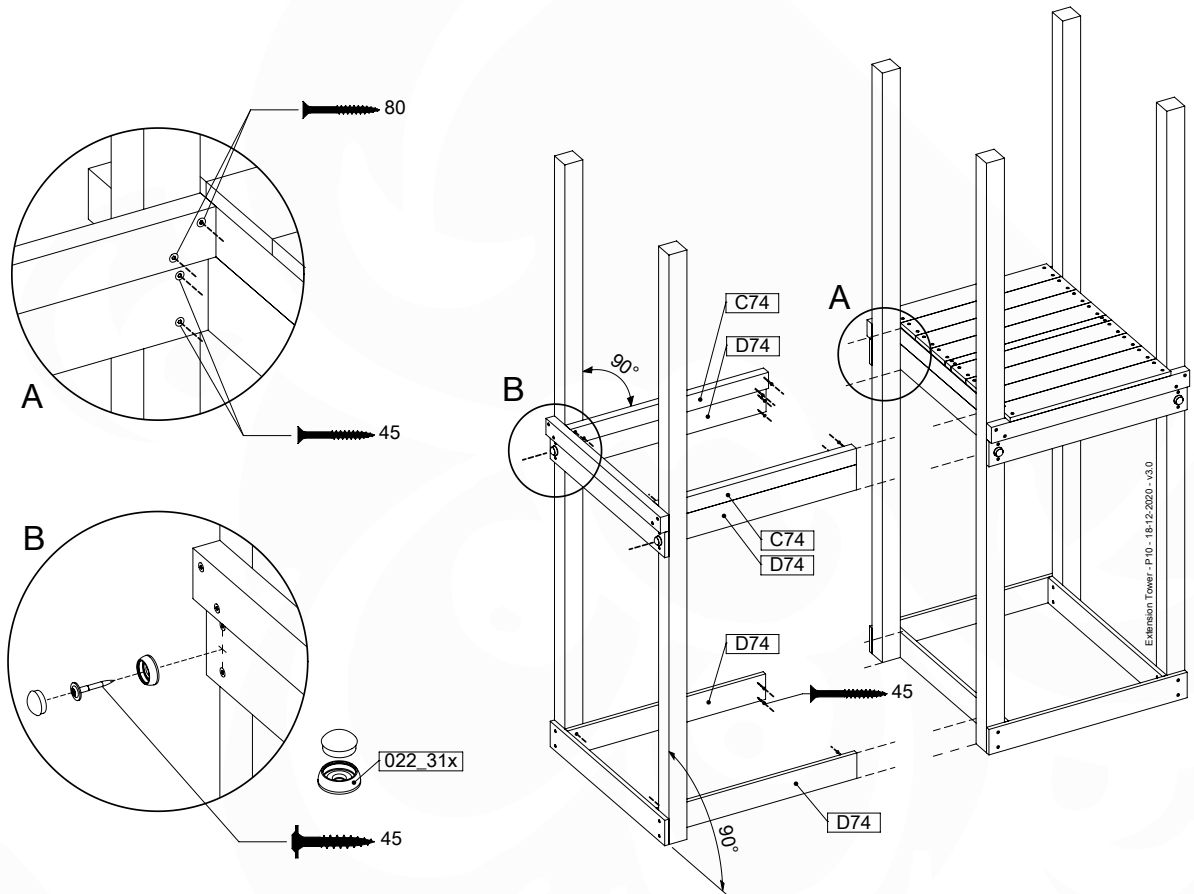
9 ET01a: Extension Tower 80 200/125

(194_100)

| | PartNo | PartName | QTY. |
|--------------------------|---------|----------------------------|------|
| Hardware Pack 100_600 | 001_406 | Stealth Screw 8x45 | 4 |
| | 002_220 | Gap Point Screw T25 - 5x45 | 60 |
| | 002_223 | Gap Point Screw T25 - 5x80 | 12 |
| Other | 007_001 | Ground-anchor | 2 |
| Hardware Pack 100_600 | 022_31x | bpc-base version 3 | 2 |
| | 022_84x | bpc cover | 2 |
| Wood | A200 | Post 70x70 L2000 | 2 |
| | C74 | Beam 740 mm | 3 |
| | D60 | Board 600 mm | 9 |
| | D74 | Board 740 mm | 6 |

Extension Tower - P06 - ET01 - 18-12-2020 - v3.0



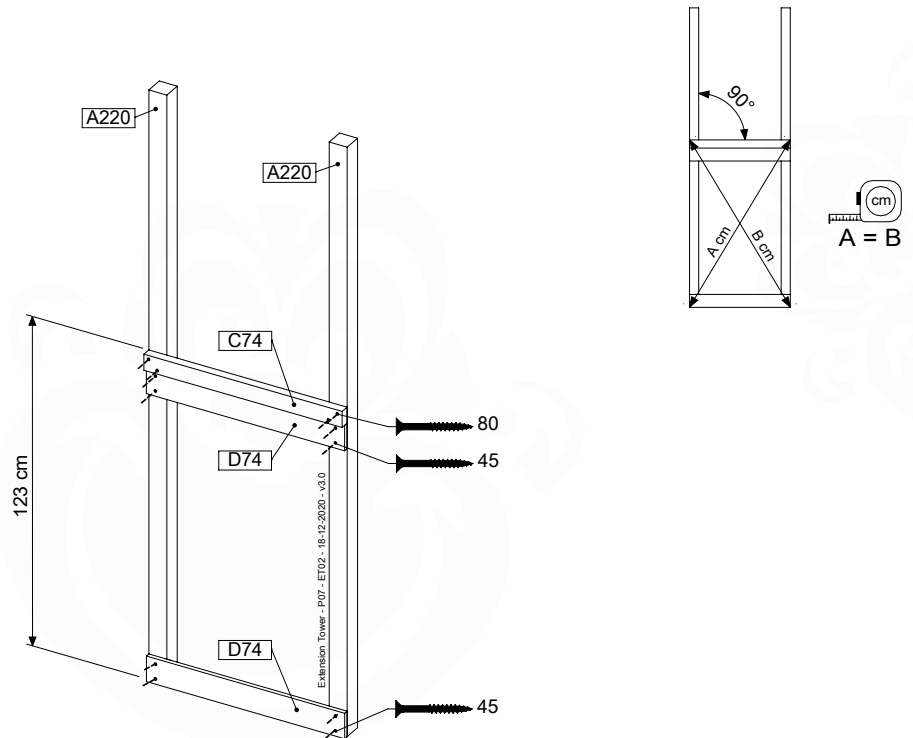
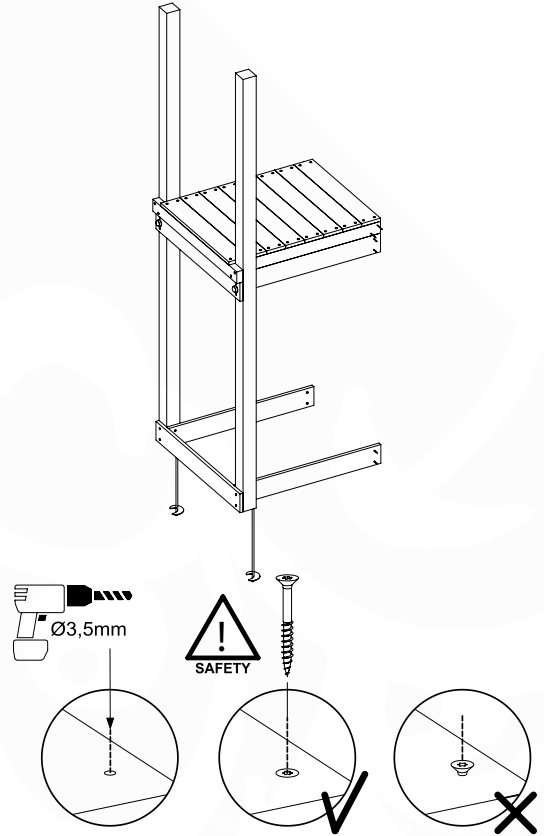


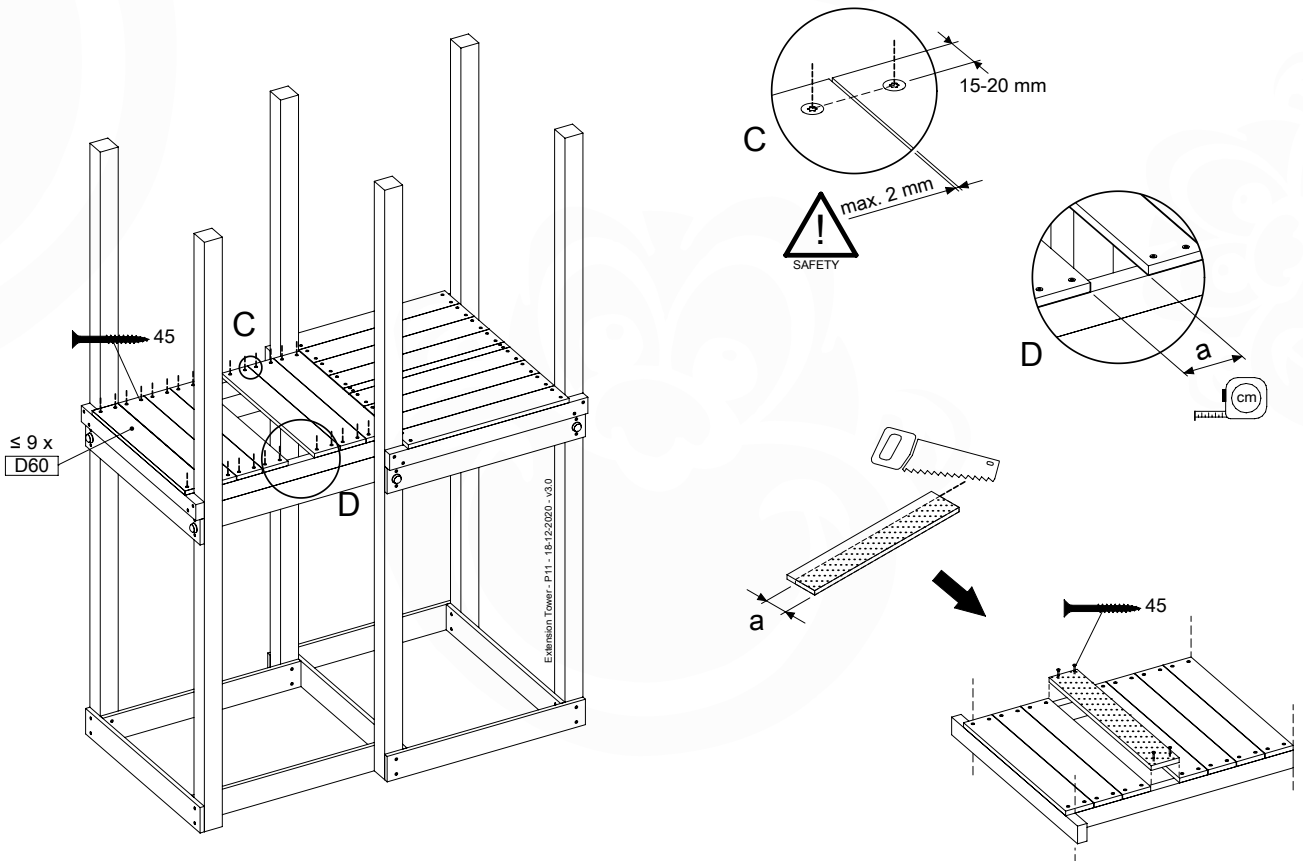
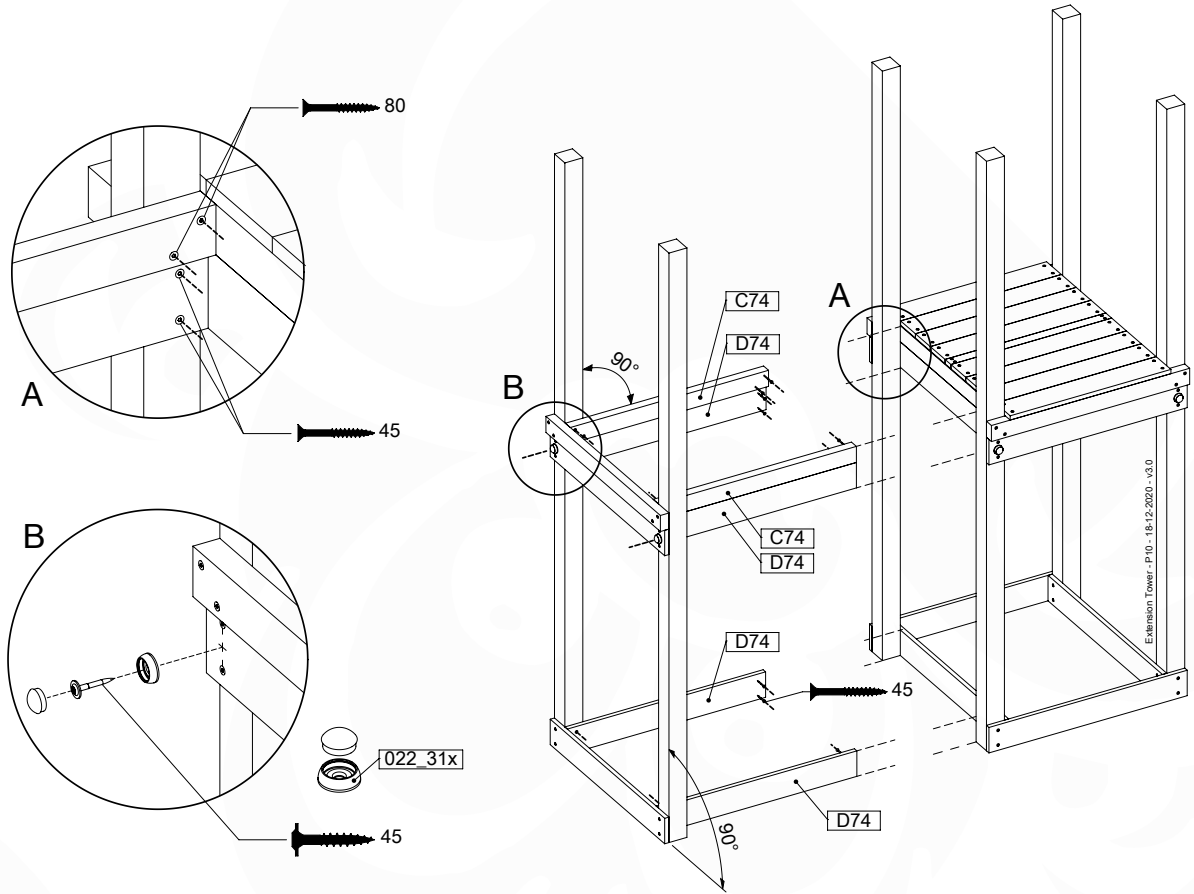
10 ET02a: Extension Tower 80 220/125

(194_100)

| | PartNo | PartName | QTY. |
|--------------------------|---------|----------------------------|------|
| Hardware Pack 100_600 | 001_406 | Stealth Screw 8x45 | 4 |
| | 002_220 | Gap Point Screw T25 - 5x45 | 60 |
| | 002_223 | Gap Point Screw T25 - 5x80 | 12 |
| Other | 007_001 | Ground-anchor | 2 |
| Hardware Pack 100_600 | 022_31x | bpc-base version 3 | 2 |
| | 022_84x | bpc cover | 2 |
| Wood | A220 | Post 70x70 L2200 | 2 |
| | C74 | Beam 740 mm | 3 |
| | D60 | Board 600 mm | 9 |
| | D74 | Board 740 mm | 6 |

Extension Tower - P07 - ET02 - 18-12-2020 - v3.0



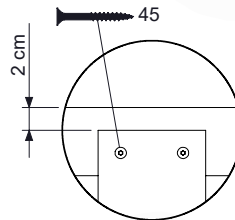
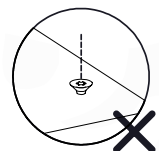
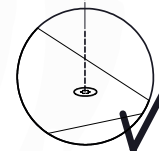
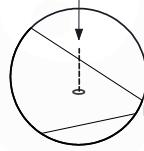
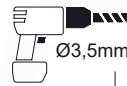
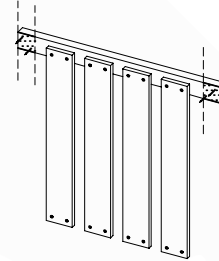


11 BL01a: Balustrade 80 U - 7x7 posts

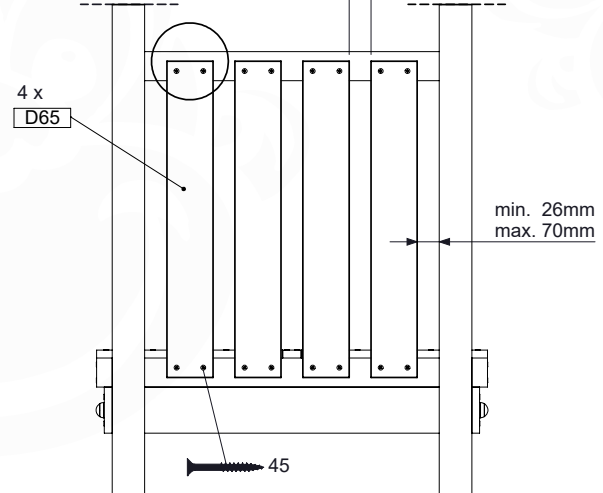
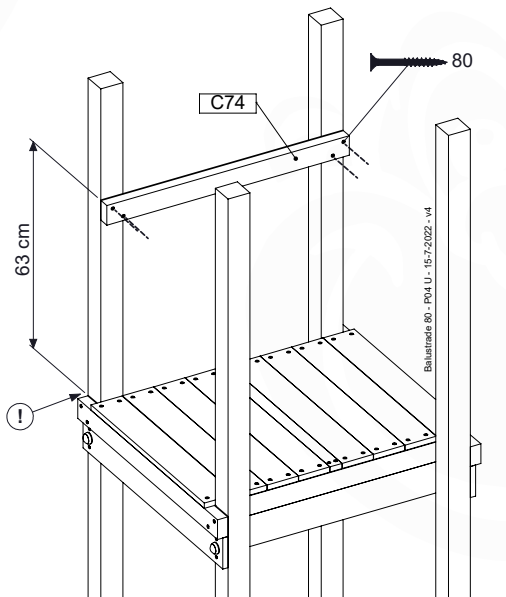
(194_101)

| | PartNo | PartName | QTY. |
|---------------|---------|----------------------------|------|
| Hardware Pack | 002_220 | Gap Point Screw T25 - 5x45 | 16 |
| | 100_601 | Gap Point Screw T25 - 5x80 | 4 |
| Timber | C74 | Beam 740 mm | 1 |
| | D65 | Board 650 mm | 4 |

Balustrade 80 - P02 U - 15-7-2022 - v4



min. 26mm
max. 70mm

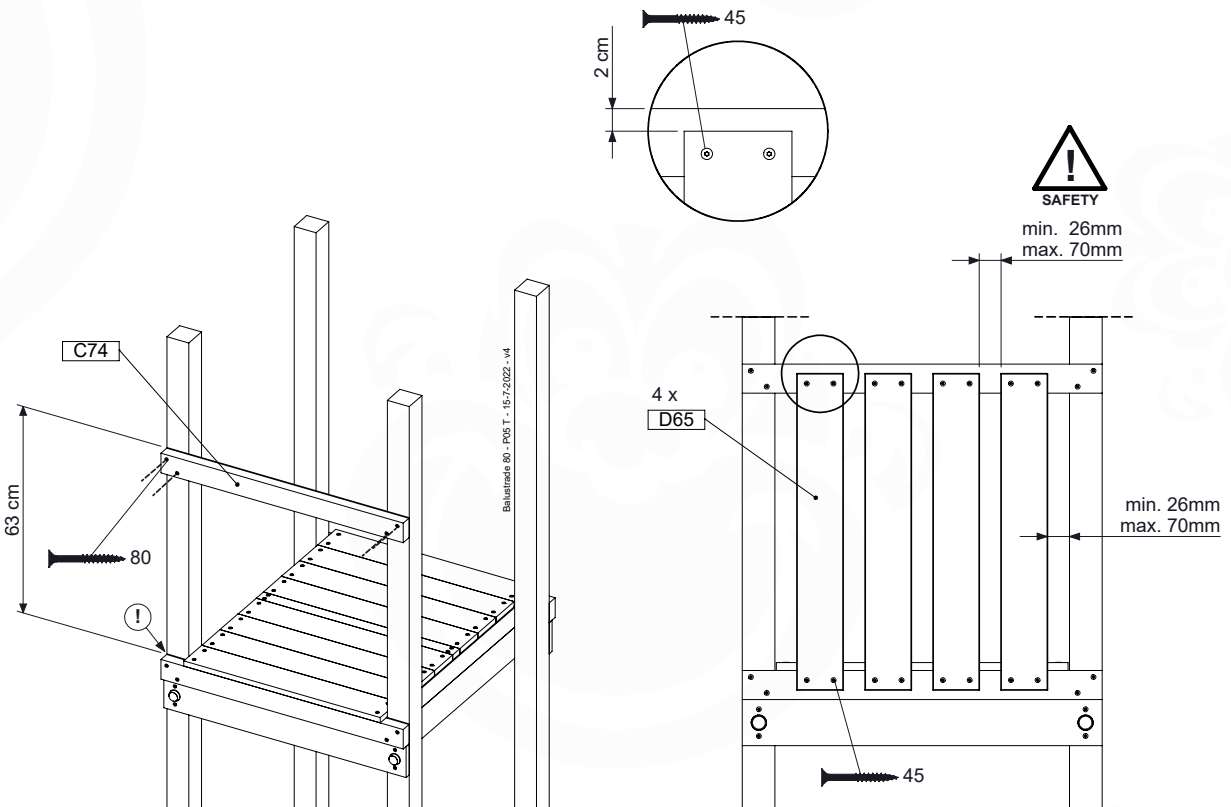
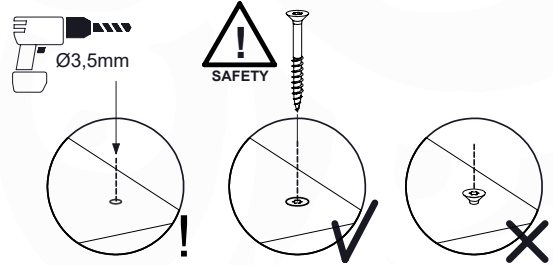
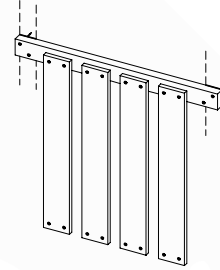


12 BL02a: Balustrade 80 T

(194_101)

| | PartNo | PartName | QTY. |
|---------------|---------|----------------------------|------|
| Hardware Pack | 002_220 | Gap Point Screw T25 - 5x45 | 16 |
| | 100_601 | Gap Point Screw T25 - 5x80 | 4 |
| Timber | C74 | Beam 740 mm | 1 |
| | D65 | Board 650 mm | 4 |

Balustrade 80 - P03 T - 15-7-2022 - v4

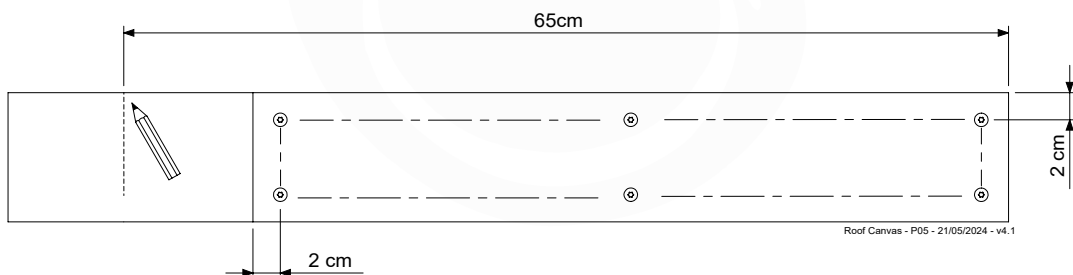
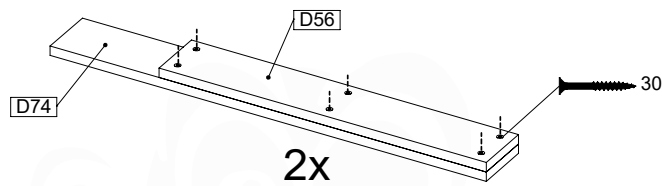
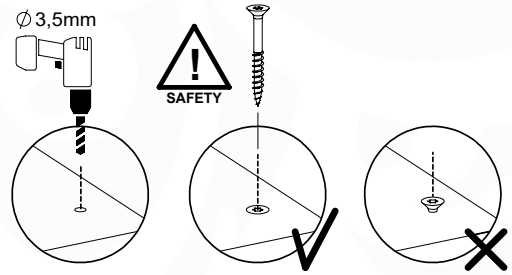
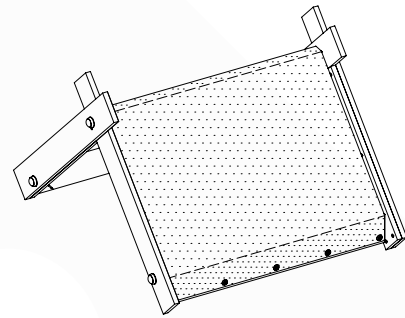


13 RF03a: Roof Canvas Tipi 80

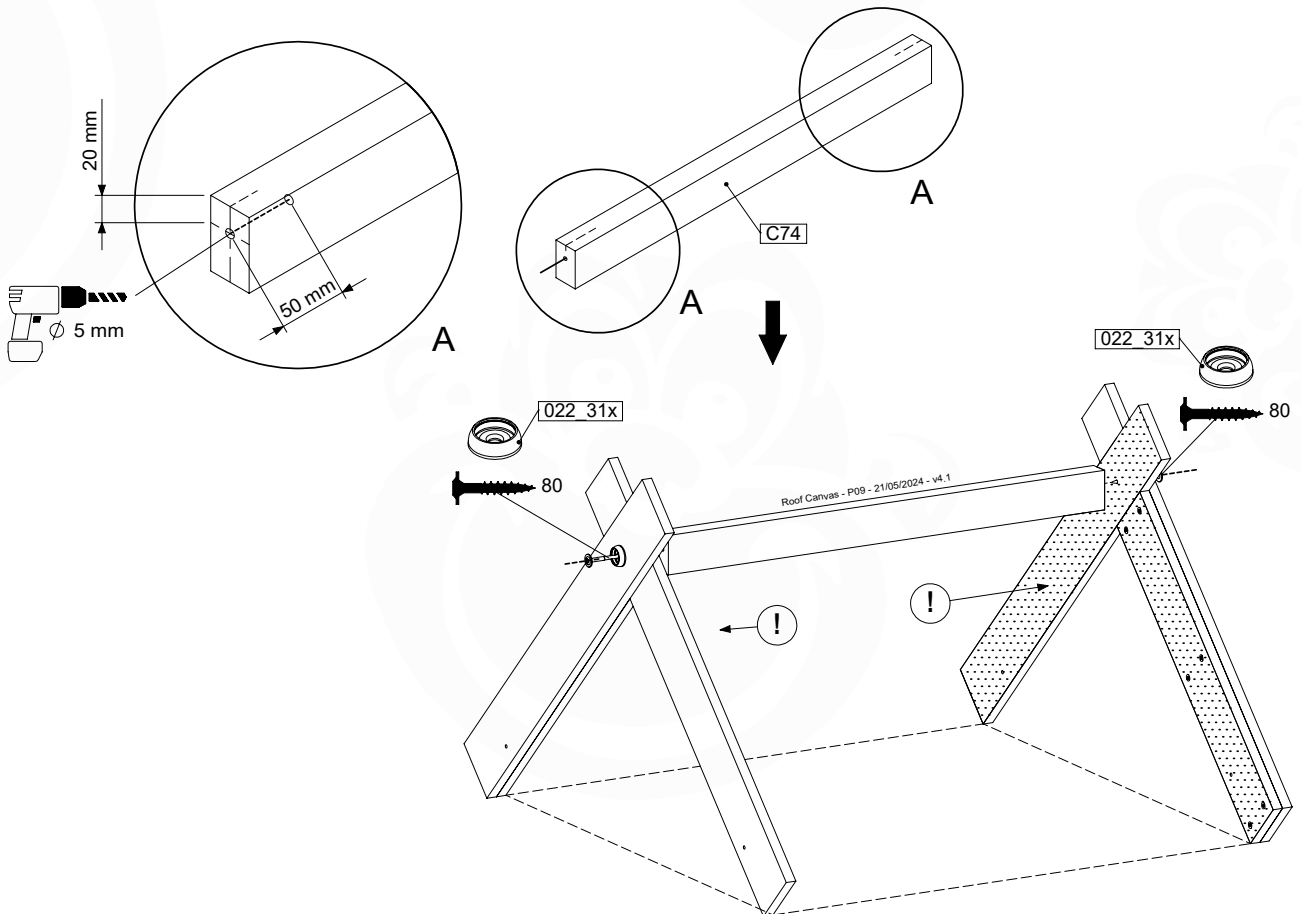
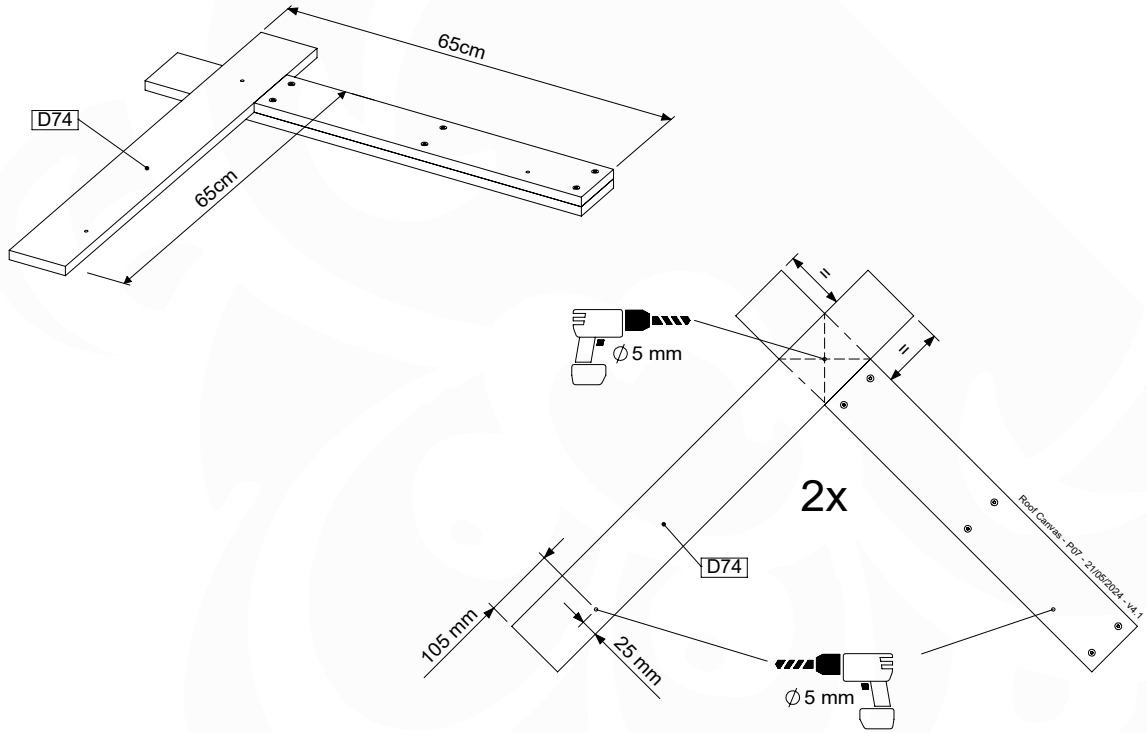
Assembly Pack: 194_108 / 194_805

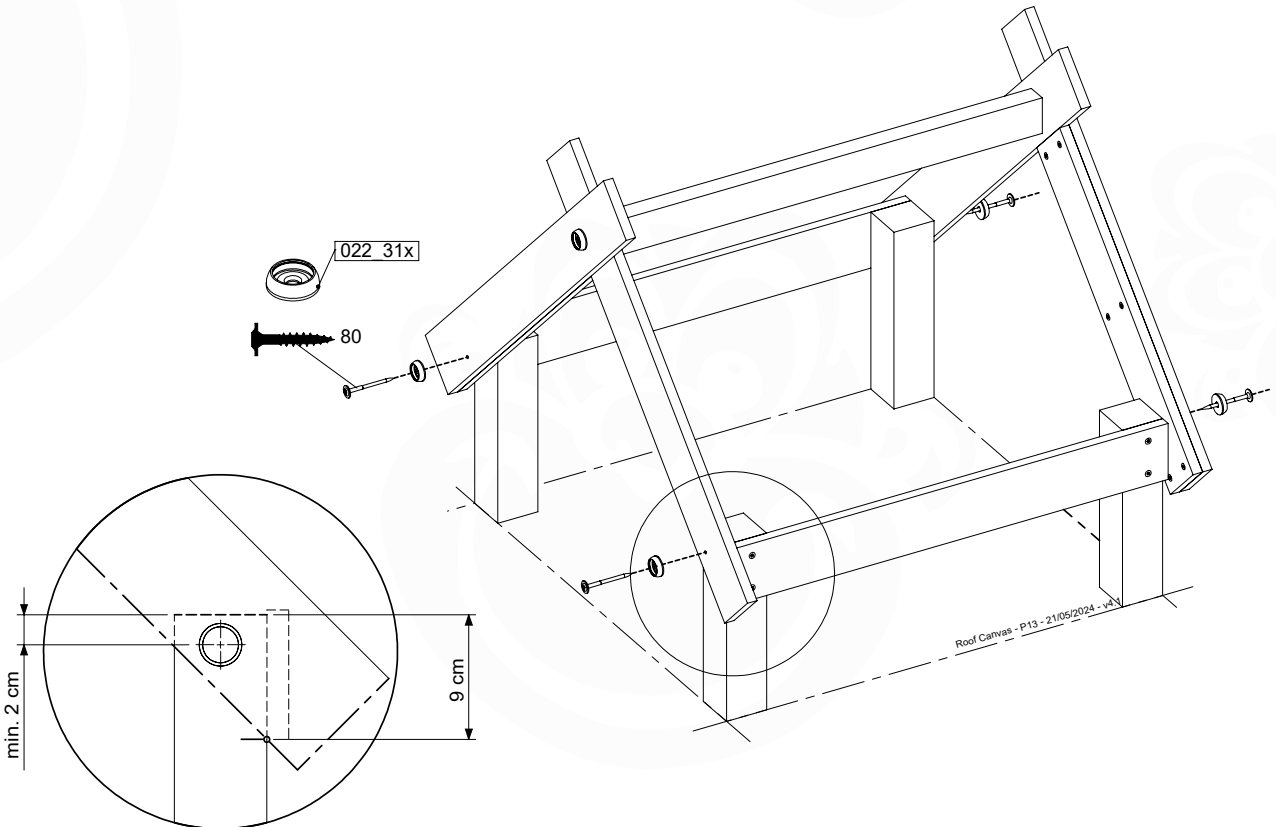
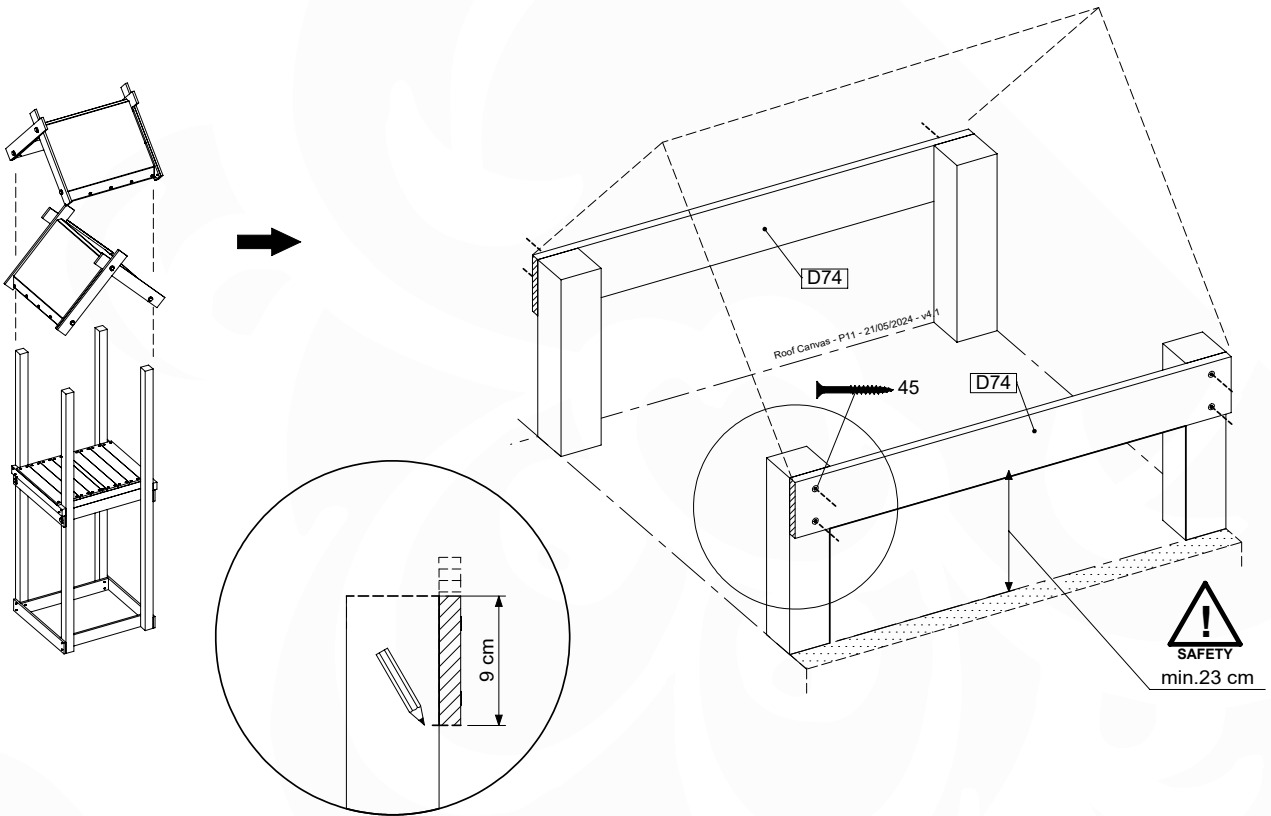
| | PartNo | PartName | QTY. |
|------------------------|---------|--------------------------------|------|
| Hardware + Parts | 001_417 | Stealth Screw 8x80 | 6 |
| | 002_219 | Gap Point Screw T25 - 5x30 | 12 |
| | 002_220 | Gap Point Screw T25 - 5x45 | 8 |
| | 002_223 | Gap Point Screw T25 - 5x80 | 2 |
| | 002_308 | Gap Point Screw T25 - 5x20 | 10 |
| | 022_31x | bpc-base version 3 | 6 |
| | 022_84x | bpc cover | 6 |
| | 023_031 | Finishing Washer GPS 5.0 | 10 |
| | 123_220 | Canvas sheet 735x1365mm | 1 |
| Timber | C74 | Beam 740 mm | 1 |
| | D56 | Board L=(650 - board width) mm | 2 |
| | D74 | Board 740 mm | 6 |

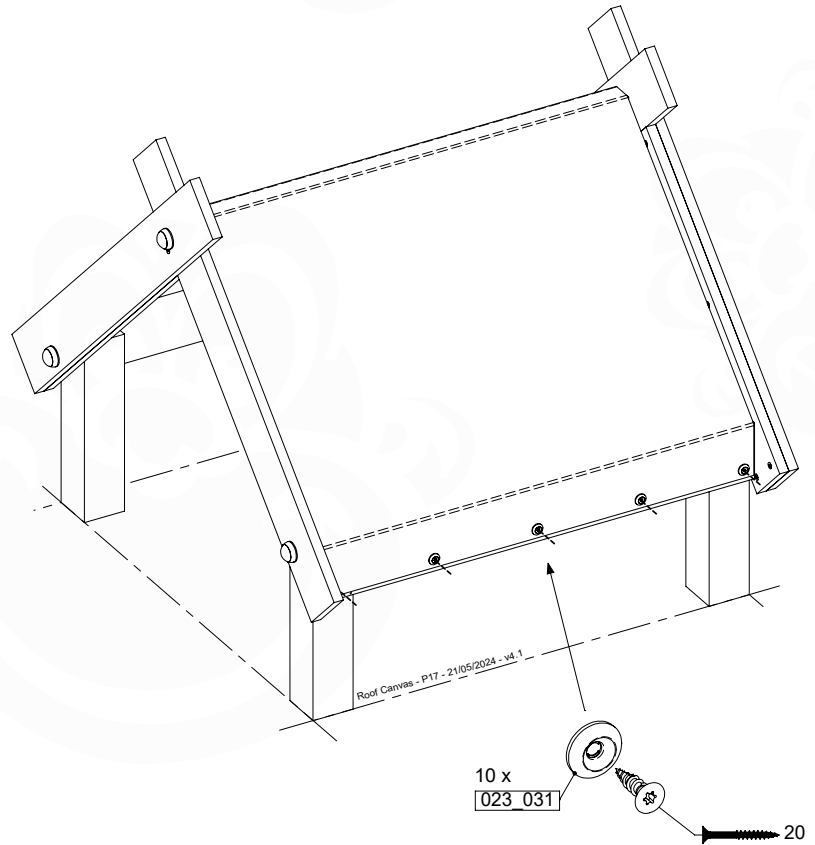
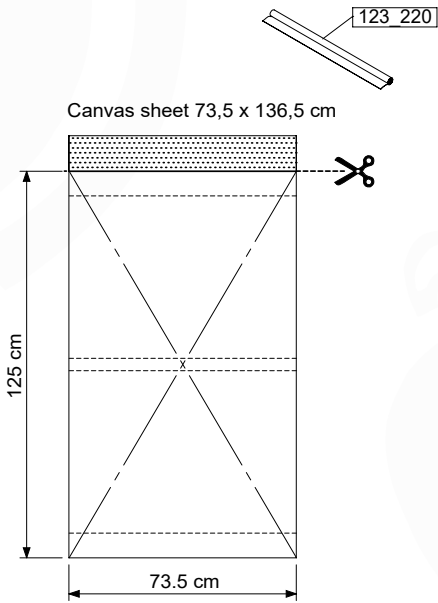
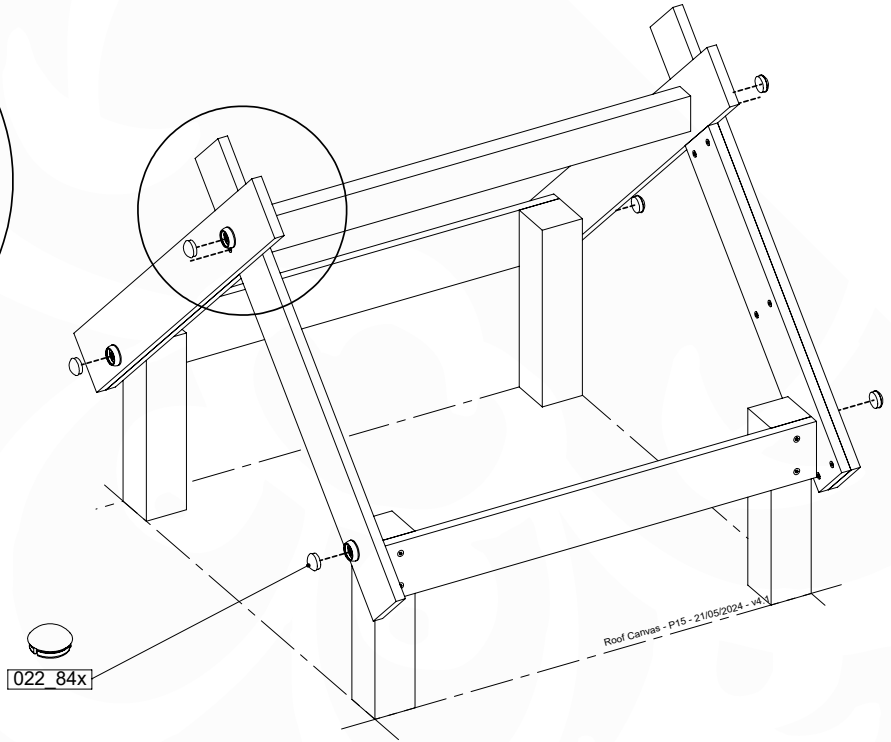
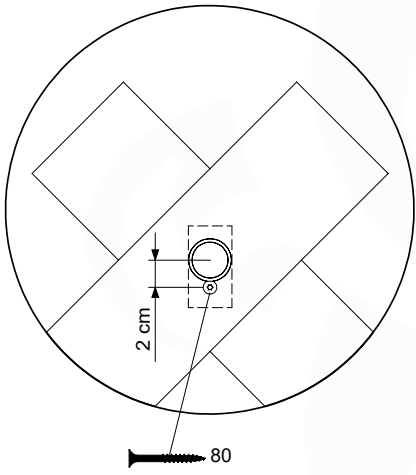
Roof Canvas - P03 - 21/05/2024 - v4.1



Roof Canvas - P05 - 21/05/2024 - v4.1





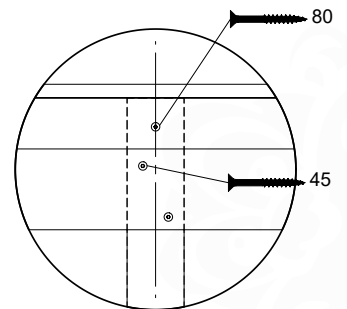
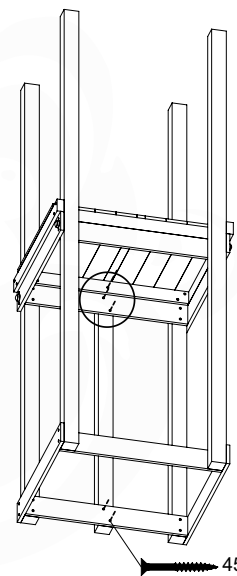
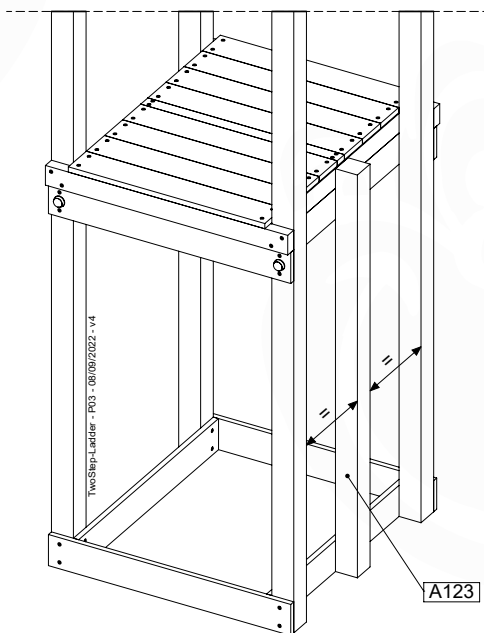
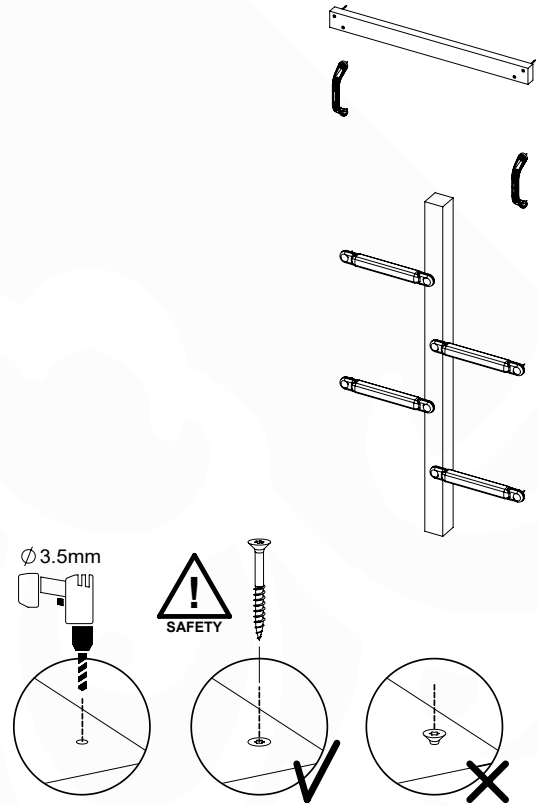


14 TS01a: Two Step 80 125 U

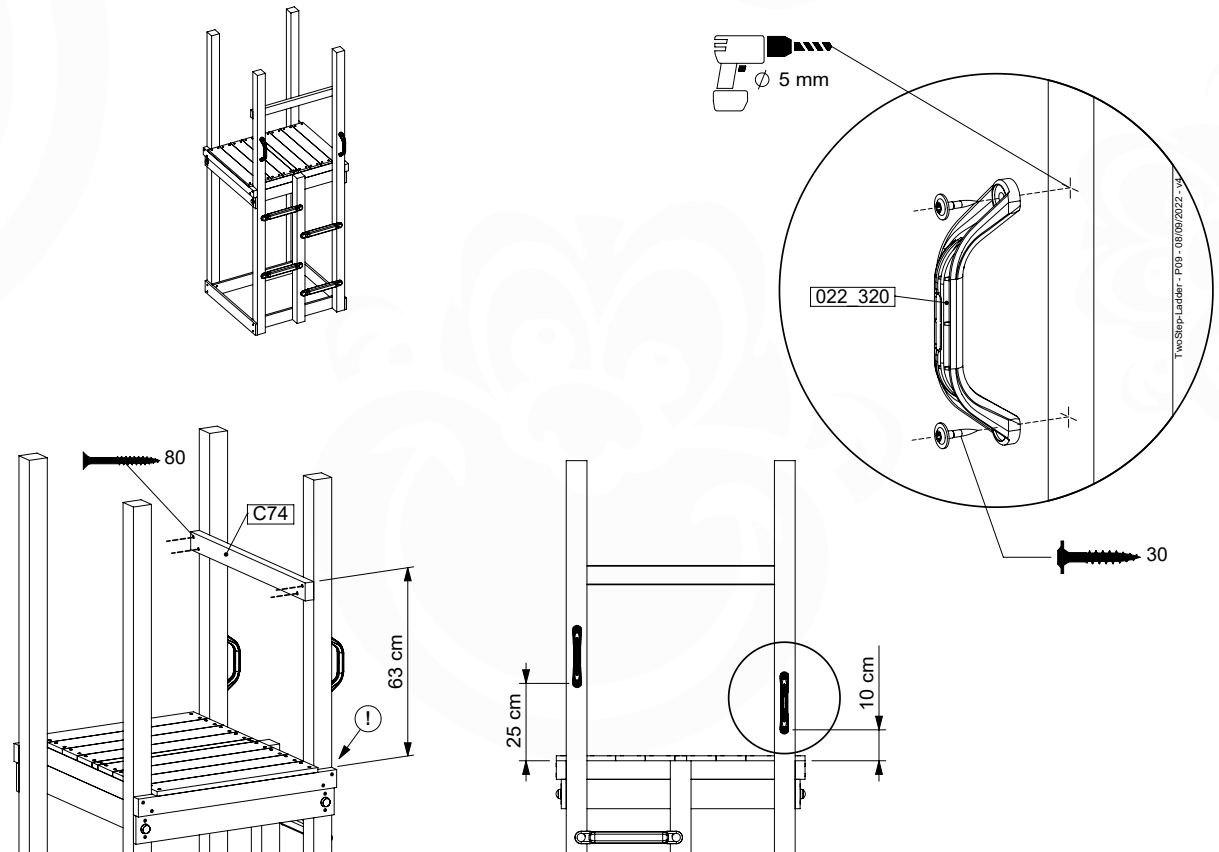
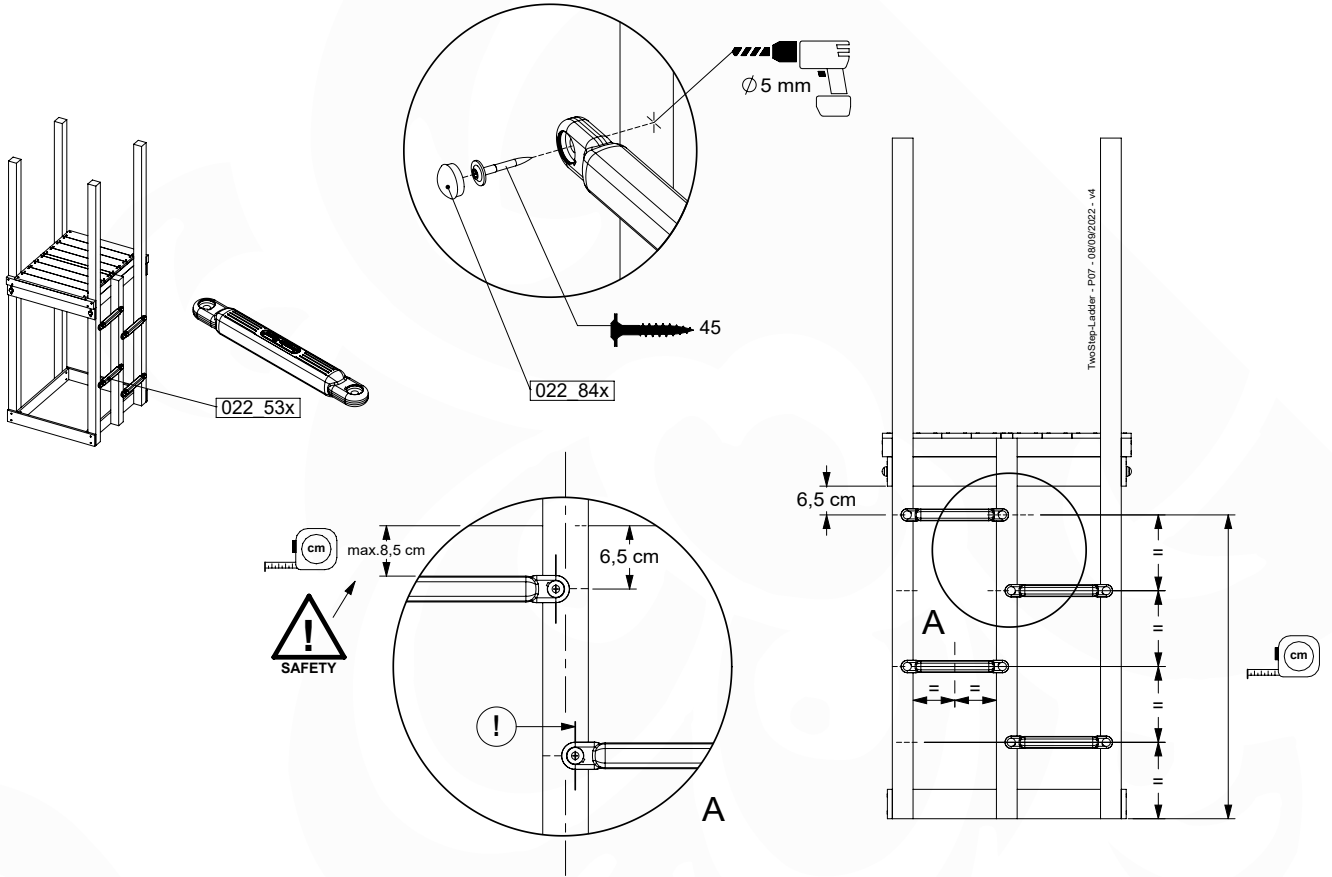
(194_102 / 194_002)

| | PartNo | PartName | QTY. |
|--------------------------------------|---------|----------------------------|------|
| Hardware Pack 100_602 /100_902 | 001_406 | Stealth Screw 8x45 | 8 |
| | 002_220 | Gap Point Screw T25 - 5x45 | 4 |
| | 002_223 | Gap Point Screw T25 - 5x80 | 5 |
| Other | 022_53x | Ladder/ Rope Rung 30cm | 4 |
| | 022_84x | bpc cover | 8 |
| | 120_102 | Handgrip set (2x Complete) | 1 |
| Timber | A123 | Post 70x70 L1230 | 1 |
| | C74 | Beam 740 mm | 1 |

TwoStep-Ladder - P102 - 08/09/2022 - v4



14.1

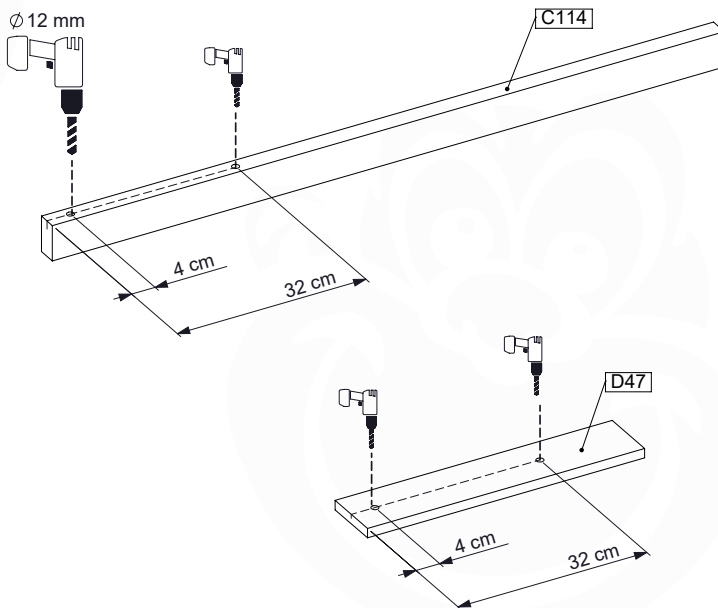
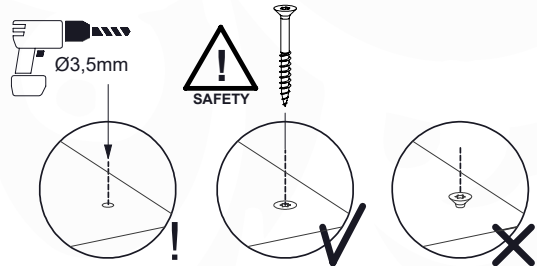


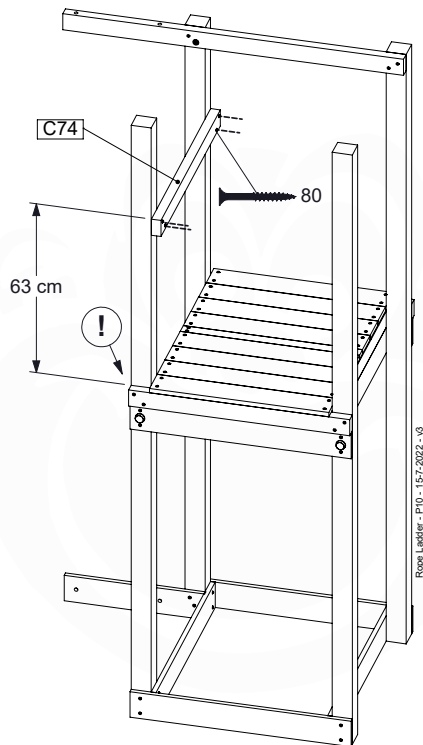
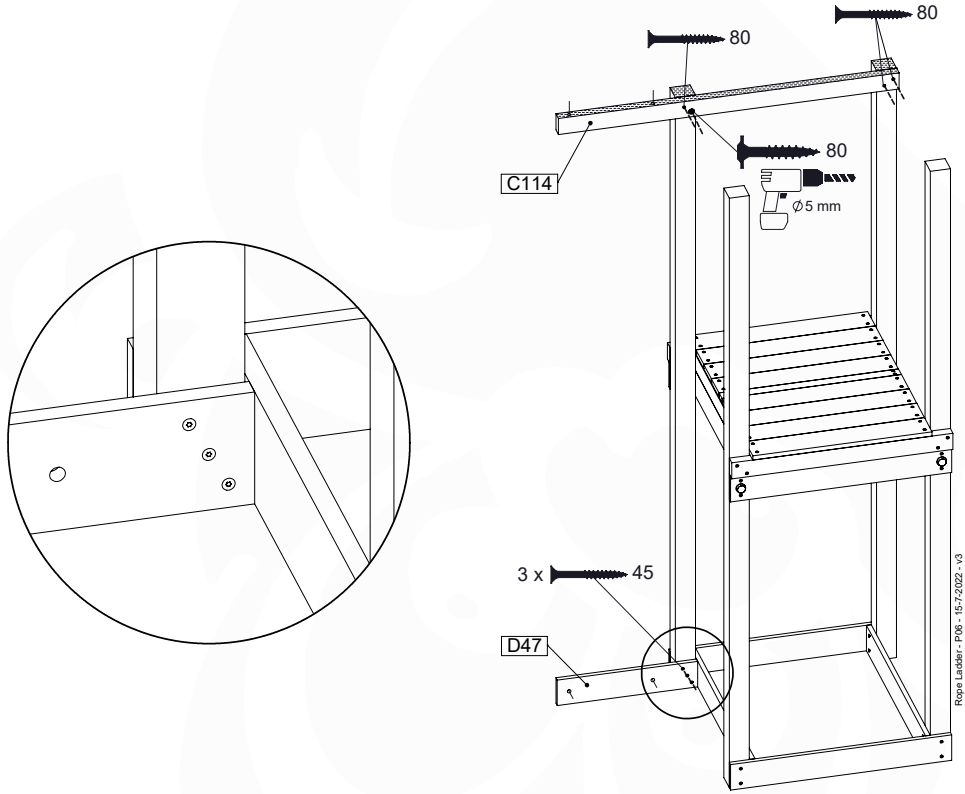
15 RL01a: Rope ladder 80 125 Left

(194_115)

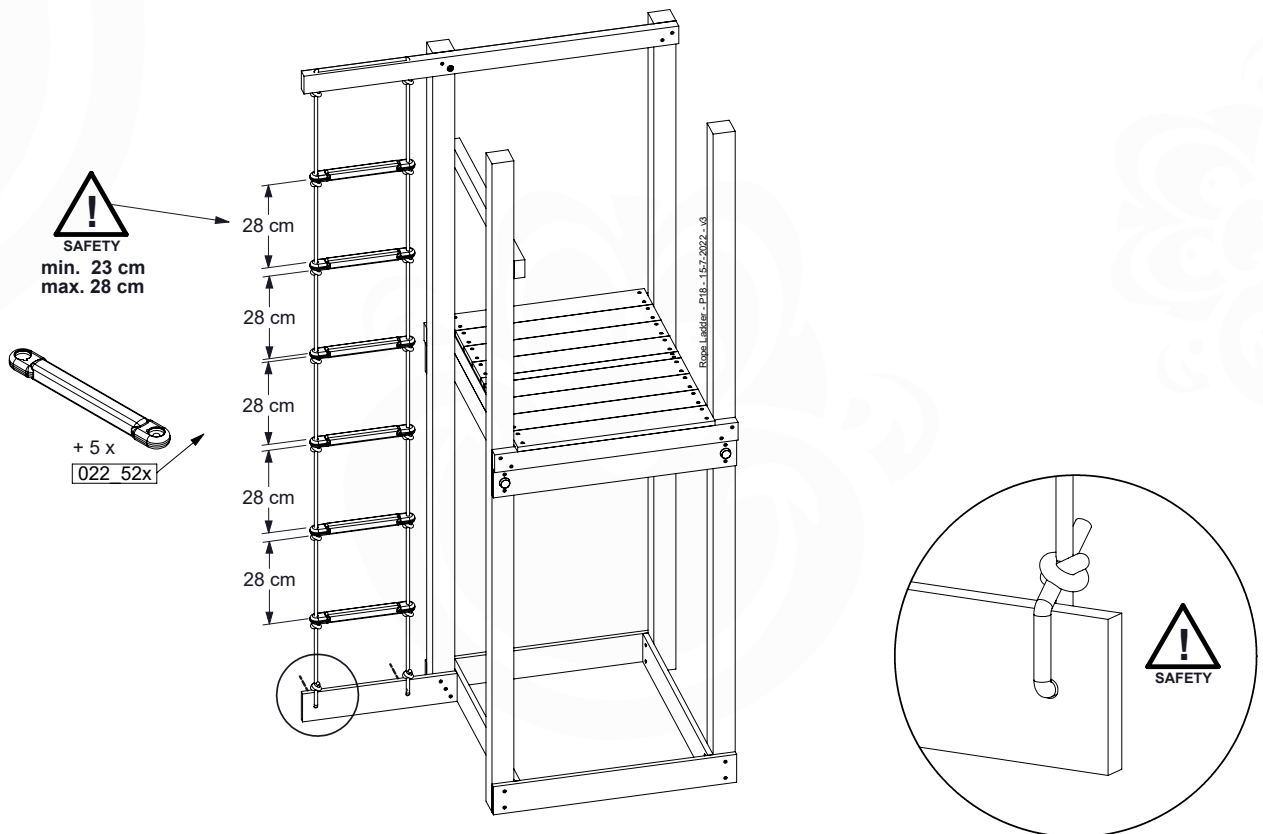
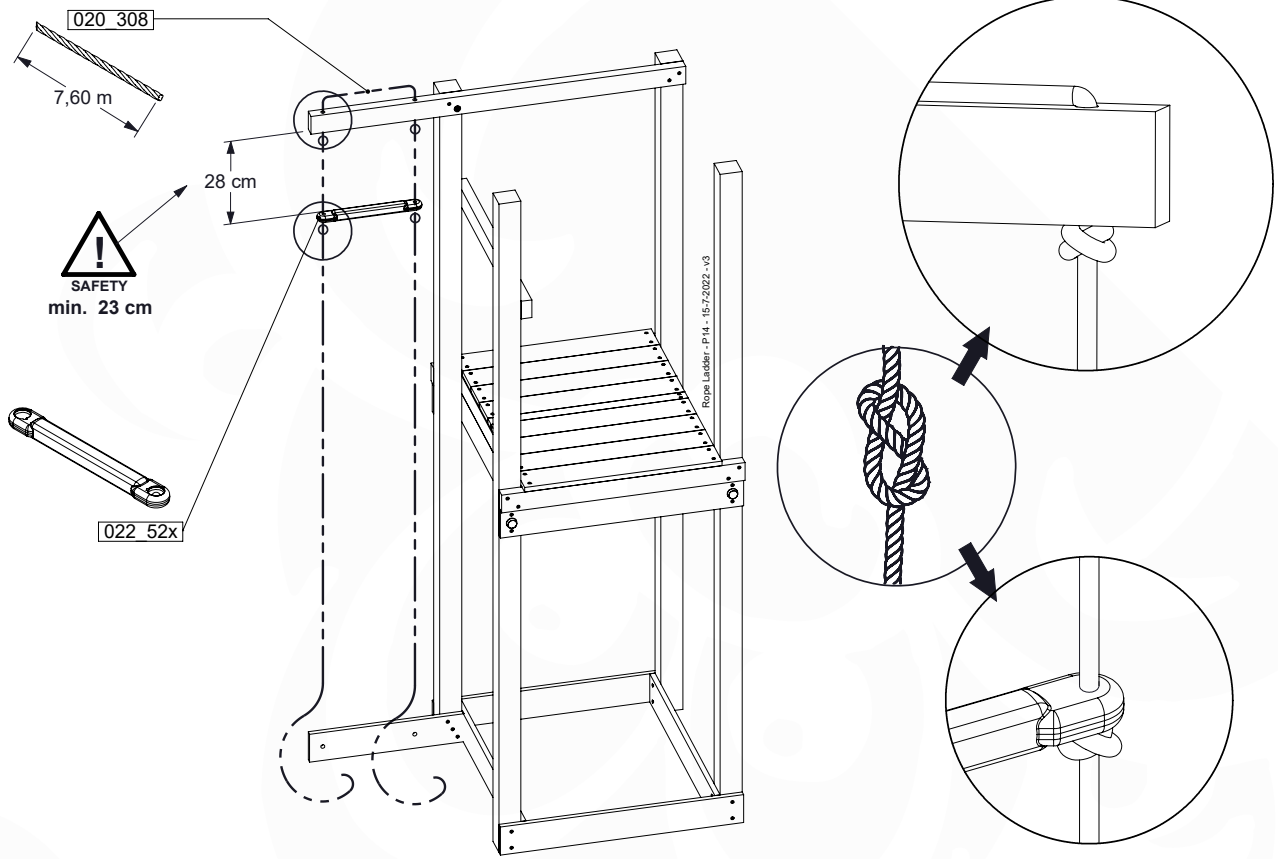
| | PartNo | PartName | QTY. |
|--------------------------|---------|----------------------------|------|
| Hardware Pack 100_613 | 001_417 | Stealth Screw 8x80 | 1 |
| | 002_220 | Gap Point Screw T25 - 5x45 | 3 |
| | 002_223 | Gap Point Screw T25 - 5x80 | 7 |
| Other | 020_308 | Rope 10mm x 7,6m | 1 |
| | 022_52x | Rope Ladder Rung -28cm- | 6 |
| Wood | C74 | Beam 740 mm | 1 |
| | C114 | Beam 1140 mm | 1 |
| | D47 | Board 470 mm | 1 |

Rope Ladder - P102 - 15-7-2022 - v3





15.2

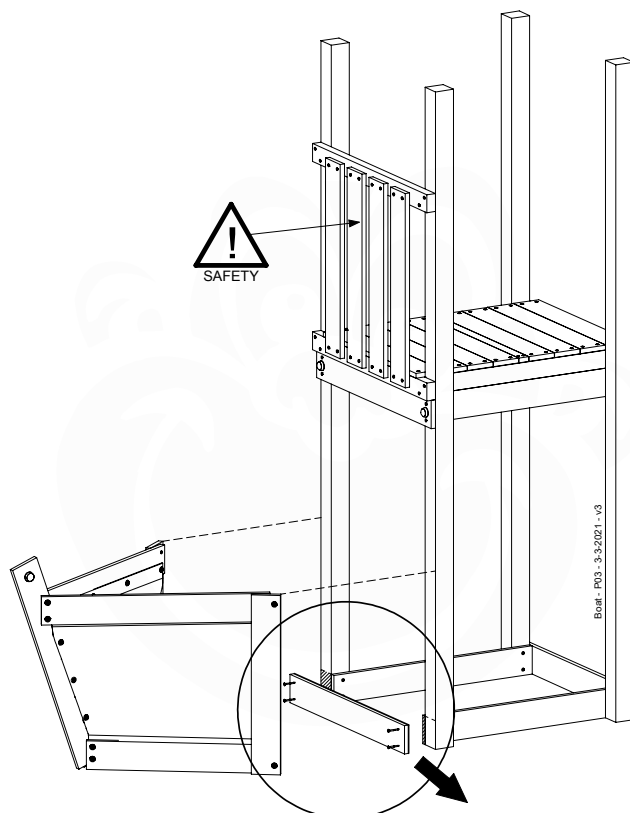
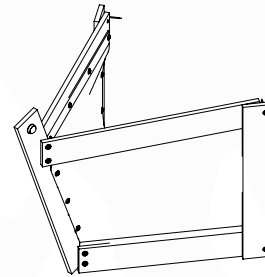


16 BO01a: Boat Front 80

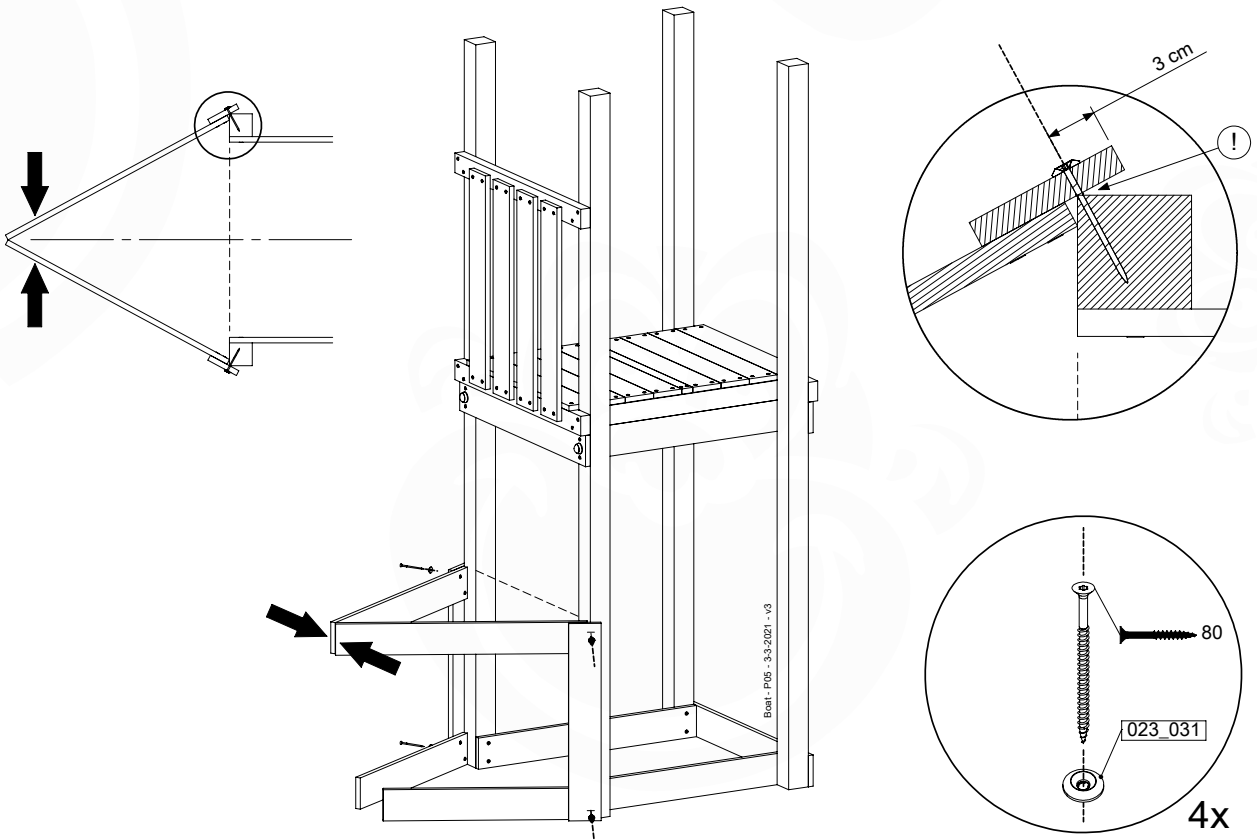
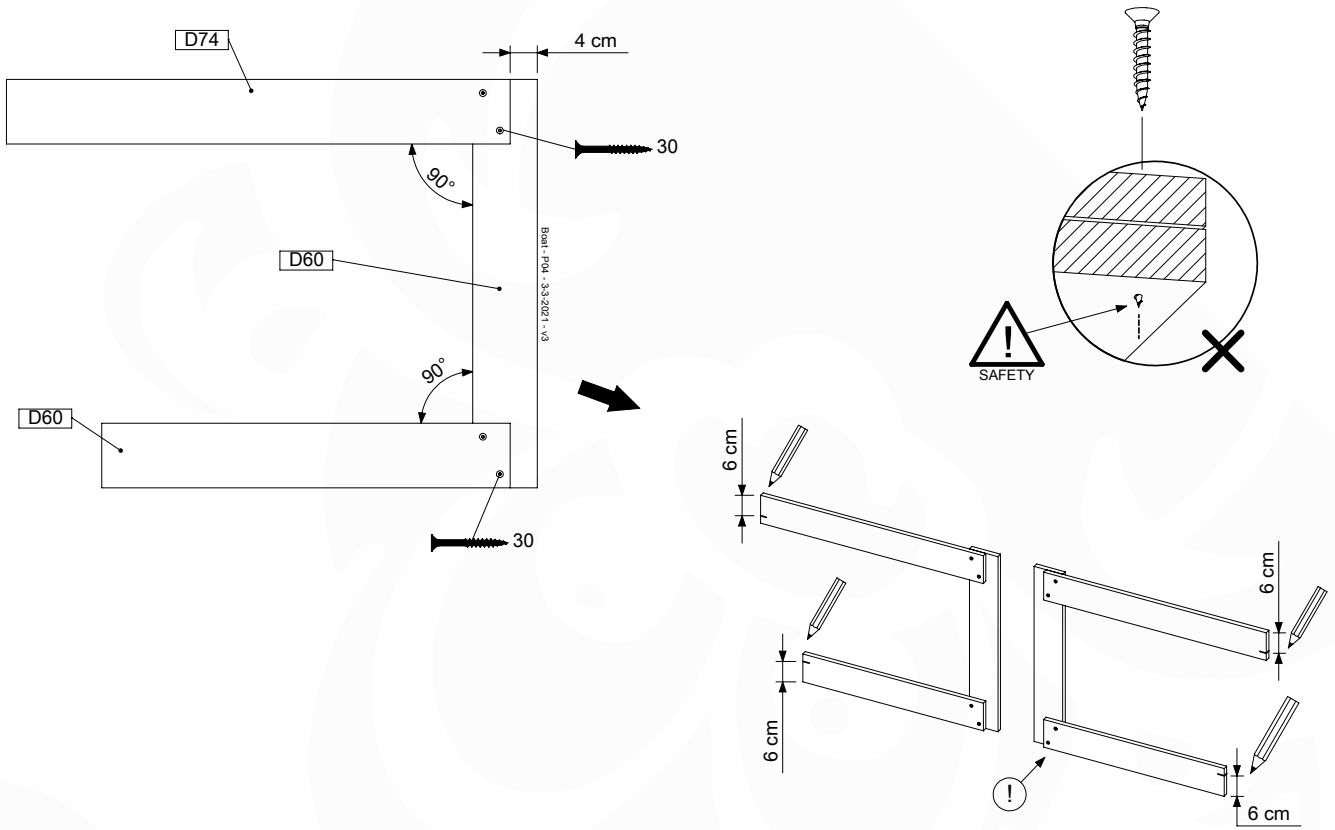
(194_115)

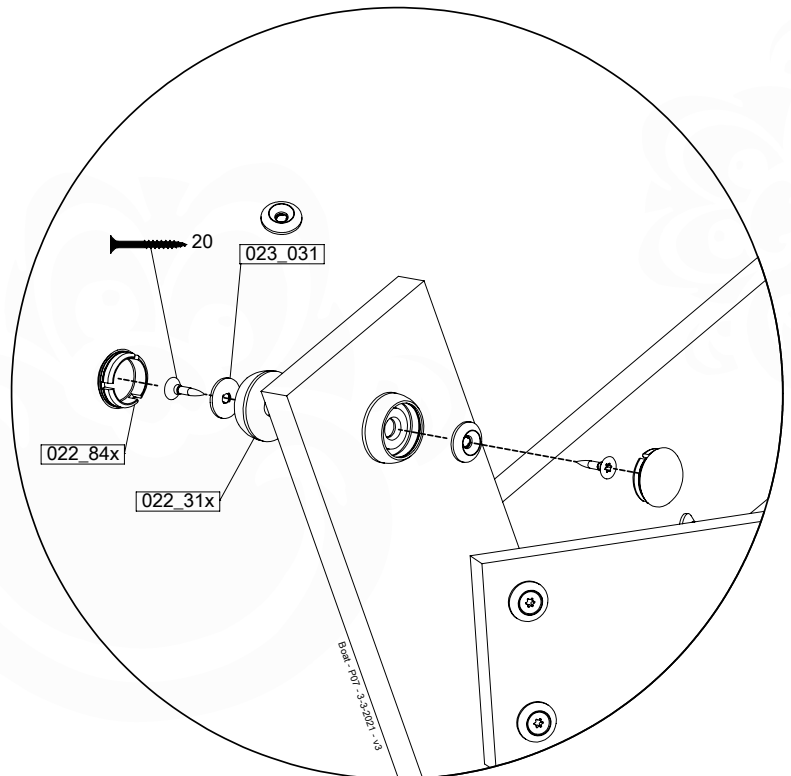
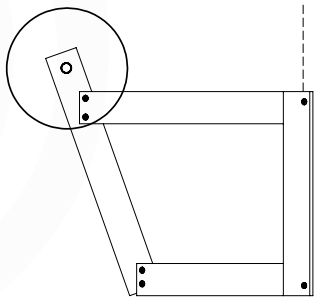
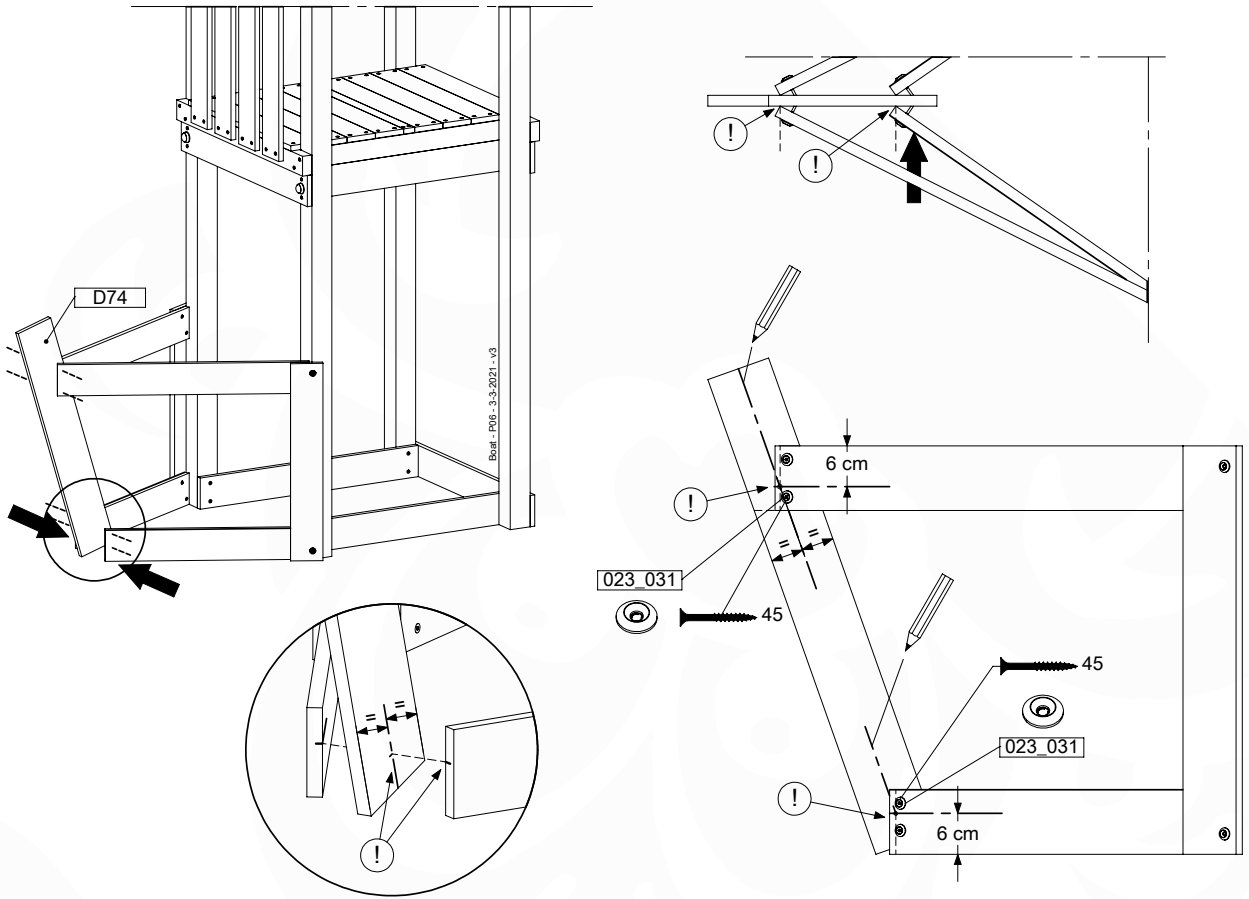
| | PartNo | PartName | QTY. |
|--------------------------|---------|--|------|
| Hardware Pack 100_612 | 002_219 | Gap Point Screw T25 - 5x30 | 8 |
| | 002_220 | Gap Point Screw T25 - 5x45 | 8 |
| | 002_223 | Gap Point Screw T25 - 5x80 | 4 |
| | 002_308 | Gap Point Screw T25 - 5x20 | 28 |
| | 022_84x | bpc cover | 2 |
| | 022_31x | bpc-base version 3 | 2 |
| | 023_031 | Finishing Washer GPS 5.0 | 40 |
| Other | 123_220 | Canvas sheet 735x1365mm (fits 2 sides) | 1 |
| Wood | D60 | Board 600 mm | 4 |
| | D74 | Board 740 mm | 3 |

Boat-F02_3-3-2021-V3

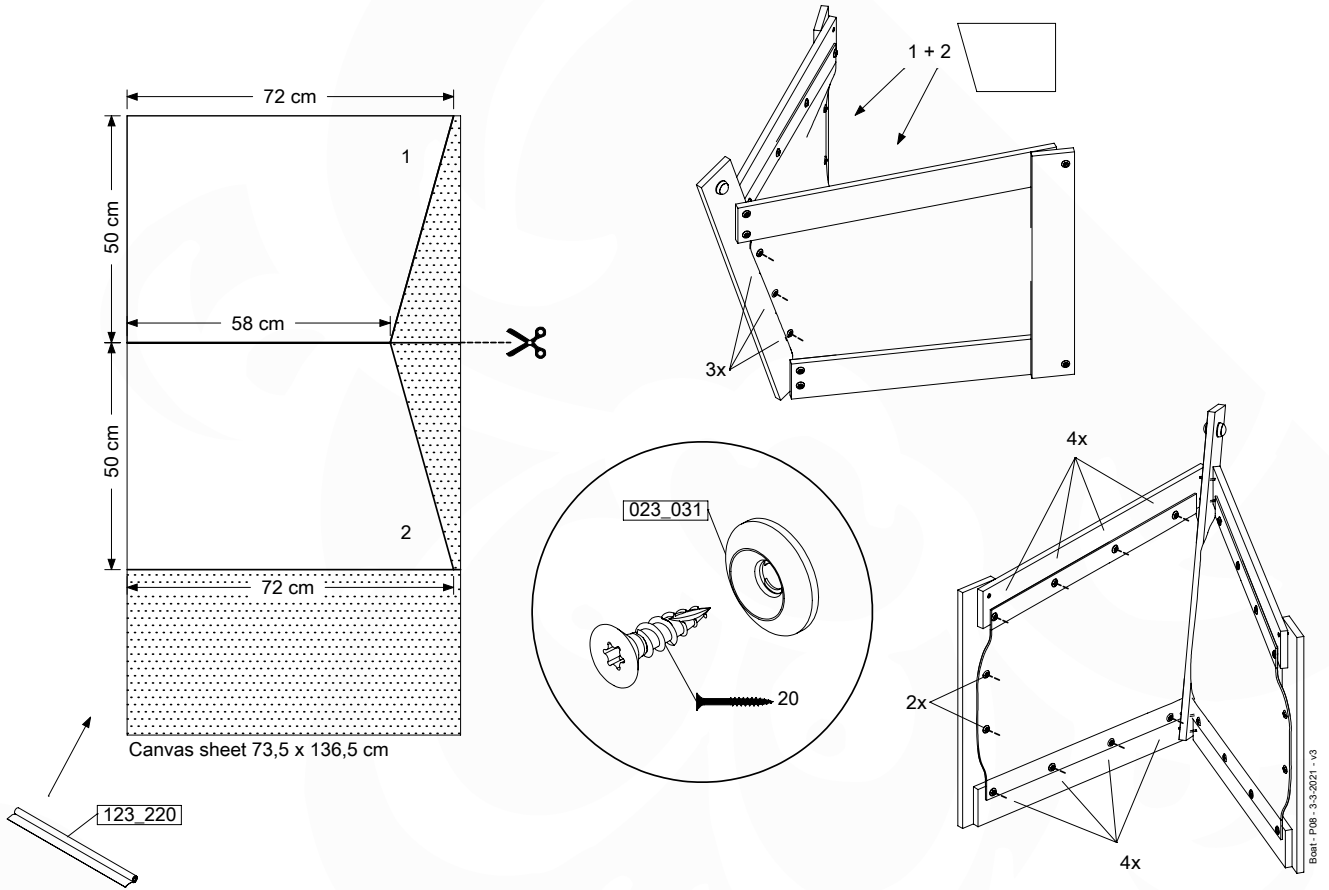


16.1





16.3

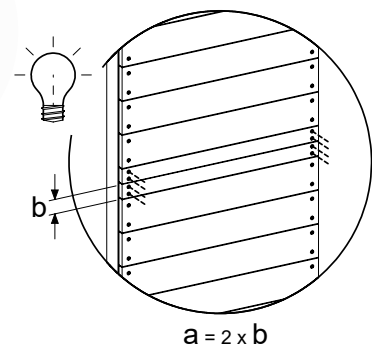
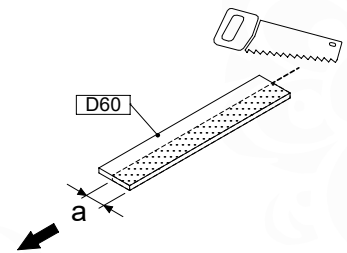
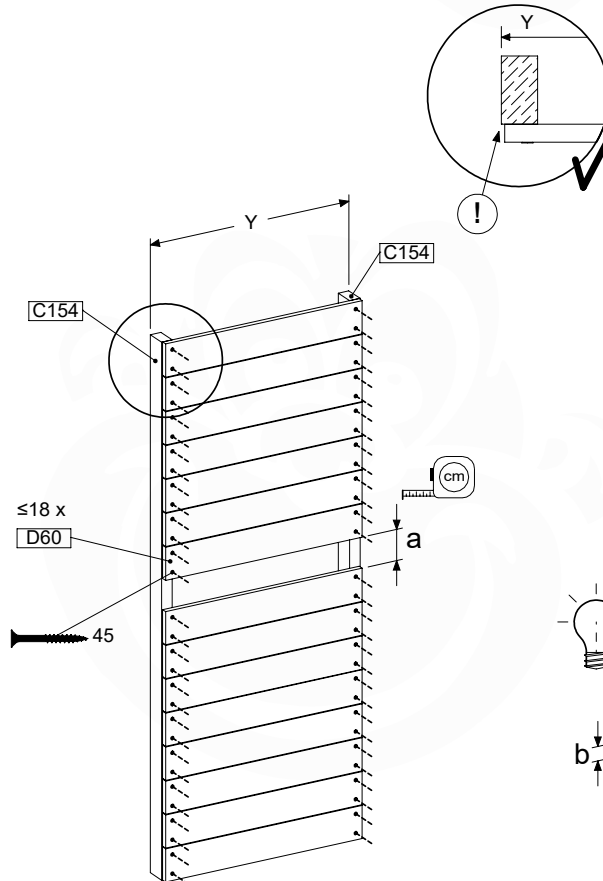
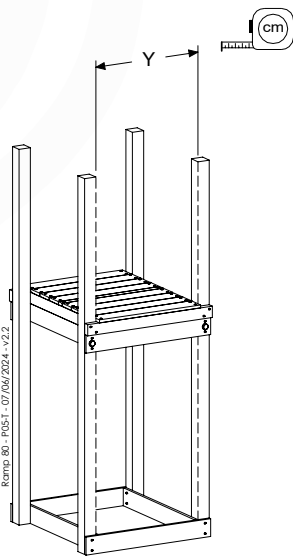
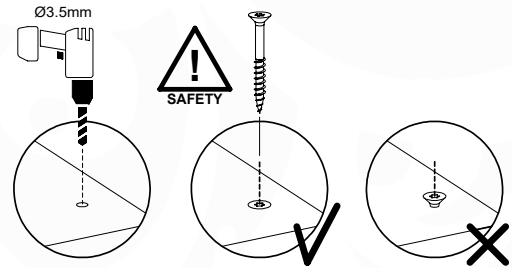
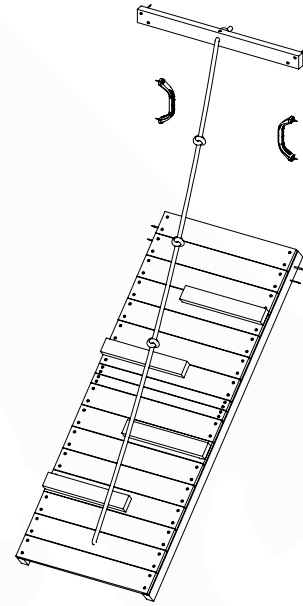


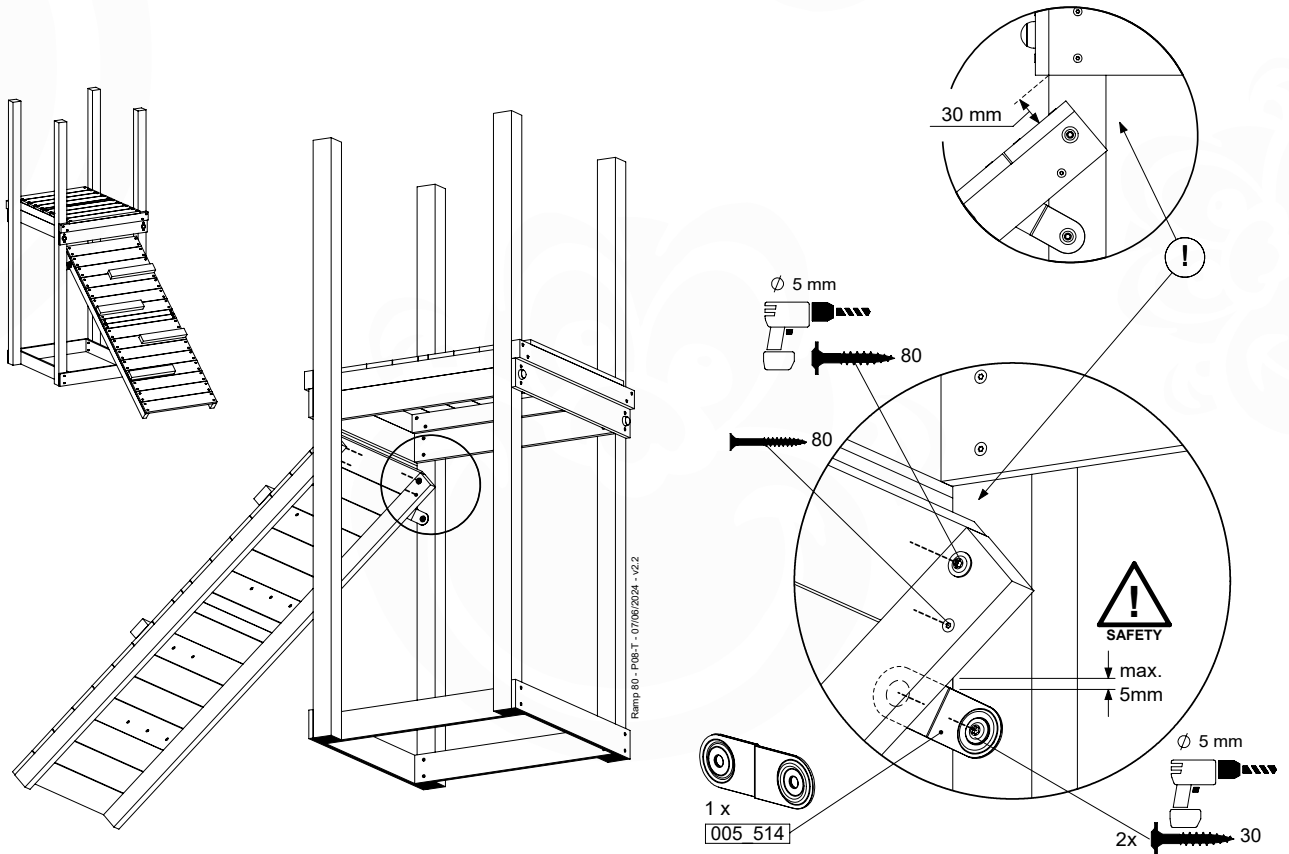
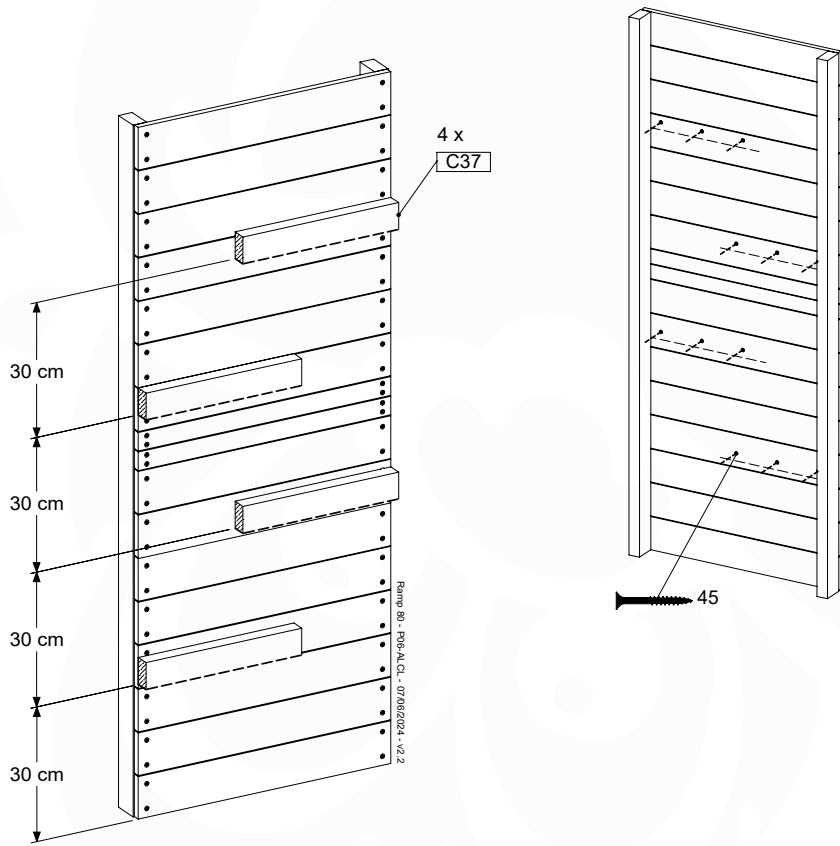
17 RA04a: Ramp 80 125 T

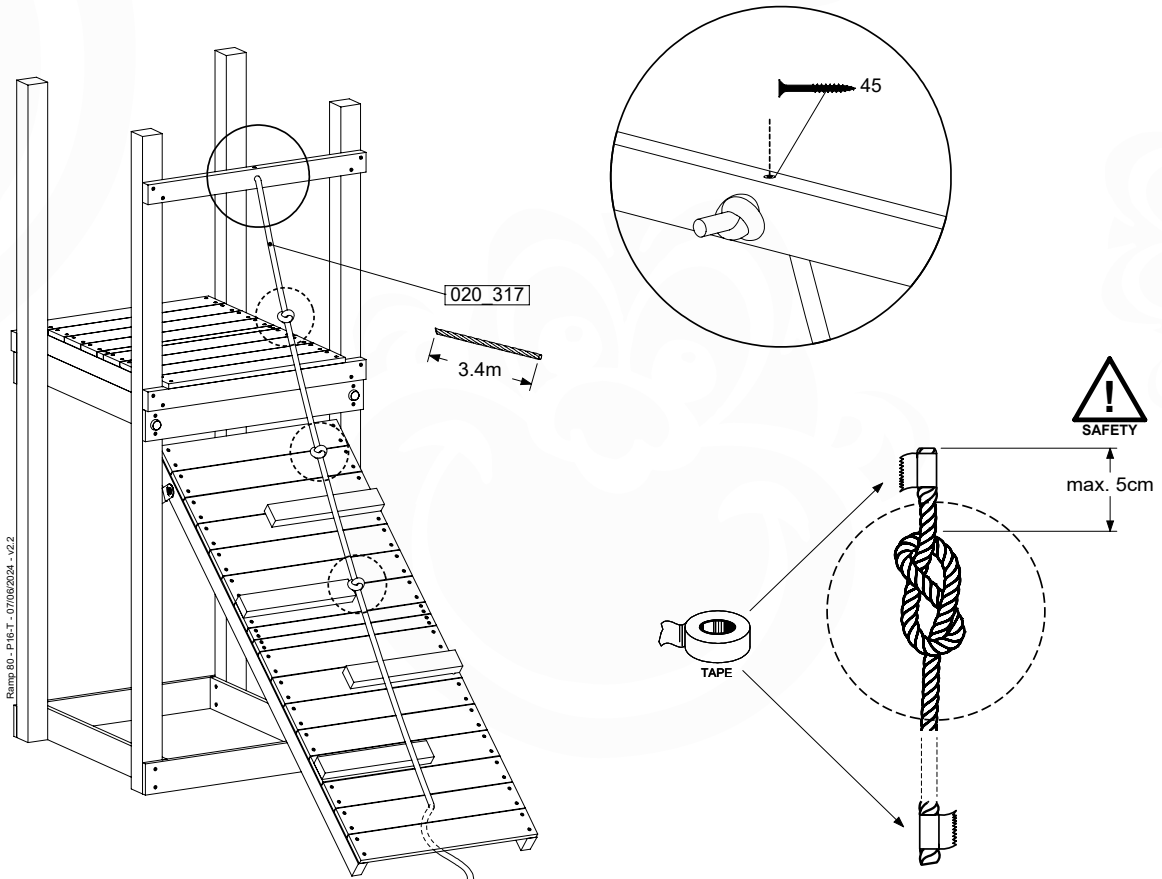
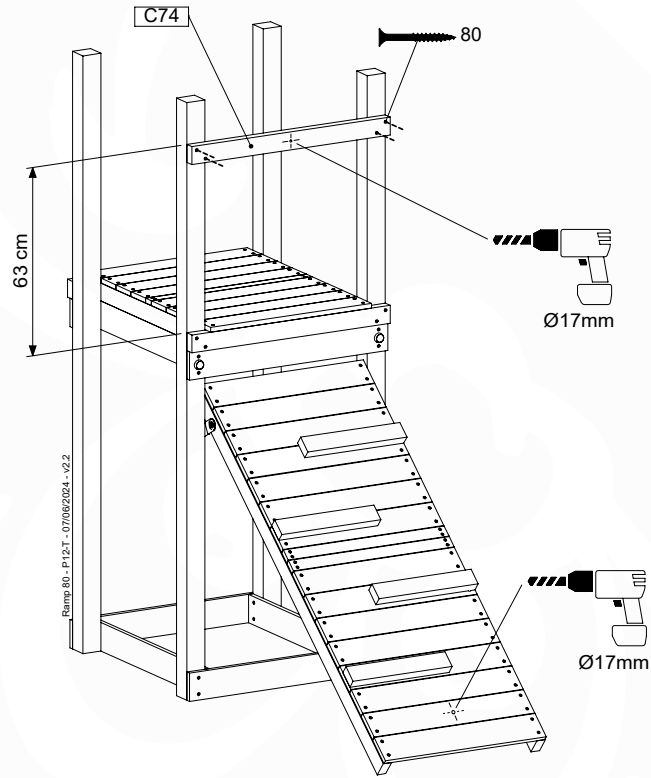
Assembly Pack: 194_008

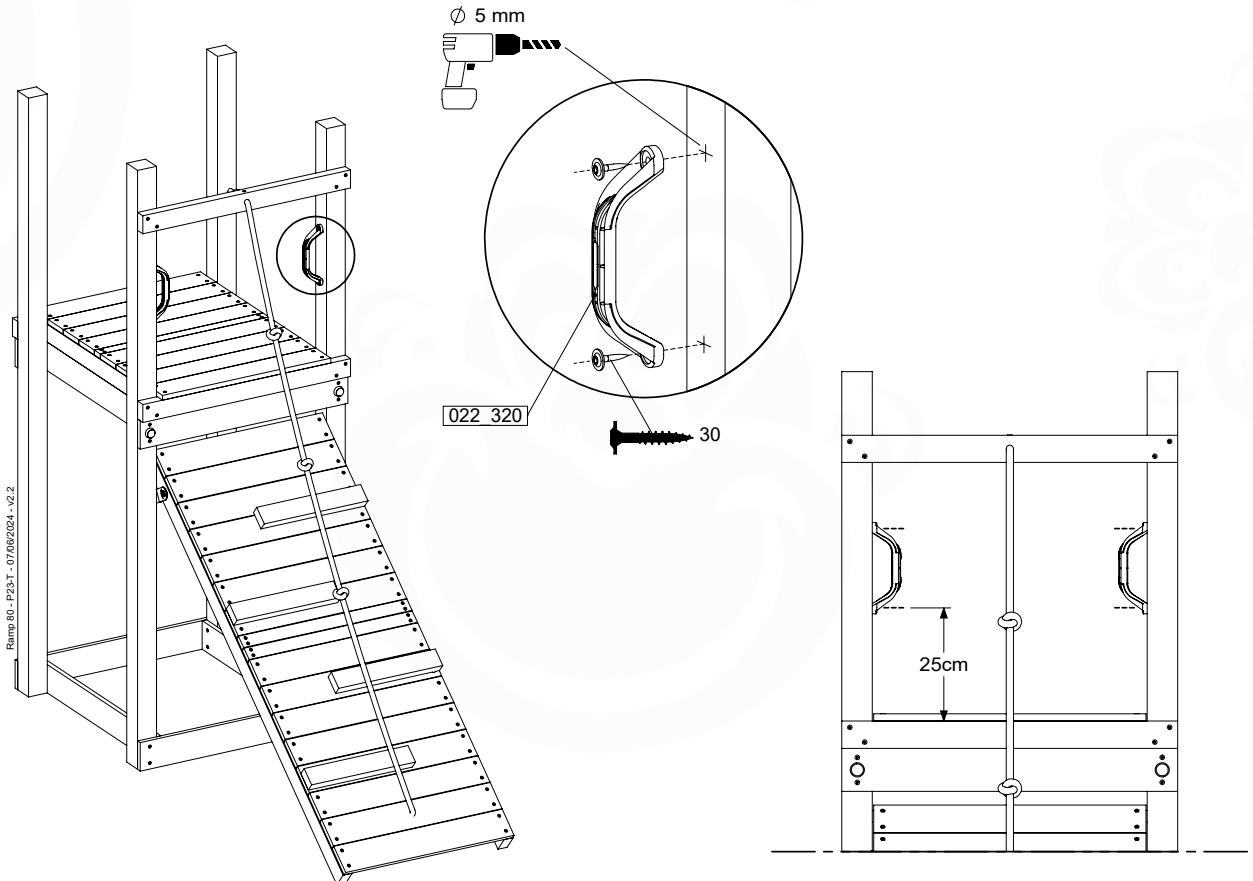
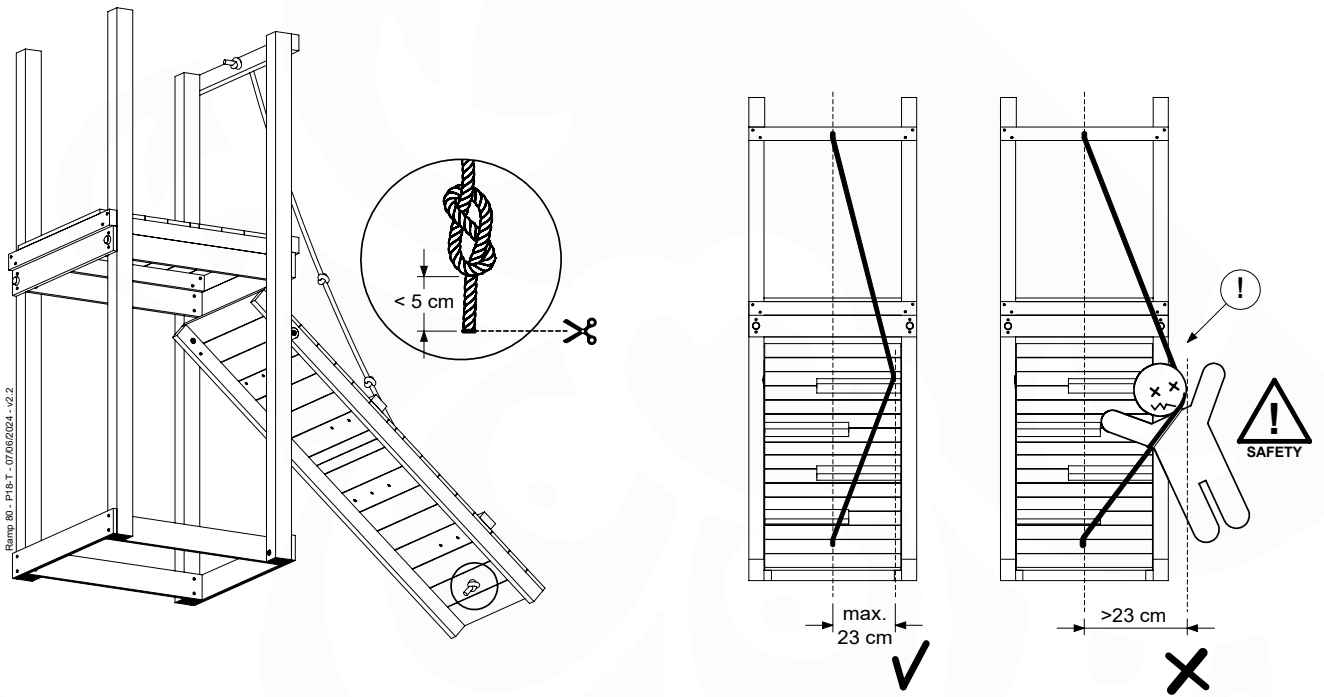
| | PartNo | PartName | QTY. |
|------------------|---------|--------------------------------|------|
| Hardware + Parts | 001_404 | Stealth Screw 8x30 | 2 |
| | 001_417 | Stealth Screw 8x80 | 2 |
| | 002_220 | Gap Point Screw T25 - 5x45 | 85 |
| | 002_223 | Gap Point Screw T25 - 5x80 | 6 |
| | 005_514 | Ladder Bracket | 1 |
| | 020_317 | Rope Polyester 16mm Green 3.4m | 1 |
| | 120_102 | Handgrip set (2x Complete) | 1 |
| Timber | C37 | Beam 370 mm | 4 |
| | C74 | Beam 740 mm | 1 |
| | C154 | Beam 1540 mm | 2 |
| | D60 | Board 600 mm | 18 |

Ramp 80 - P02-Team - 07/06/2024 - v2.2







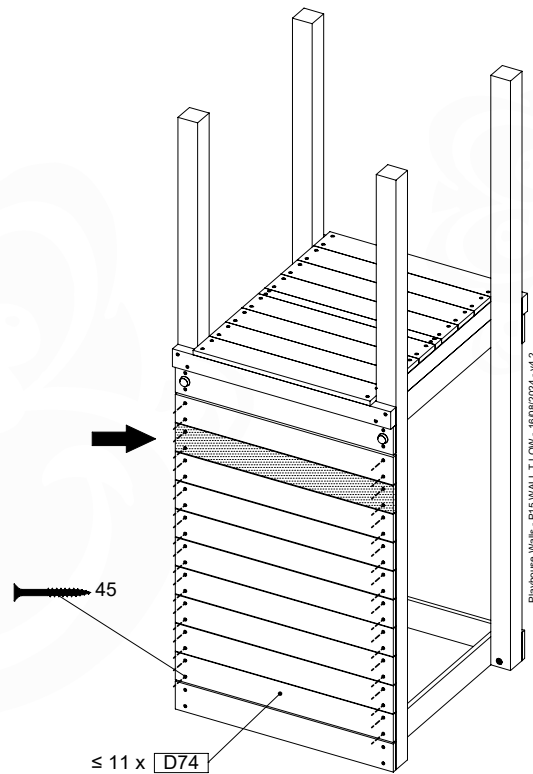
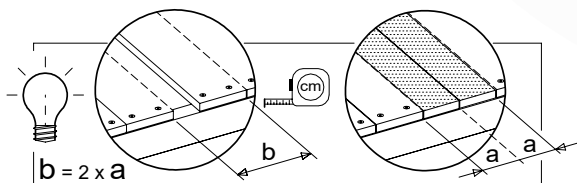
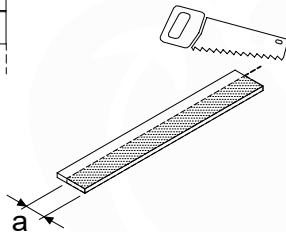
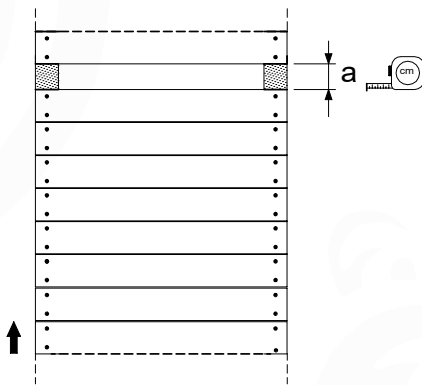
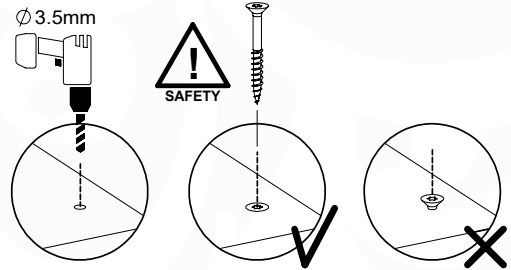
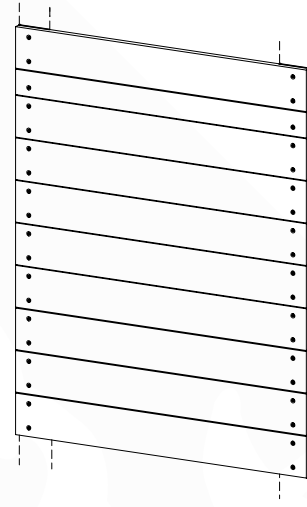


18 PH64a: Playhouse Wall 80 T Low

Assembly Pack: 194_111

| | PartNo | PartName | QTY. |
|---------------|---------|----------------------------|------|
| Hardware Pack | 002_220 | Gap Point Screw T25 - 5x45 | 44 |
| Timber | D74 | Board 740 mm | 11 |

Playhouse Walls - PH WALL T - 18082024 - v4.2

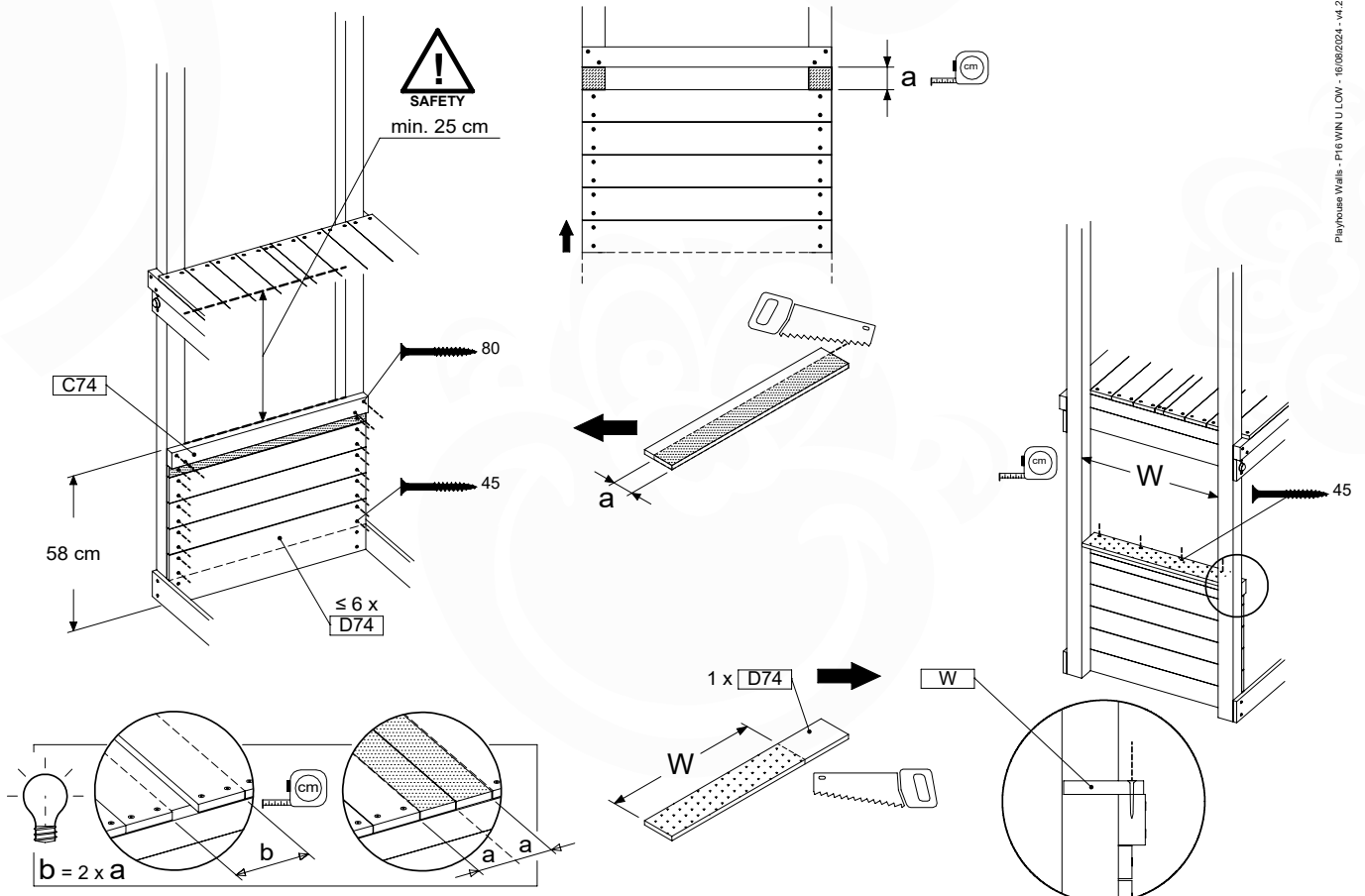
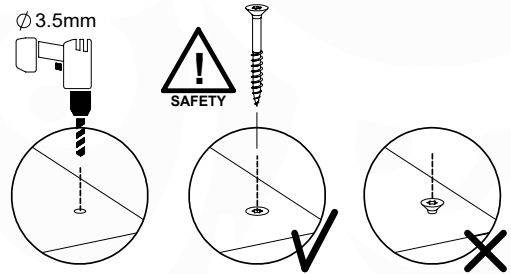
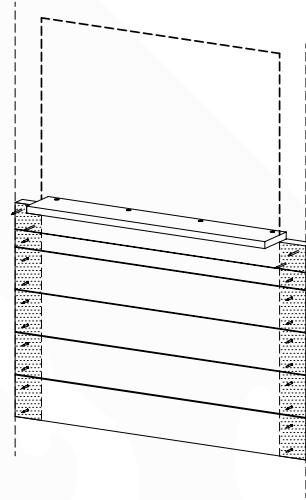


19 PH65a: Playhouse Window 80 U Low

Assembly Pack: 194_501

| | PartNo | PartName | QTY. |
|------------------|---------|----------------------------|------|
| Hardware + Parts | 002_220 | Gap Point Screw T25 - 5x45 | 28 |
| | 002_223 | Gap Point Screw T25 - 5x80 | 4 |
| Timber | C74 | Beam 740 mm | 1 |
| | D74 | Board 740 mm | 7 |

Playhouse Walls - P18 WIN U LOW - 16/08/2024 - v4.2



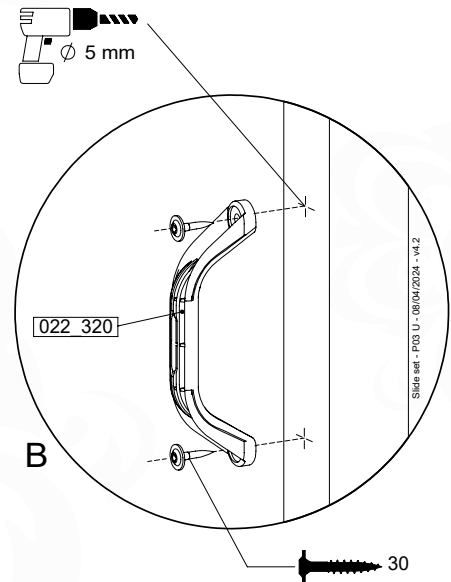
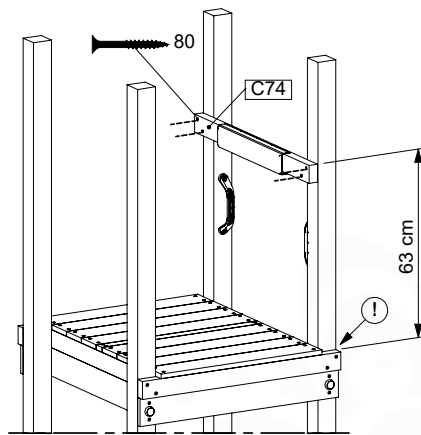
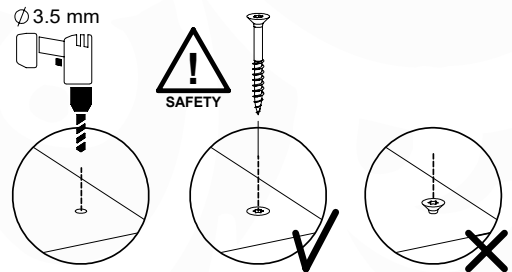
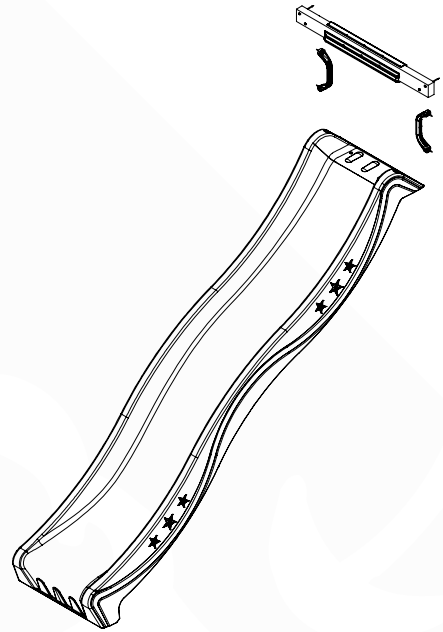
Playhouse Walls - P18 WIN U LOW - 16/08/2024 - v4.2

20 SL01a: Slide 80 125 U

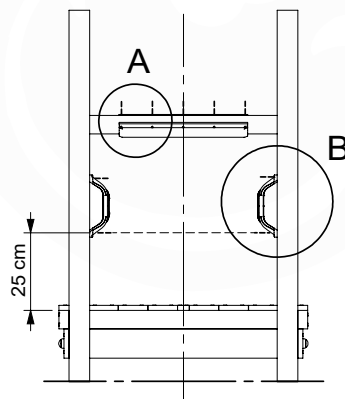
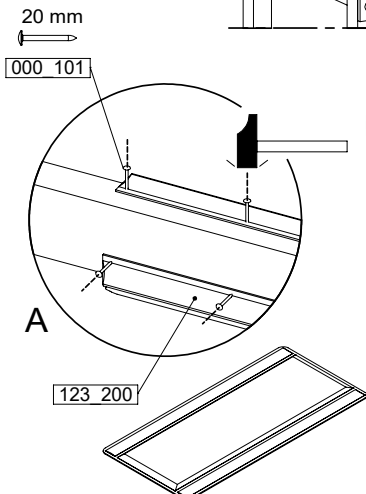
Assembly Pack: 194_107

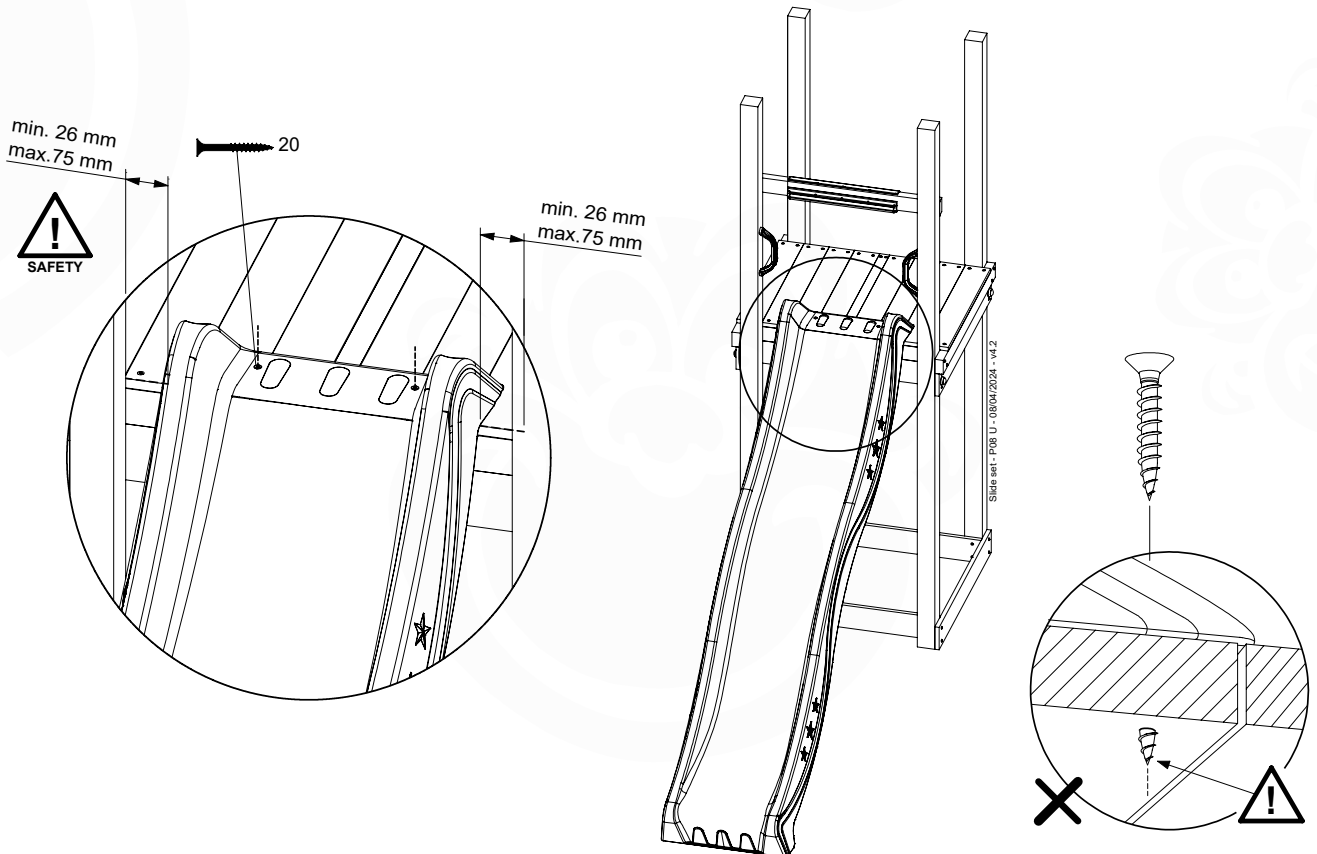
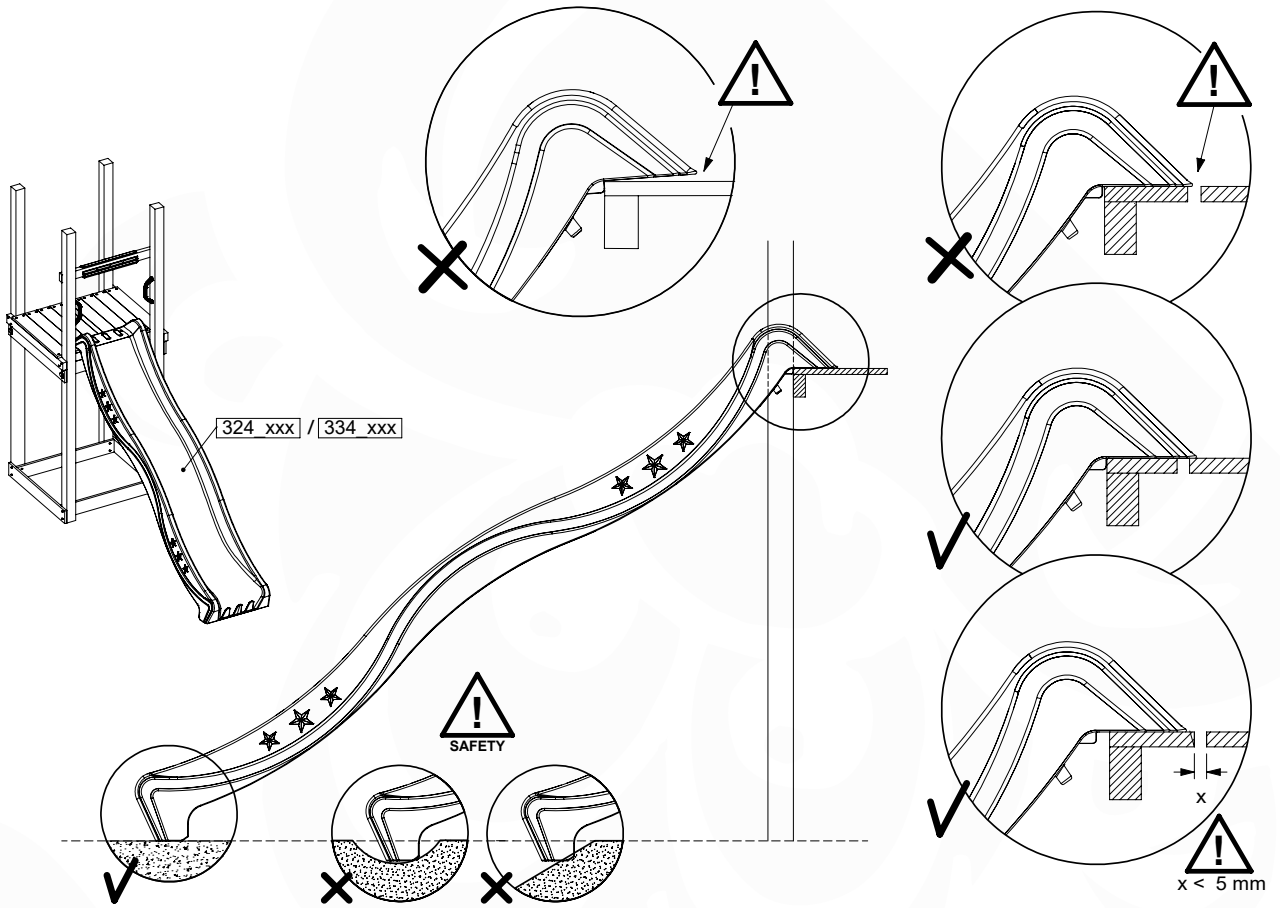
| | PartNo | PartName | QTY. |
|--------------------------|--------------------|--|------|
| Hardware Pack 100_605 | 000_101 | Nail Pan Head | 10 |
| | 002_223 | Gap Point Screw T25 - 5x80 | 4 |
| | 002_308 | Gap Point Screw T25 - 5x20 | 2 |
| Other | 120_102 | Handgrip set (2x Complete) | 1 |
| | 123_200 | Bumperpad | 1 |
| | 324_xxx 334_xxx | Wavy Star Slide XL 2200 mm / Wavy Star Slide XL 2650 mm | 1 |
| Timber | C74 | Beam 740 mm | 1 |

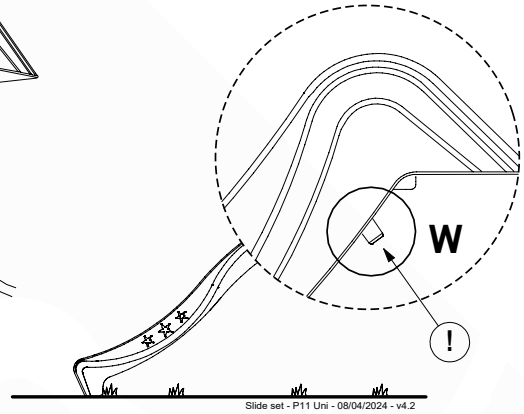
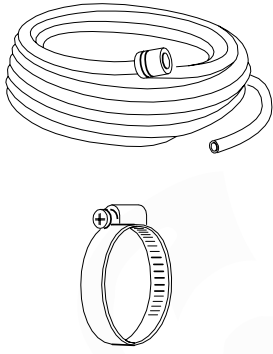
Slide set - P02 - 08/04/2024 - v4.2



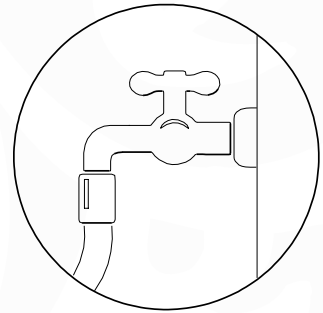
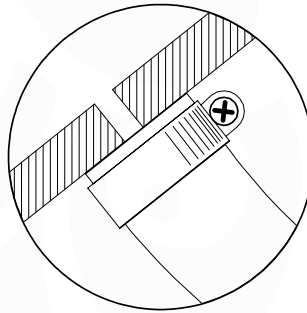
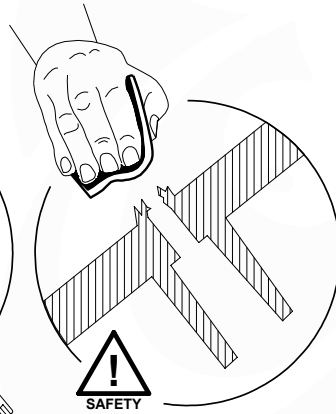
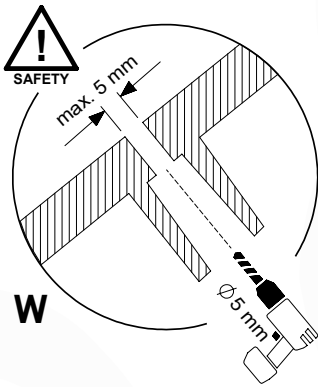
Slide set - P03 U - 08/04/2024 - v4.2



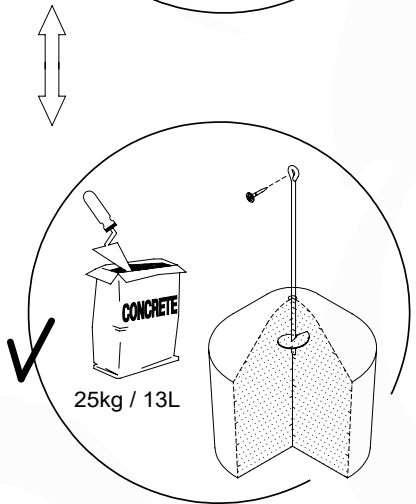
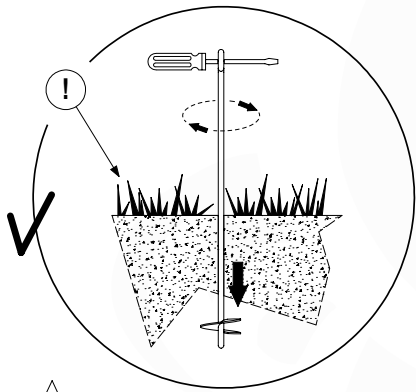




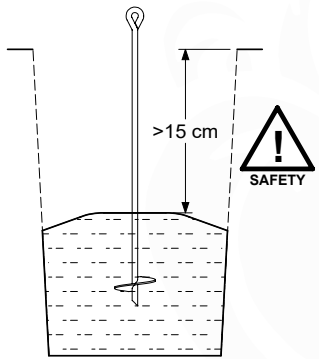
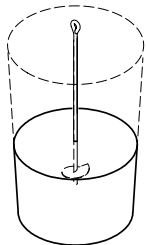
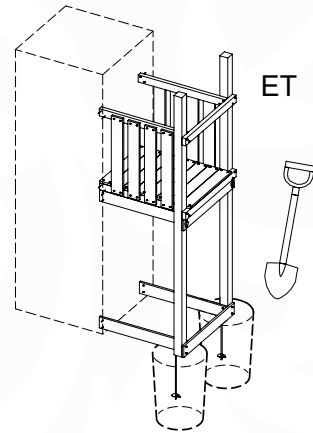
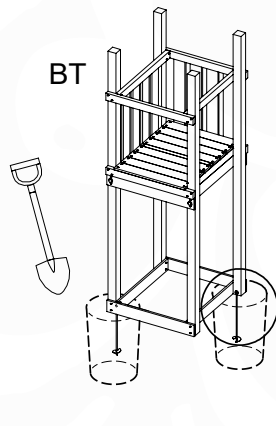
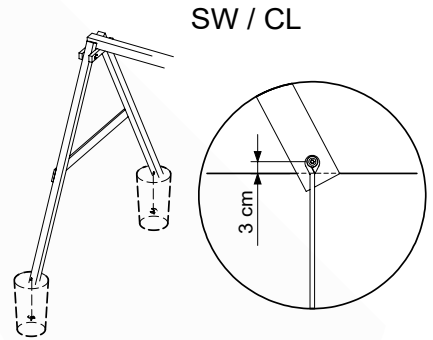
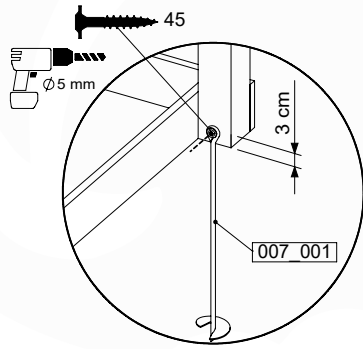
Slide set - P11 Unj - 08/04/2024 - v4.2



21 GA: Ground Anchors



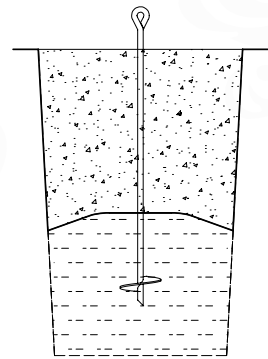
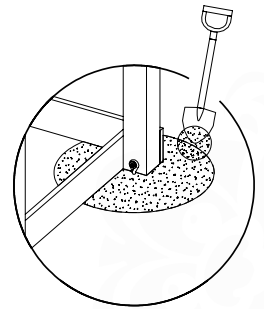
Ground Anchors Uhl. - PD3 - 14/06/2024 - v1.5



1.



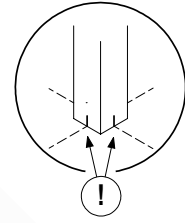
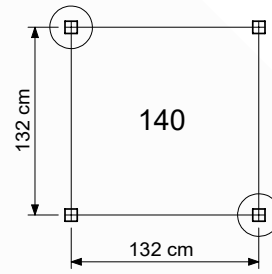
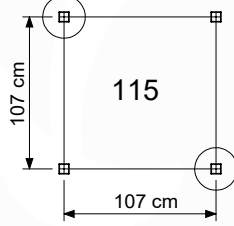
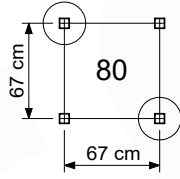
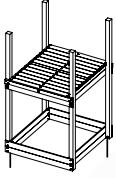
2.



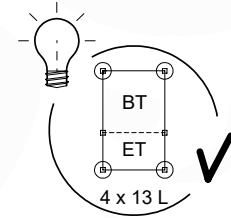
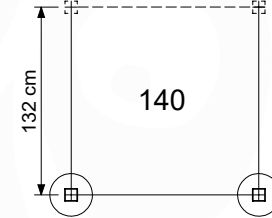
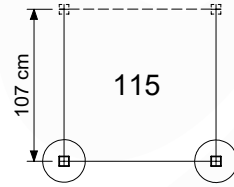
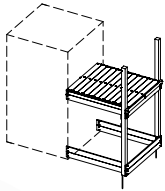
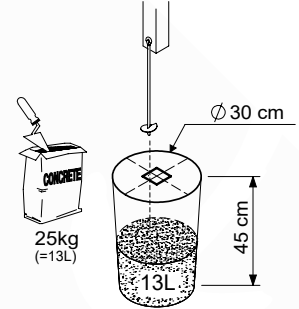
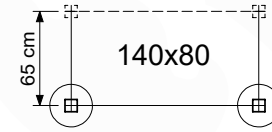
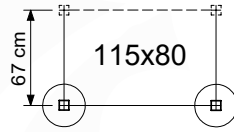
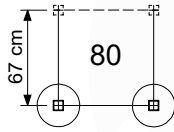
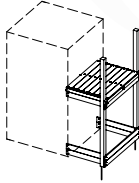
3.

Ground Anchors Uhl. - PD4 - 14/06/2024 - v1.5

BASE TOWERS

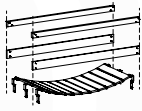


EXTENSION TOWERS

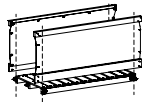


Ground Anchors Uni. - P01 - 14/06/2024 - v1.5

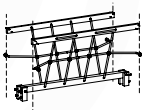
BRIDGES



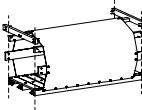
CLATTER



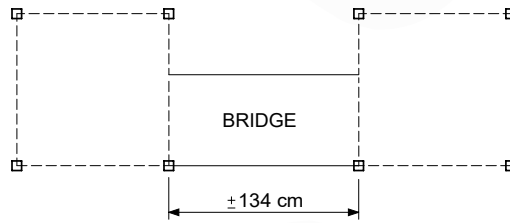
BOARDWALK



NET



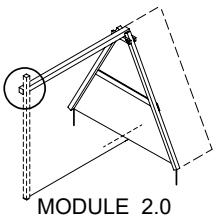
TUNNEL



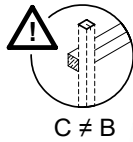
BRIDGE

Ground Anchors Uni. - P02 - 14/06/2024 - v1.5

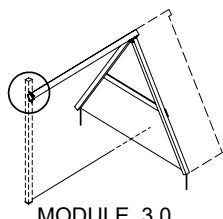
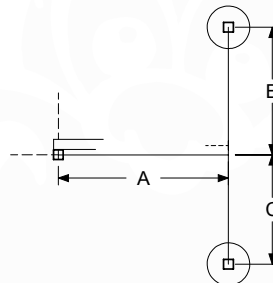
SWING / CLIMB



MODULE 2.0



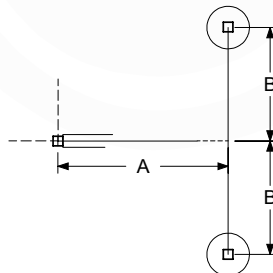
C ≠ B



MODULE 3.0



(C = B)



| MODULE 2.0 | Module type | A | B | C |
|------------|---------------------|-----|-----|-----|
| | 1-Swing 200 | 150 | 115 | 100 |
| | 1-Swing 220 (Extra) | | 120 | 105 |
| | 1-Climb 200 | 142 | | |
| | 2-Climb 200 | 210 | 115 | 100 |
| | 2-Swing 200 | | | |
| | 1-Climb 220 (Extra) | 162 | | |
| | 2-Climb 220 (Extra) | 230 | 120 | 105 |
| | 2-Swing 220 (Extra) | | | |

cm

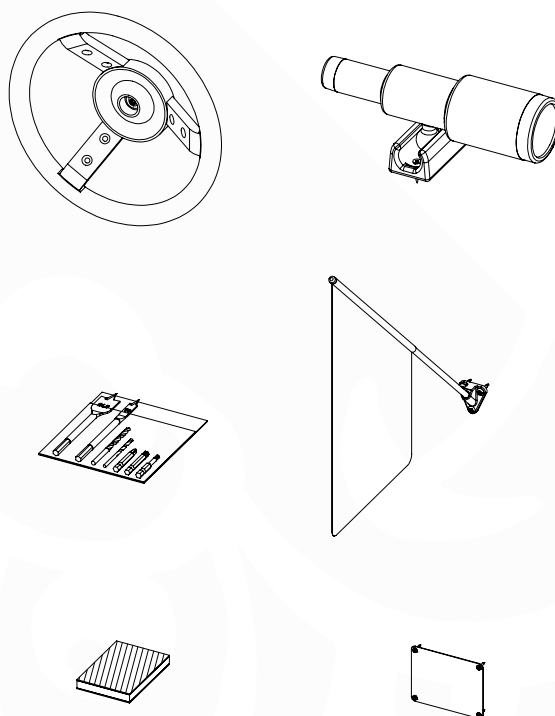
| MODULE 3.0 | Module type | A | B |
|---------------------------|---------------------------|-----|-----|
| | 1-Swing 200 - 3.0 | 155 | 110 |
| | 1-Swing 220 (Extra) - 3.0 | | 115 |
| | 1-Climb 200 - 3.0 | 148 | |
| | 2-Climb 200 - 3.0 | 222 | 110 |
| | 2-Swing 200 - 3.0 | 215 | |
| | 1-Climb 220 (Extra) - 3.0 | 170 | |
| | 2-Climb 220 (Extra) - 3.0 | 242 | 115 |
| 2-Swing 220 (Extra) - 3.0 | 235 | | |

cm

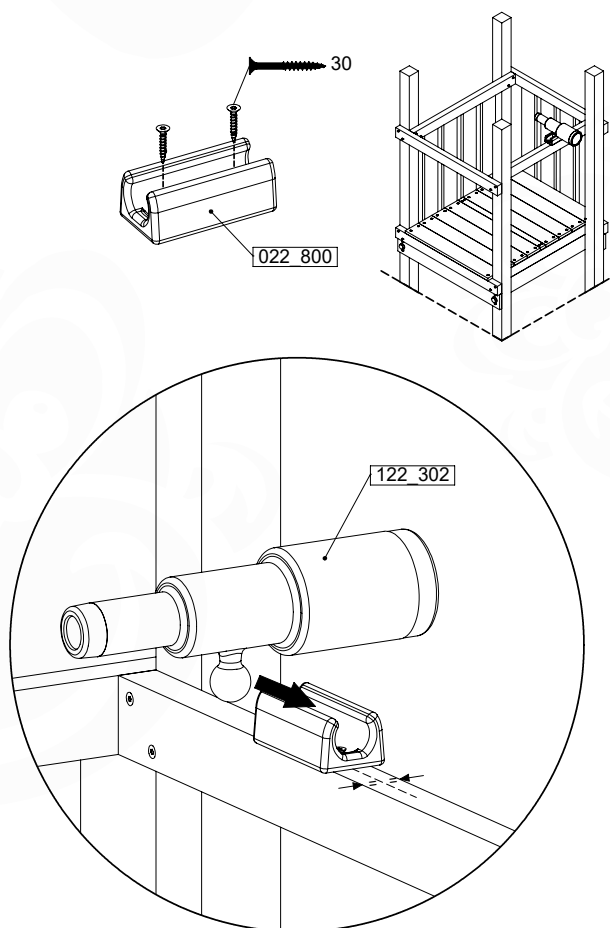
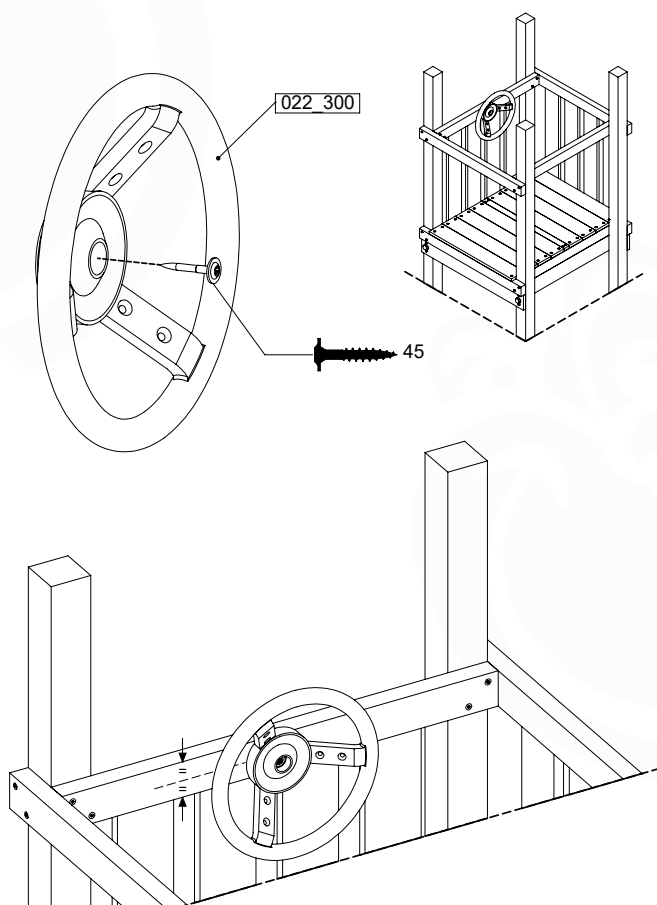
22 AC01a: Accessories

(194_119)

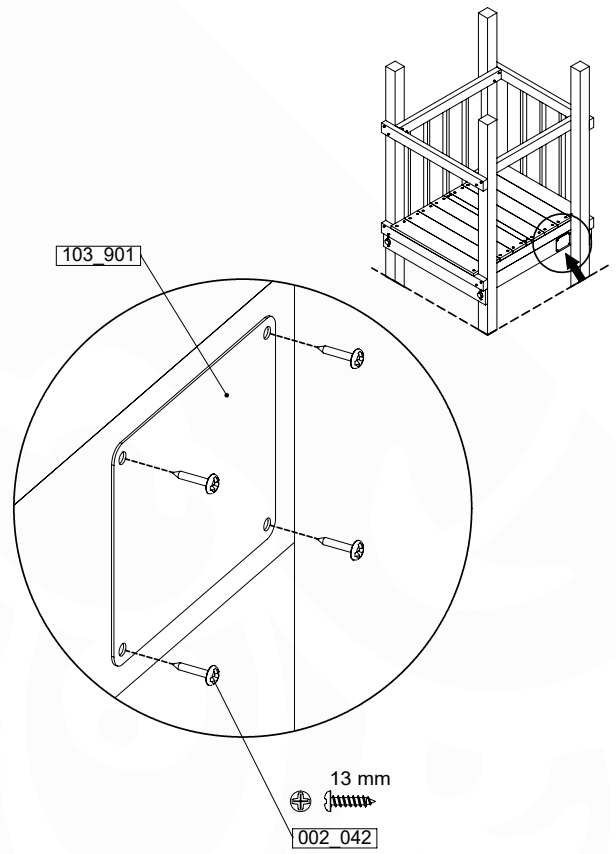
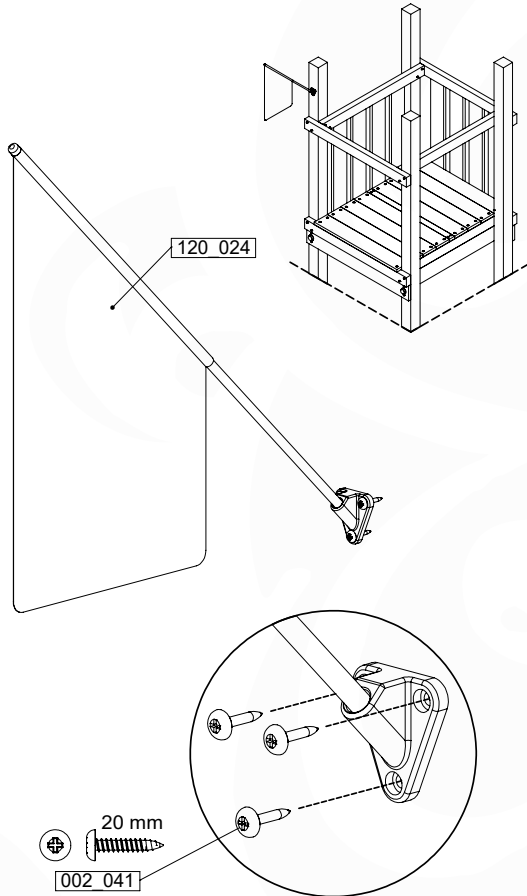
| | PartNo | PartName | QTY. |
|--------------------------|---------|-----------------------------|------|
| Hardware Pack 100_617 | 001_406 | Stealth Screw 8x45 | 1 |
| | 002_041 | Dome head screw 4.5 x 20 mm | 3 |
| | 002_042 | Dome head screw 3.5 x 13mm | 4 |
| | 002_219 | Gap Point Screw T25 - 5x30 | 2 |
| Other | 022_300 | Steering Wheel | 1 |
| | 022_800 | Rail P/T 105 | 1 |
| | 022_910 | Sandpad | 1 |
| | 103_901 | Logo ID Plate | 1 |
| | 104_107 | Tool Set Climbing Units | 1 |
| | 120_024 | Tower Flag | 1 |
| | 122_302 | Telescope | 1 |



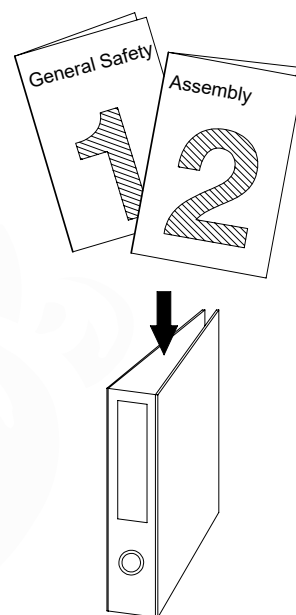
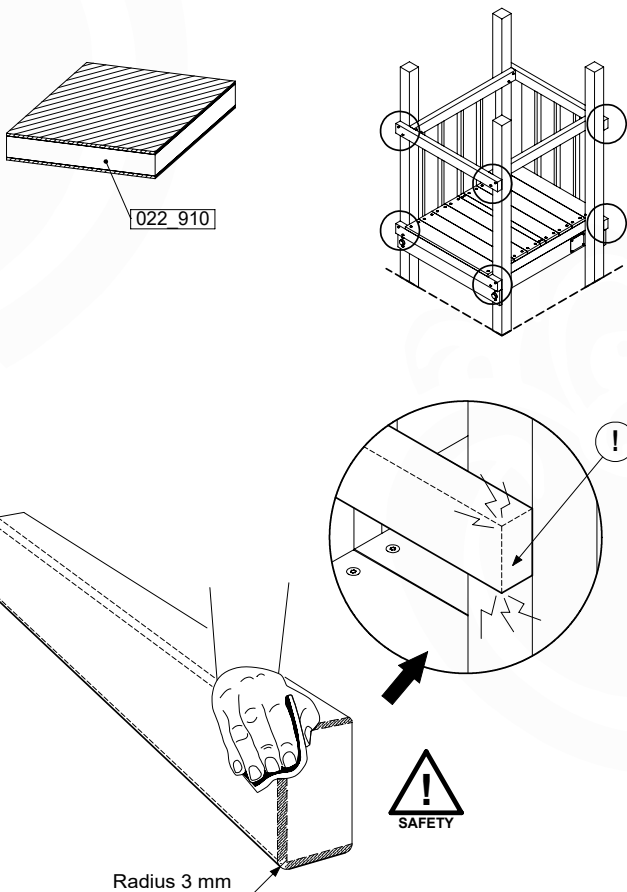
Accessory set - P02 - 24/01/2024 - v5



Accessory set - P03 - 24/01/2024 - v5



Accessory set - P04 - 24/01/2024 - v5



Accessory set - P05 - 24/01/2024 - v5

23 Declaration of conformity

Activity toys for domestic use Aktivitätsspielzeug für den häuslichen Gebrauch Jouets d'activité à usage familial

1. Wooden climbing frames

20241017_v3

1.1. Assemblies

| | |
|------------|---|
| Playtowers | 801_005, 801_009, 801_010, 801_013, 801_025, 801_040, 801_060, 801_070, 801_090, 801_095, 801_100, 801_103, 801_105, 801_110, 801_120, 801_200, 802_202, 802_204, 802_206, 802_208, 803_202, 803_204, 803_206, 803_208, 803_210, 809_802, 809_804 |
| Swings | 801_300, 801_601, 801_602 |
| Modules | 850_176, 850_177, 850_231, 850_232, 857_101, 857_102, 857_105, 857_106, 857_151, 857_152, 857_157, 857_158, 850_240 |

1.2. Sub assemblies

| | |
|----------------------------------|--|
| Base towers (BT) | BT01a, BT02a, BT03a, BT11a, BT14a, BT15a, BT20a |
| Extension towers (ET) | ET01a, ET02a, ET05a, ET06a, ET07a, ET08a, ET09a, ET10a, ET11a, ET12a, ET13a, ET14a, ET15a, ET16a, ET17a, ET18a, ET19a, ET20a, ET22a, ET23a, ET27a, ET28a, ET35a, ET29a, ET39a, ET40a |
| Bridges (CB, NB, BB, TB) | CB01a, NB01a, BB01a, BB02a, TB01a, TB02a, TB03a, TB04a |
| Roofs (RF) | RF01a, RF21a, RF02a, RF03a, RF04a, RF05a, RF06a, RF20a, RF02b, RF03b, RF07a, RF08a, RF22a, RF09a, RF23a, RF11a, RF12a, RF07b, RF12b, RF08b, RF22b, RF09b, RF23b, RF11b, RF14a, RF24a, RF15a, RF25a, RF18a, RF18b, RF14b, RF24b, RF15b, RF25b, BF03b, BF04b, BF05b, BF06b, BF07b, BF08b, BF21a, BF22a, BF23a, BF24a, BF21b, BF22b, BF23b, BF24b |
| Balustrade (BL, BF) | BL01a, BL02a, BL21a, BF25a, BF26a, BF27a, BF28a, BF01a, BF02a, BF03a, BF04a, BF05a, BF06a, BF07a, BF08a, BF01b, BF02b, BF03b, BF04b, BF05b, BF06b, BF07b, BF08b, BF21a, BF22a, BF23a, BF24a, BF21b, BF22b, BF23b, BF24b |
| Playhouse (PH) | PH03a, PH04a, PH05a, PH06a, PH10a, PH11a, PH40a, PH41a, PH12a, PH13a, PH14a, PH15a, PH42a, PH43a, PH44a, PH45a, PH16a, PH17a, PH18a, PH19a, PH30a, PH31a, PH16b, PH17b, PH18b, PH19b, PH46a, PH47a, PH48a, PH49a, PH16c, PH17c, PH18c, PH19c, PH46b, PH47b, PH48b, PH49b, PH20a, PH21a, PH22a, PH23a, PH24a, PH25a, PH26a, PH27a, PH32a, PH33a, PH52a, PH53a, PH54a, PH55a, PH56a, PH57a, PH50a, PH51a, PH26b, PH27b, PH26c, PH27c, PH56b, PH57b |
| Ladder (LA) | LA05a, LA06a, LA01a, LA02a, LA03a, LA01b, LA02b, LA03b, LA11a, LA12a, LA13a, LA14a, LA15a, LA16a, LA17a, LA18a, LA31a, LA32a, LA33a, LA34a, LA35a, LA36a, LA37a, LA38a, LA21a, LA22a, LA23a, LA24a, LA25a, LA26a, LA43a, LA44a, LA45a, LA46a |
| Two Step Ladder (TS) | TS01a, TS01b, TS02a, TS02b, TS03b, TS22a, TS05a, TS06a, TS07a, TS08a, TS09a, TS10a, TS11a, TS12a, TS15a, TS16a, TS17a, TS18a, TS19a, TS20a, TS21a, TS22a |
| Rope Ladder (RL) | RL01a, RL02a, RL05a, RL06a, RL07a, RL08a, RL09a, RL10a, RL11a, RL12a, RL15a, RL16a, RL19a, RL20a |
| Rock wall (RW) | RW01a, RW02a, RW01b, RW02b, RW03b, RW31a, RW32a, RW33a, RW05a, RW06a, RW07a, RW08a, RW09a, RW10a, RW11a, RW12a, RW40a, RW41a, RW15a, RW16a, RW17a, RW18a, RW19a, RW20a, RW46a, RW47a |
| Ramp (RA) | RA03a, RA04a, RA21a, RA05a, RA06a, RA07a, RA08a, RA05b, RA06b, RA07b, RA08b, RA11a, RA12a, RA09b, RA10b, RA11b, RA12b |
| Net (NA, NS) | NA01a, NA02a, NS01a, NS02a, NS03a, NS21a, NA04a, NA05a, NS04a, NS05a, NS06a, NS07a, NA08a, NA09a, NS08a, NS09a |
| Boat (BO) | BO01a |
| Market (MT) & Target Canvas (TC) | MT01a, MT02a, TC01a, TC02a, MT01b, MT02b, TC01b, TC02b, MT05a, MT06a, MT11a, MT12a |
| Picnic (PC) | PC01a, PC01b, PC05a, PC06a, PC09a, PC10a |
| Gymnastics bar (GY) | GY01a |
| Fireman's pole (FP) | FP01a, FP02a, FP04a, FP05a, FP06a, FP07a, FP23a, FP24a, FP25a, FP26a, FP27a, FP28a |
| Slides (SL) | SL01a, SL02a, SL03a, SL06a, SL07a, SL08a, SL09a, SL10a, SL11a, SL12a, SL13a, SL26a, SL27a, SL28a, SL29a |
| Swing (SM) | SW17a, SW21a, SW18a, SW22a, SW19a, SW23a, SW01a, SW05a, SW02a, SW06a, SW03a, SW07a, SW09a, SW13a, SW10a, SW14a, SW11a, SW15a |
| Climb (CL) | CL17a, CL21a, CL18a, CL22a, CL19a, CL23a, CL01a, CL05a, CL02a, CL06a, CL03a, CL07a, CL09a, CL13a, CL10a, CL14a, CL11a, CL15a |
| Universal Beam (UB) | UB01a, UB04a, UB02a, UB05a, UB03a, UB06a, UB07a, UB08a |
| Accessories (AC) | AC40a, AC30a, AC31a, AC32a, AC33a, AC01a, AC05a, AC07a, AC03a, AC04a, AC06a, AC23a, AC22a, AC24a, AC21a, AC25a, AC02a, AC09a, AC08a, AC10a |

2. Construction packages

2.1 Assembly Kits

| | |
|------------|---|
| Playtowers | 401_015, 401_080, 401_125, 402_201, 402_202, 402_204, 402_206, 402_208, 403_202, 403_204, 403_206, 403_208, 403_210, 409_802, 409_804 |
| Swings | 401_300, 401_600 |
| Modules | 457_005, 457_102, 457_103, 457_106, 457_107, 457_205 |

2.2 Assembly Packs

| | |
|----------------|--|
| Sub assemblies | 194_002, 194_003, 194_004, 194_006, 194_007, 194_008, 194_009, 194_010, 194_100, 194_101, 194_102, 194_103, 194_104, 194_105, 194_107, 194_108, 194_109, 194_110, 194_111, 194_112, 194_113, 194_114, 194_115, 194_116, 194_117, 194_118, 194_119, 194_300, 194_308, 194_312, 194_500, 194_501, 194_508, 194_510, 194_802, 194_804, 194_809, 194_810, 194_811, 194_812 |
|----------------|--|

3. Accessories and components

| | |
|----------------|--|
| Slides XL | 324_100, 324_200, 324_300, 324_400, 324_500, 324_600 |
| Slides XXL | 334_100, 334_200, 334_300, 334_400, 334_500, 334_600 |
| Fireman's pole | 201_275 |
| Climbing | 201_060, 201_273 |
| Imagination | 201_280, 201_285, 201_290, 201_295, 202_473, 450_310, 450_320, 450_330 |
| Swinging | 250_001, 250_013, 250_025, 250_034, 250_053 |
| Functional | 123_220, 123_222, 123_230, 201_115, 201_220, 201_250, 201_260, 201_270, 202_620, 202_621, 202_622, 202_623, 202_624, 202_625, 202_626, 202_627, 202_628, 202_629, 202_824, 250_065, 250_070, 250_075 |

Applicable EU directives and standards

General

- General Product Safety Directive (GPSD) 2001\48\EG
- Reach directive 1907\2006
- AfPS GS 2019:01 PAK

Activity Toys

- Toy Safety Directive (TSD) 2009\48\EG
- EN Standard 71 Safety of Toys
 - EN 71-1:2014 + A1:2018 Safety of toys Mechanical and physical properties
 - EN 71-2:2020 Flammability
 - EN 71-3:2019 + A1:2021 Migration of certain elements
 - EN 71-8:2018 Safety of toys Activity toys for domestic use

Supplementary information

Conformity to the above specified directives and standards has been frequently verified by TÜV Rheinland LGA products, DEKRA, LNE SA, since 1994. Jungle Gym participates in the European Commission for standardisation for the safety of activity toys (TC52/WG10).



Manufacturer details

Company Name: Jungle Gym B.V.
Address: Valschermkade 18, 1059 CD Amsterdam, Netherlands
Email: info@junglegym.com

Declaration

I hereby declare under our sole responsibility that the products mentioned above, to which this declaration relates, comply with the above mentioned directives and standards when the installation, assembly, and maintenance instructions are strictly followed.

Name
Mr. P. Schmit / Director

Issued date
Tuesday 5th November, 2024

A handwritten signature in blue ink, appearing to read 'P. Schmit', is written over a horizontal line.

Signature of representative

Jungle Gym B.V. | P.O. Box 75083 | 1070 AB Amsterdam | Netherlands | Phone: +31 85 444 41 00 | e-mail: info@junglegym.com | www.junglegym.com