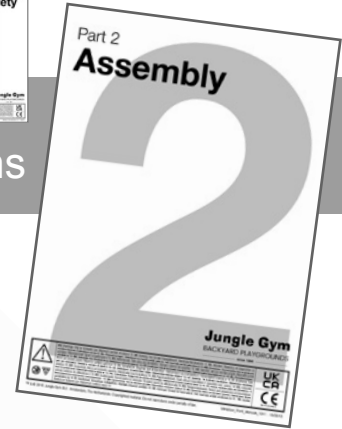


Part 2

Assembly

Instructions



Config ID: hnmeZW
 Product Name: 1-Climb Module 220 Extra - 3.0
 Product ID: 211429
 Manual ID: 040_190_2611






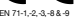


Watch in 3D



Jungle Gym

BACKYARD PLAYGROUNDS

since 1988

<p>Assembly time 1.5 hours by 2 adults</p> 	 <p>EN. Warnings. Only for domestic use. Maximum number of users is 1. DE. Achtung. Nur für den Hausgebrauch. Maximale Benutzerzahl: 1. FR. Attention. Réserve à un usage familial. Le nombre maximal d'utilisateurs est de 1. NL. Waarschuwingen. Uitsluitend voor huishoudelijk gebruik. Het maximale aantal gebruikers is 1. BG. Внимание. За употреба само в домашни условия. Максималният брой потребители е 1. CS. Varování. Jen pro domácí použití. Maximální počet uživatelů je 1. DA. Advarsler. Kun til privat brug. Maksimum antal brugere er 1. EL. Προειδοποιήσεις. Μόνο για οικιακή χρήση. Μέγιστος αριθμός χρηστών 1. ES. Advertencias. Sólo para uso doméstico. Número máximo de usuarios: 1. ET. Hoiatused. Ainult koduseks kasutamiseks. Maksimaalne kasutajate arv on 1. FI. Varoitukset. Ainoastaan kotikäyttöön. Käyttäjää yhteensä enintään 1. HR. Upozorenja. Samo za kućansku uporabu. Maksimalan broj korisnika je 1. HU. Figyelmeztetések. Csak otthoni használatra! A használók max. száma: 1. IS. Varnaðarorð. Eingöngu fyrir einkanothun í heimahúsum og á einkalóðum. Hámarksfjöldi notenda er 1. IT. Avvertenze. Solo per uso domestico. Massimo numero di utenti è 1. LT. Įspėjimai. Tik buitiniam naudojimui. Maksimalus naudotojų skaičius 1. LV. Brīdinājumi. Izmantot tikai mājās. Maksimālais lietotāju skaits ir 1. NO. Advarsler. Kun for privat bruk. Maksimalt antall brukere er 1. PL. Ostrzeżenia. Wyłącznie do użytku domowego. Maksymalna liczba użytkowników to 1. PT. Avisos. Apenas para uso doméstico. O número máximo de utilizadores é 1. RO. Avertismente. Numai pentru uz domestic. Numărul maxim de utilizatori este 1. RU. Предостережения. Только для домашнего использования. Максимальное количество пользователей - 1. SK. Upozornenia. Iba na domáce použitie. Maximálne množstvo osôb je 1. SL. Opozorila. Samo za domačo uporabo. Maksimalno število uporabnikov je 1. SR. Upozorenja. Samo za kućnu upotrebu. Maksimalan broj korisnika je 1. SV. Varningar. Endast för hemmabruk. Det maximala antalet användare är 1. TR. Uyarılar. Sadece ev kullanımı için. Maksimum kullanıcı sayısı 1.</p>	   
---	---	---

1 Helpdesk JungleGym

FAQ & Support



English



Deutsch



Français



Nederlands



info@junglegym.com



EU 0031 85 44 44 100

AT 0043 72 08 153 33

BE 0032 78 48 16 19

CH 0041 43 50 87 350

DE 0049 32 22 10 98 299

ES 0034 657 76 64 25

FR 0033 97 75 58 222

IE 0035 38 1800 0300

LU 0035 22 08 80 512

NL 0031 85 44 44 102

UK 0044 20 369 505 53

Monday-Friday,

CET 9:00am - 5:00pm

Local phone charges may apply.

2 Start

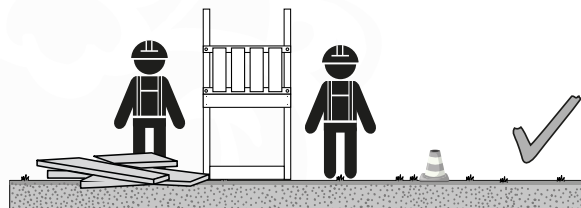
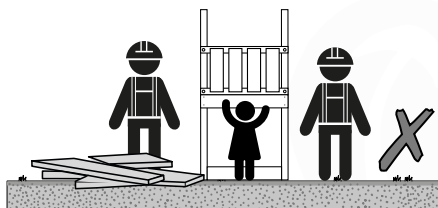
2.1 Safety



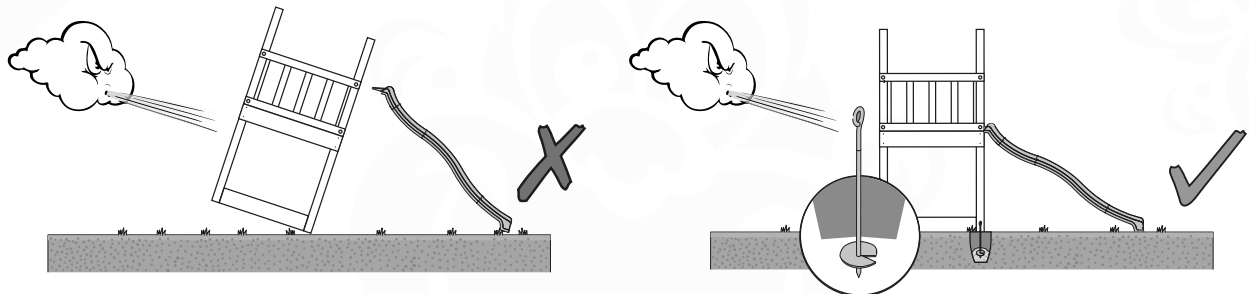
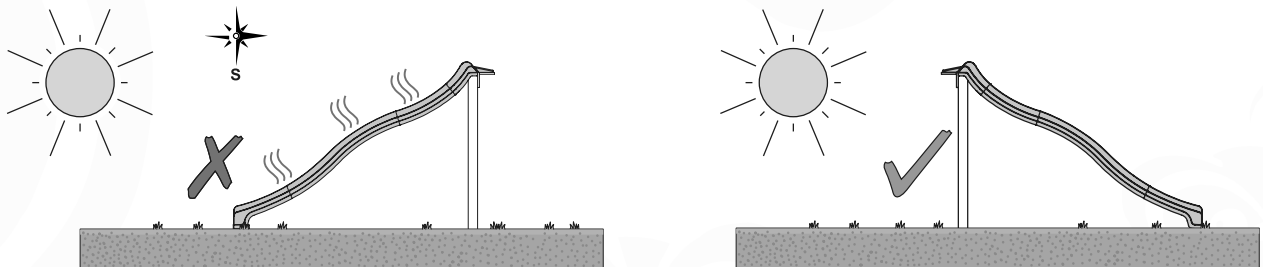
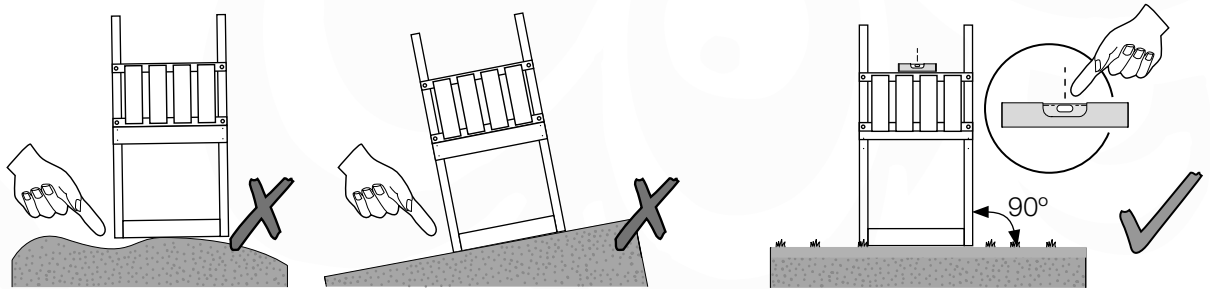
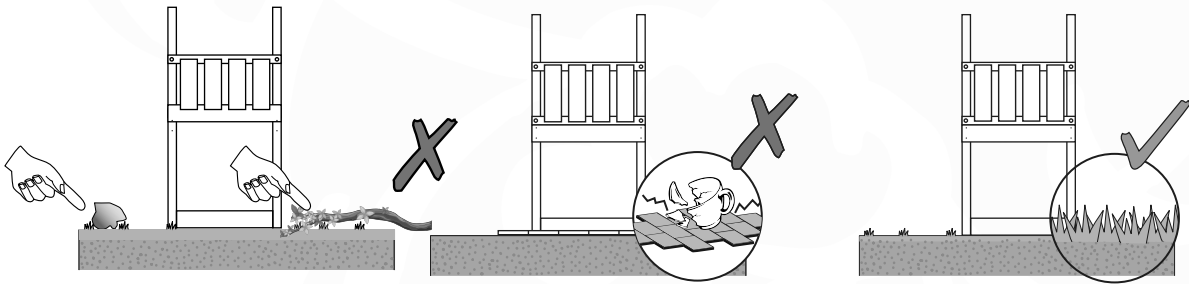
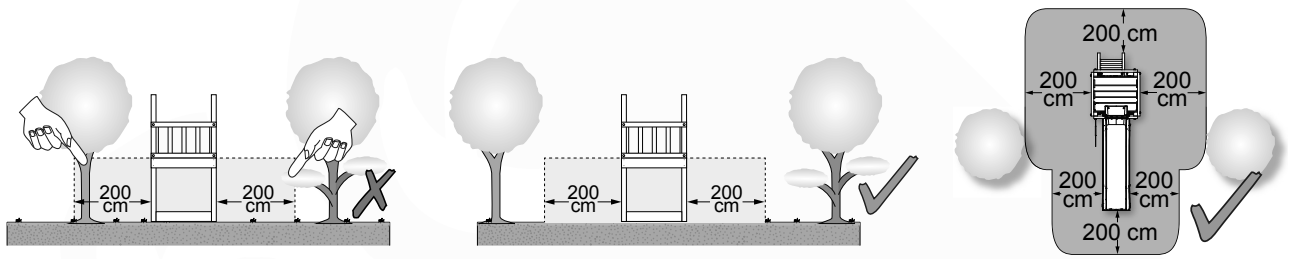
Download

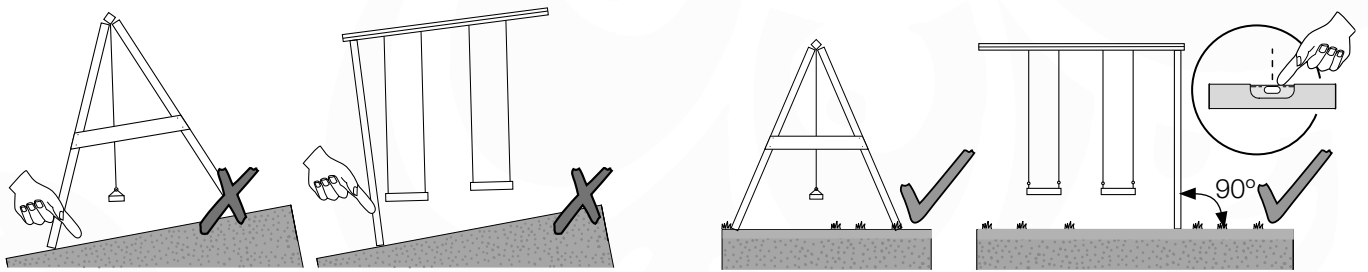
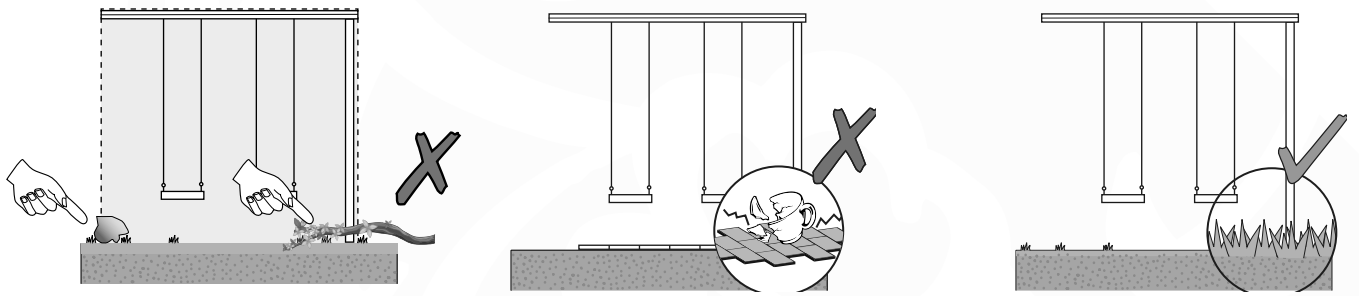
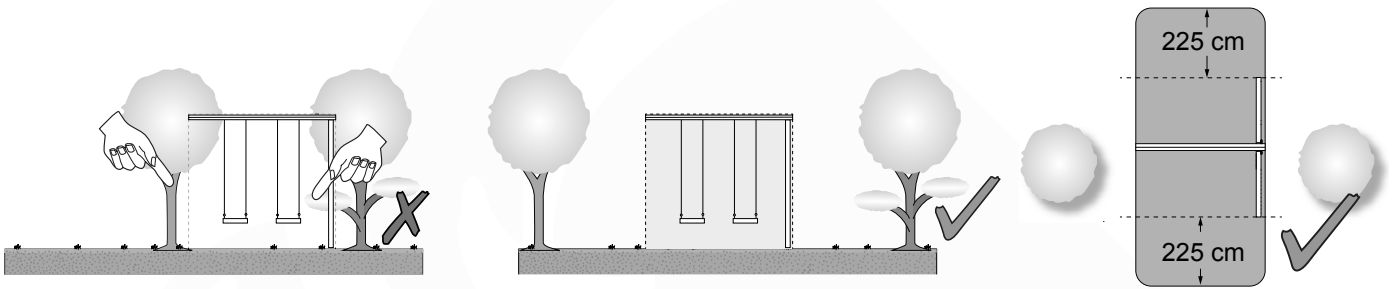


Part 1

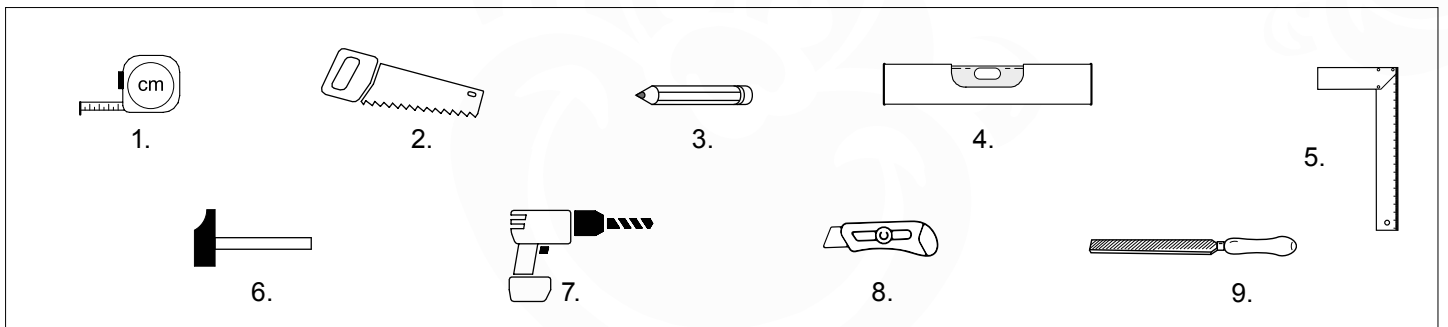


2.2 Planning

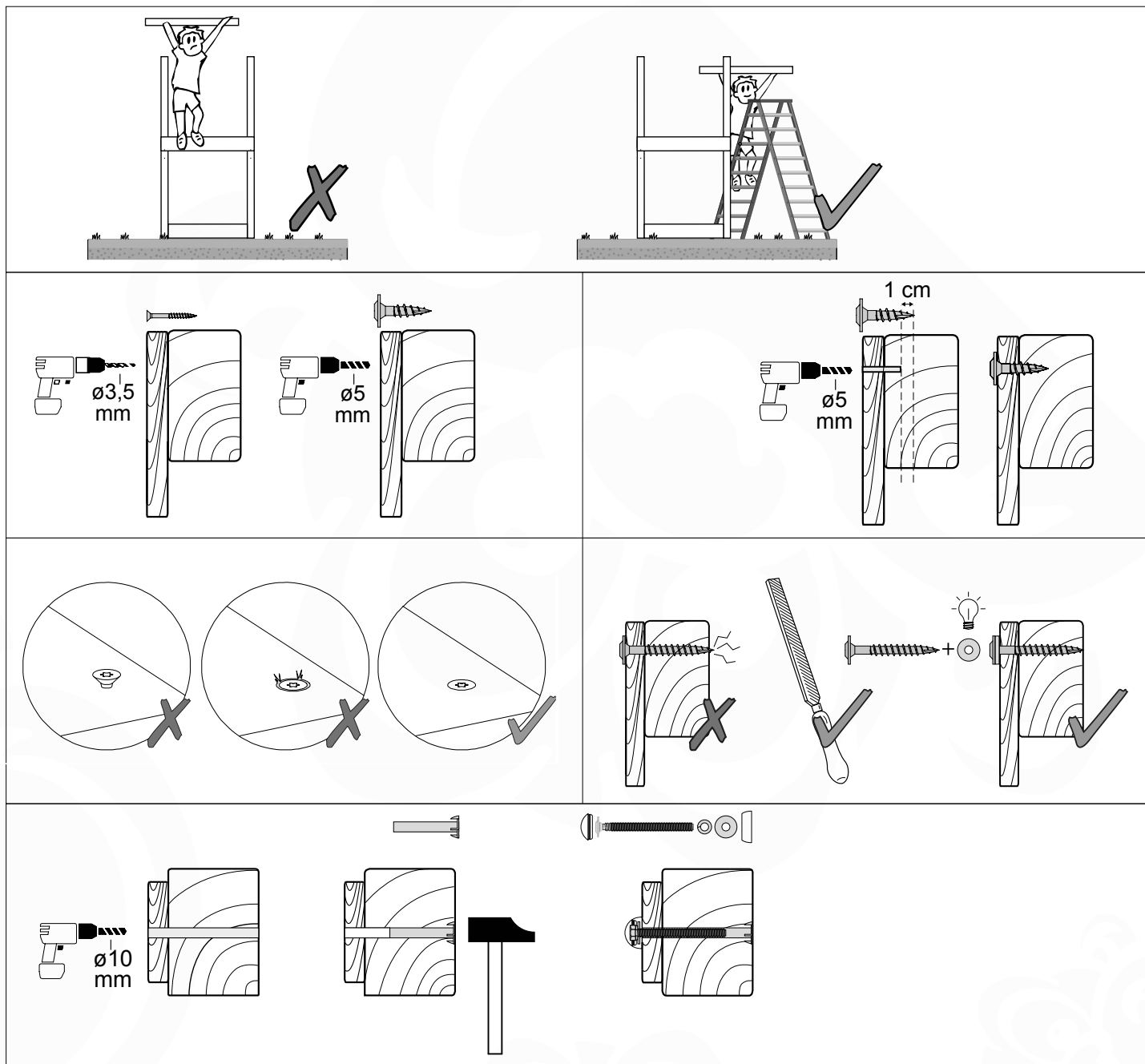




2.3 Tools



2.4 Assembly



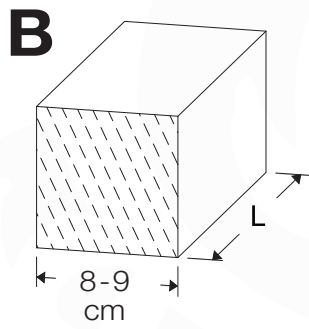
3 Overview

3.1 Order specification

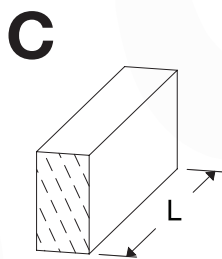


#	Description	Supplier ID	Assembly ID
1	1- Climb Module 220_Extra 3.0	750_233	CL18a

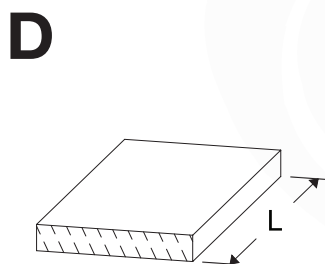
3.2 Timber parts



B240	239 cm - 240 cm	5
------	-----------------	---



C74	73 cm - 74 cm	8
-----	---------------	---



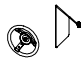
D74	73 cm - 74 cm	2
D141	140 cm - 141 cm	3


4.3 Assembly packs



Example

Accessory Set

 **AC**


 **1x**

194_119




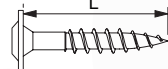






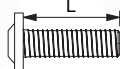
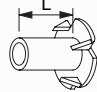

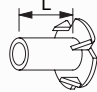


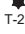
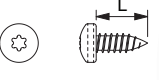









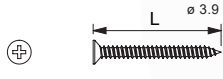




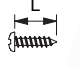




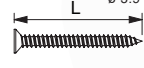
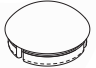

LOT:

2	5	1	1
---	---	---	---



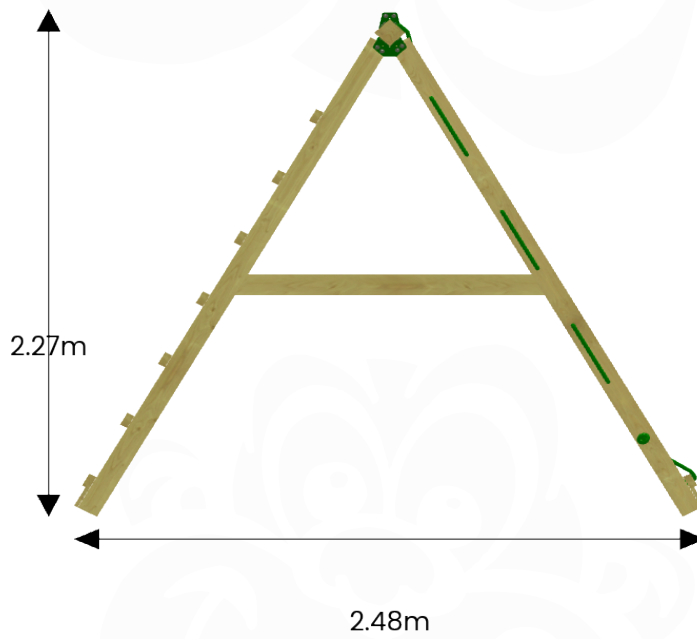
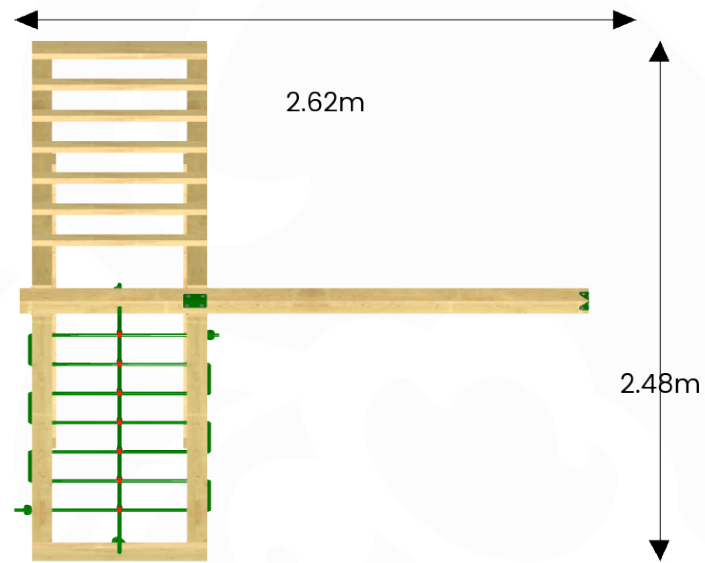
<p>Climb Module Kit</p>  <p>CL</p> <p>457_107</p> <p>1x</p> <p>LOT: <table border="1" data-bbox="183 1646 351 1680"> <tr> <td></td> <td></td> <td></td> <td></td> </tr> </table></p>								

5 Hardware Identification

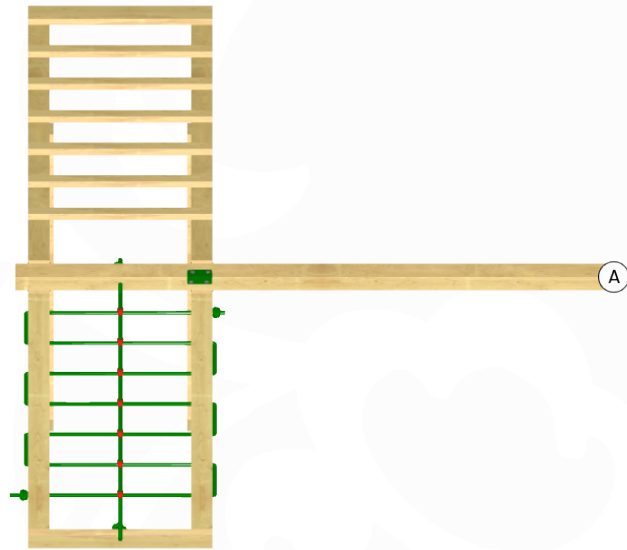
		SKU		L			SKU		L	
				001_404 001_406 001_411 001_417 001_422	30 mm 45 mm 60 mm 80 mm 137 mm				002_308 002_219 002_220 002_223	20 mm 30 mm 45 mm 80 mm
				001_102	30 mm				004_050	22mm
				000_101	20 mm				003_010	
				002_036	16 mm				003_034	
				002_041	20 mm				022_845 022_846 022_847 022_848	Yellow Blue Green Red
				002_042	13 mm				023_031	White
				002_301	40 mm				022_844	
									022_314	



output: 27/08/24

6 Dimensions



7 Assembly Planning



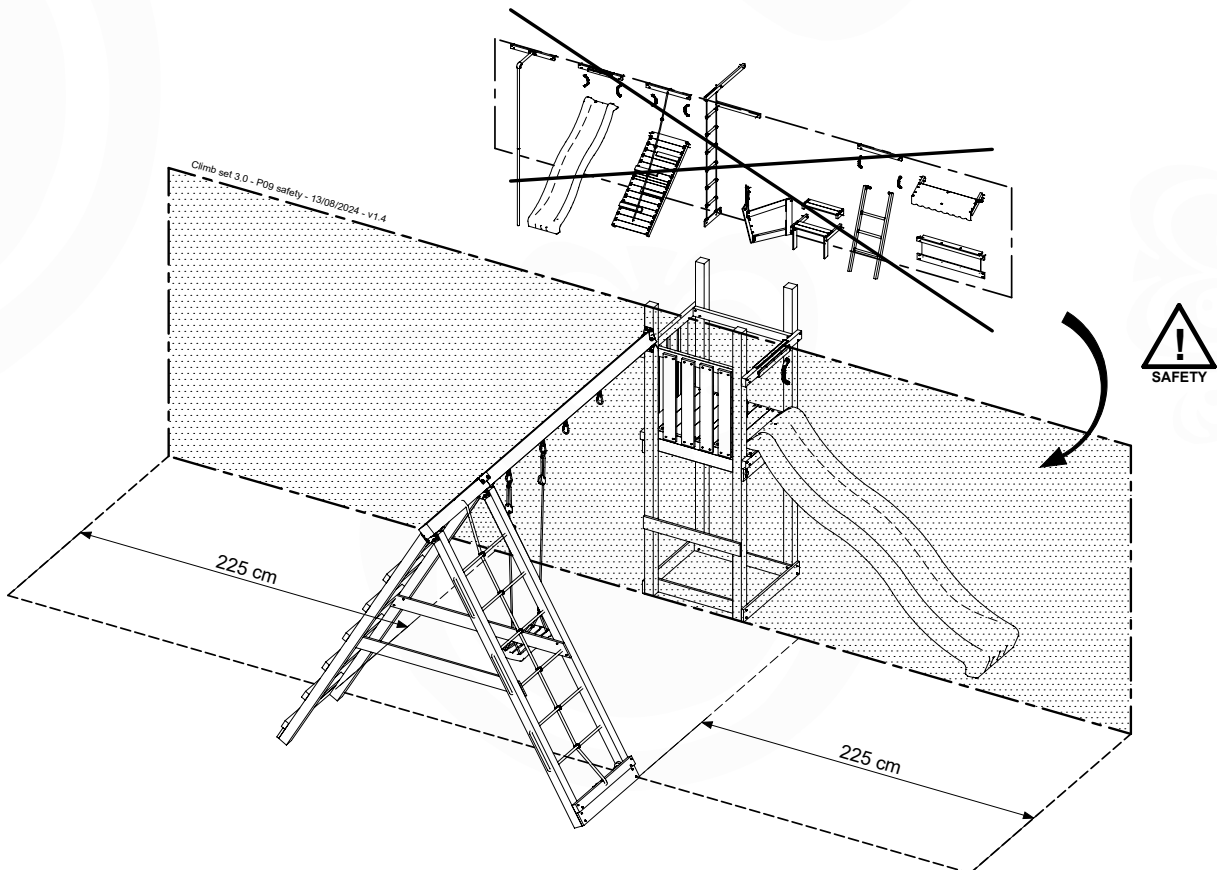
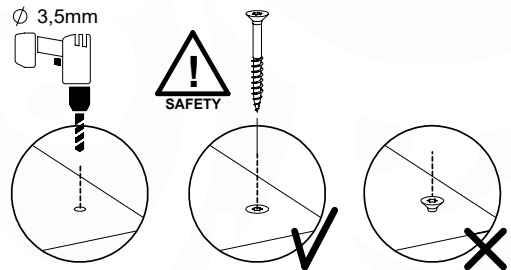
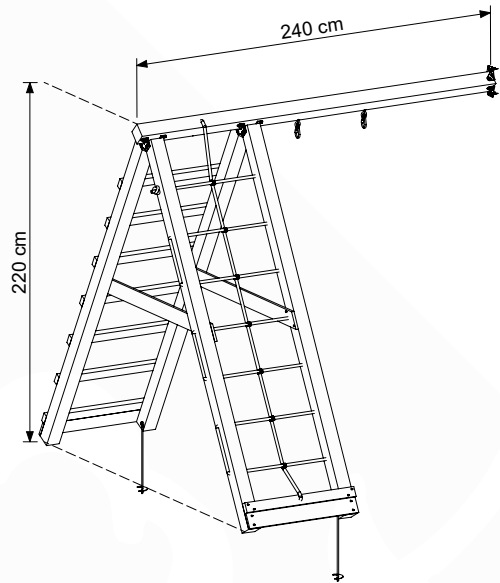
	ID			A
1	CL18a		p.13	✓
2	GA		p.24	✓

8 CL18a: 1- Climb Module 220 Extra - 3.0

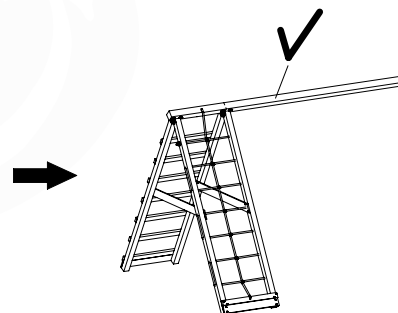
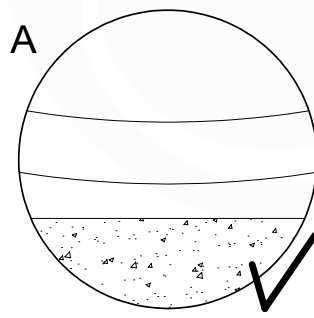
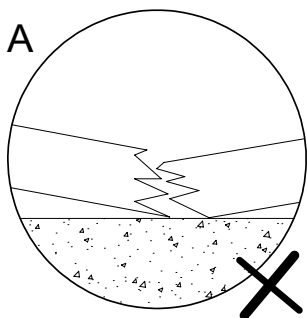
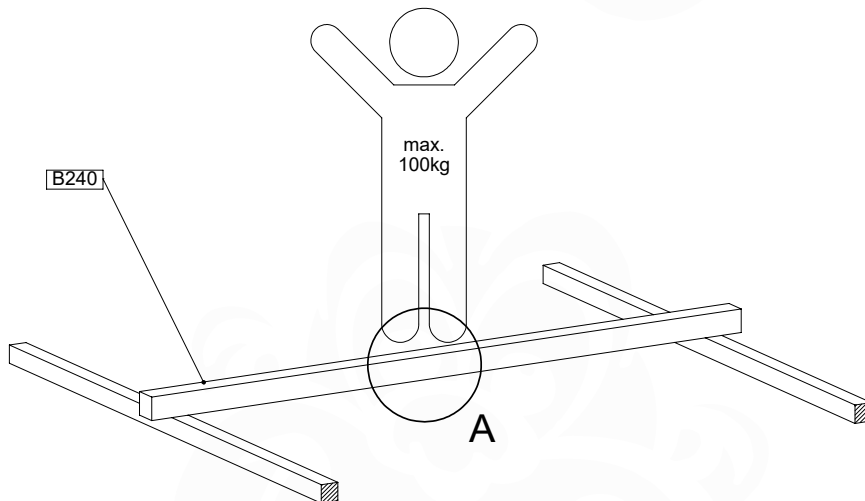
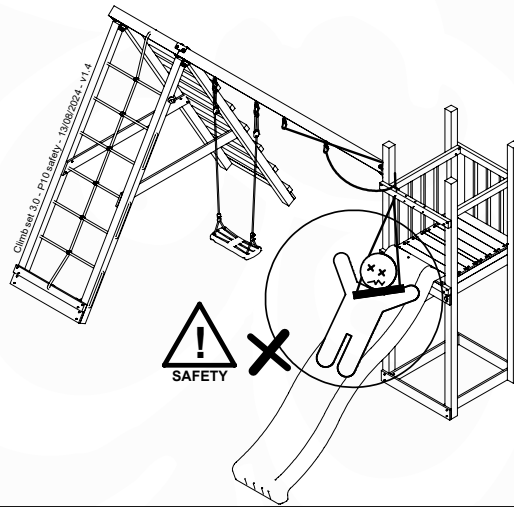
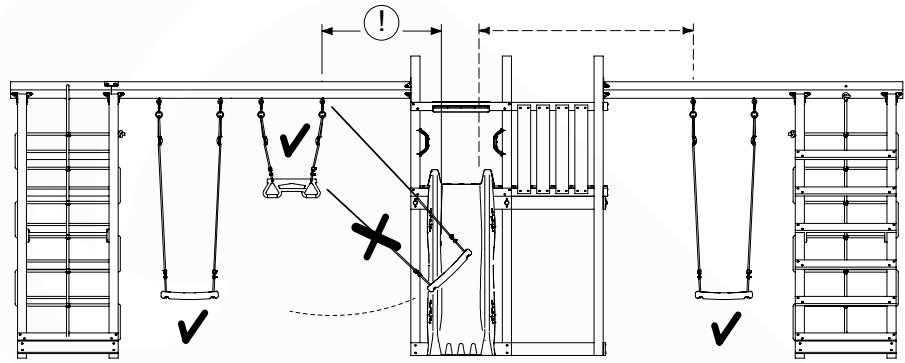
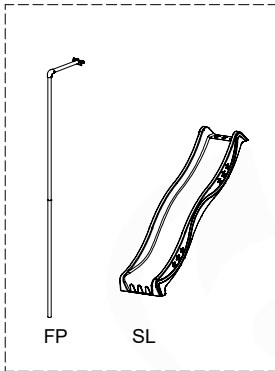
Assembly Kit: 457_107

	PartNo	PartName	QTY.
Hardware + Parts	001_404	Stealth Screw 8x30	4
	001_406	Stealth Screw 8x45	34
	001_417	Stealth Screw 8x80	2
	002_220	Gap Point Screw T25 - 5x45	36
	002_223	Gap Point Screw T25 - 5x80	35
	002_301	Dry Wall Screw PH2 3.9 x 40 mm	7
	023_042	Nylon washer 9x19x1.5	32
	005_096	A-Frame V-Connector	4
	005_097	Swing V-Connector	2
	007_001	Ground-anchor	2
	020_317	Rope Polyester 16mm Green 3.4m	1
	020_318	Rope Polyester 16mm Green 8.1m	1
	022_455	Rope Cross Connector Egg	7
	101_003	Swing hook with Carabiner	2
Timber	B240	Post ca.90x90 L2400	5
	C74	Beam 740 mm	8
	D74	Board 740 mm	2
	D141	Board 1410 mm	3

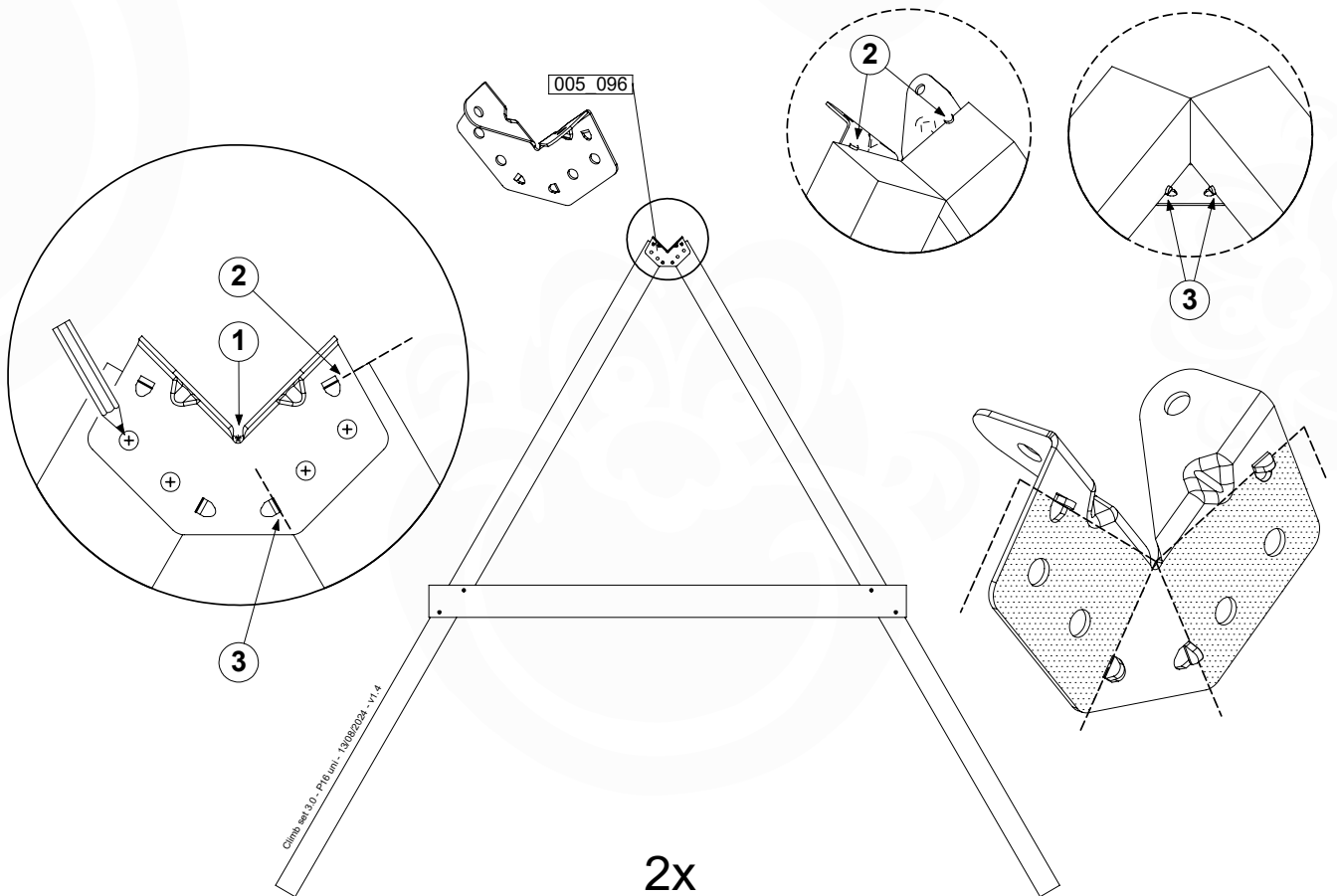
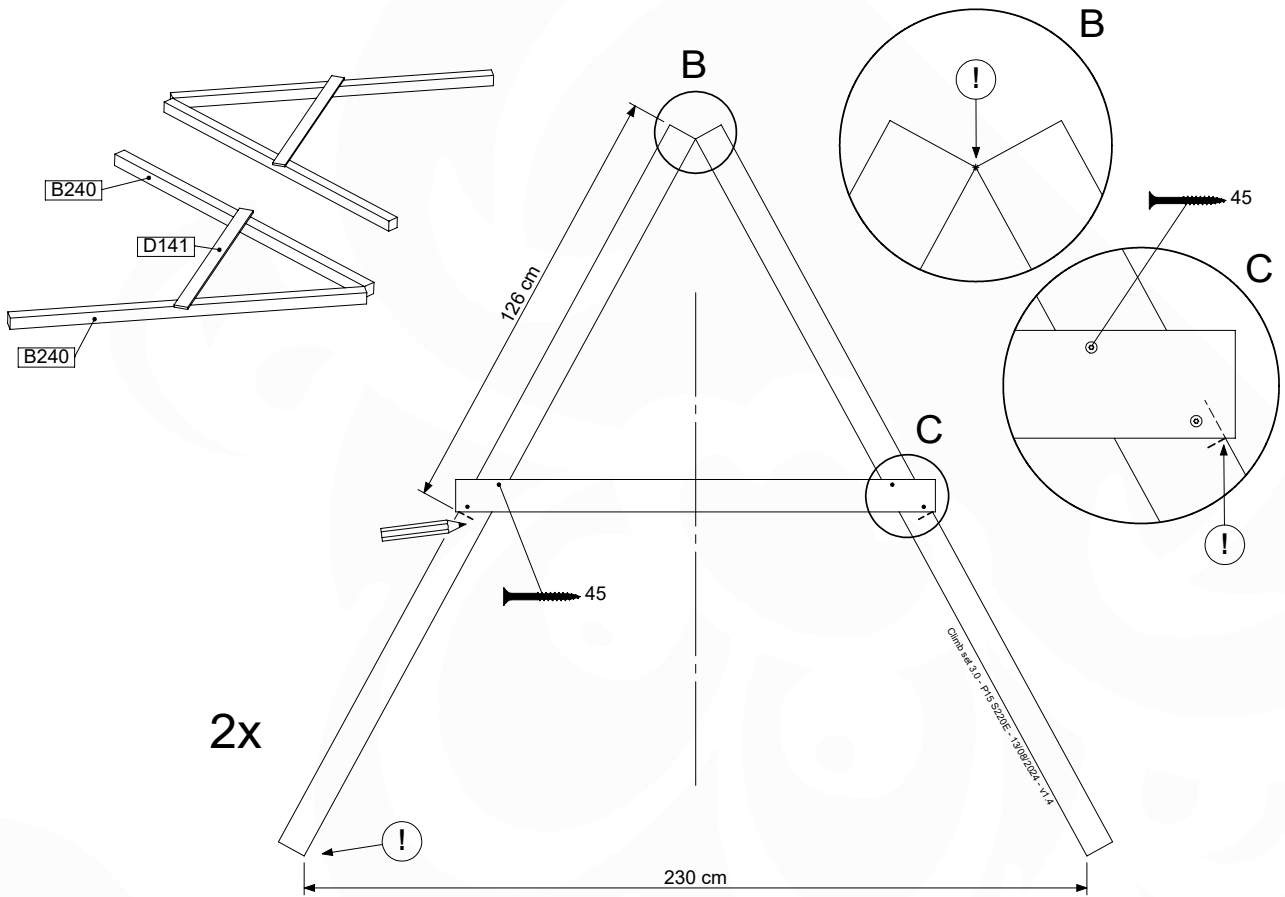
Climb set 3.0 - P07 (C220E - 13/08/2024 - v1.4

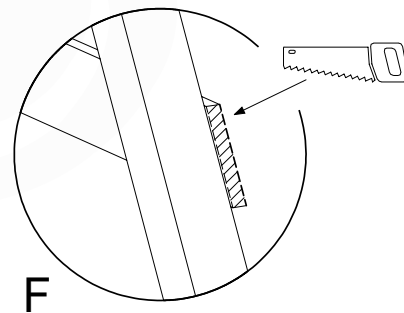
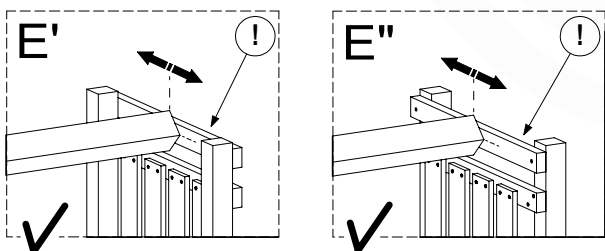
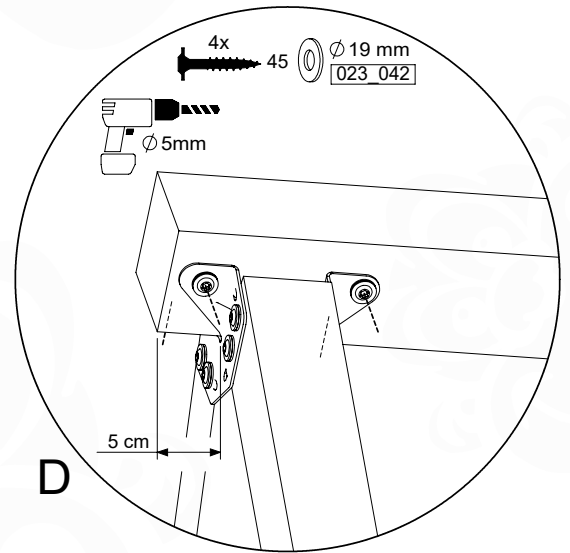
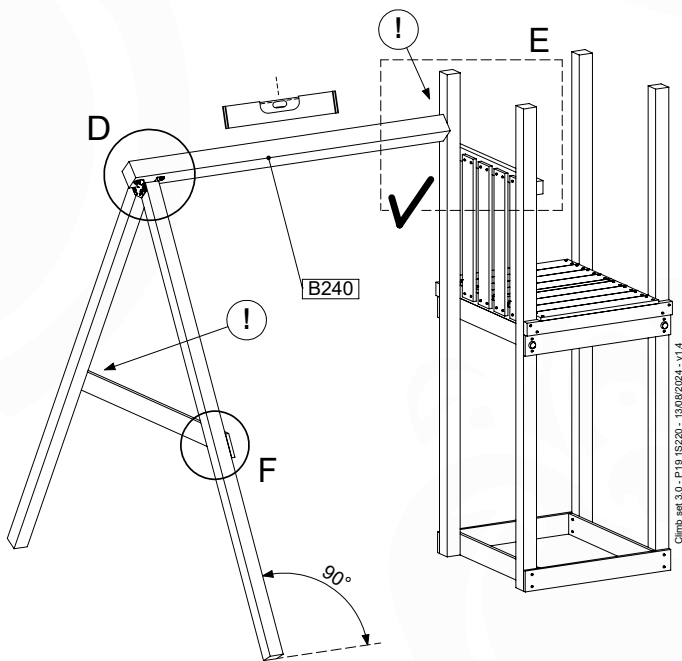
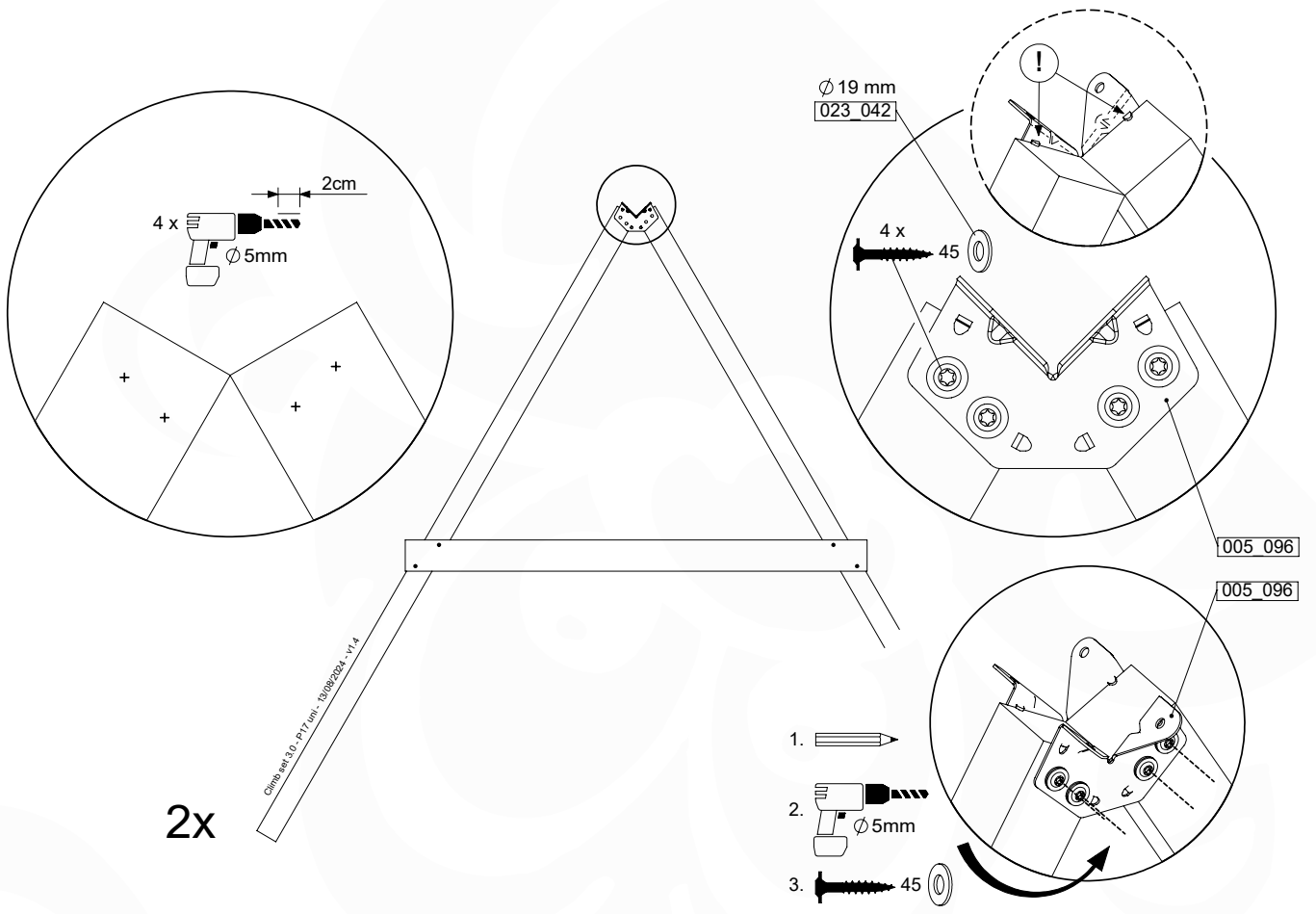


8.1

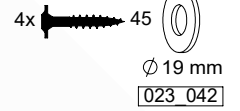
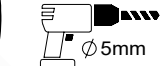
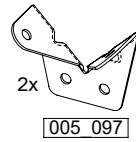
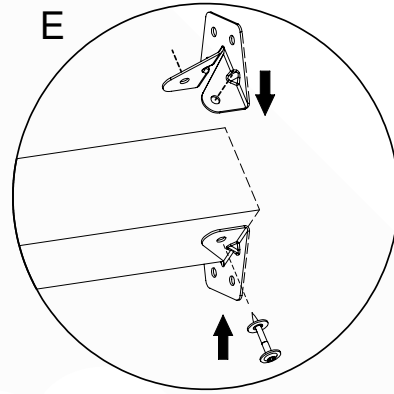
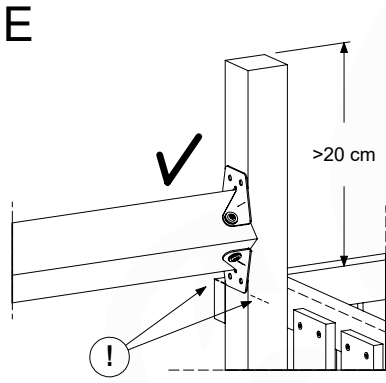


Climb set 3.0 - P12 25220 - 13/08/2024 - v1.4

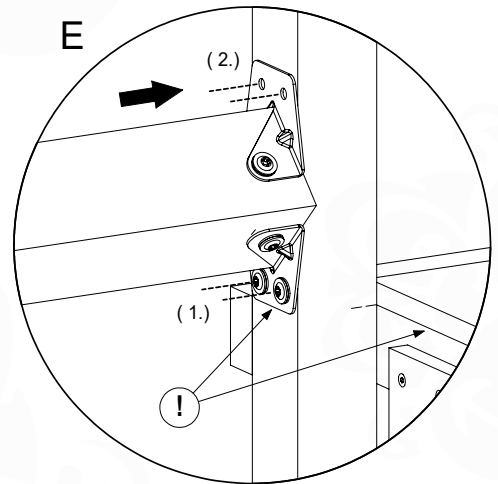
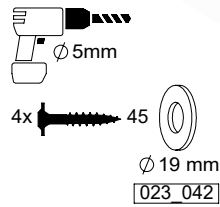
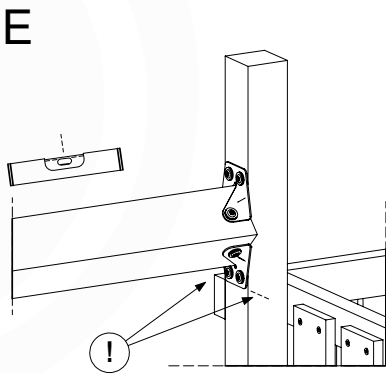
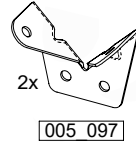
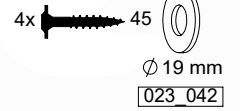
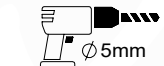
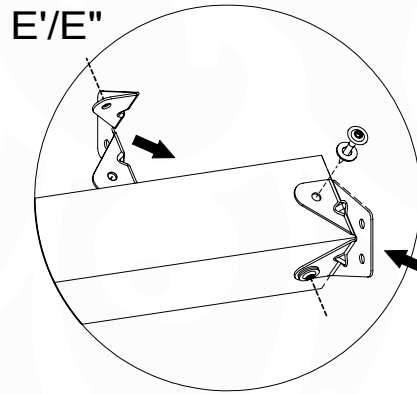
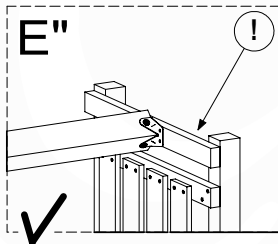
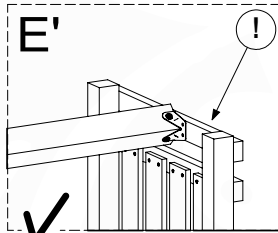
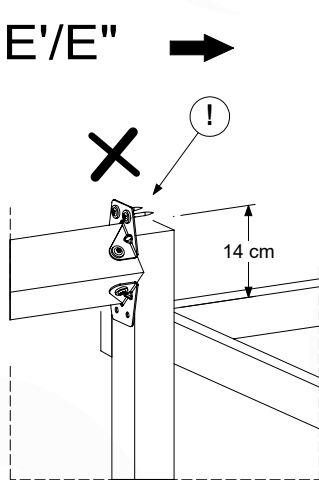




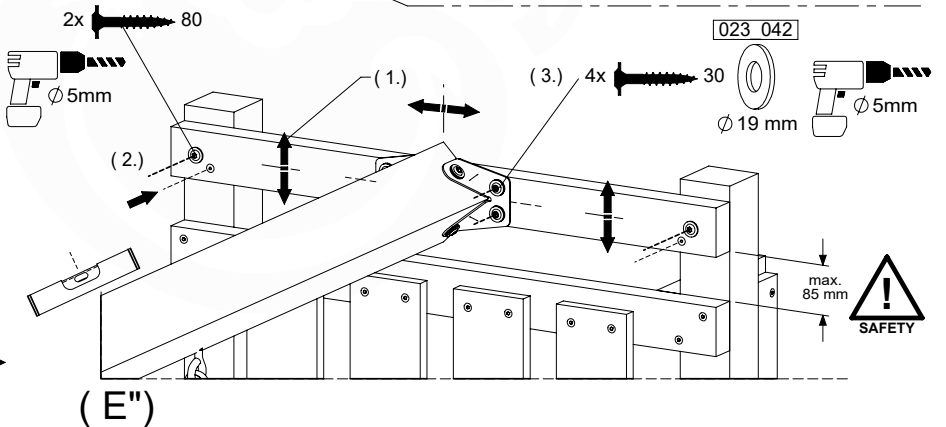
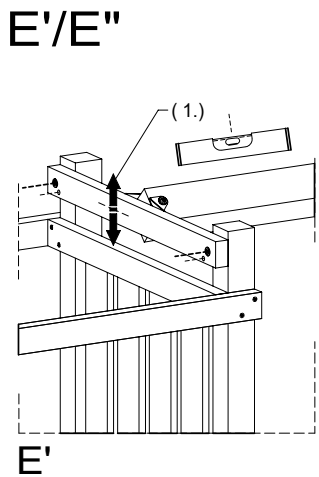
8.4

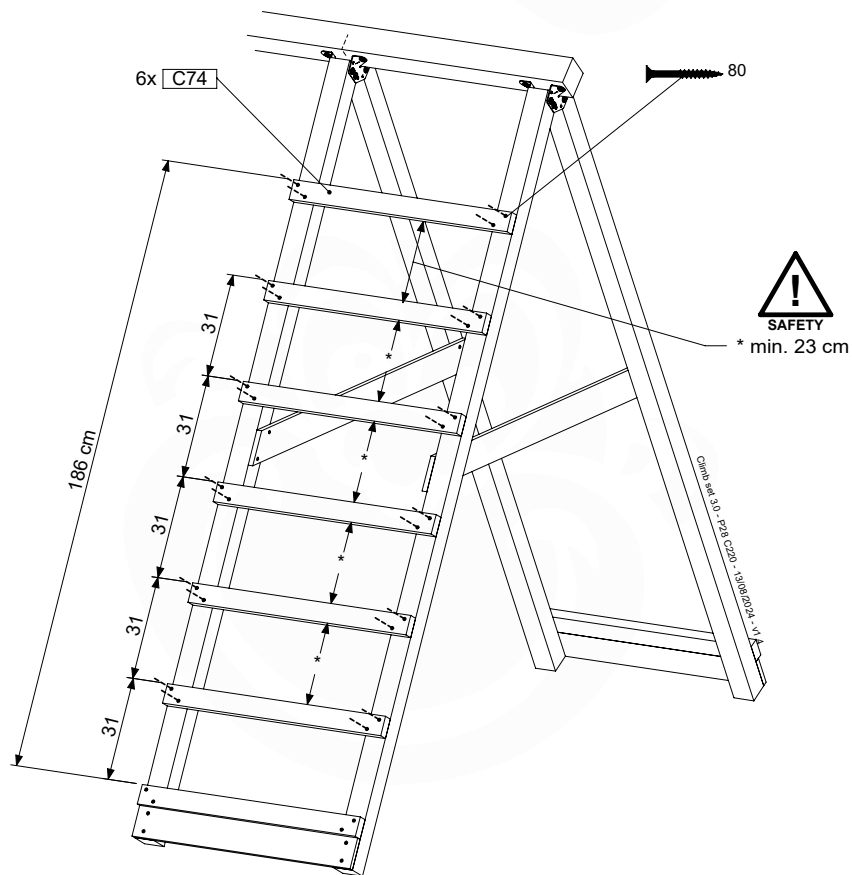
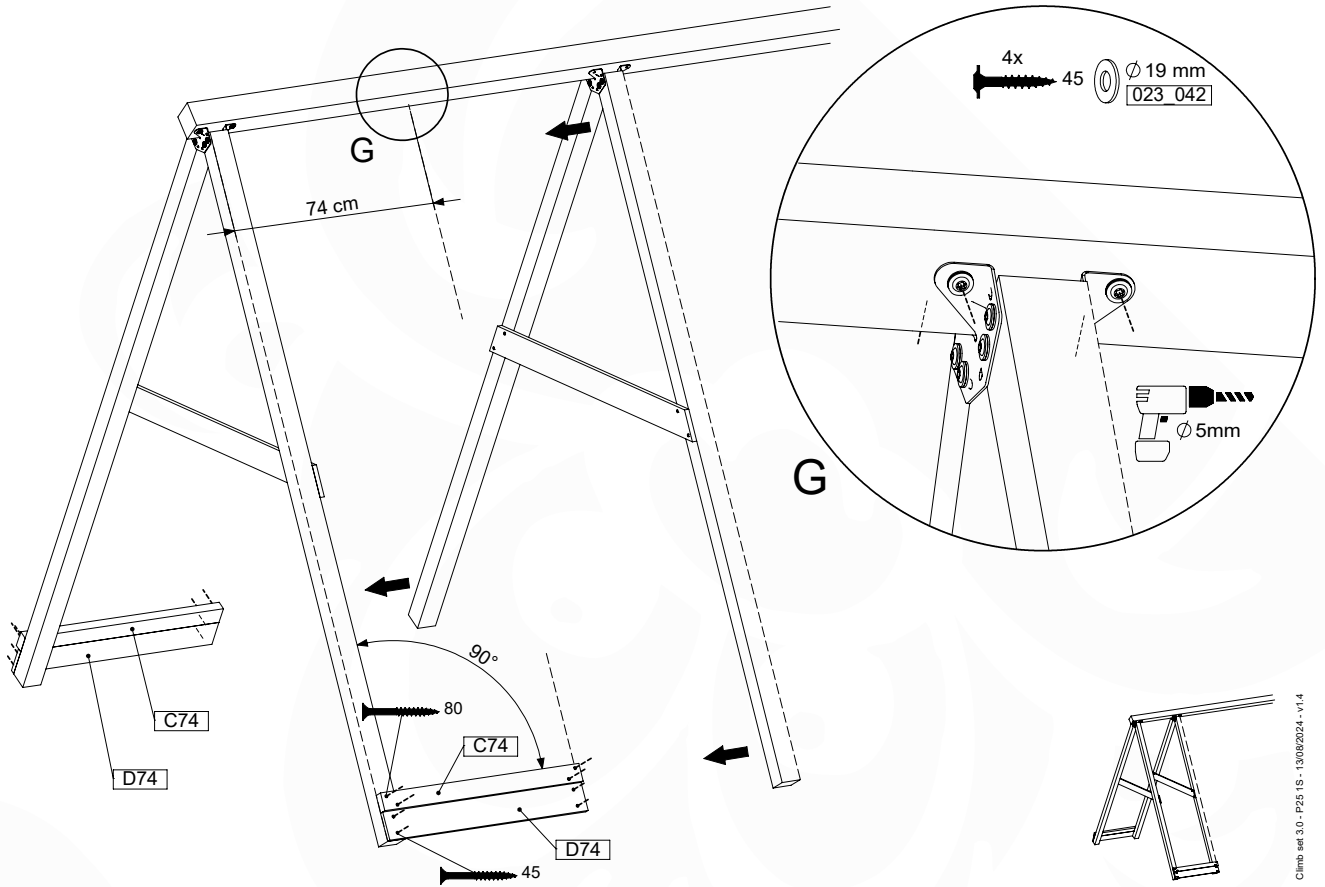


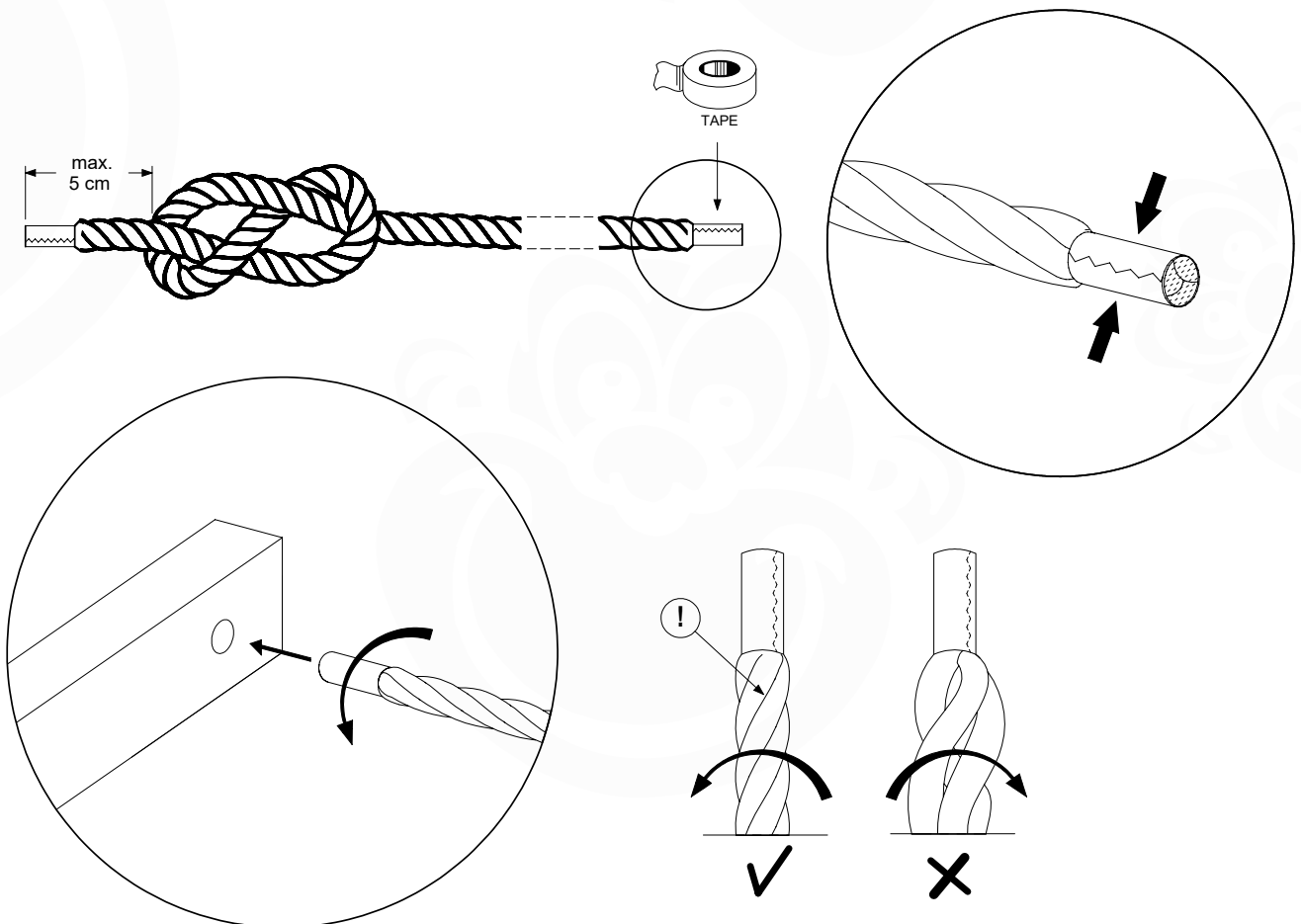
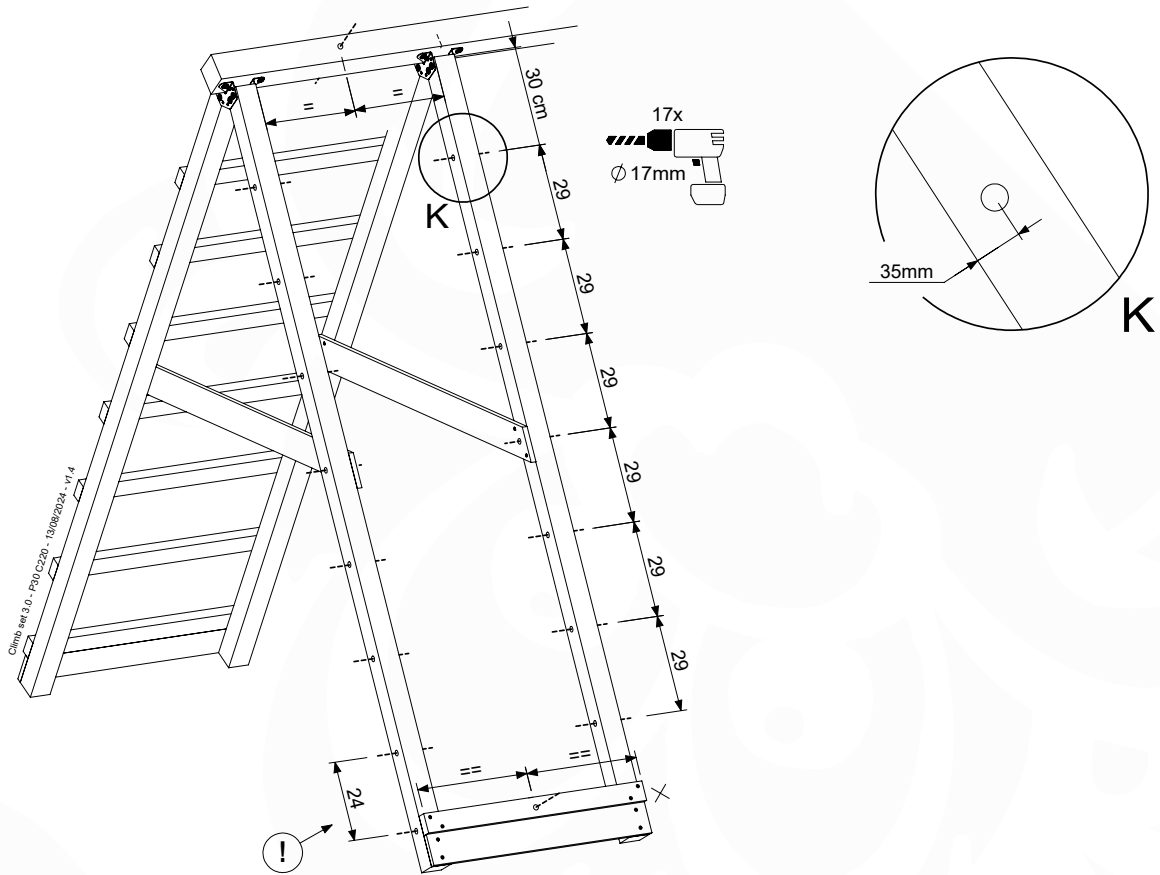
Climb set 3.0 - P22 uni - 13/08/2024 - v1.4

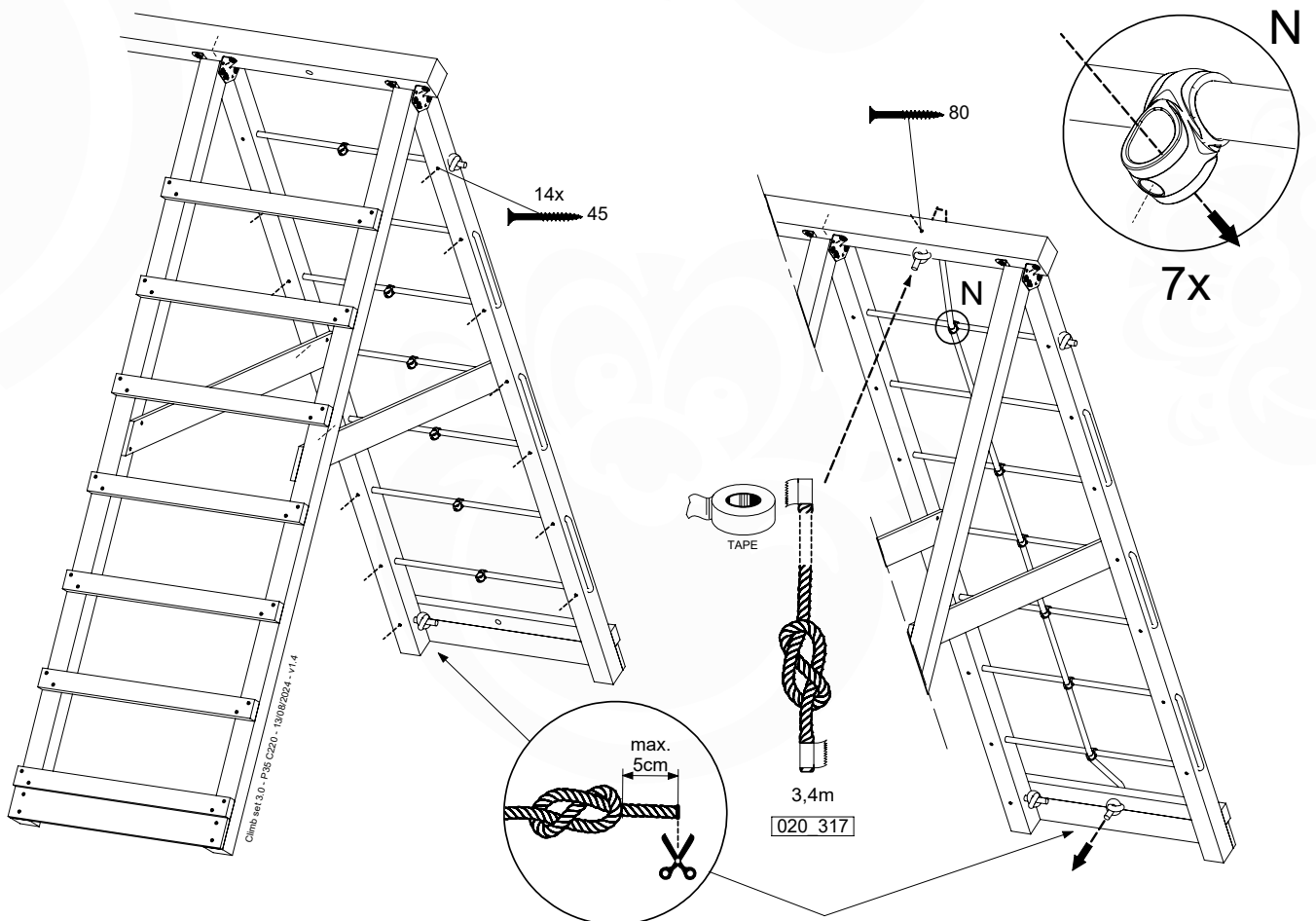
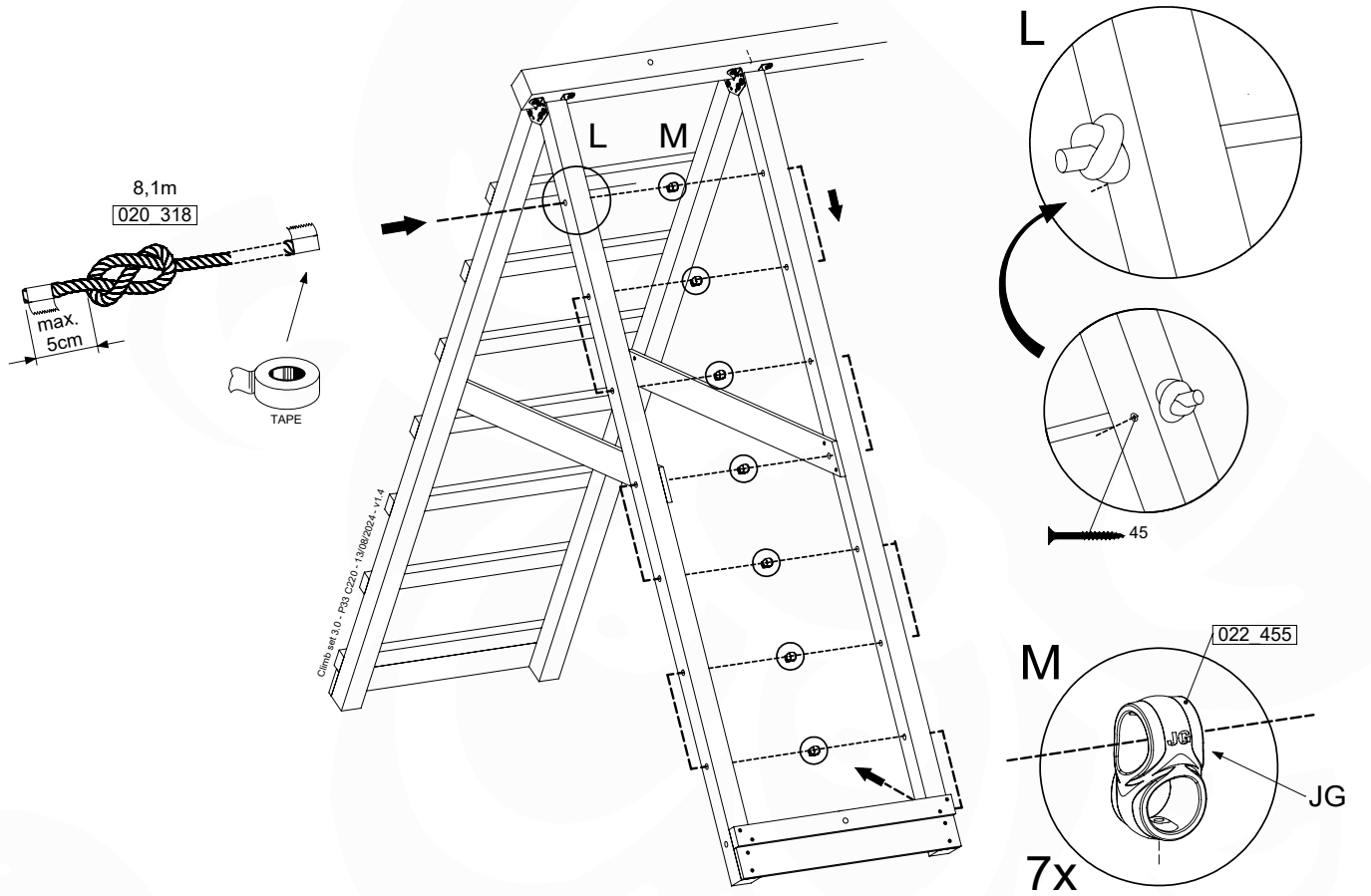


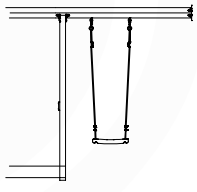
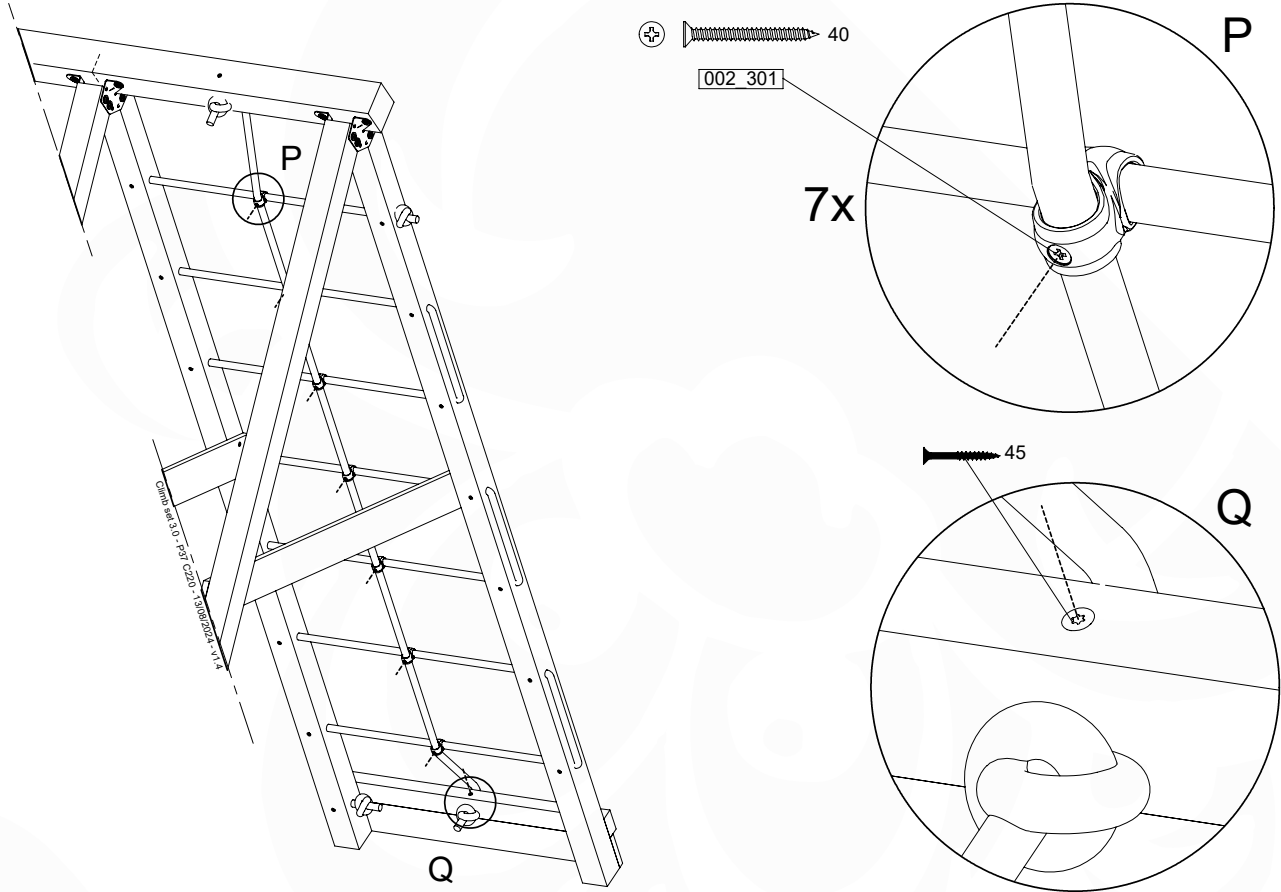
Climb set 3.0 - P23 uni - 13/08/2024 - v1.4



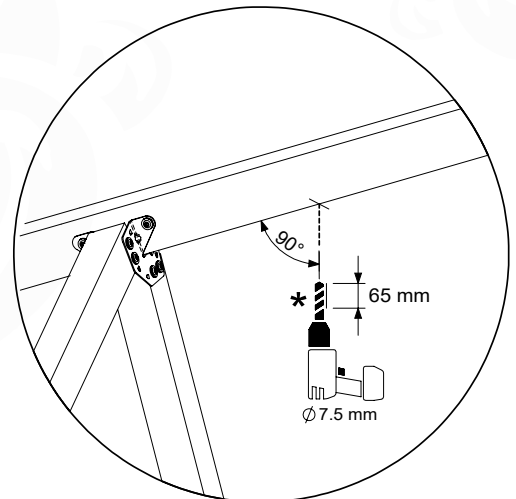
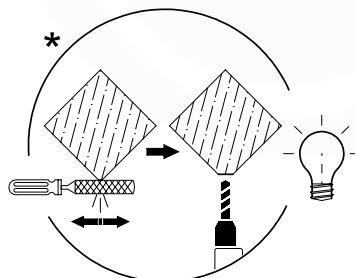
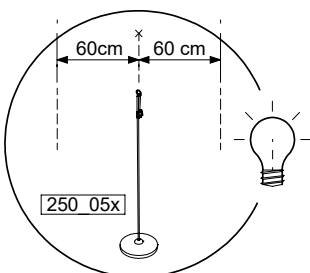
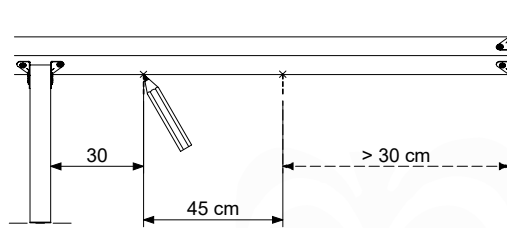


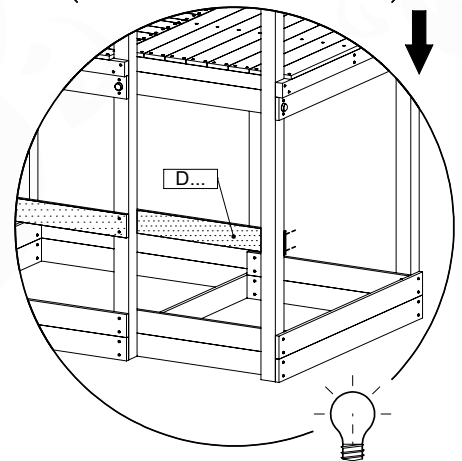
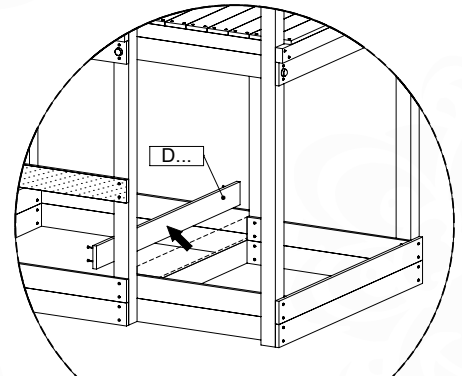
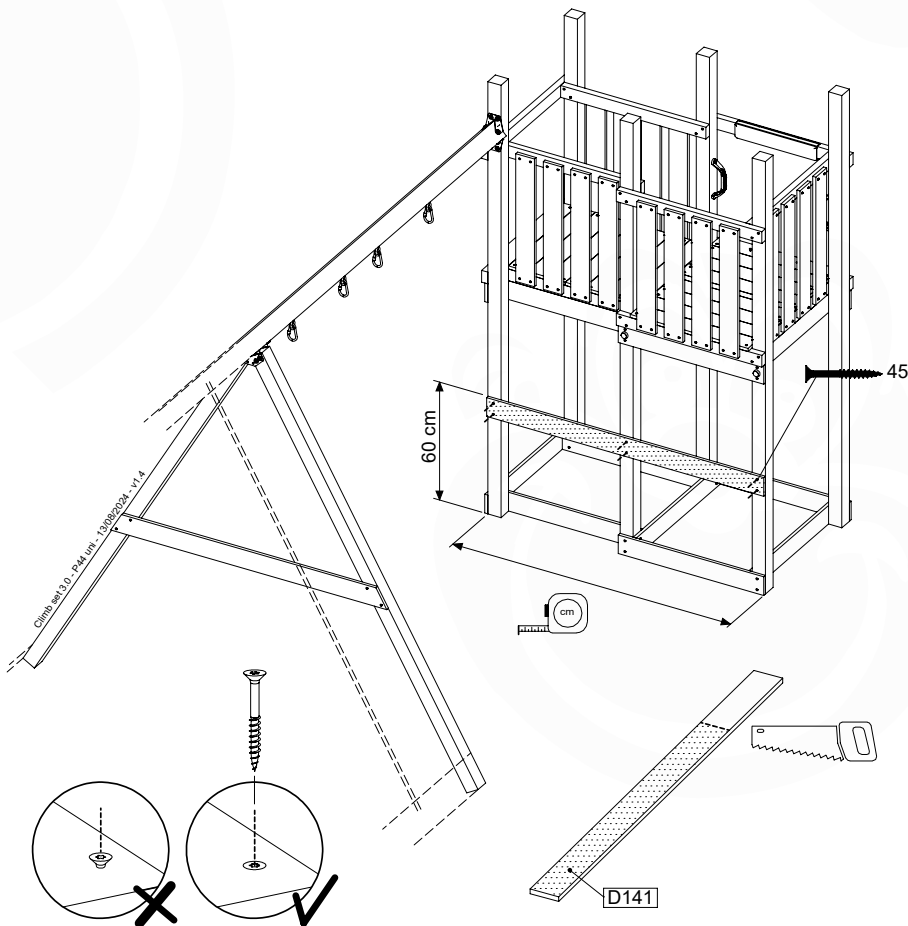
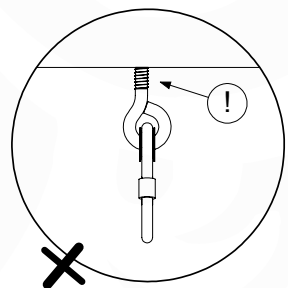
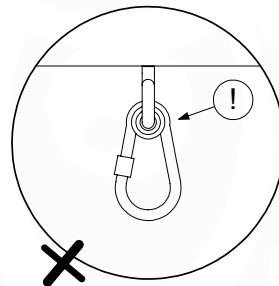
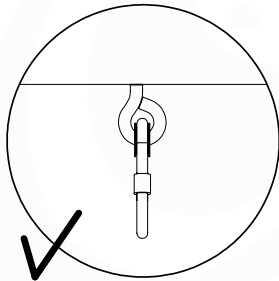
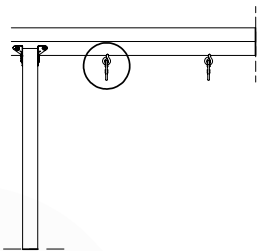
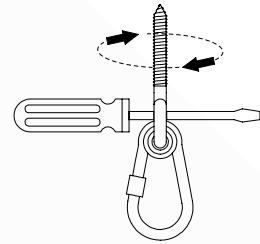
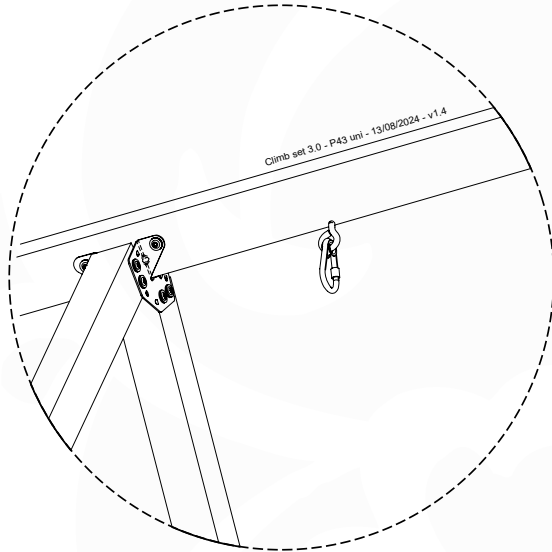
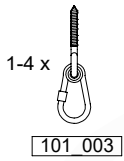




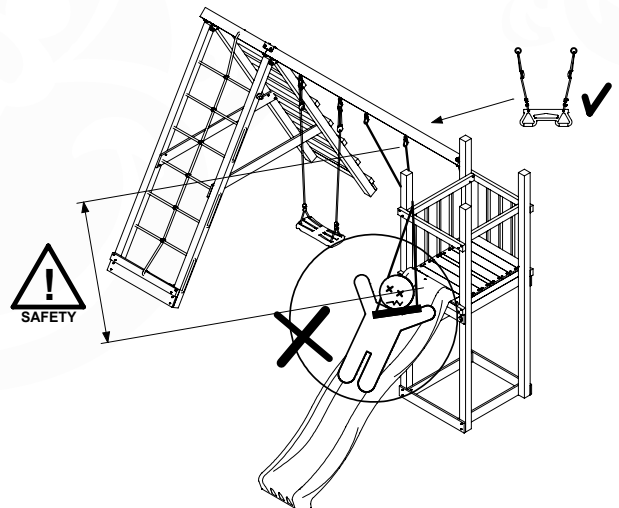
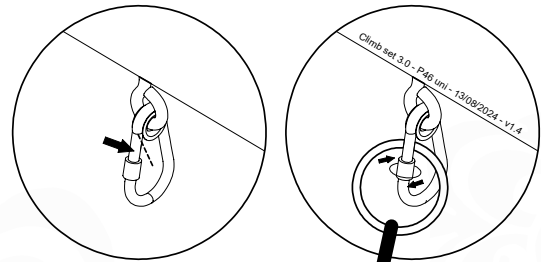
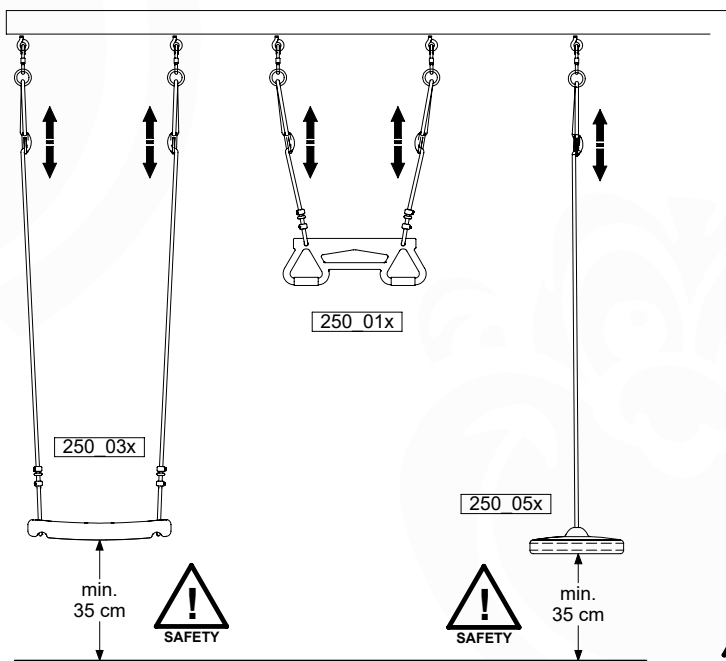
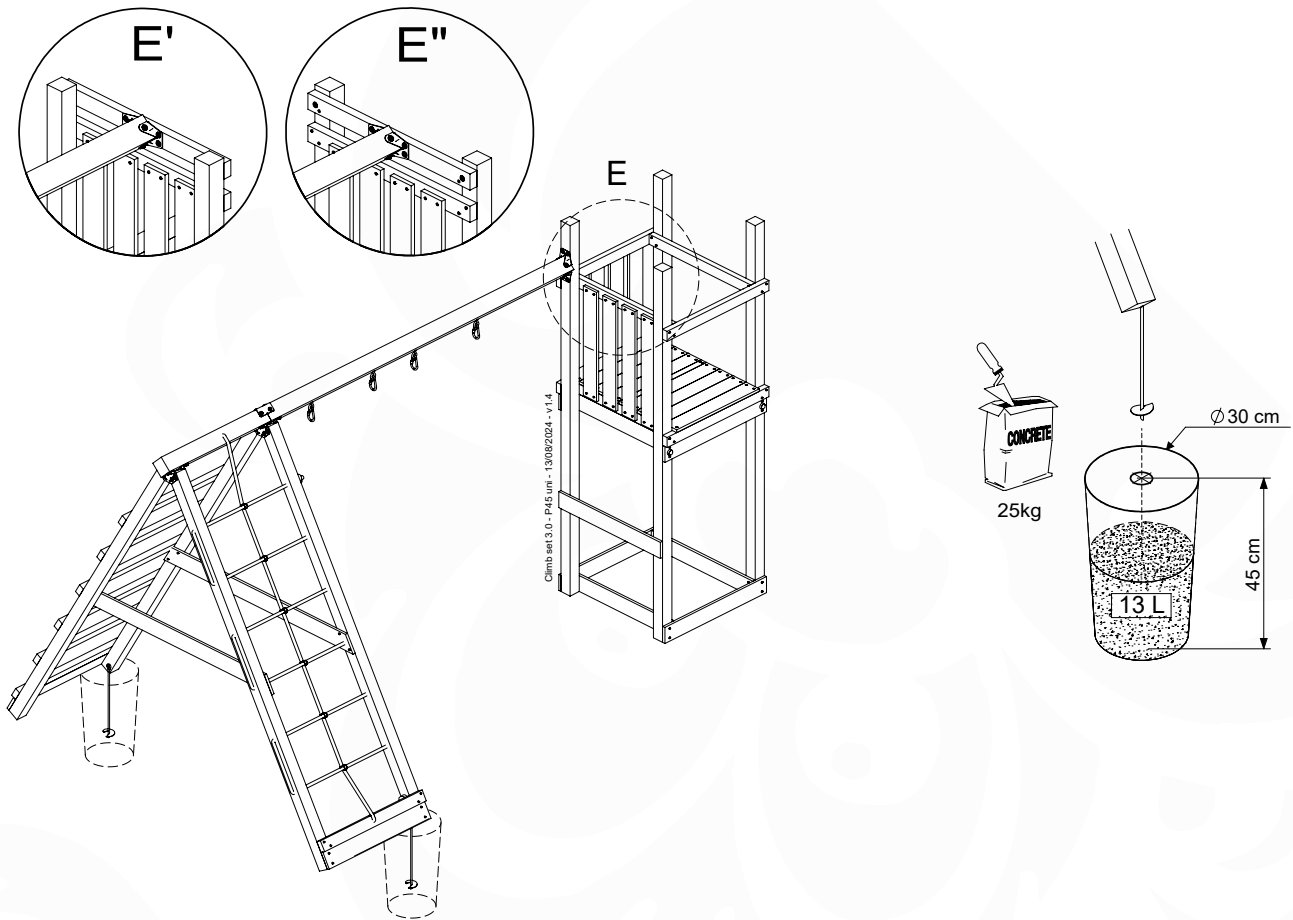


1-Swing position

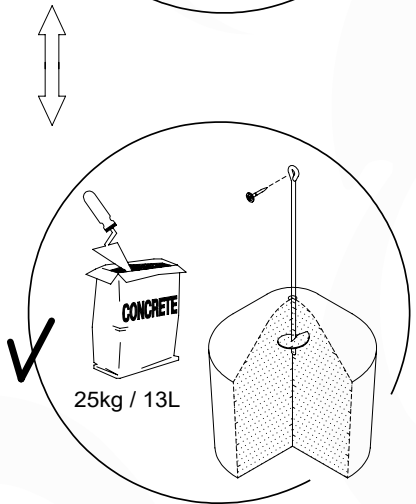
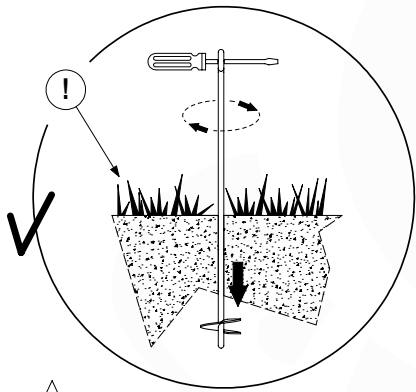




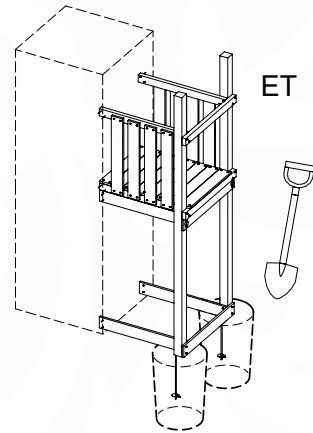
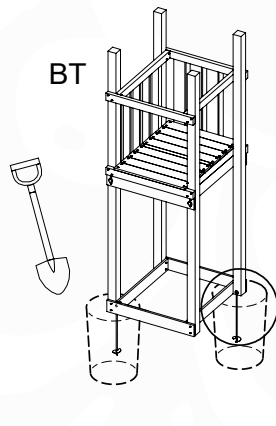
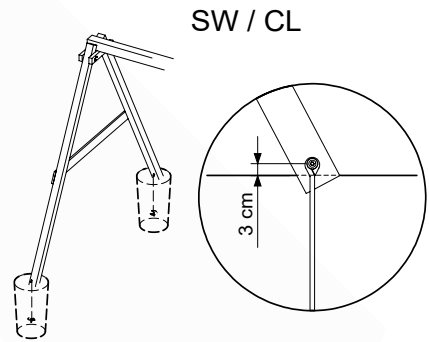
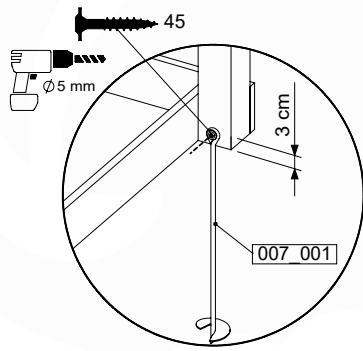
8.10



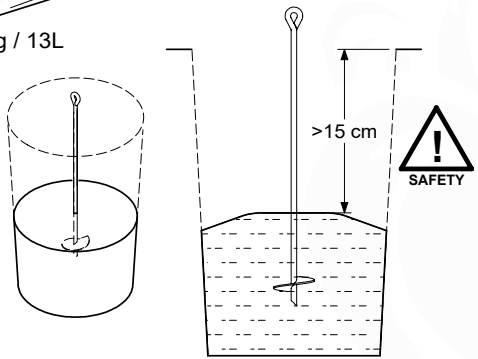
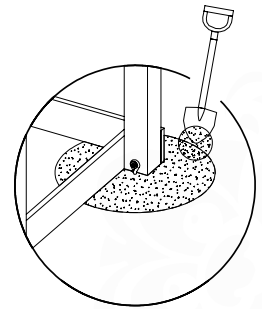
9 GA: Ground Anchors



Ground Anchors Uni. - PD3 - 14/06/2024 - v1.5



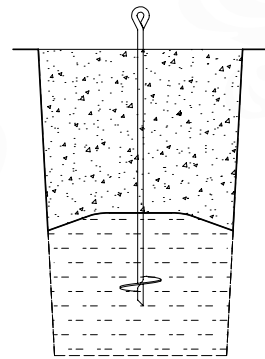
25kg / 13L



1.



2.

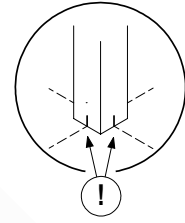
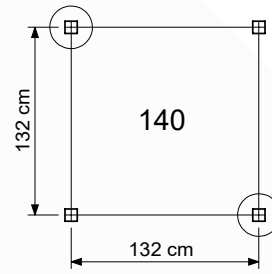
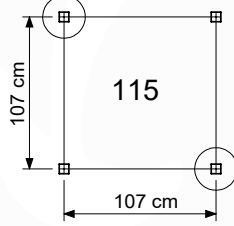
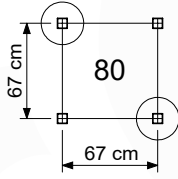
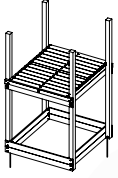


3.

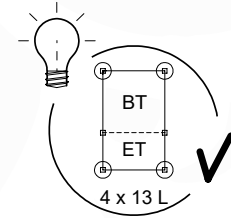
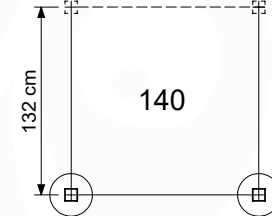
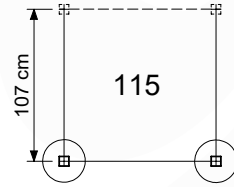
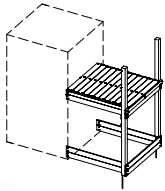
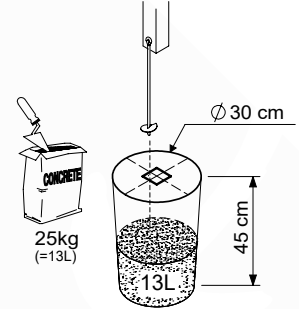
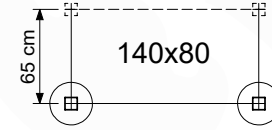
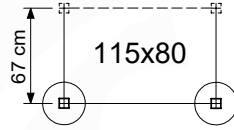
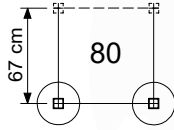
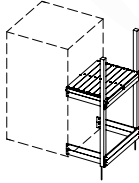
Ground Anchors Uni. - PD4 - 14/06/2024 - v1.5

9.1

BASE TOWERS

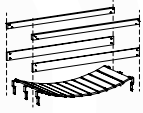


EXTENSION TOWERS

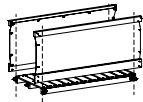


Ground Anchors Uni. - P01 - 14/06/2024 - v1.5

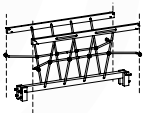
BRIDGES



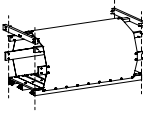
CLATTER



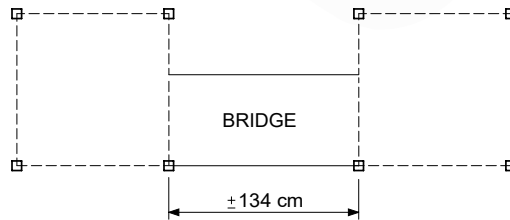
BOARDWALK



NET



TUNNEL

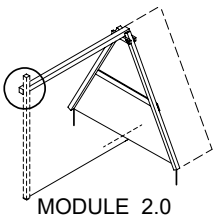


BRIDGE

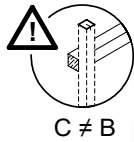
± 134 cm

Ground Anchors Uni. - P02 - 14/06/2024 - v1.5

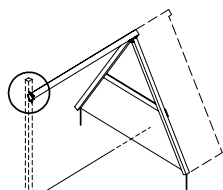
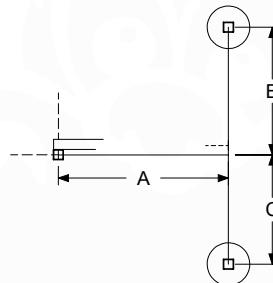
SWING / CLIMB



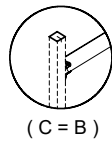
MODULE 2.0



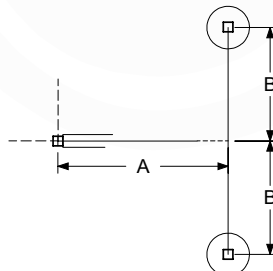
C ≠ B



MODULE 3.0



(C = B)



MODULE 2.0	Module type	A	B	C
	1-Swing 200	150	115	100
	1-Swing 220 (Extra)		120	105
	1-Climb 200	142		
	2-Climb 200	210	115	100
	2-Swing 200			
	1-Climb 220 (Extra)	162		
	2-Climb 220 (Extra)	230	120	105
	2-Swing 220 (Extra)			

cm

MODULE 3.0	Module type	A	B
	1-Swing 200 - 3.0	155	110
	1-Swing 220 (Extra) - 3.0		115
	1-Climb 200 - 3.0	148	
	2-Climb 200 - 3.0	222	110
	2-Swing 200 - 3.0	215	
	1-Climb 220 (Extra) - 3.0	170	
	2-Climb 220 (Extra) - 3.0	242	115
	2-Swing 220 (Extra) - 3.0	235	

cm

10 Declaration of conformity

Activity toys for domestic use Aktivitätsspielzeug für den häuslichen Gebrauch Jouets d'activité à usage familial

20241017_v3

1. Wooden climbing frames

1.1. Assemblies

Playtowers	801_005, 801_009, 801_010, 801_013, 801_025, 801_040, 801_060, 801_070, 801_090, 801_095, 801_100, 801_103, 801_105, 801_110, 801_120, 801_200, 802_202, 802_204, 802_206, 802_208, 803_202, 803_204, 803_206, 803_208, 803_210, 809_802, 809_804
Swings	801_300, 801_601, 801_602
Modules	850_176, 850_177, 850_231, 850_232, 857_101, 857_102, 857_105, 857_106, 857_151, 857_152, 857_157, 857_158, 850_240

1.2. Sub assemblies

Base towers (BT)	BT01a, BT02a, BT03a, BT11a, BT14a, BT15a, BT20a
Extension towers (ET)	ET01a, ET02a, ET05a, ET06a, ET07a, ET08a, ET09a, ET10a, ET11a, ET12a, ET13a, ET14a, ET15a, ET16a, ET17a, ET18a, ET19a, ET20a, ET22a, ET23a, ET27a, ET28a, ET35a, ET29a, ET39a, ET40a
Bridges (CB, NB, BB, TB)	CB01a, NB01a, BB01a, BB02a, TB01a, TB02a, TB03a, TB04a
Roofs (RF)	RF01a, RF21a, RF02a, RF03a, RF04a, RF05a, RF06a, RF20a, RF02b, RF03b, RF07a, RF08a, RF22a, RF09a, RF23a, RF11a, RF12a, RF07b, RF12b, RF08b, RF22b, RF09b, RF23b, RF11b, RF14a, RF24a, RF15a, RF25a, RF18a, RF18b, RF14b, RF24b, RF15b, RF25b, RF03b, BF04b, BF05b, BF06b, BF07b, BF08b, BF21a, BF22a, BF23a, BF24a, BF21b, BF22b, BF23b, BF24b
Balustrade (BL, BF)	BL01a, BL02a, BL21a, BF25a, BF26a, BF27a, BF28a, BF01a, BF02a, BF03a, BF04a, BF05a, BF06a, BF07a, BF08a, BF01b, BF02b, BF03b, BF04b, BF05b, BF06b, BF07b, BF08b, BF21a, BF22a, BF23a, BF24a, BF21b, BF22b, BF23b, BF24b
Playhouse (PH)	PH03a, PH04a, PH05a, PH06a, PH10a, PH11a, PH40a, PH41a, PH12a, PH13a, PH14a, PH15a, PH42a, PH43a, PH44a, PH45a, PH16a, PH17a, PH18a, PH19a, PH30a, PH31a, PH16b, PH17b, PH18b, PH19b, PH46a, PH47a, PH48a, PH49a, PH16c, PH17c, PH18c, PH19c, PH46b, PH47b, PH48b, PH49b, PH20a, PH21a, PH22a, PH23a, PH24a, PH25a, PH26a, PH27a, PH32a, PH33a, PH52a, PH53a, PH54a, PH55a, PH56a, PH57a, PH50a, PH51a, PH26b, PH27b, PH26c, PH27c, PH56b, PH57b
Ladder (LA)	LA05a, LA06a, LA01a, LA02a, LA03a, LA01b, LA02b, LA03b, LA11a, LA12a, LA13a, LA14a, LA15a, LA16a, LA17a, LA18a, LA31a, LA32a, LA33a, LA34a, LA35a, LA36a, LA37a, LA38a, LA21a, LA22a, LA23a, LA24a, LA25a, LA26a, LA43a, LA44a, LA45a, LA46a
Two Step Ladder (TS)	TS01a, TS01b, TS02a, TS02b, TS03b, TS22a, TS05a, TS06a, TS07a, TS08a, TS09a, TS10a, TS11a, TS12a, TS15a, TS16a, TS17a, TS18a, TS19a, TS20a, TS21a, TS22a
Rope Ladder (RL)	RL01a, RL02a, RL05a, RL06a, RL07a, RL08a, RL09a, RL10a, RL11a, RL12a, RL15a, RL16a, RL19a, RL20a
Rock wall (RW)	RW01a, RW02a, RW01b, RW02b, RW03b, RW31a, RW32a, RW33a, RW05a, RW06a, RW07a, RW08a, RW09a, RW10a, RW11a, RW12a, RW40a, RW41a, RW15a, RW16a, RW17a, RW18a, RW19a, RW20a, RW46a, RW47a
Ramp (RA)	RA03a, RA04a, RA21a, RA05a, RA06a, RA07a, RA08a, RA05b, RA06b, RA07b, RA08b, RA11a, RA12a, RA09b, RA10b, RA11b, RA12b
Net (NA, NS)	NA01a, NA02a, NS01a, NS02a, NS03a, NS21a, NA04a, NA05a, NS04a, NS05a, NS06a, NS07a, NA08a, NA09a, NS08a, NS09a
Boat (BO)	BO01a
Market (MT) & Target Canvas (TC)	MT01a, MT02a, TC01a, TC02a, MT01b, MT02b, TC01b, TC02b, MT05a, MT06a, MT11a, MT12a
Picnic (PC)	PC01a, PC01b, PC05a, PC06a, PC09a, PC10a
Gymnastics bar (GY)	GY01a
Fireman's pole (FP)	FP01a, FP02a, FP04a, FP05a, FP06a, FP07a, FP23a, FP24a, FP25a, FP26a, FP27a, FP28a
Slides (SL)	SL01a, SL02a, SL03a, SL06a, SL07a, SL08a, SL09a, SL10a, SL11a, SL12a, SL13a, SL26a, SL27a, SL28a, SL29a
Swing (SM)	SW17a, SW21a, SW18a, SW22a, SW19a, SW23a, SW01a, SW05a, SW02a, SW06a, SW03a, SW07a, SW09a, SW13a, SW10a, SW14a, SW11a, SW15a
Climb (CL)	CL17a, CL21a, CL18a, CL22a, CL19a, CL23a, CL01a, CL05a, CL02a, CL06a, CL03a, CL07a, CL09a, CL13a, CL10a, CL14a, CL11a, CL15a
Universal Beam (UB)	UB01a, UB04a, UB02a, UB05a, UB03a, UB06a, UB07a, UB08a
Accessories (AC)	AC40a, AC30a, AC31a, AC32a, AC33a, AC01a, AC05a, AC07a, AC03a, AC04a, AC06a, AC23a, AC22a, AC24a, AC21a, AC25a, AC02a, AC09a, AC08a, AC10a

2. Construction packages

2.1 Assembly Kits

Playtowers	401_015, 401_080, 401_125, 402_201, 402_202, 402_204, 402_206, 402_208, 403_202, 403_204, 403_206, 403_208, 403_210, 409_802, 409_804
Swings	401_300, 401_600
Modules	457_005, 457_102, 457_103, 457_106, 457_107, 457_205

2.2 Assembly Packs

Sub assemblies	194_002, 194_003, 194_004, 194_006, 194_007, 194_008, 194_009, 194_010, 194_100, 194_101, 194_102, 194_103, 194_104, 194_105, 194_107, 194_108, 194_109, 194_110, 194_111, 194_112, 194_113, 194_114, 194_115, 194_116, 194_117, 194_118, 194_119, 194_300, 194_308, 194_312, 194_500, 194_501, 194_508, 194_510, 194_802, 194_804, 194_809, 194_810, 194_811, 194_812
----------------	--

3. Accessories and components

Slides XL	324_100, 324_200, 324_300, 324_400, 324_500, 324_600
Slides XXL	334_100, 334_200, 334_300, 334_400, 334_500, 334_600
Fireman's pole	201_275
Climbing	201_060, 201_273
Imagination	201_280, 201_285, 201_290, 201_295, 202_473, 450_310, 450_320, 450_330
Swinging	250_001, 250_013, 250_025, 250_034, 250_053
Functional	123_220, 123_222, 123_230, 201_115, 201_220, 201_250, 201_260, 201_270, 202_620, 202_621, 202_622, 202_623, 202_624, 202_625, 202_626, 202_627, 202_628, 202_629, 202_824, 250_065, 250_070, 250_075

Applicable EU directives and standards

General

- General Product Safety Directive (GPSD) 2001\48\EG
- Reach directive 1907\2006
- AfPS GS 2019:01 PAK

Activity Toys

- Toy Safety Directive (TSD) 2009\48\EG
- EN Standard 71 Safety of Toys
 - EN 71-1:2014 + A1:2018 Safety of toys Mechanical and physical properties
 - EN 71-2:2020 Flammability
 - EN 71-3:2019 + A1:2021 Migration of certain elements
 - EN 71-8:2018 Safety of toys Activity toys for domestic use

Supplementary information

Conformity to the above specified directives and standards has been frequently verified by TÜV Rheinland LGA products, DEKRA, LNE SA, since 1994. Jungle Gym participates in the European Commission for standardisation for the safety of activity toys (TC52/WG10).



Manufacturer details

Company Name: Jungle Gym B.V.
Address: Valschermkade 18, 1059 CD Amsterdam, Netherlands
Email: info@junglegym.com

Declaration

I hereby declare under our sole responsibility that the products mentioned above, to which this declaration relates, comply with the above mentioned directives and standards when the installation, assembly, and maintenance instructions are strictly followed.

Name
Mr. P. Schmit / Director

Issued date
Tuesday 22nd October, 2024



Signature of representative

Jungle Gym B.V. | P.O. Box 75083 | 1070 AB Amsterdam | Netherlands | Phone: +31 85 444 41 00 | e-mail: info@junglegym.com | www.junglegym.com