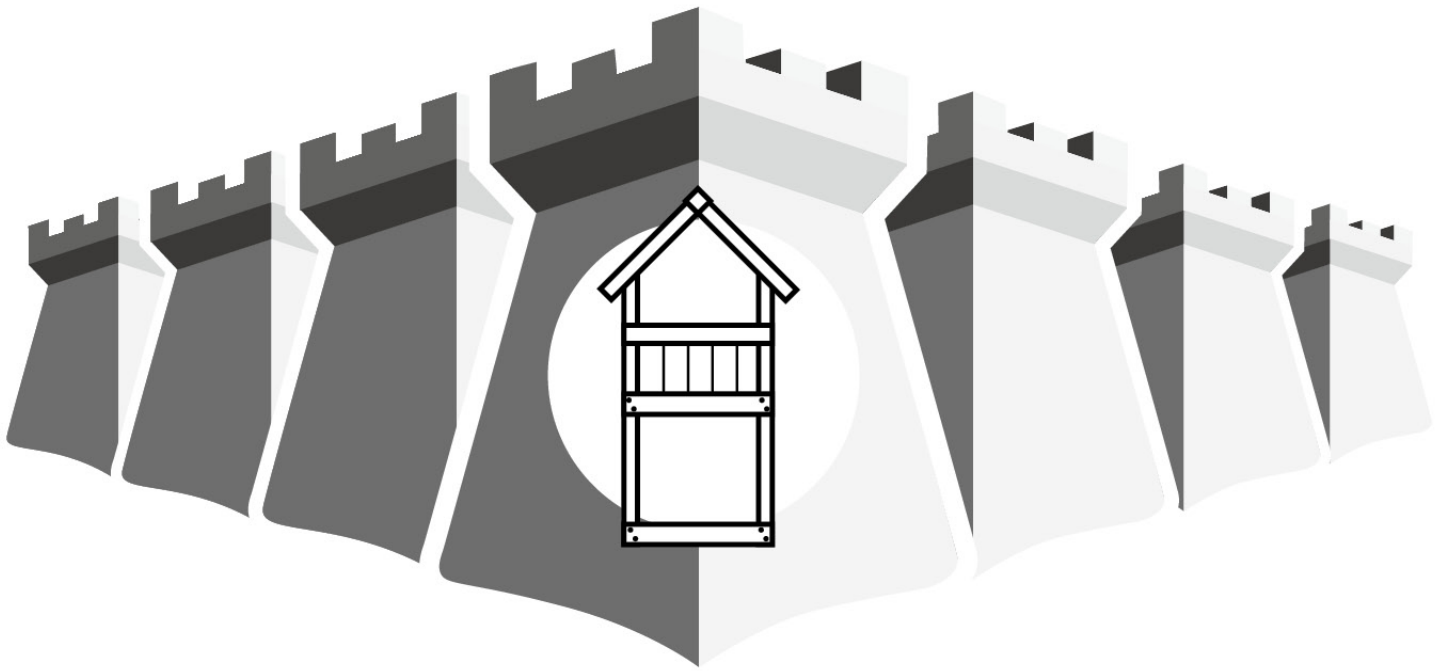


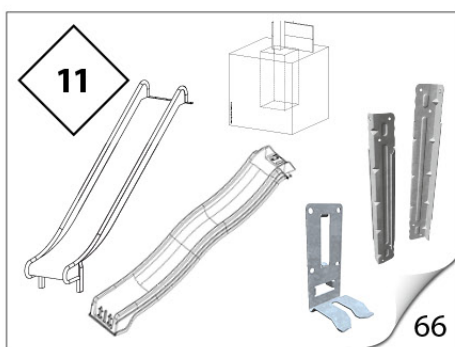
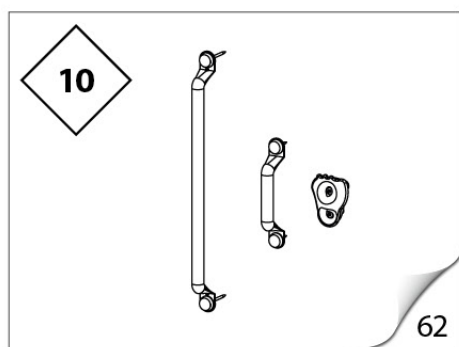
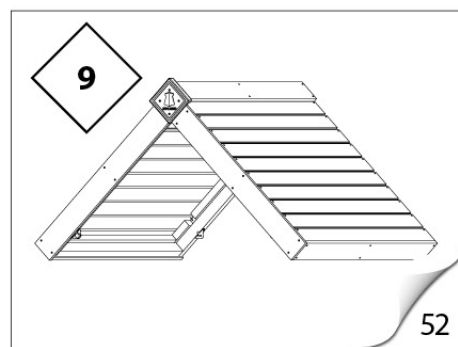
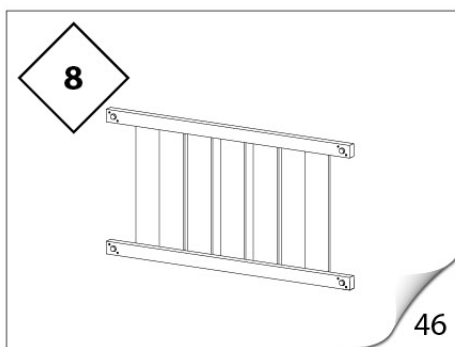
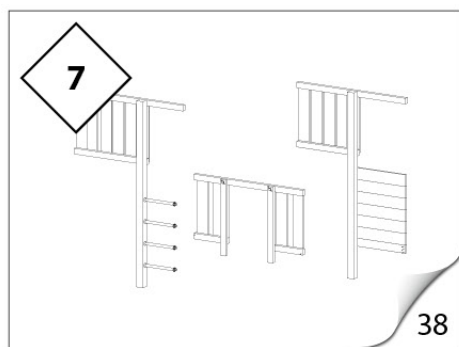
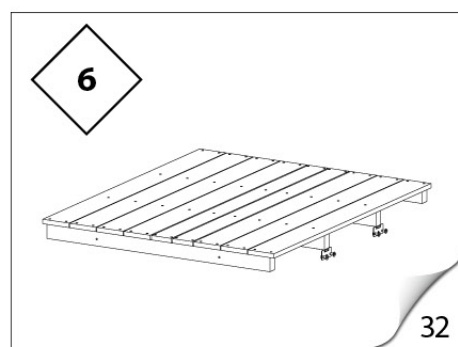
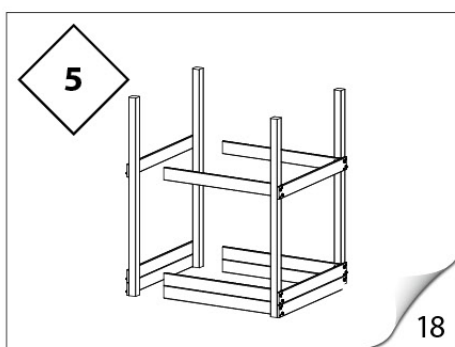
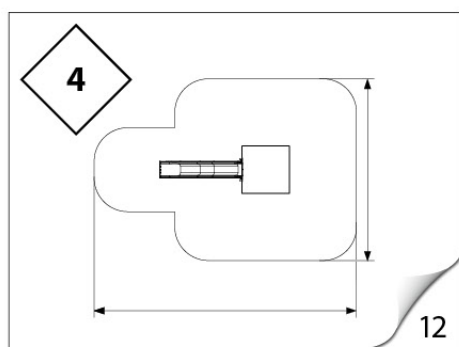
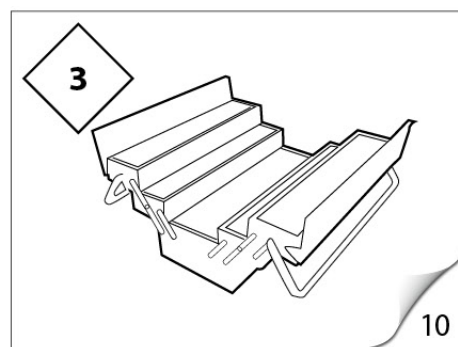
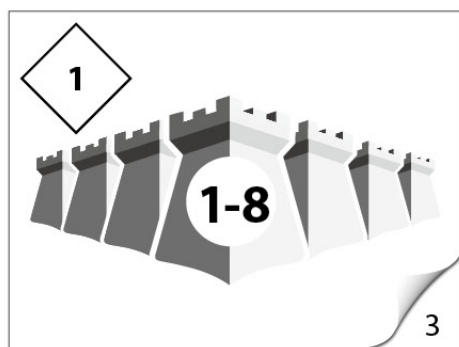
Assembly

P Series



Owner's Manual

Assembly steps



1

1



1x

+



1x



1x



± 0.30 m³



4^h

2



1x

+



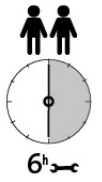
1x



1x



± 0.47 m³



6^h

3



1x

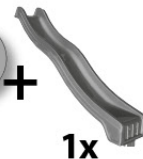


1x

+



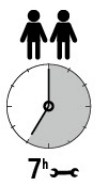
1x



1x

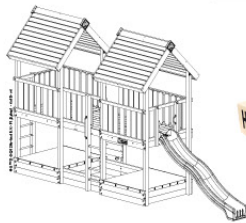


± 0.67 m³



7^h

4



1x



2x

+



1x



1x



± 1.04 m³



13^h

5



2x

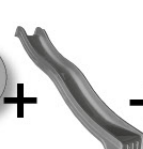


1x

+



1x



1x



± 0.87 m³



11^h

6



2x

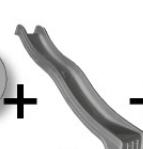


2x

+



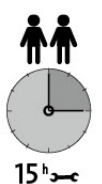
1x



1x

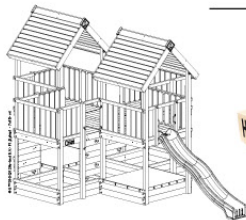


± 1.24 m³



15^h

7



3x

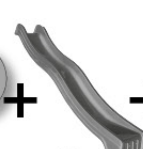


2x

+



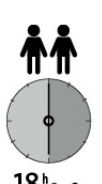
1x



1x

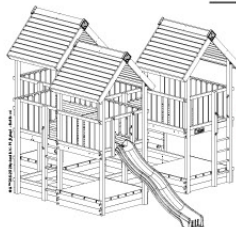


± 1.44 m³



18^h

8



3x



3x

+



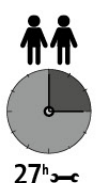
1x



1x



± 1.81 m³



27^h



Content P - Kit A

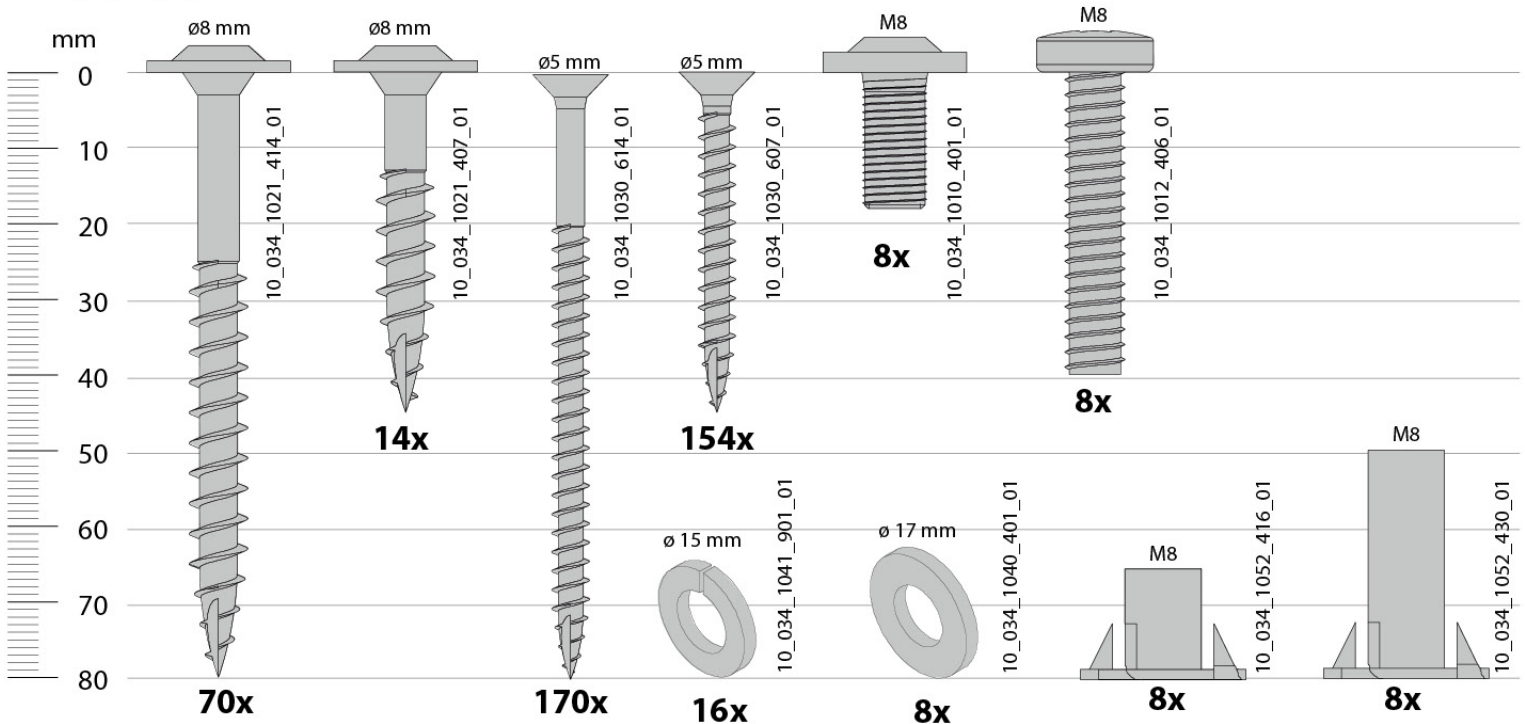
14_001_101_05



<p>6x 10_030_5051_120_04</p>	<p>2x 10_217_2050_100_04</p>	<p>1x 10_217_2050_200_04</p>	<p>1x 10_217_2050_300_04</p>	<p>1x 11_207_1010_401_04</p> <p>41x 10_205_2030_000_04</p>
<p>1x 10_467_3010_101_26</p>		<p>2x 11_003_3030_202_06</p>		<p>1x 11_001_1010_100_25</p>

Hardware P - Kit A

11_001_1010_100_25



2.1b

Content P - Kit B

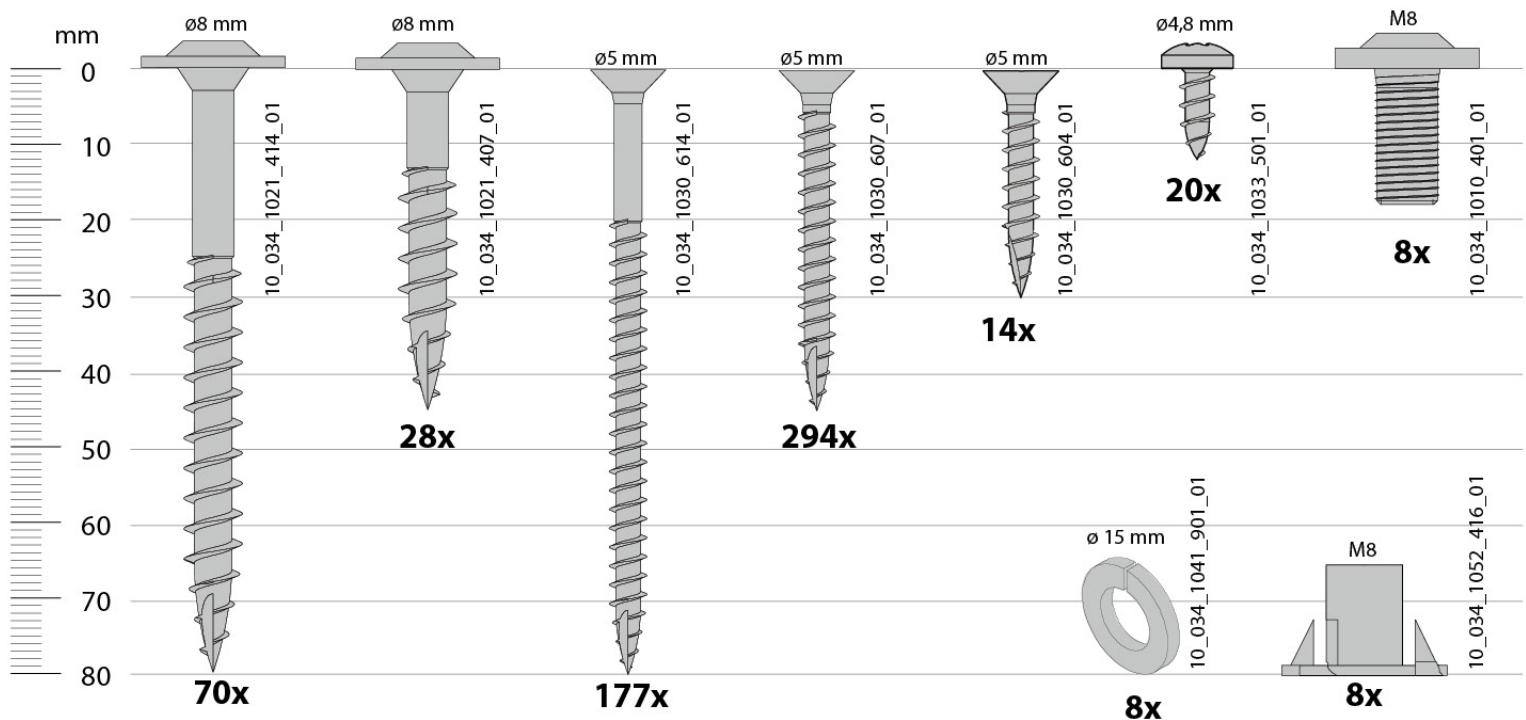
14_001_101_10



<p>1x 11_207_1090_101_02</p> <p>14x 10_201_2075_205_04</p>	<p>6x 10_030_5051_120_04</p>
<p>1x 10_467_3010_201_26</p>	<p>1x 11_203_1031_122_25</p>
<p>2x 10_030_5011_001_04</p>	<p>1x 11_203_1030_105_25</p>
<p>4x 10_030_5010_000_04</p>	<p>2x 10_201_2075_405_04</p>
<p>1x 11_203_1041_108_04</p> <p>8x 10_205_2031_000_04</p>	<p>1x 11_001_1010_200_25</p>
<p>1x 11_207_1010_601_04</p> <p>55x 10_205_2030_000_04</p>	<p>2x 11_003_3030_202_06</p>
<p>4x 10_026_4010_301_01</p>	

Hardware P - Kit B

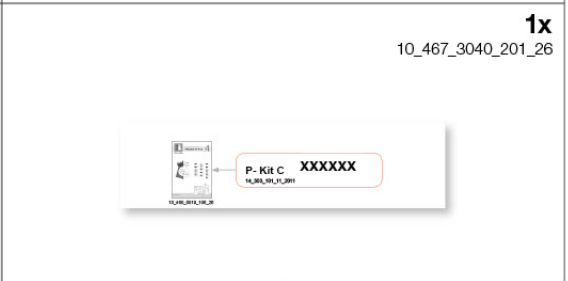
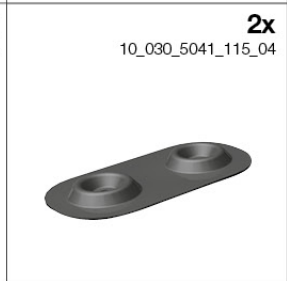
11_001_1010_200_25



2.1c

Content P - Kit C

14_303_101_11



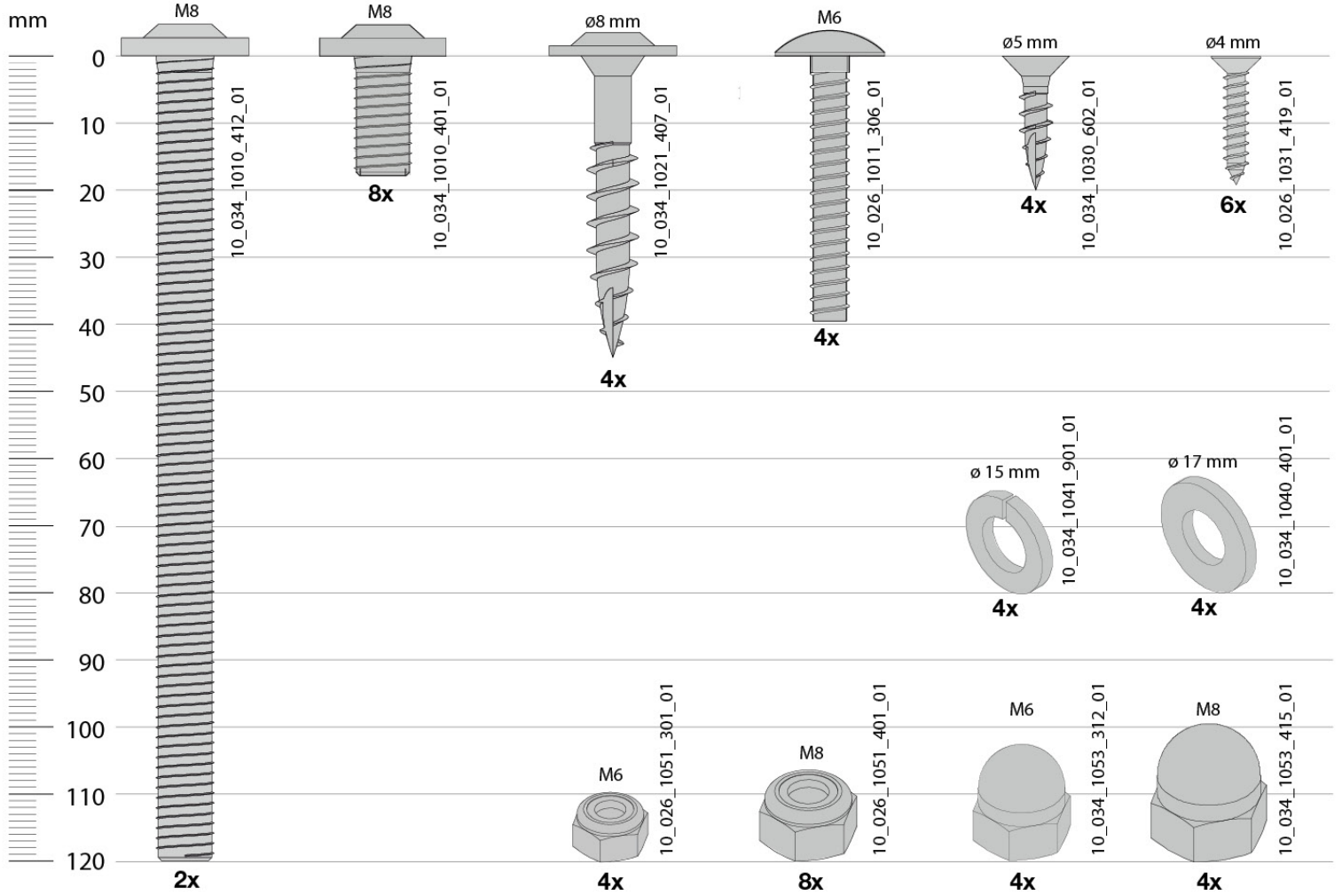
Tools

11_002_1010_202_25



Hardware P - Kit C

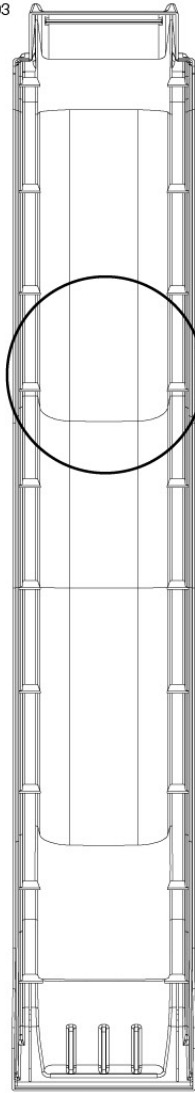
11_001_1030_100_25



2.2a

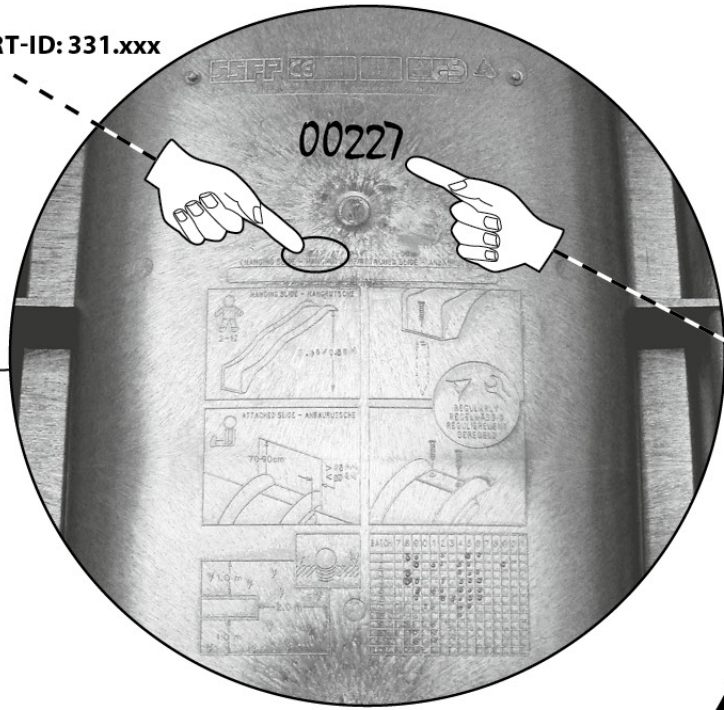
Hy-Slide Polyethylene

14_306_301_03

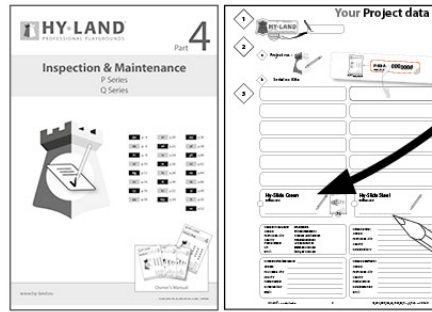


Back

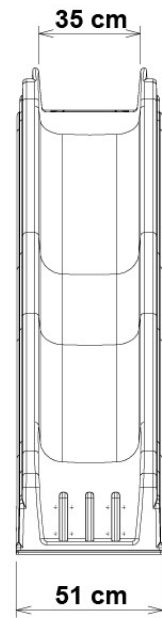
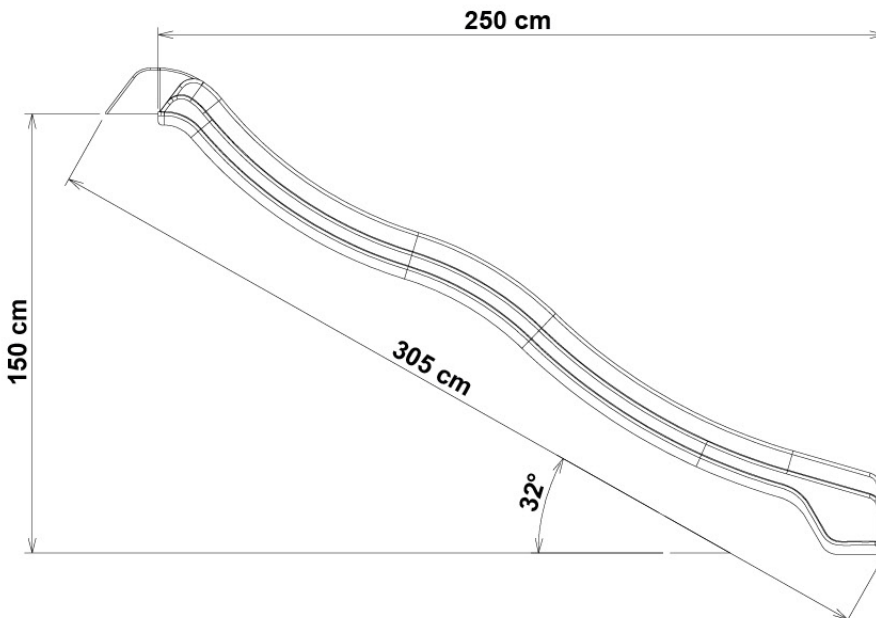
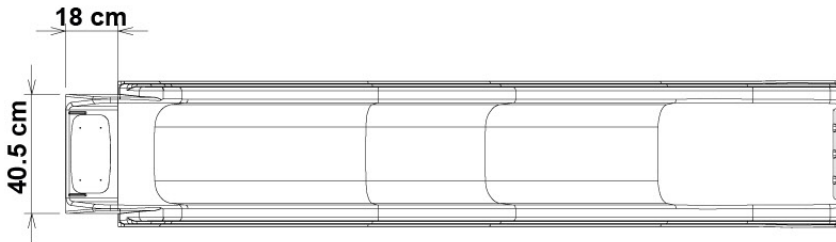
PART-ID: 331.xxx



SERIAL NO.



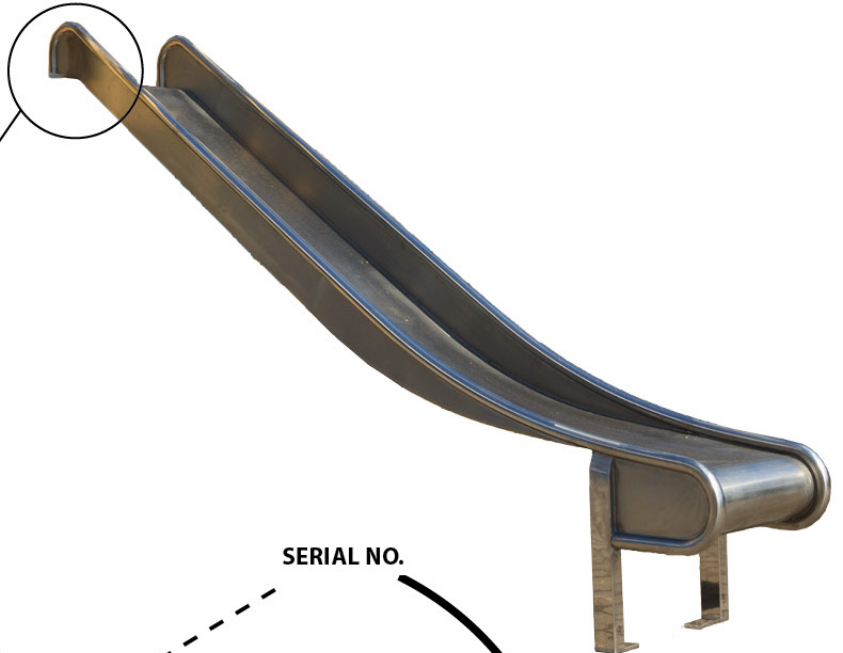
10_460_0819_106_26



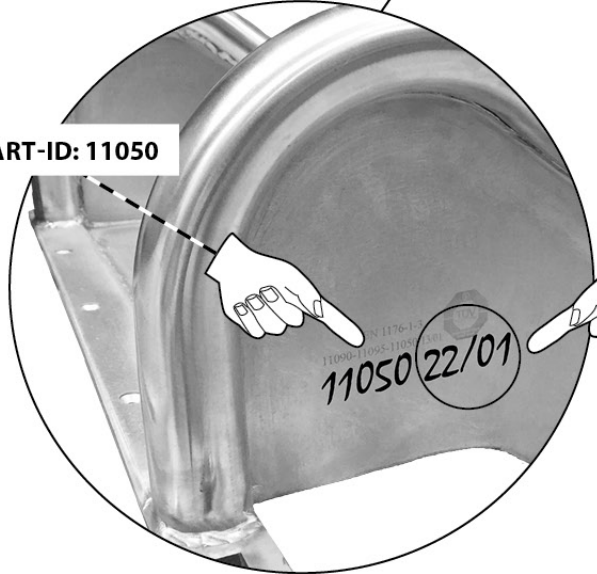
2.2b

Hy-Slide Stainless Steel

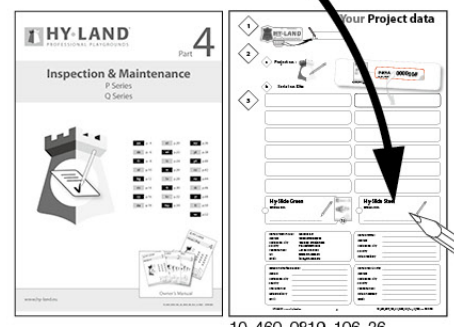
14_306_301_50



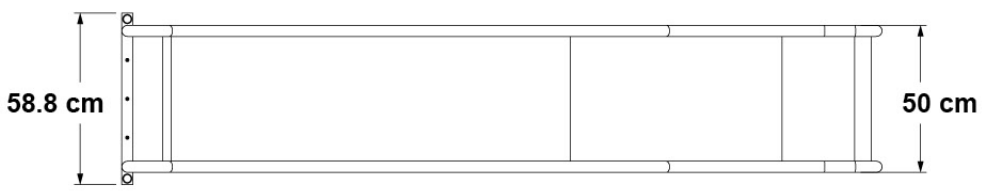
PART-ID: 11050



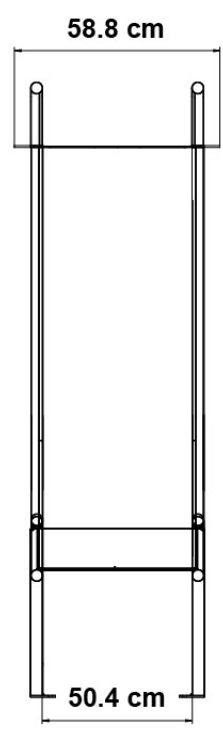
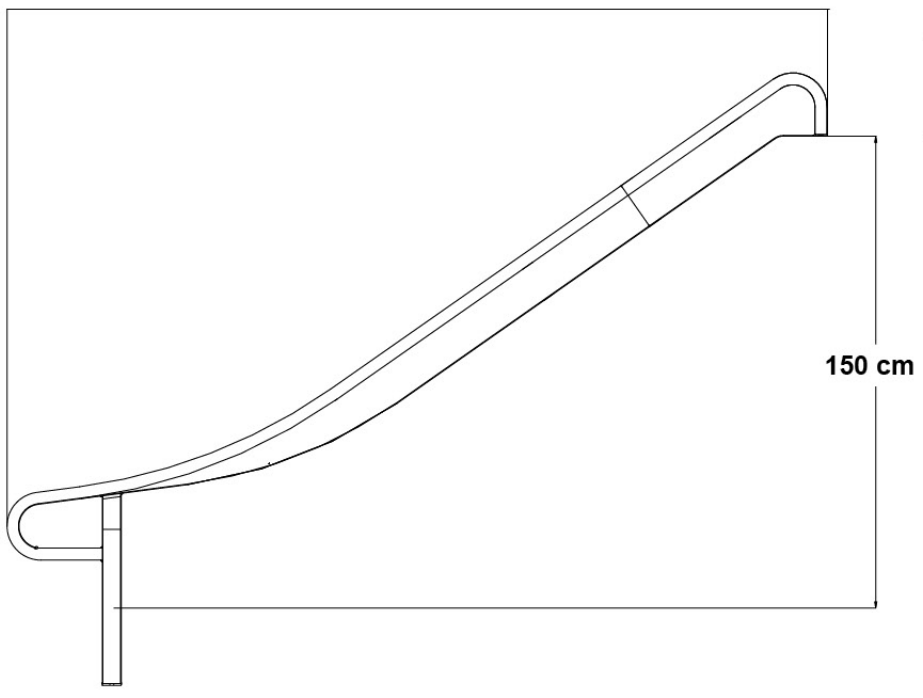
SERIAL NO.



10_460_0819_106_26

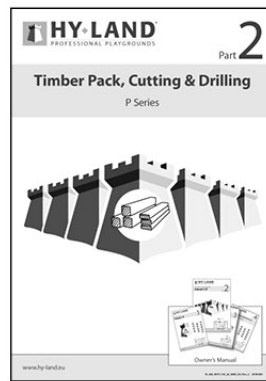


260 cm



2.3

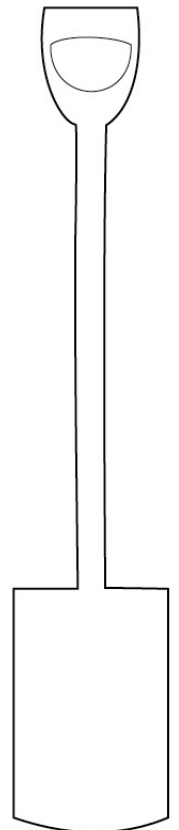
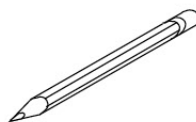
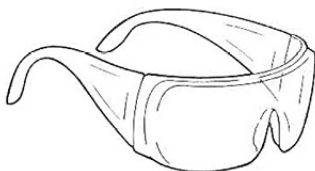
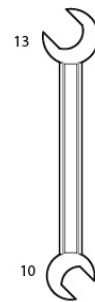
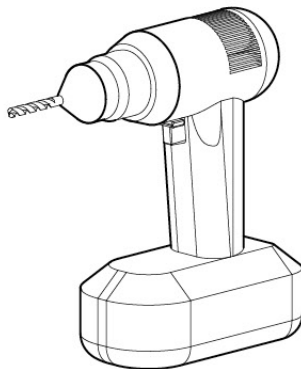
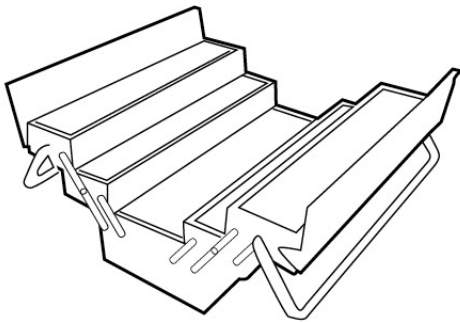
Timber



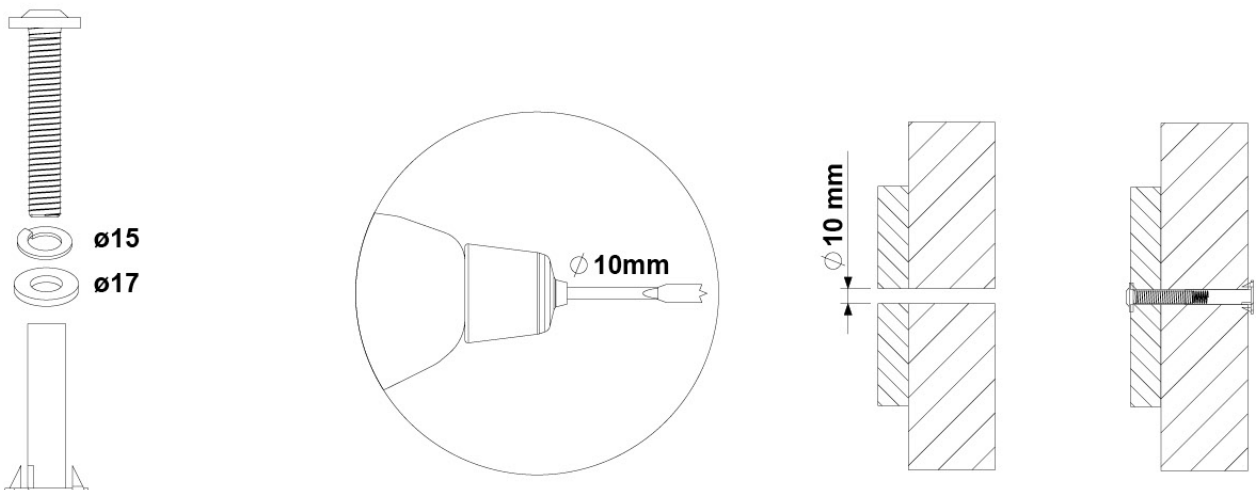
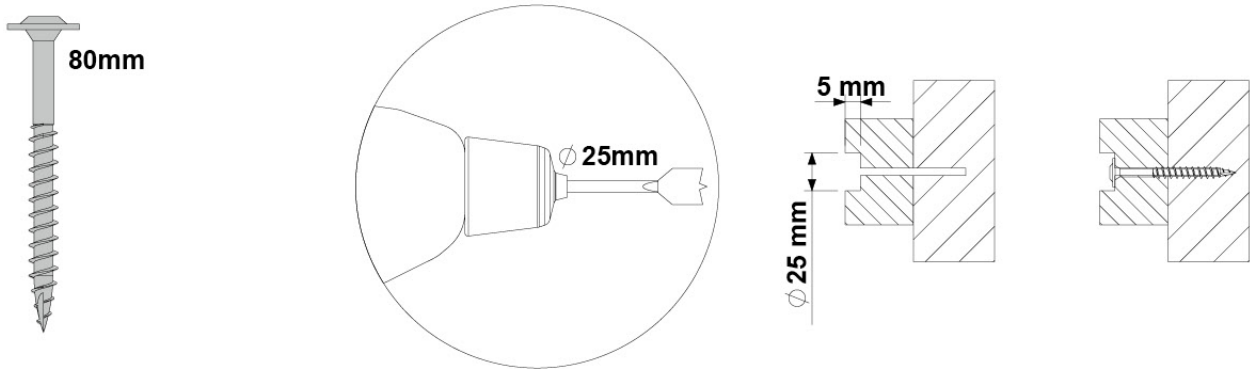
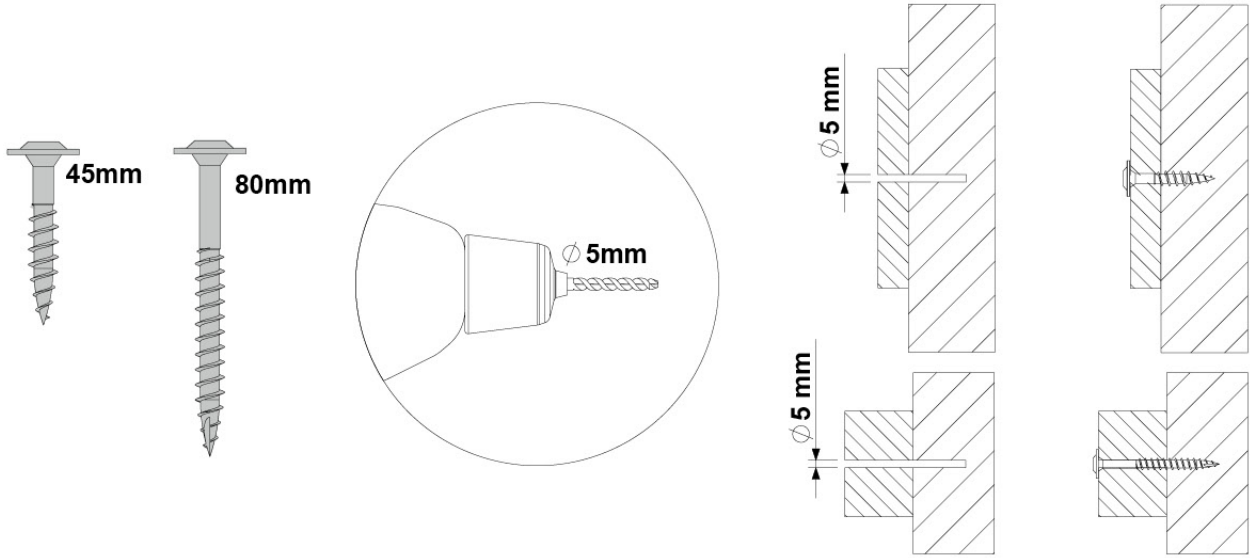
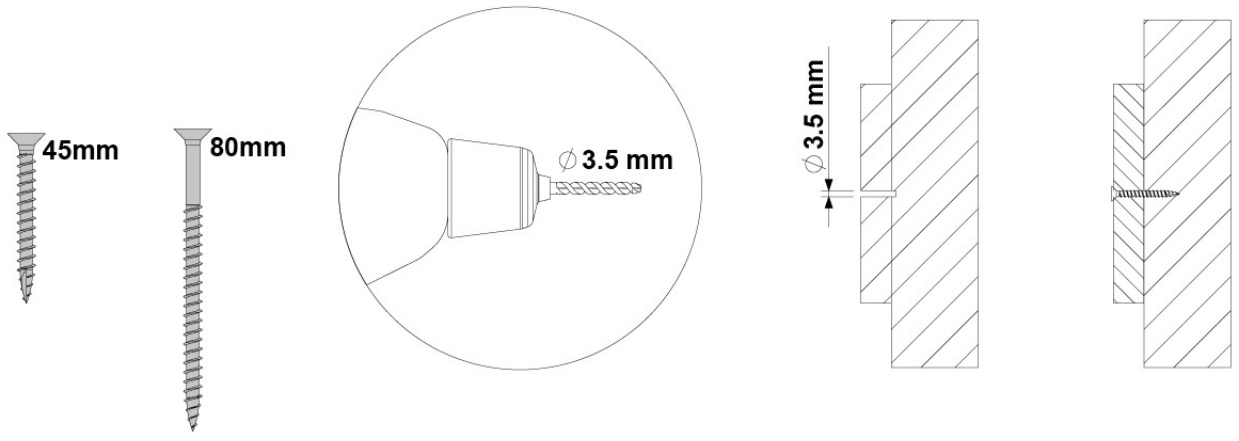
10_460_0019_102_26

3.1

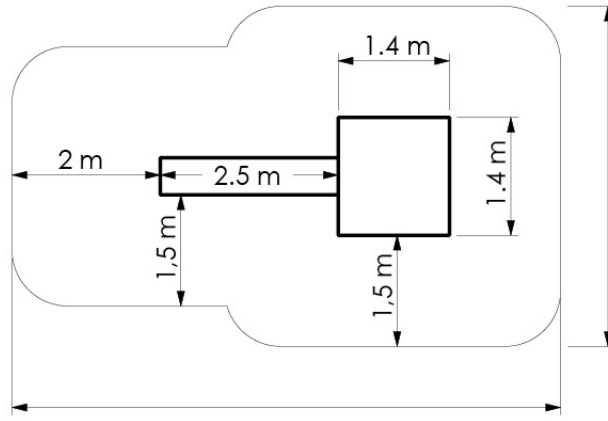
Tools



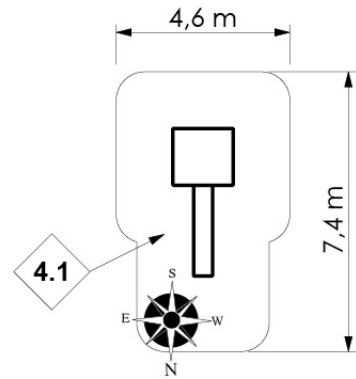
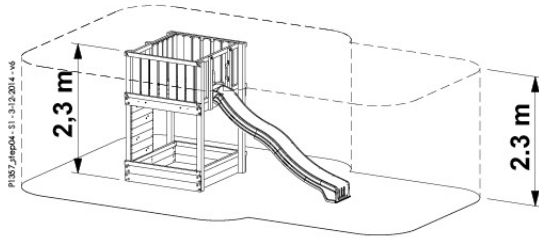
3.2



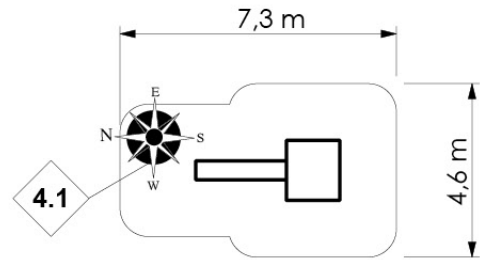
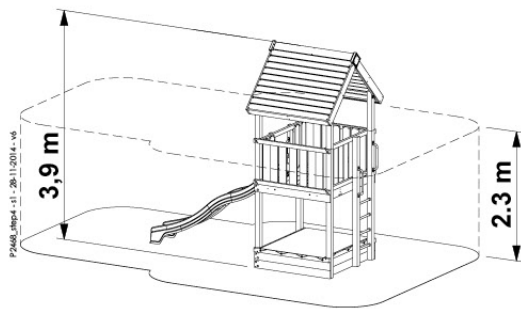
4



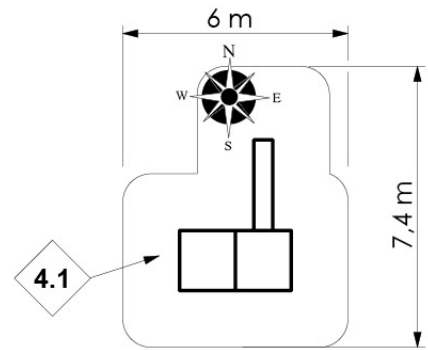
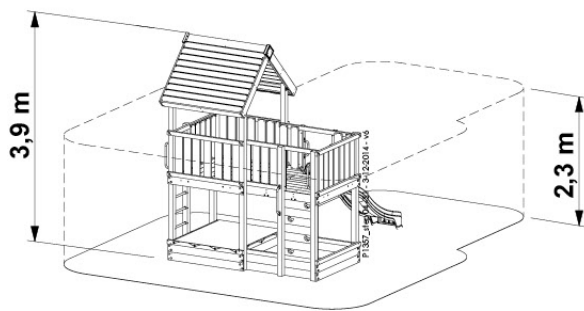
1



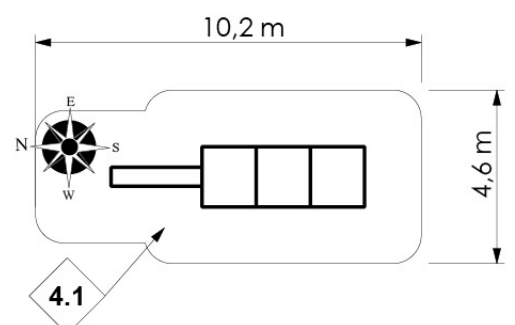
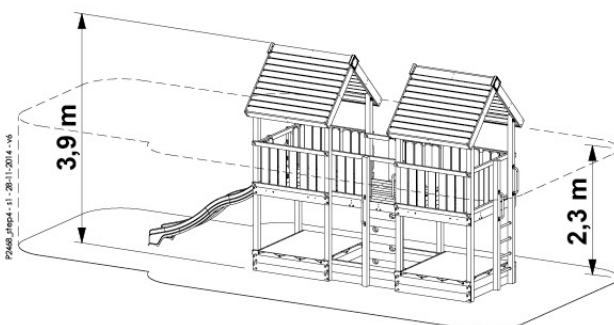
2



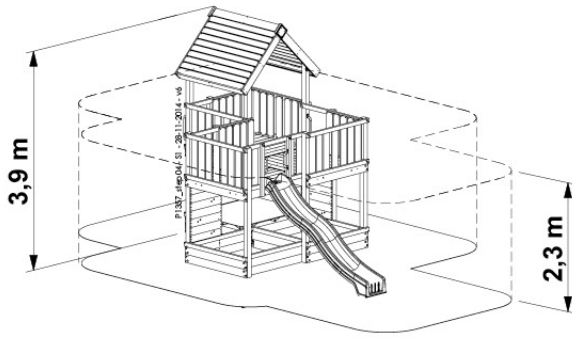
3



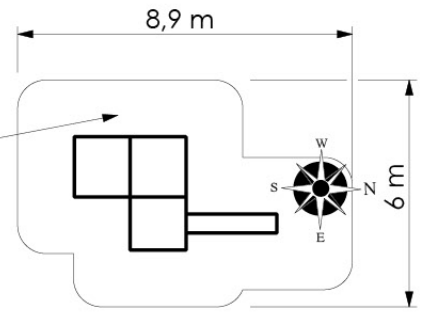
4



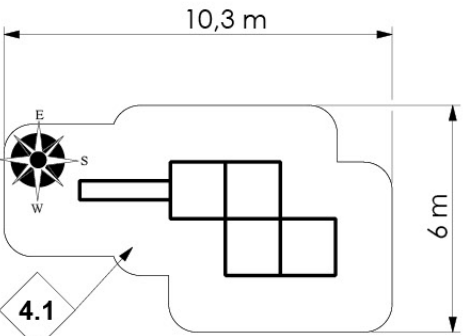
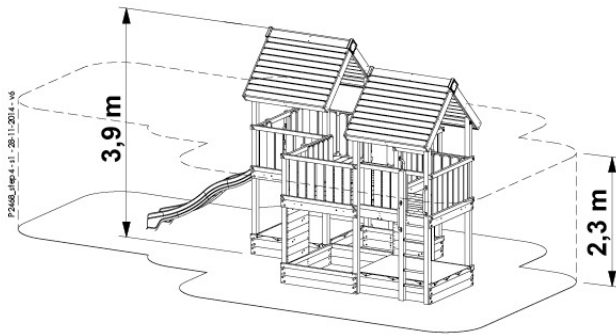
5



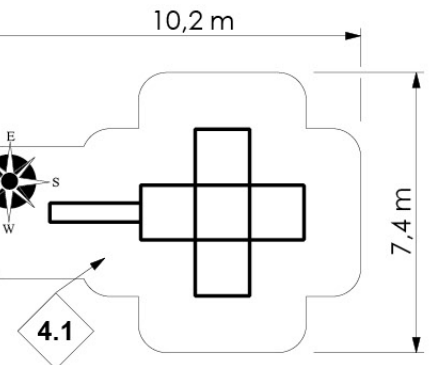
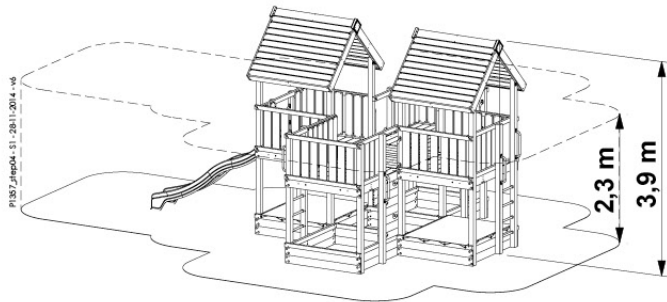
4.1



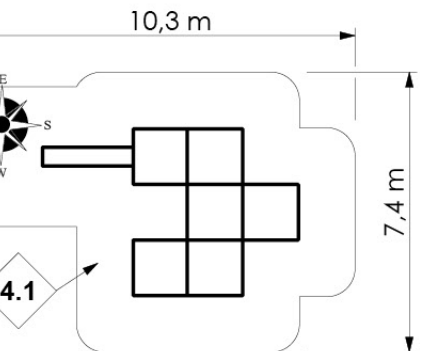
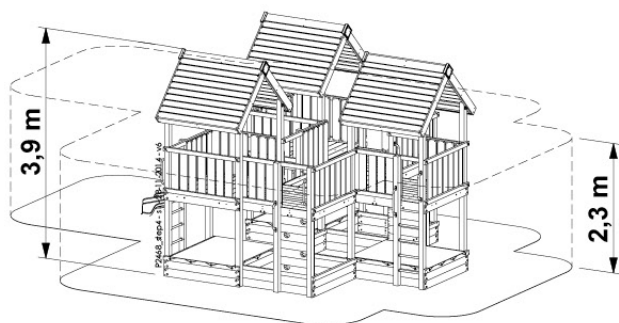
6



7



8

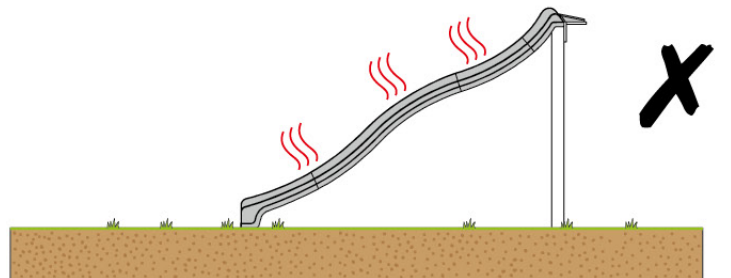
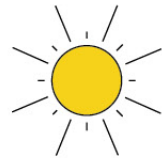
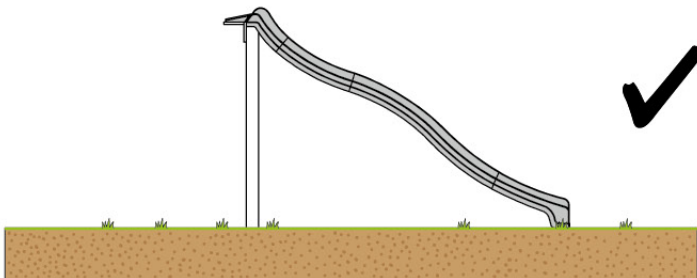
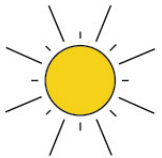
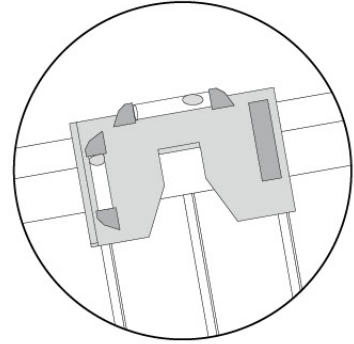
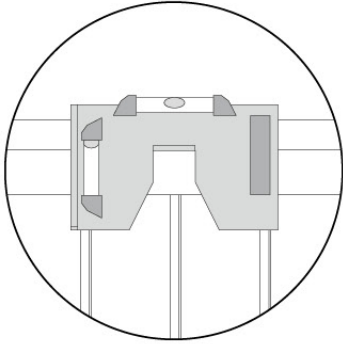
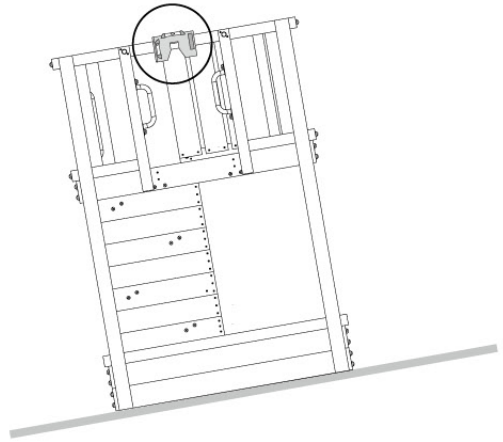
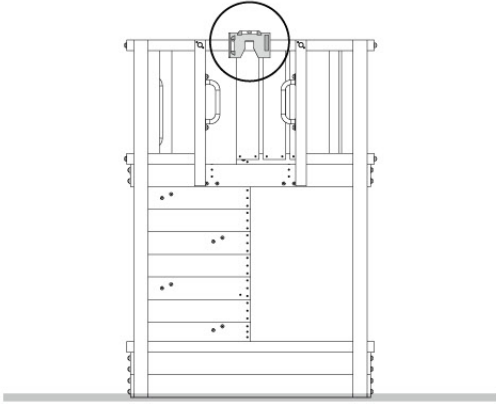


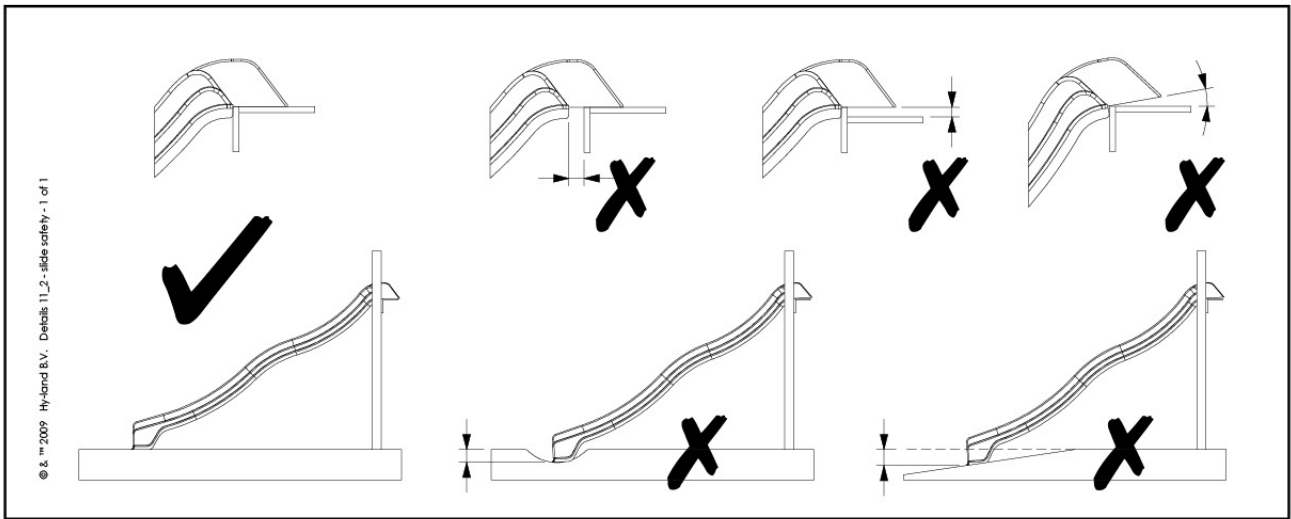


1x

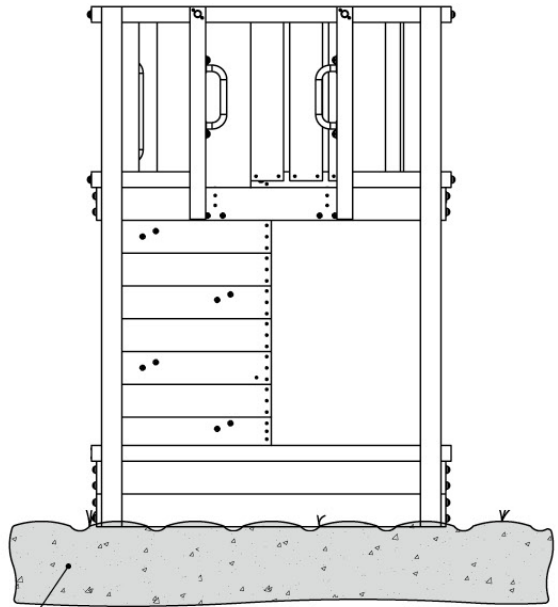
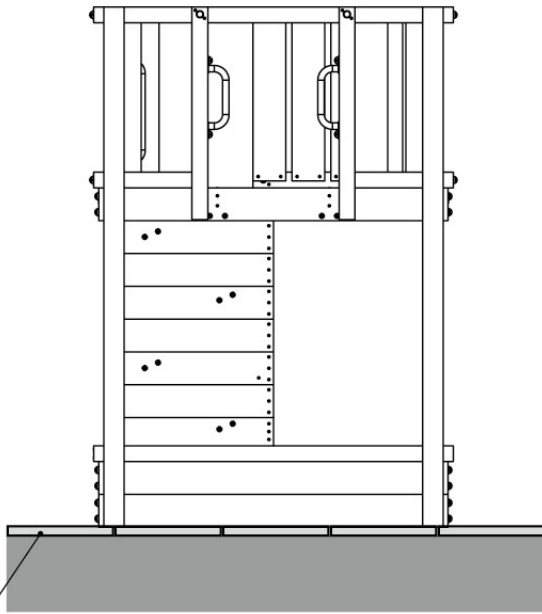


10_209_2031_105_05





4.1



i

Part 1

HY-LAND

General & Safety

4.2

A small icon showing a hand holding a document, representing a manual or instruction sheet.

4.2

i

Part 1

HY-LAND

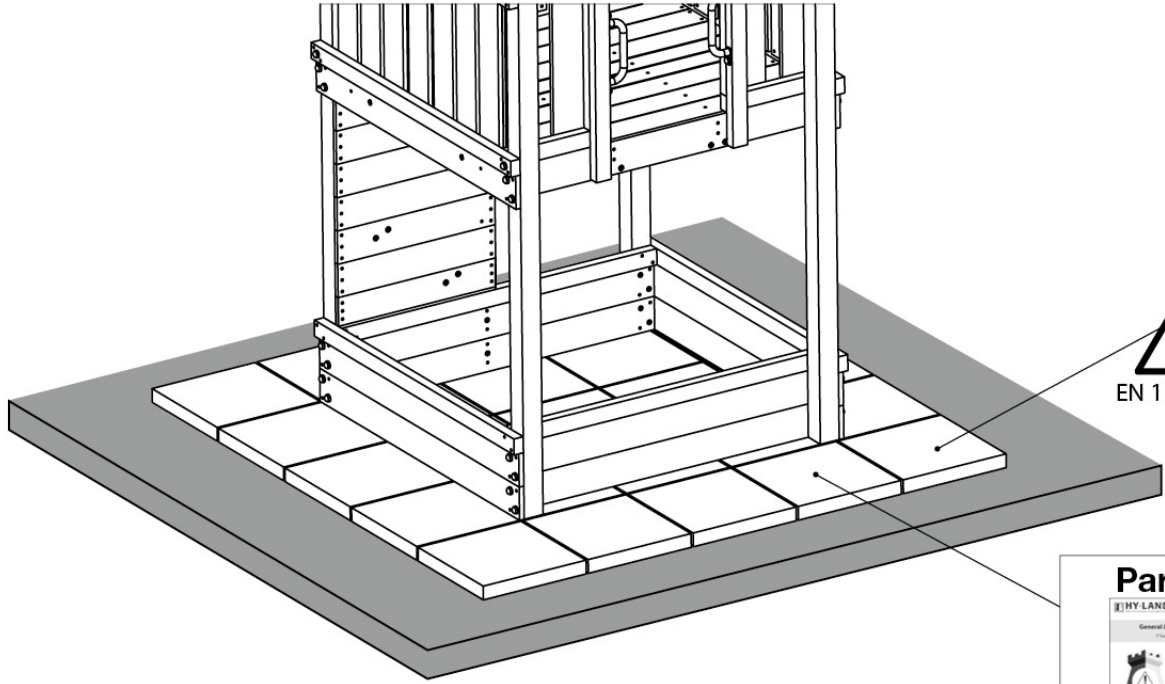
General & Safety

4.3

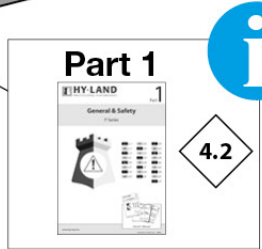
A small icon showing a hand holding a document, representing a manual or instruction sheet.

4.3

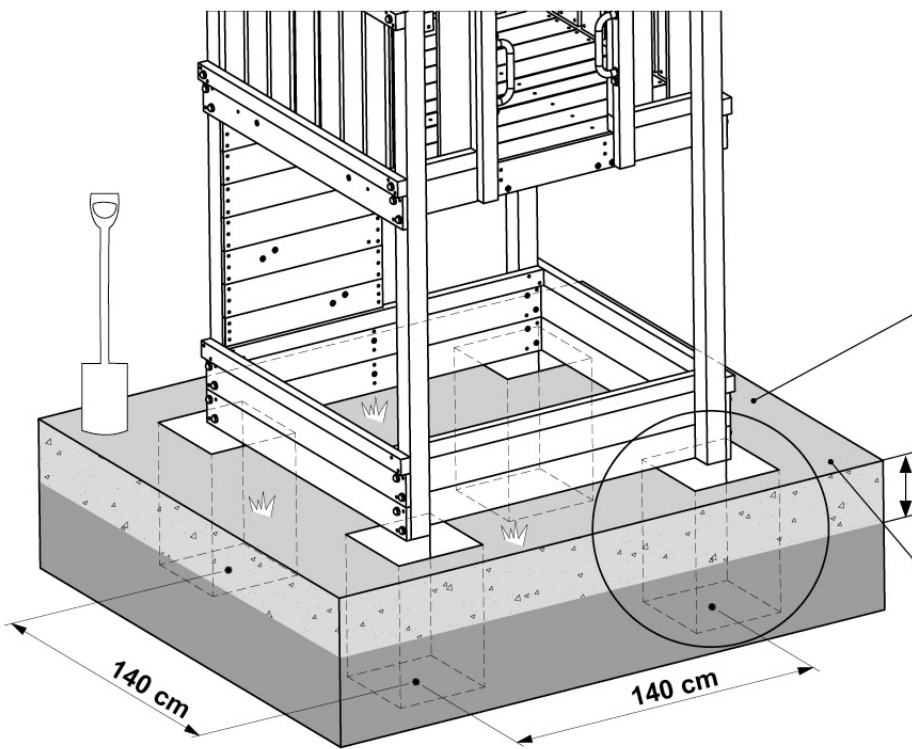
4.2



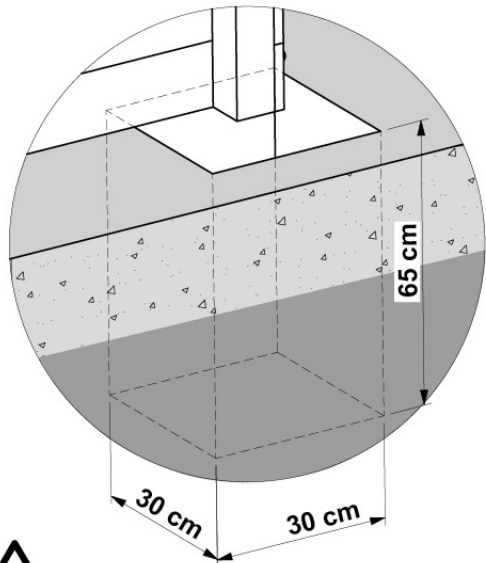
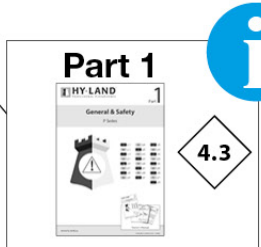
EN 1176:2017



4.3

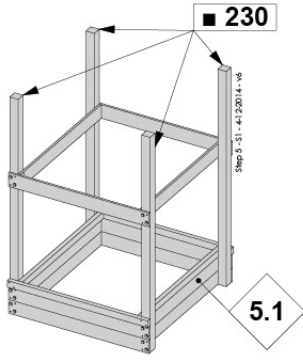


EN 1176:2017



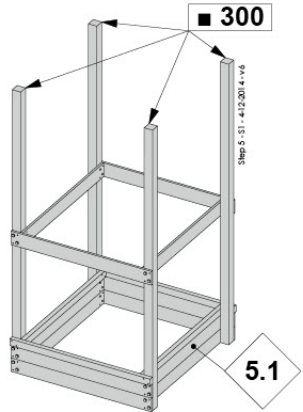
5

1



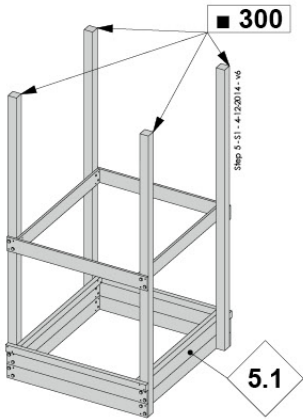
5.1

2

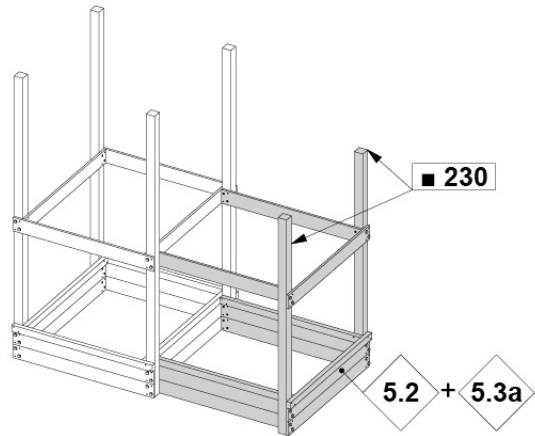
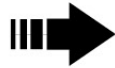


5.1

3

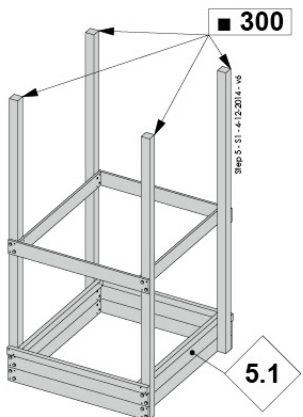


5.1

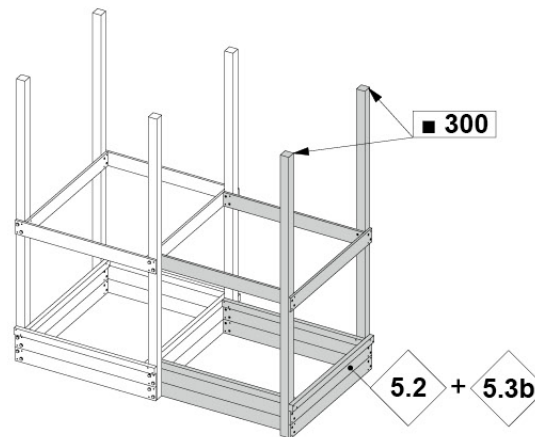
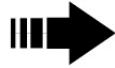


5.2 + 5.3a

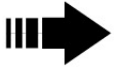
4

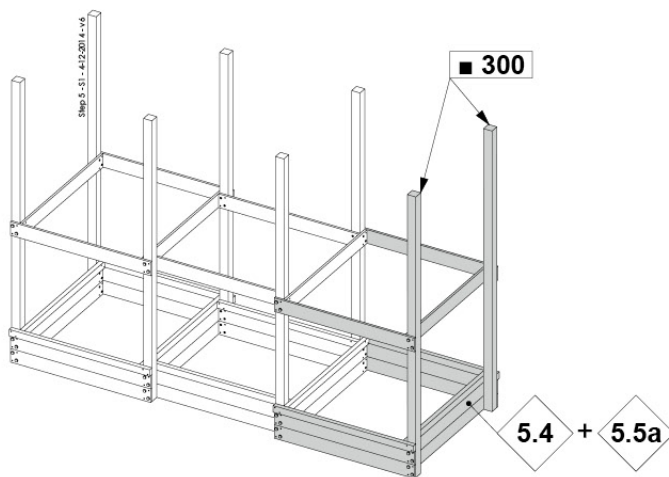


5.1



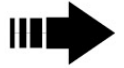
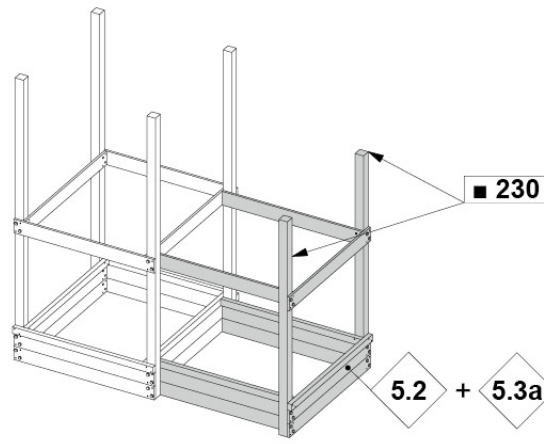
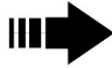
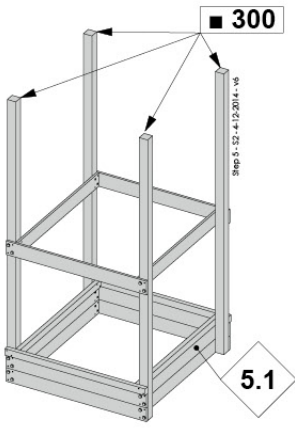
5.2 + 5.3b



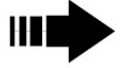
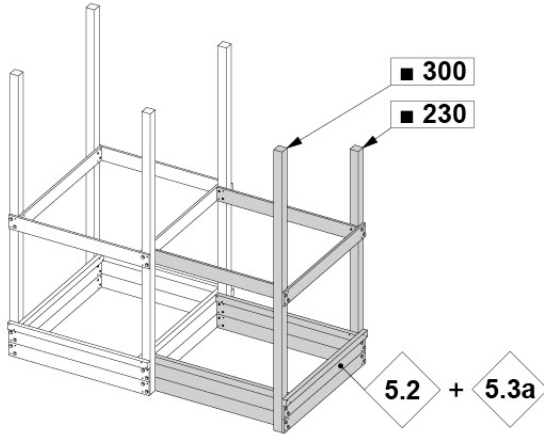
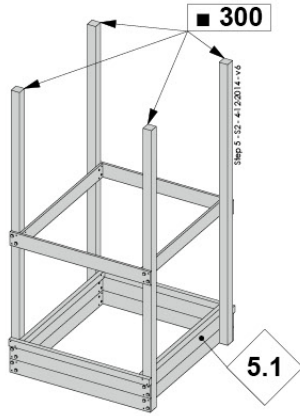


5

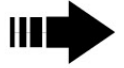
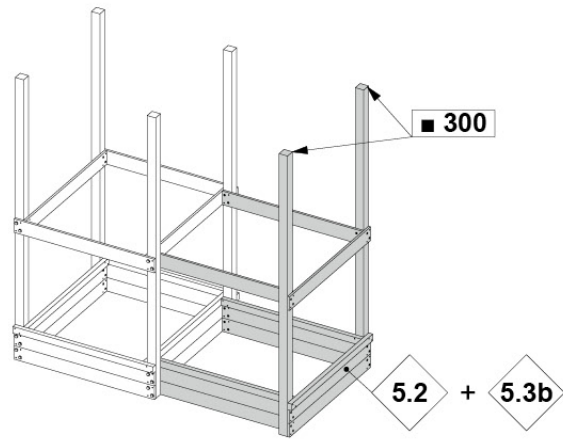
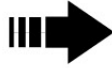
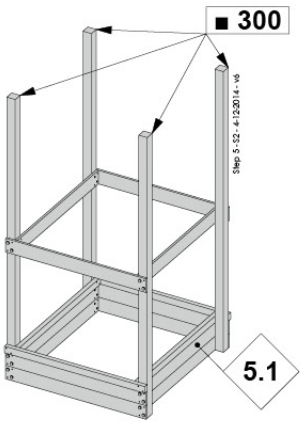
5



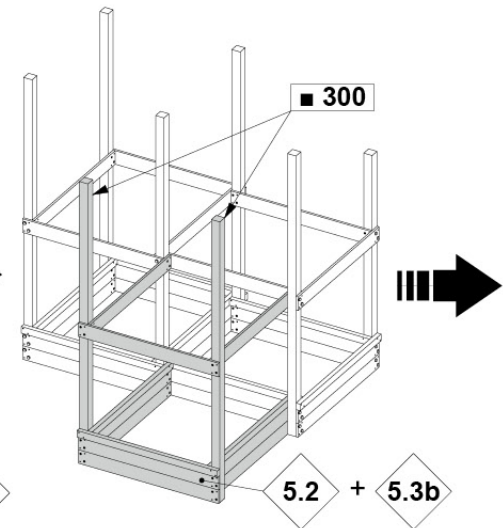
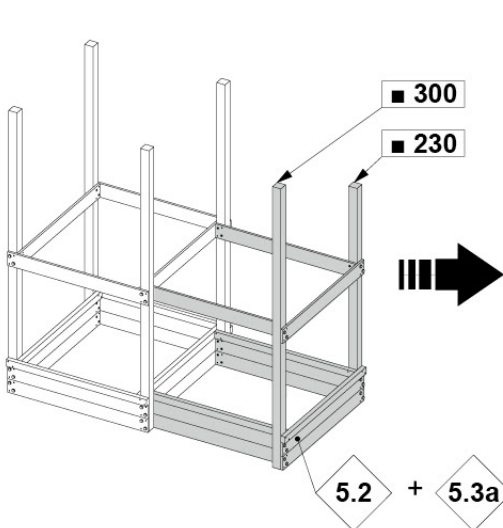
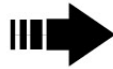
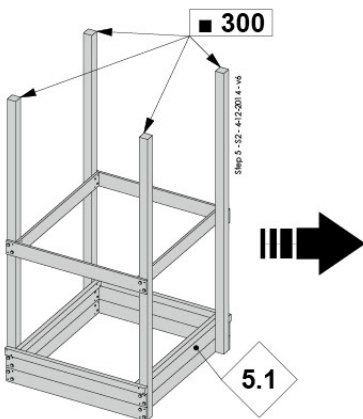
6

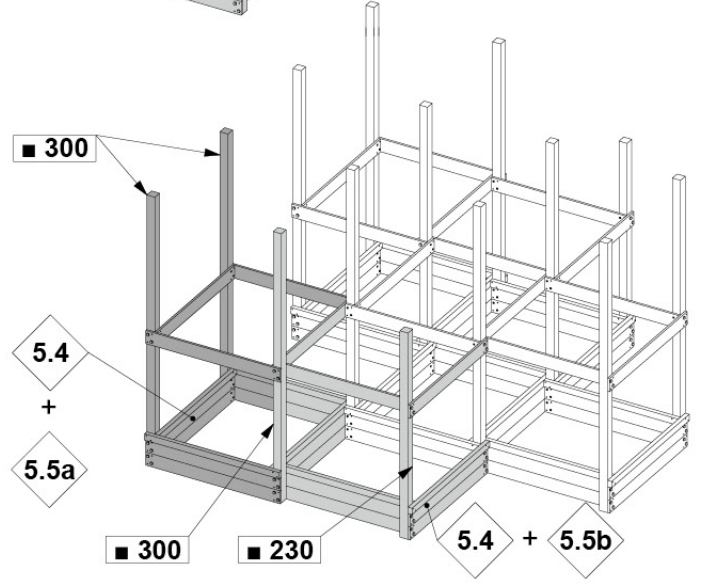
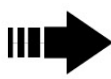
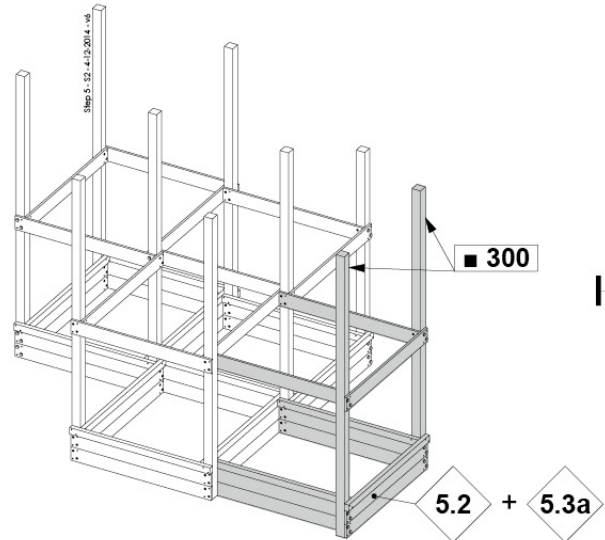
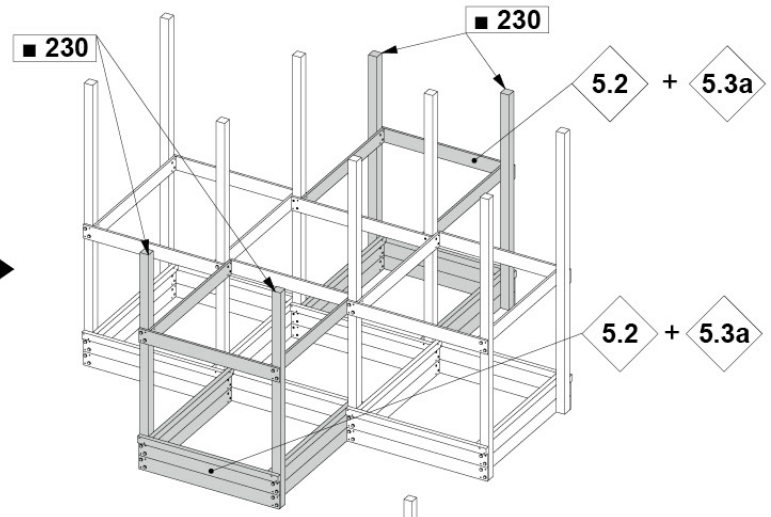
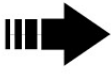
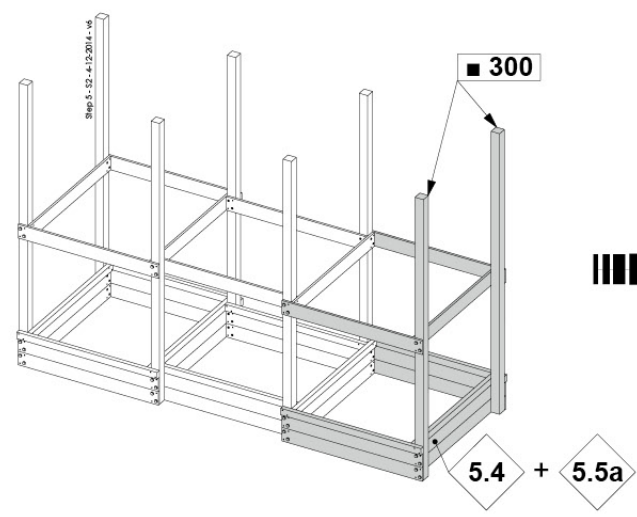
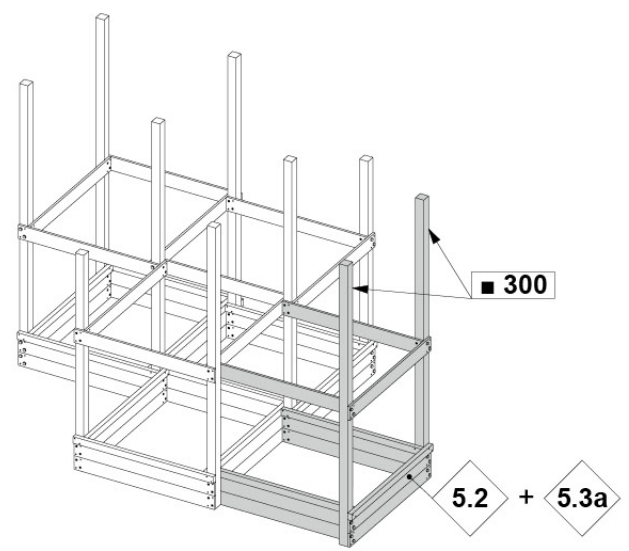
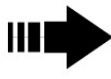
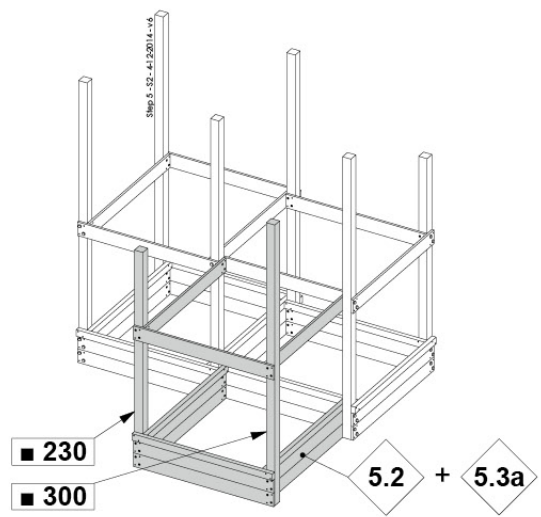
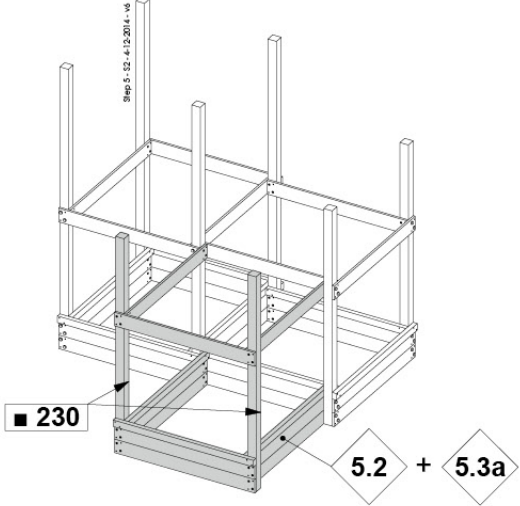


7



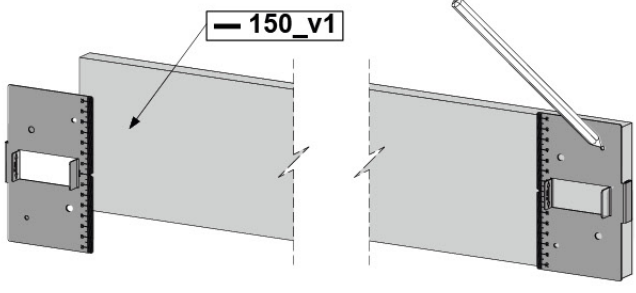
8





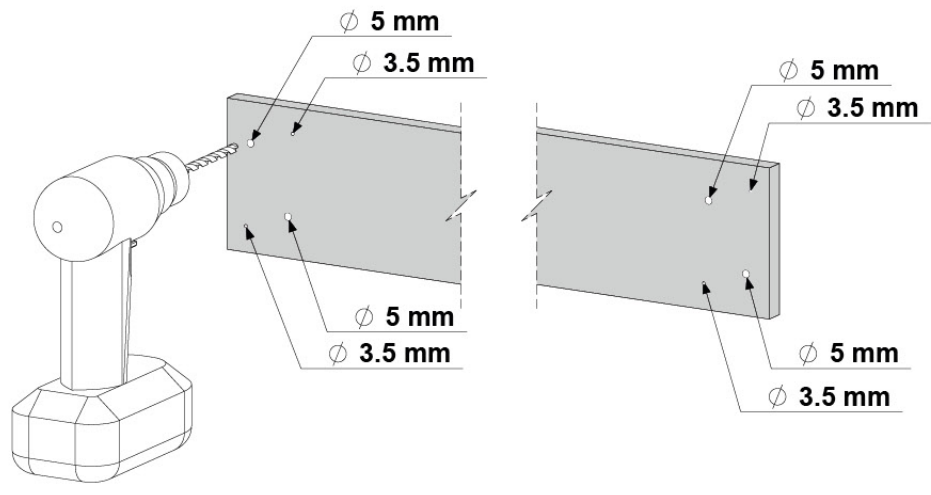
5

1

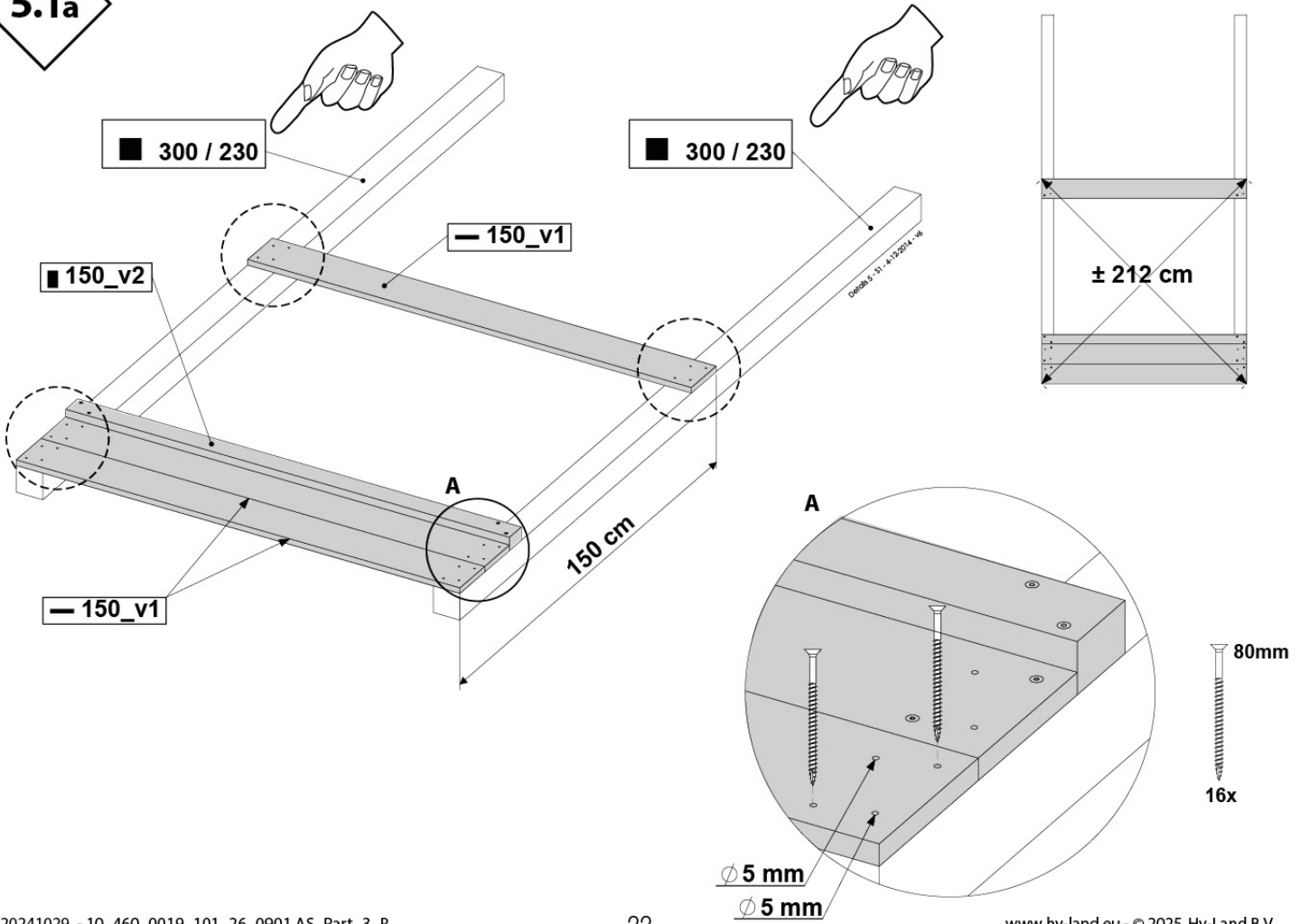


1	2	3	4	5	6	7	8
-	4x	4x	8x	4x	8x	8x	12x

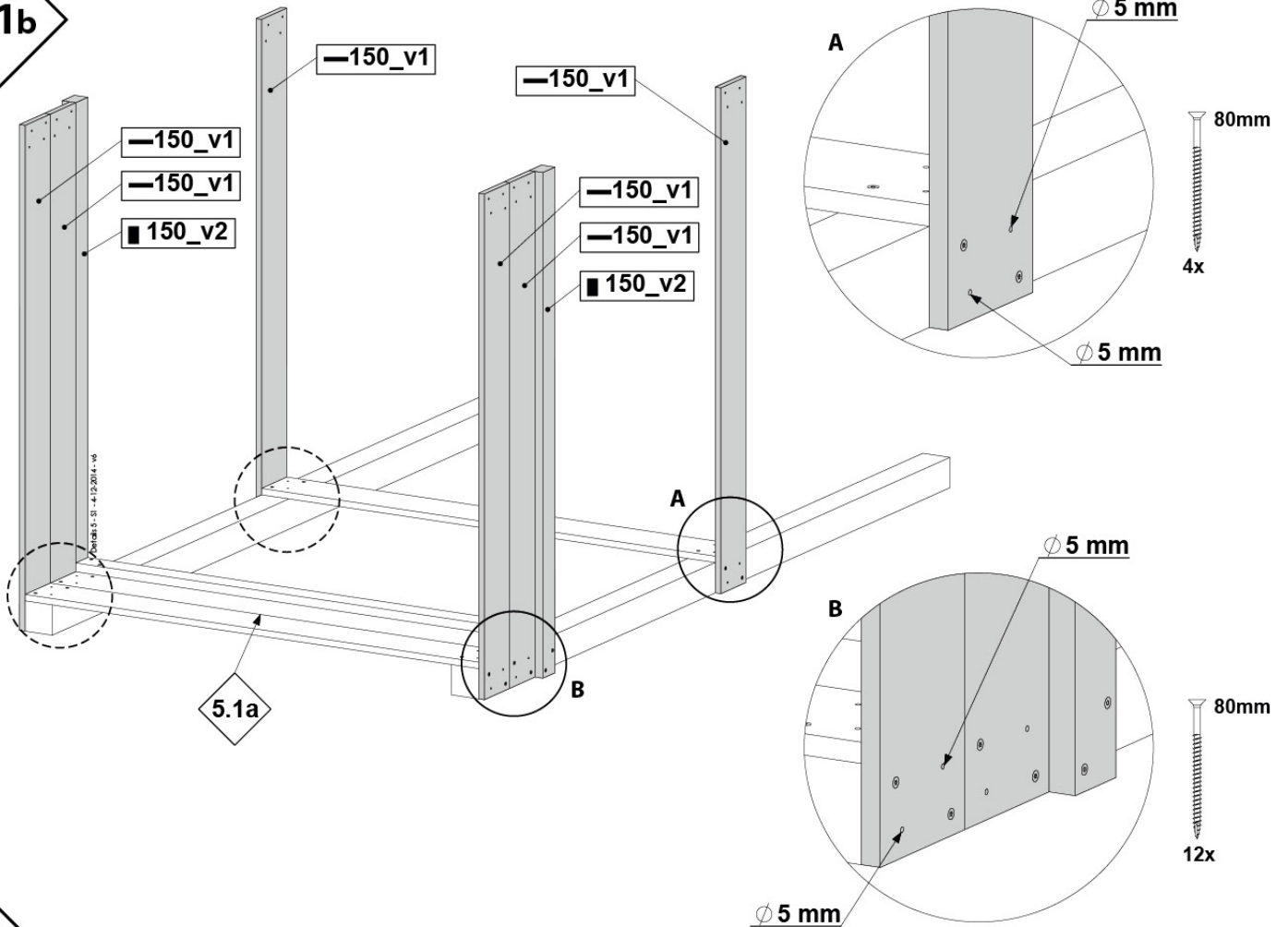
2



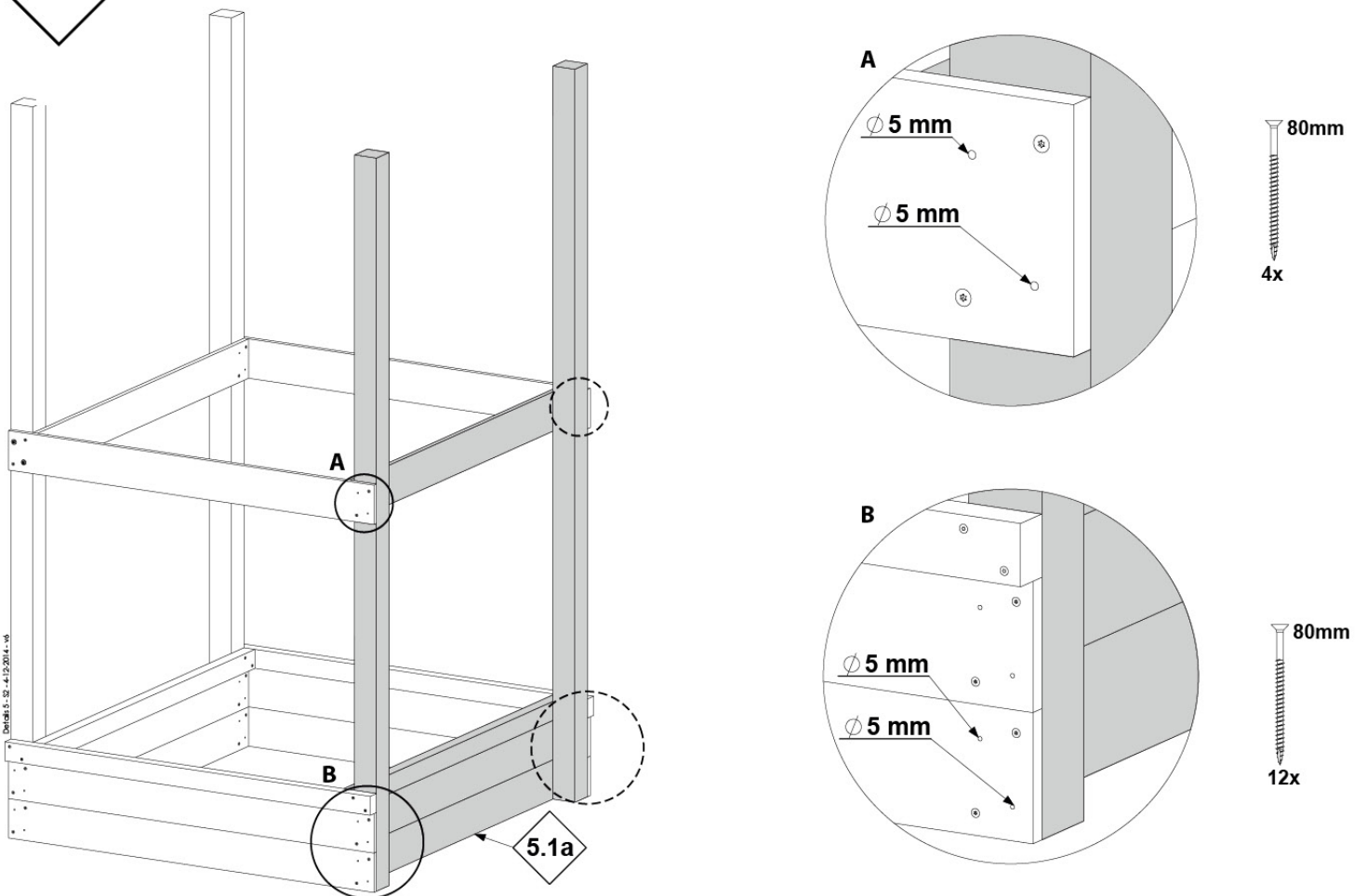
5.1a



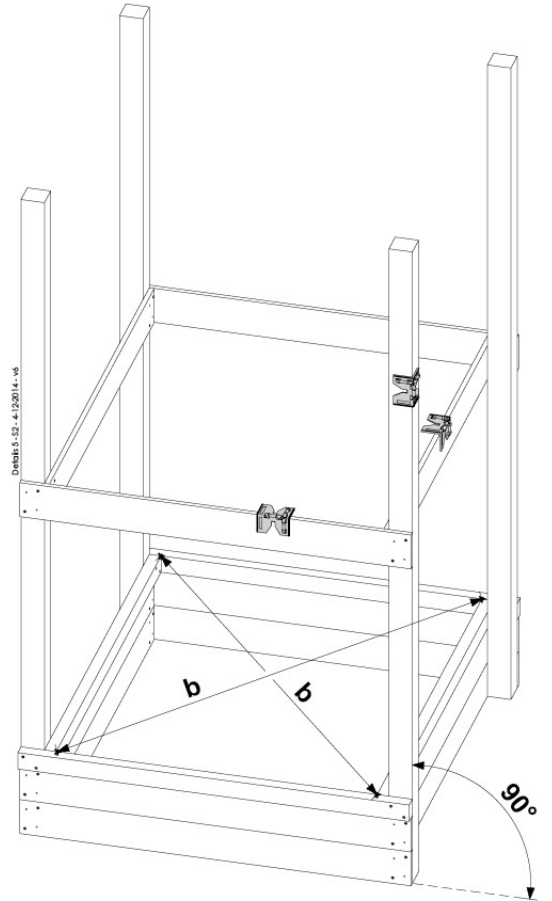
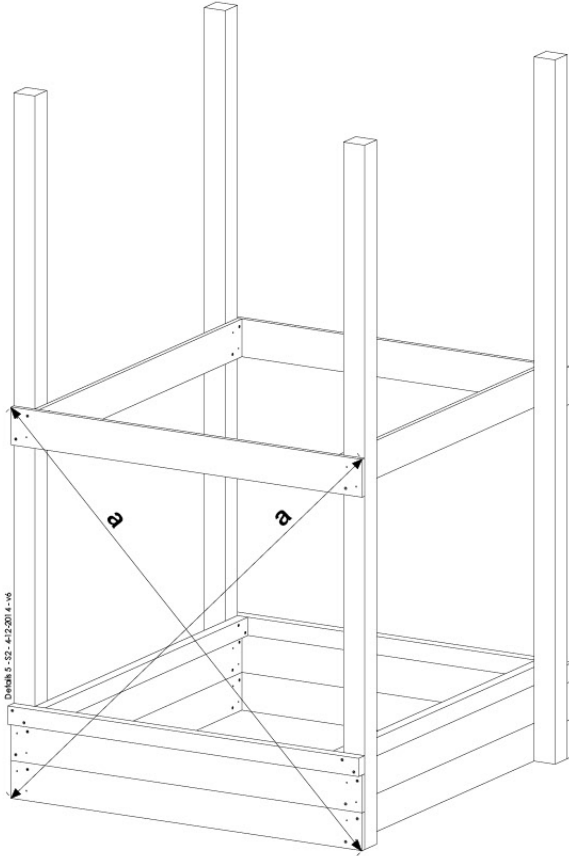
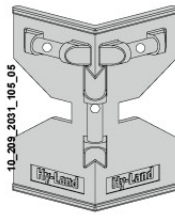
5.1b



5.1c

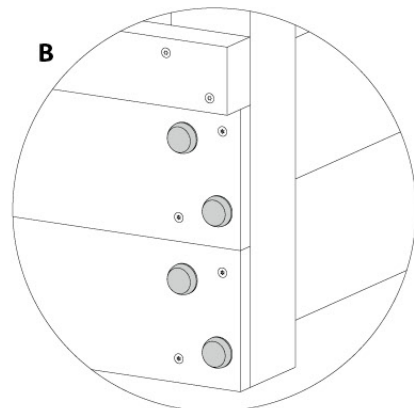
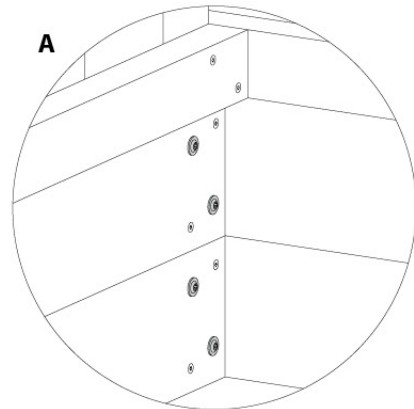
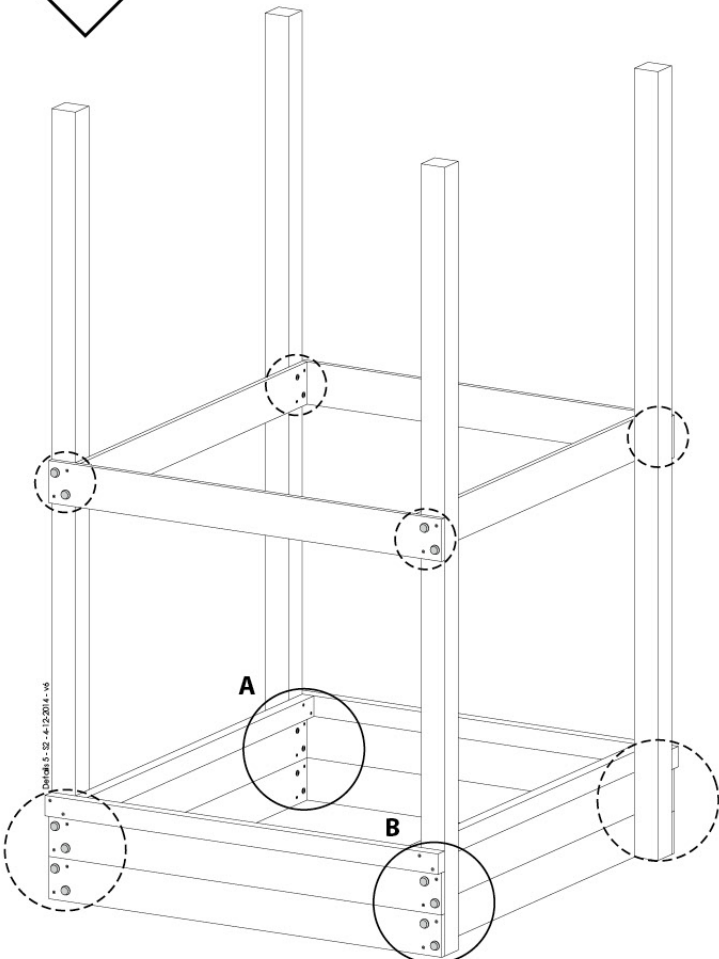


5.1d

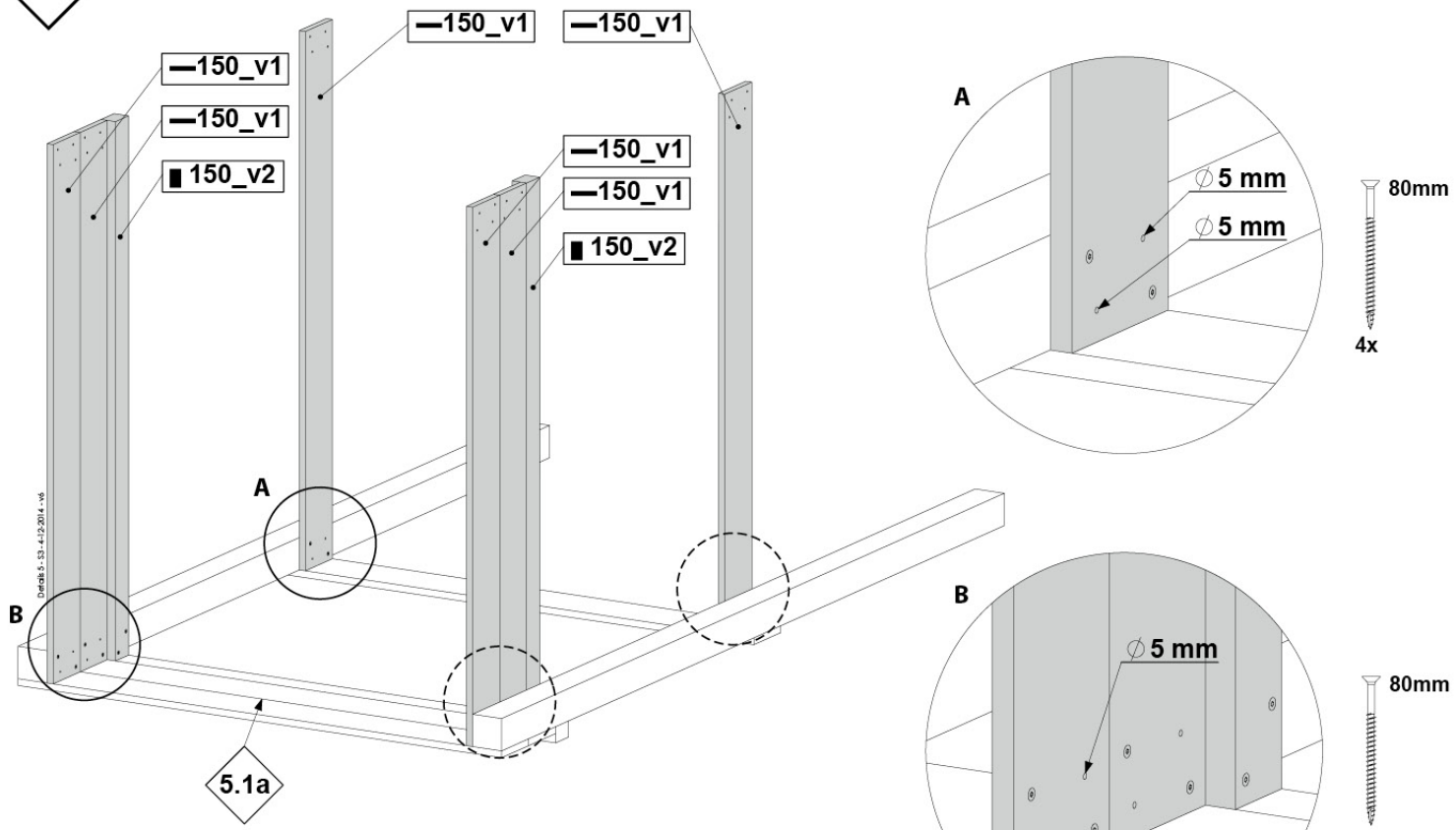


a = a
b = b

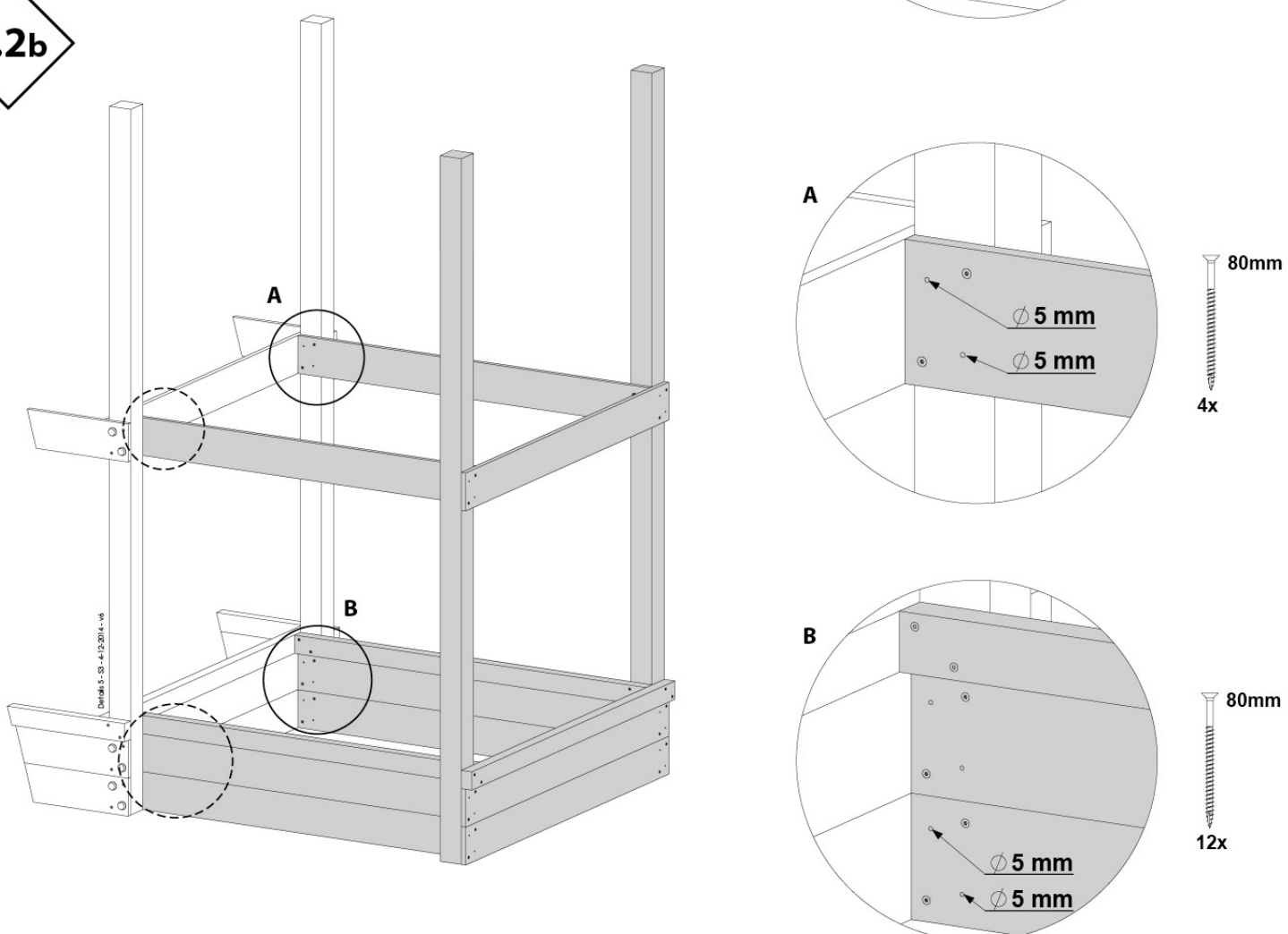
5.1e



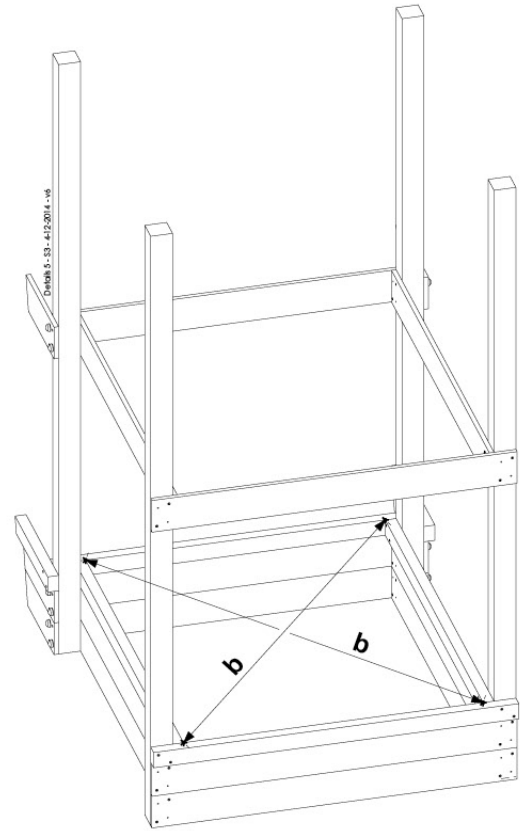
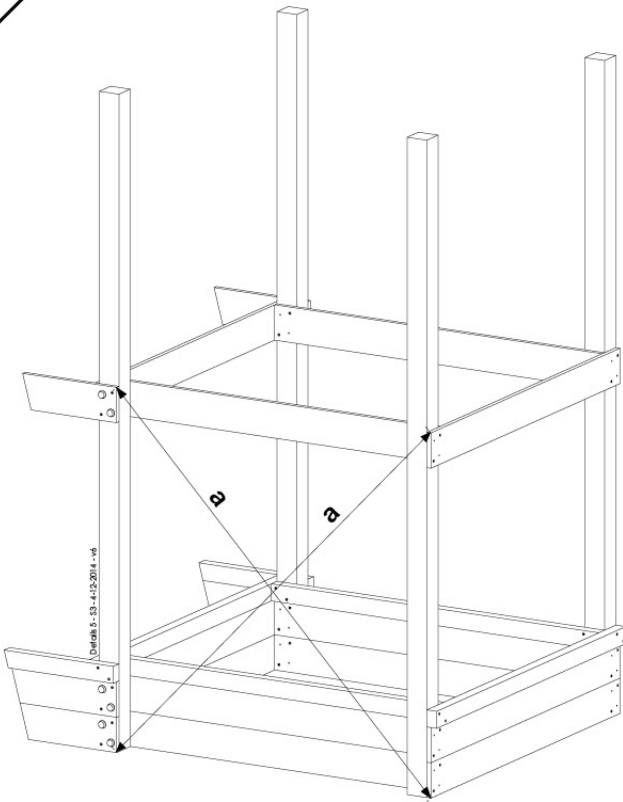
5.2a



5.2b

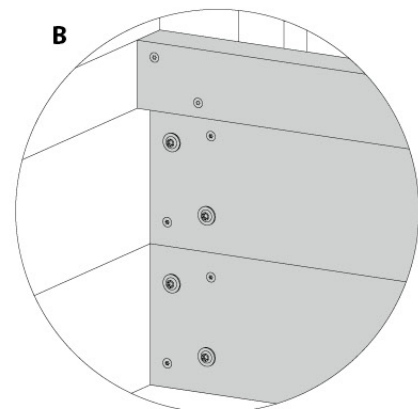
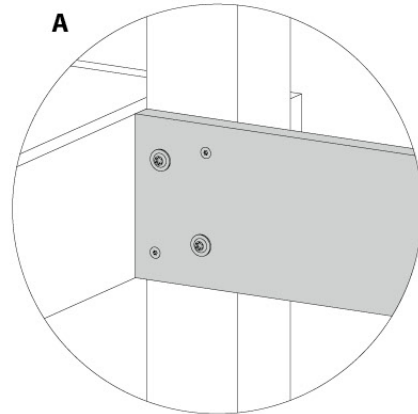
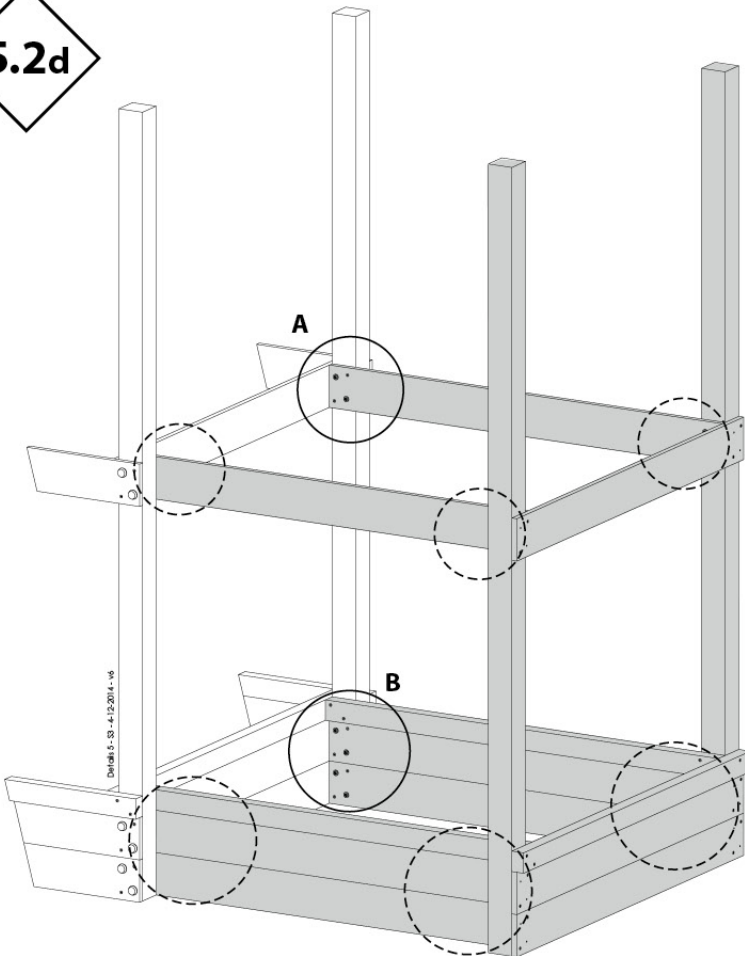


5.2c

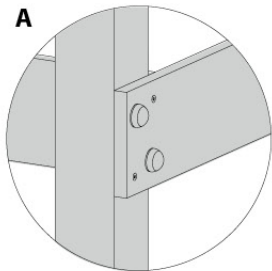
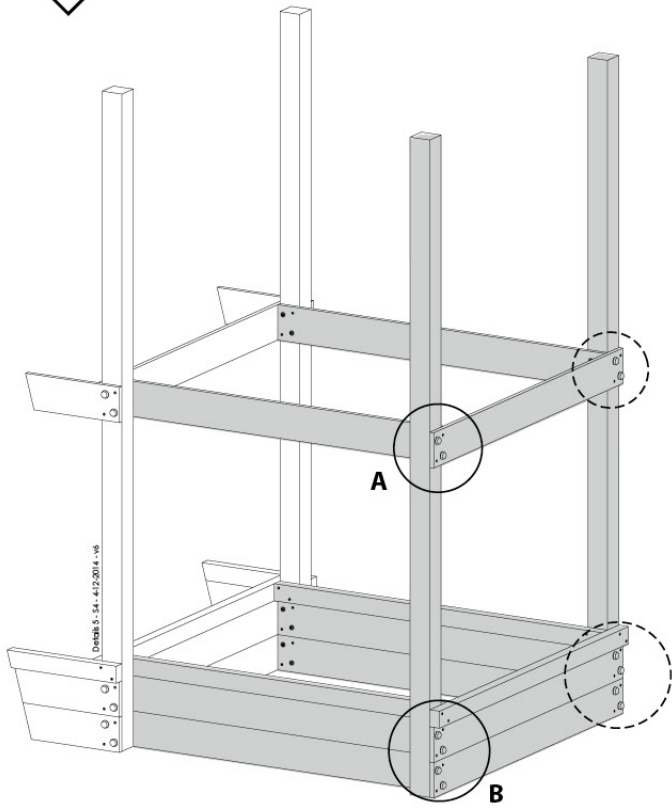


a = a
b = b

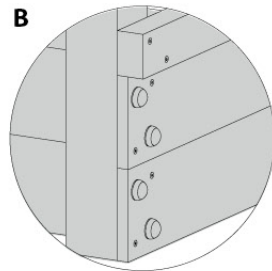
5.2d



5.3a

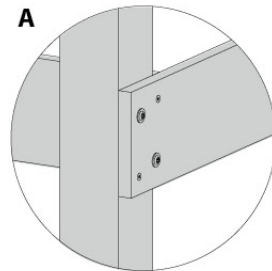
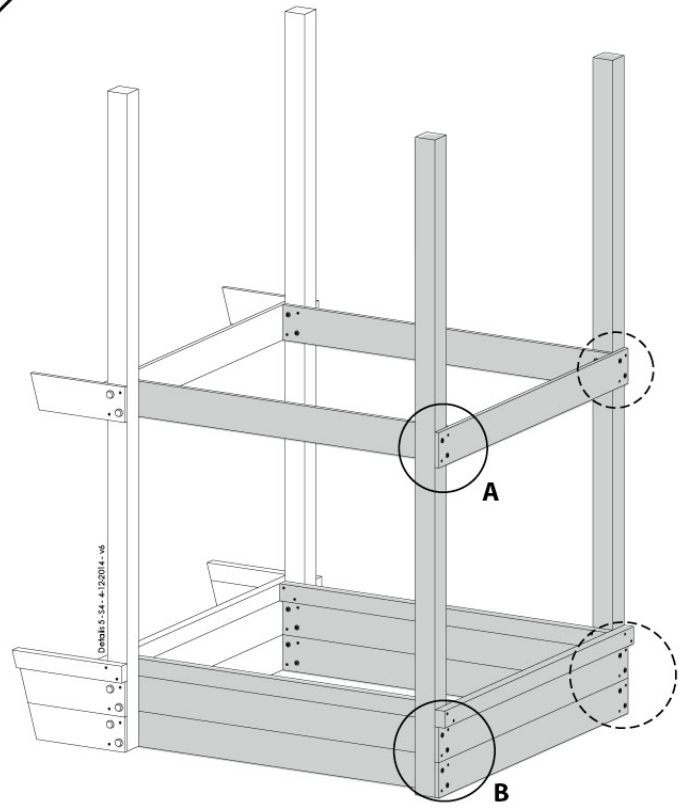


80mm
4x

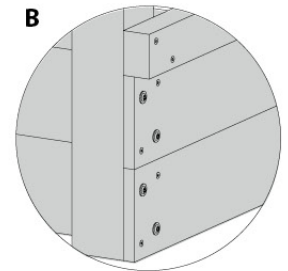


80mm
8x

5.3b

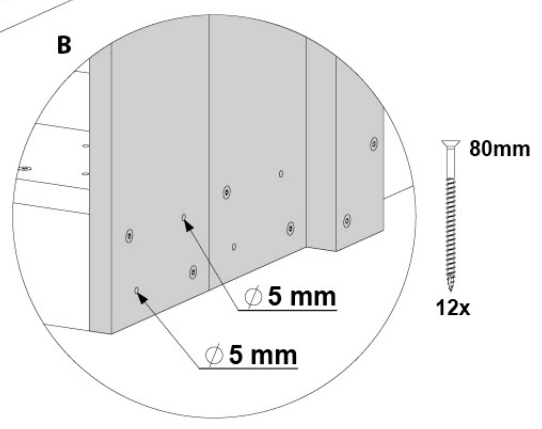
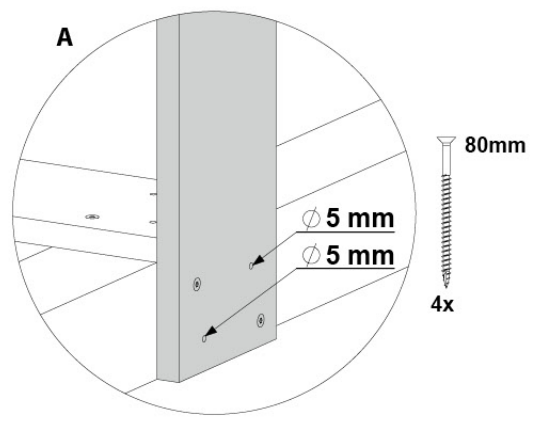
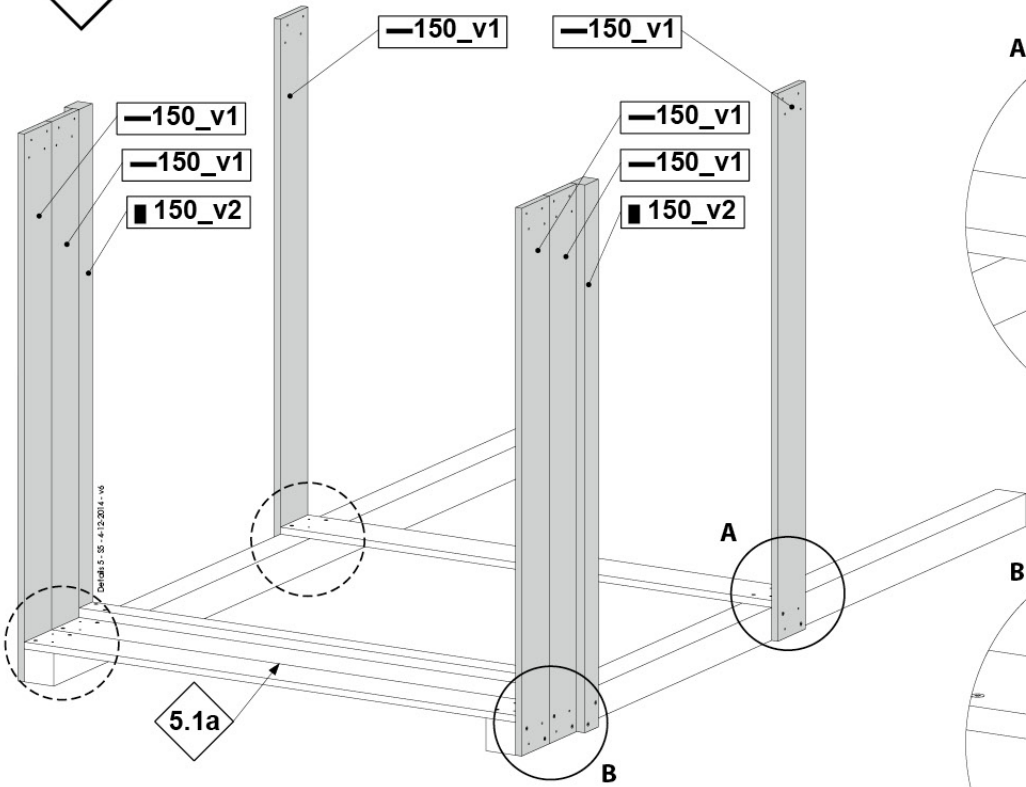


80mm
4x

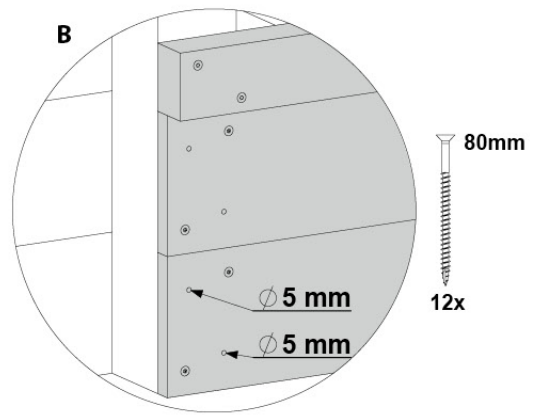
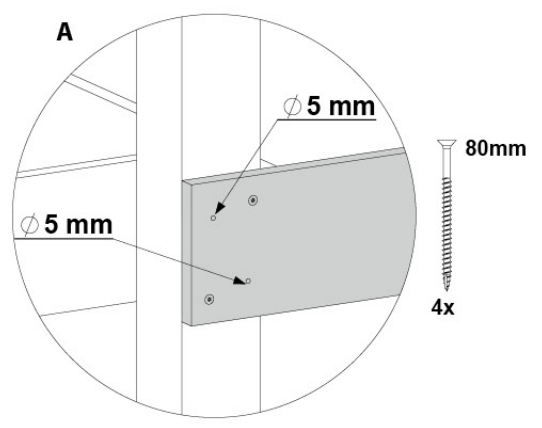
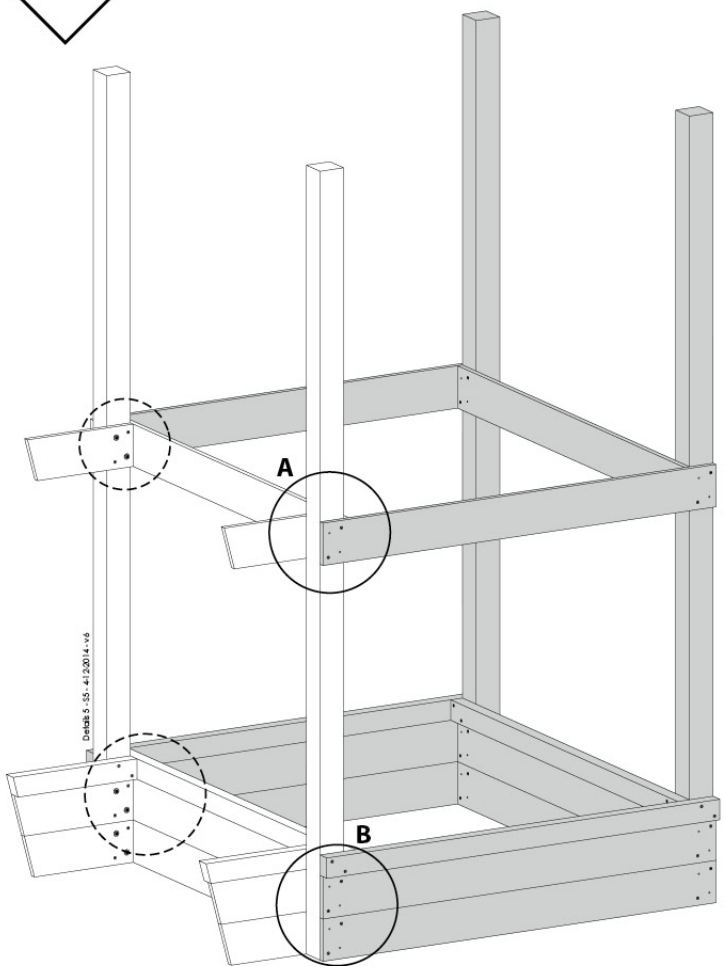


80mm
8x

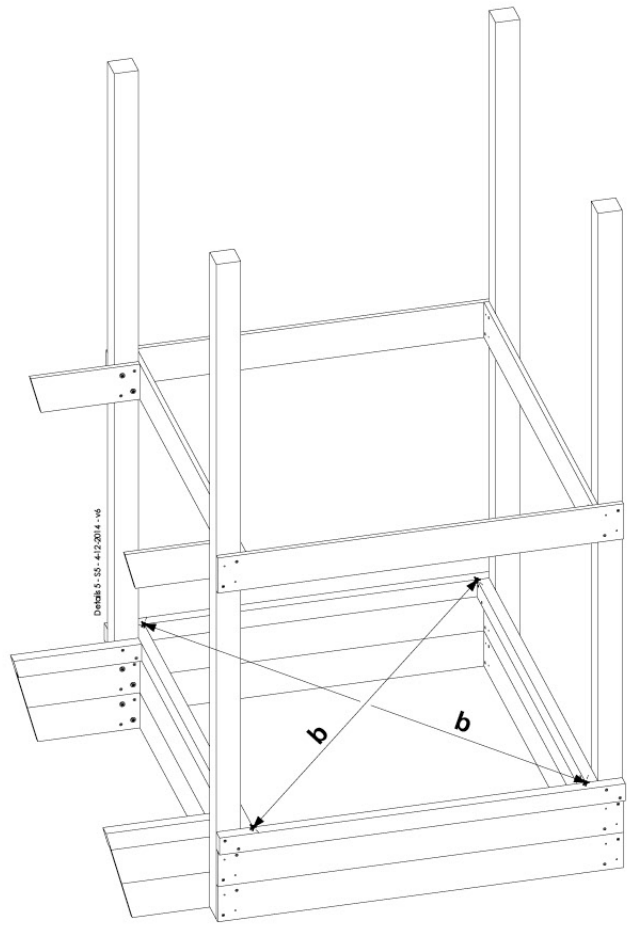
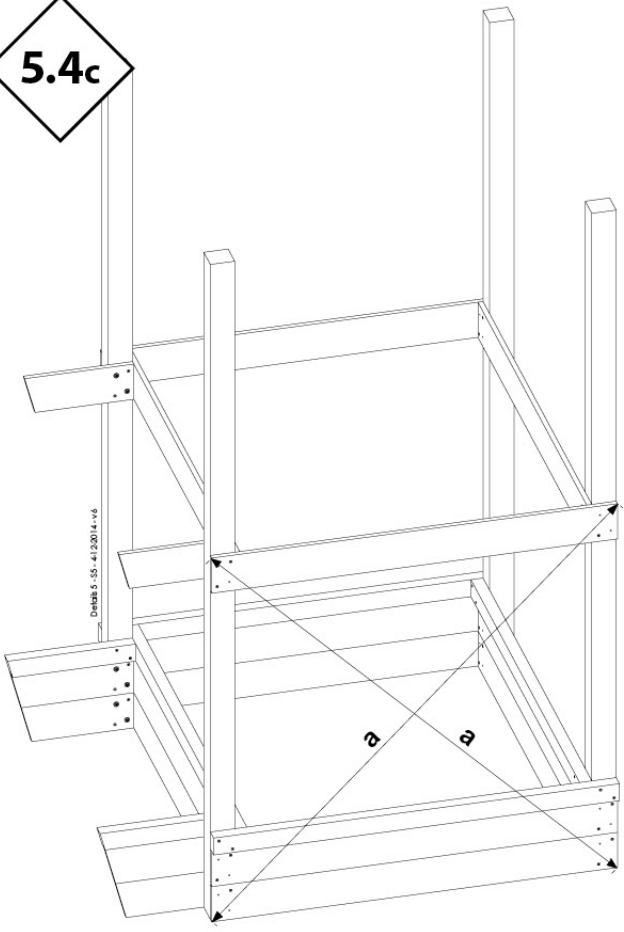
5.4a



5.4b

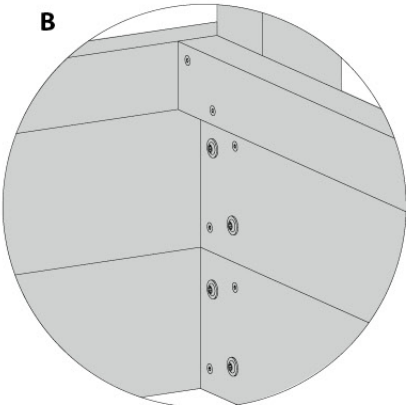
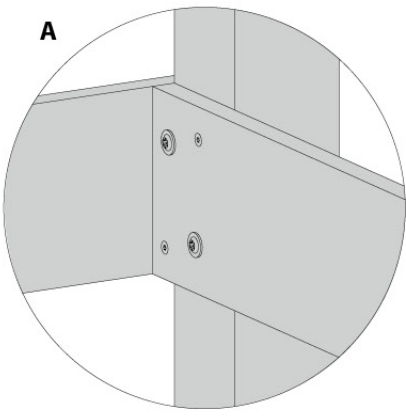
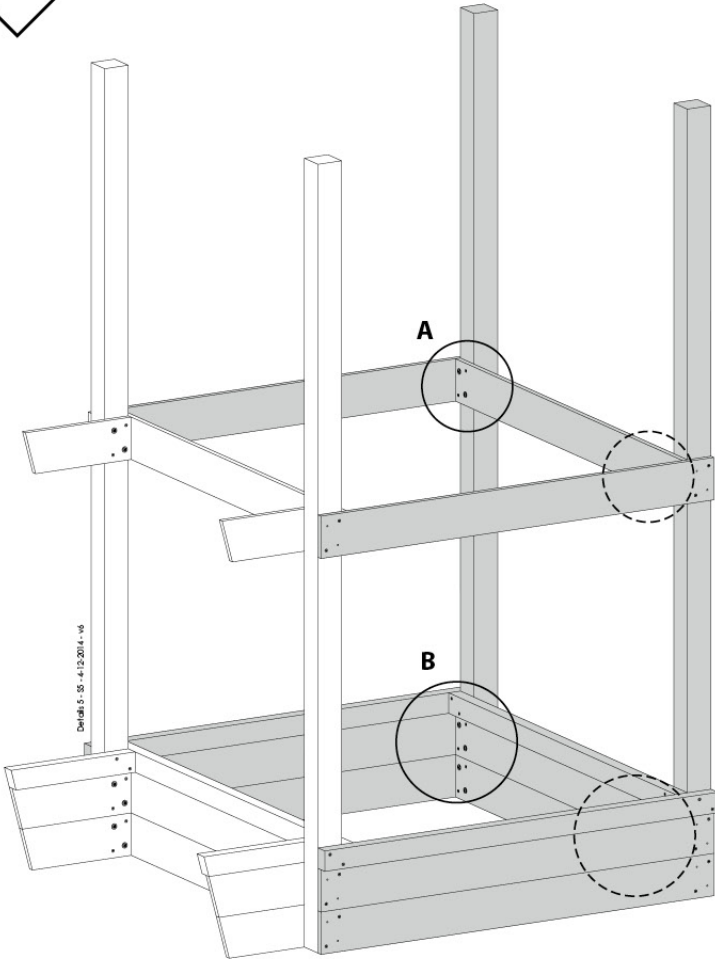


5.4c

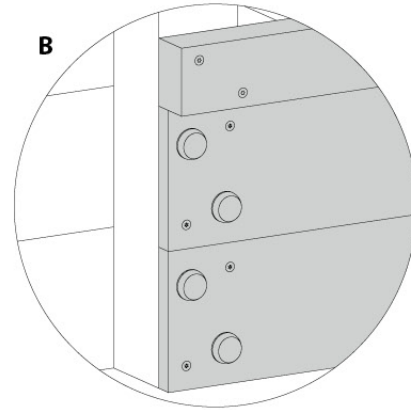
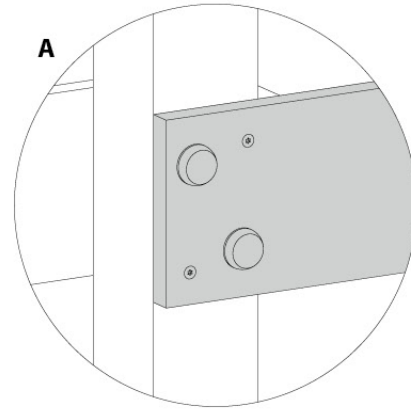
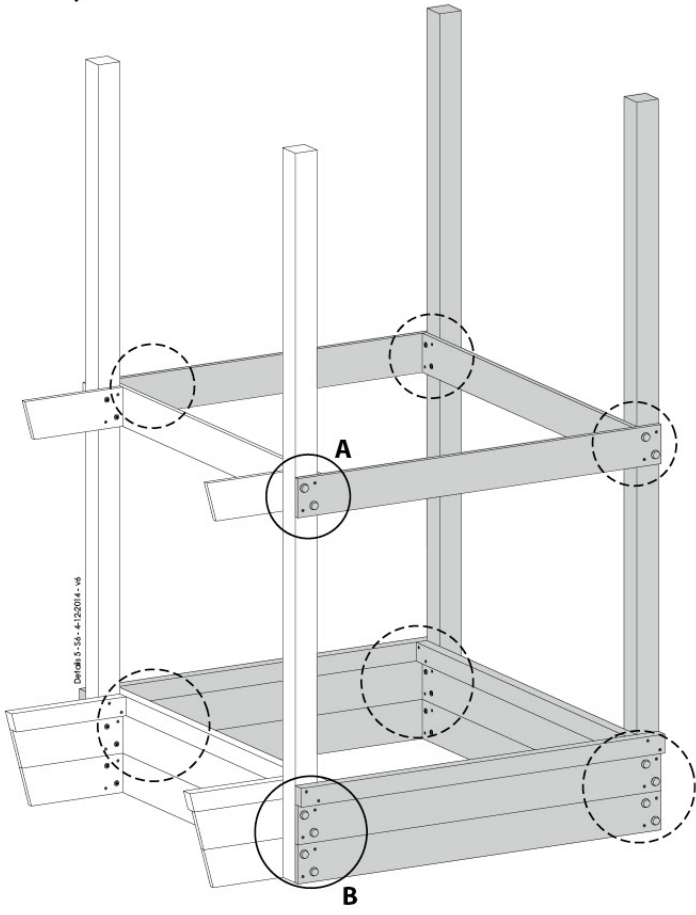


a = a
b = b

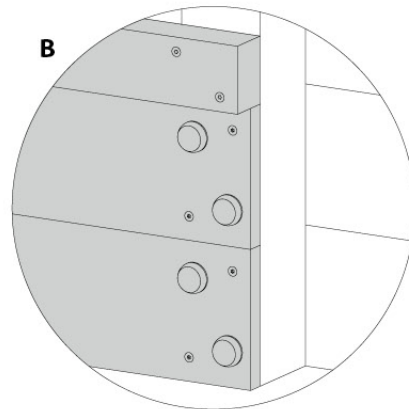
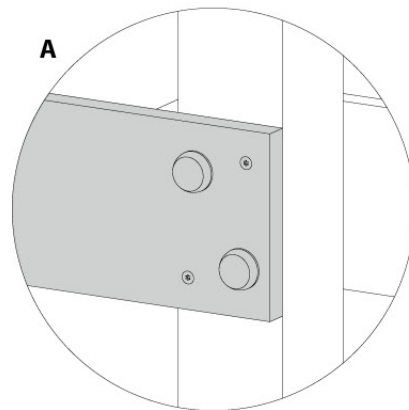
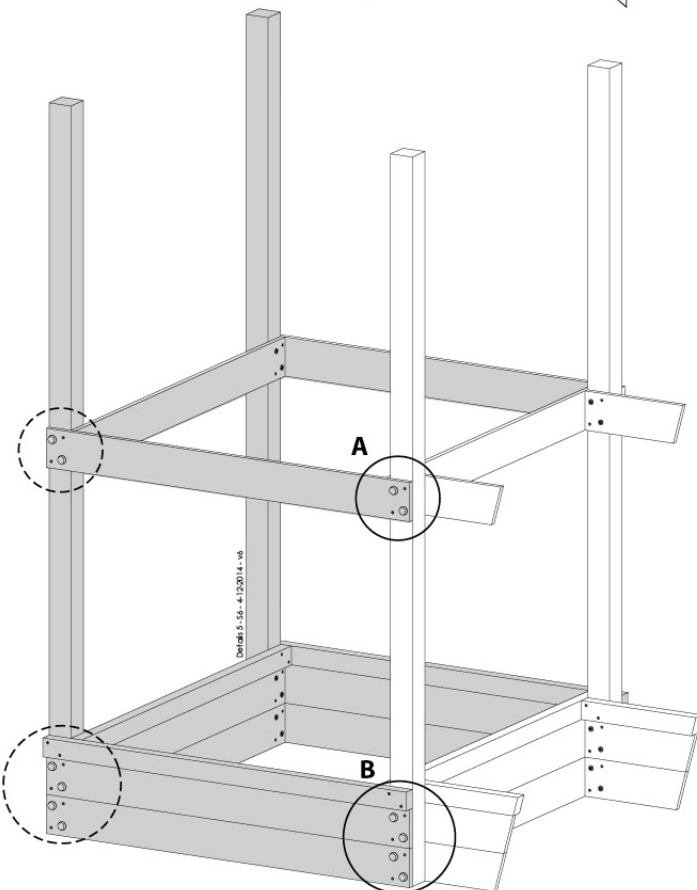
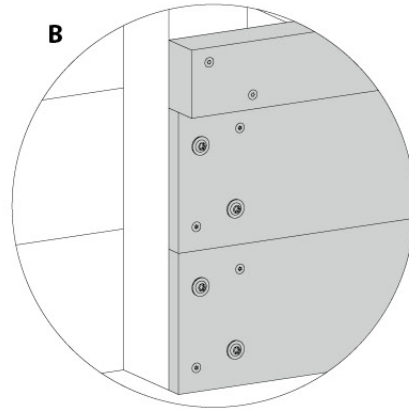
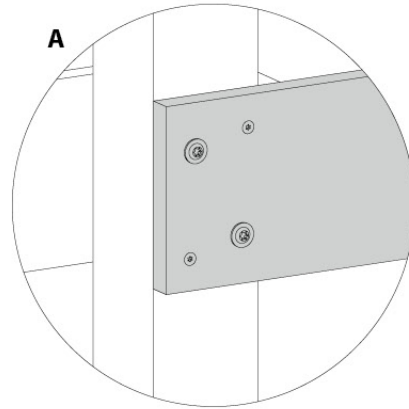
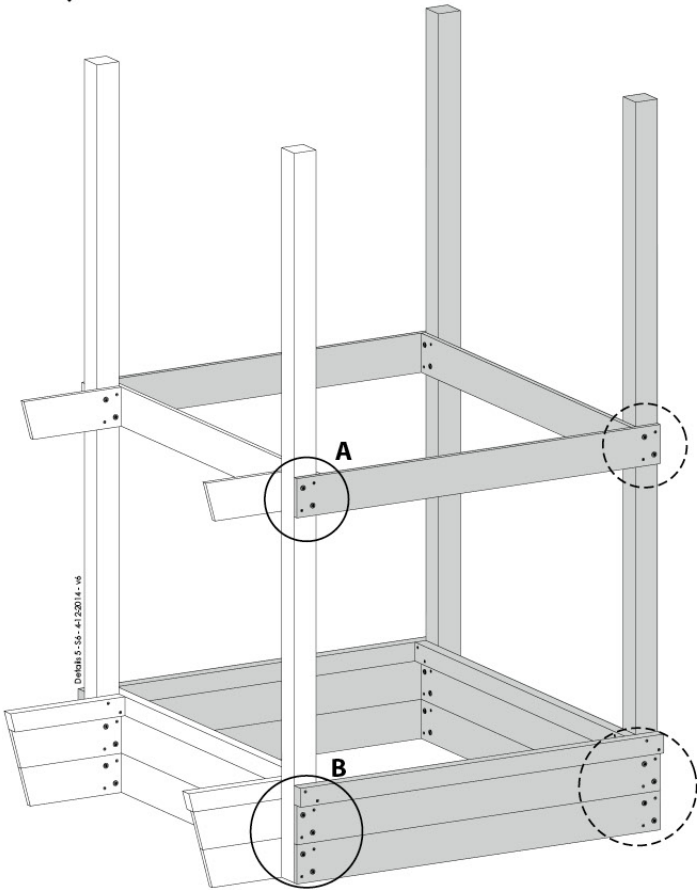
5.4d



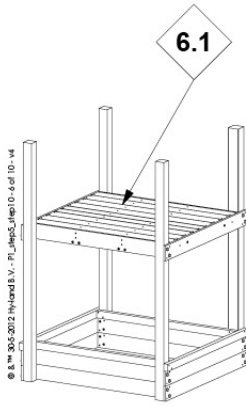
5.5a



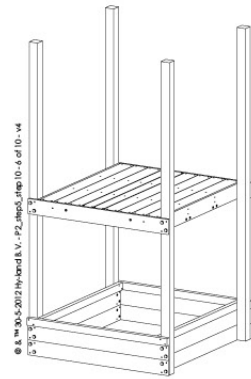
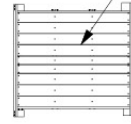
5.5b



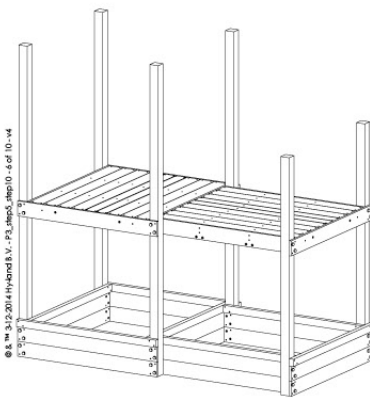
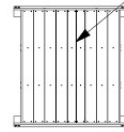
6



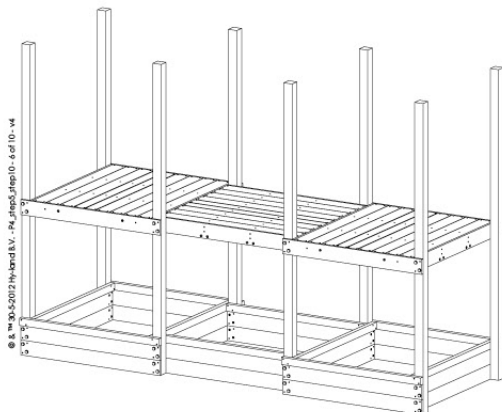
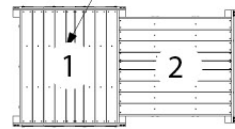
6.1



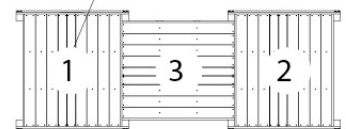
6.1



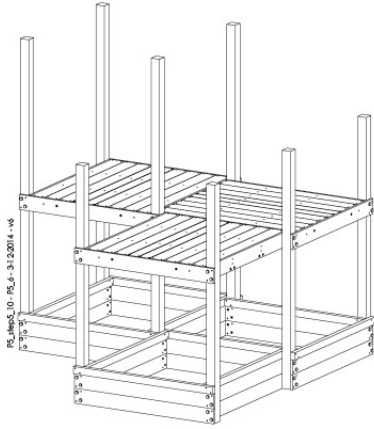
6.1



6.1

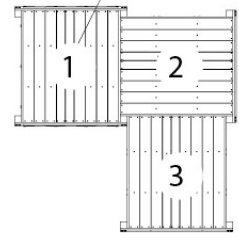


5

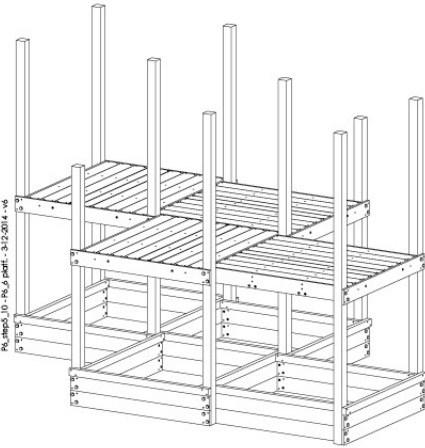


PG_Hand_ID - PG_5 - 31.12.2014 - v6
 15 15 15

6.1

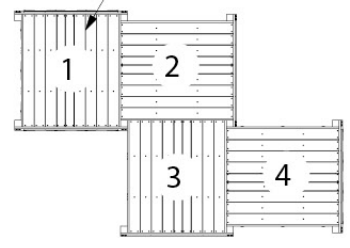


6

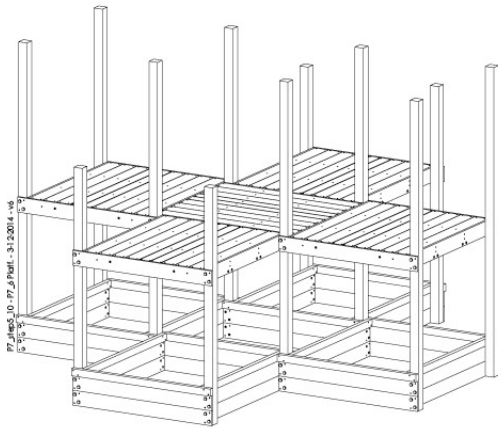


PG_Hand_ID - PG_6 - 31.12.2014 - v6
 15 15 15

6.1

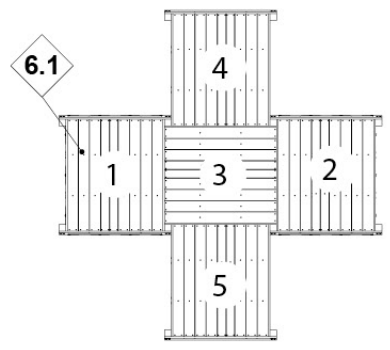


7

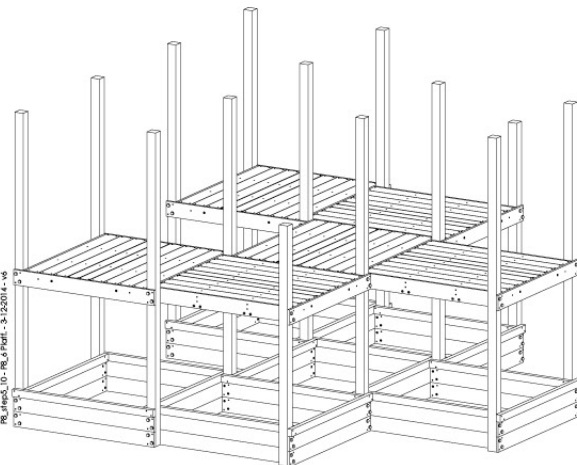


PG_Hand_ID - PG_7 - 31.12.2014 - v6
 15 15 15

6.1

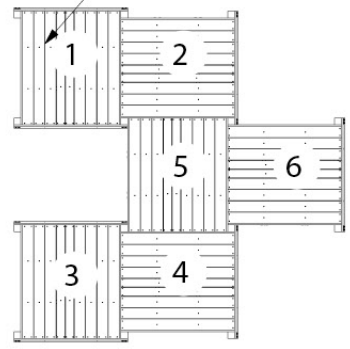


8

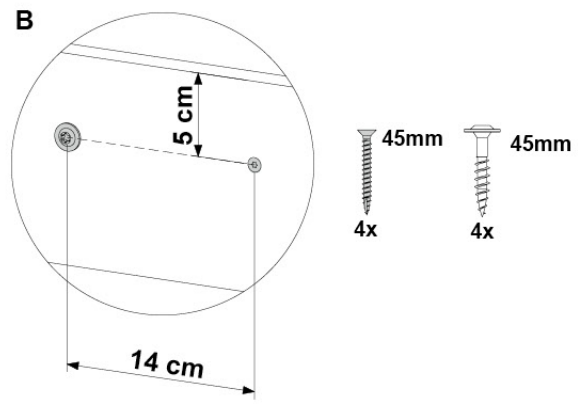
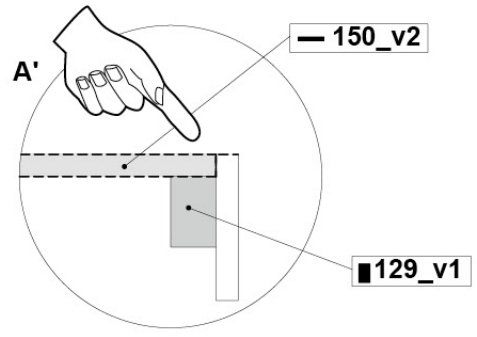
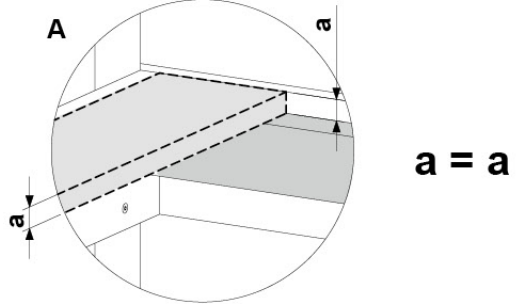
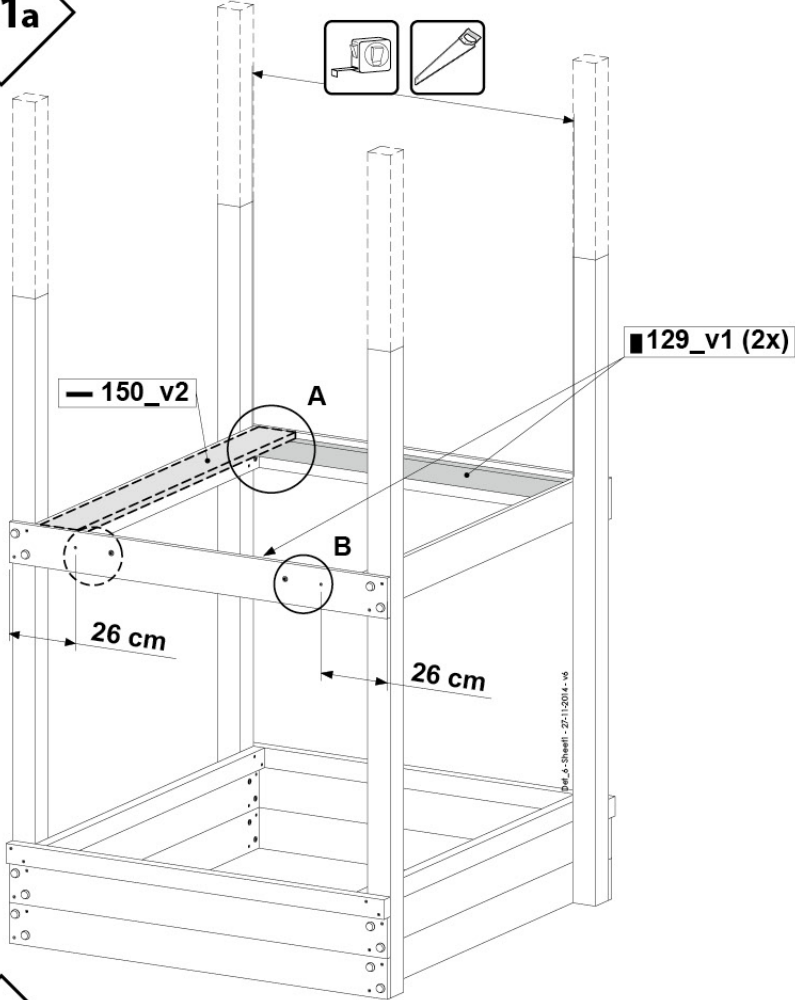


PG_Hand_ID - PG_8 - 31.12.2014 - v6
 15 15 15

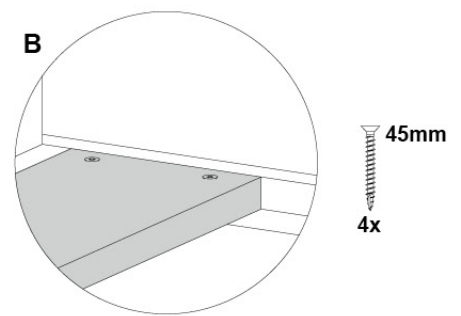
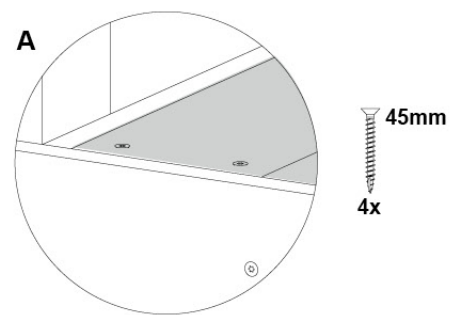
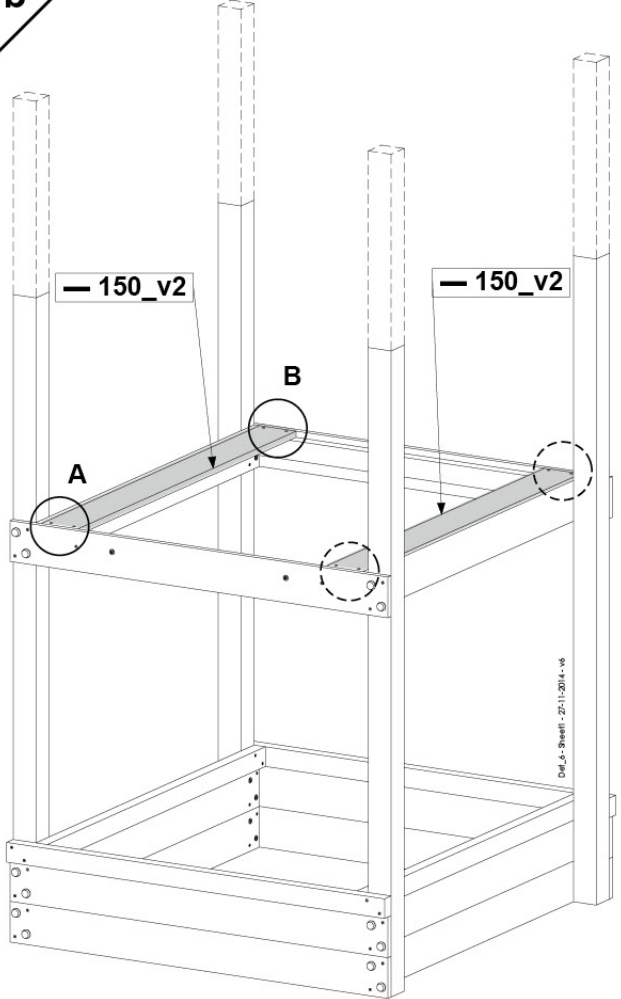
6.1



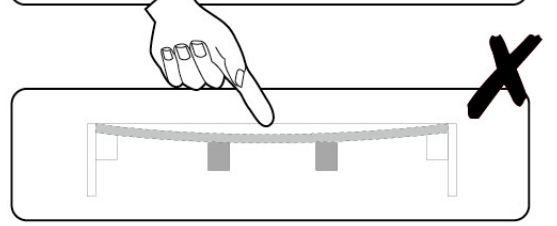
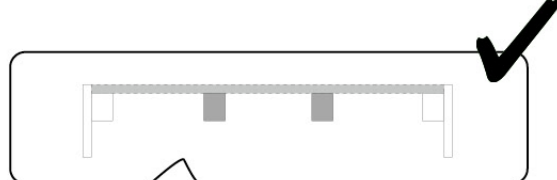
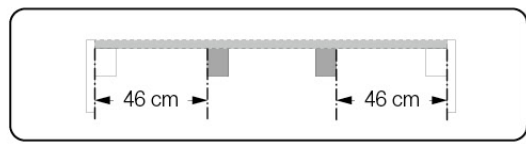
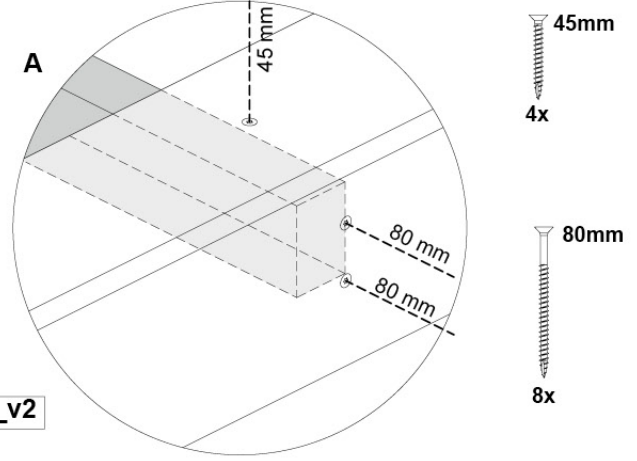
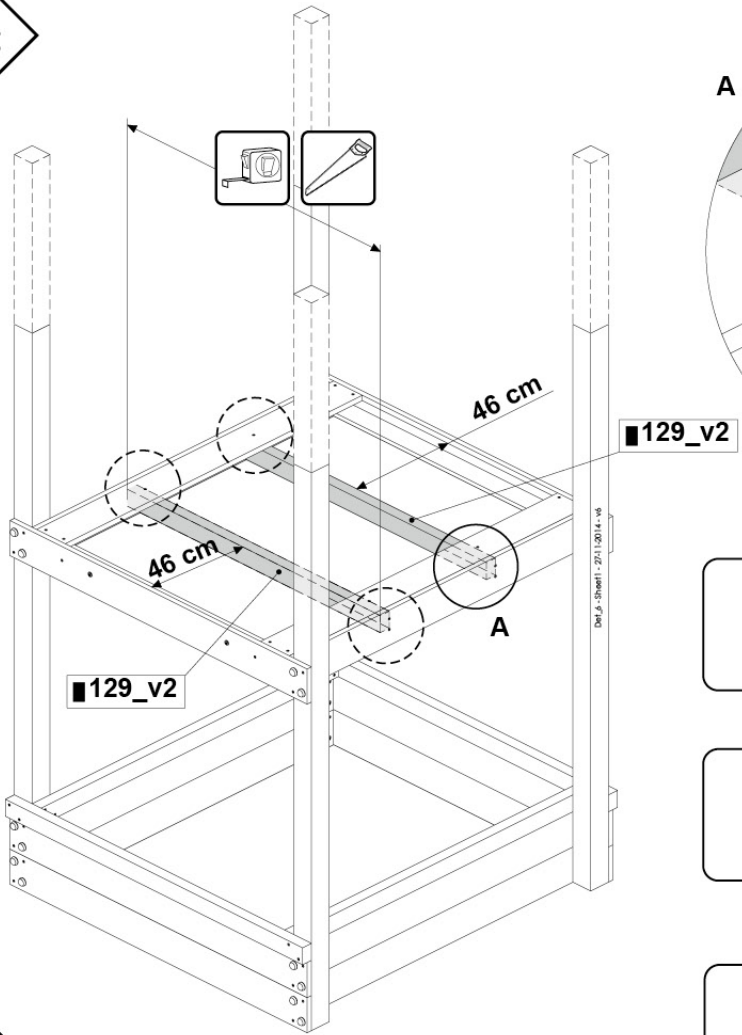
6.1a



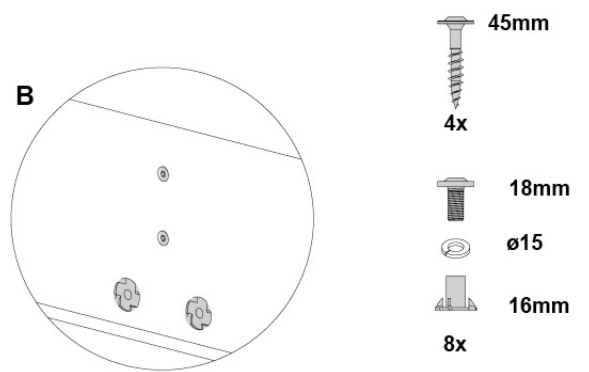
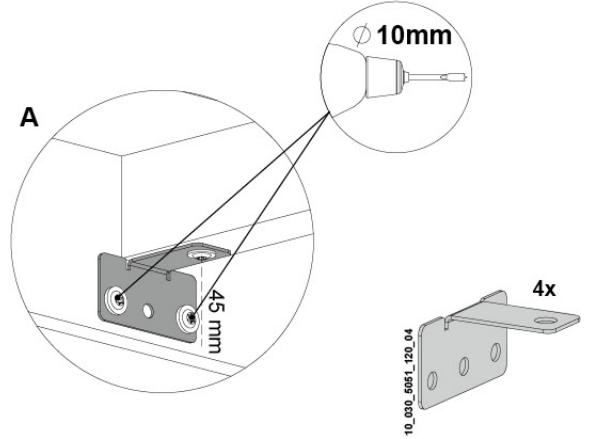
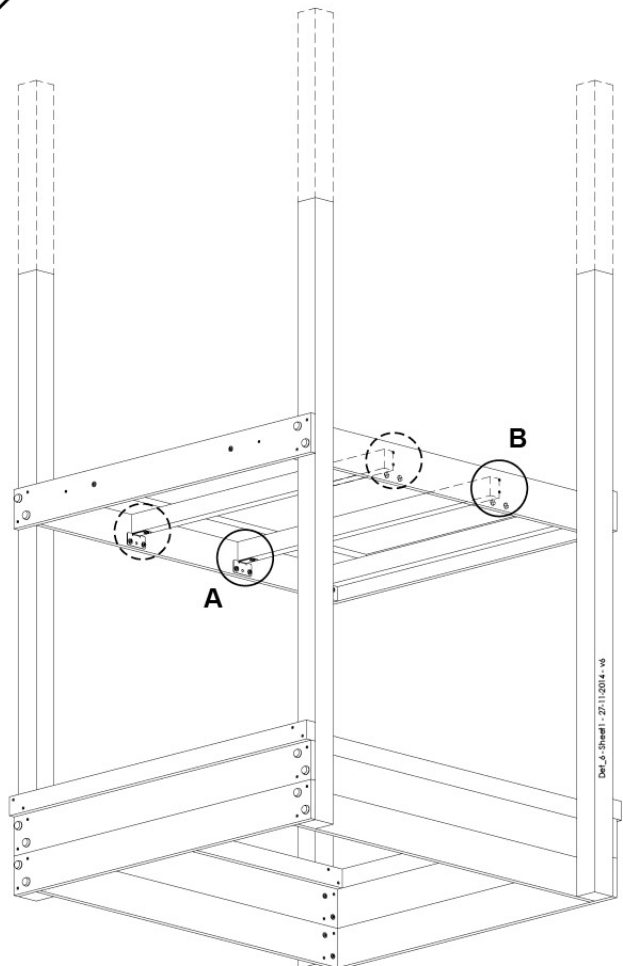
6.1b



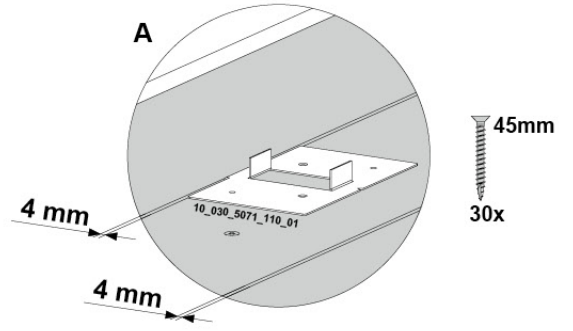
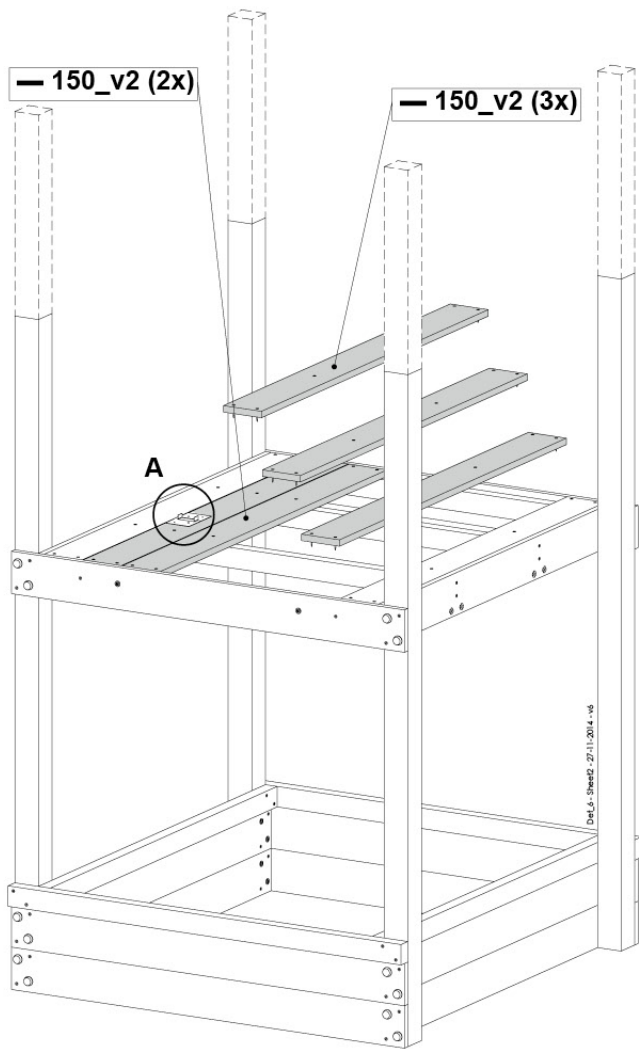
6.1c



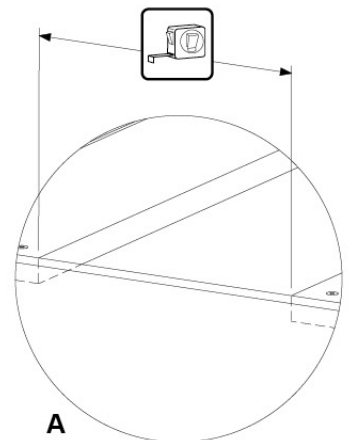
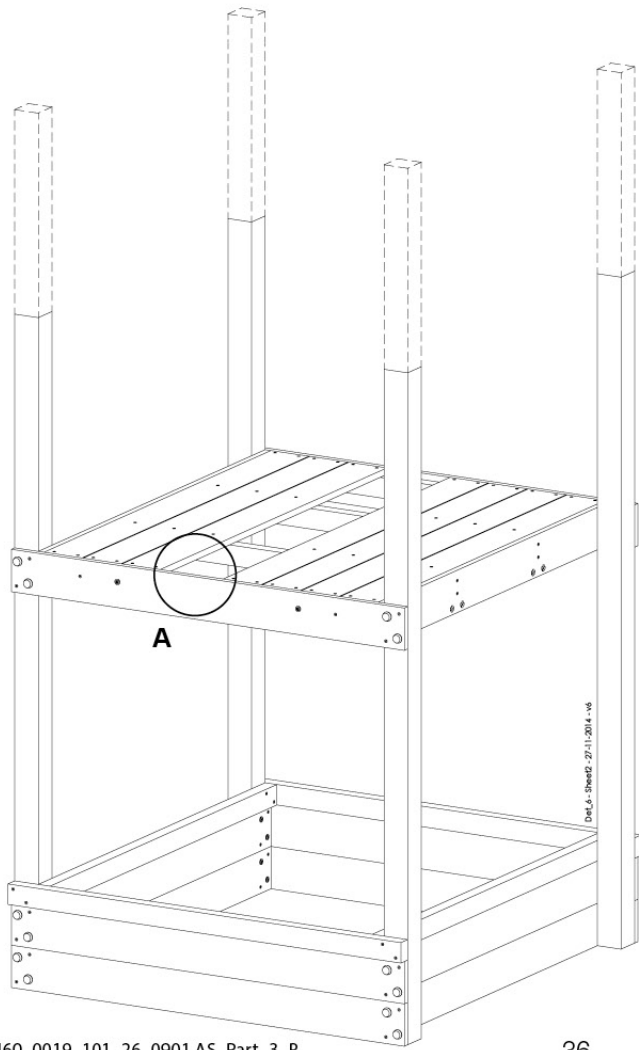
6.1d



6.1e

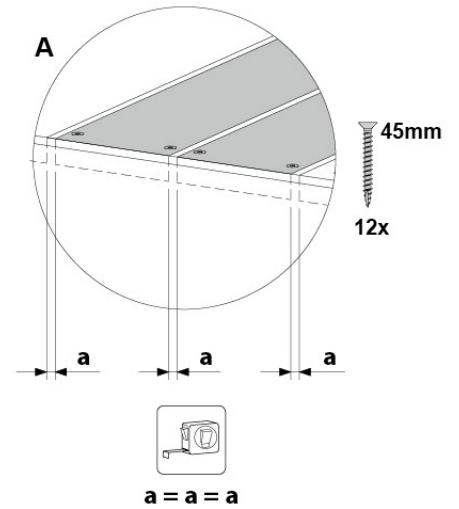
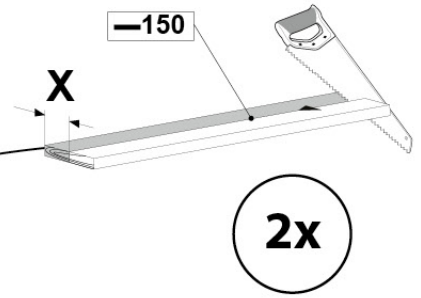
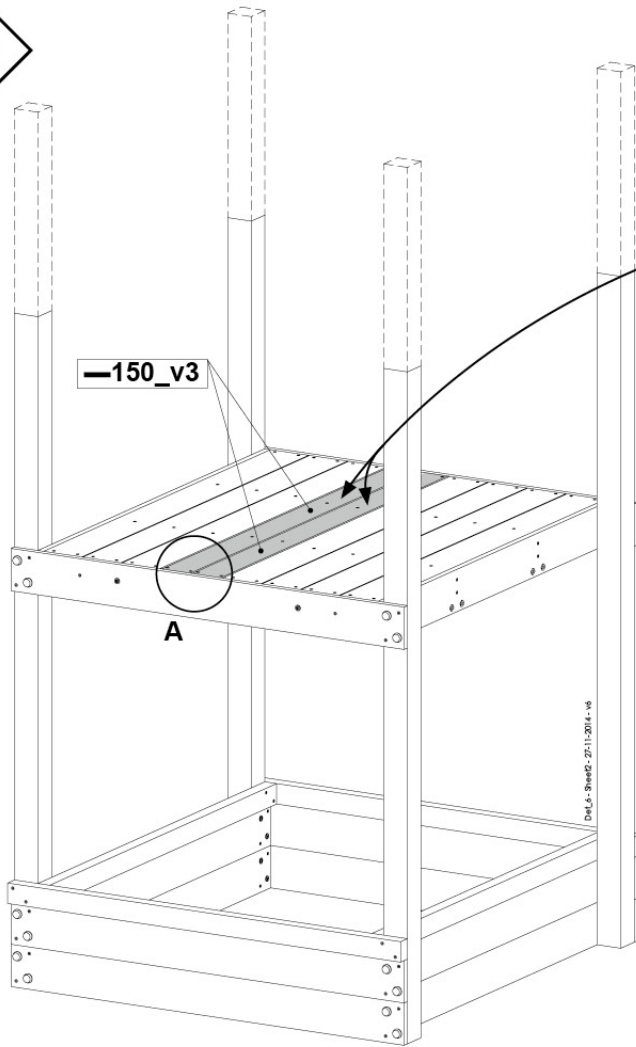


6.1f

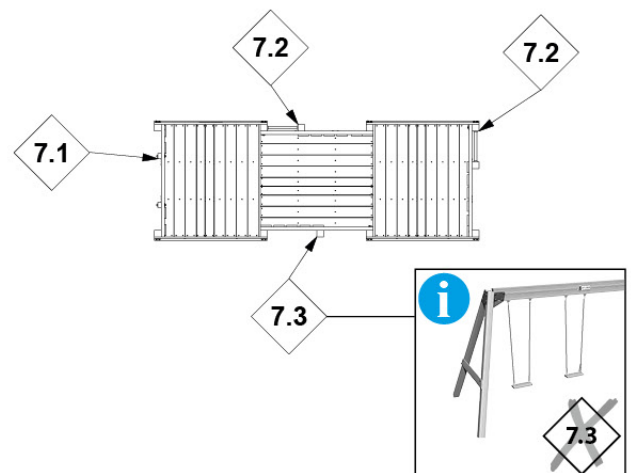
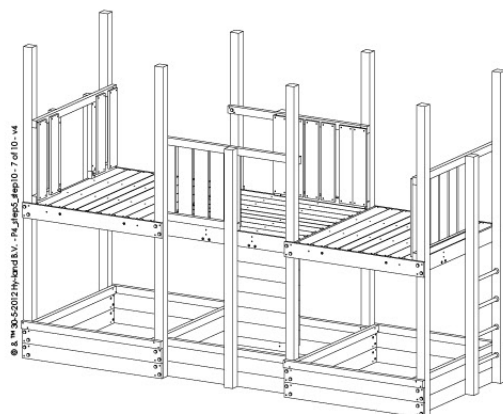
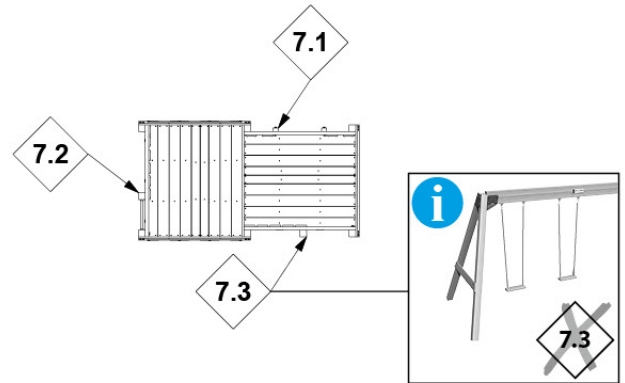
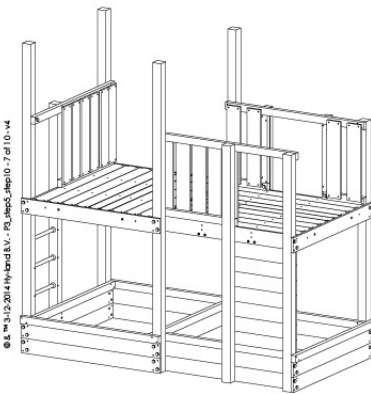
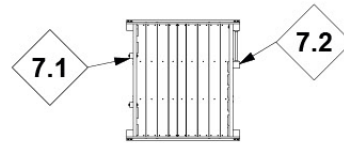
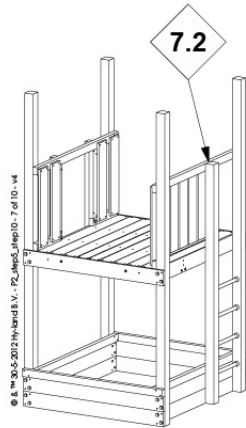
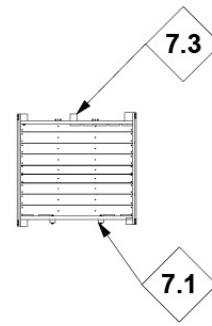
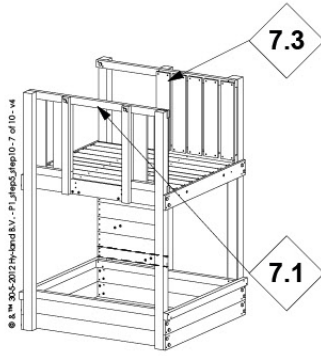


$$\frac{\text{[Icon]} - 1,2 \text{ cm}}{2} = X$$

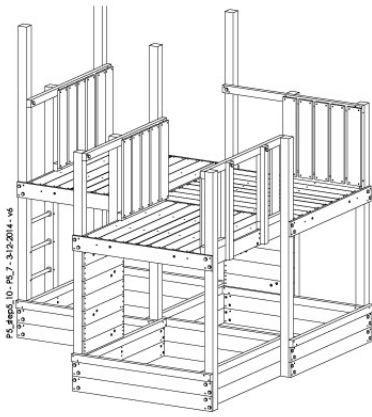
6.1g



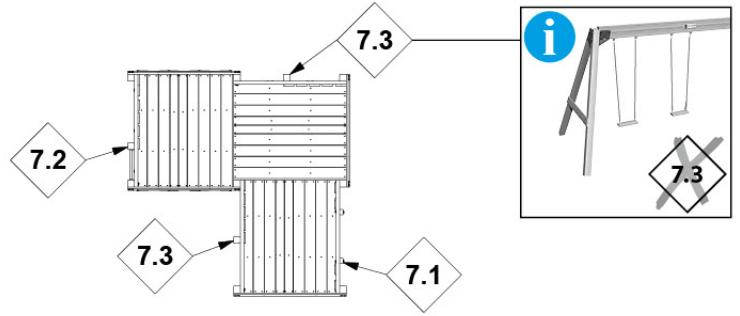
7



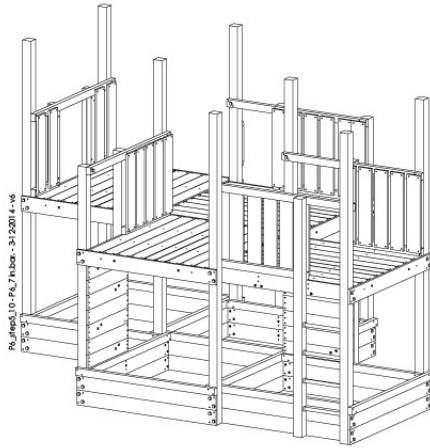
5



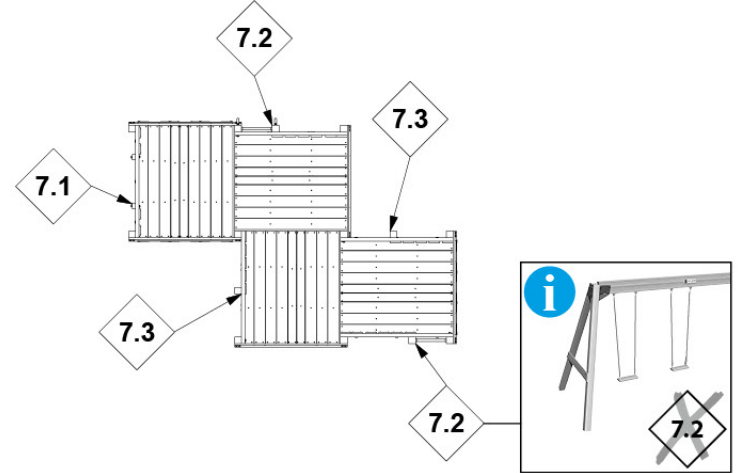
PL_Step5_10_PU7_3122014-v6
0-10-15



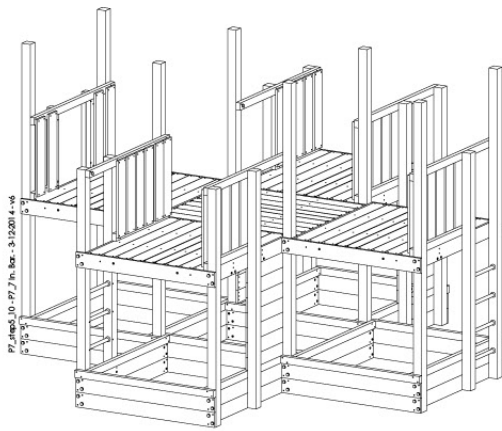
6



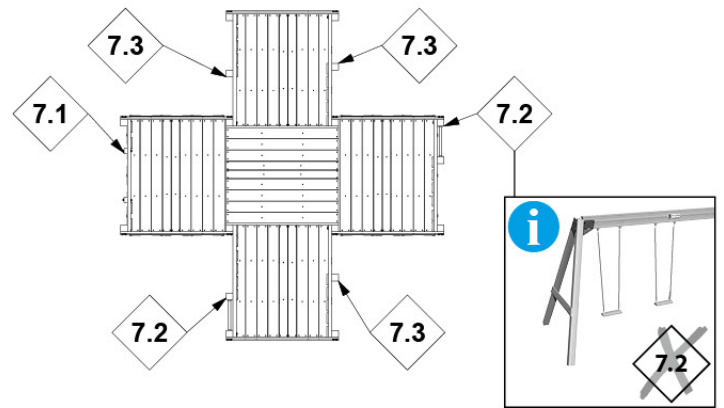
PL_Step6_10_PU7bar_3122014-v6
0-10-15



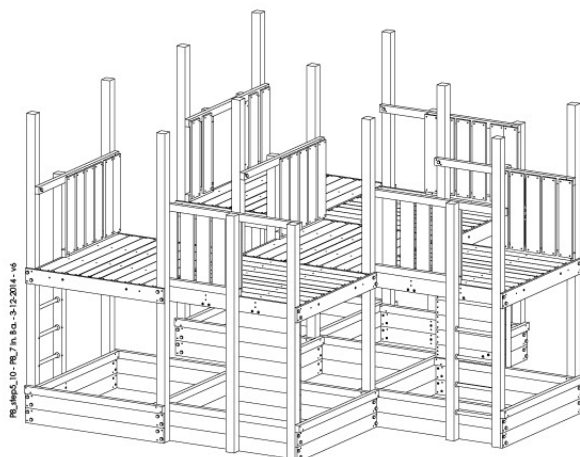
7



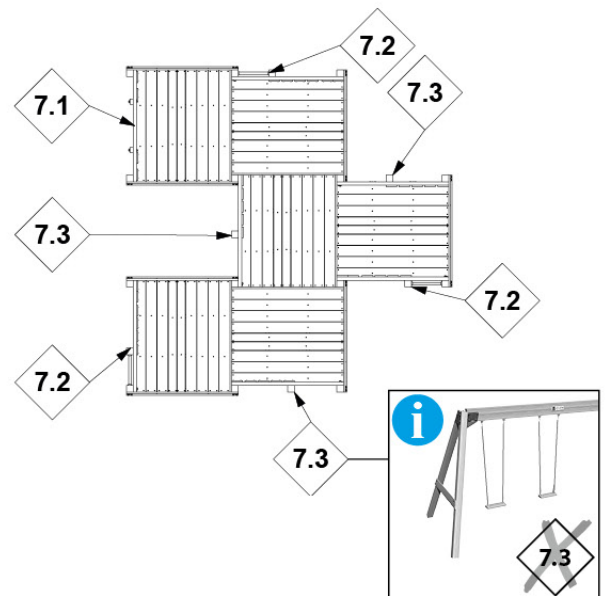
PL_Step7_10_PU7bar_3122014-v6
0-10-15



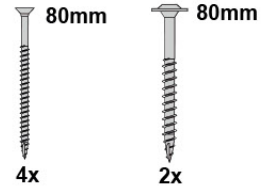
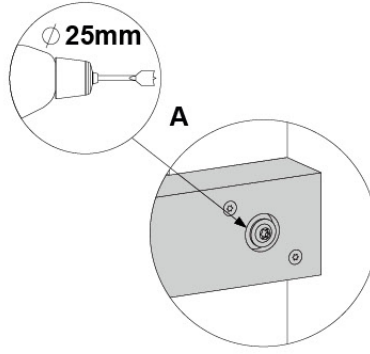
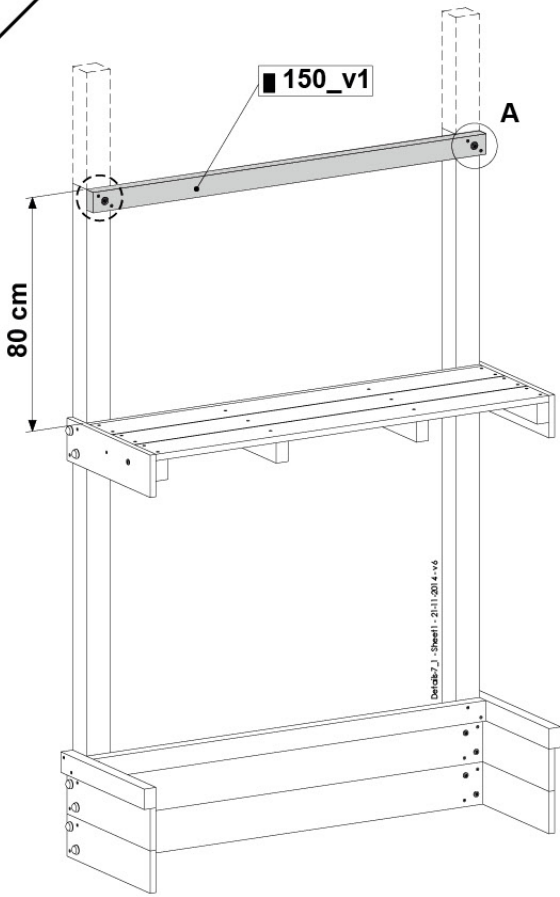
8



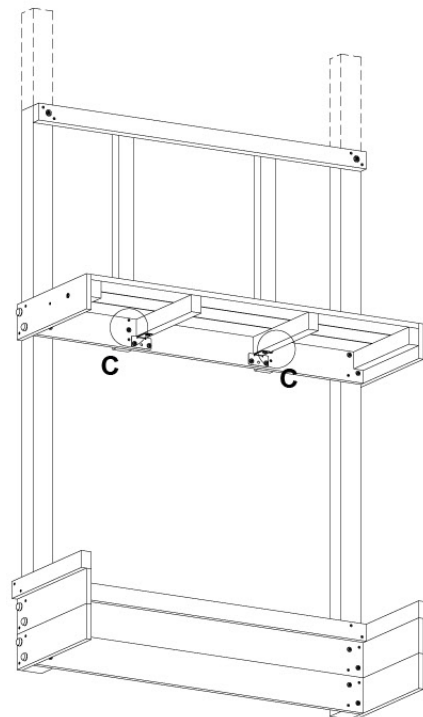
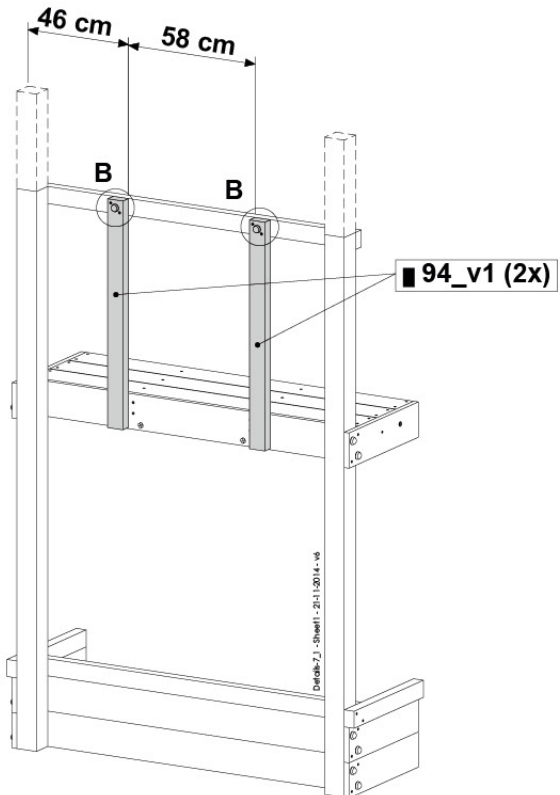
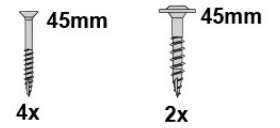
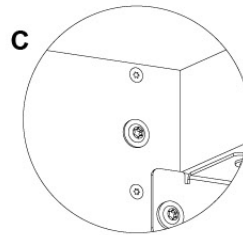
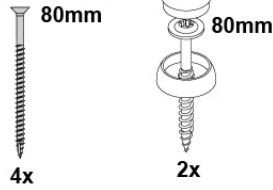
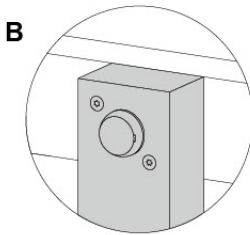
PL_Step8_10_PU7bar_3122014-v6
0-10-15



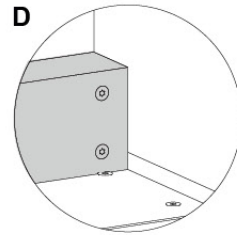
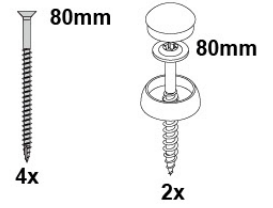
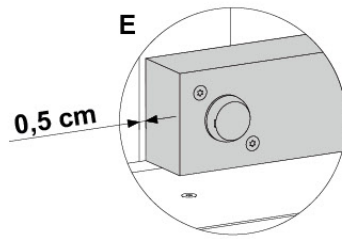
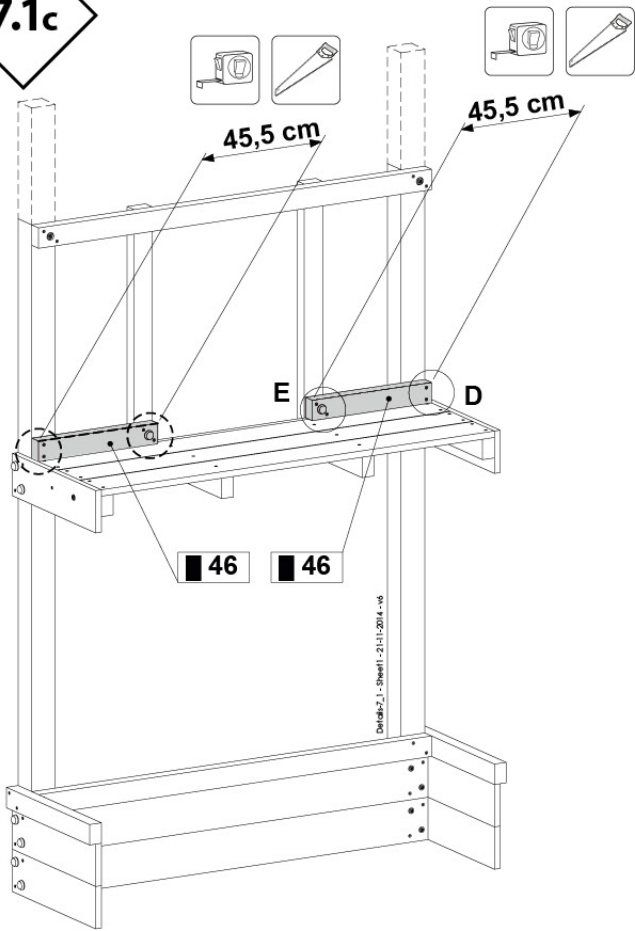
7.1a



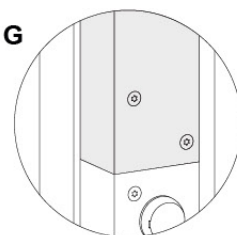
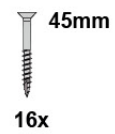
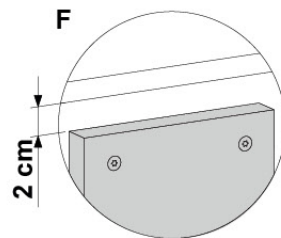
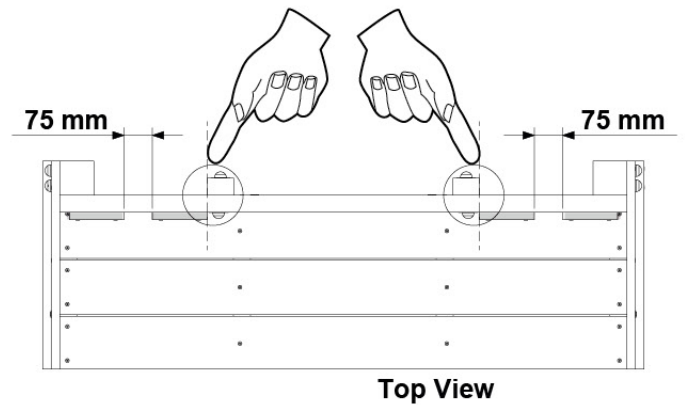
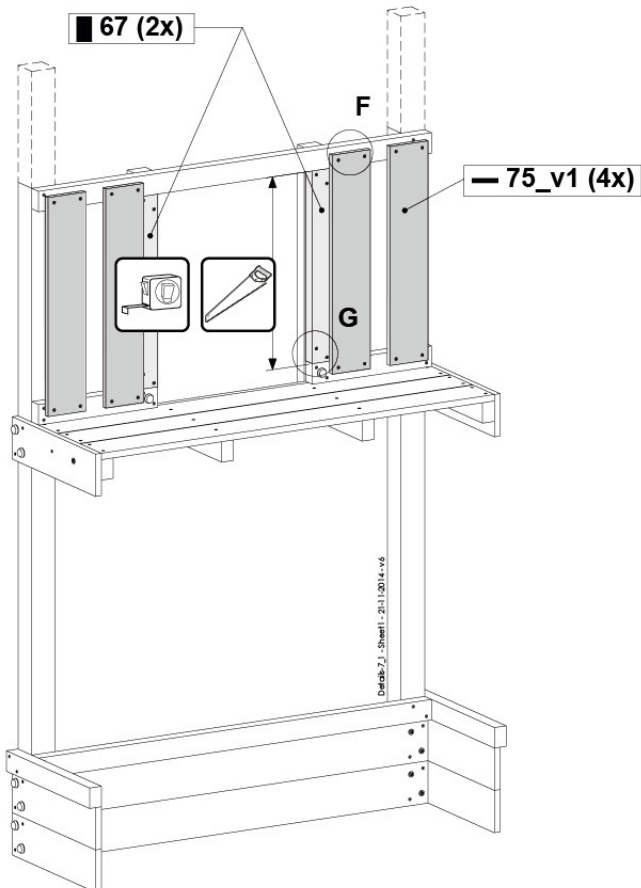
7.1b



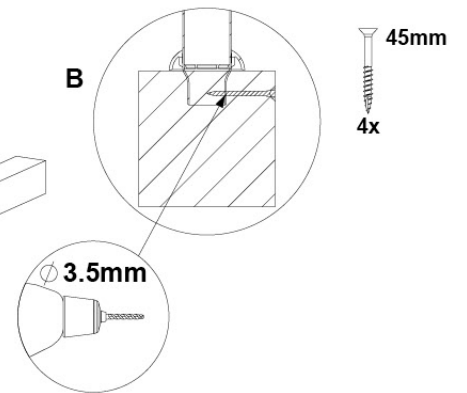
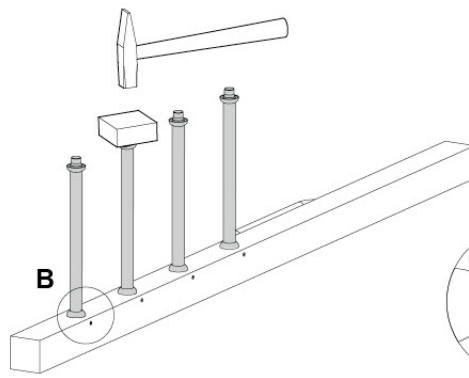
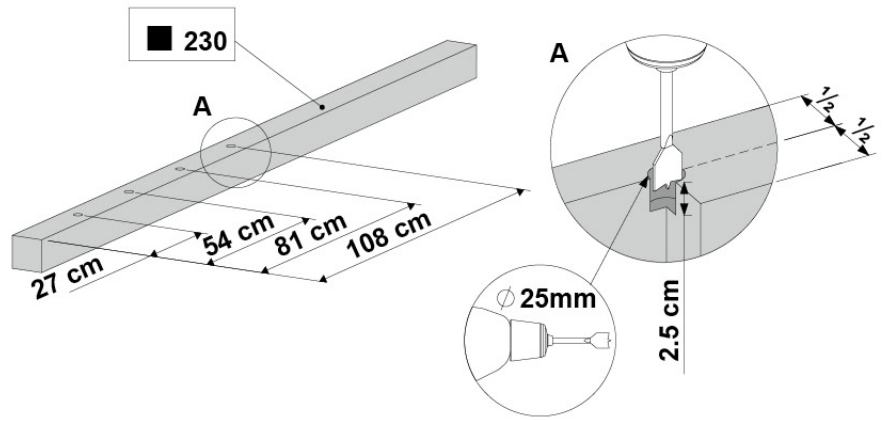
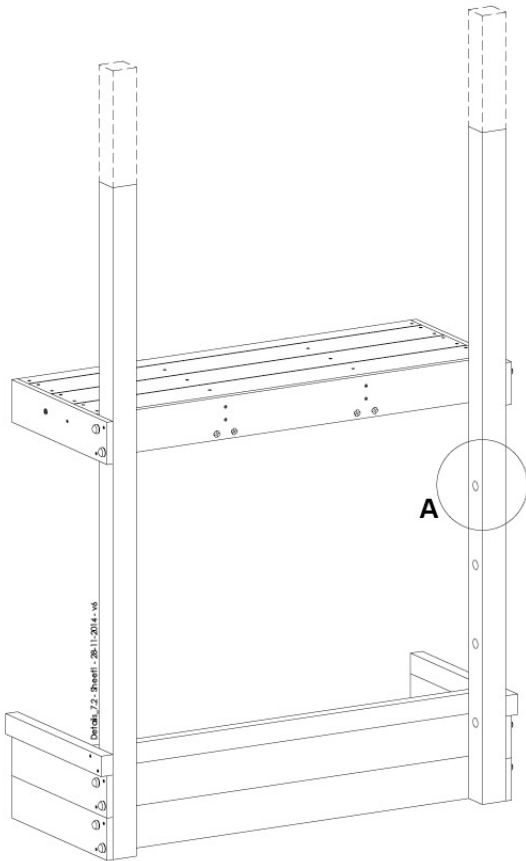
7.1c



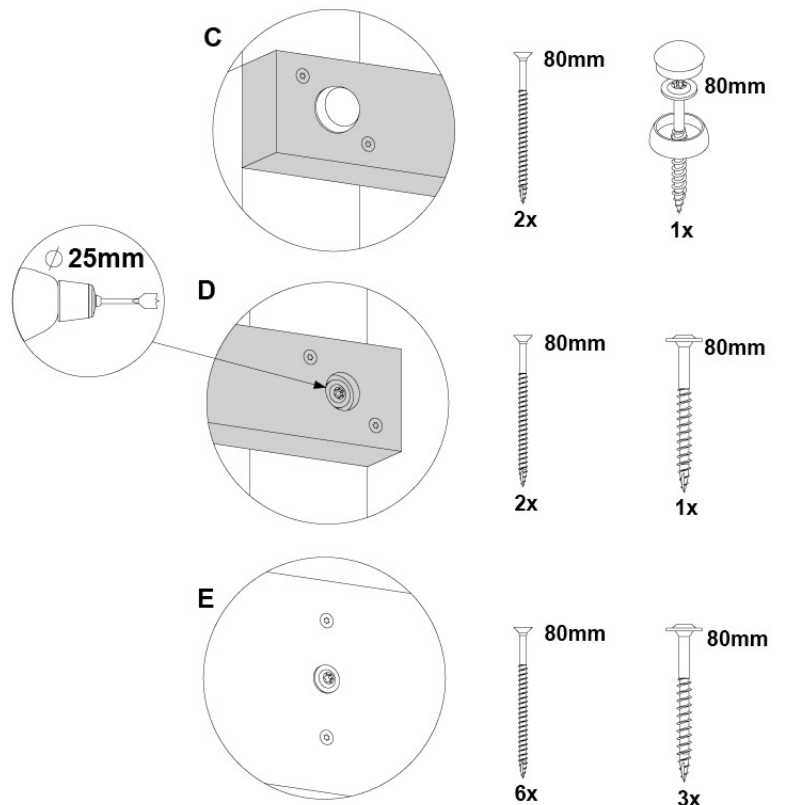
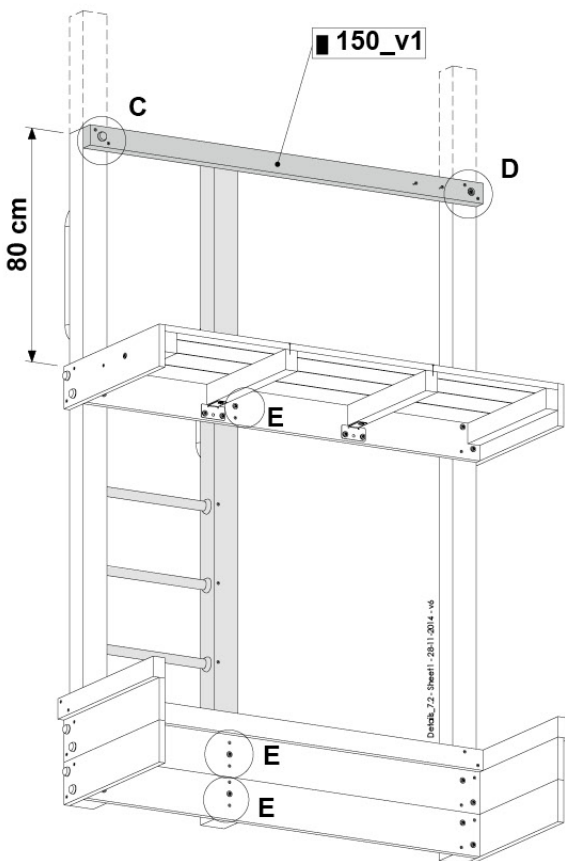
7.1d



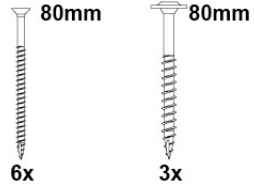
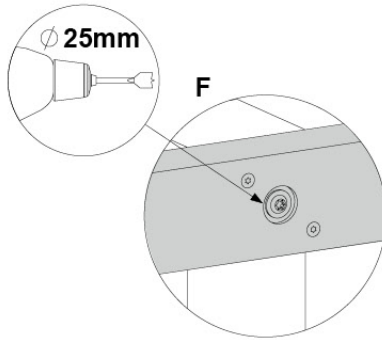
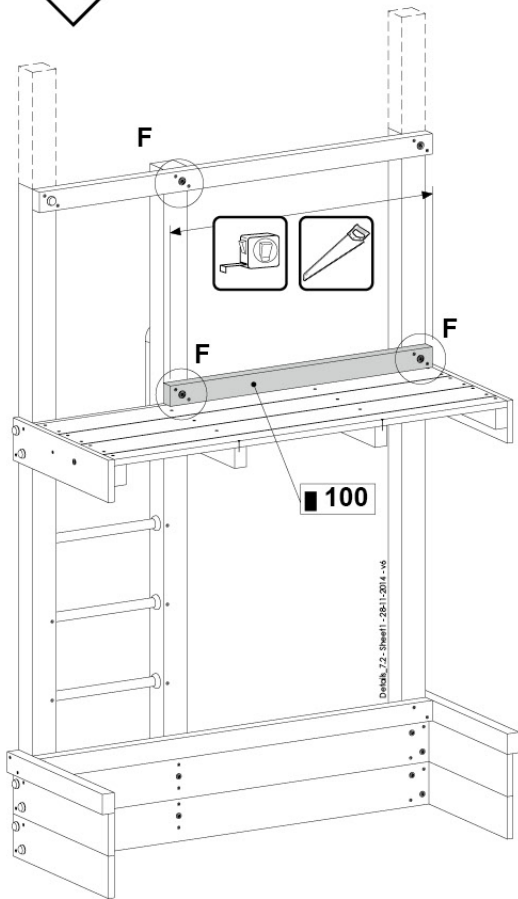
7.2a



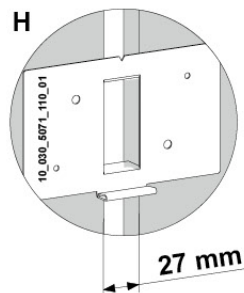
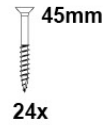
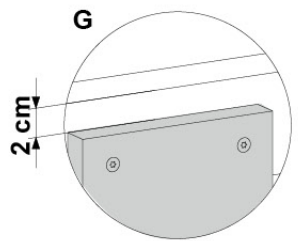
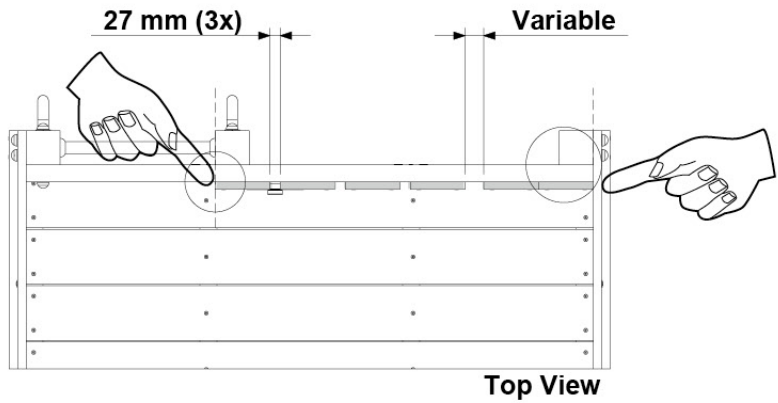
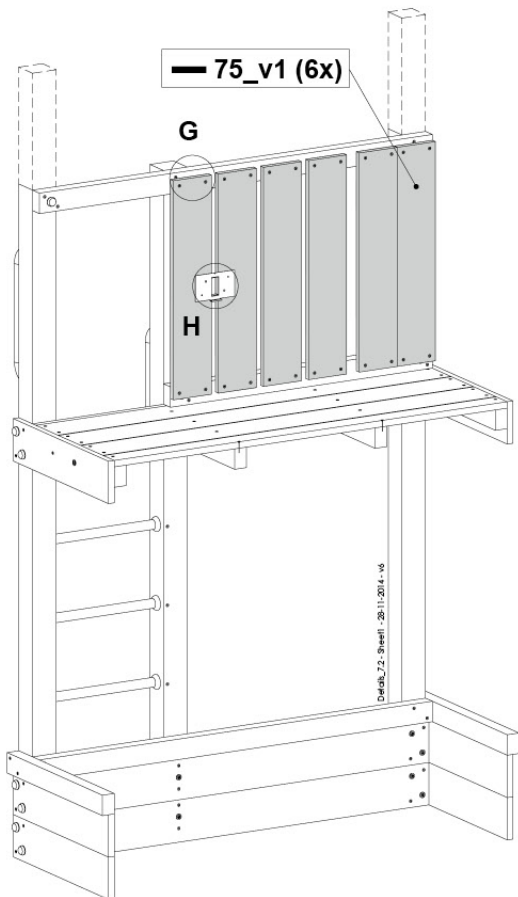
7.2b



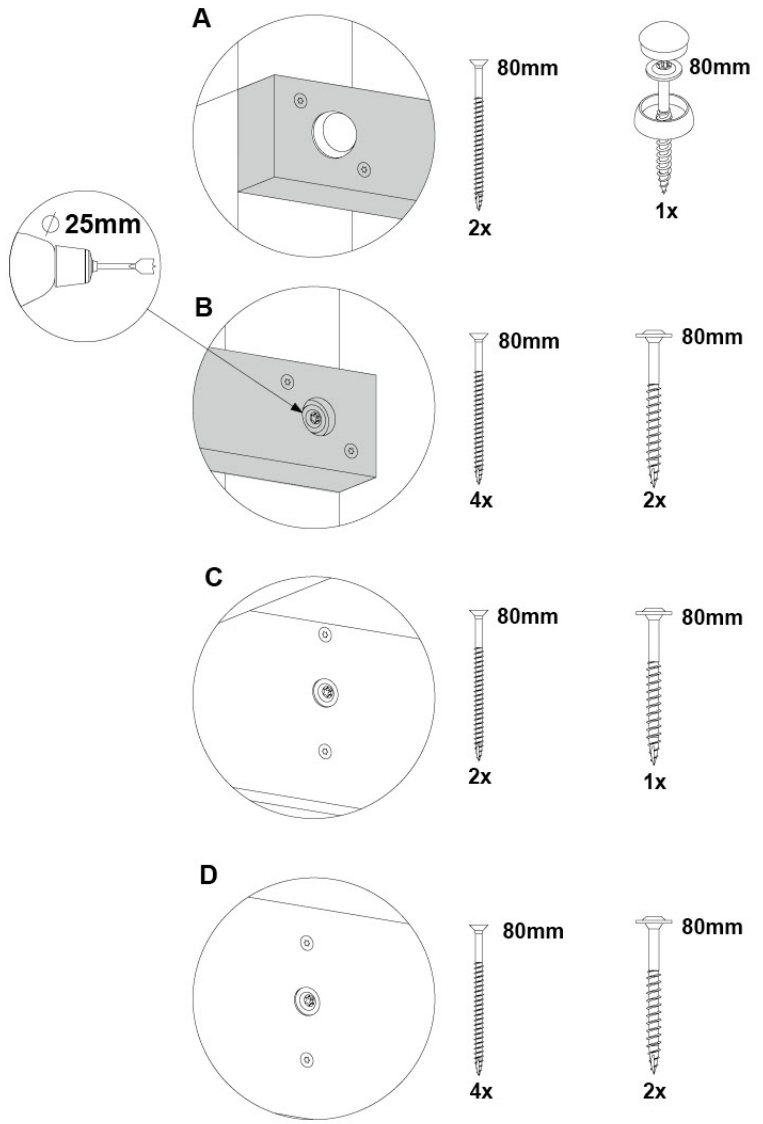
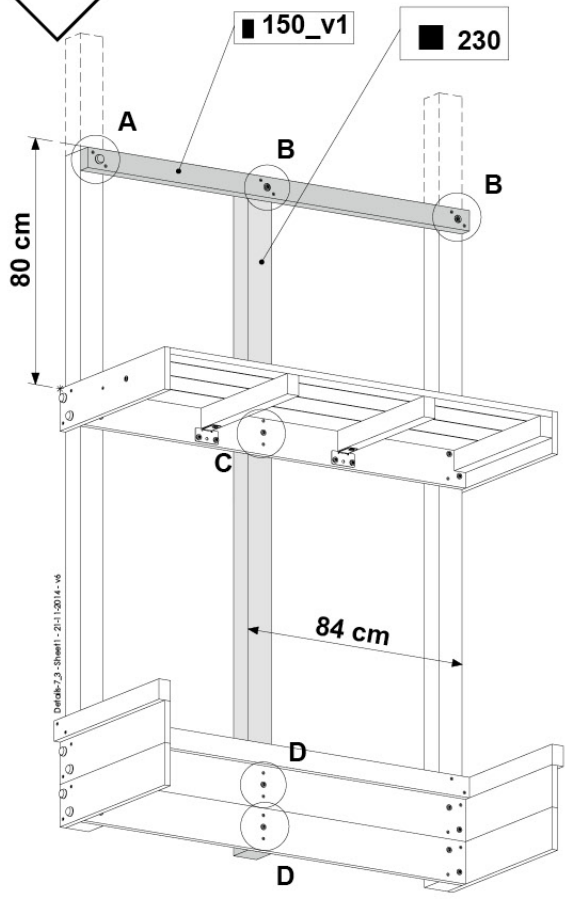
7.2c



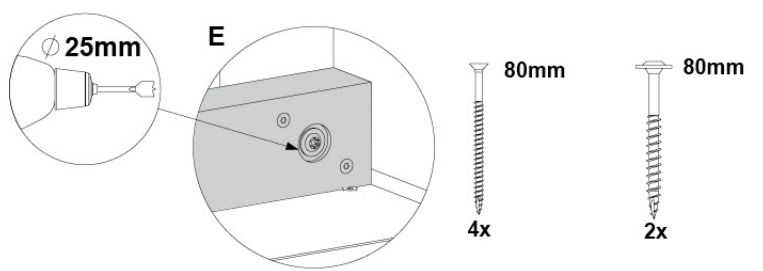
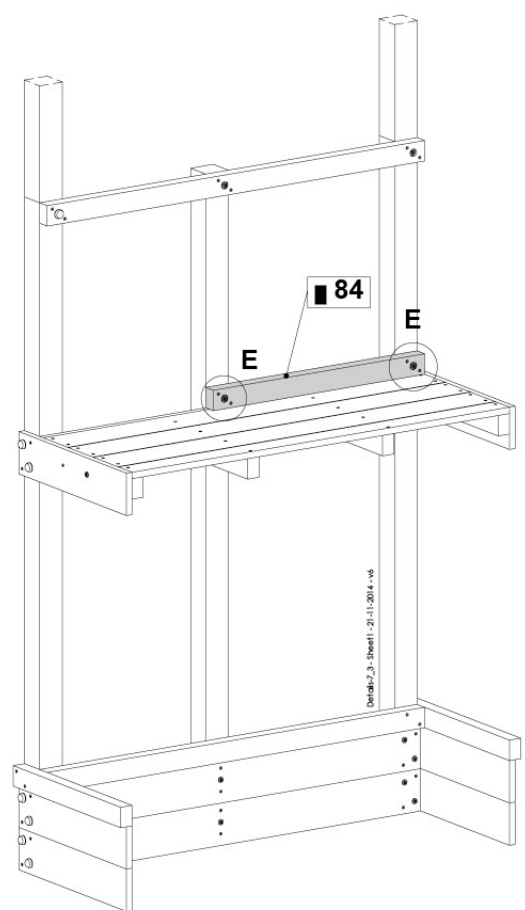
7.2d



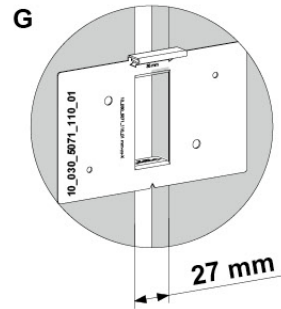
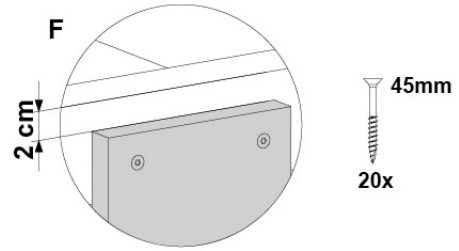
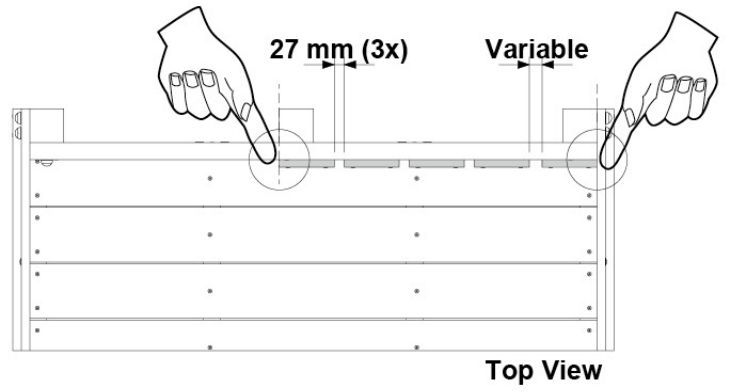
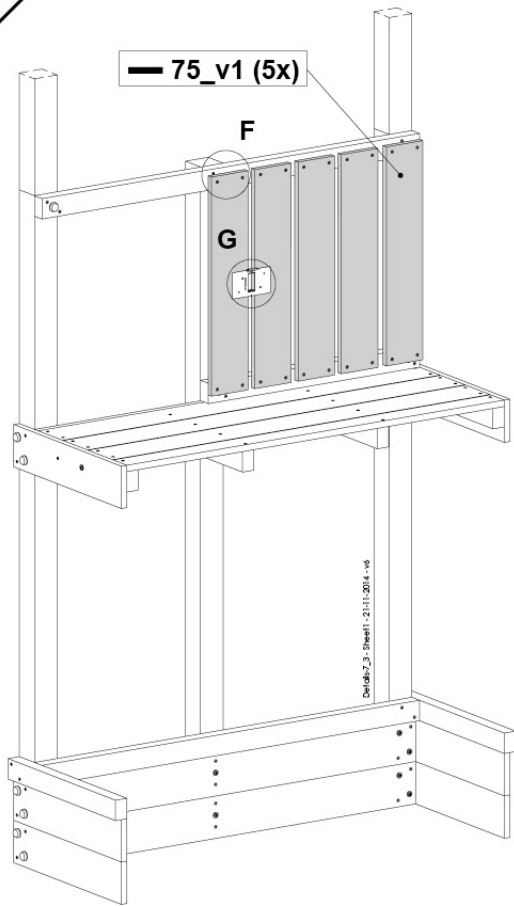
7.3a



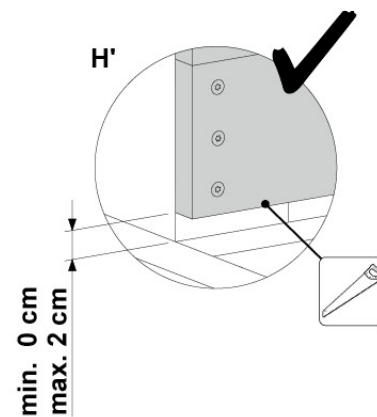
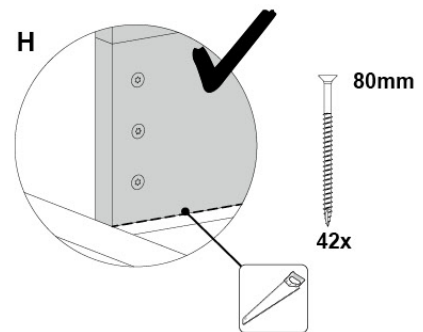
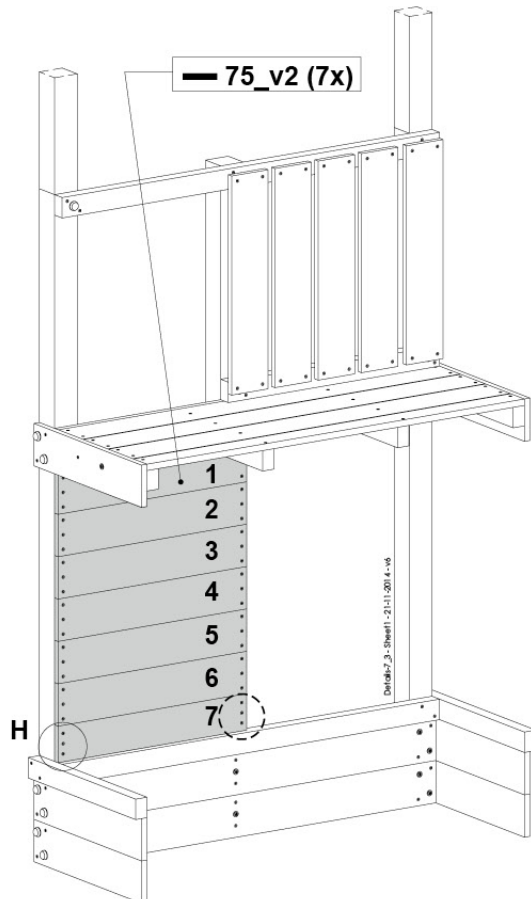
7.3b



7.3c

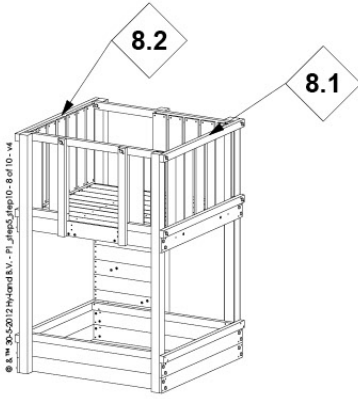


7.3d

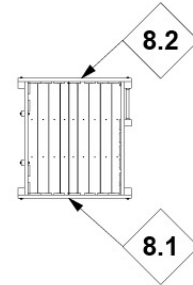
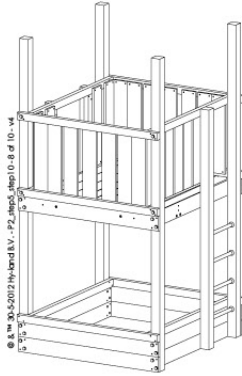


8

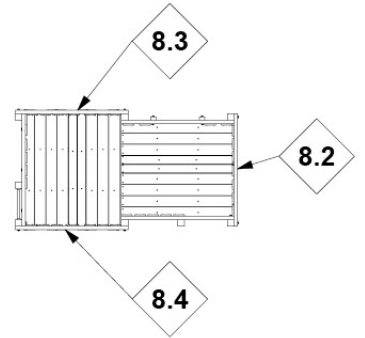
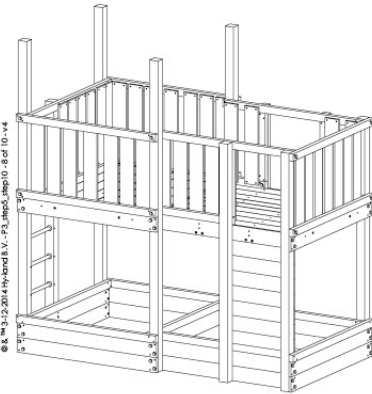
1



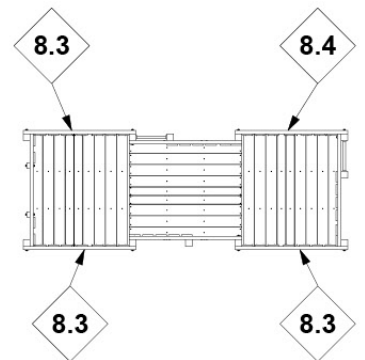
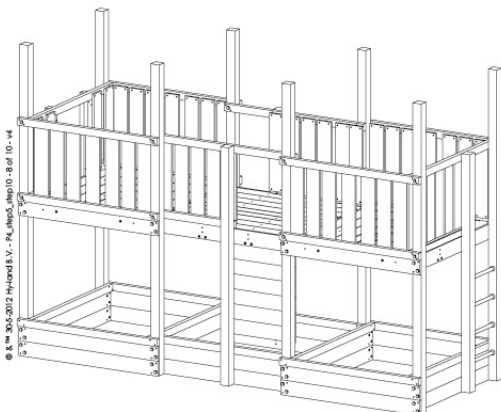
2



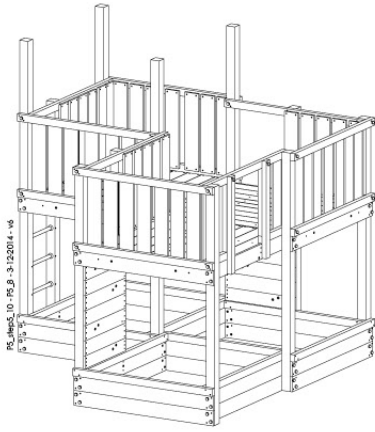
3



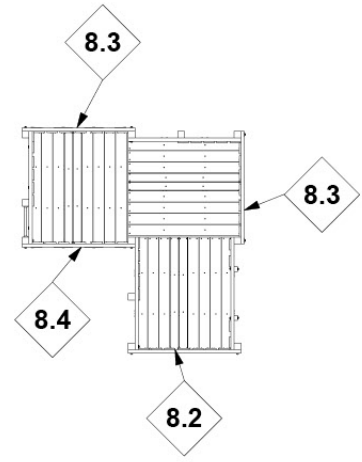
4



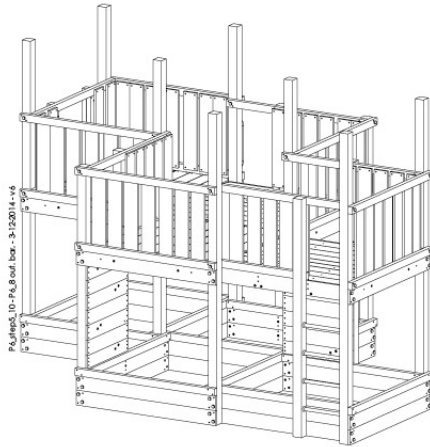
5



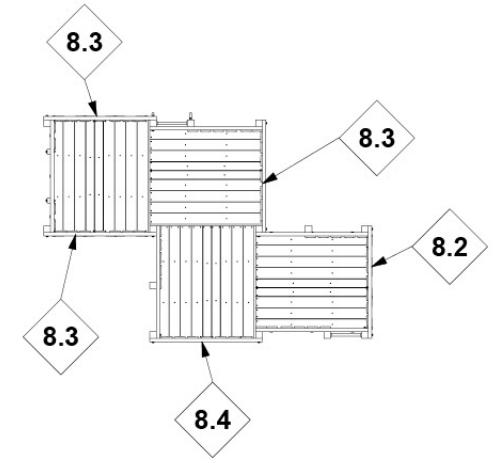
PK_10_15_B - 312011-v6



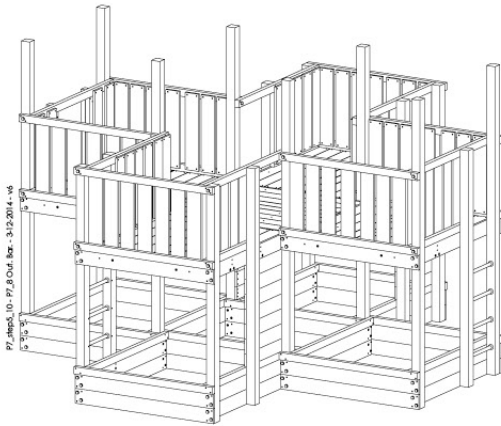
6



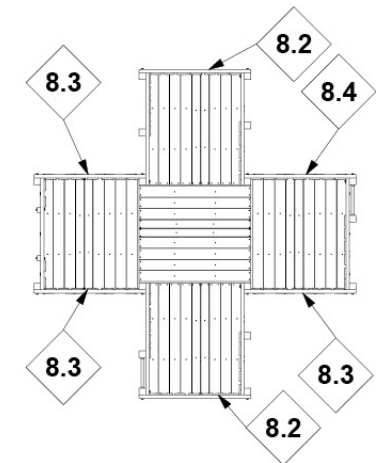
PK_10_15_B_out_box - 312011-v6



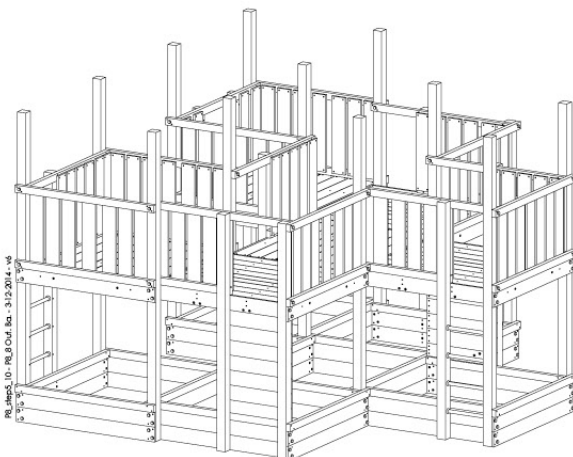
7



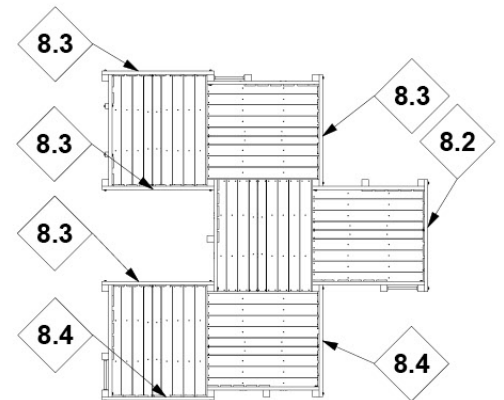
PK_10_17_B_Out_Box - 312011-v6



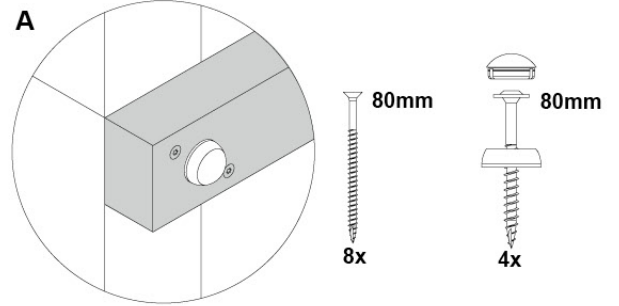
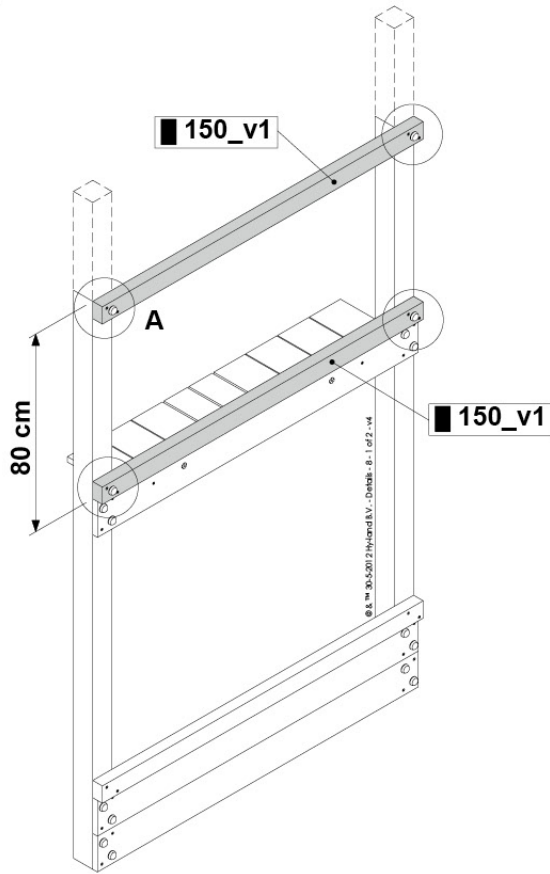
8



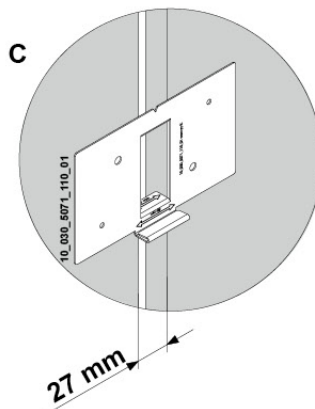
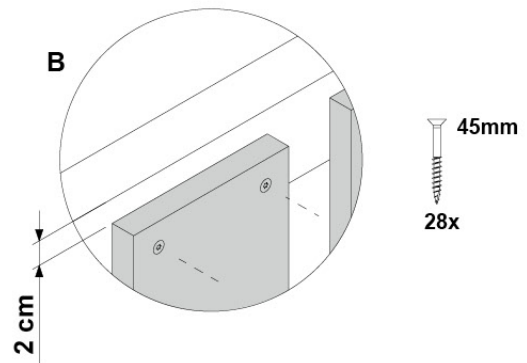
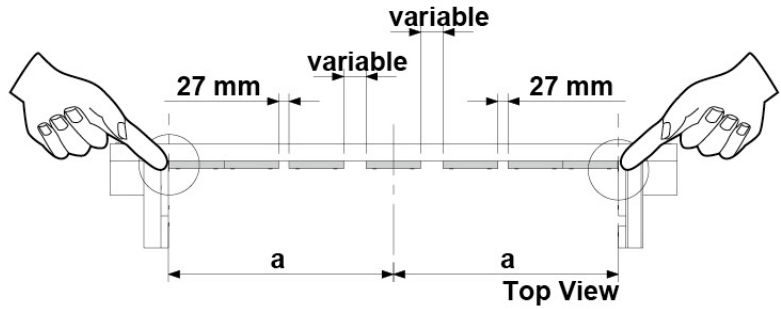
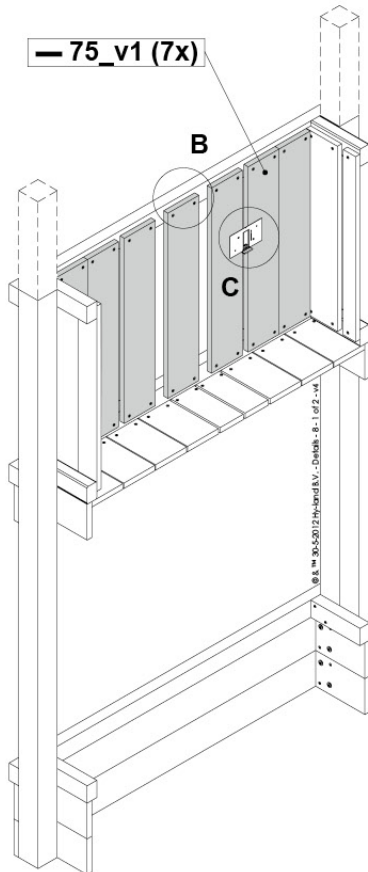
PK_10_18_B_Out_Box - 312011-v6



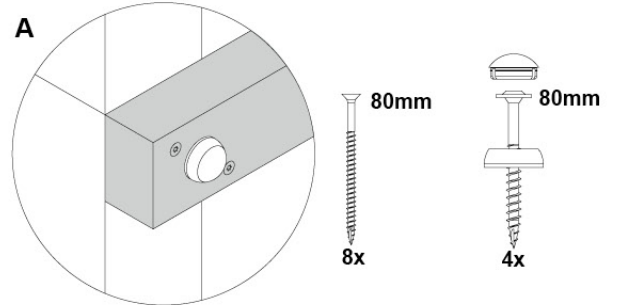
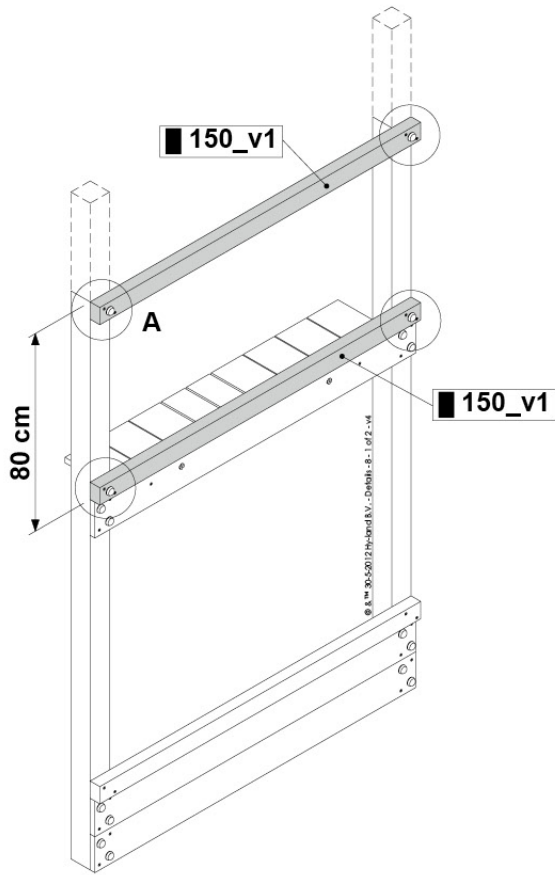
8.1a



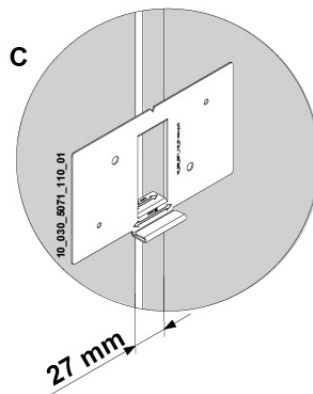
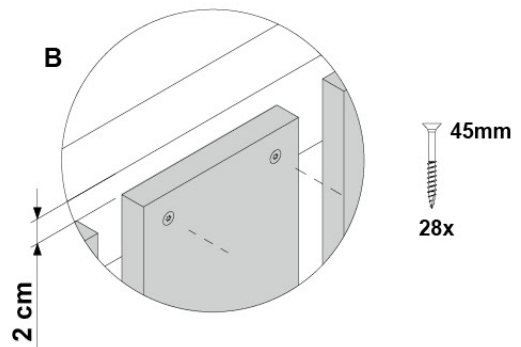
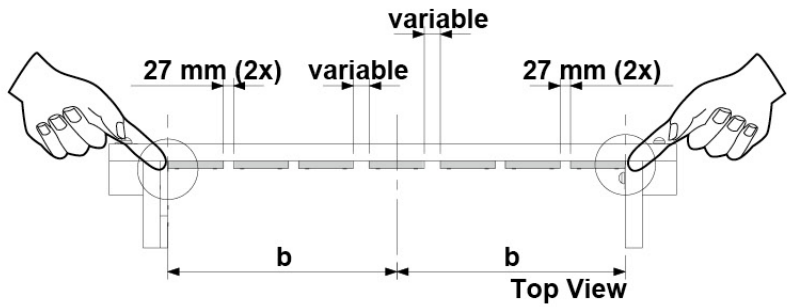
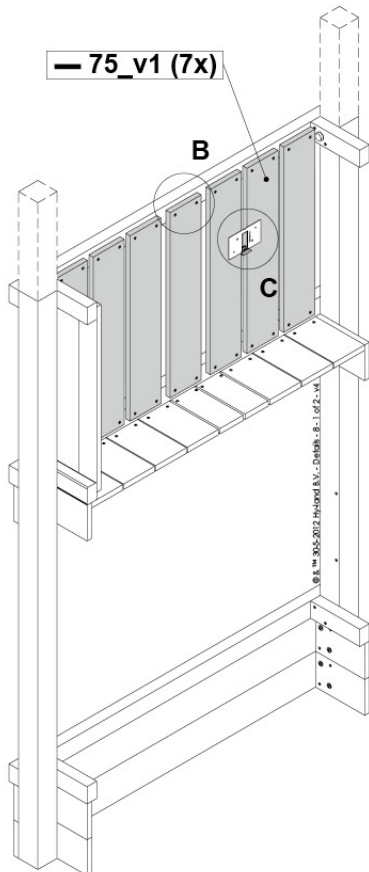
8.1b



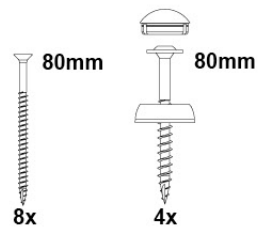
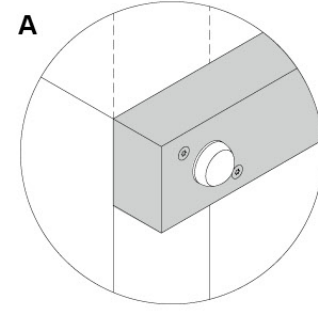
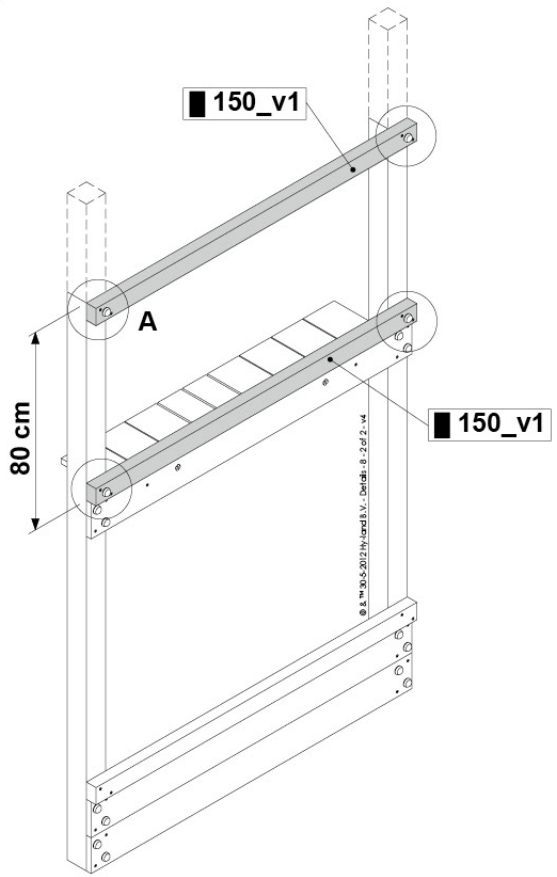
8.2a



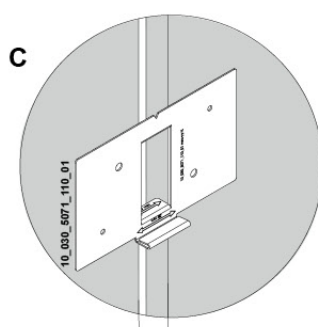
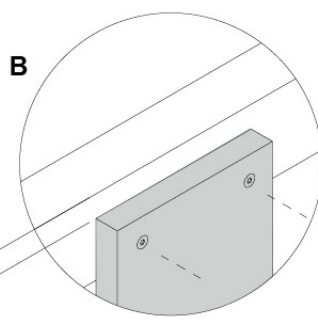
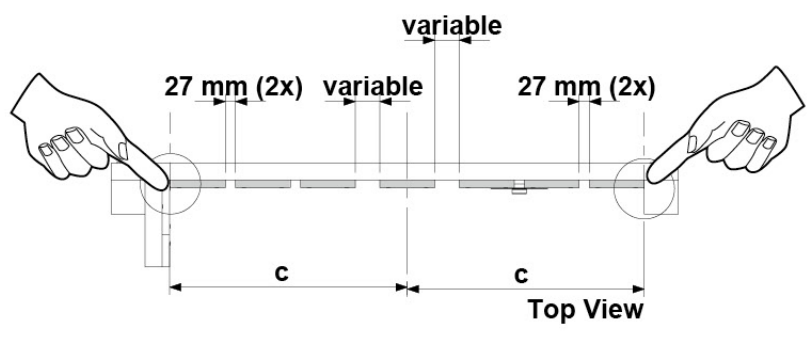
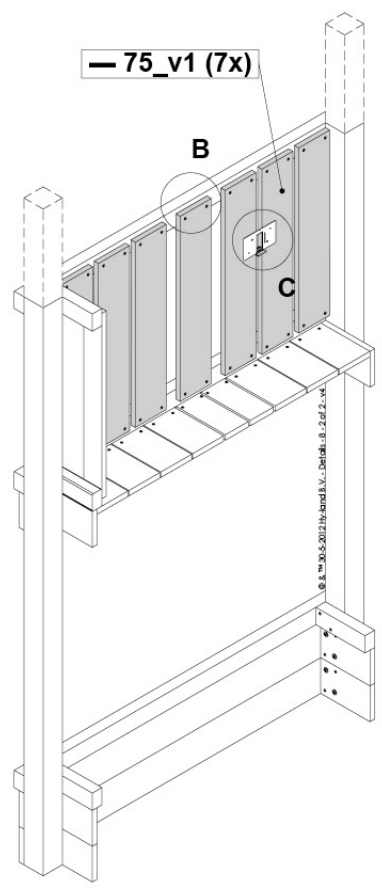
8.2b



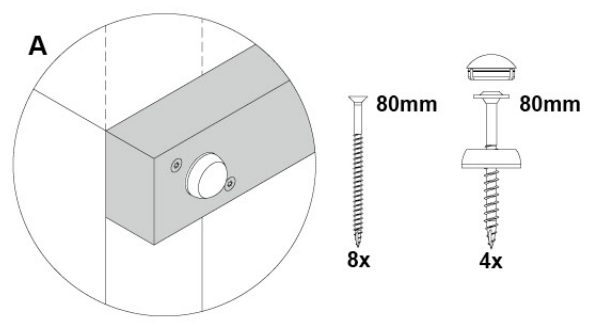
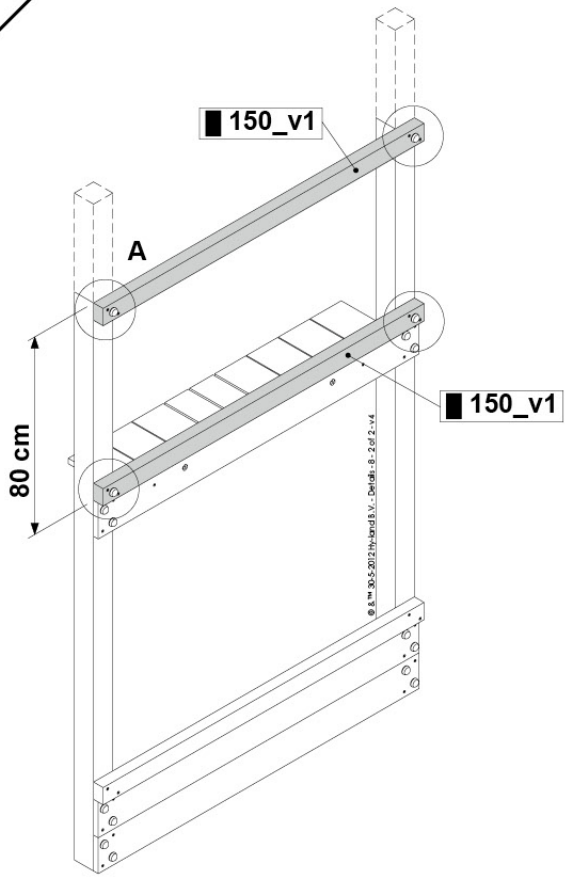
8.3a



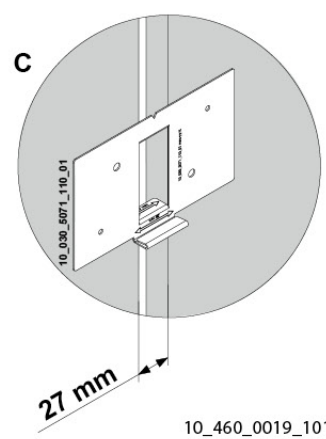
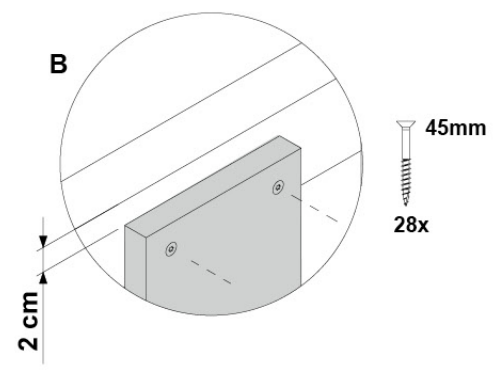
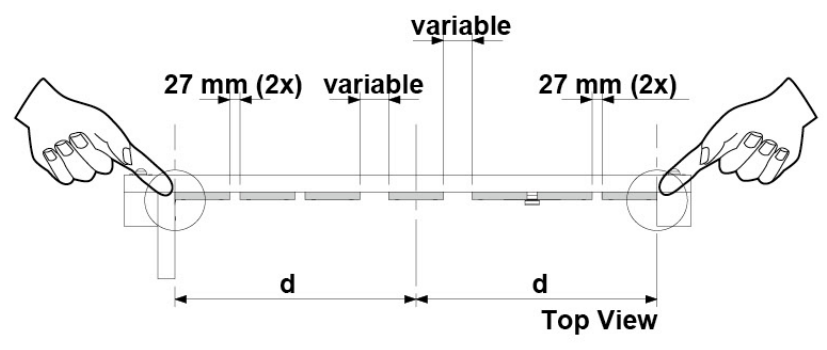
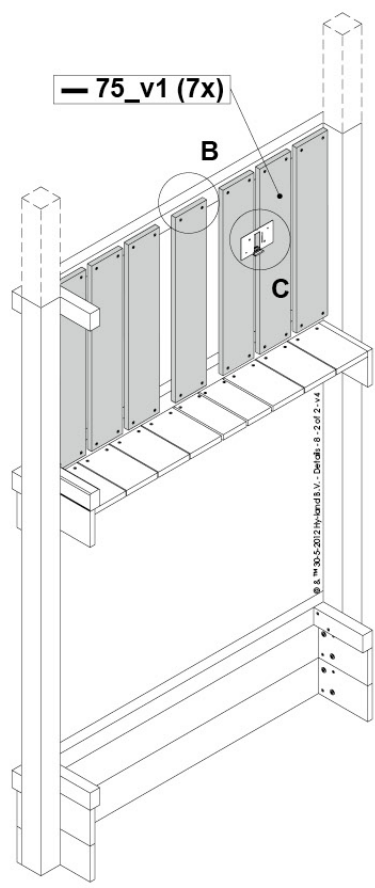
8.3b



8.4a

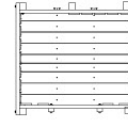
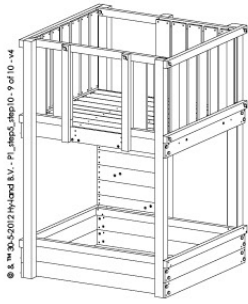


8.4b

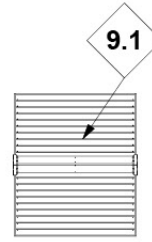
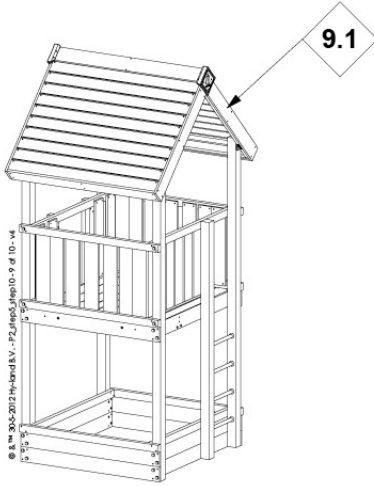


9

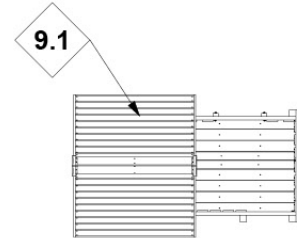
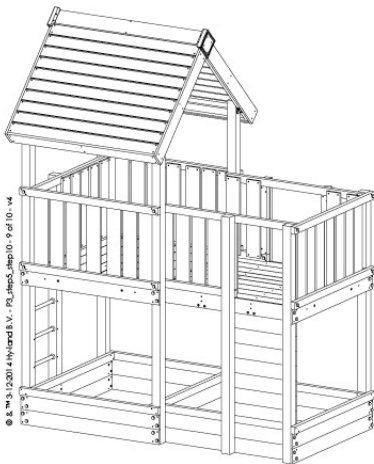
1



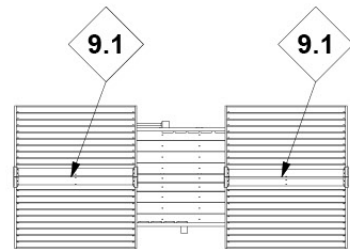
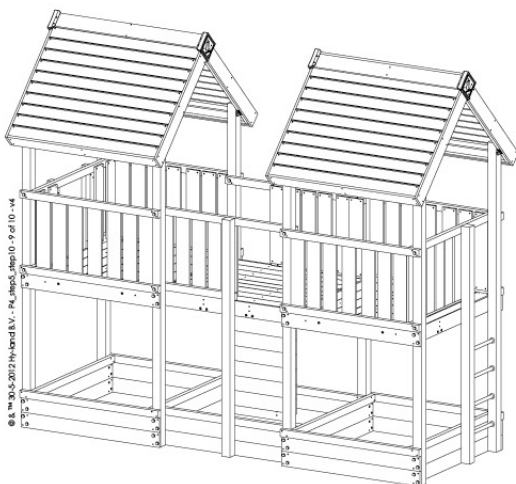
2



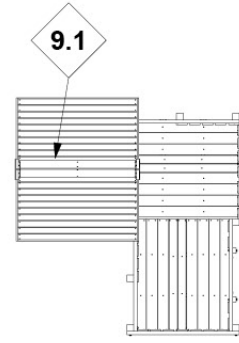
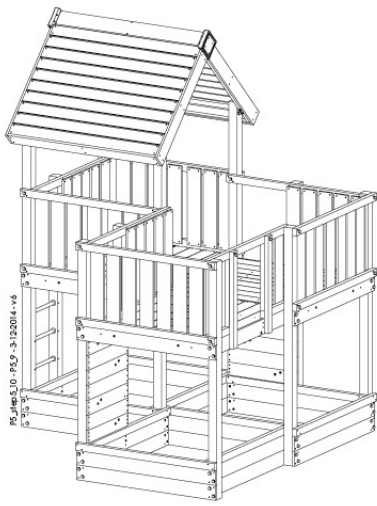
3



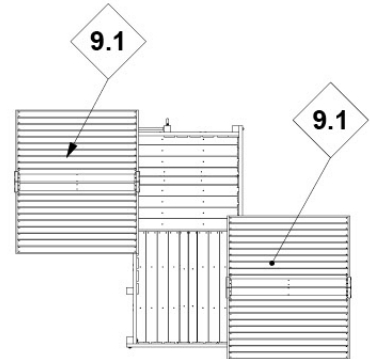
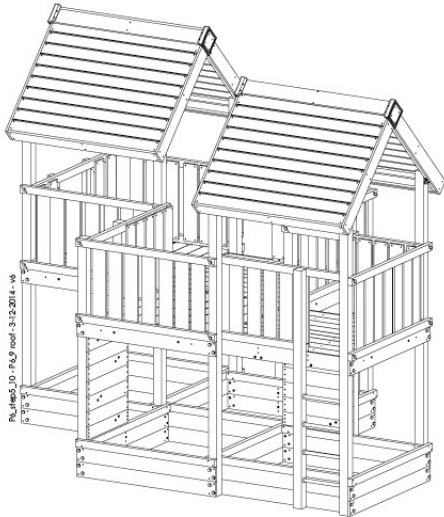
4



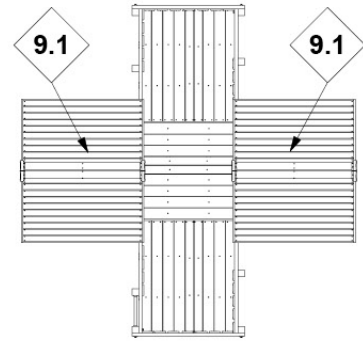
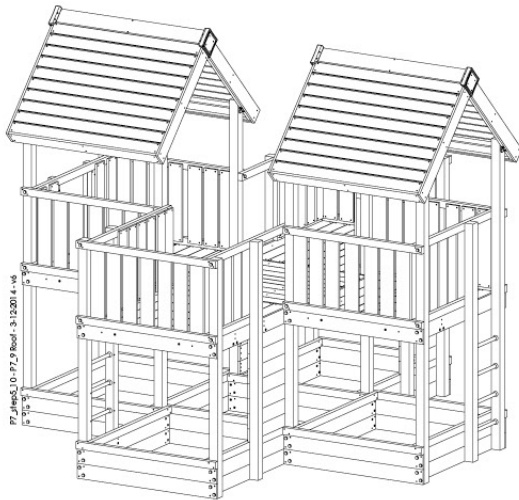
5



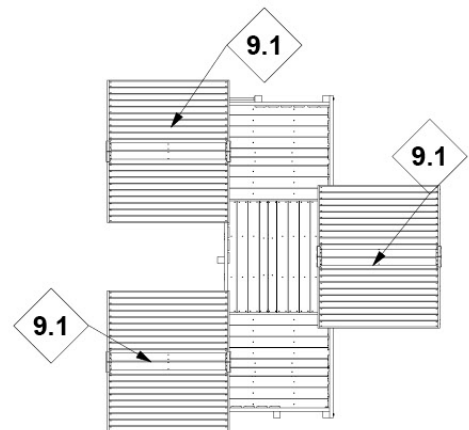
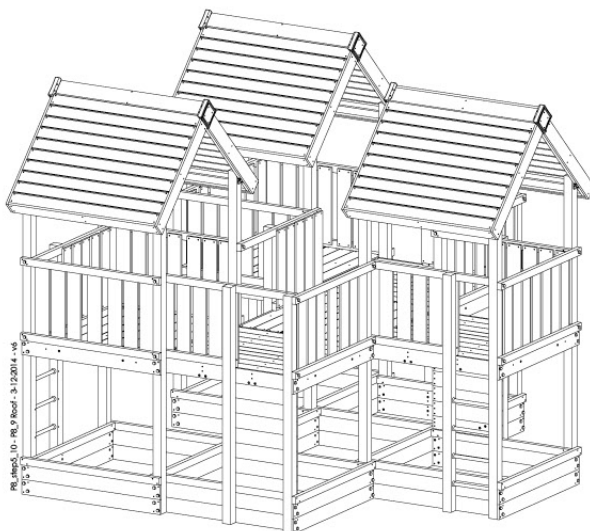
6



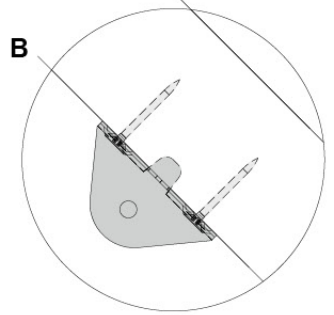
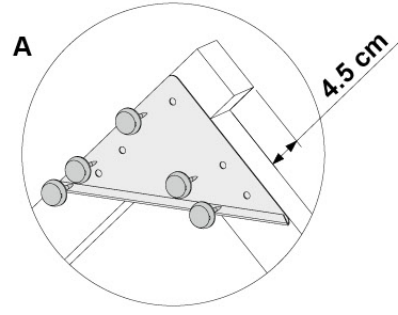
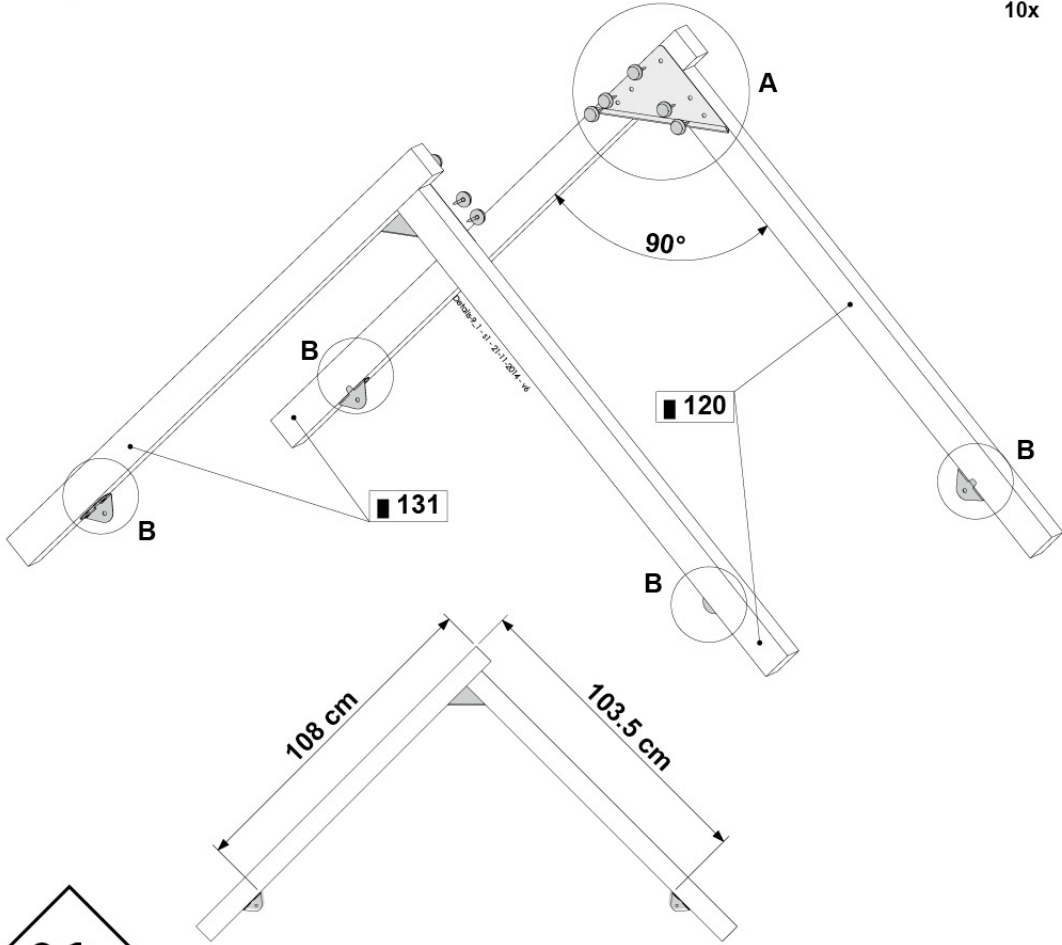
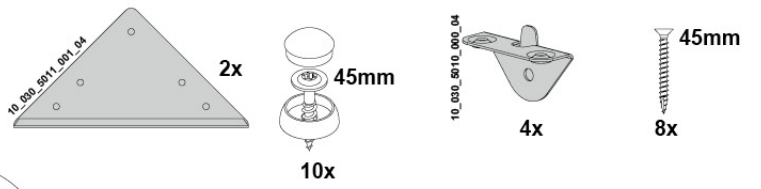
7



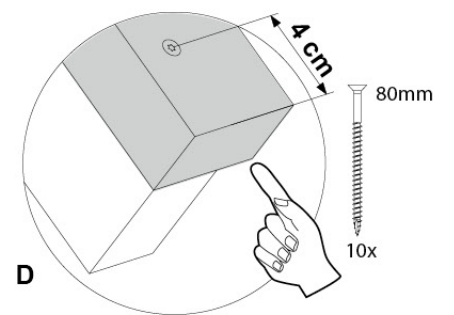
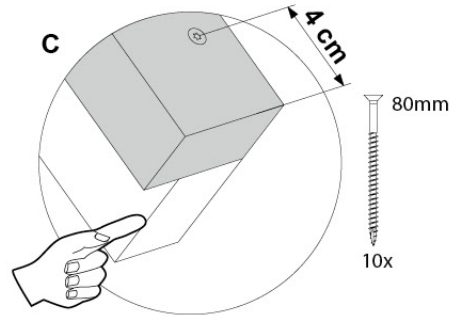
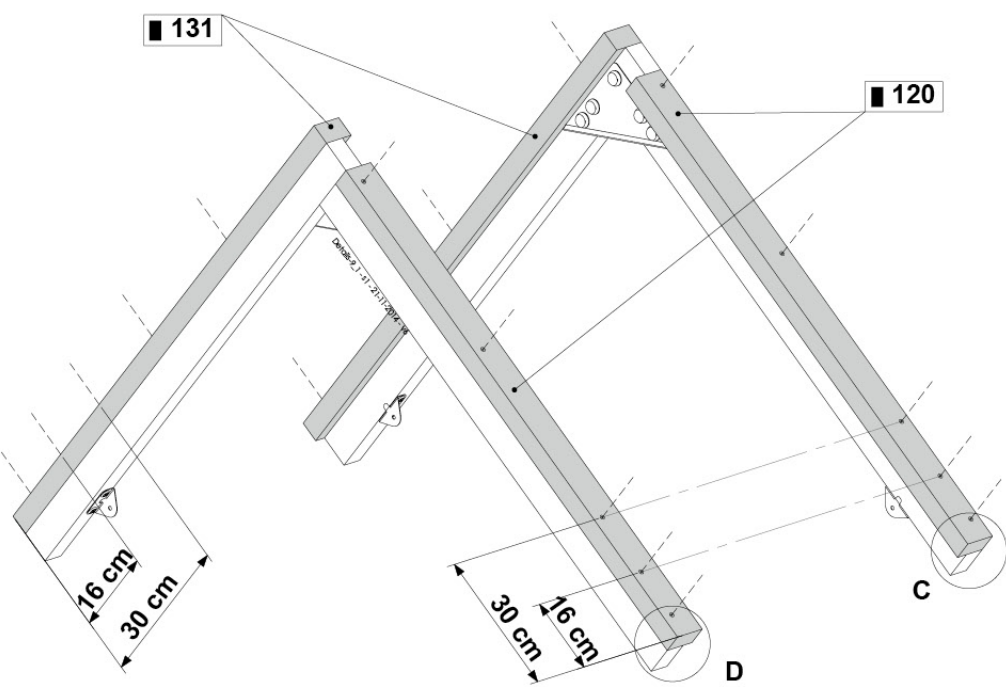
8



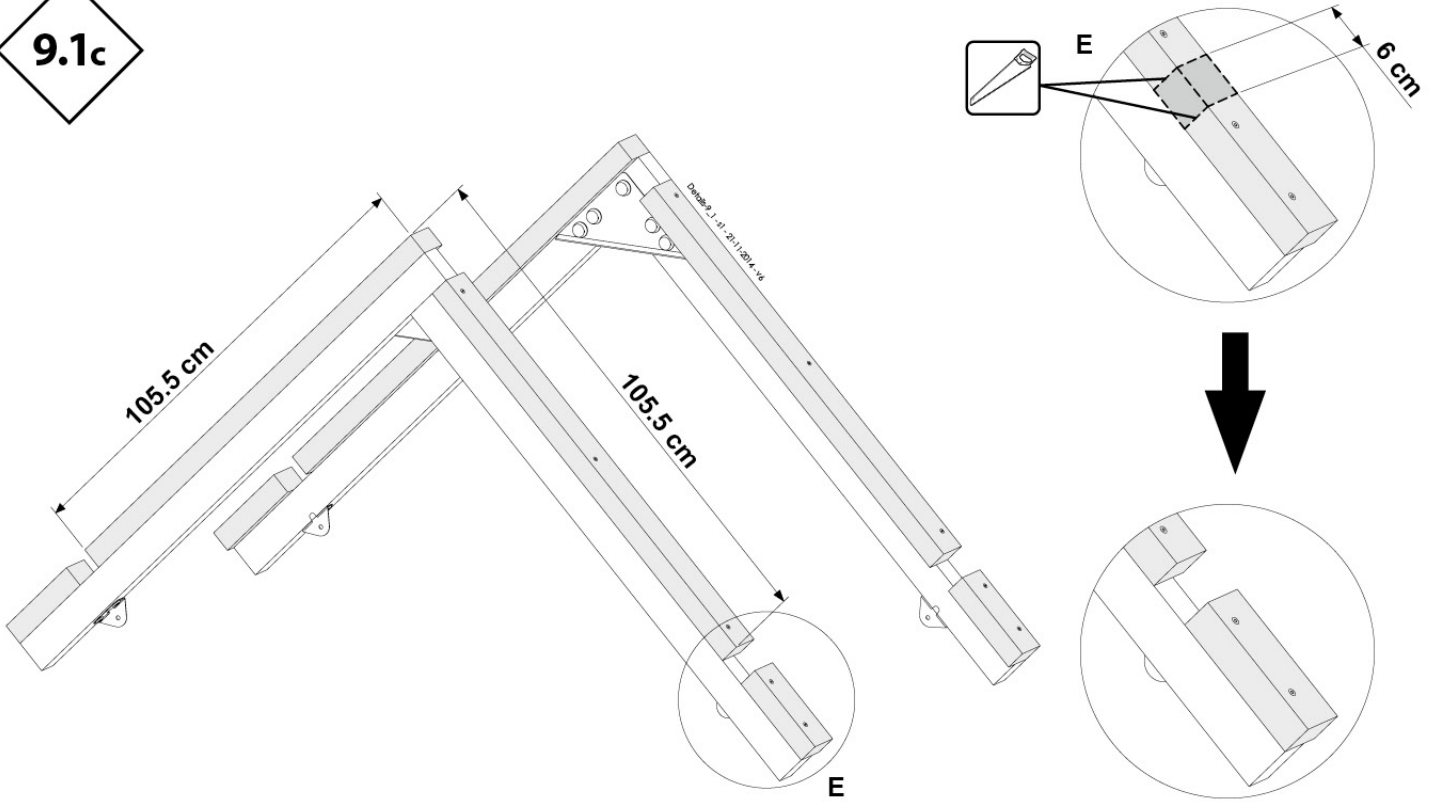
9.1a



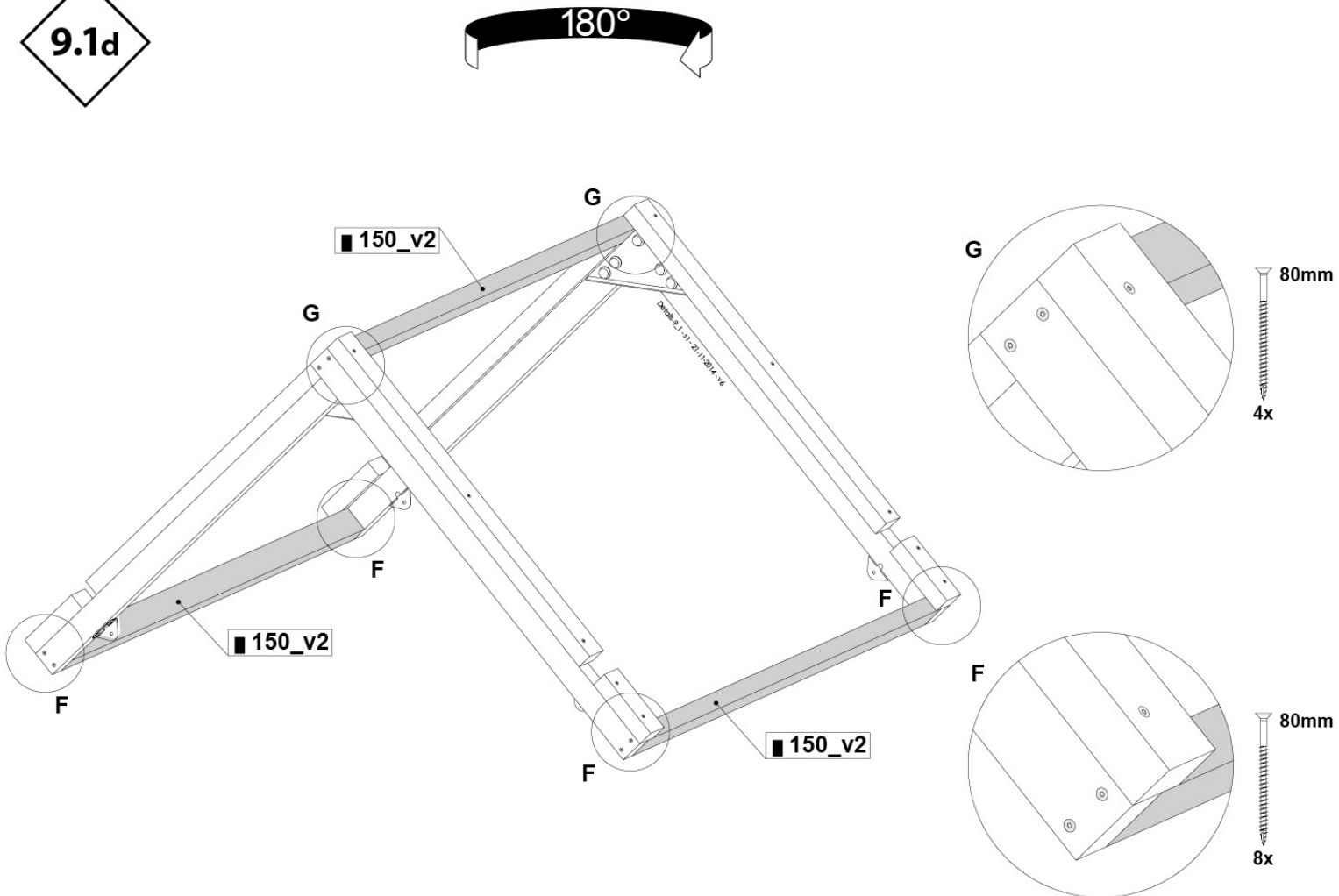
9.1b



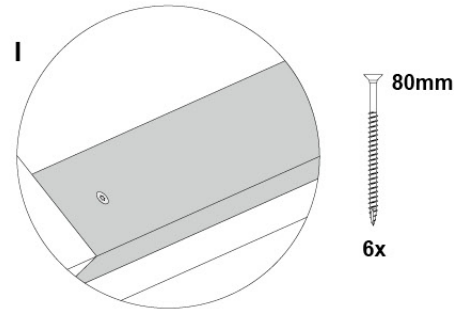
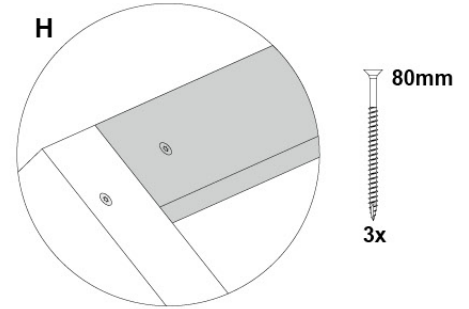
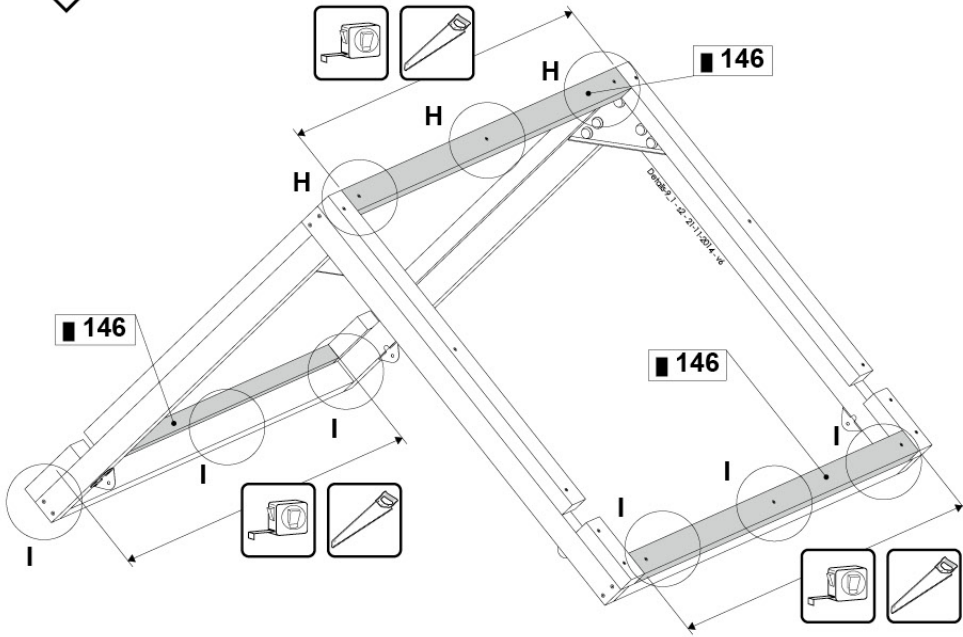
9.1c



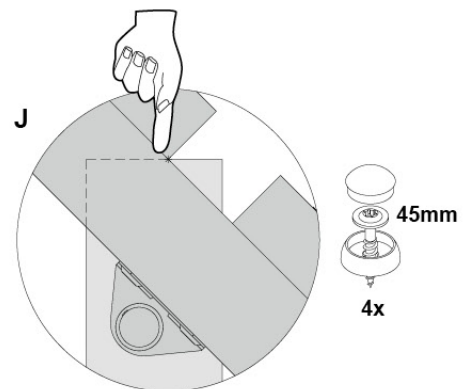
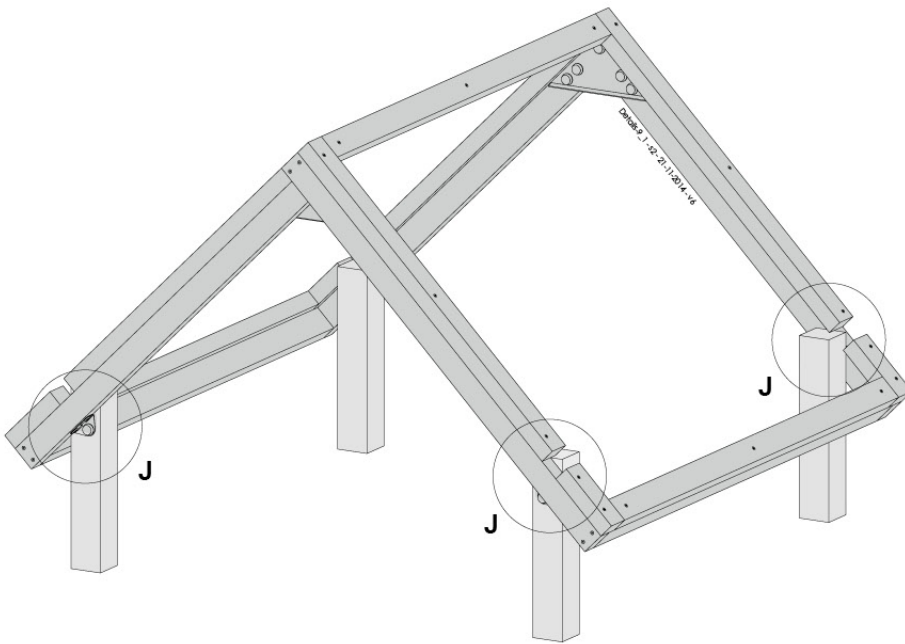
9.1d



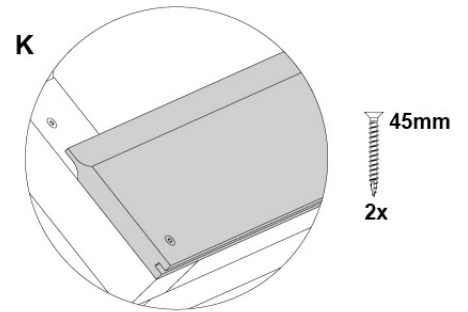
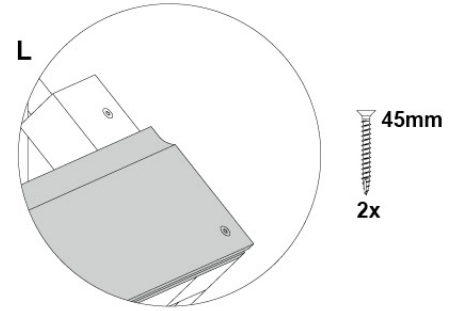
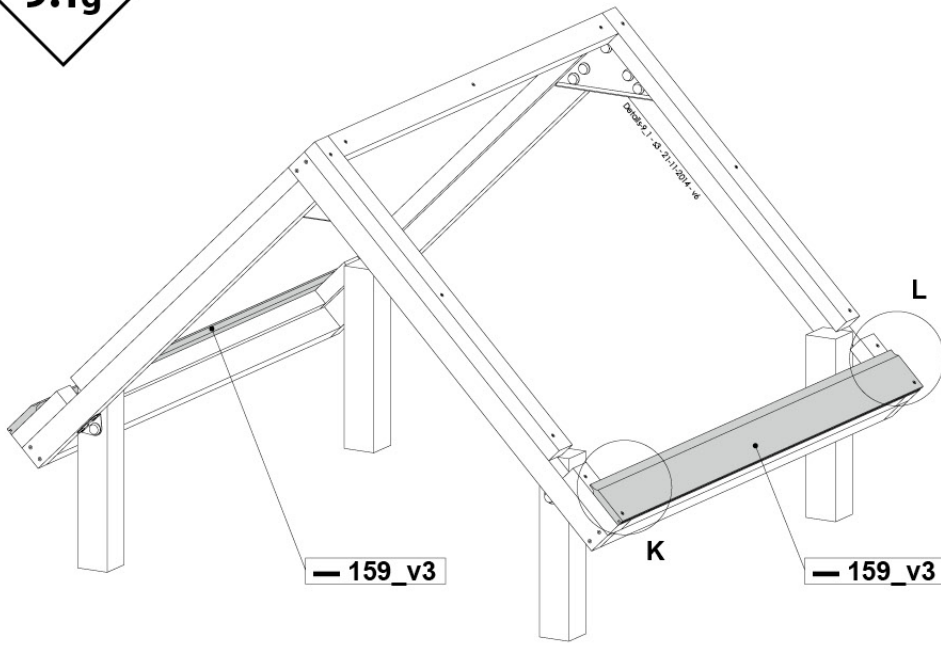
9.1e



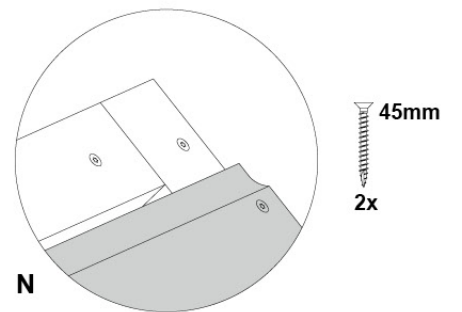
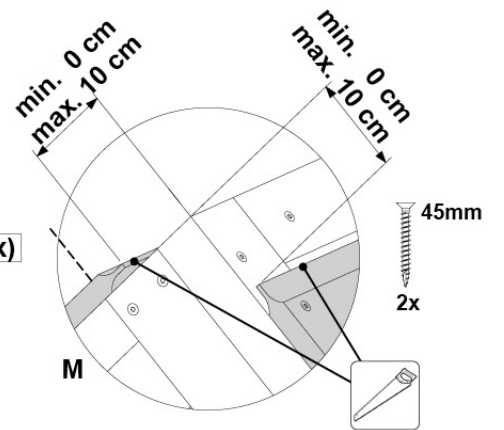
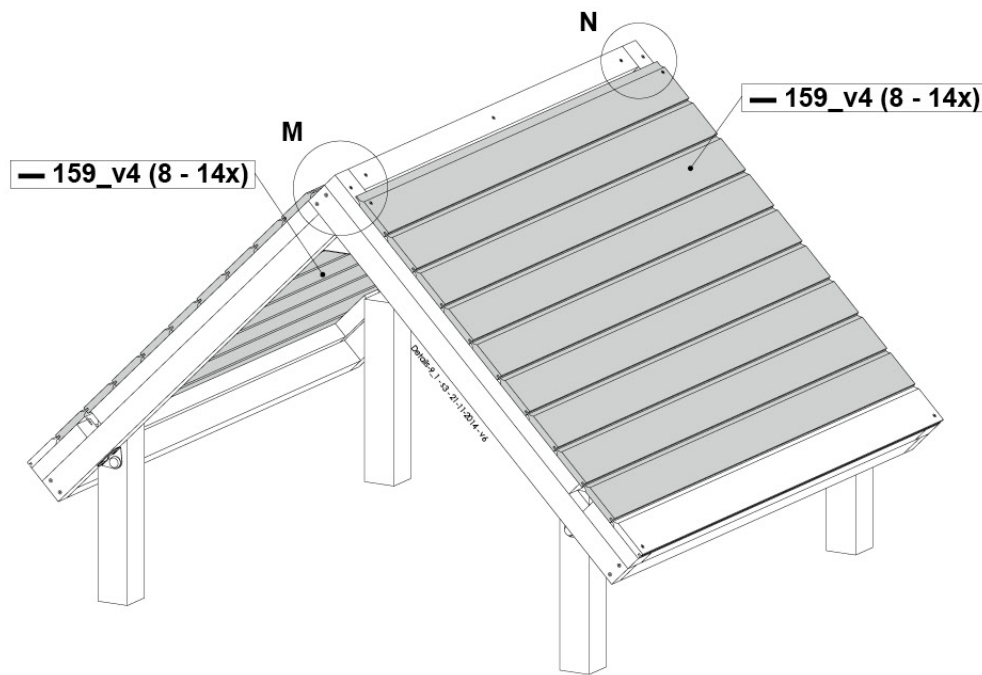
9.1f



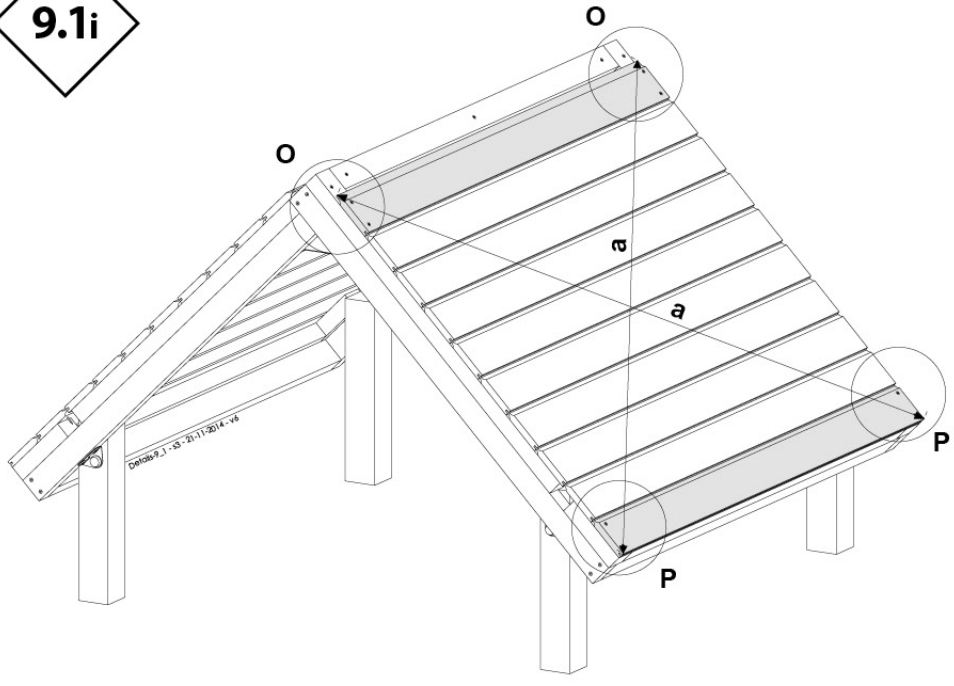
9.1g



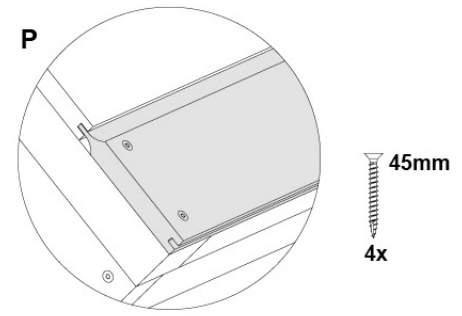
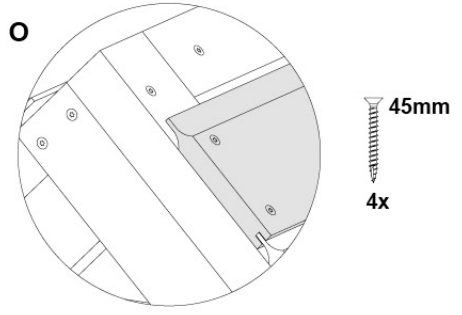
9.1h



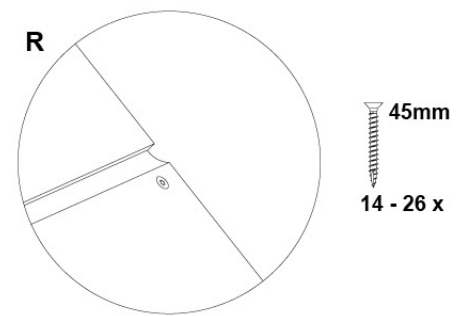
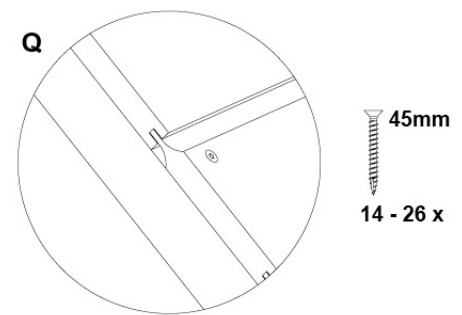
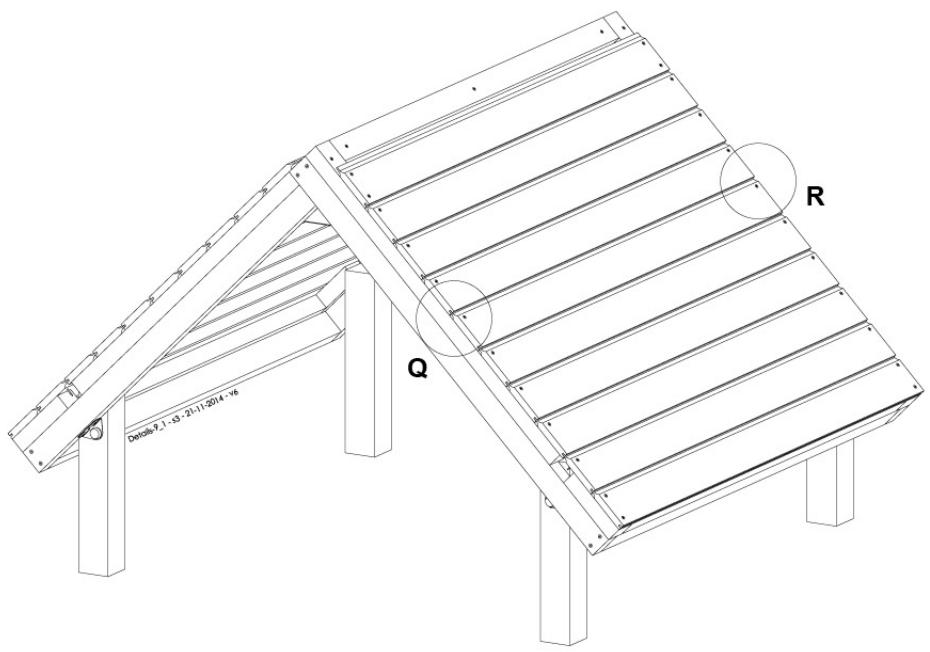
9.1i



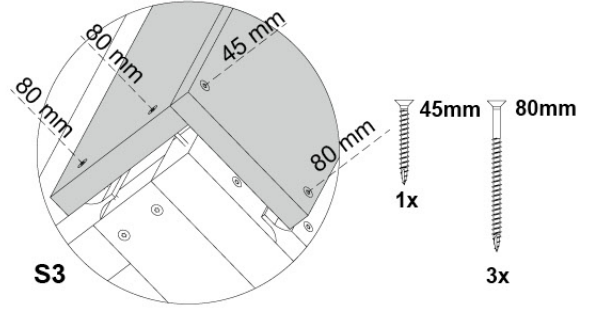
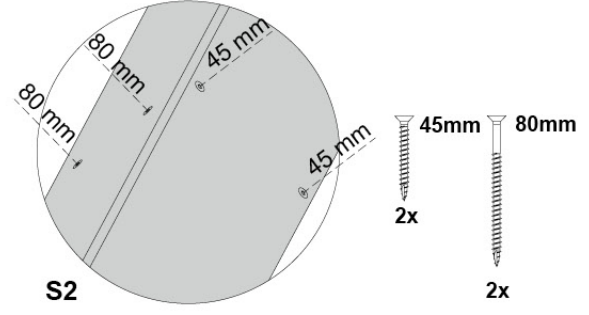
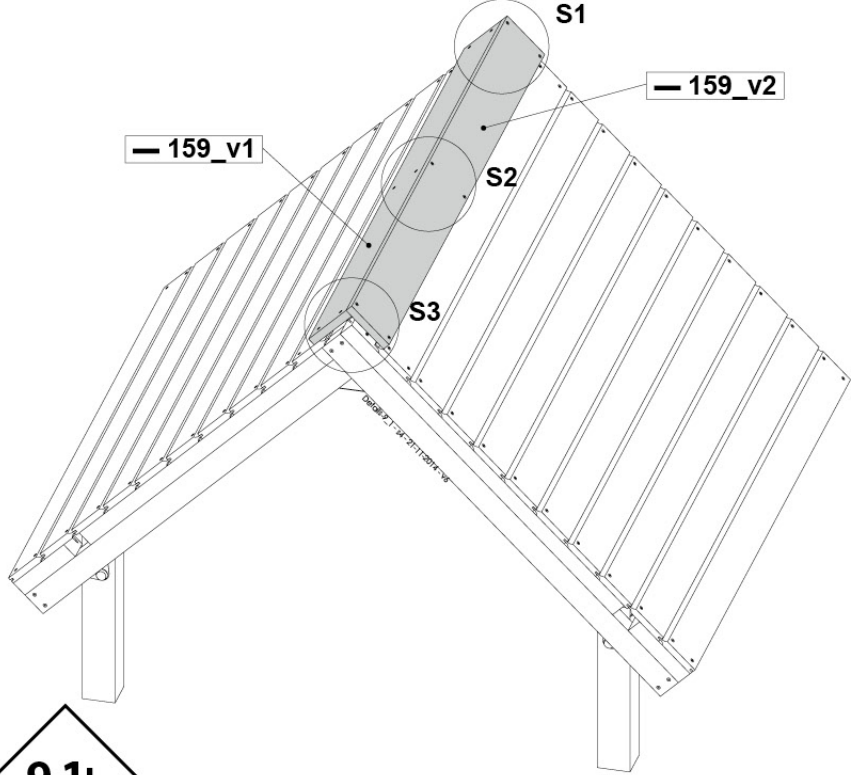
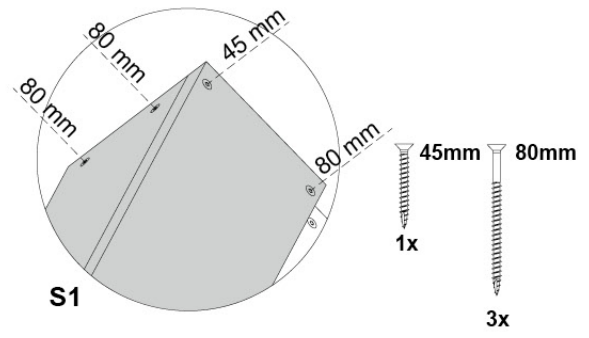
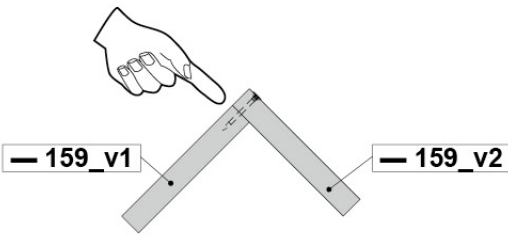
a = a



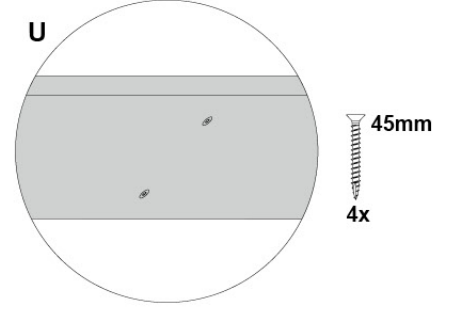
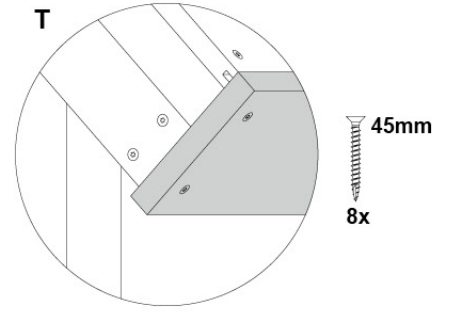
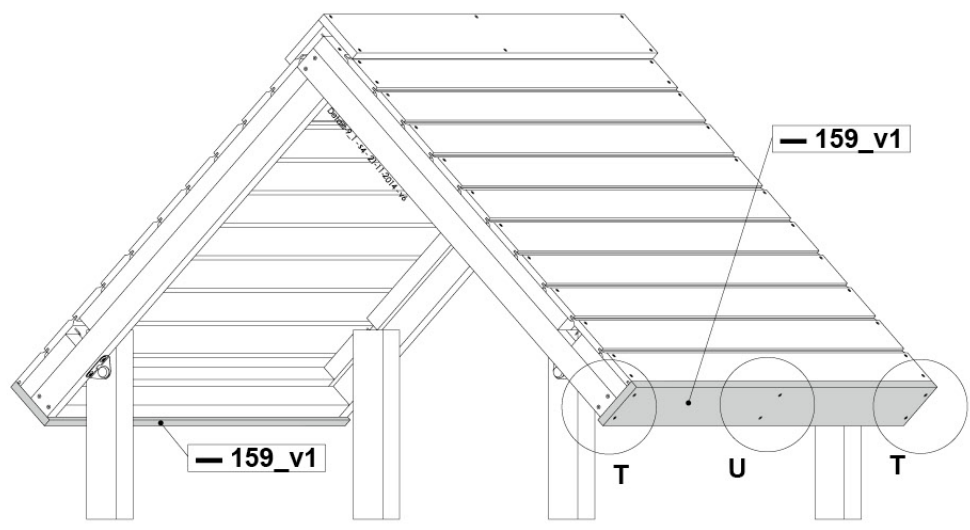
9.1j



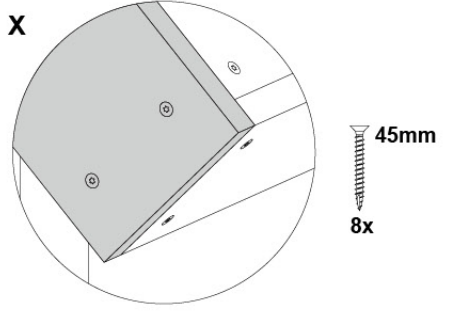
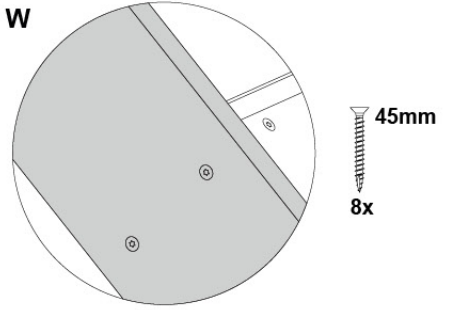
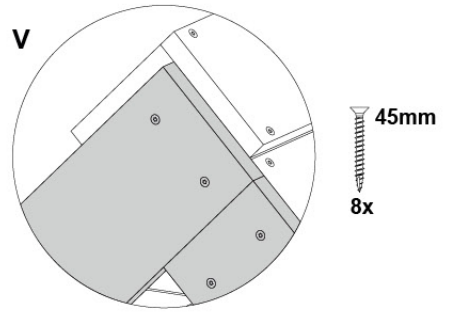
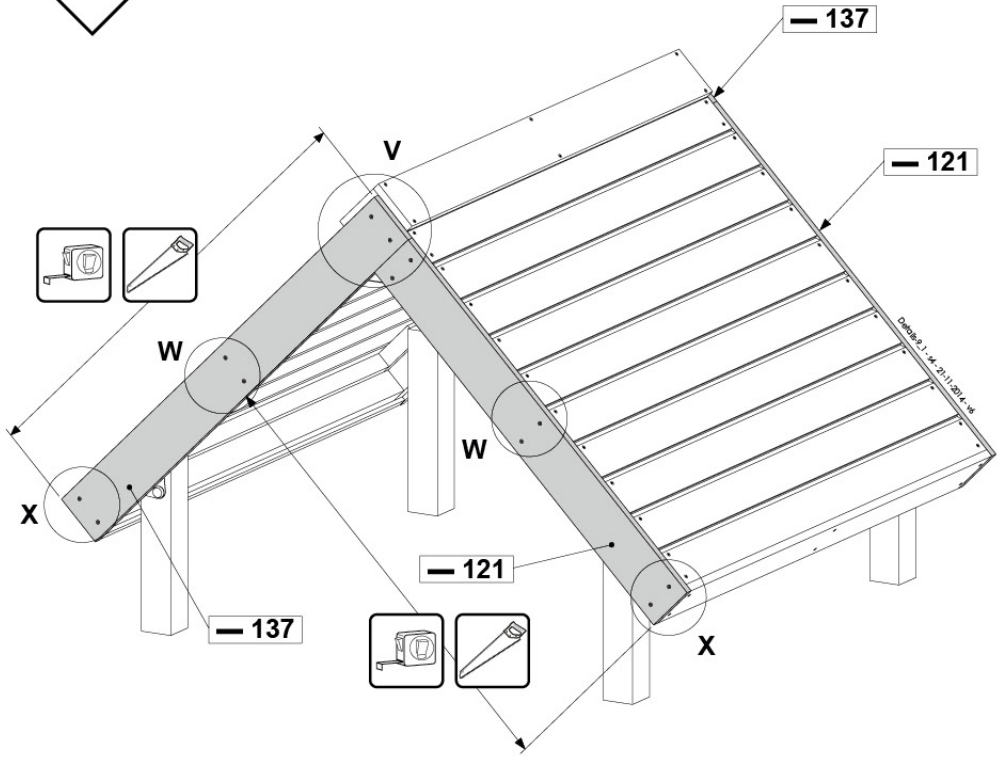
9.1k



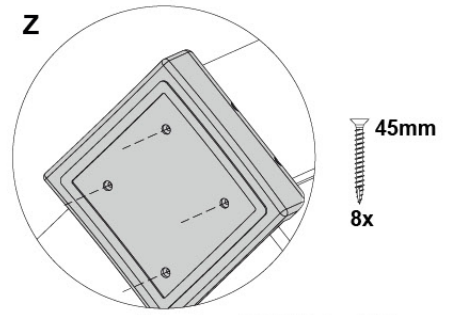
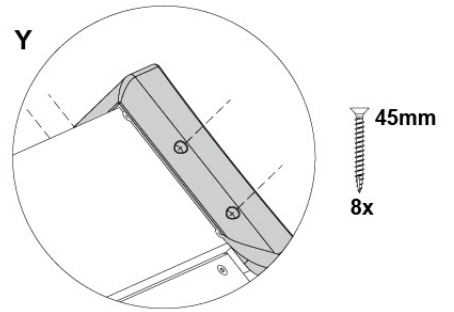
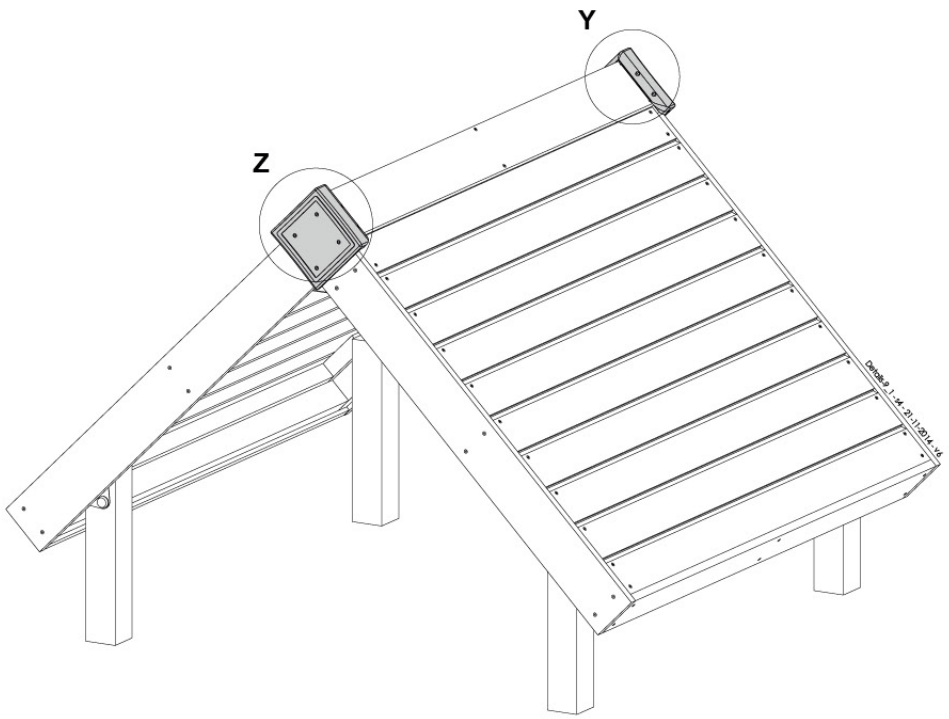
9.1L



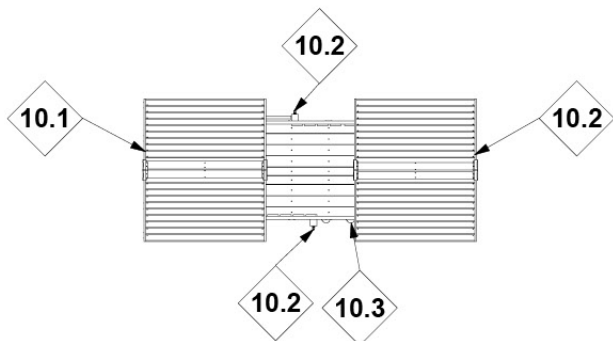
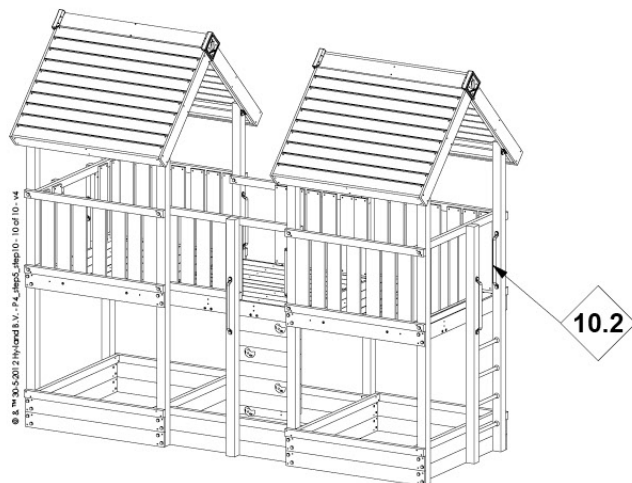
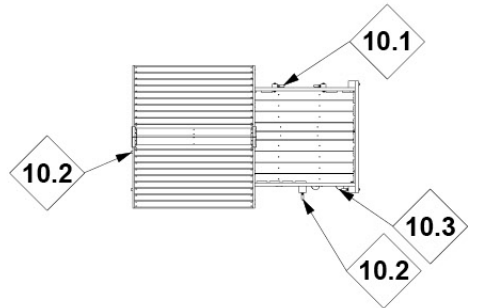
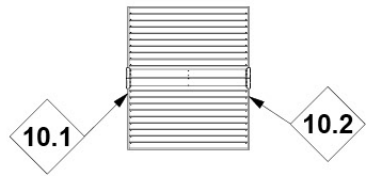
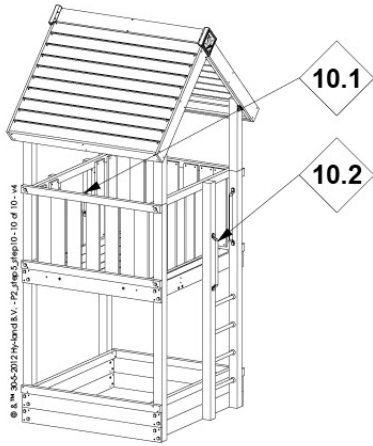
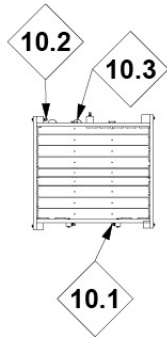
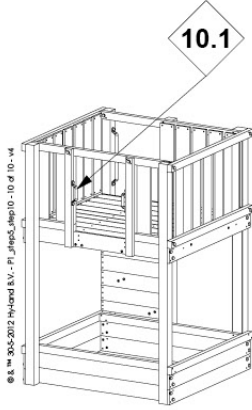
9.1m



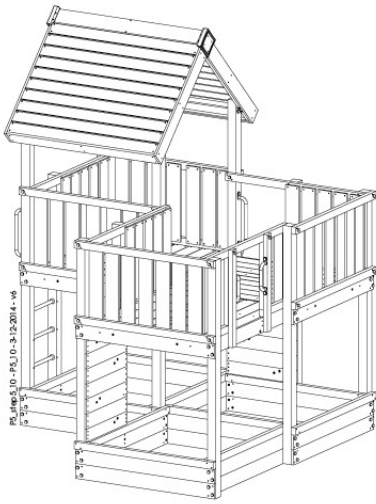
9.1n



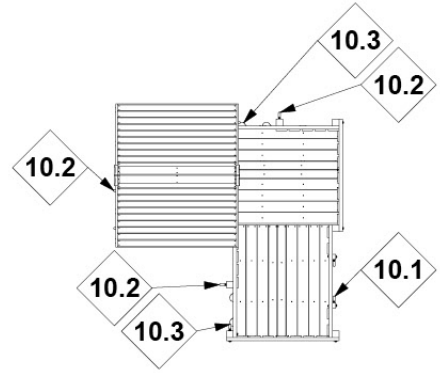
10



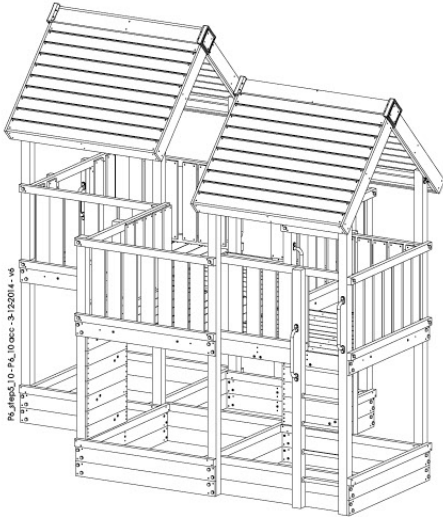
5



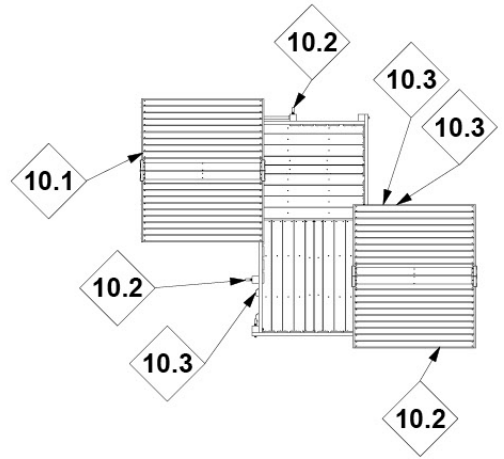
PS_1065_10 - PS_10 - 3.12.2014 v.6



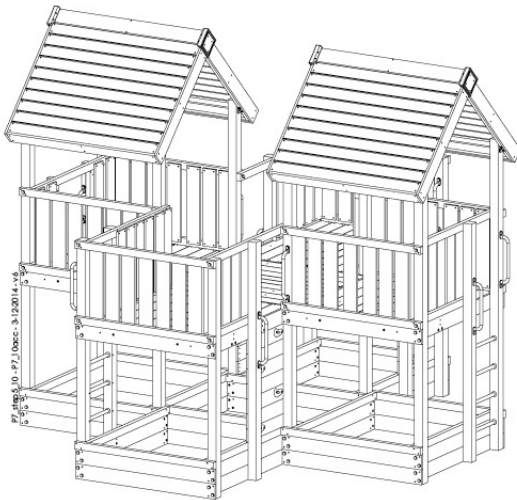
6



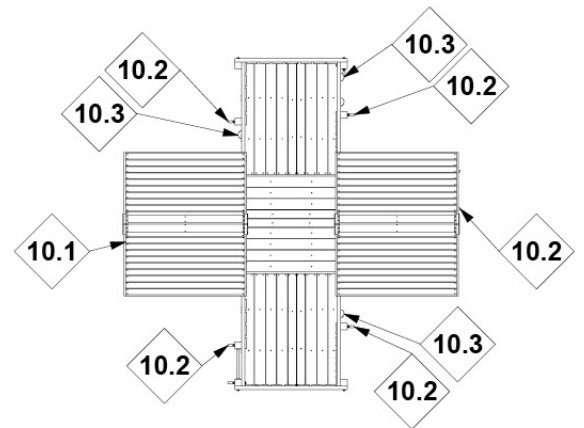
PS_1065_10 - PS_10 - 3.12.2014 v.6



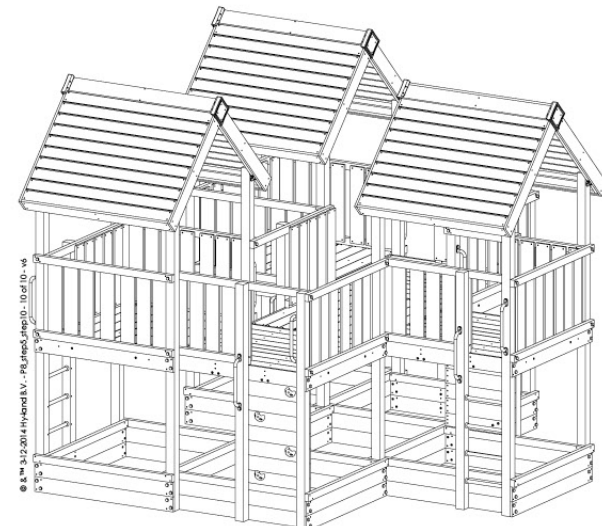
7



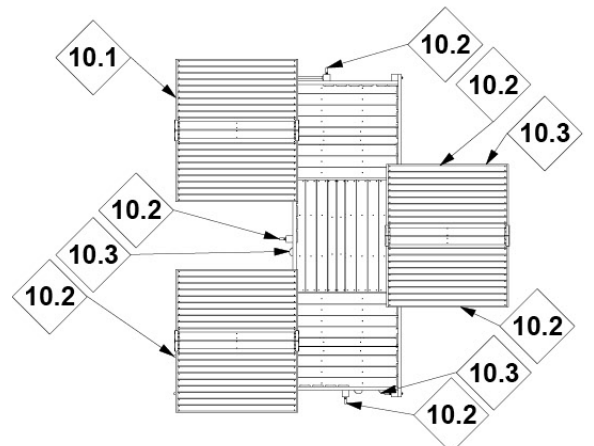
PS_1065_10 - P7_10 - 3.12.2014 v.6



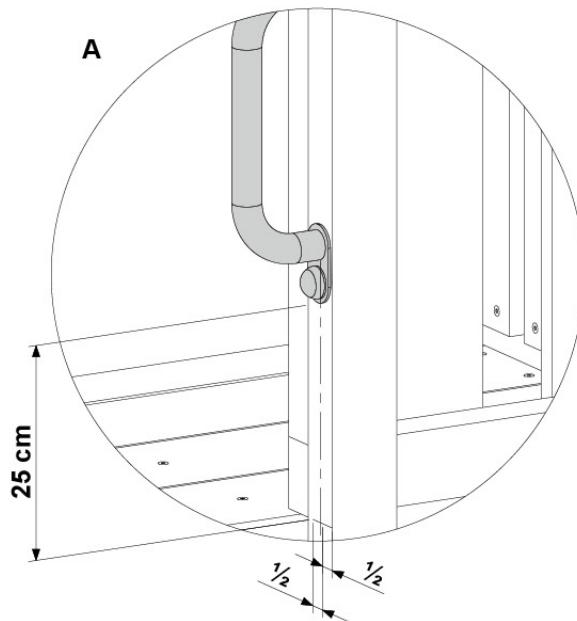
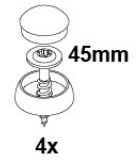
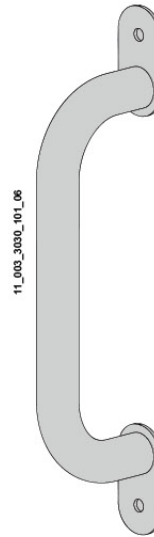
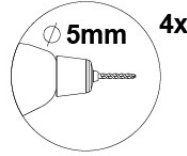
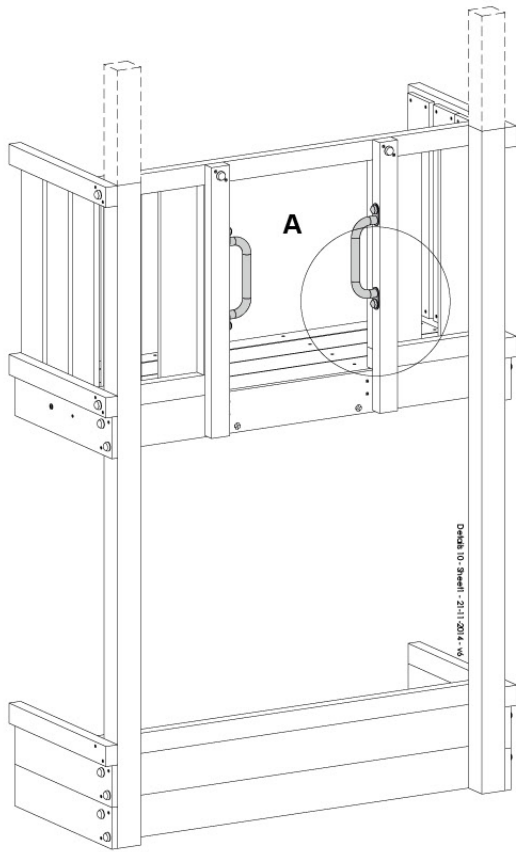
8



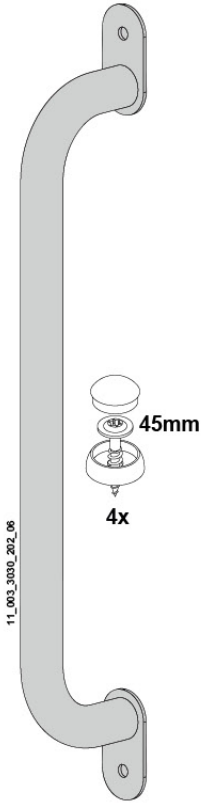
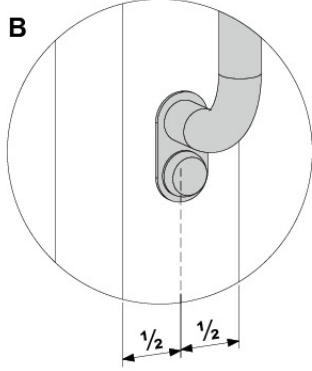
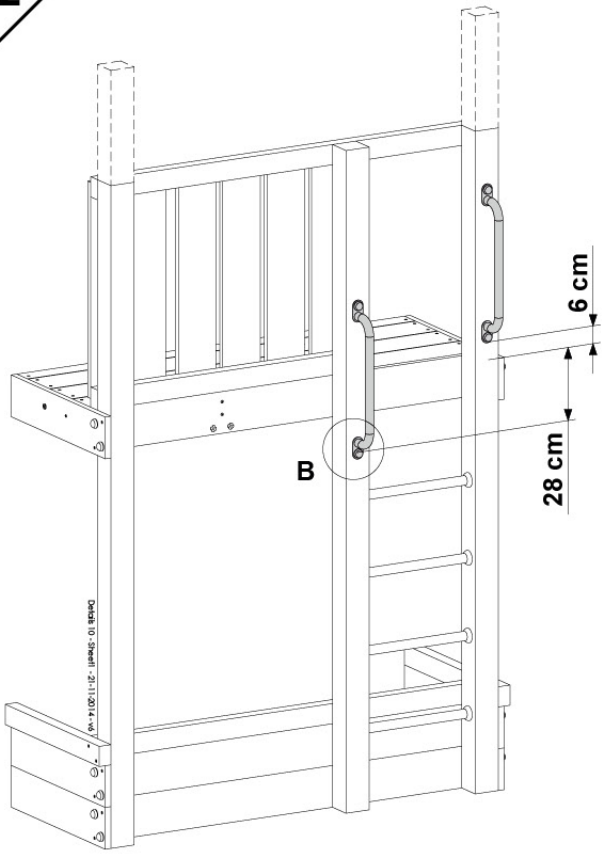
© 2014 3.12.2014 Hy-Land B.V. - PS_1065_10 - 10 of 10 v.4



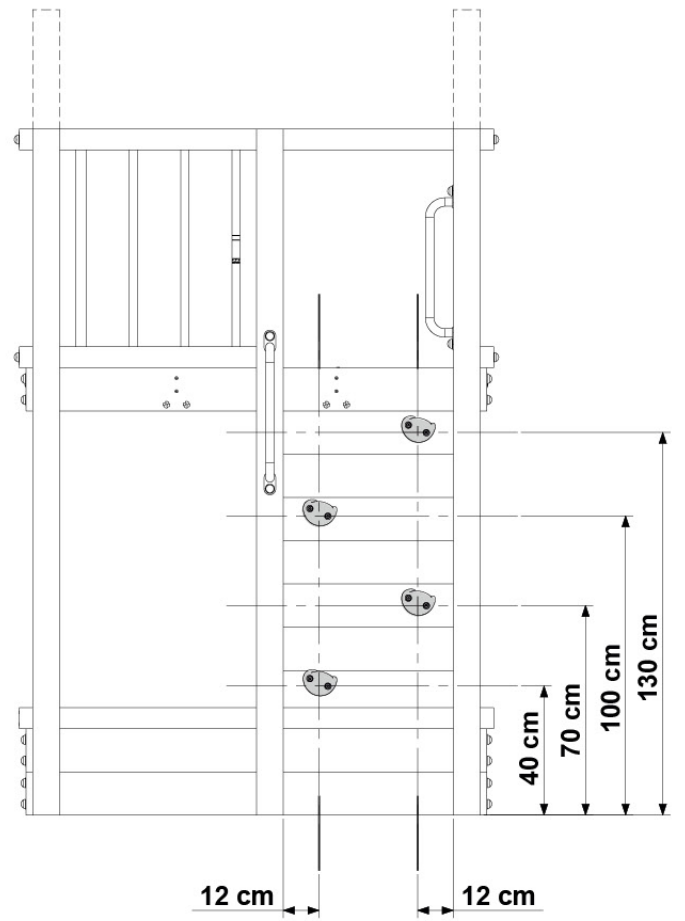
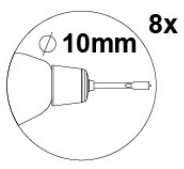
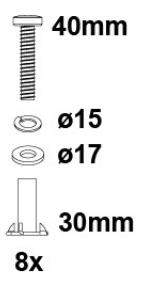
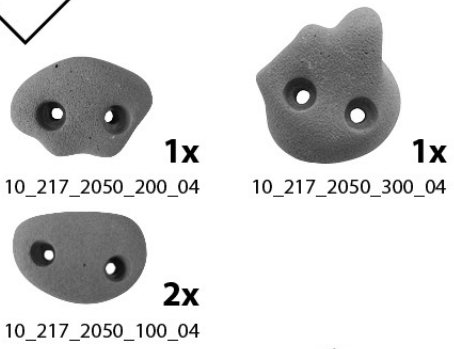
10.1



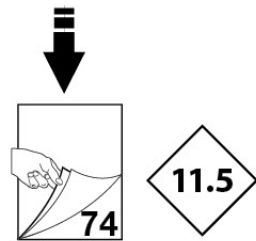
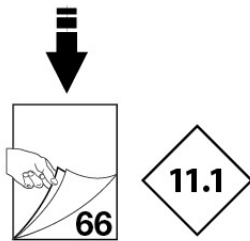
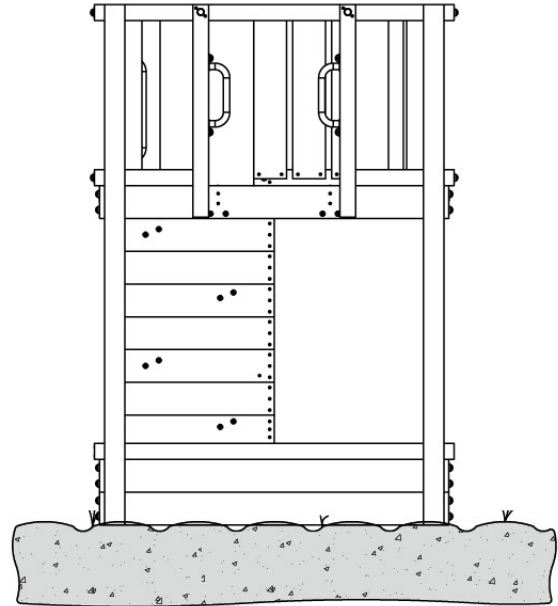
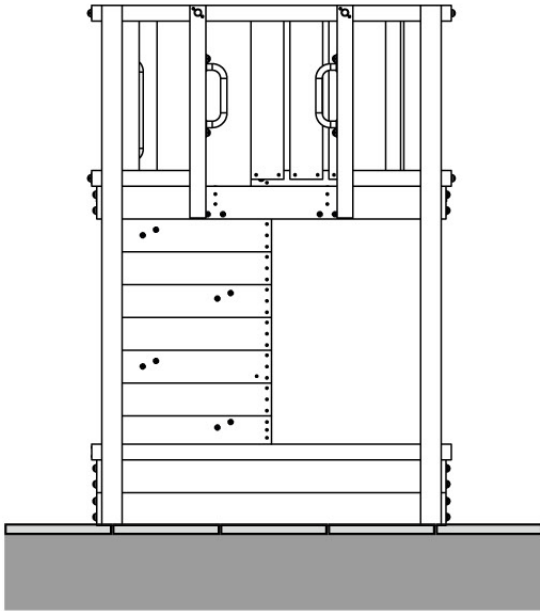
10.2



10.3

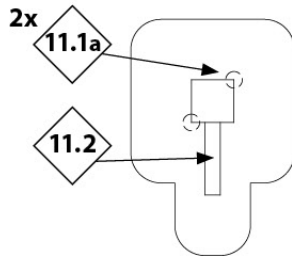
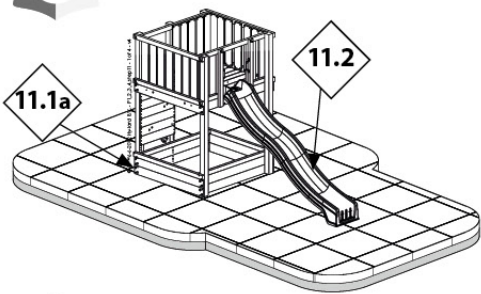


11

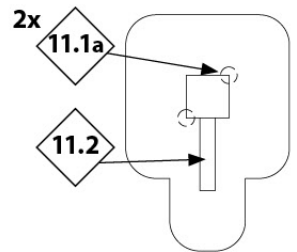
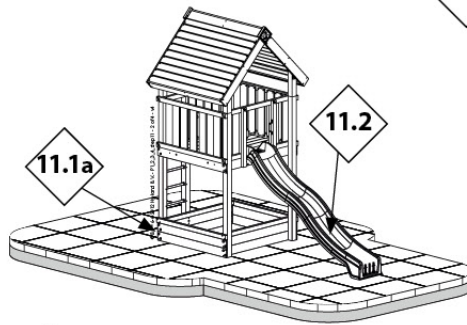


11.1

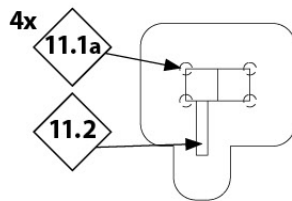
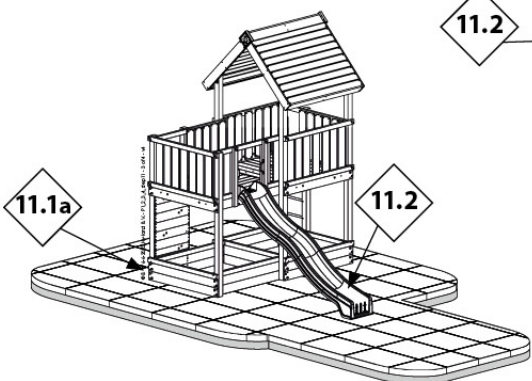
P1



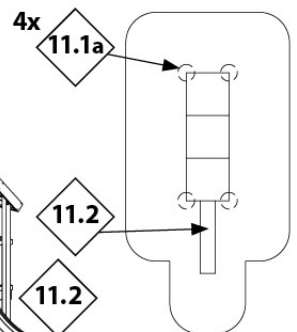
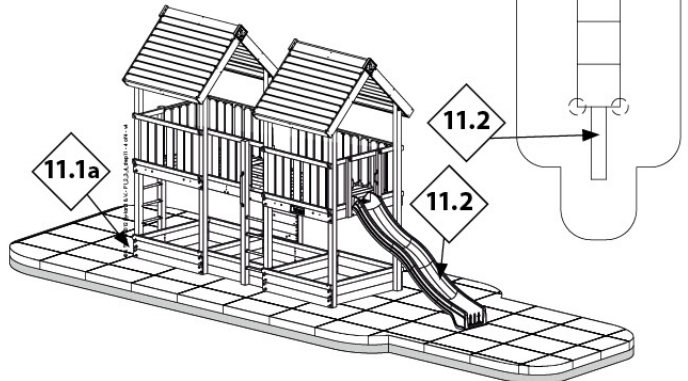
P2



P3

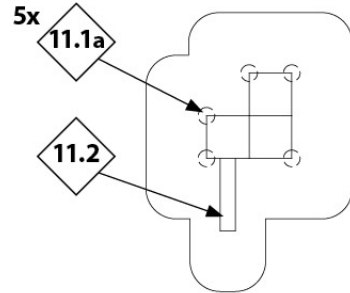
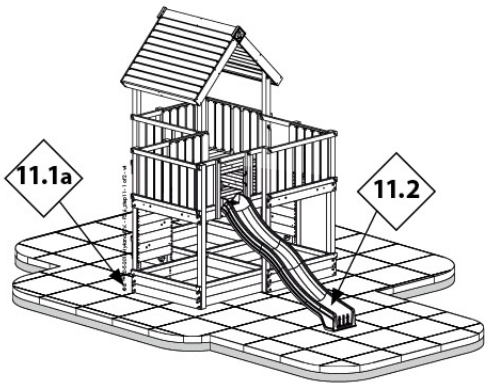


P4

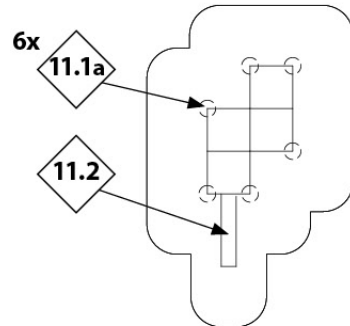
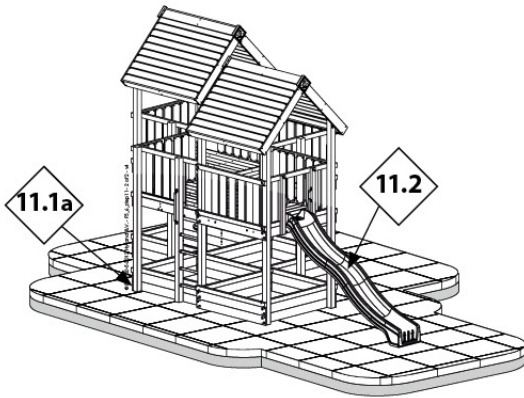


11.1

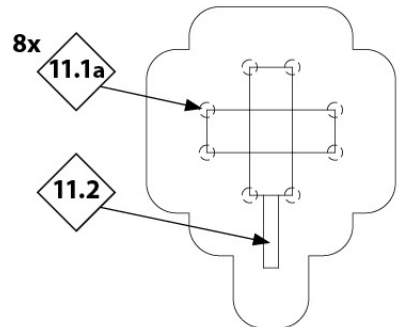
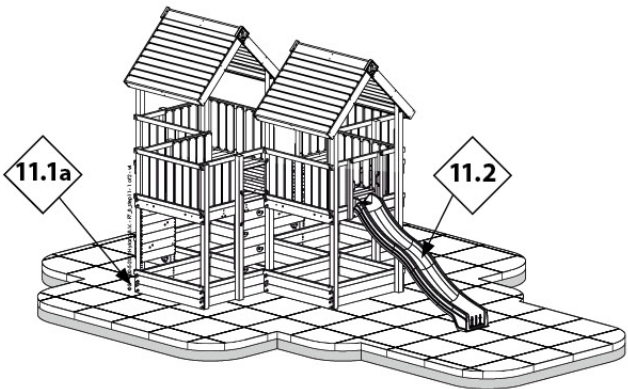
P5



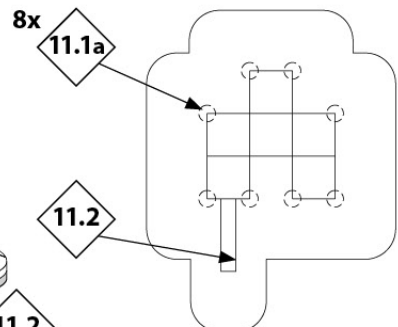
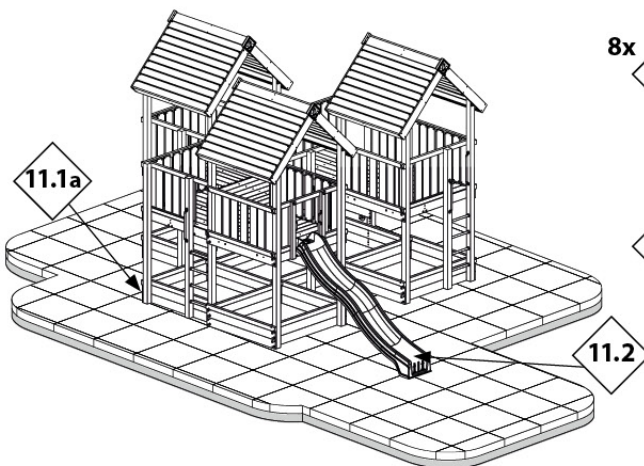
P6



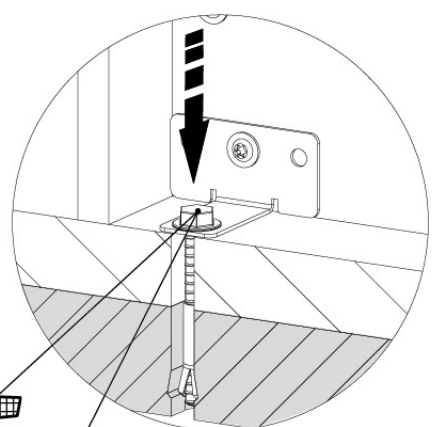
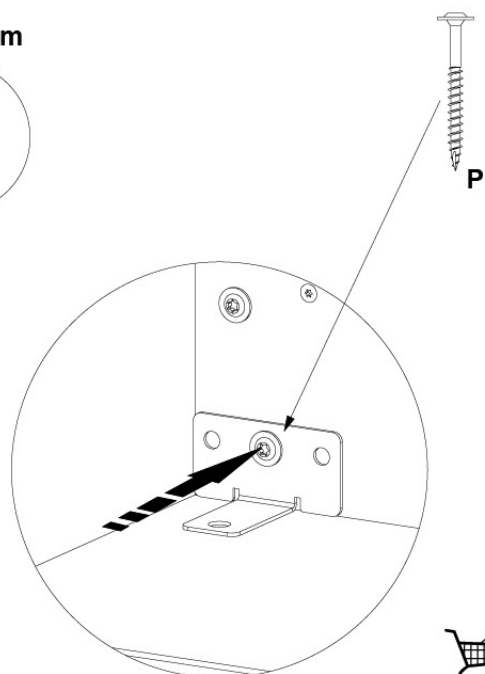
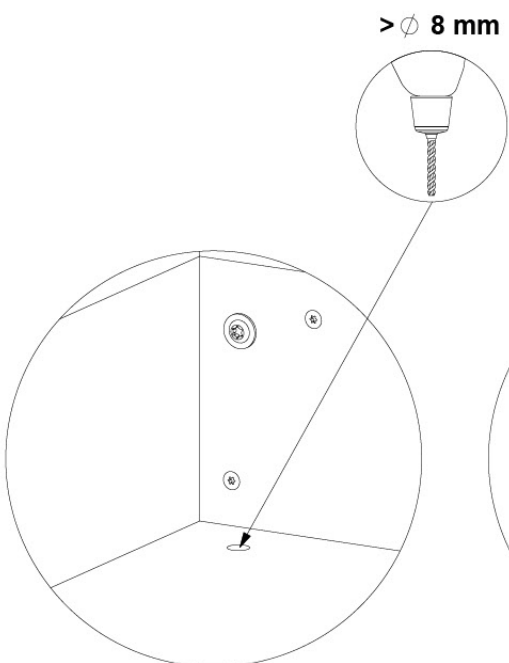
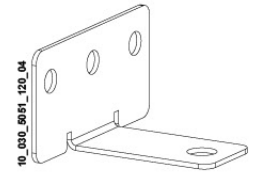
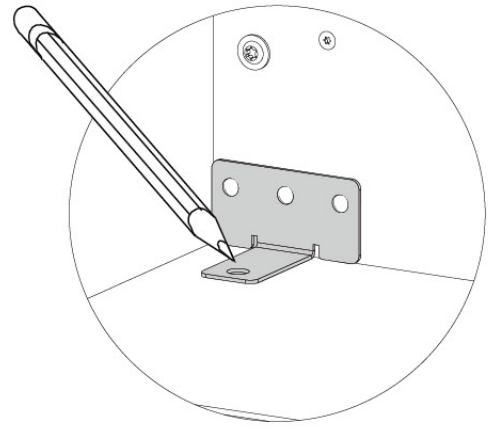
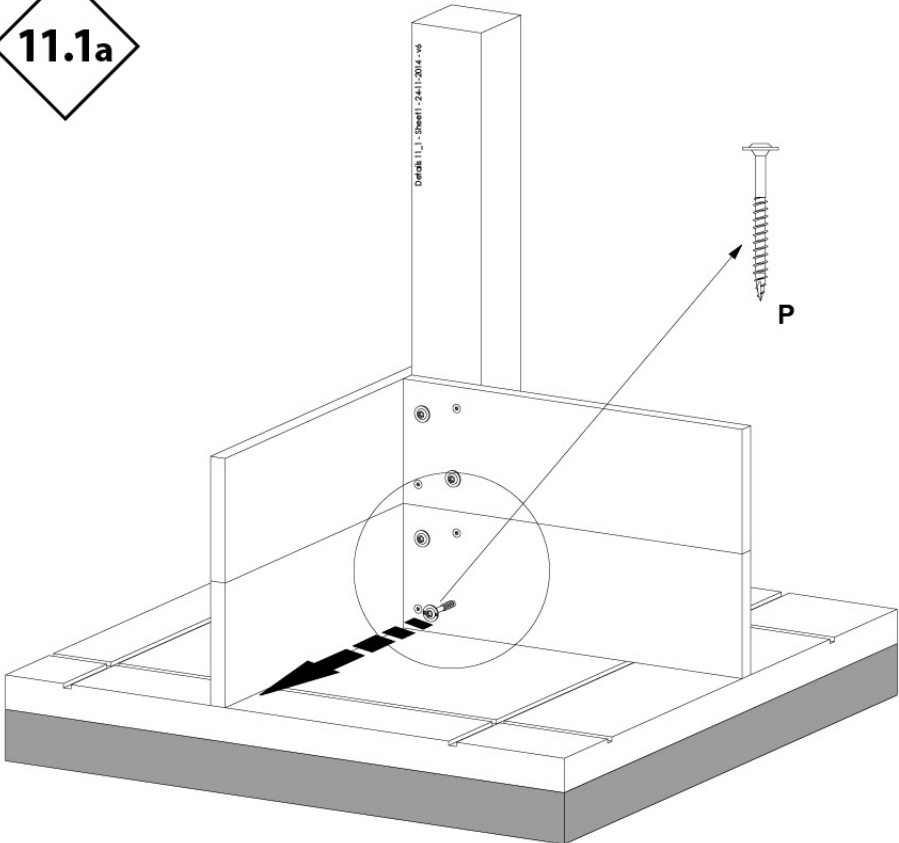
P7



P8



11.1a



i Part 1

HY-LAND
General & Safety
1
11.1a

11.2



**Polyethylene
Slide**



11.3

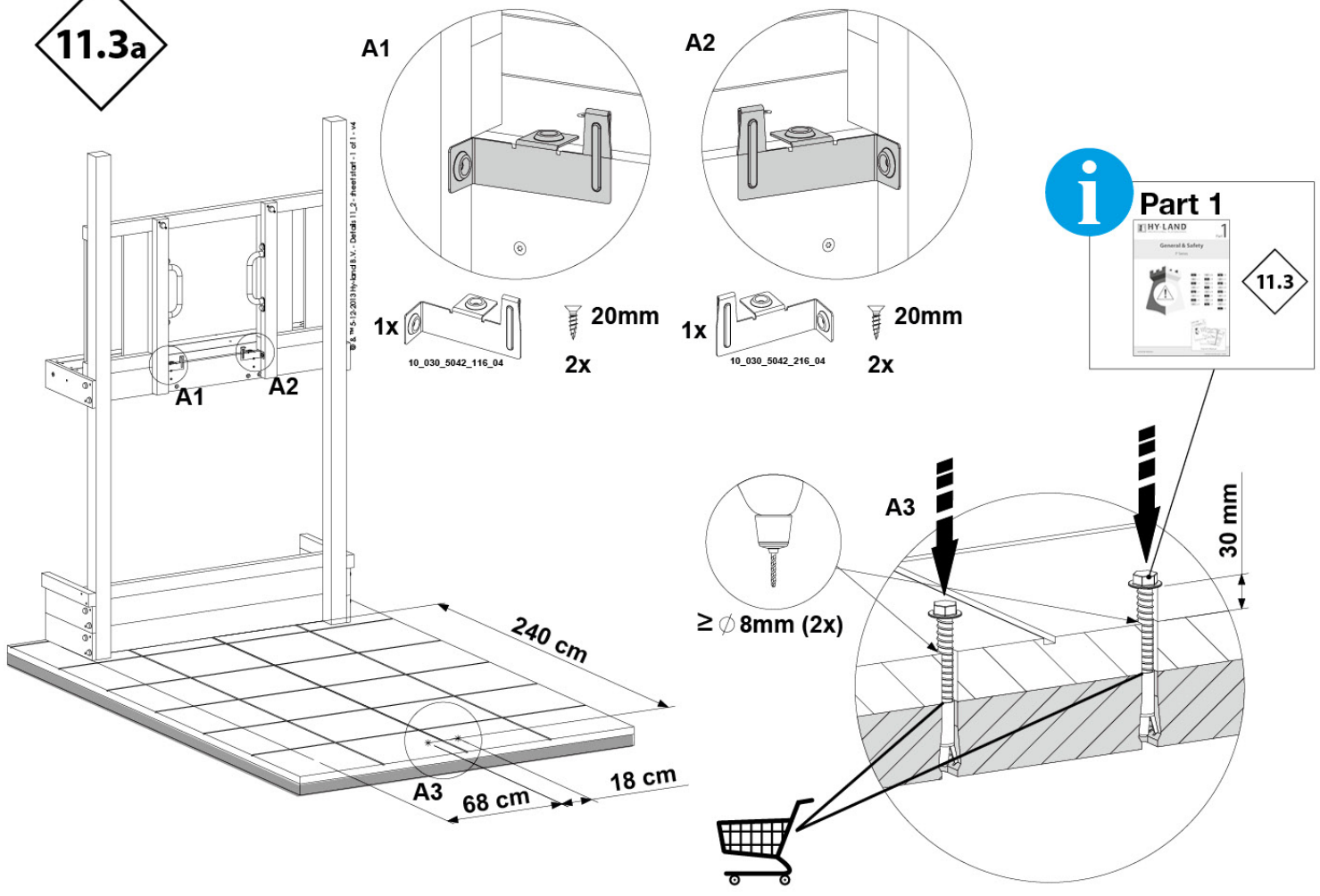


**Stainless Steel
Slide**

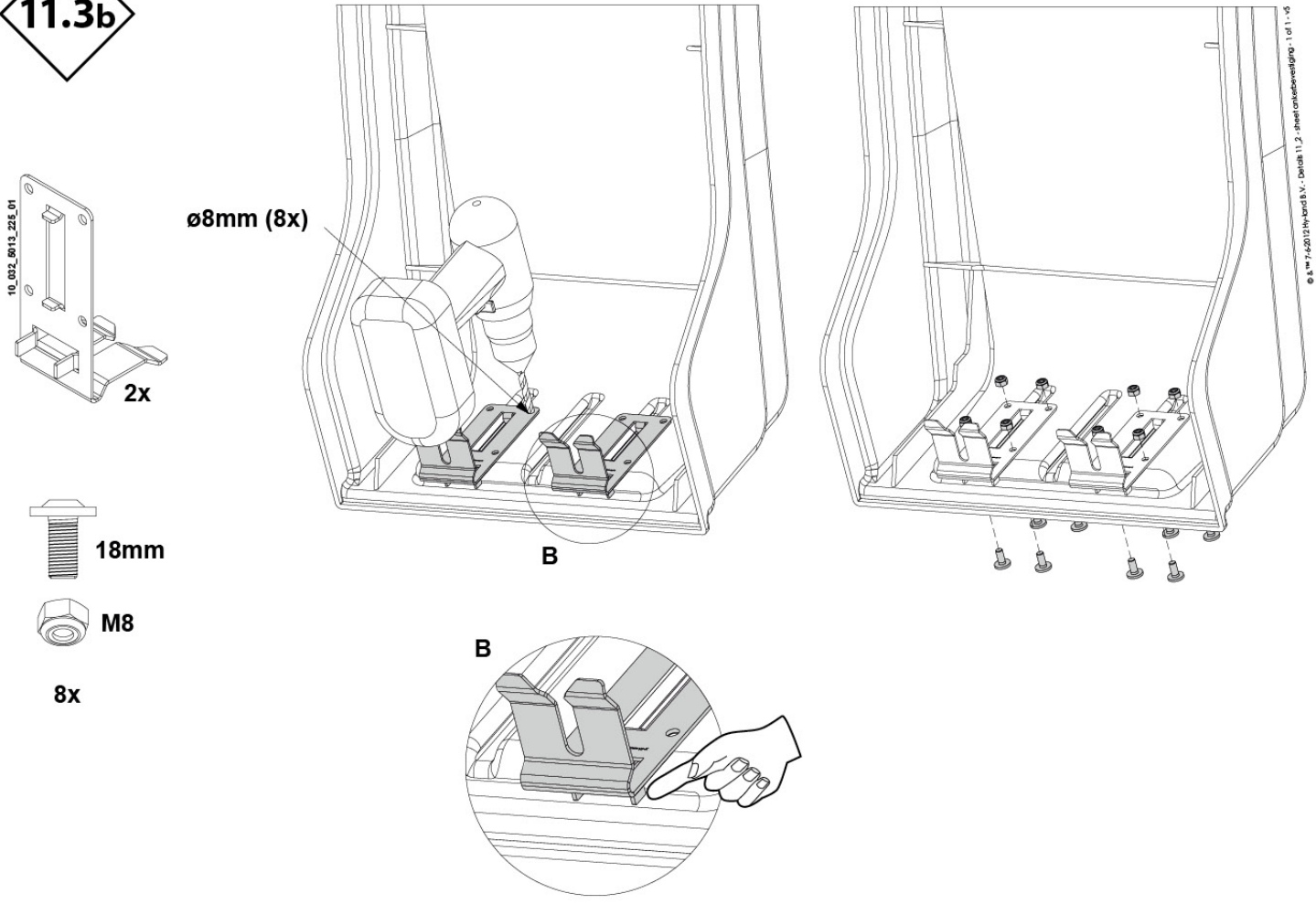


11.4

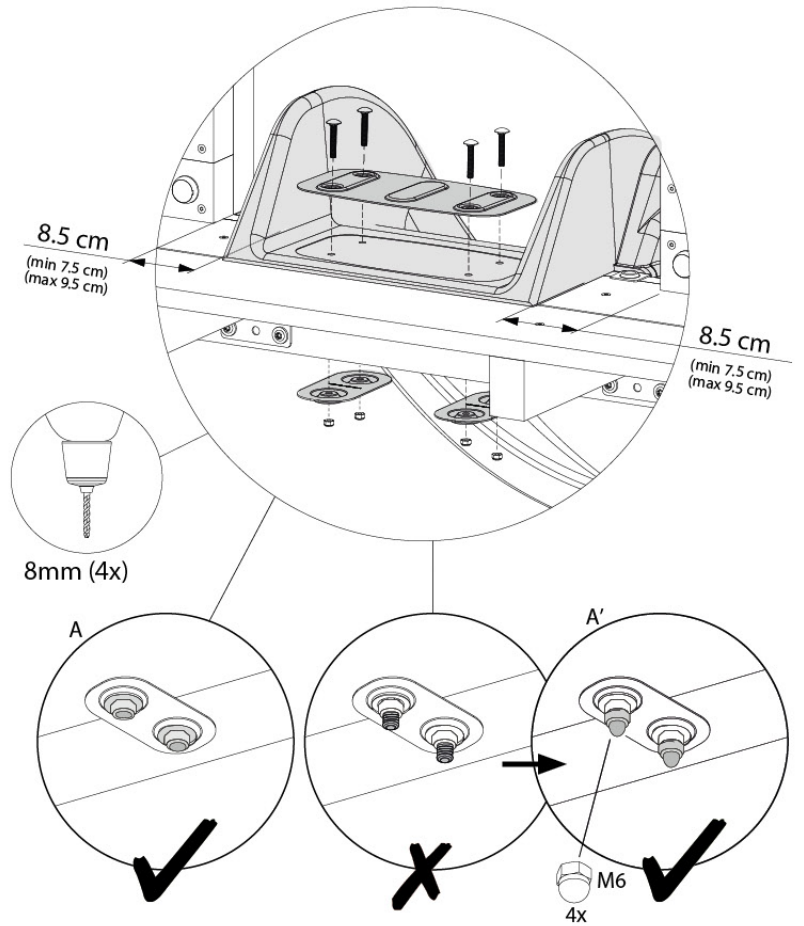
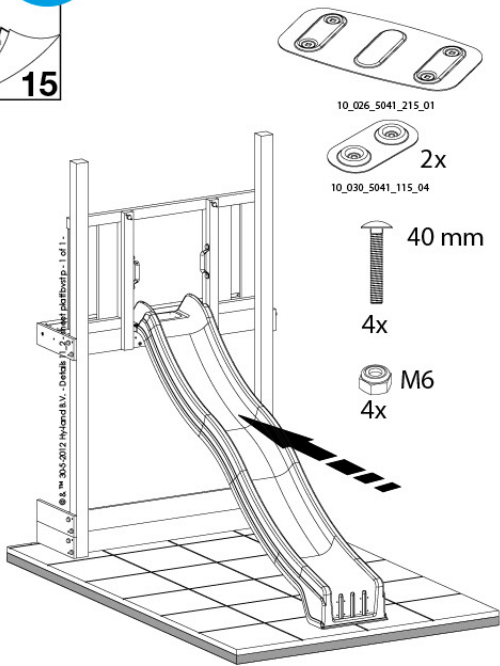
11.3a



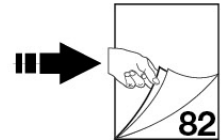
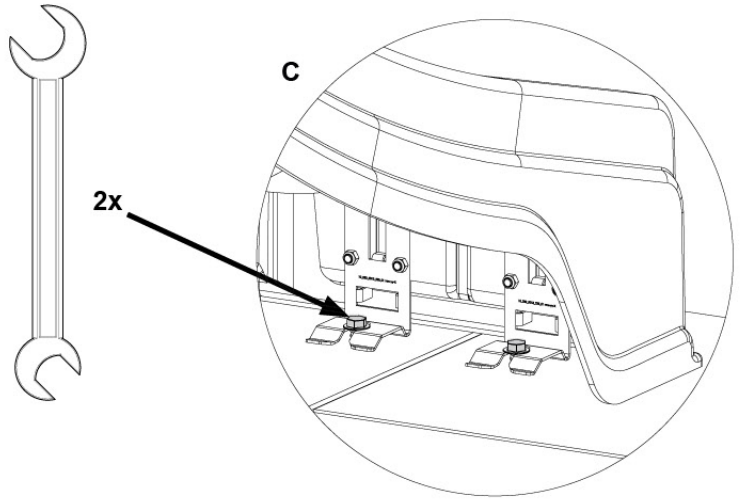
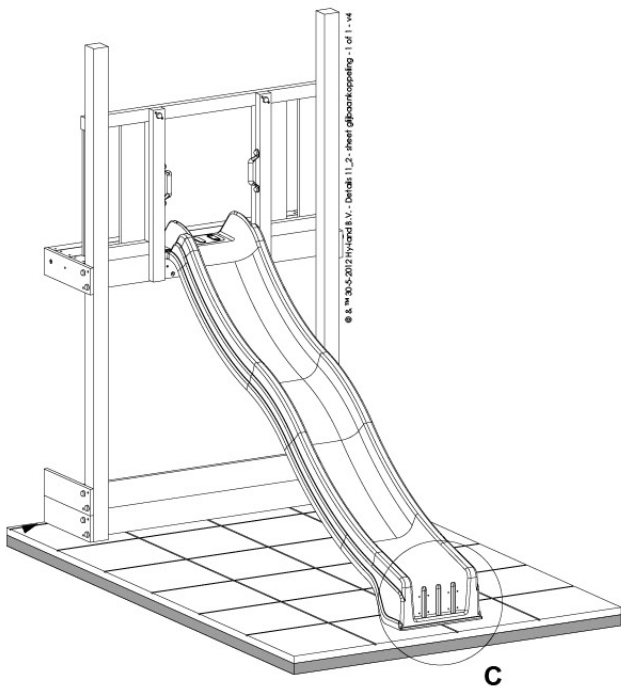
11.3b



11.3c

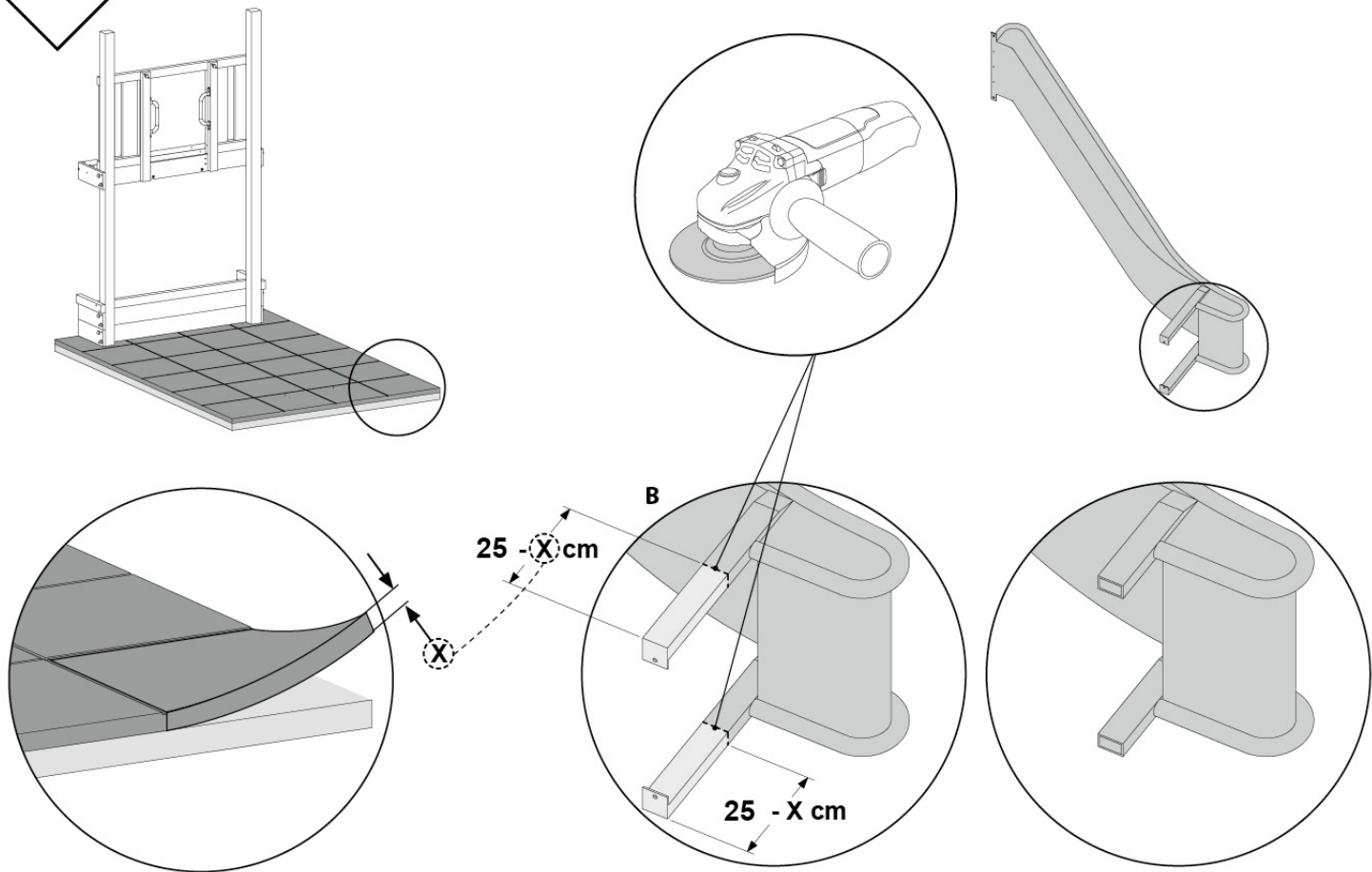


11.3d

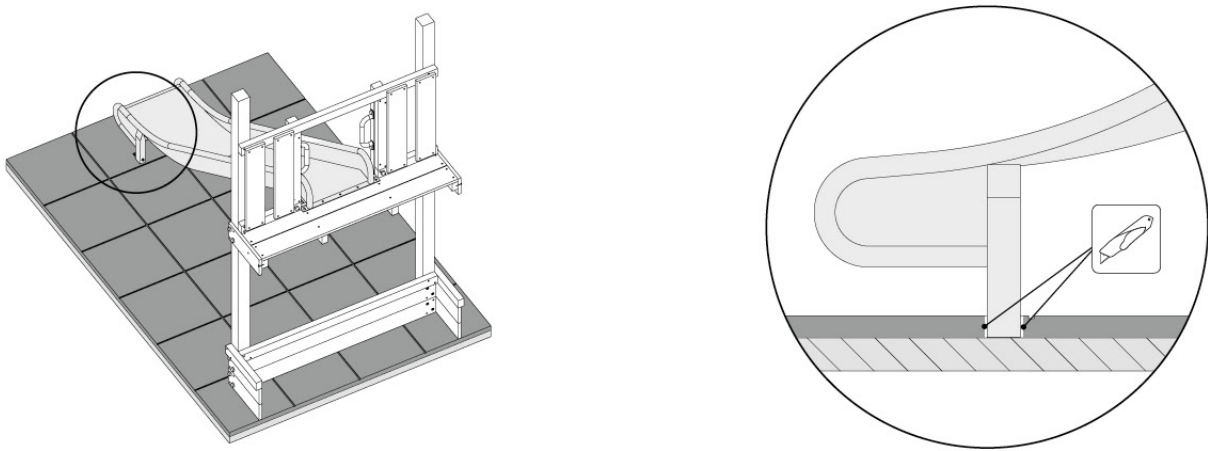


12

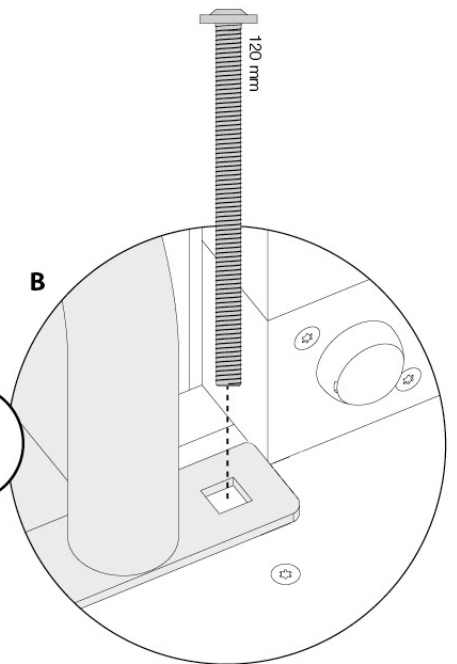
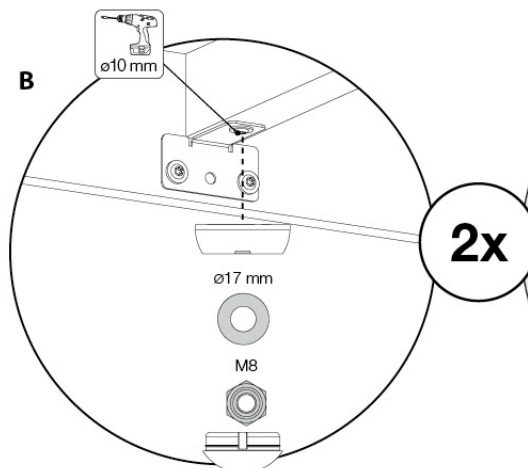
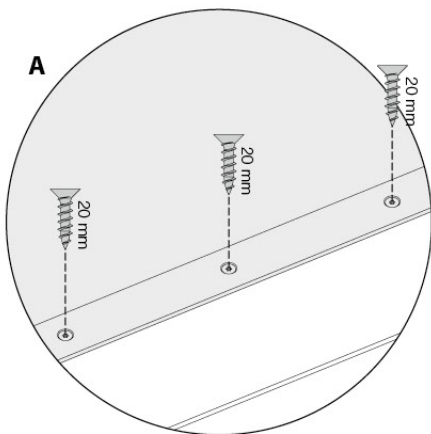
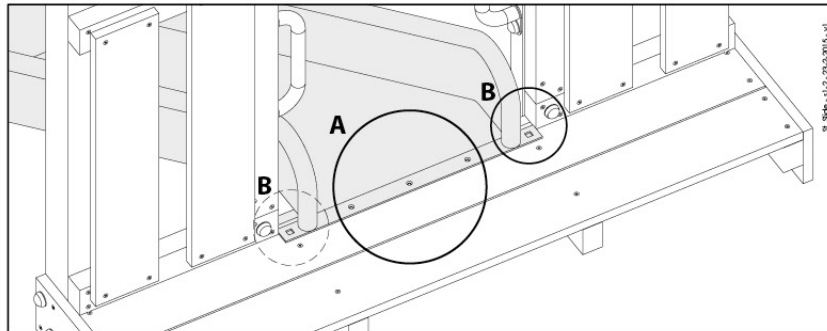
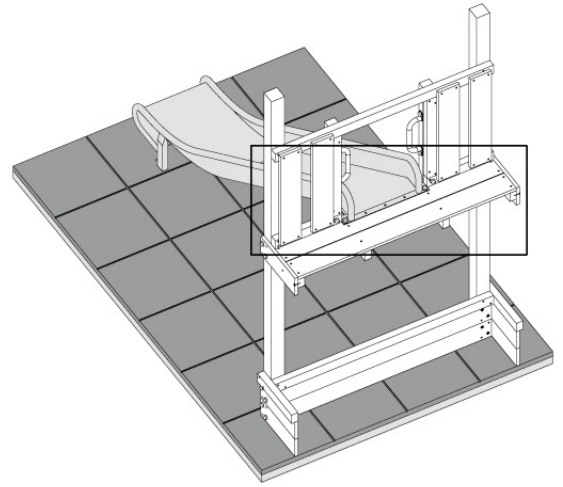
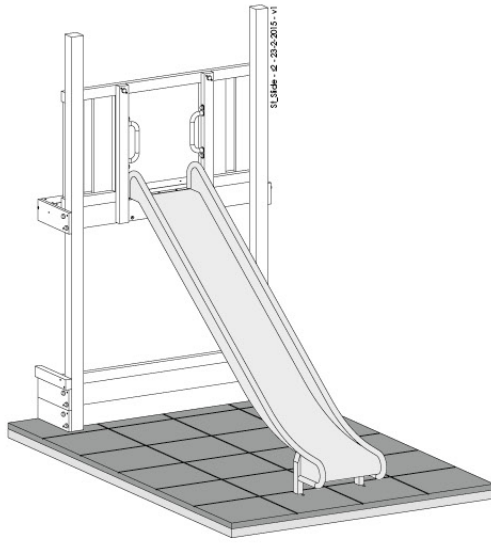
11.4a



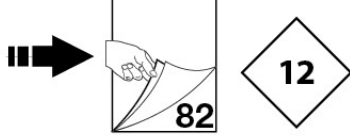
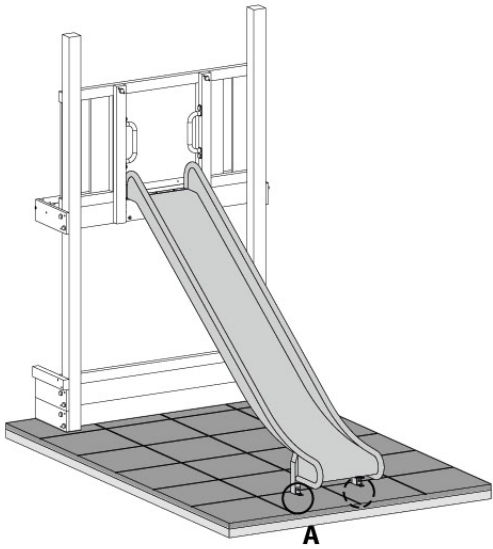
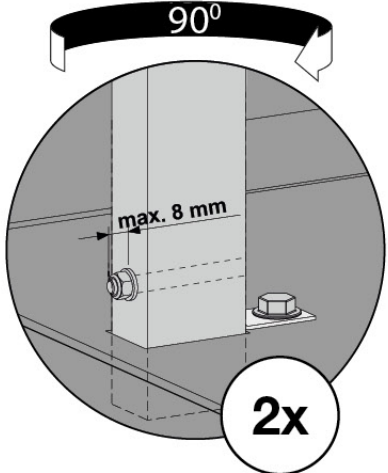
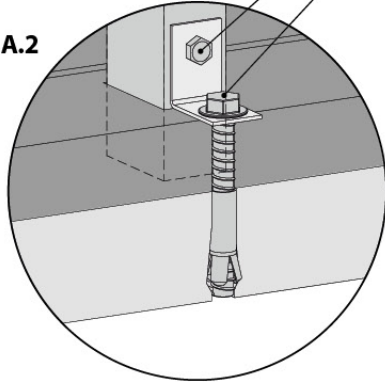
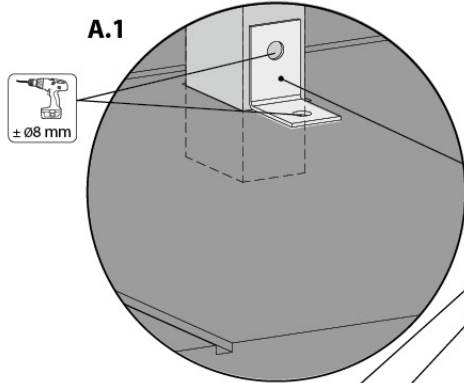
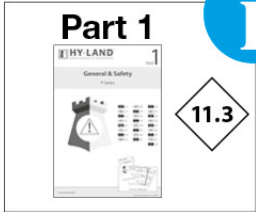
11.4a



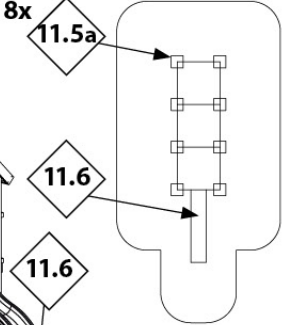
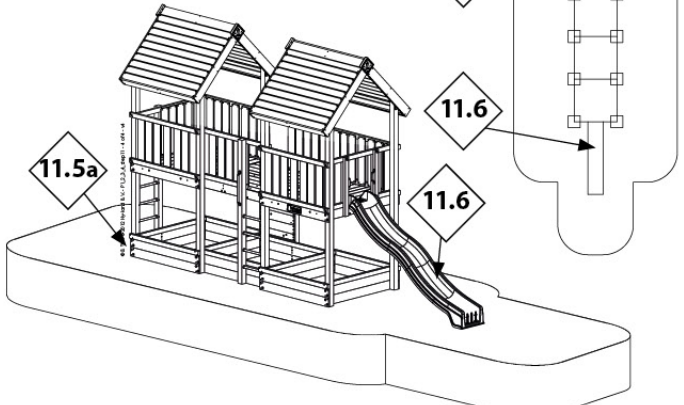
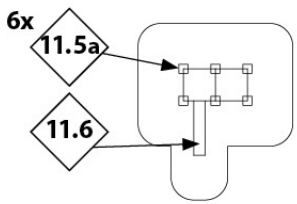
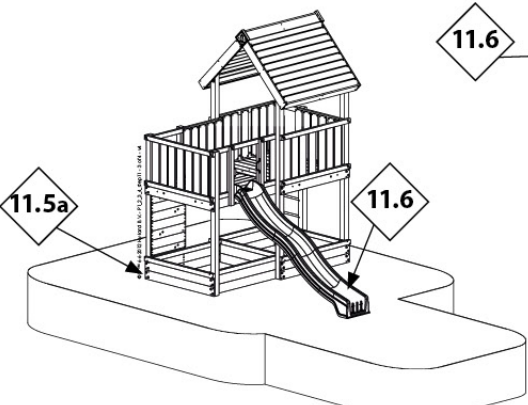
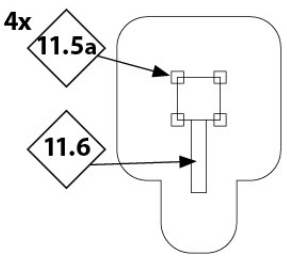
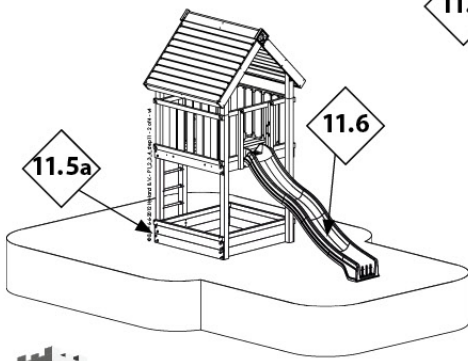
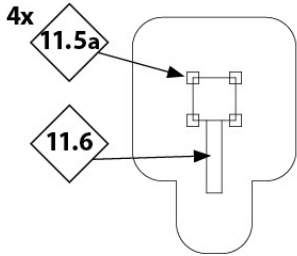
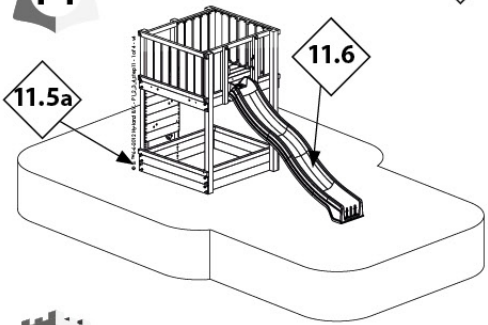
11.4c



11.4d

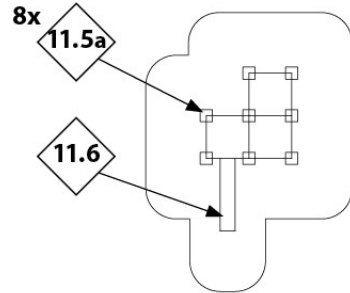
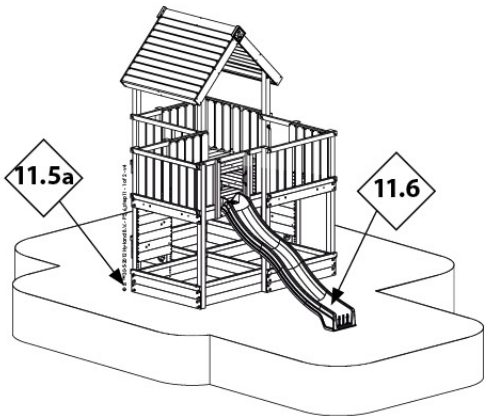


11.5

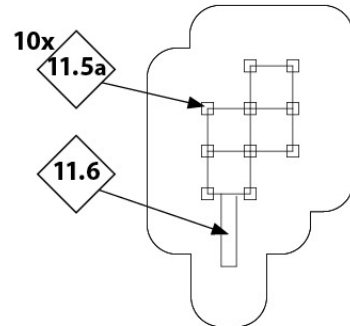
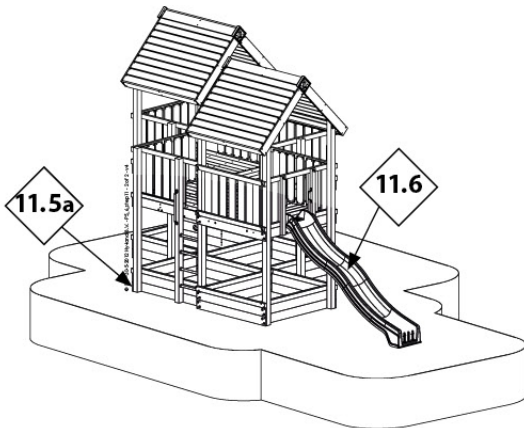


11.5

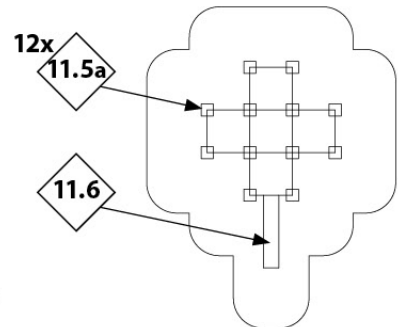
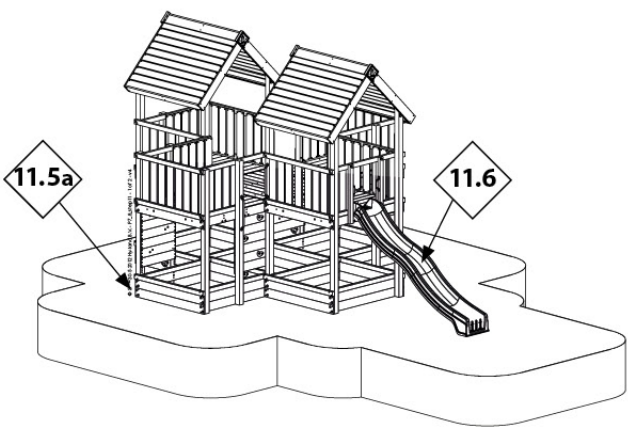
P5



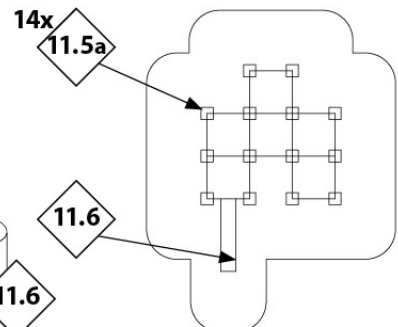
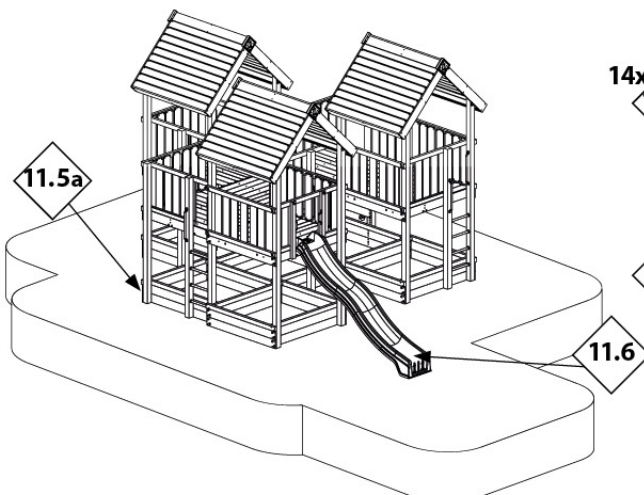
P6



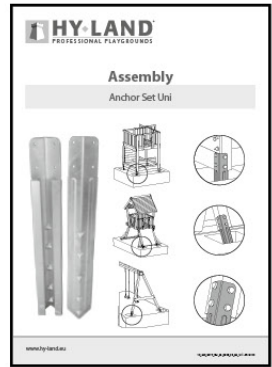
P7



P8



11.5a



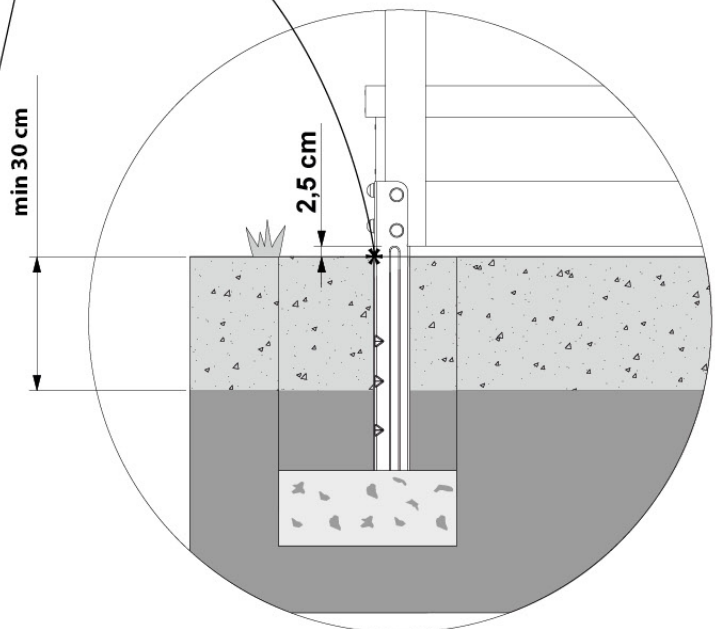
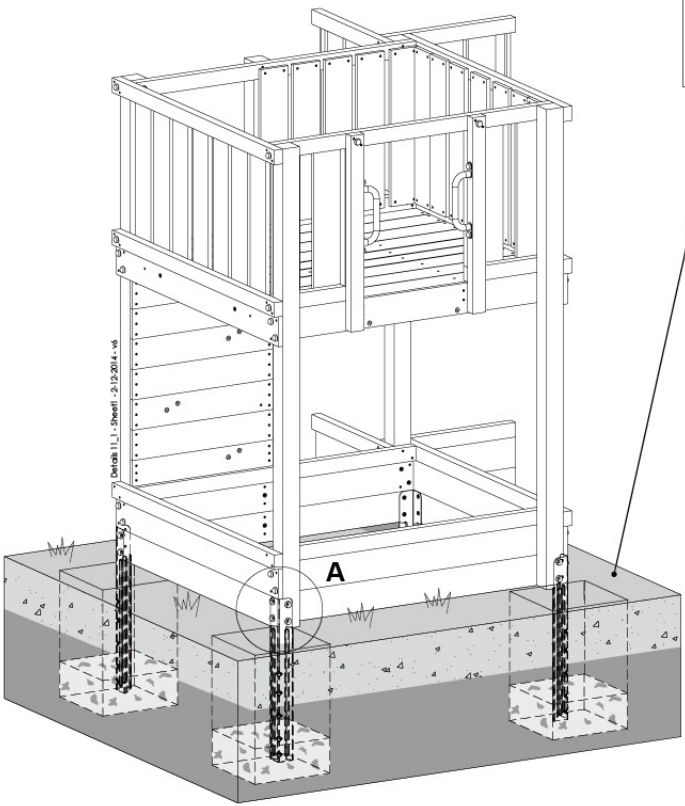
10_460_0619_103_26



Part 1



11.5a



11.6



Polyethylene Slide

Stainless Steel Slide

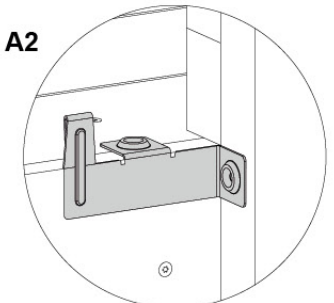
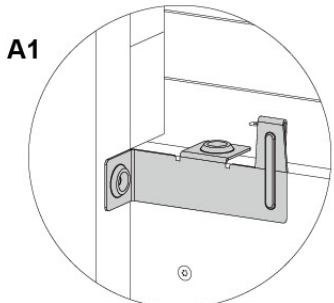
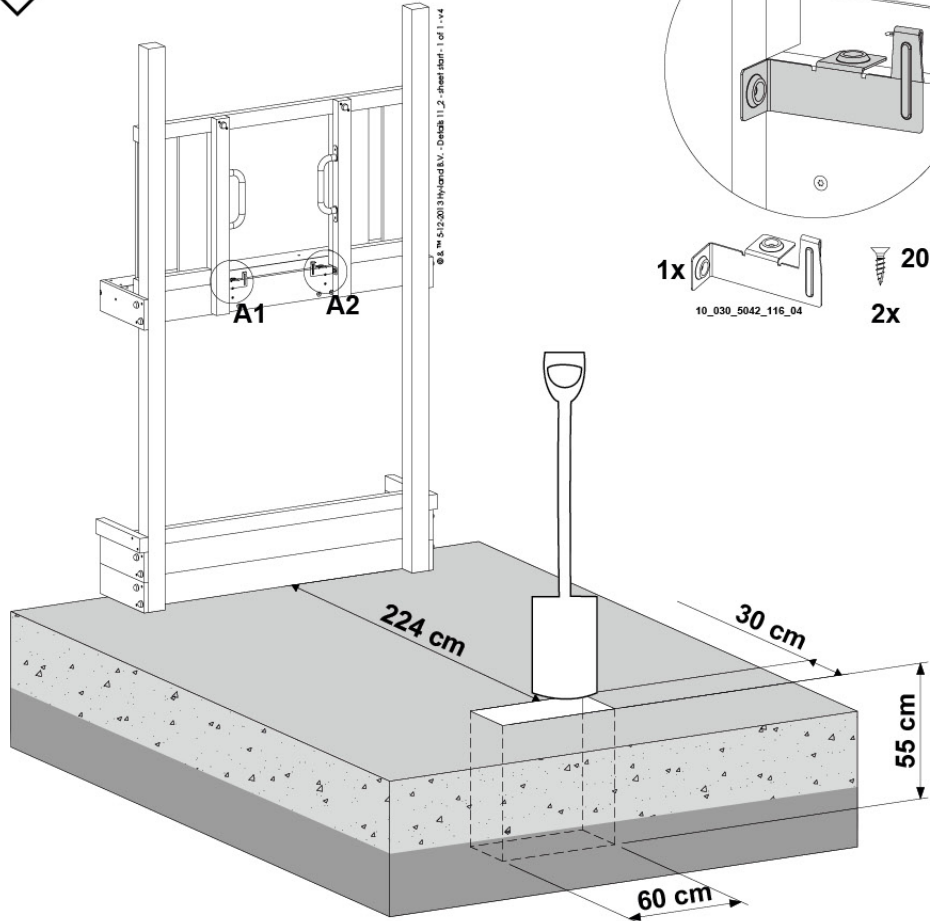


11.7



11.8

11.7a



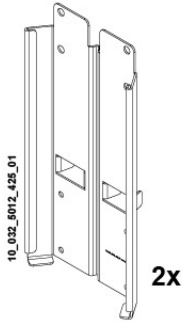
1x 10_030_5042_116_04 2x 20mm

1x 10_030_5042_216_04 2x 20mm

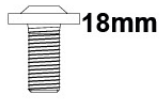
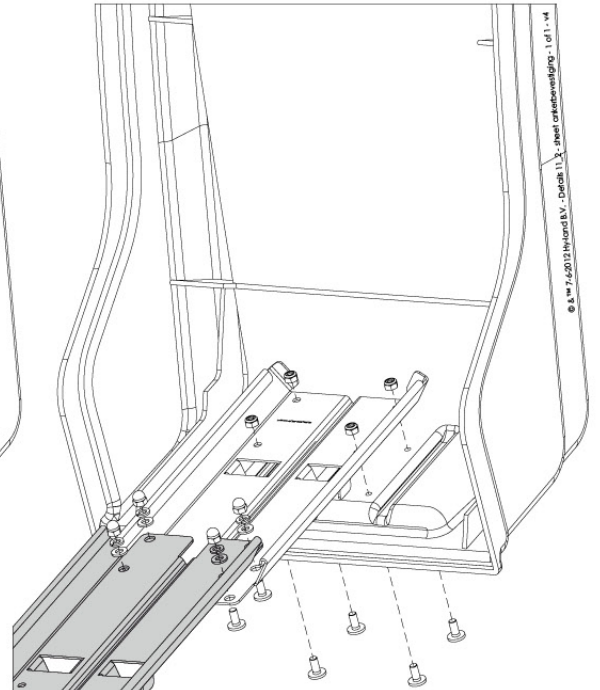
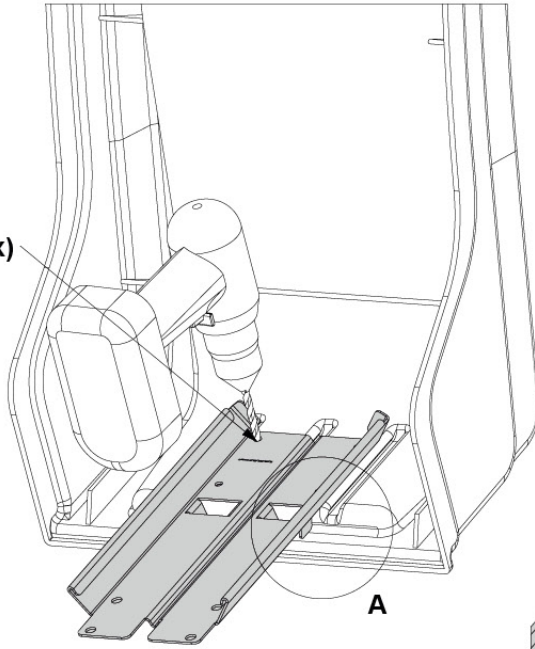
i Part 1

11.7

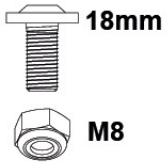
11.7b



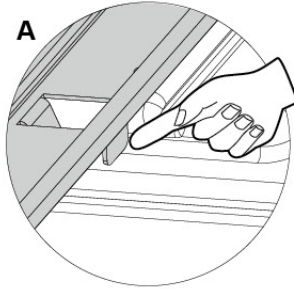
ø8mm (4x)



4x



4x



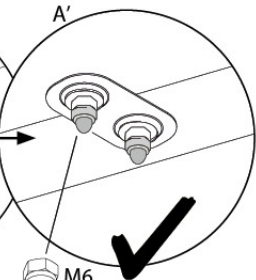
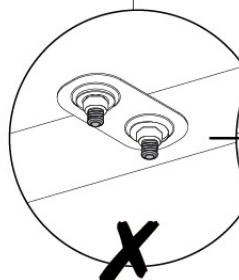
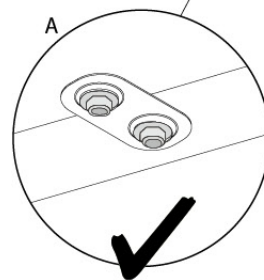
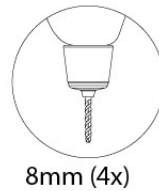
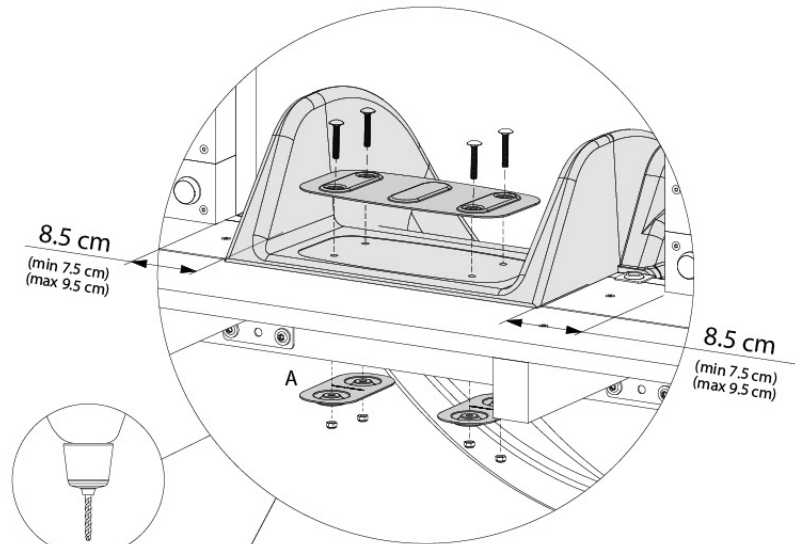
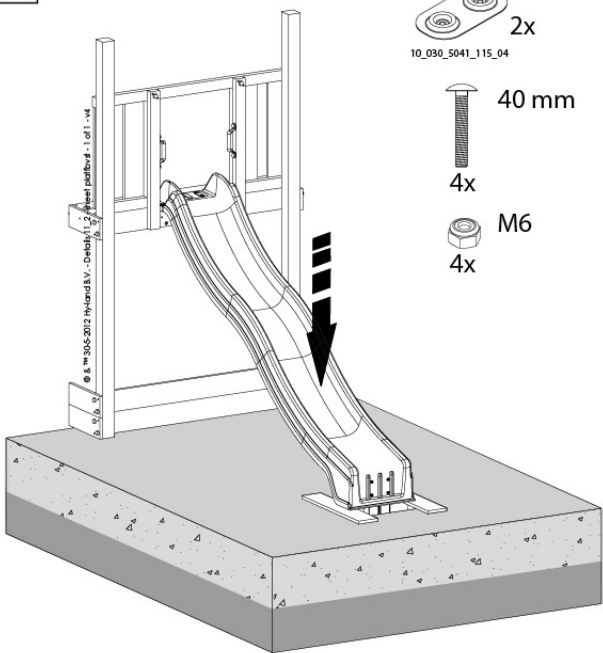
11.7c



40 mm

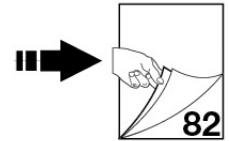
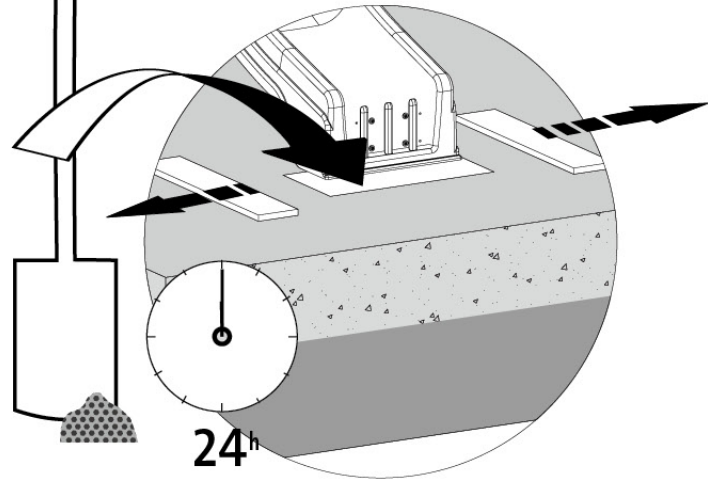
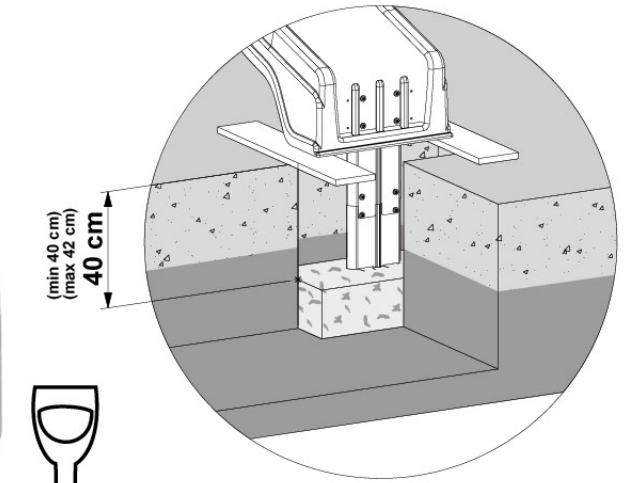
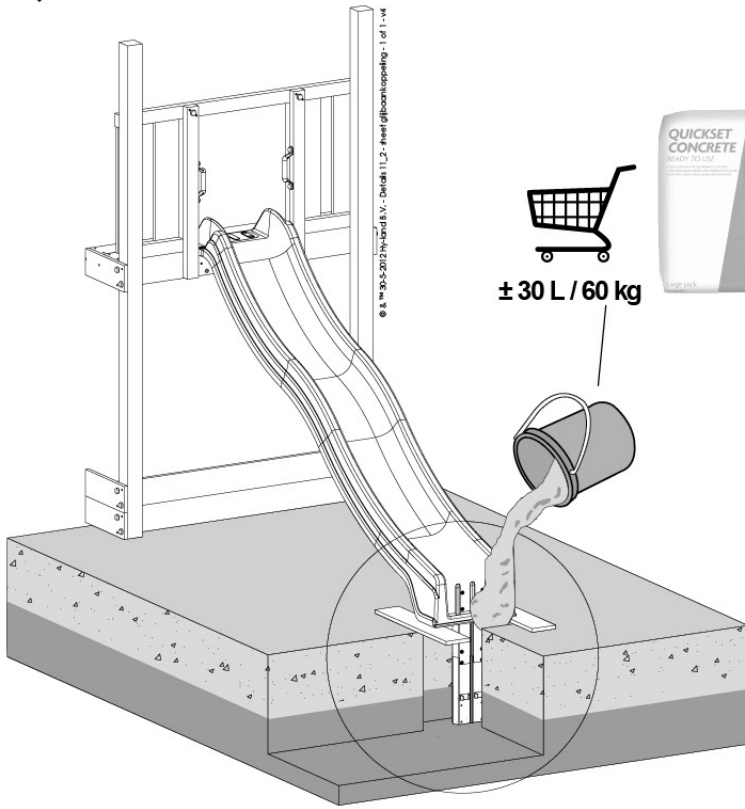


4x



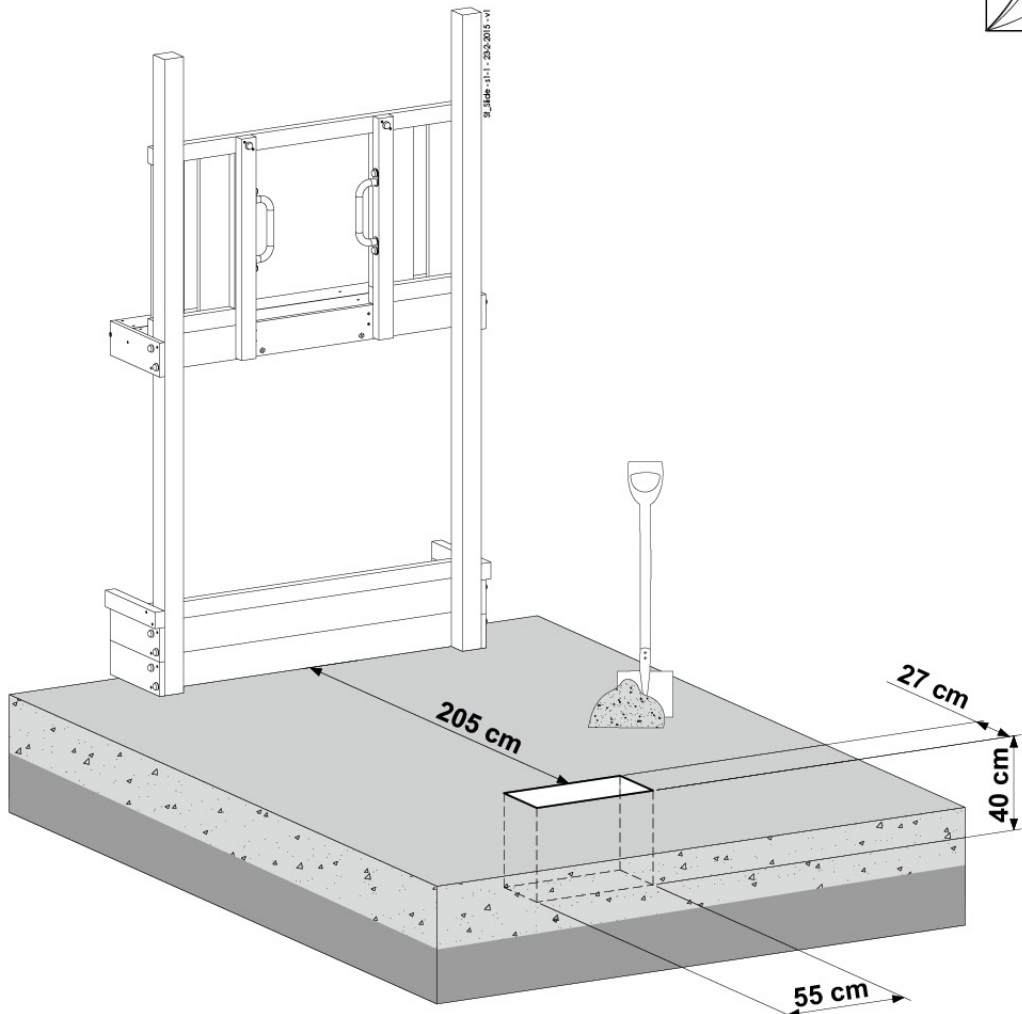
M6
4x

11.7d

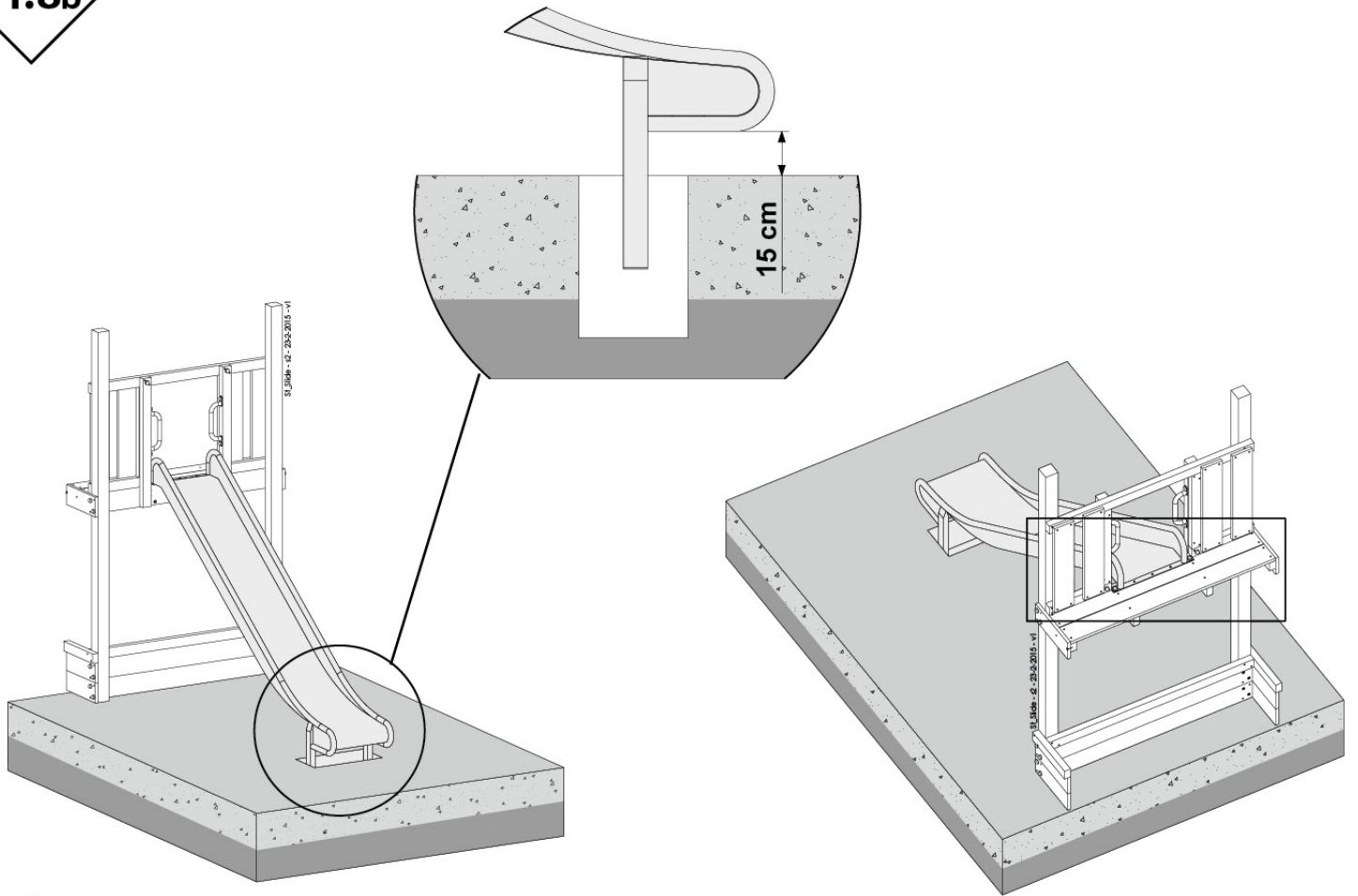


12

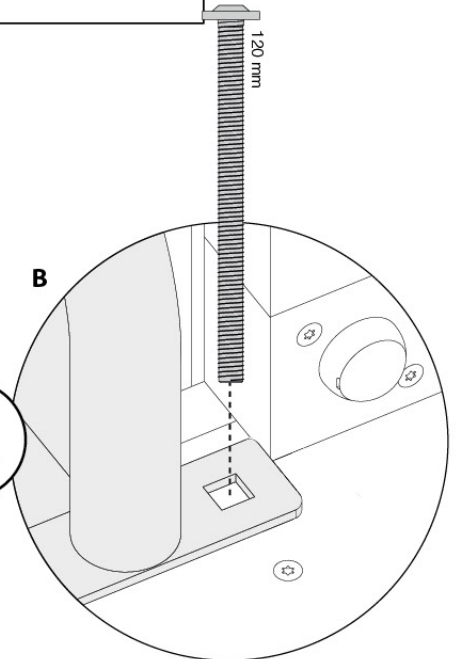
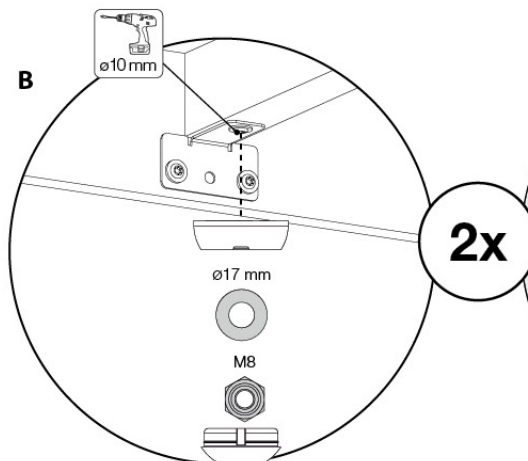
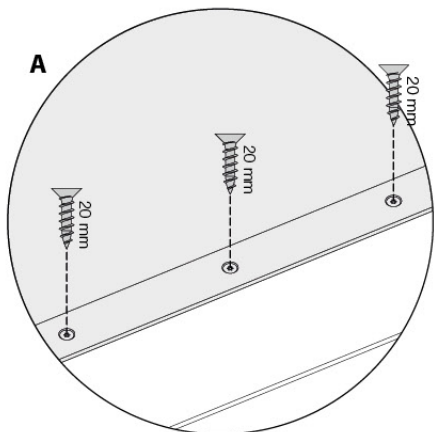
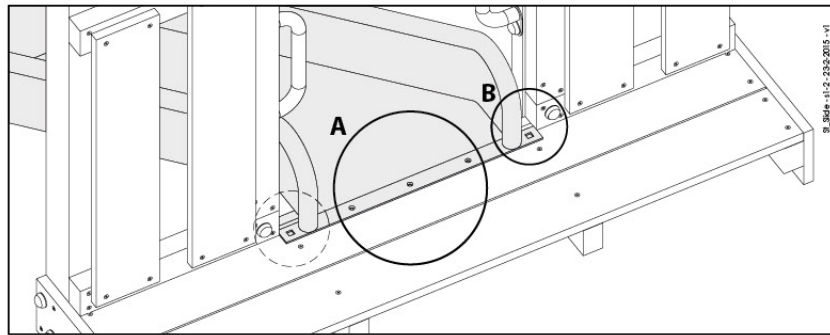
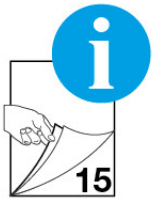
11.8a



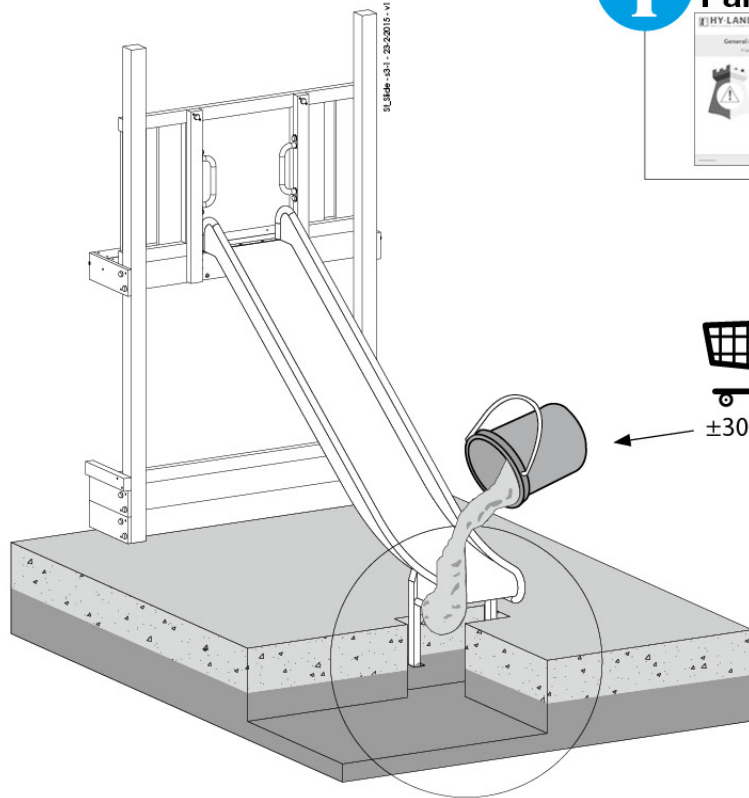
11.8b



11.8c



11.8d

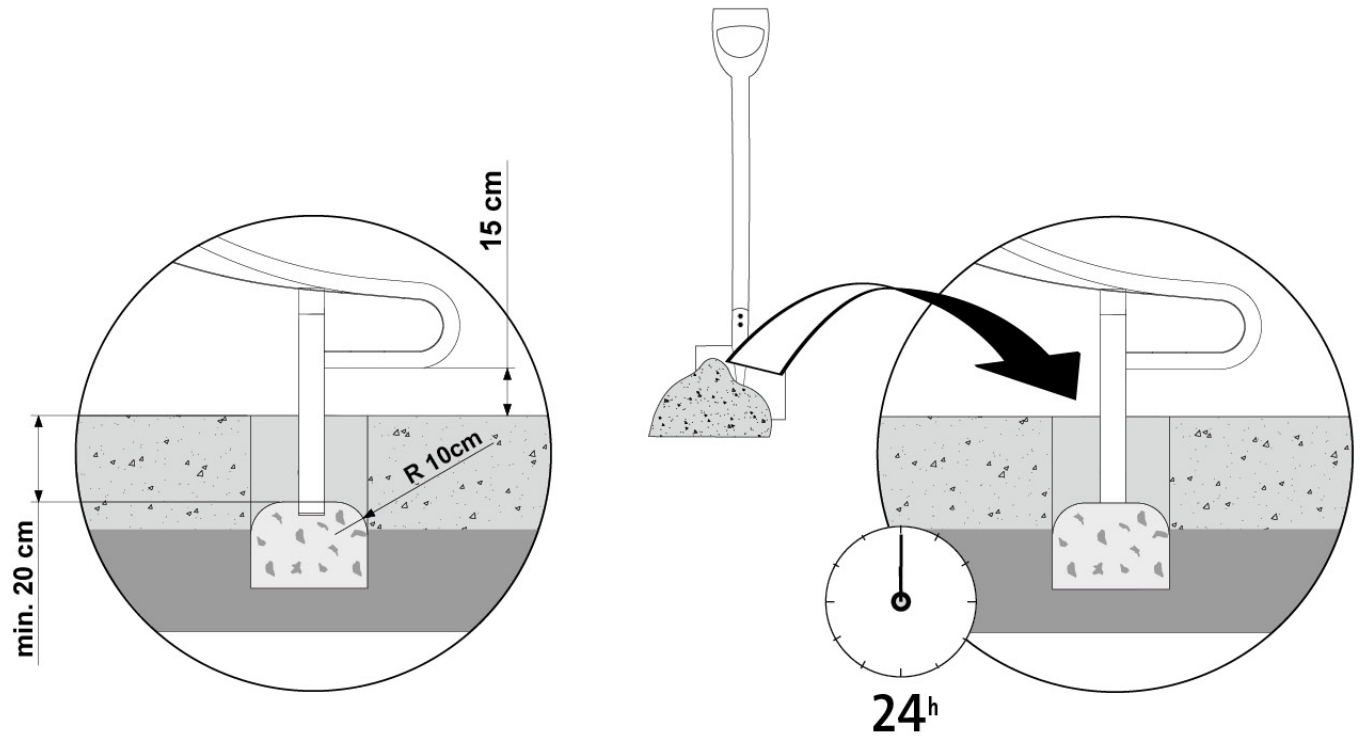


i Part 1

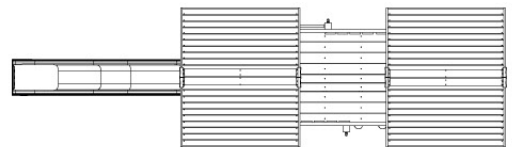
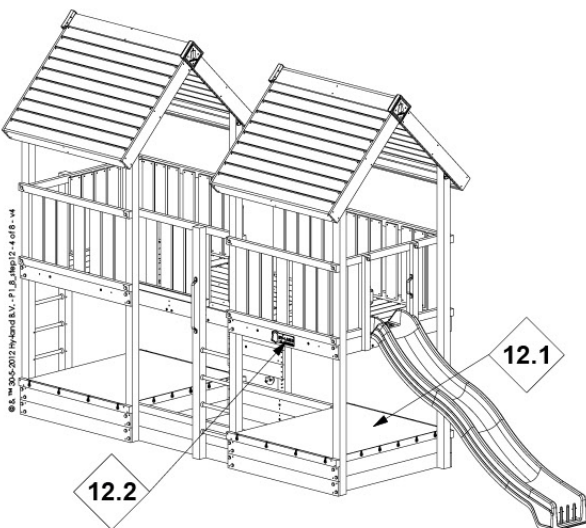
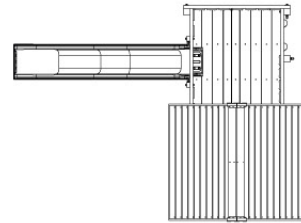
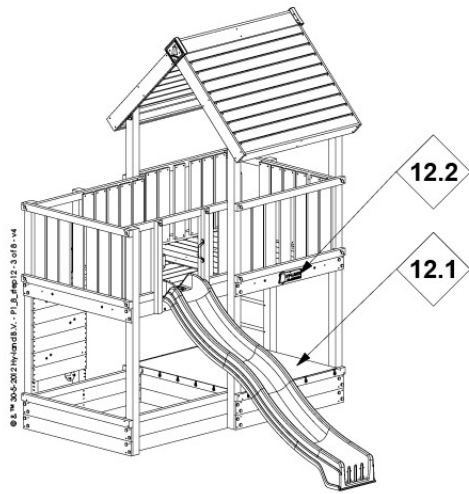
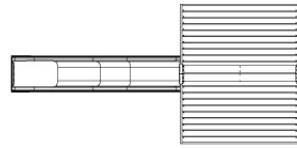
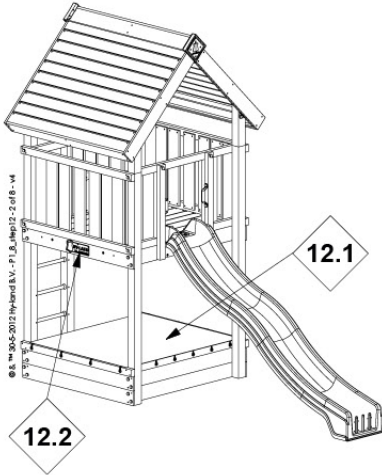
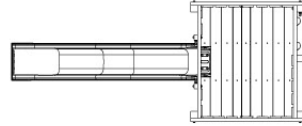
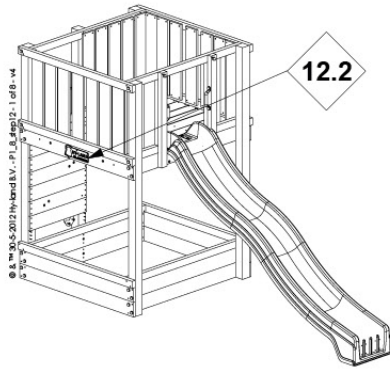
11.7



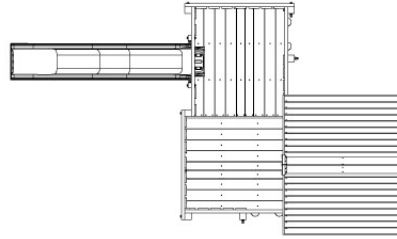
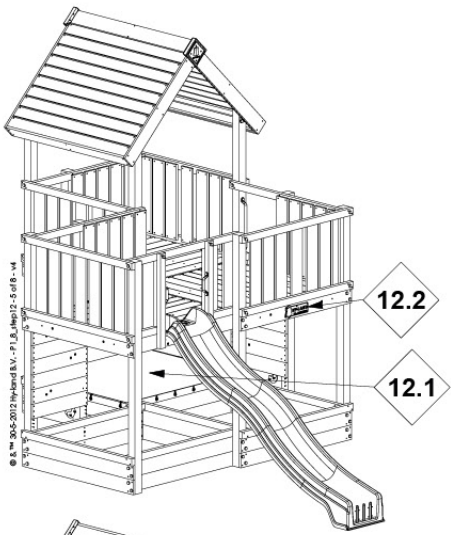
11.8e



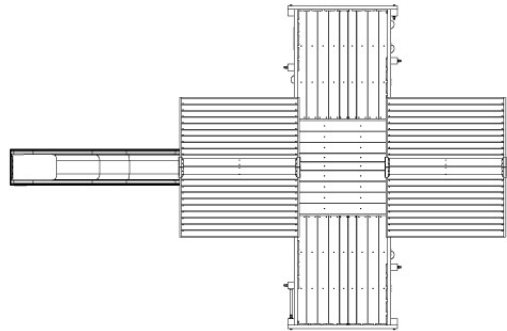
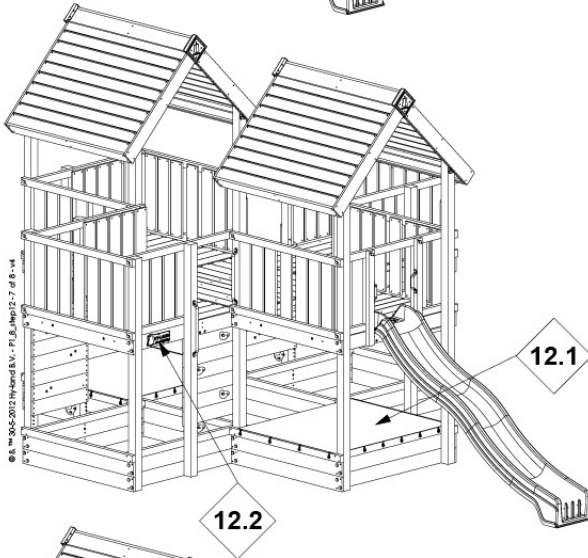
12



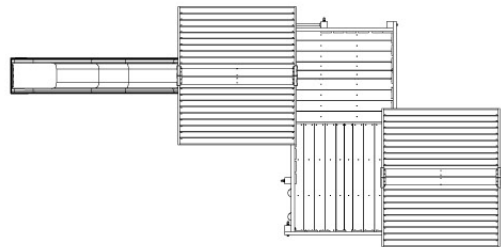
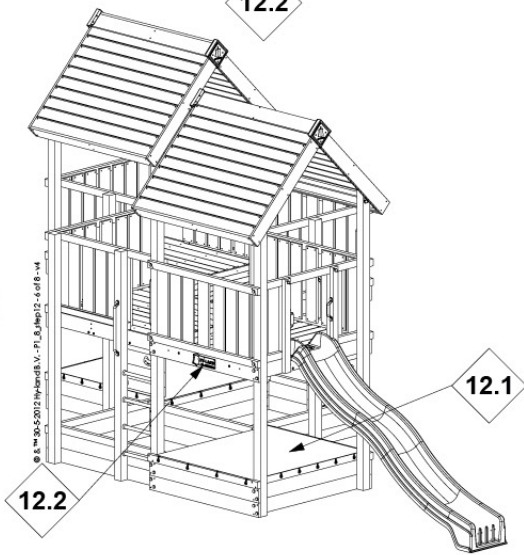
5



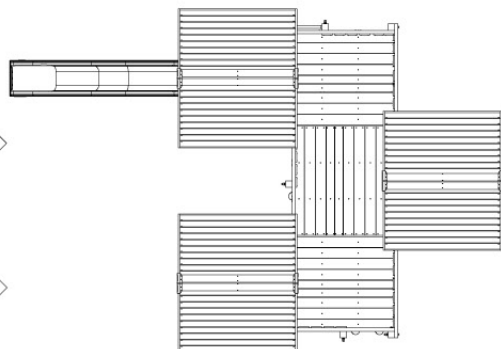
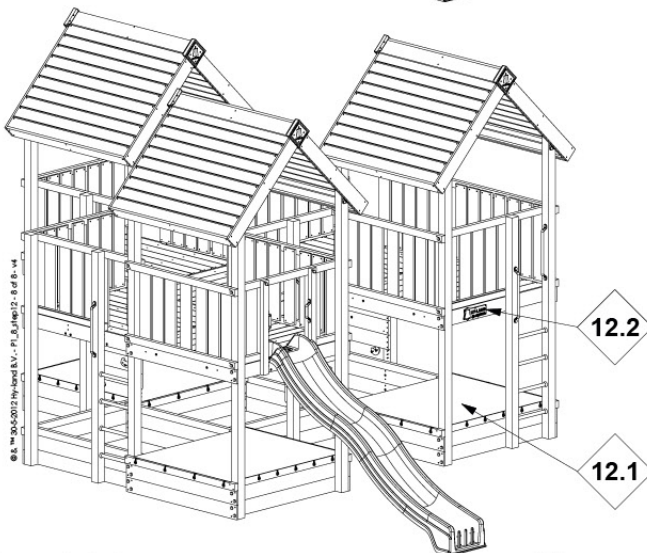
6



7



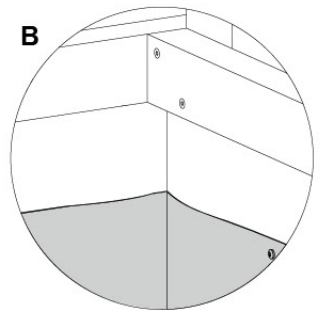
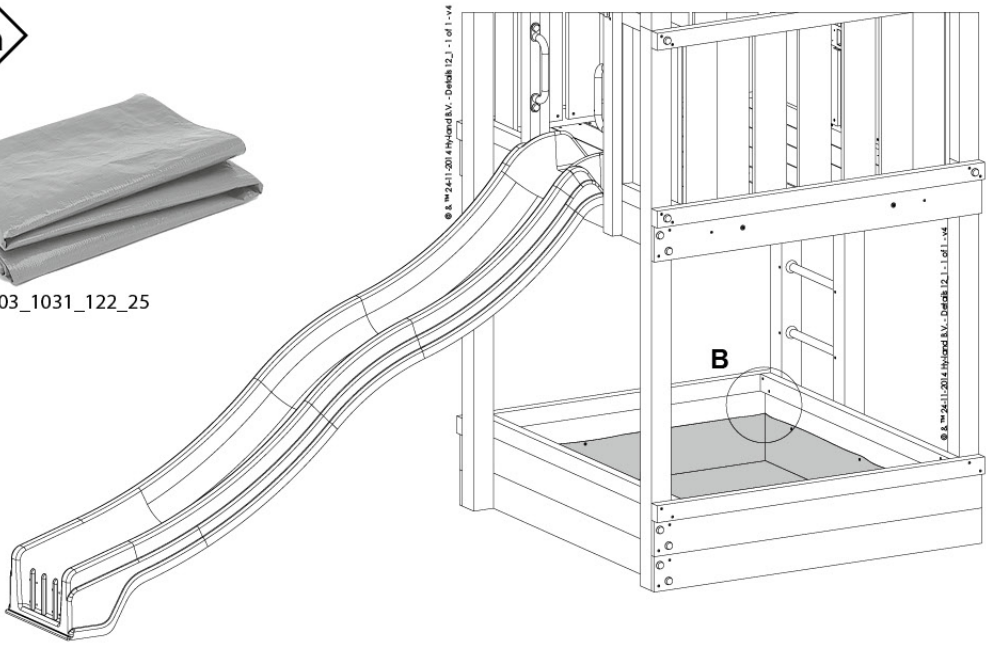
8



12.1a



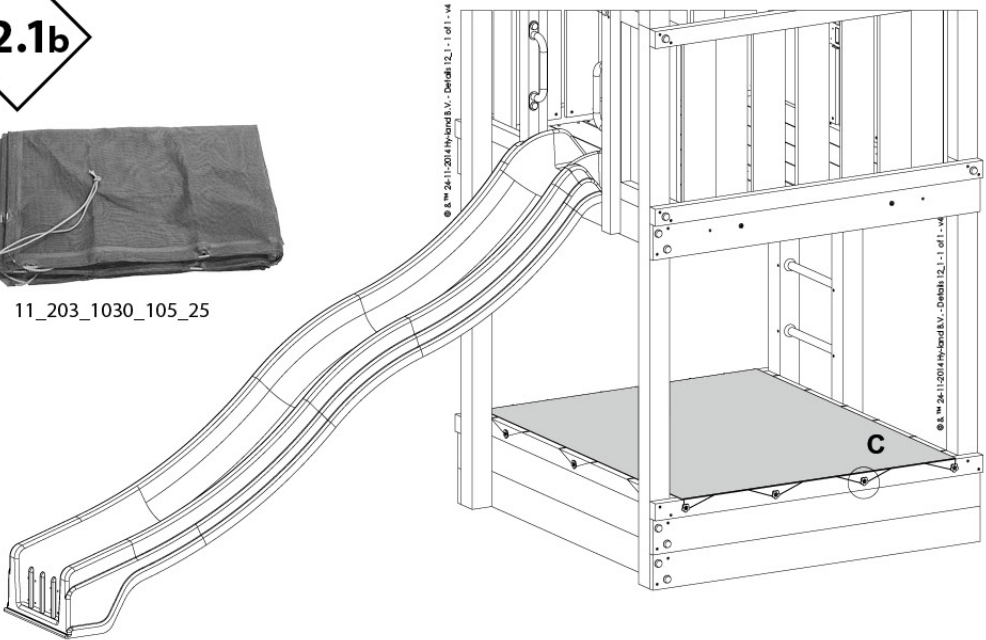
11_203_1031_122_25



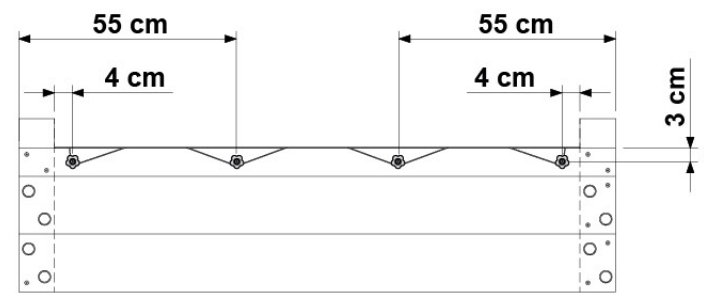
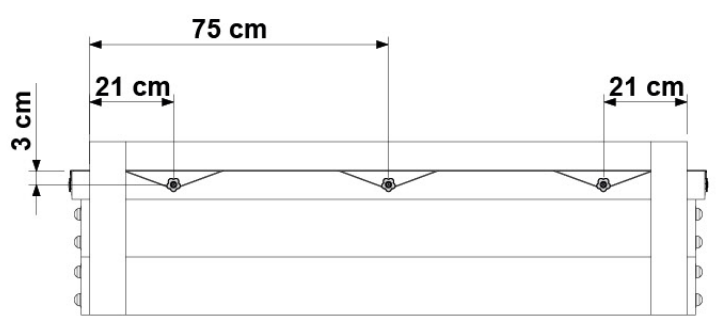
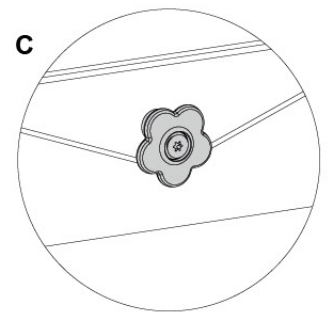
12.1b



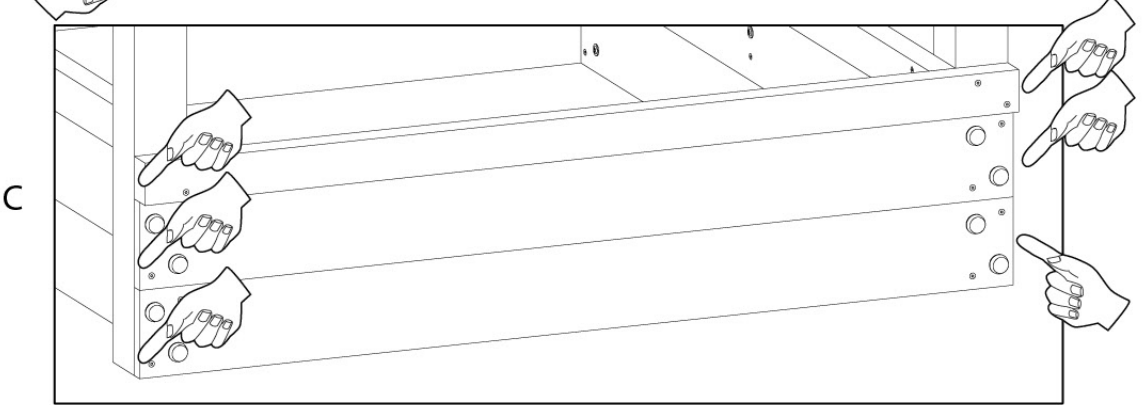
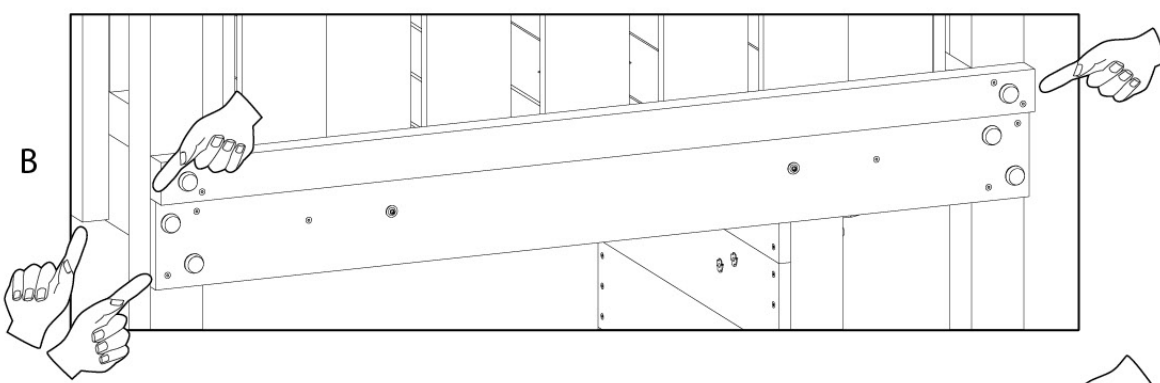
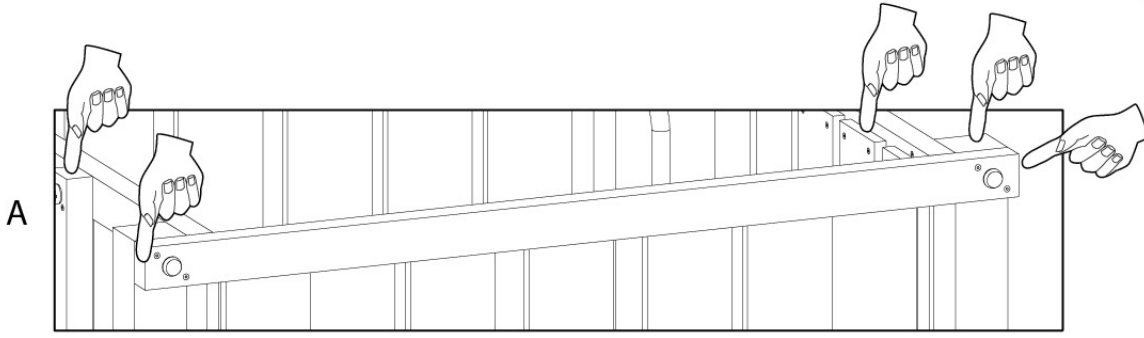
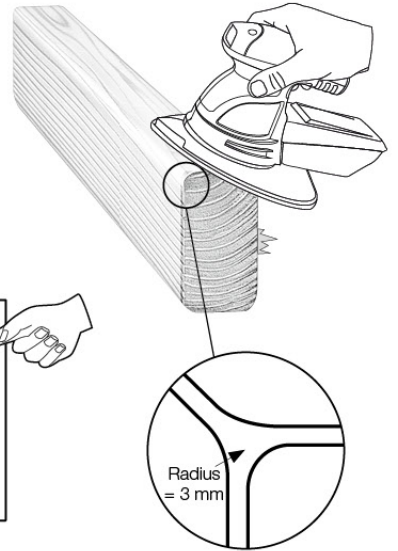
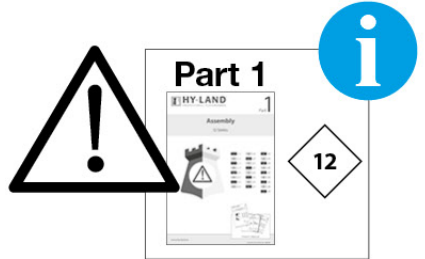
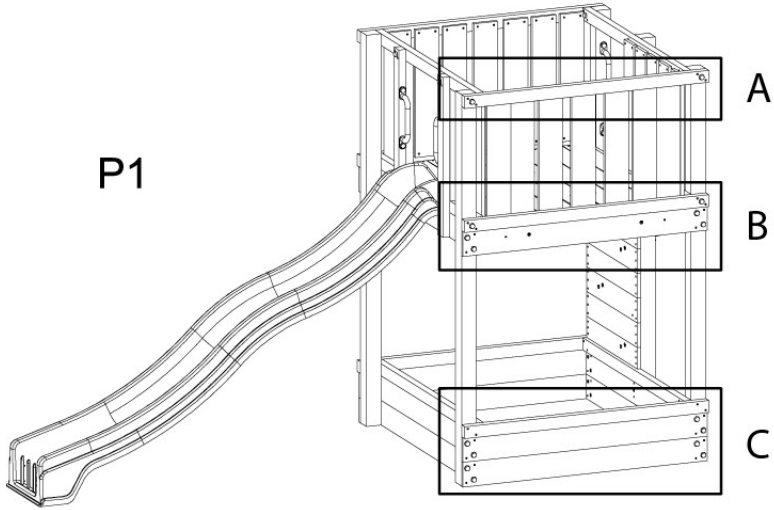
11_203_1030_105_25



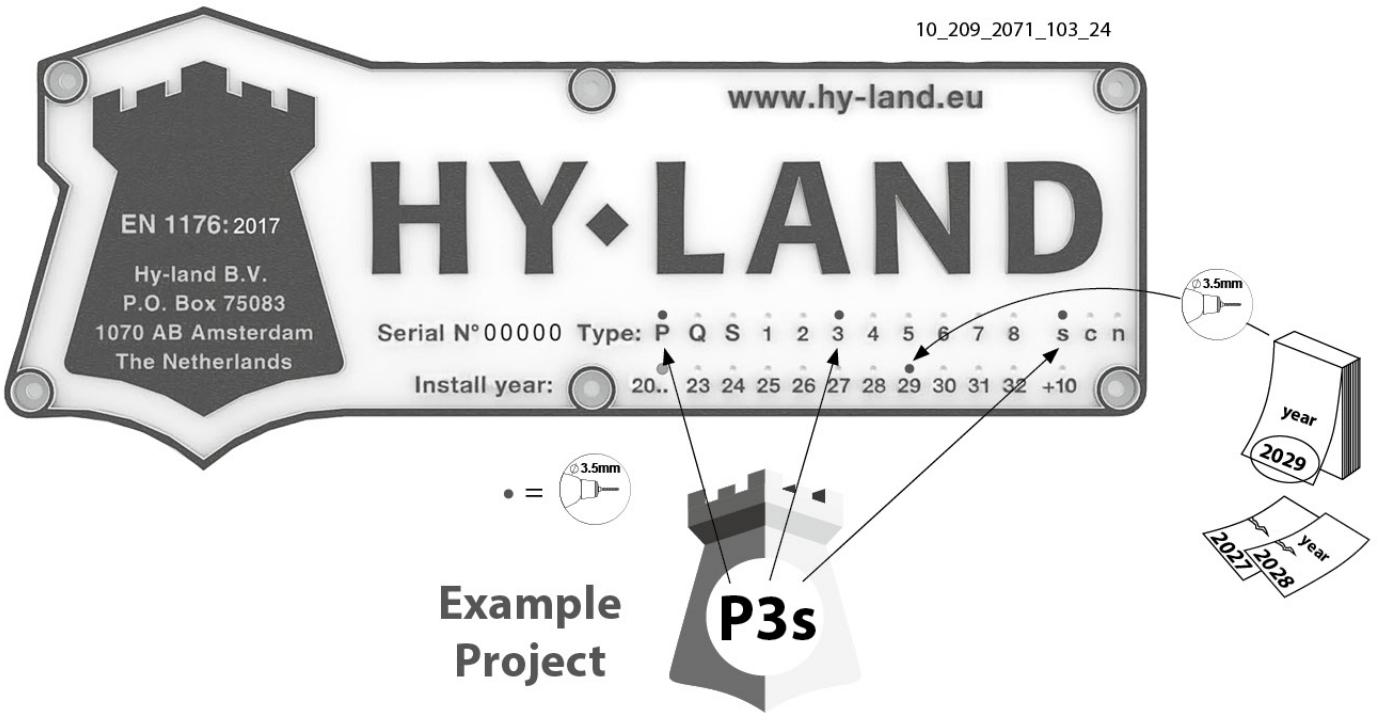
10_201_2075_205_04



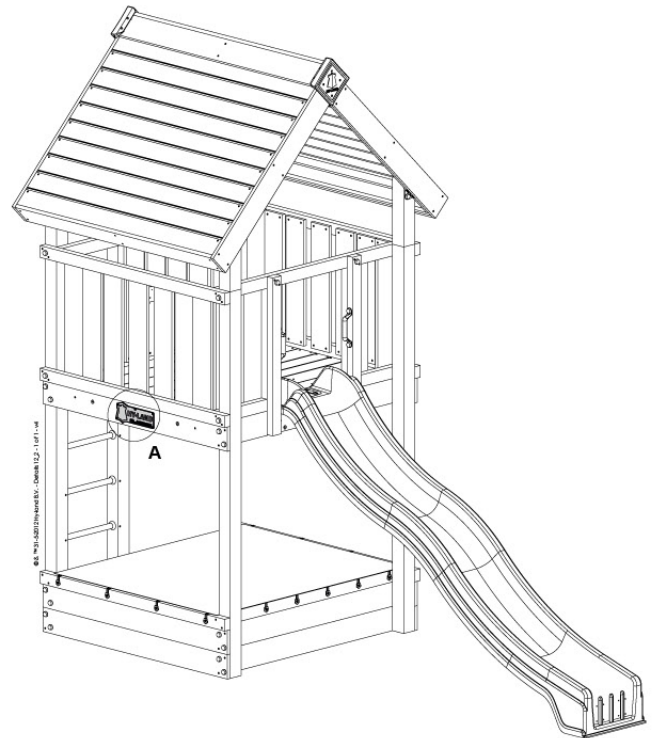
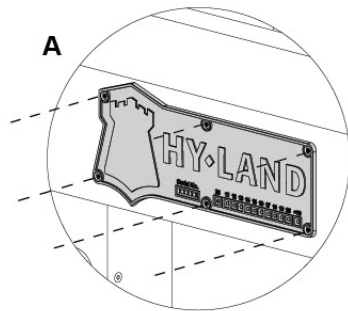
12.2



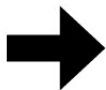
12.3a



12.3b



12.3c



Hy-land B.V.
Valschermkade 18
NL - 1059 CD Amsterdam
The Netherlands

Tel : +31 85 444 41 01
Email : info@hy-land.eu
URL : www.hy-land.eu

Chamber of Commerce :
NL 16.078.319

10_460_0019_101_26_0901 AS_Part_3_P - 20241029

