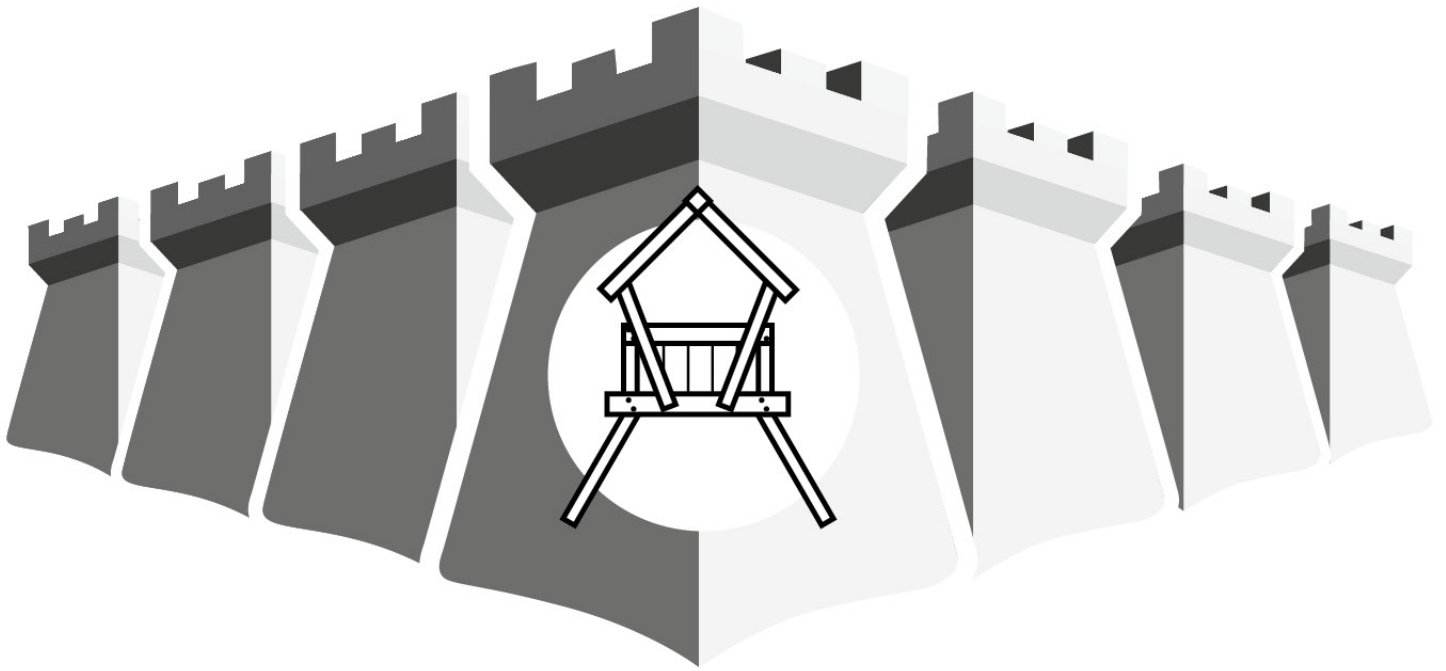


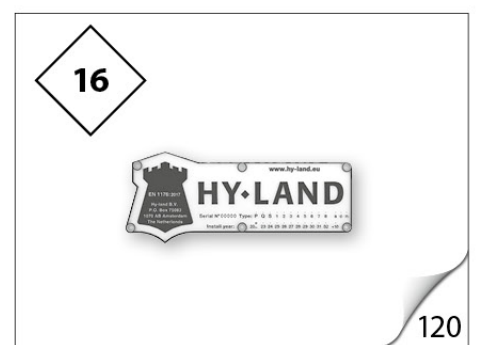
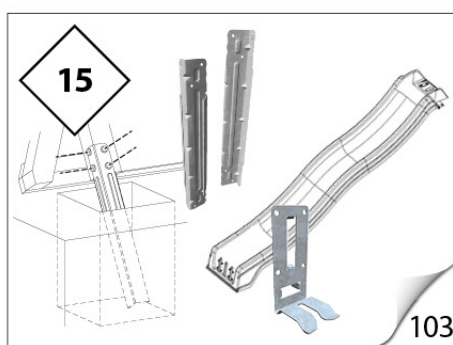
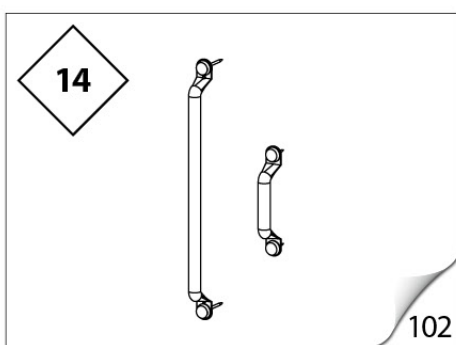
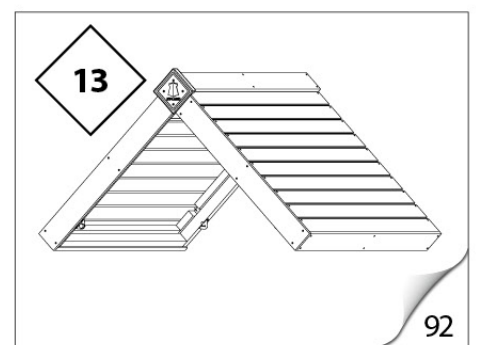
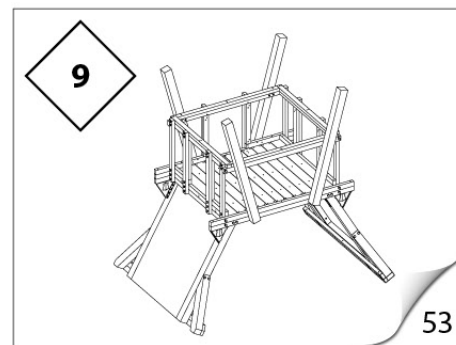
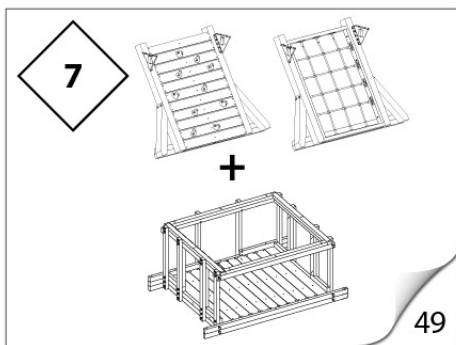
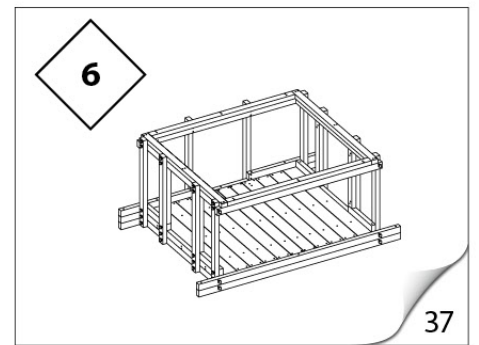
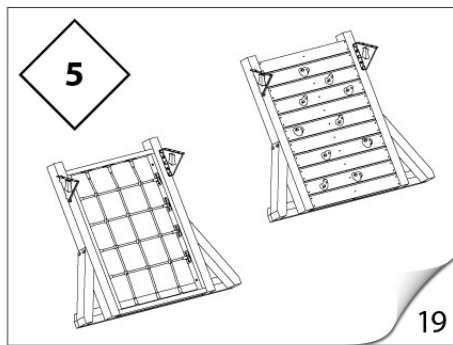
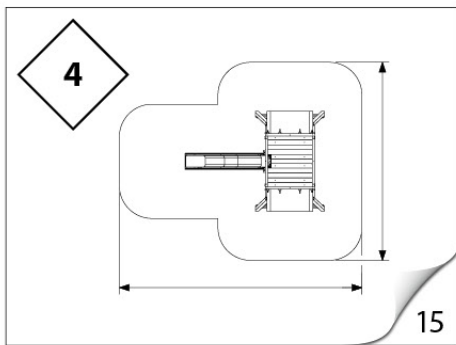
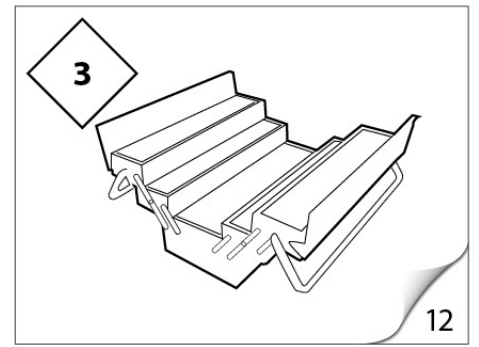
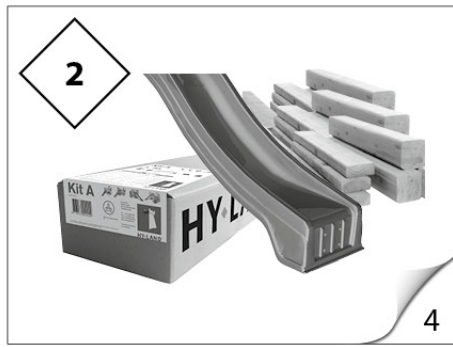
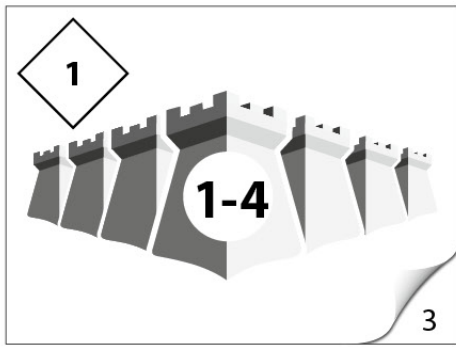
# Assembly

## Q Series



Owner's Manual

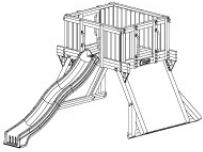
# Assembly steps





# 1

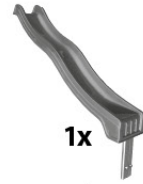
## Q1



1x

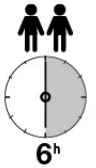


1x



1x

+



1x



1x



± 0,42 m<sup>3</sup>

## Q2



1x



1x



1x



1x

+



1x

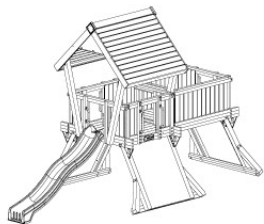


1x



± 0,66 m<sup>3</sup>

## Q3



1x



2x



2x



1x

+



1x

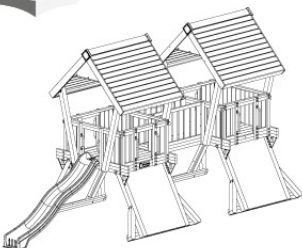


1x



± 1.03 m<sup>3</sup>

## Q4



1x



2x

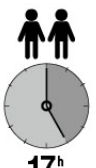


2x



1x

+



2x



2x



1x



± 1,42 m<sup>3</sup>

**2.1a**

# Content Q-Start

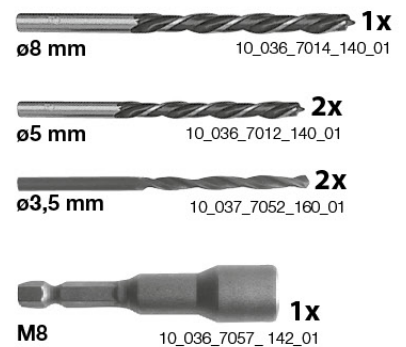
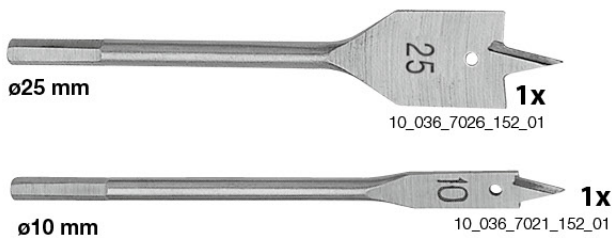
14\_303\_101\_15



<p><b>1x</b> 10_209_2071_103_24</p>		<p><b>1x</b> 10_467_3040_202_26</p>	
<p><b>1x</b> 10_030_5042_116_04</p>	<p><b>1x</b> 10_209_2031_105_06</p>	<p><b>2x</b> 11_003_3030_101_06</p>	<p><b>1x</b> 11_001_1030_105_25</p>
<p><b>1x</b> 10_030_5042_216_04</p>	<p><b>1x</b> 10_032_5013_425_01</p>	<p><b>6x</b> 10_032_5012_425_01</p>	<p><b>1x</b> 11_002_1010_203_25</p>
<p><b>2x</b> 10_030_5071_110_01</p>	<p><b>6x</b> 10_032_5013_225_01</p>	<p><b>1x</b> 10_026_5041_215_01</p>	<p><b>3x</b> 11_207_1010_101_04</p>
<p><b>1x</b> 11_002_1010_404_25</p>			

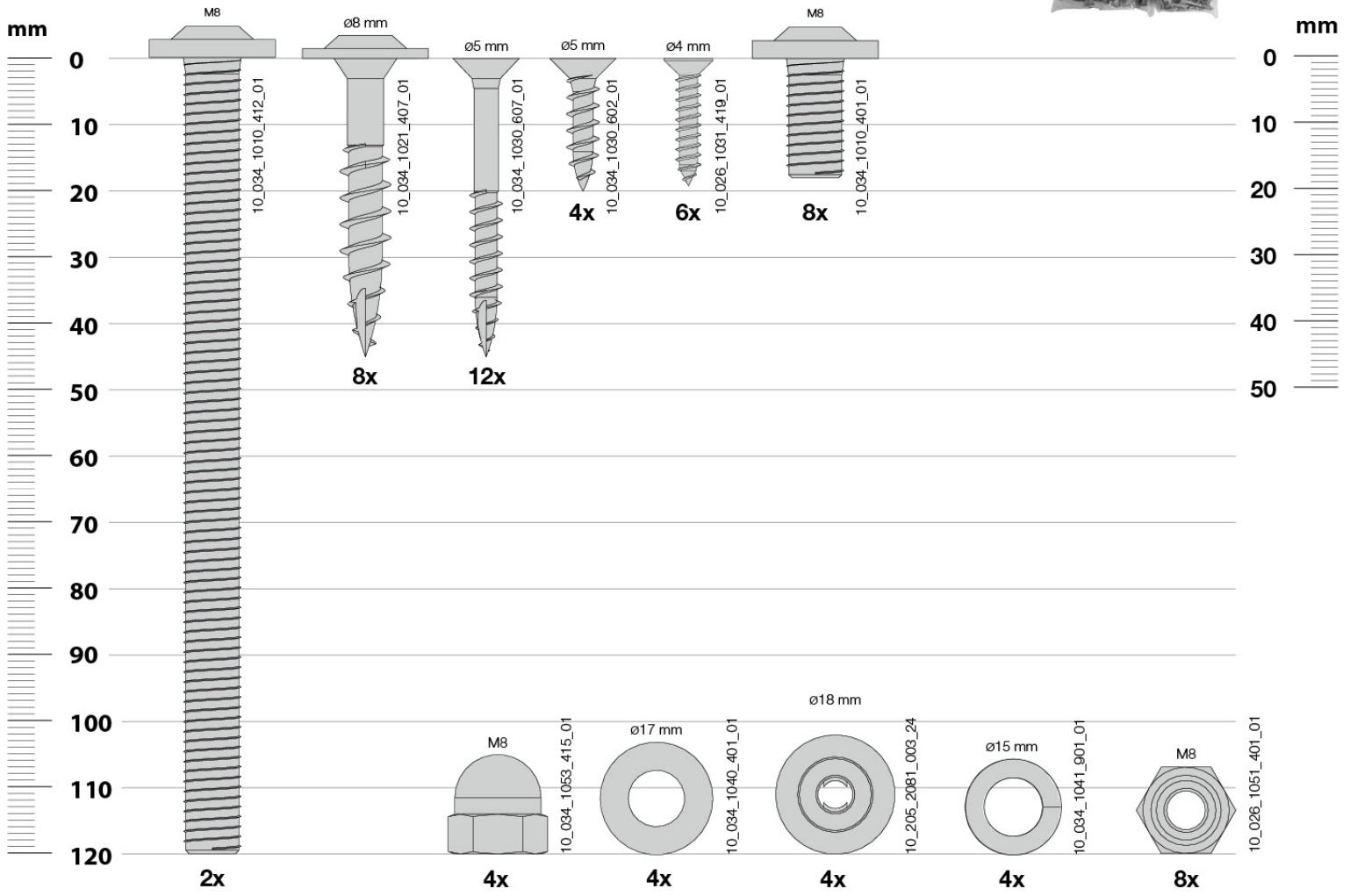
## Tools

11\_002\_1010\_203\_25



# Hardware


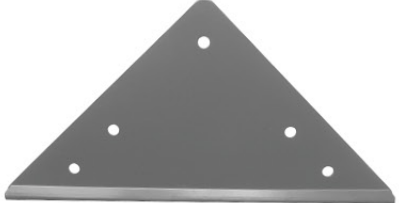


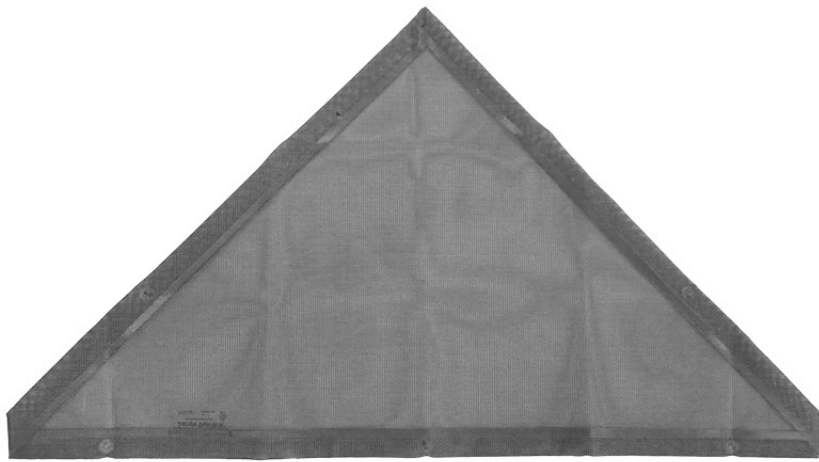



11\_001\_1030\_105\_25



# 2.1b

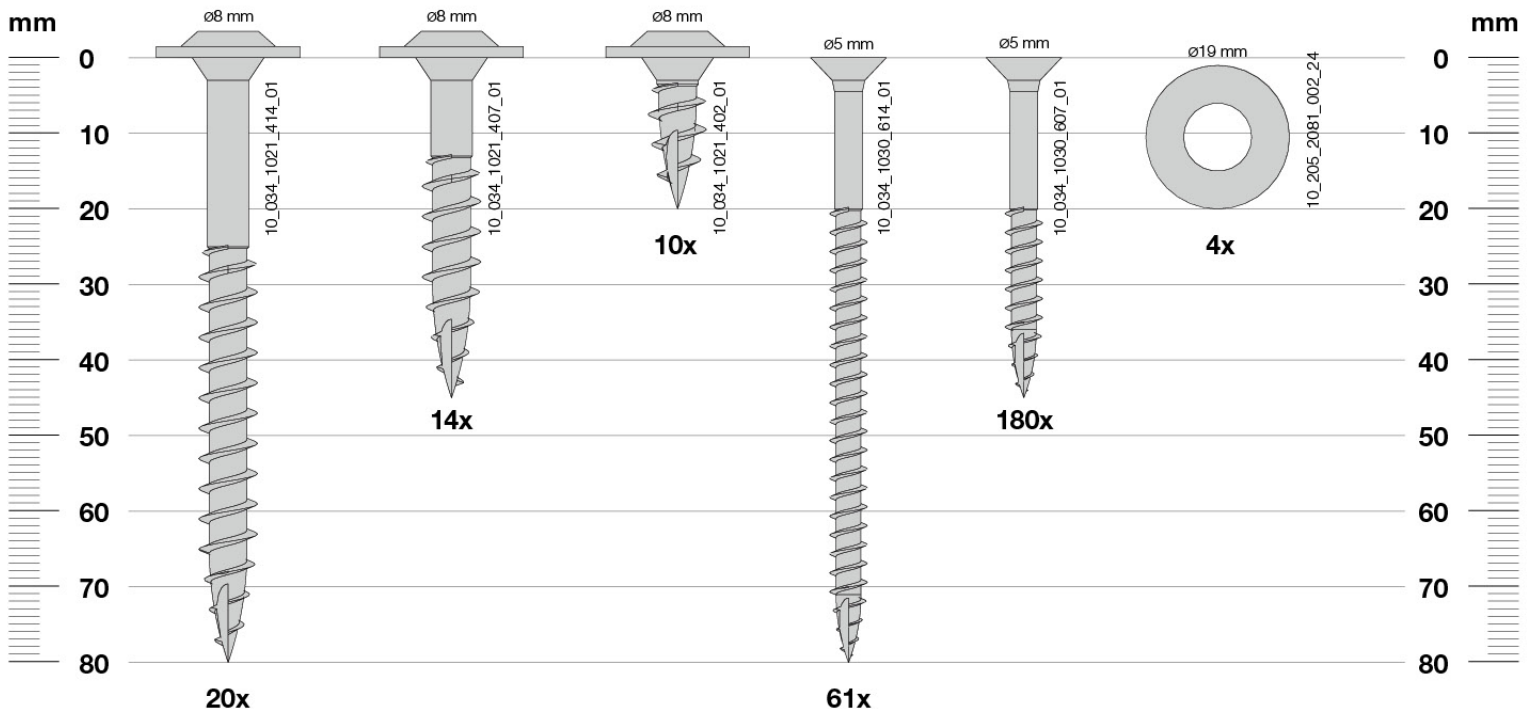
# Content Q-Roof

14\_001\_101\_30

 <p><b>1x</b> 10_467_3010_404_26</p>		 <p><b>2x</b> 10_030_5011_001_04</p>
 <p><b>2x</b> 10_201_2075_405_04</p>	 <p><b>20x</b> 10_205_2030_000_04</p>	 <p><b>2x</b> 11_203_1051_101_04</p>
	 <p><b>1x</b> 11_207_1010_301_04</p>	
 <p><b>4x</b> 10_030_5010_000_04</p>	 <p><b>1x</b> 11_001_1010_420_25</p>	

## Hardware

11\_001\_1010\_420\_25

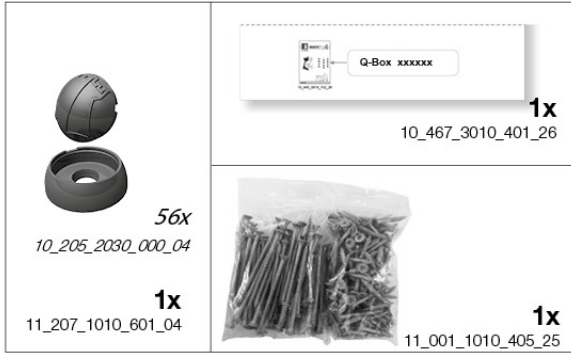




2.1c

# Content Q-Box

14\_001\_101\_15



2.1d

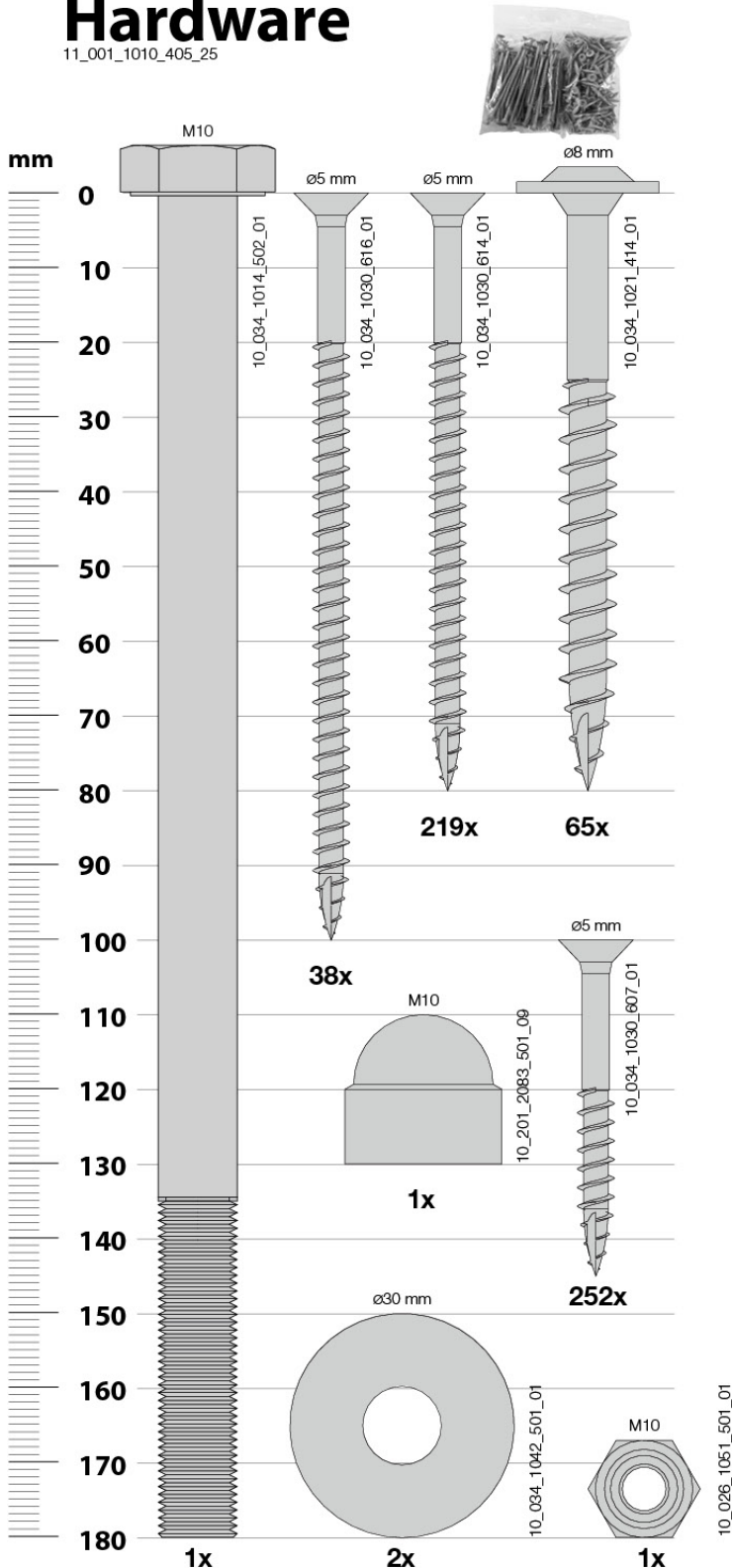
# Content Q-Bridge

14\_001\_101\_35



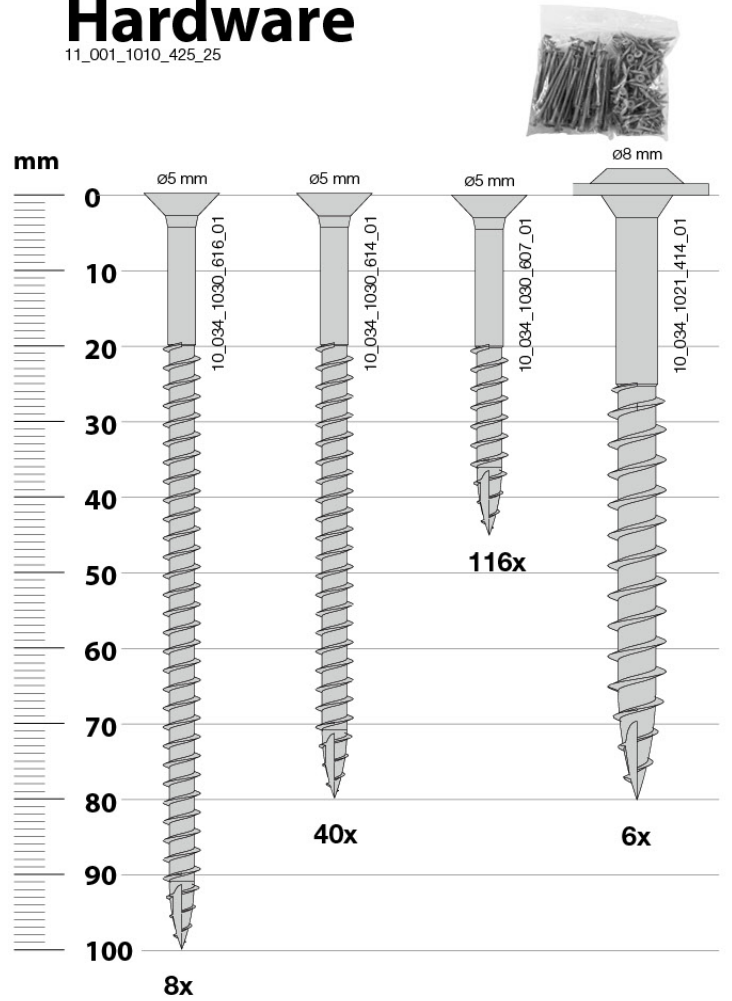
## Hardware

11\_001\_1010\_405\_25



## Hardware

11\_001\_1010\_425\_25



# 2.1e

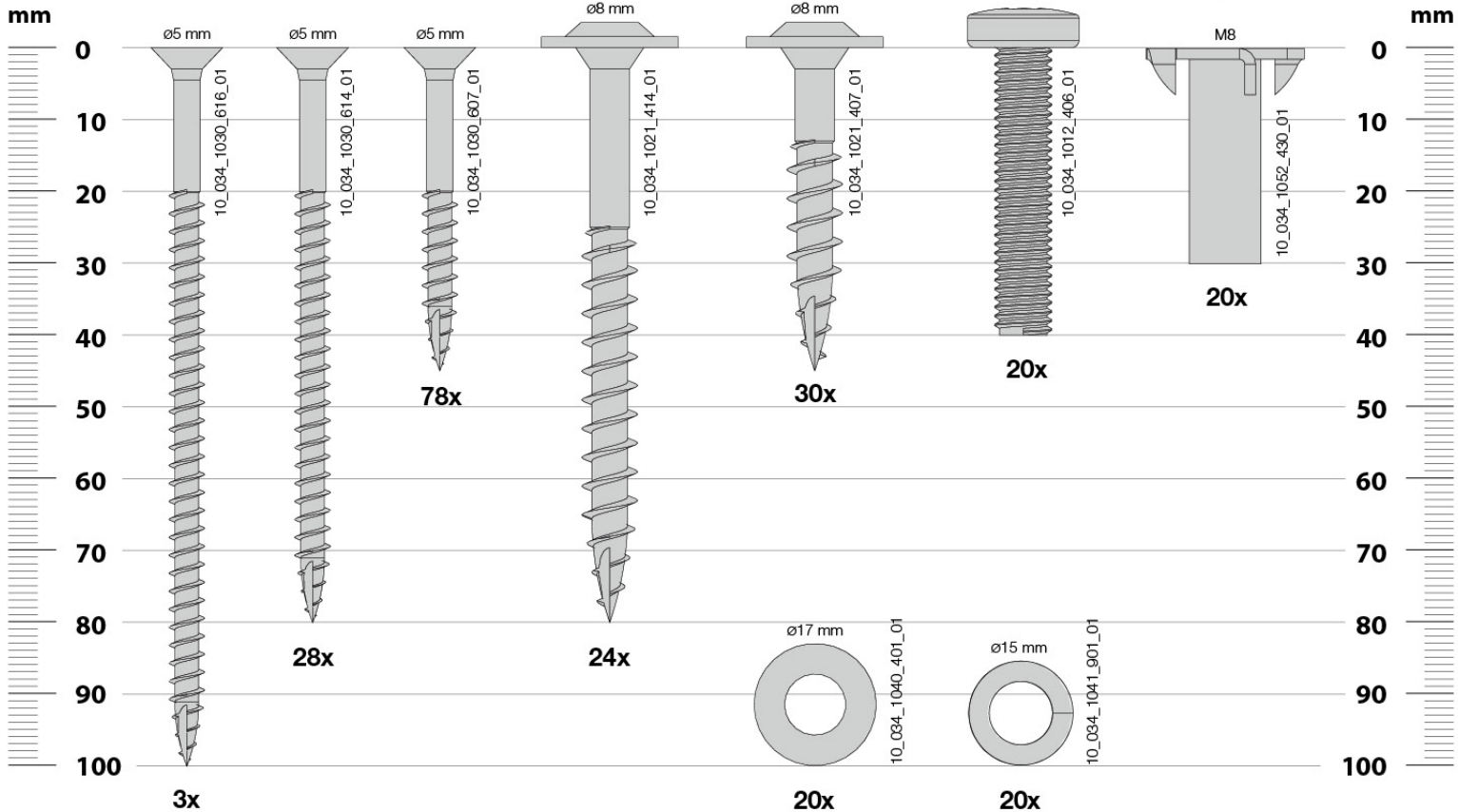
# Content Q-Rock

14\_001\_101\_20

 <p><b>1x</b> 10_467_3010_402_26</p>		 <p><b>2x</b> 11_003_3030_202_06</p>		
 <p><b>1x</b> 10_030_5051_125_04</p>	 <p><b>1x</b> 10_030_5051_225_04</p>	 <p><b>1x</b> 10_030_5051_230_04</p>	 <p><b>1x</b> 10_030_5051_130_04</p>	 <p><b>1x</b> 11_001_1010_410_25</p>
 <p><b>3x</b> 10_217_2050_300_04</p>	 <p><b>3x</b> 10_217_2050_200_04</p>	 <p><b>4x</b> 10_217_2050_100_04</p>	 <p><b>36x</b> 10_205_2030_000_04</p>	 <p><b>1x</b> 11_207_1010_401_04</p>

# Hardware



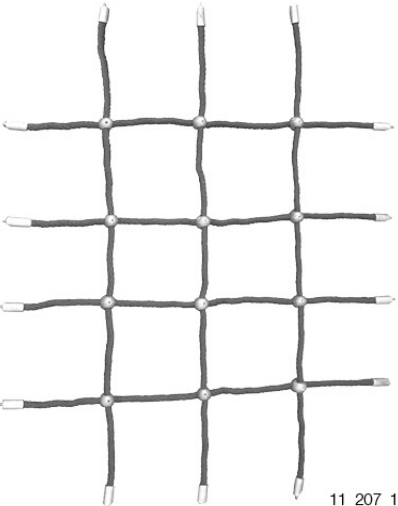







11\_001\_1010\_410\_25





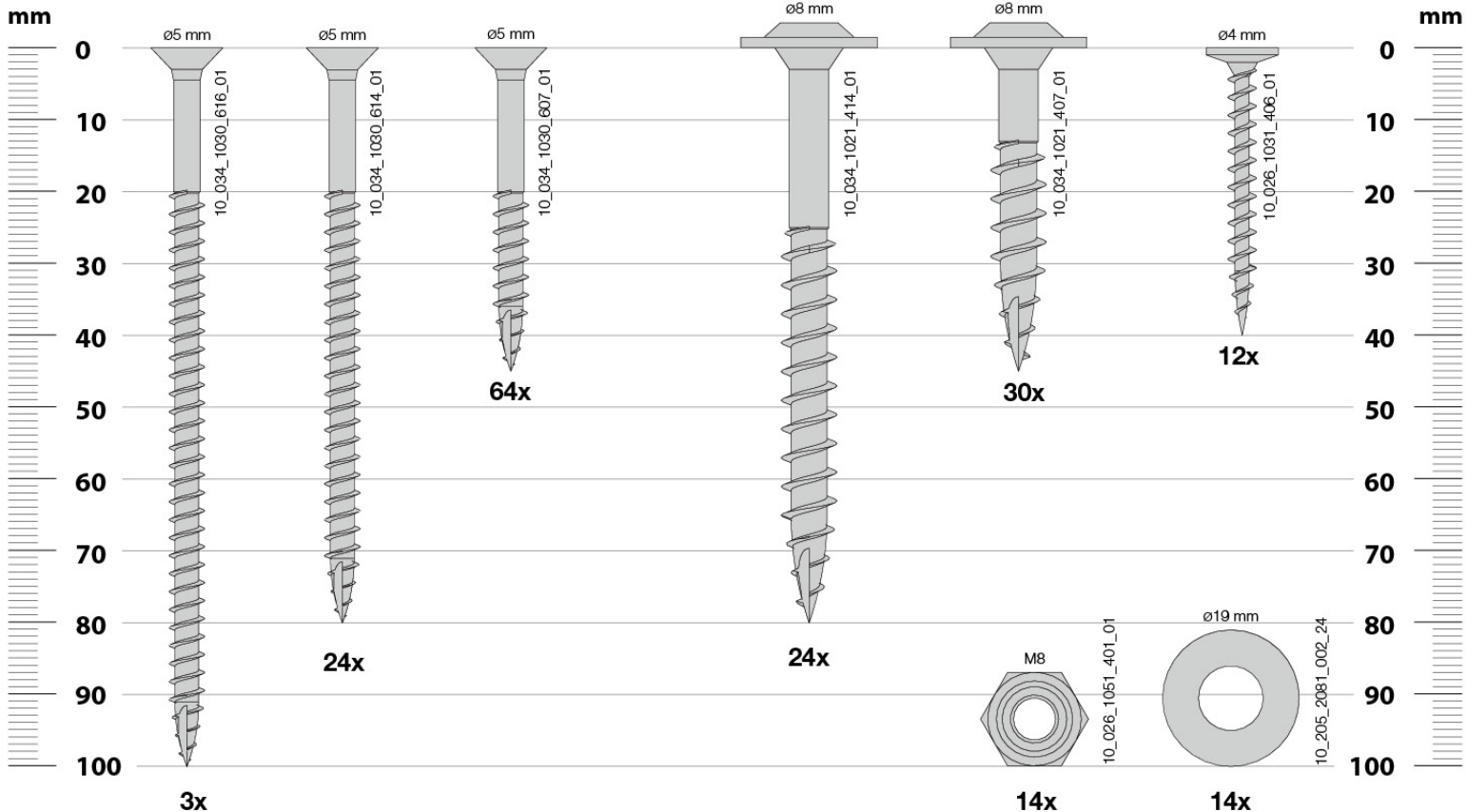
# Content Q-Net

14\_001\_101\_25

 <p><b>1x</b> 10_467_3010_403_26</p>		 <p><b>14x</b> 10_030_5051_235_04</p>	 <p><b>1x</b> 11_207_1090_201_25</p>	
 <p><b>2x</b> 11_003_3030_202_06</p>		 <p><b>1x</b> 11_001_1010_415_25</p>		
 <p><b>1x</b> 10_030_5051_125_04</p>	 <p><b>1x</b> 10_030_5051_225_04</p>	 <p><b>36x</b> 10_205_2030_000_04</p>	 <p><b>1x</b> 10_030_5051_230_04</p>	 <p><b>1x</b> 10_030_5051_130_04</p>

## Hardware

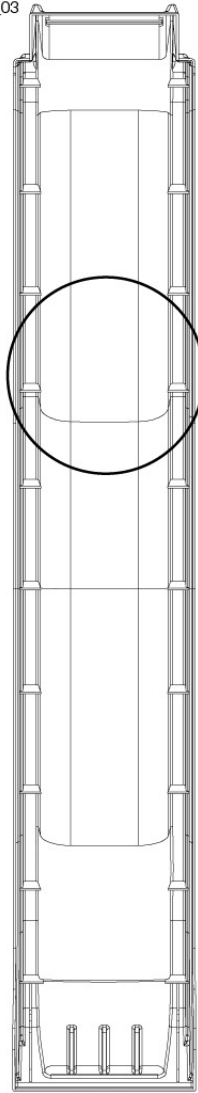
11\_001\_1010\_415\_25



2.2a

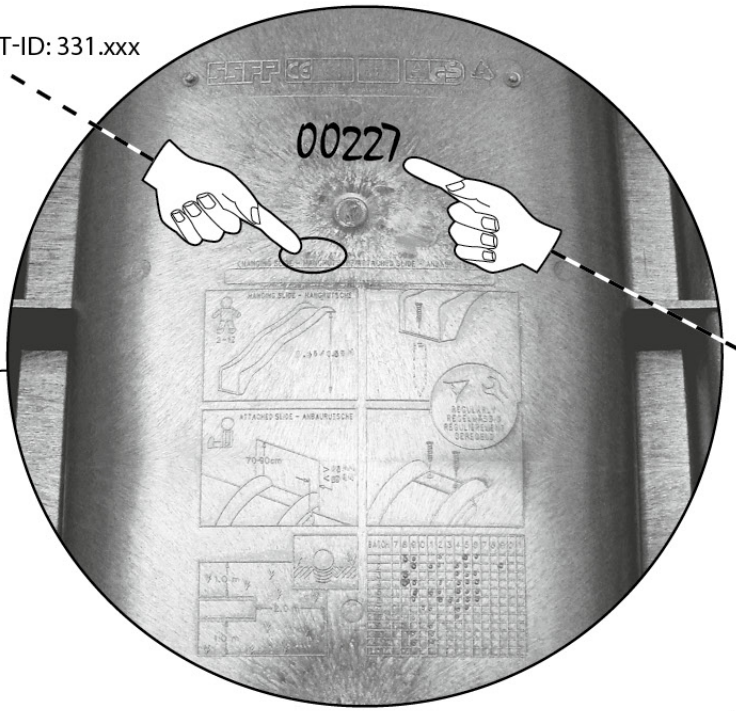
# Hy-Slide Polyethylene

14\_306\_301\_03

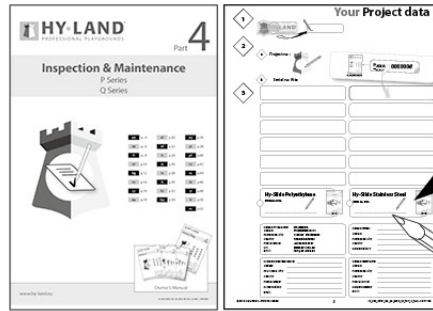


Back

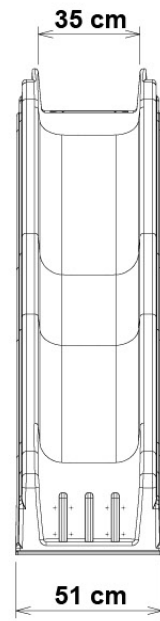
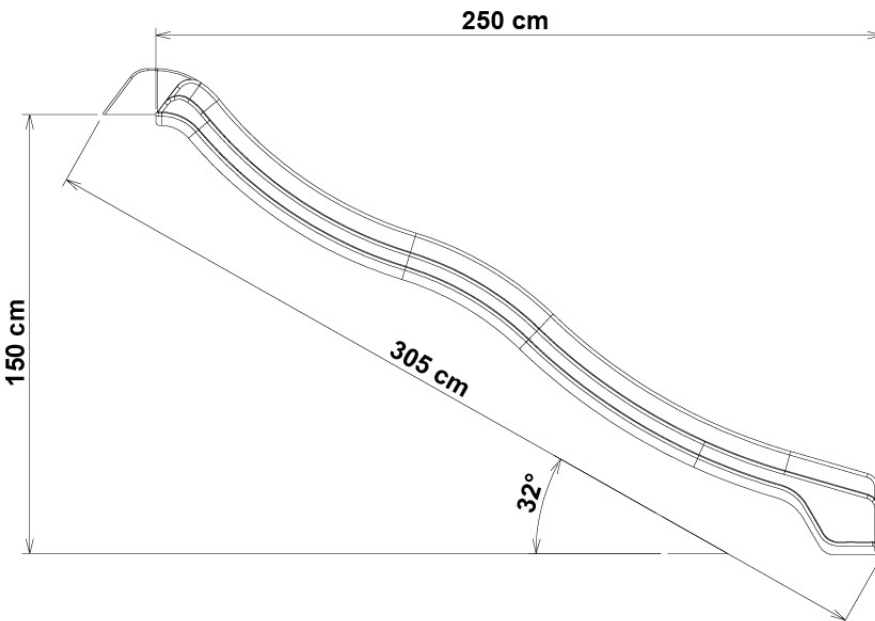
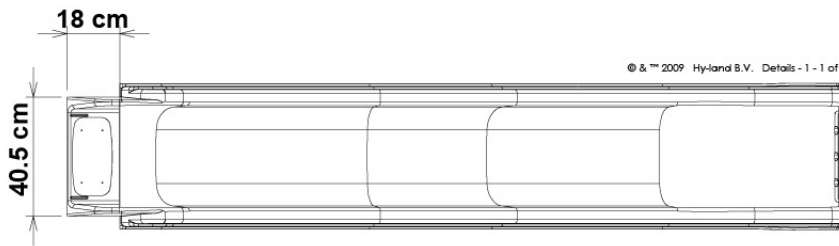
PART-ID: 331.xxx



SERIAL NO.



10\_460\_0819\_106\_26

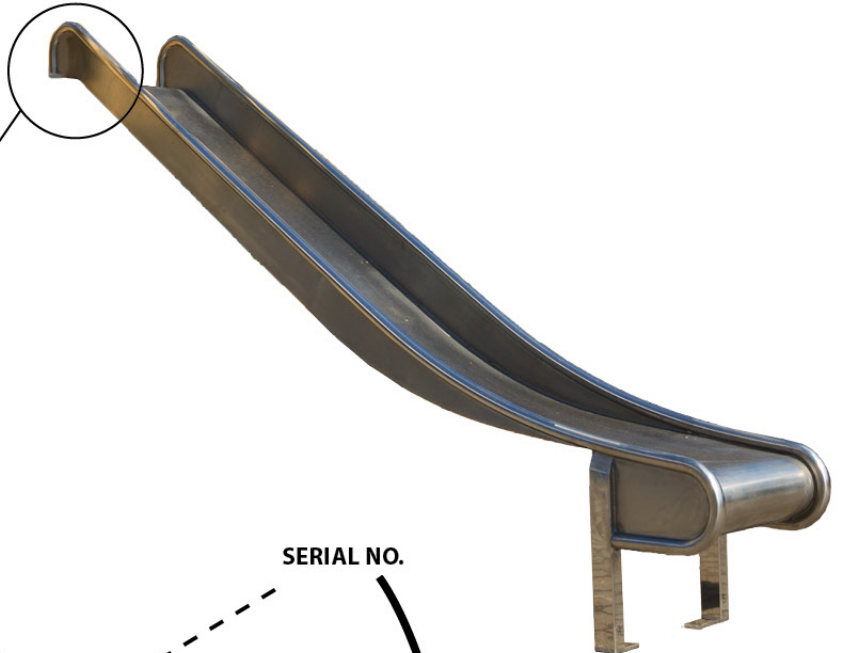




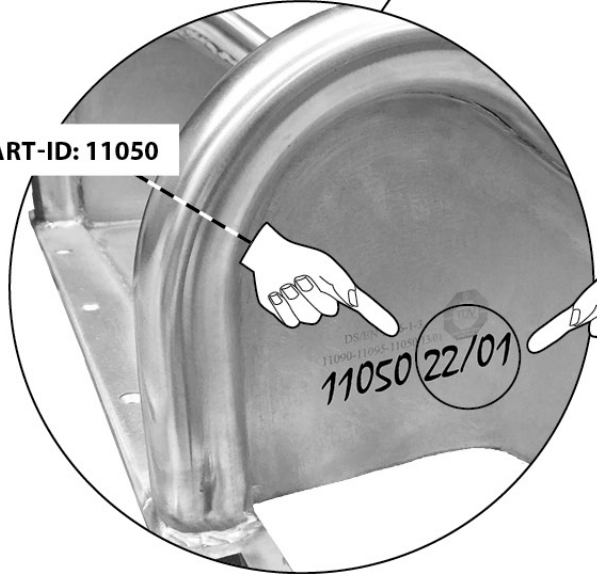
2.2b

# Hy-Slide Stainless Steel

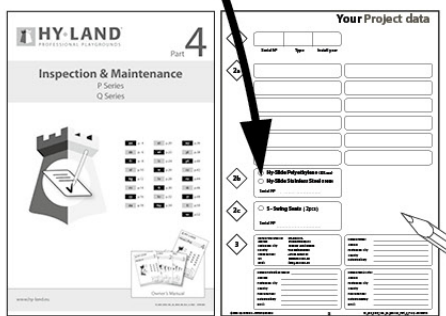
14\_306\_301\_50



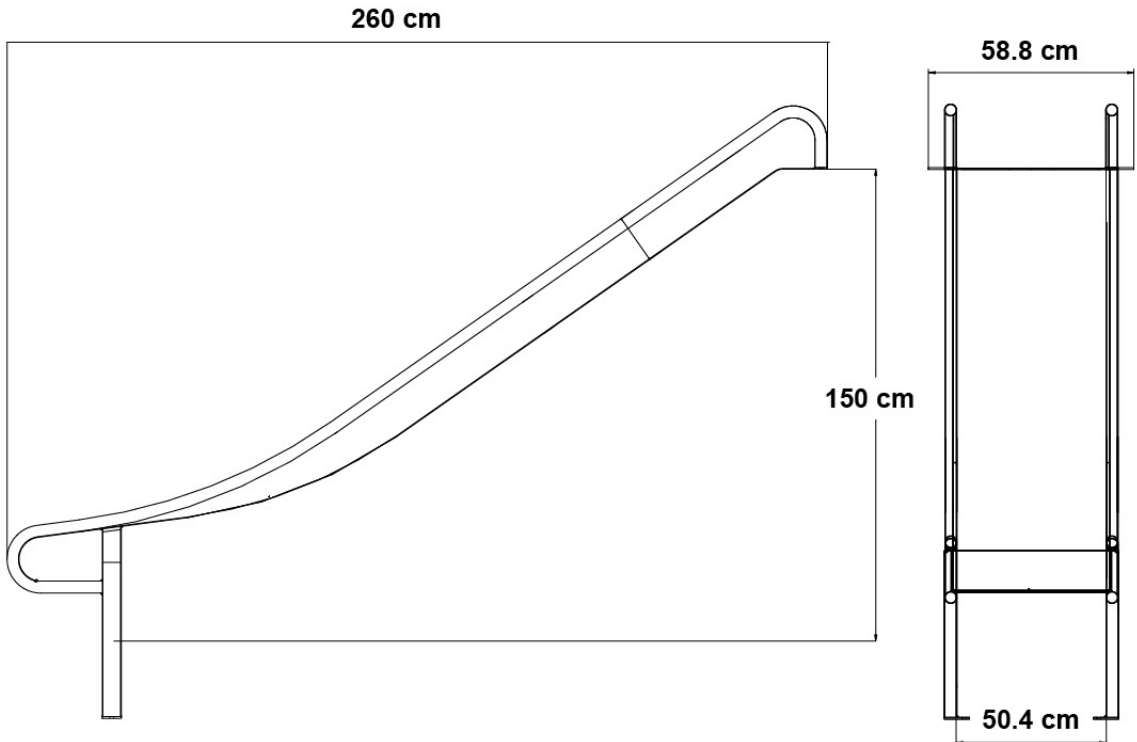
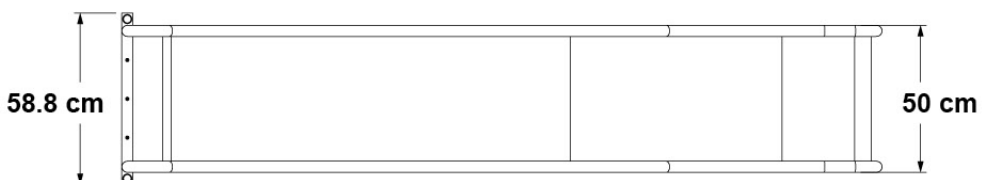
PART-ID: 11050



SERIAL NO.

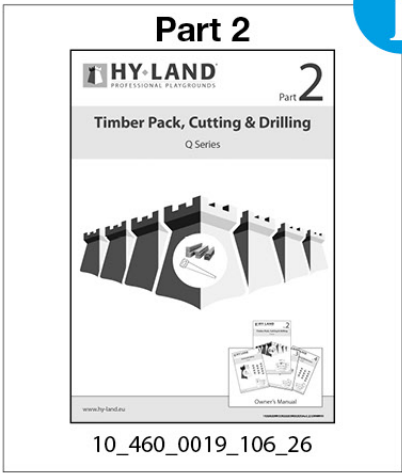
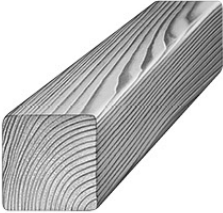


10\_460\_0819\_106\_26



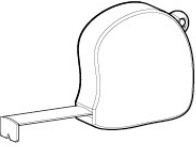
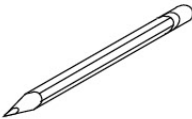
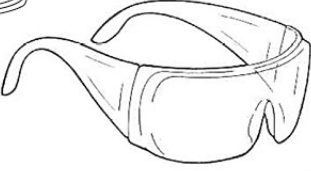
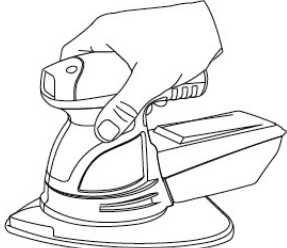
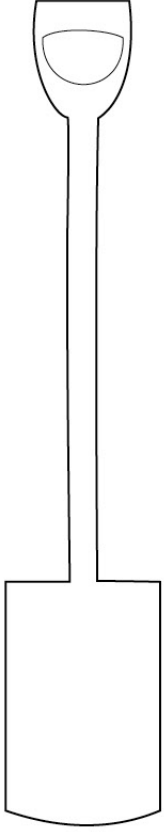
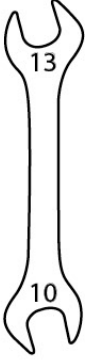
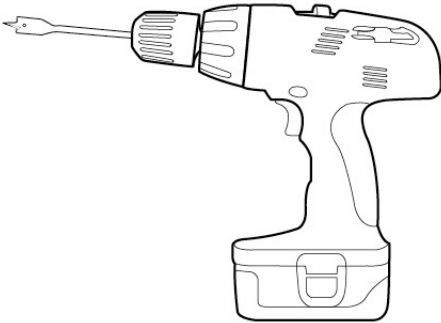
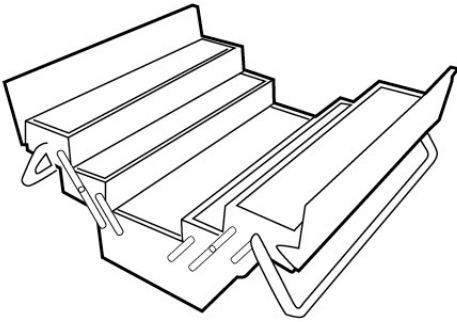
2.3

# Timber



3.1

# Tools



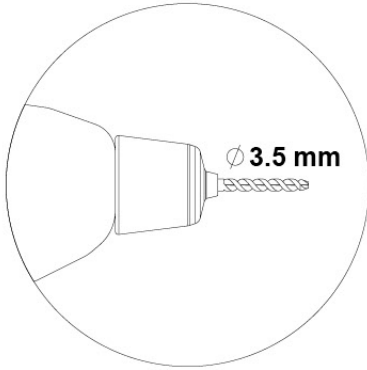
3.2

80 mm

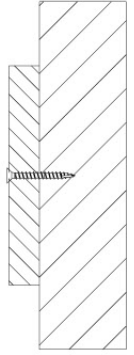
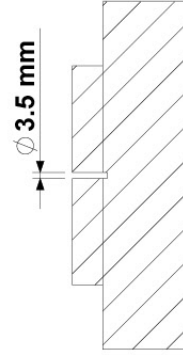
45 mm

10\_094\_1030\_614\_01

10\_094\_1030\_607\_01



$\varnothing 3.5 \text{ mm}$



80 mm

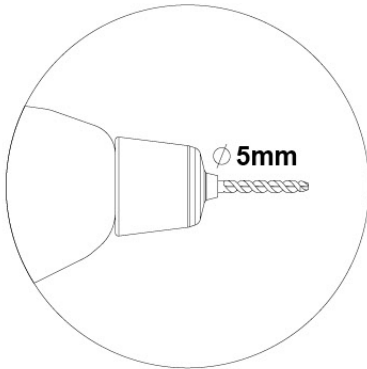
50 mm

45 mm

10\_094\_1021\_414\_01

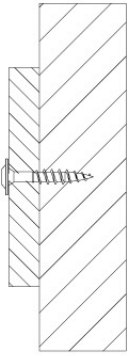
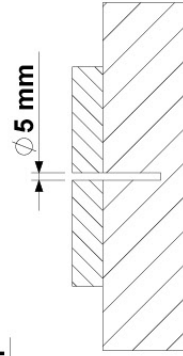
10\_094\_1021\_401\_01

10\_094\_1021\_407\_01

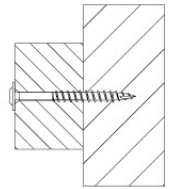
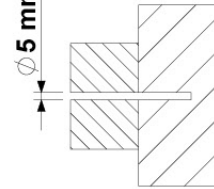


$\varnothing 5 \text{ mm}$

$\varnothing 5 \text{ mm}$

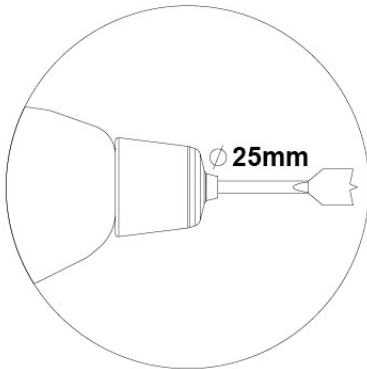


$\varnothing 5 \text{ mm}$



80 mm

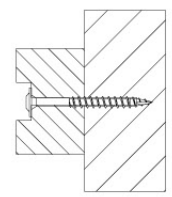
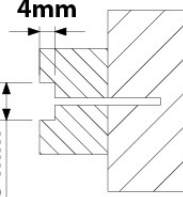
10\_094\_1021\_414\_01



$\varnothing 25 \text{ mm}$

4 mm

$\varnothing 25 \text{ mm}$

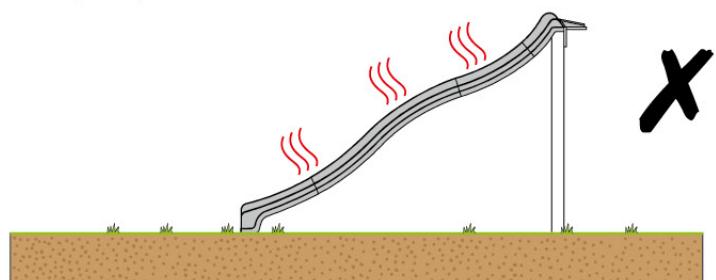
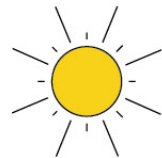
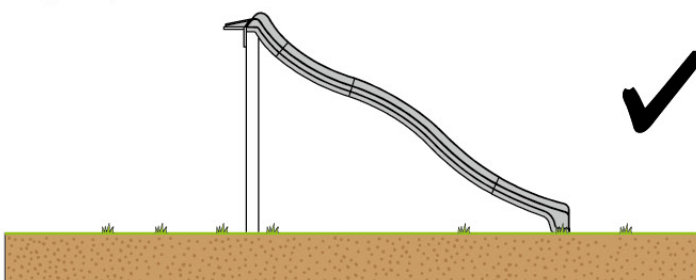
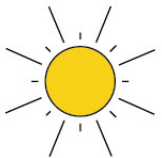
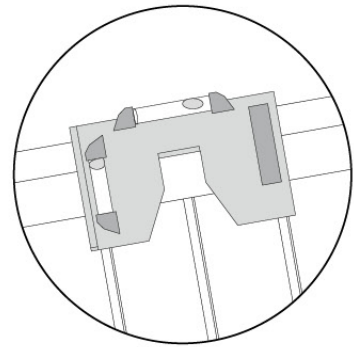
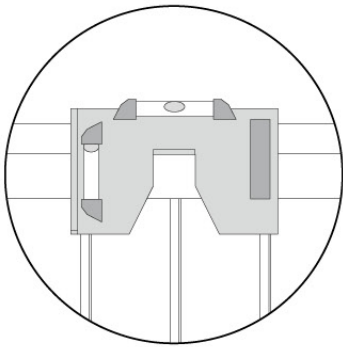
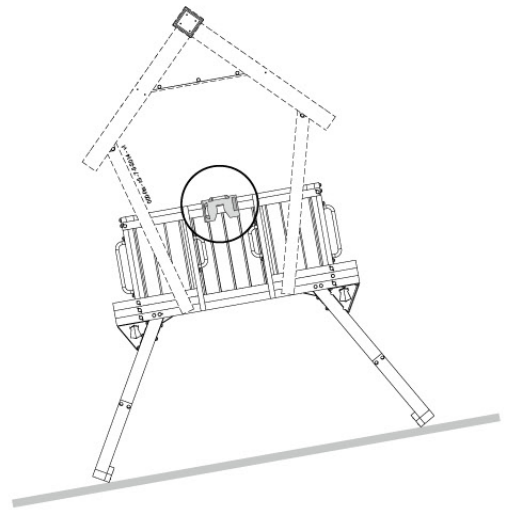
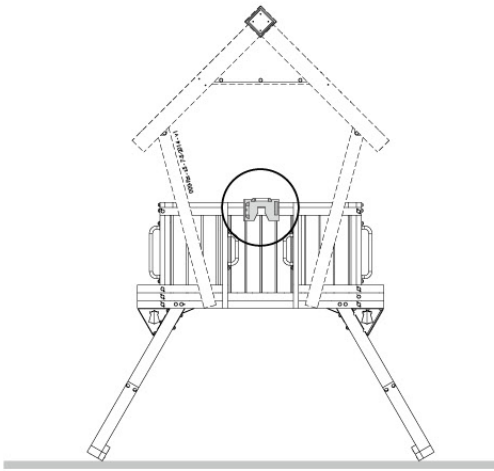
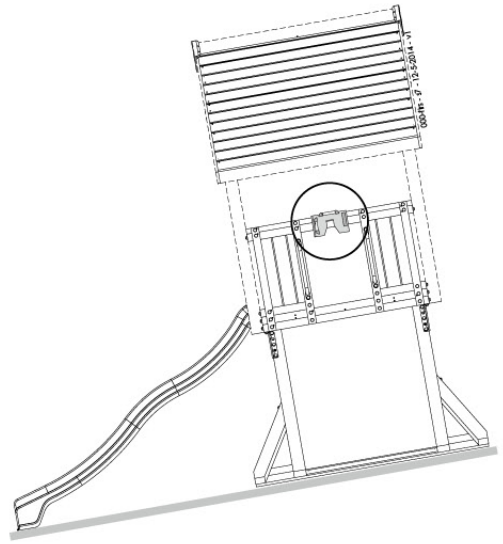
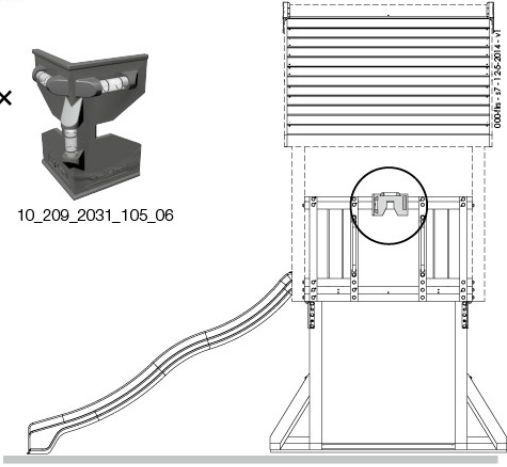




1x



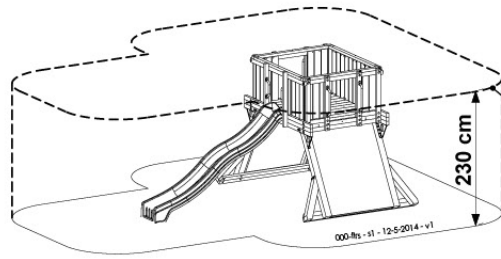
10\_209\_2031\_105\_06





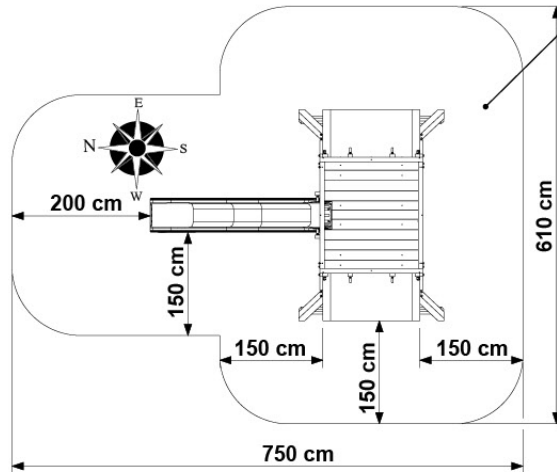
4

Q1

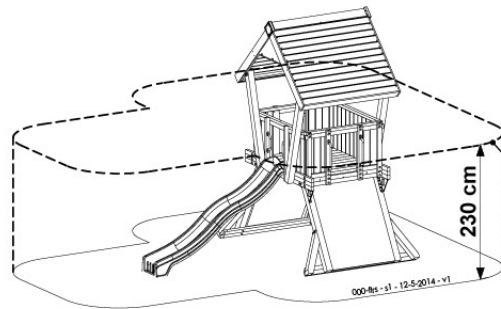


**Part 1**

4

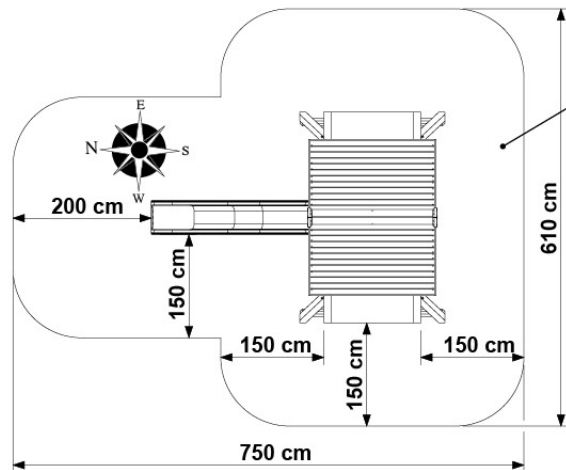


Q2



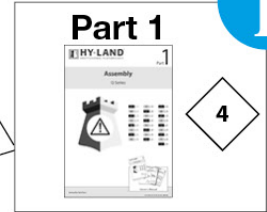
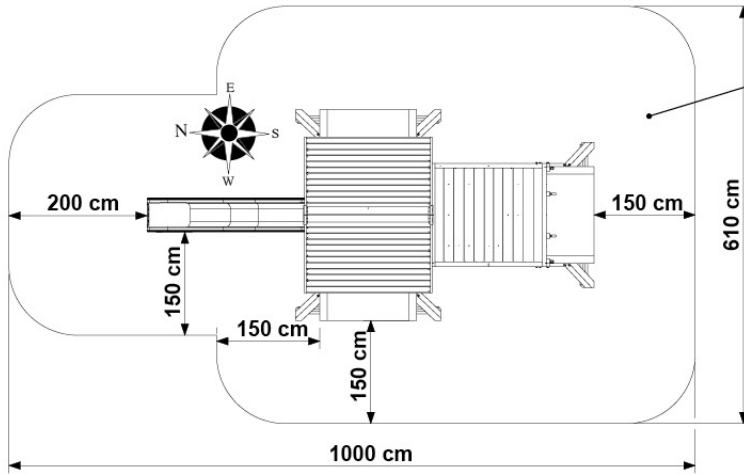
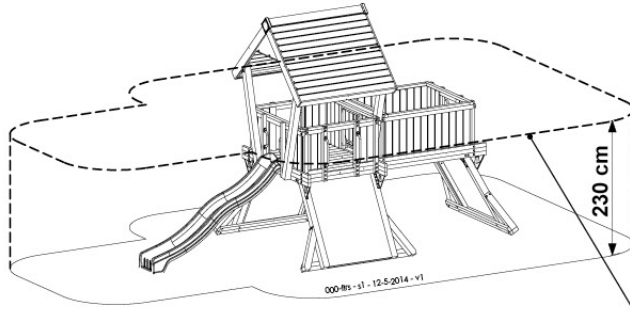
**Part 1**

4

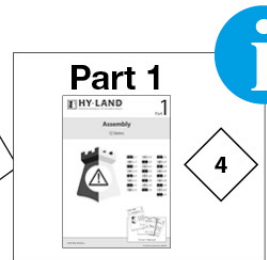
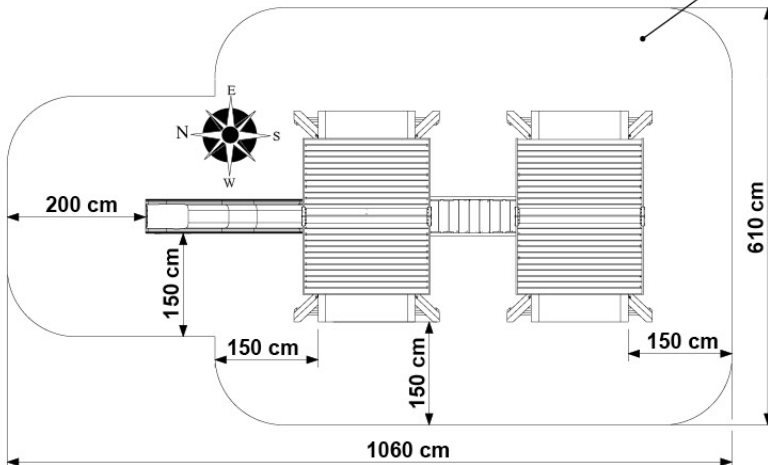
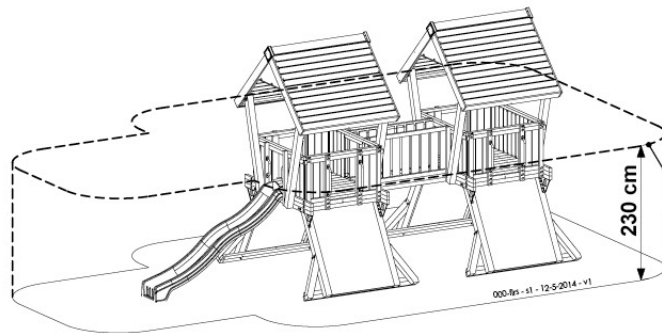


4

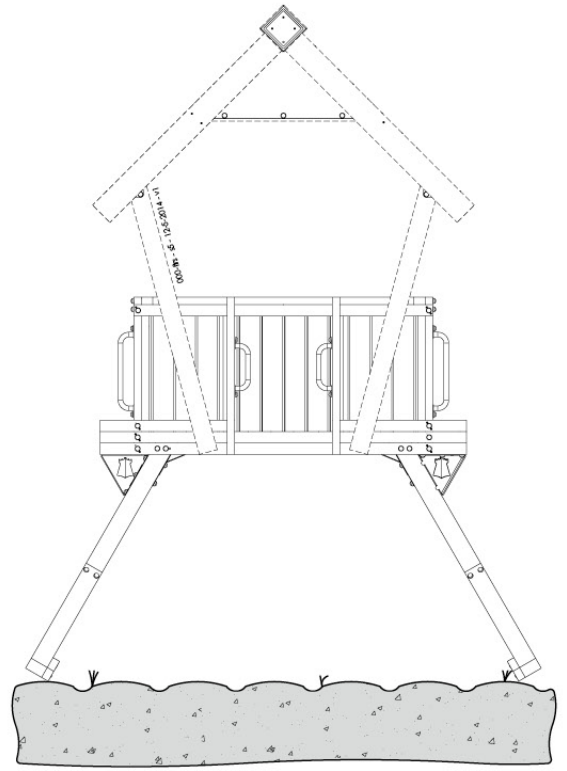
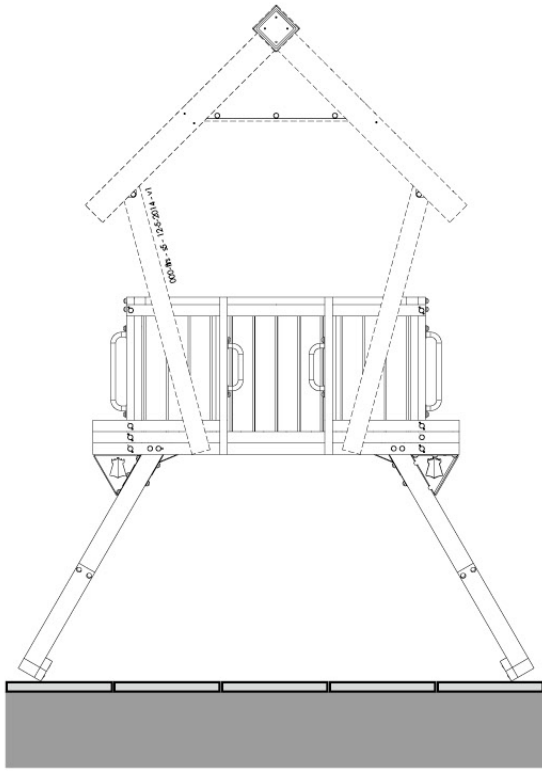
Q3



Q4



4.1



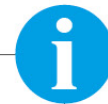
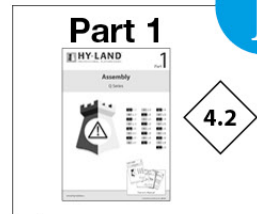
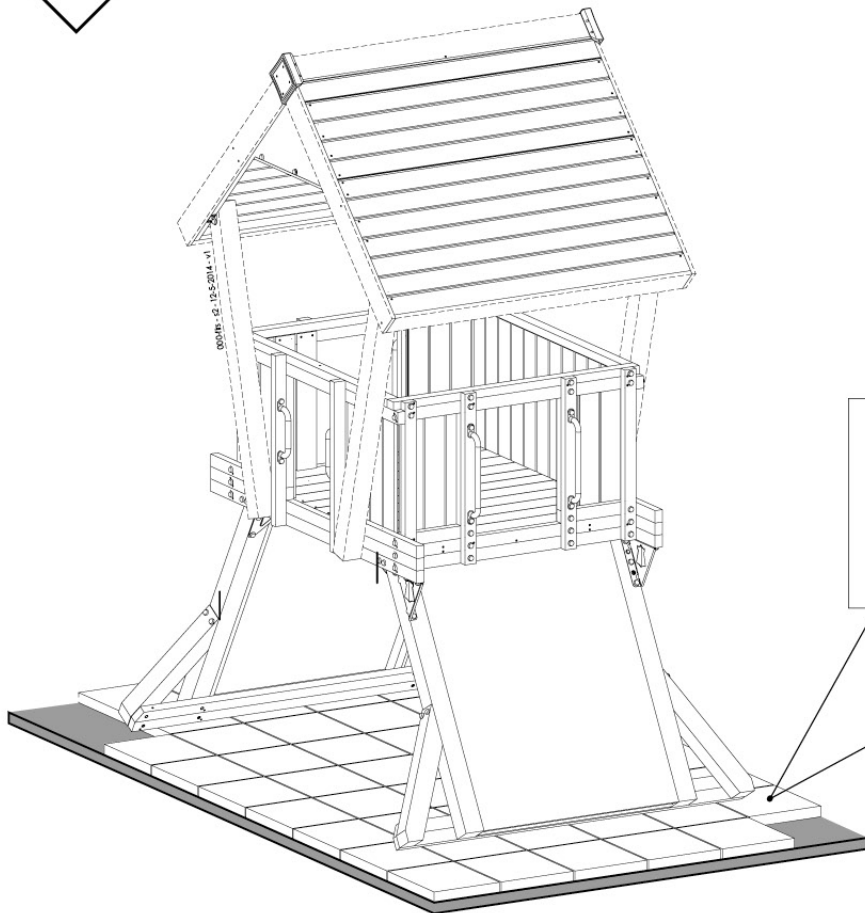
4.2



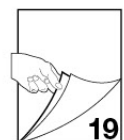
4.2



4.3

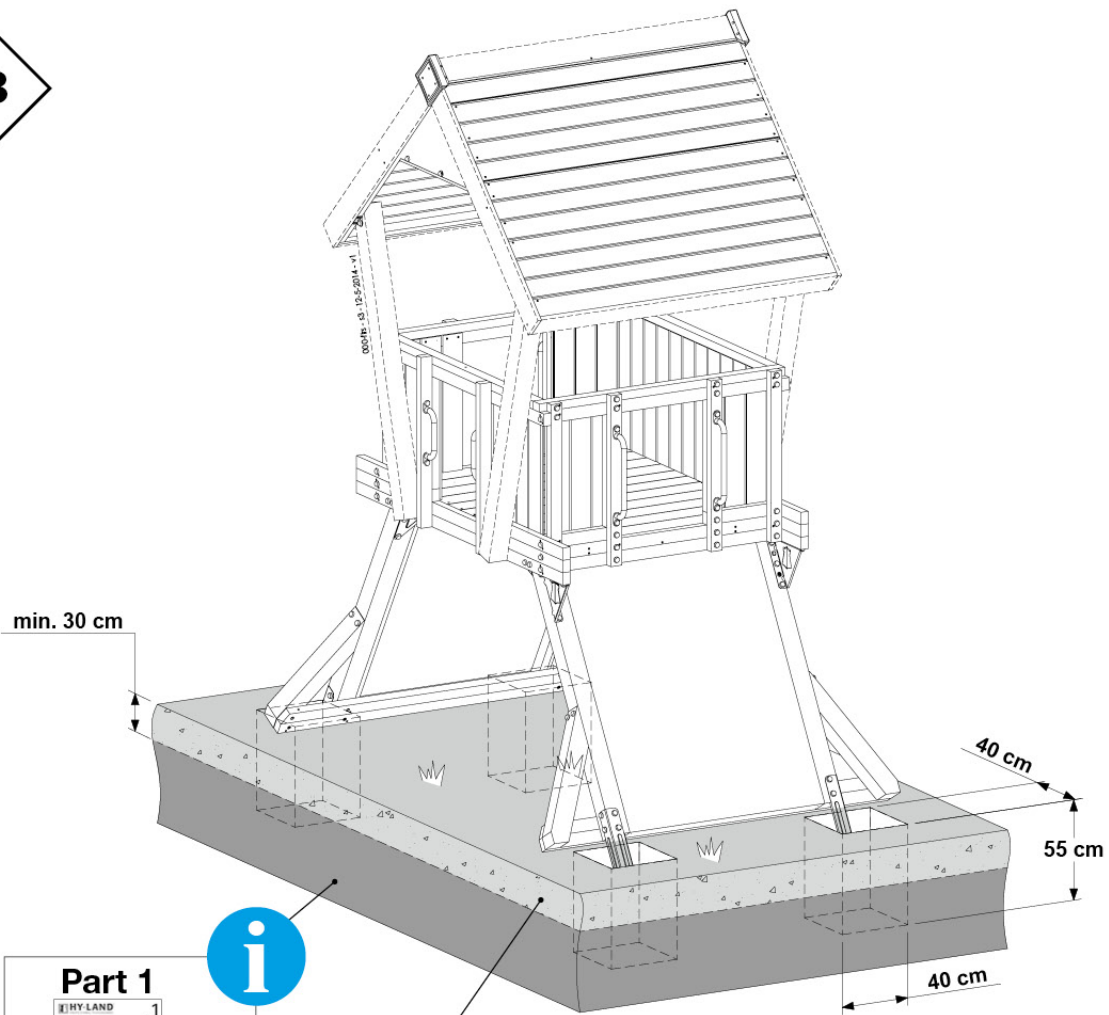


EN 1176:2017



5

4.3



**Part 1**

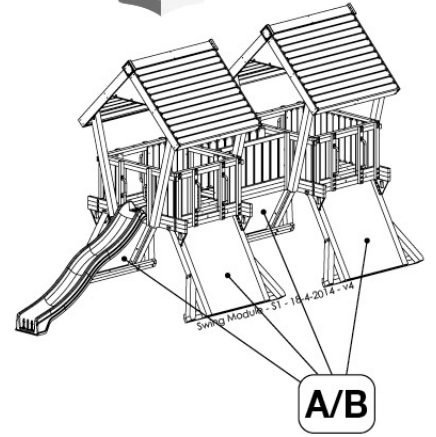
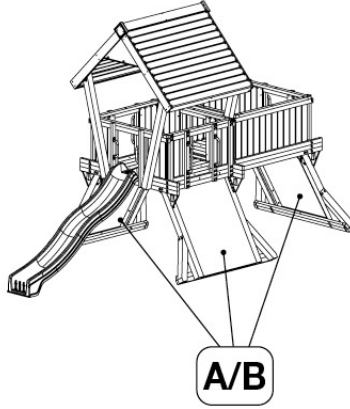
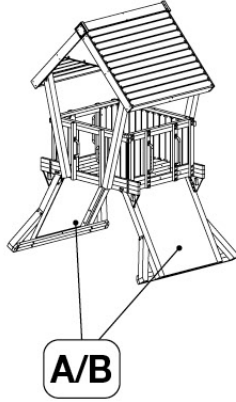
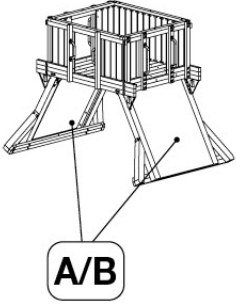
4.3



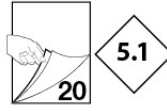
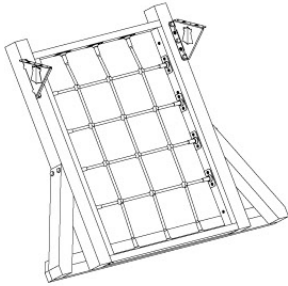
EN 1176:2017



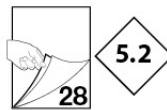
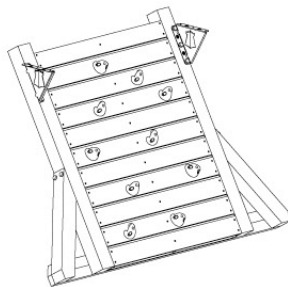
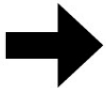
5



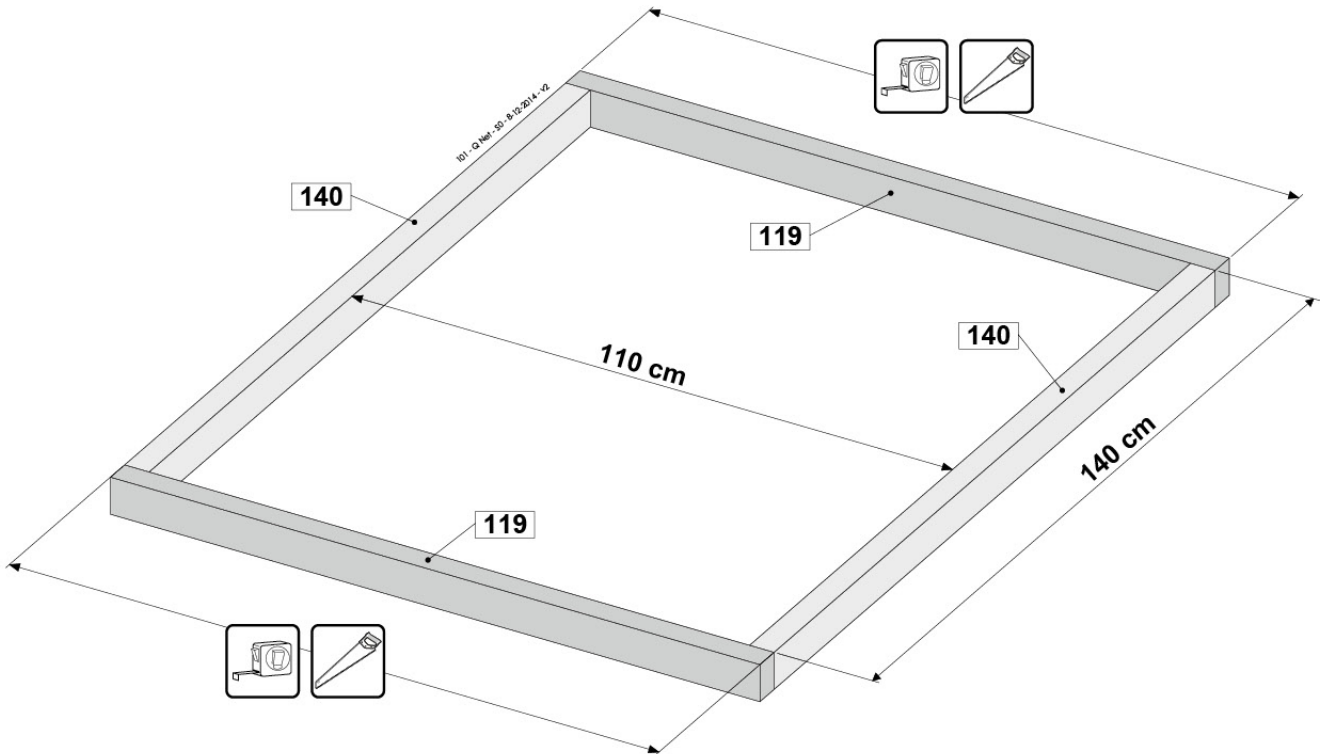
A



B

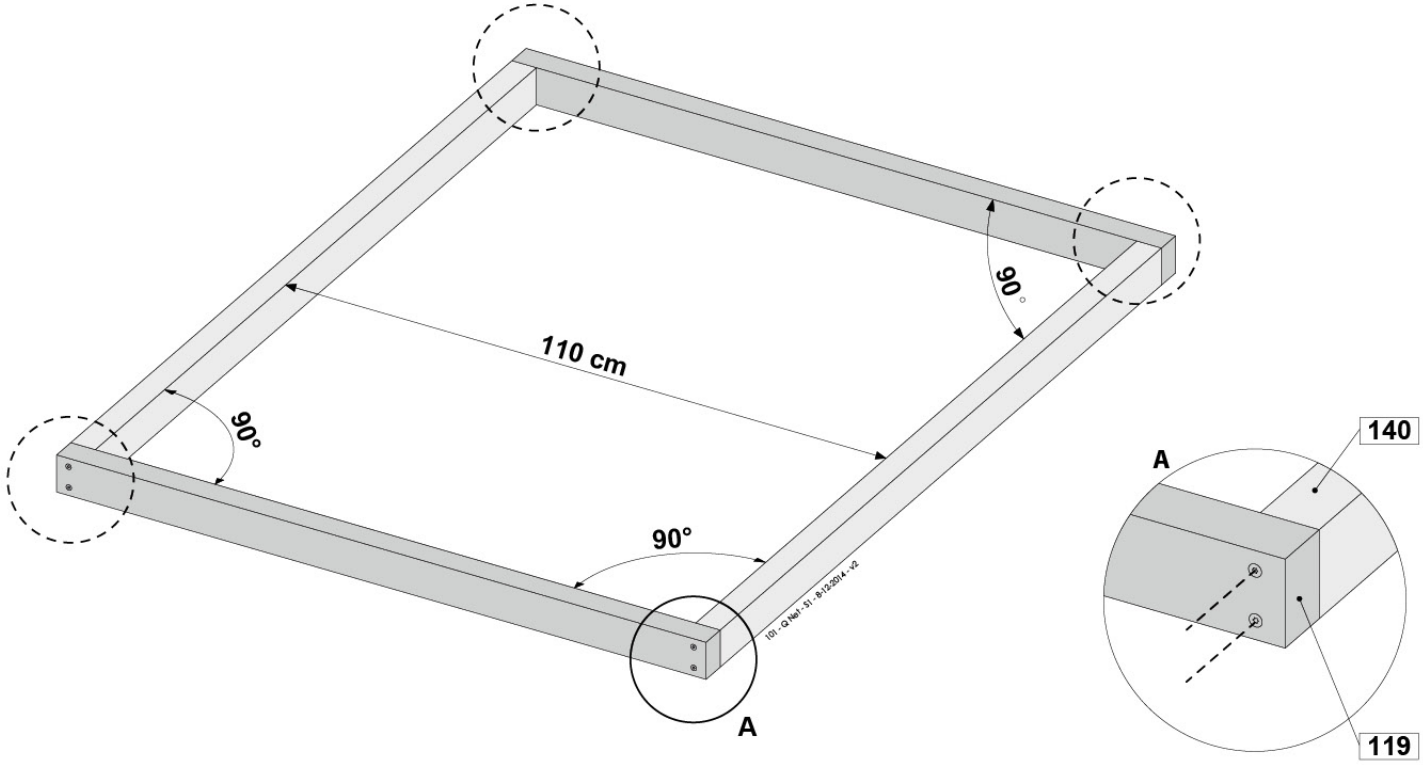


5.1a

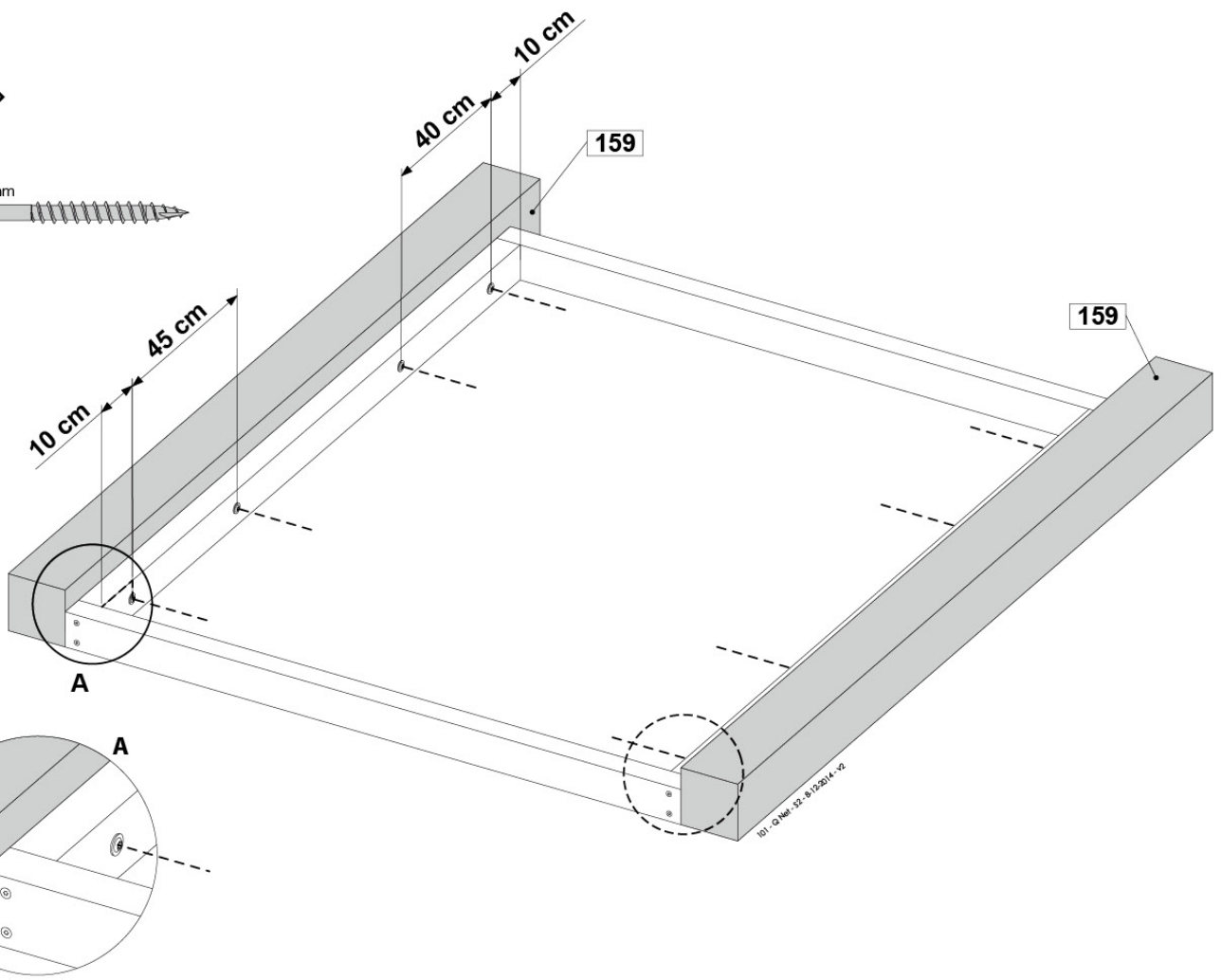
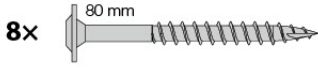


5.1b

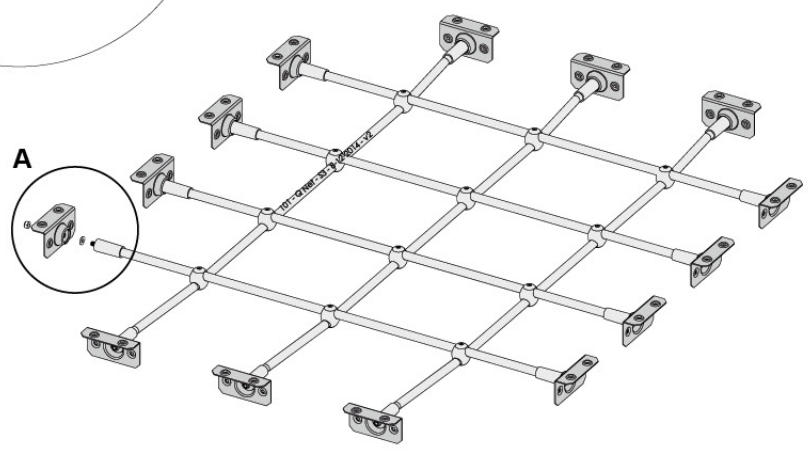
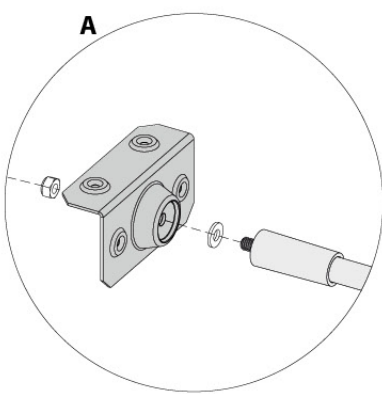
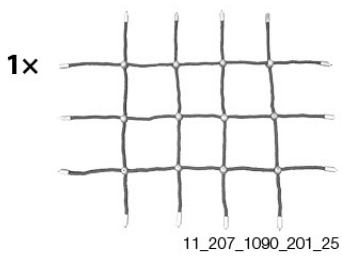
8x 80 mm



# 5.1c

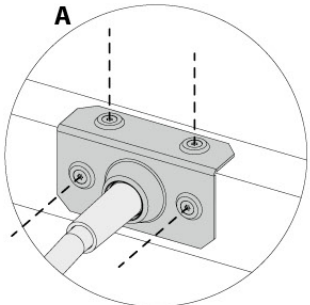
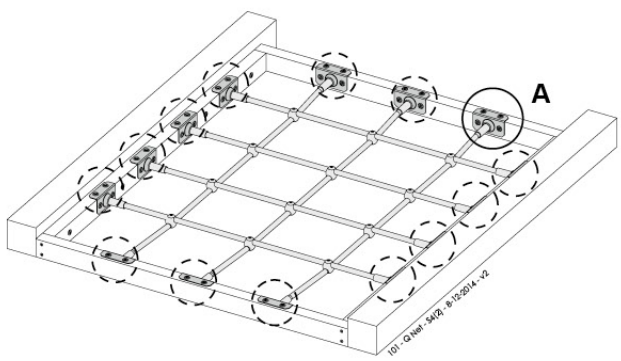
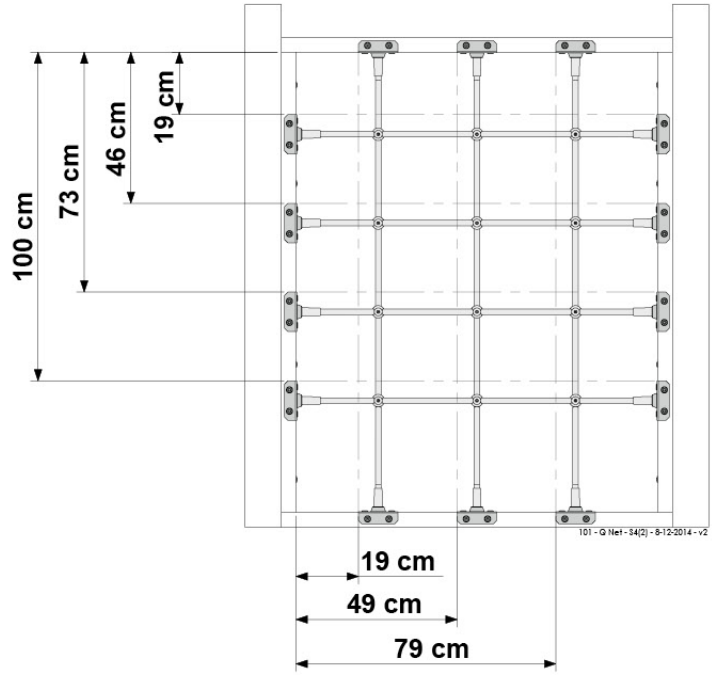
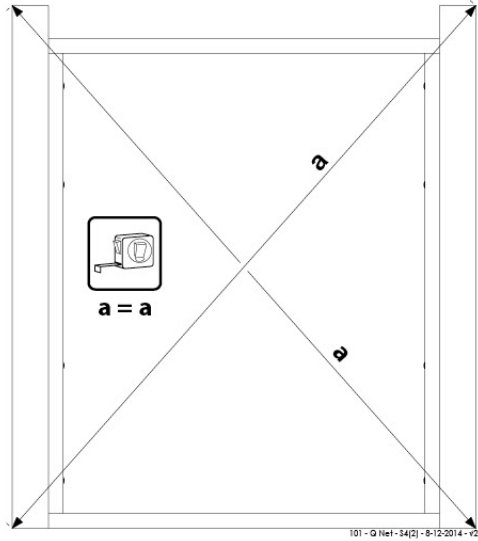


# 5.1d

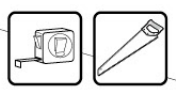
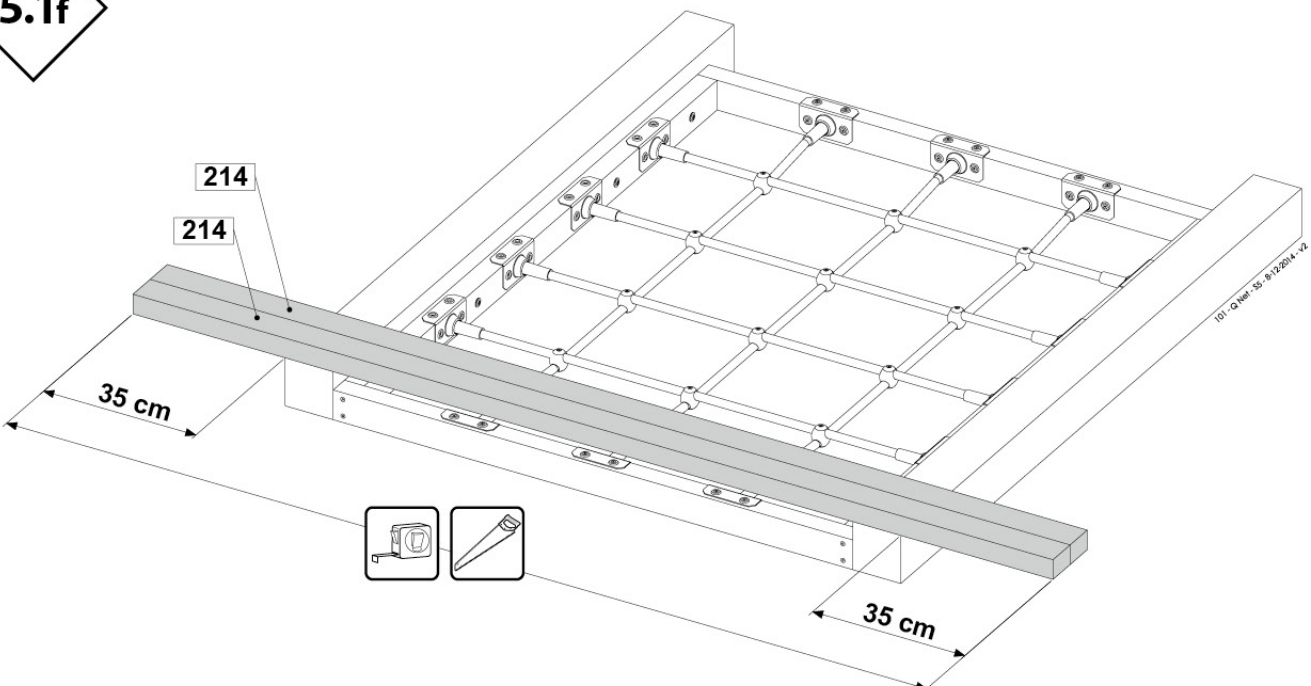


# 5.1e

56x 45 mm 

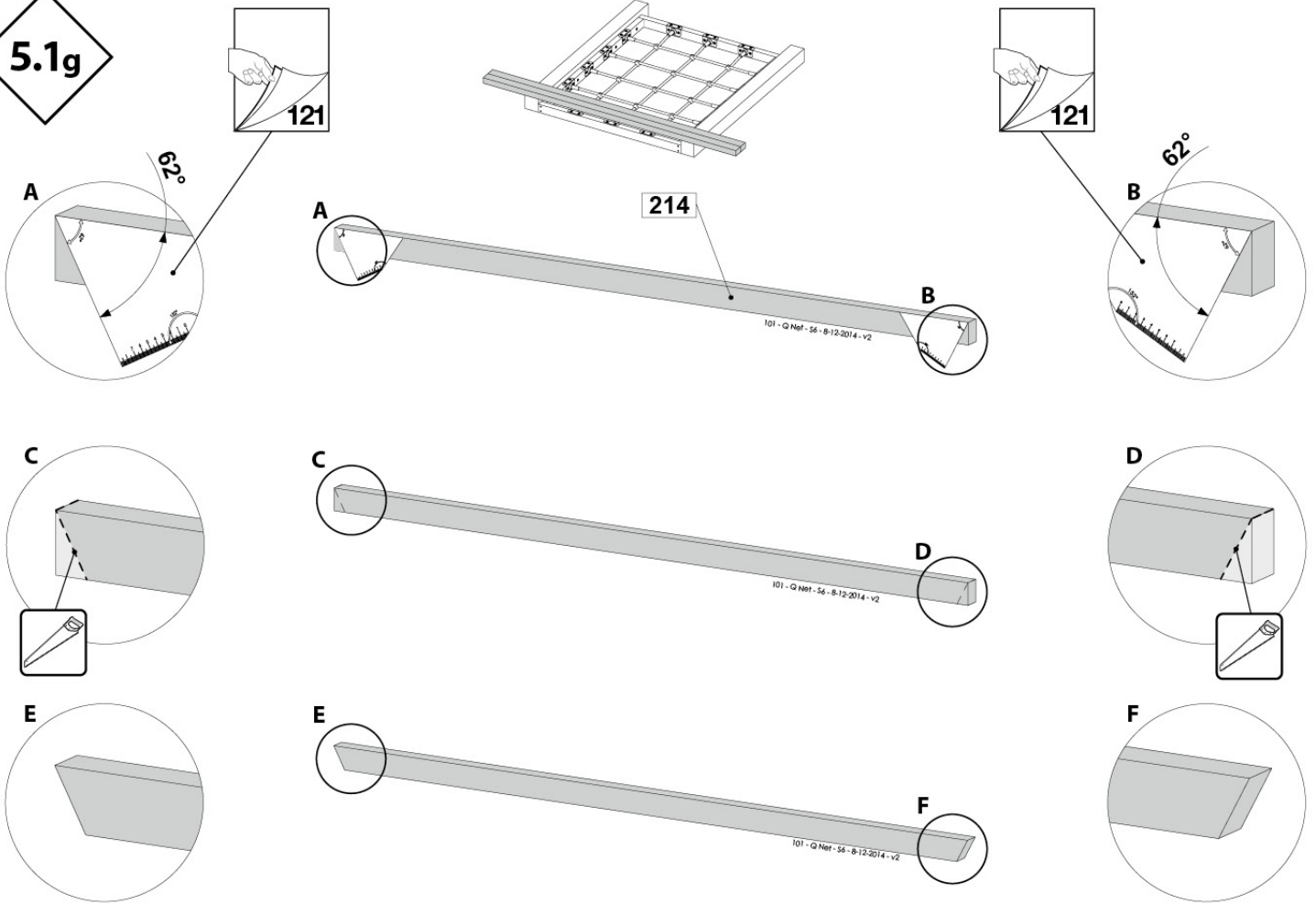


# 5.1f

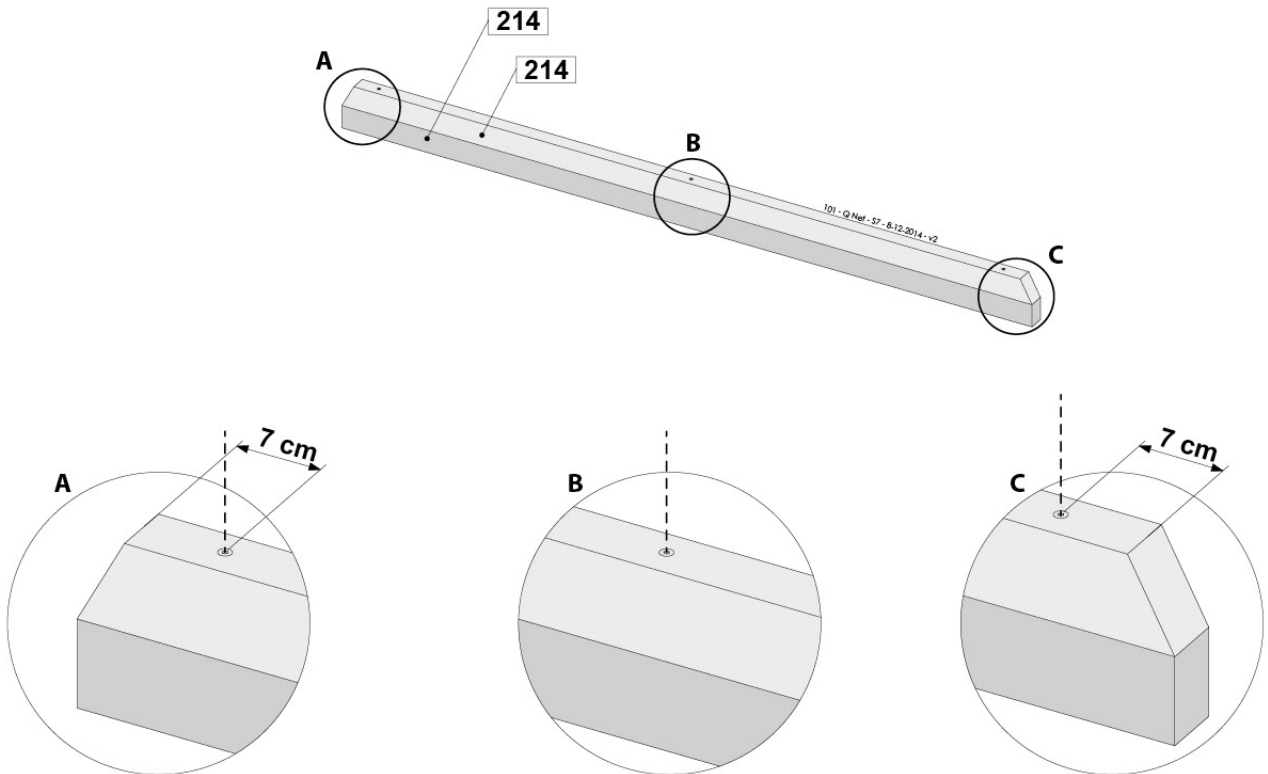




# 5.1g

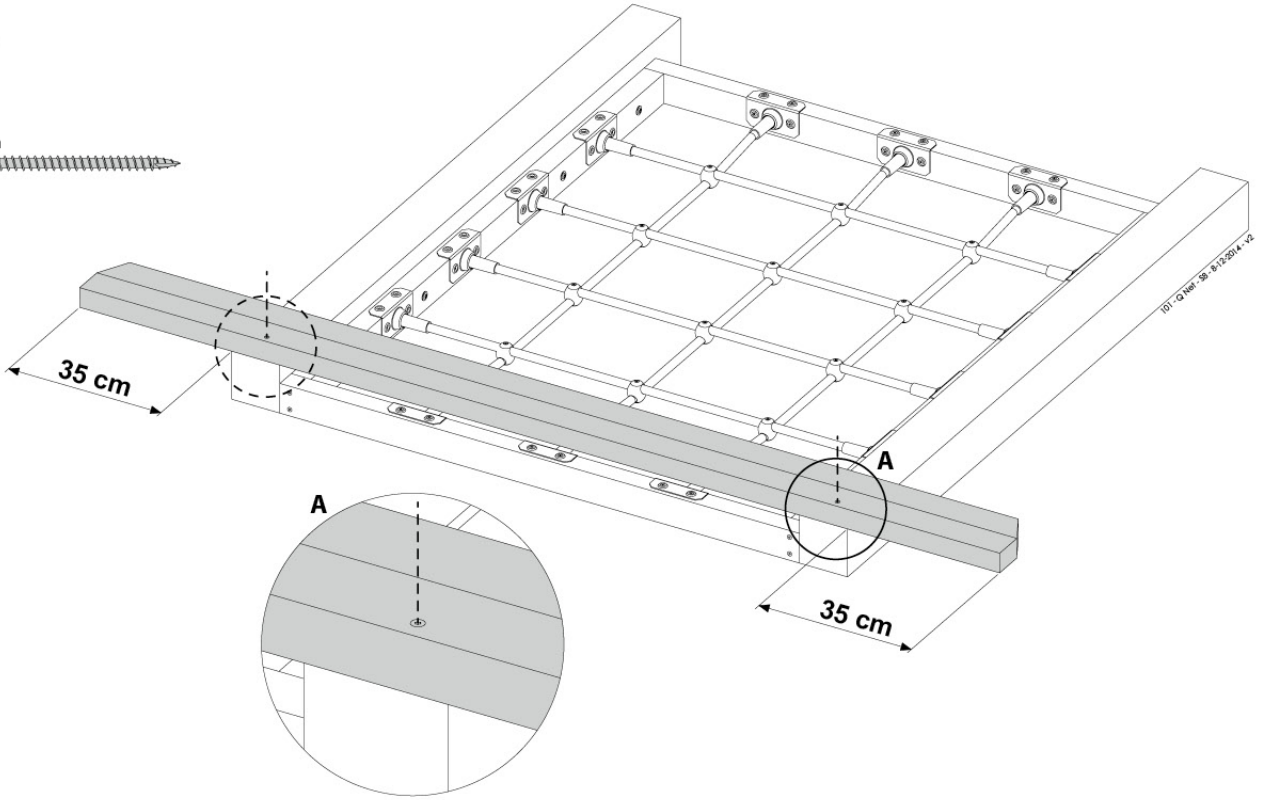


# 5.1h



5.1i

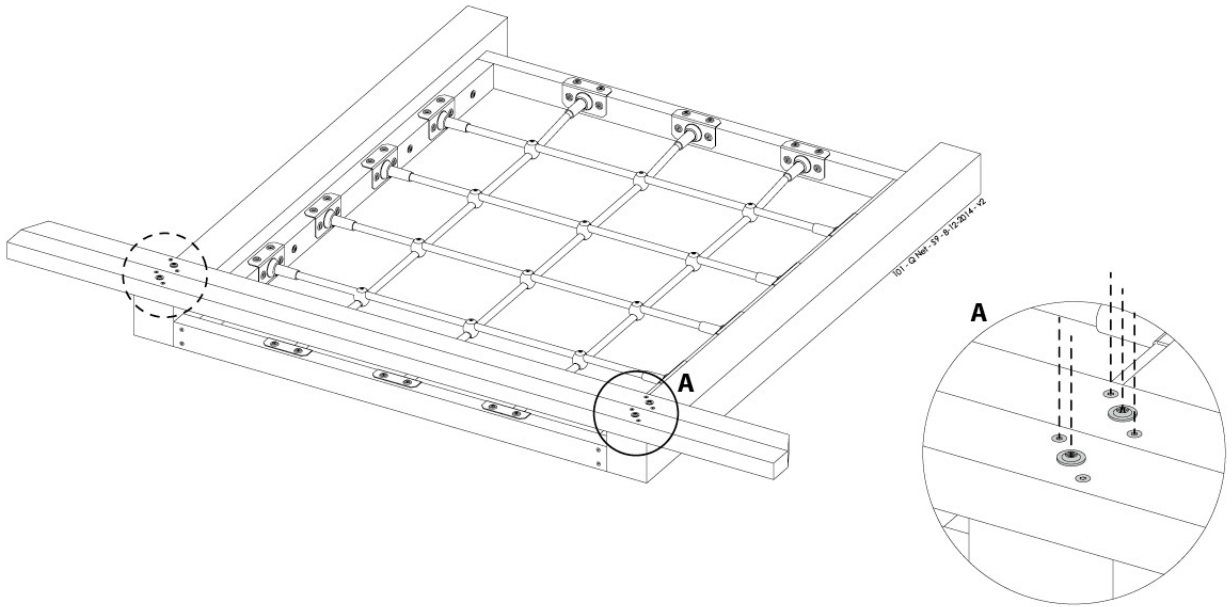
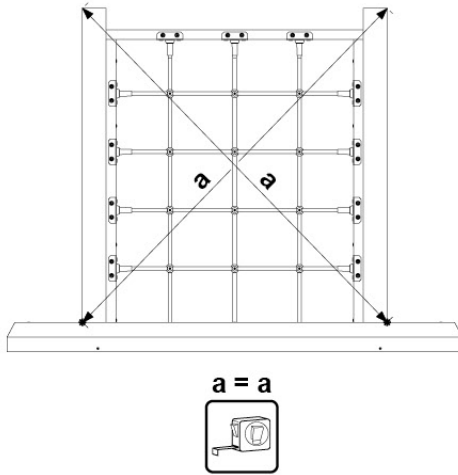
2x 80 mm



5.1j

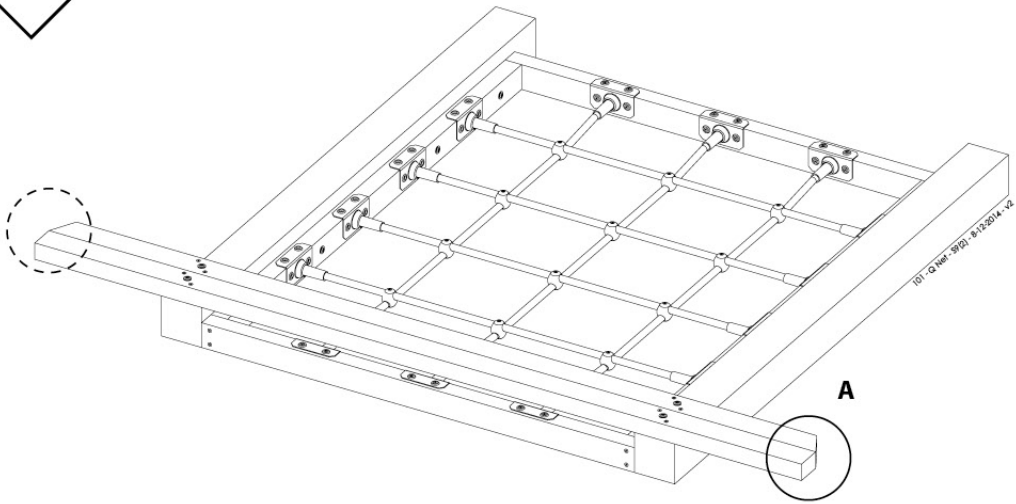
4x 80 mm

6x 80 mm

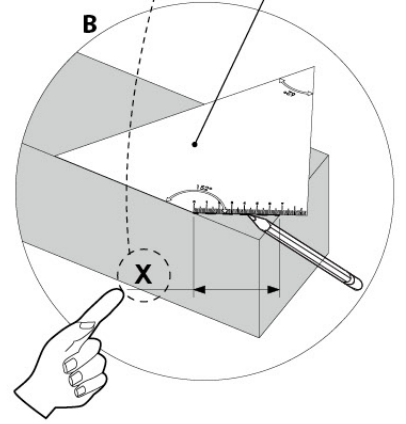
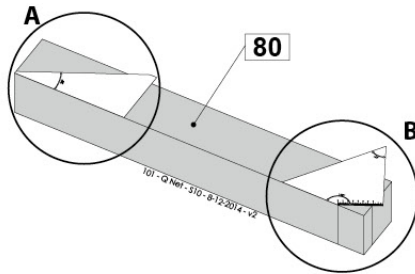
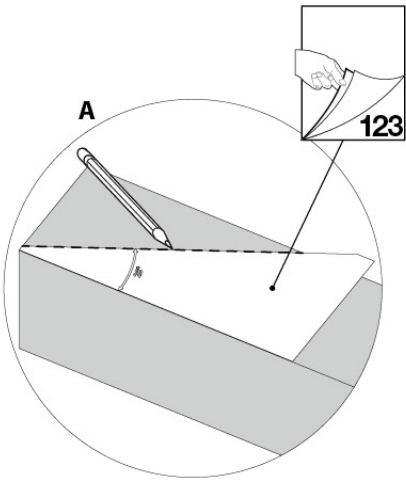


**5.1k**

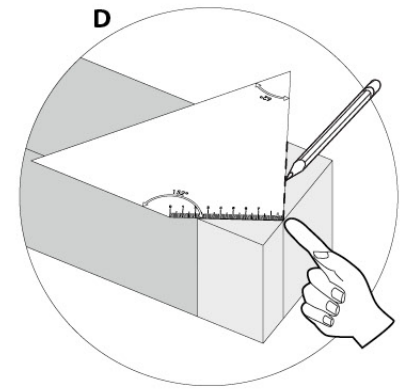
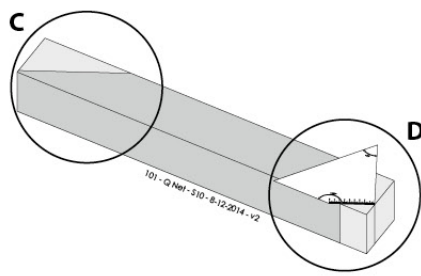
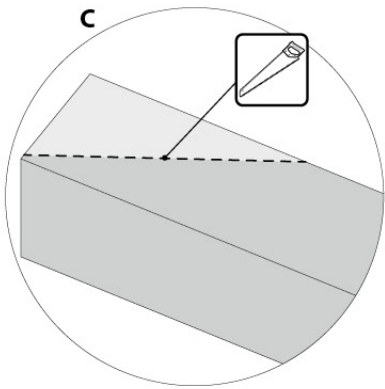
**1**



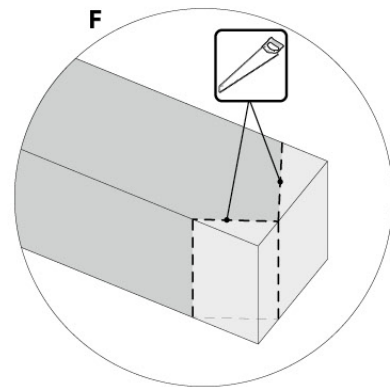
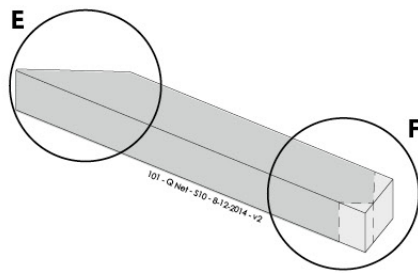
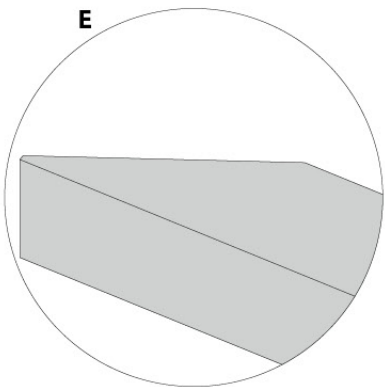
**2**



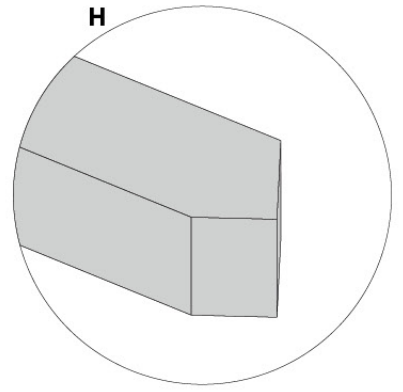
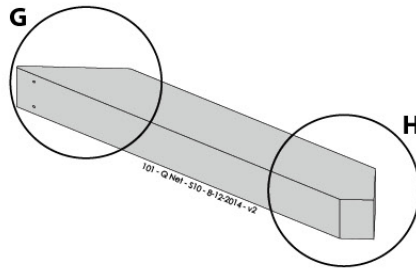
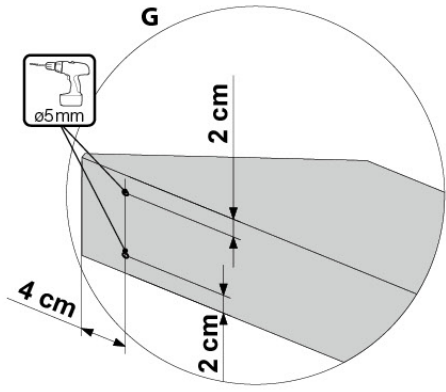
**3**



**4**



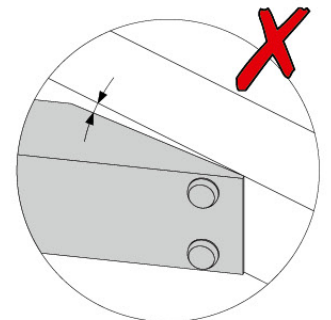
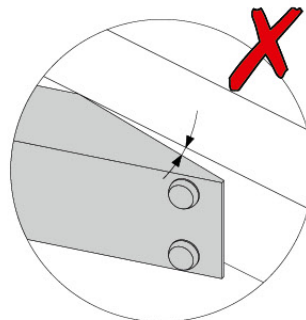
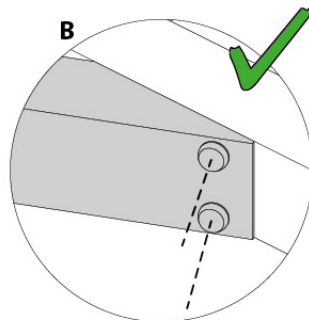
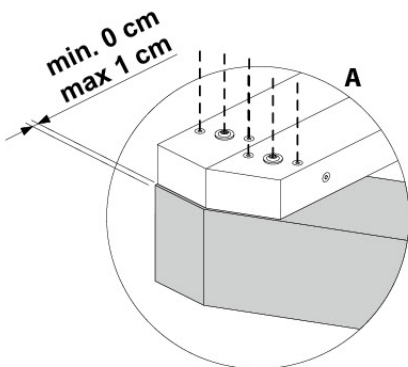
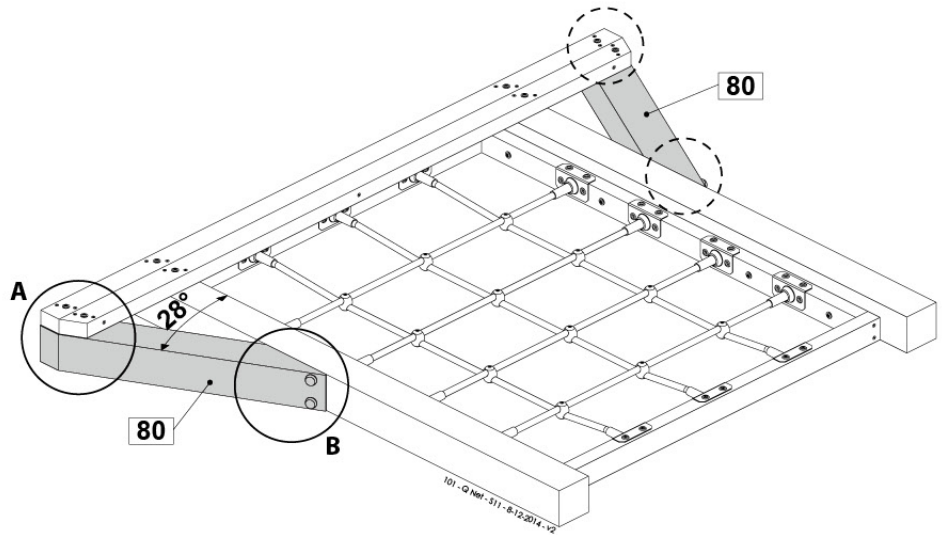
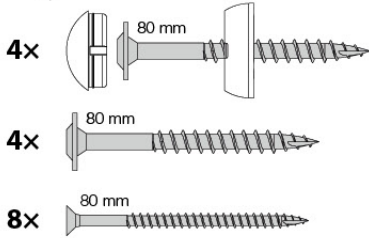
5



6



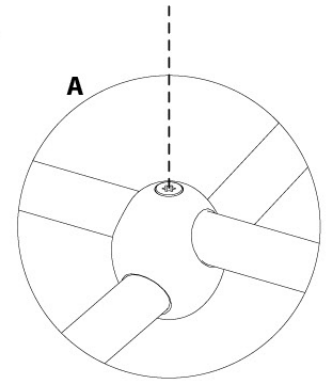
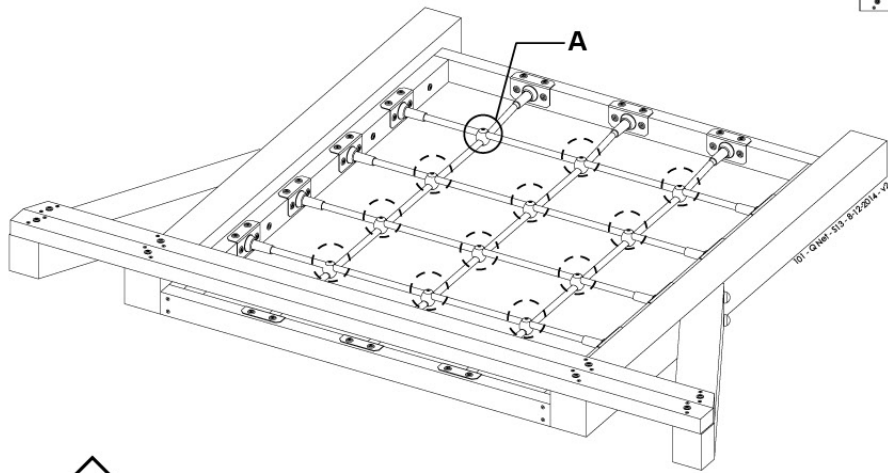
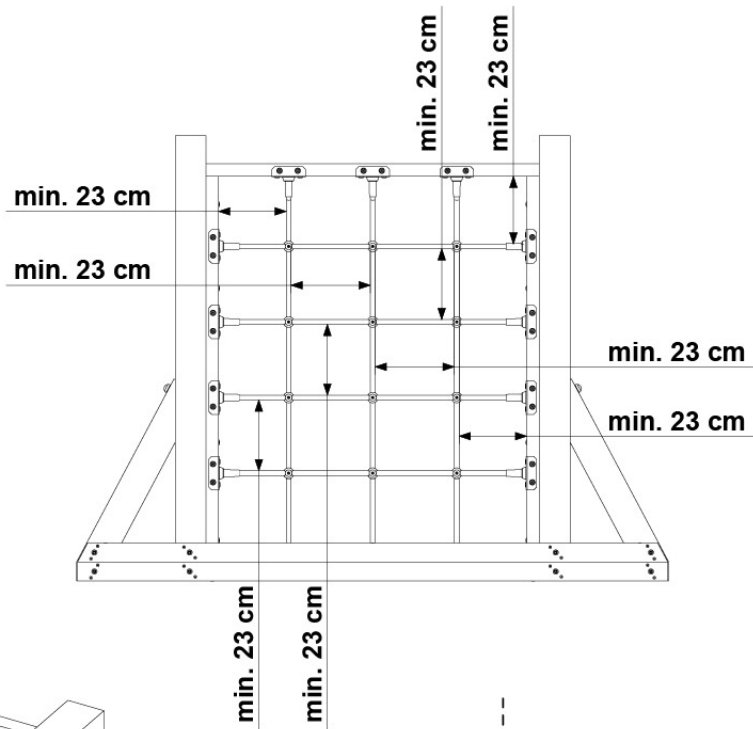
1 - 5





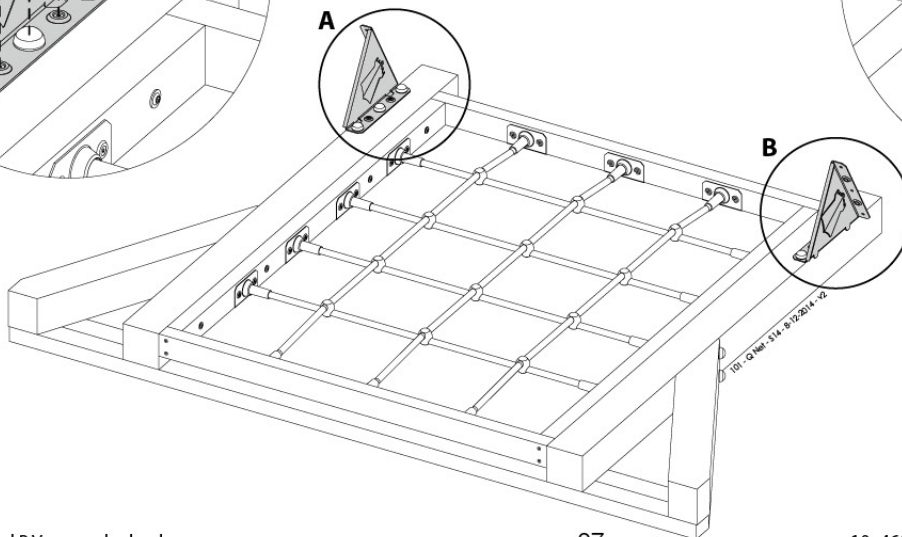
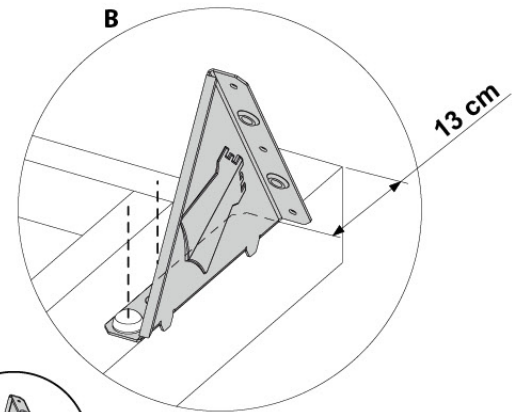
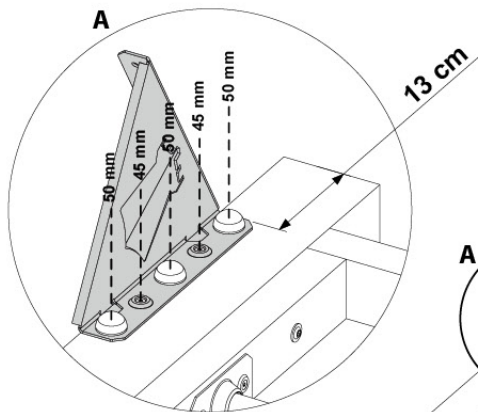
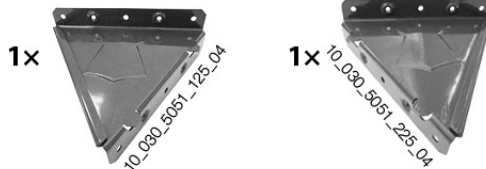
# 5.1m

12x 40 mm

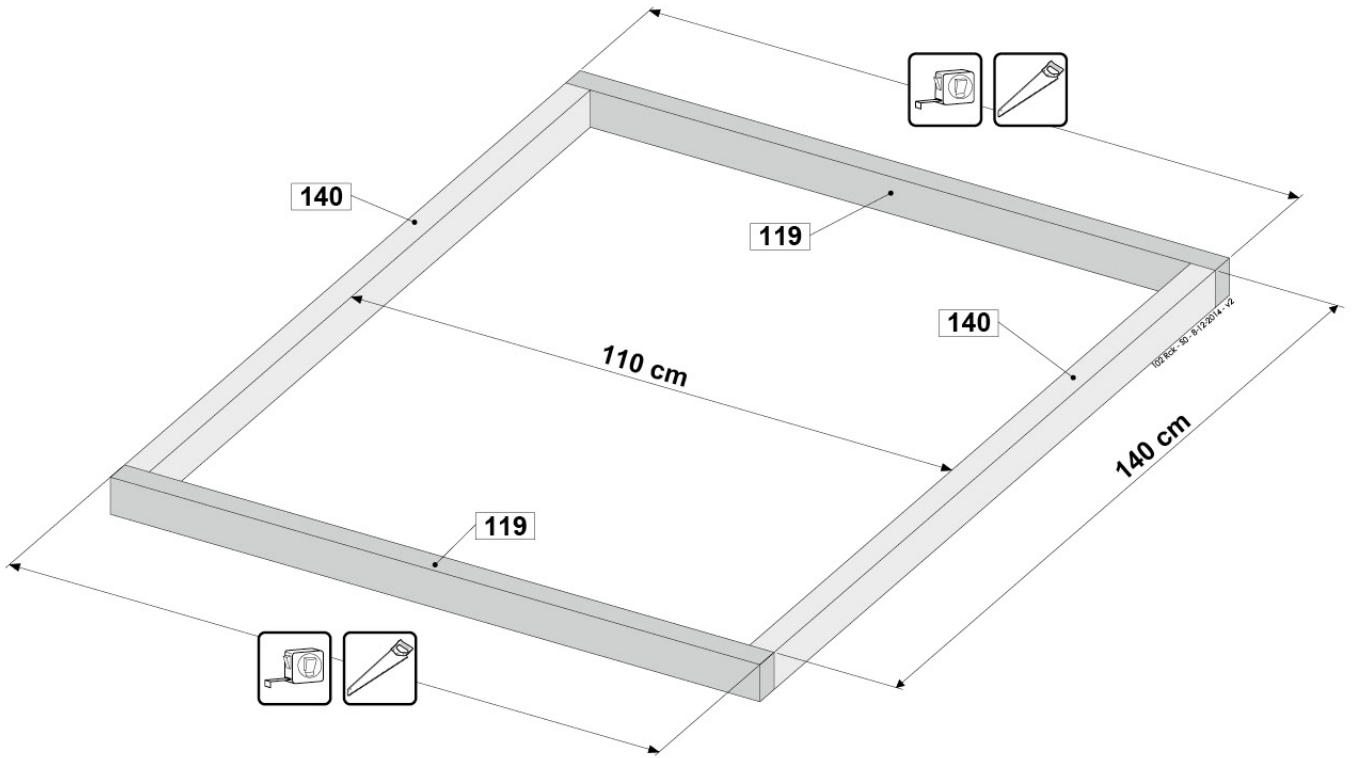


# 5.1n

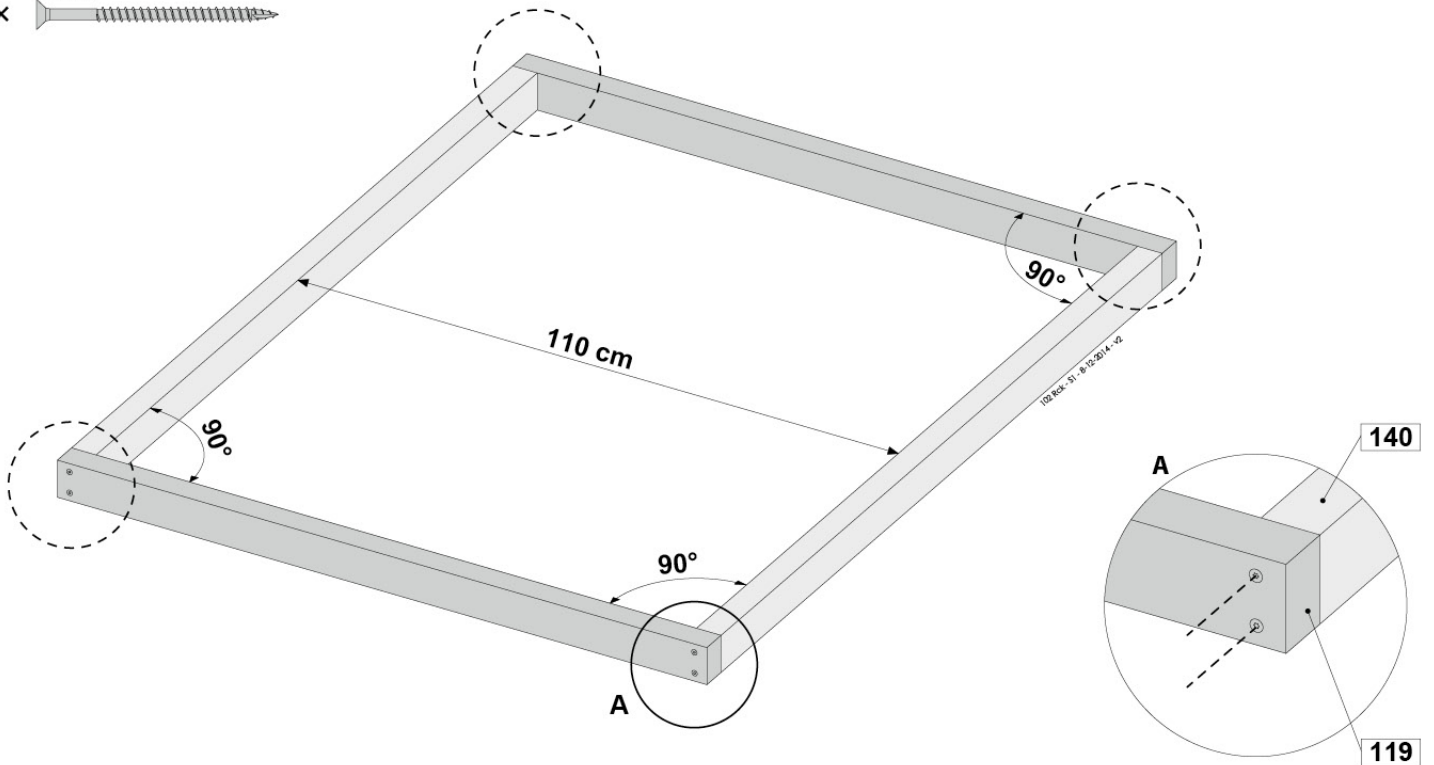
6x 45 mm  
 ø17 mm  
 4x 45 mm



5.2a

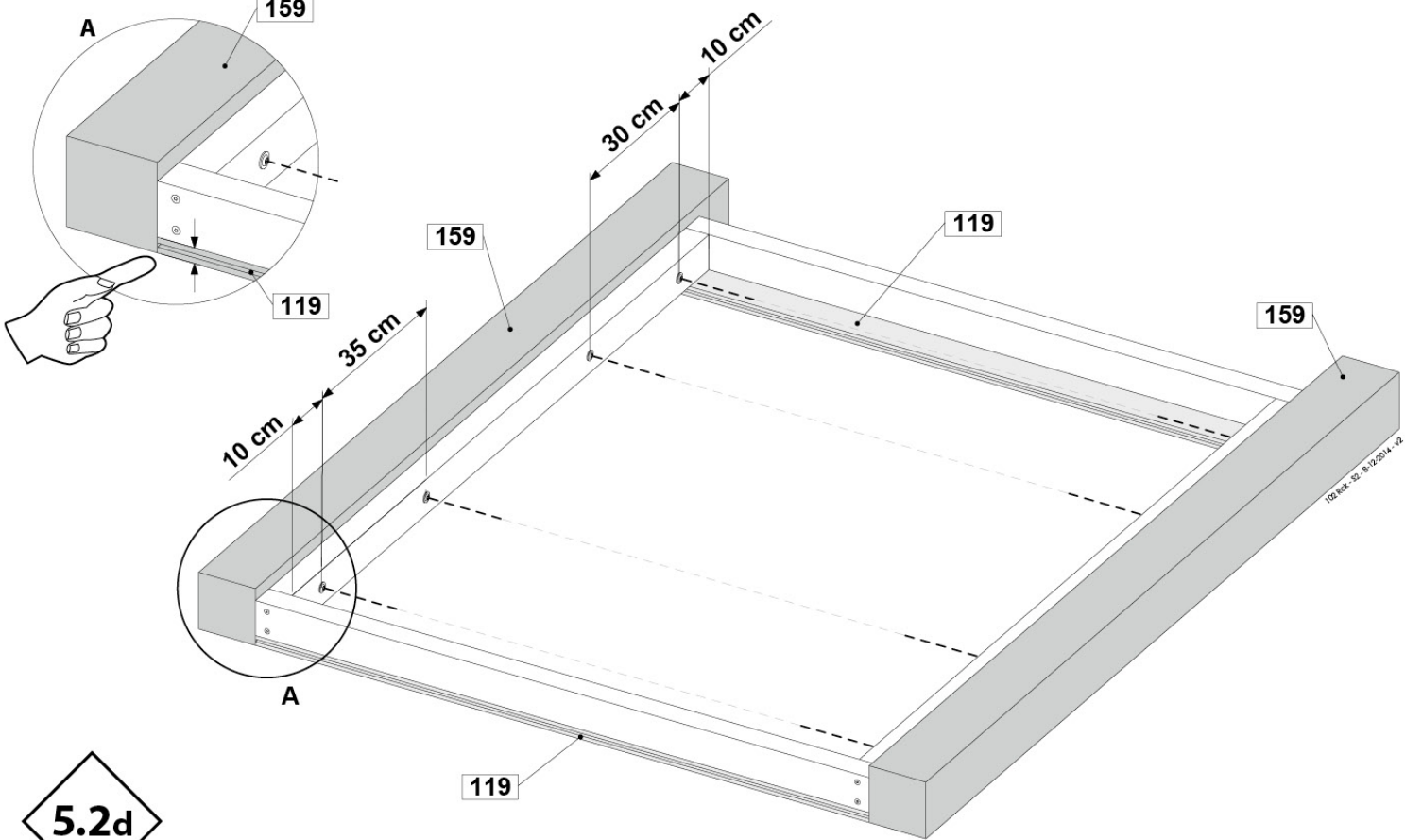


5.2b



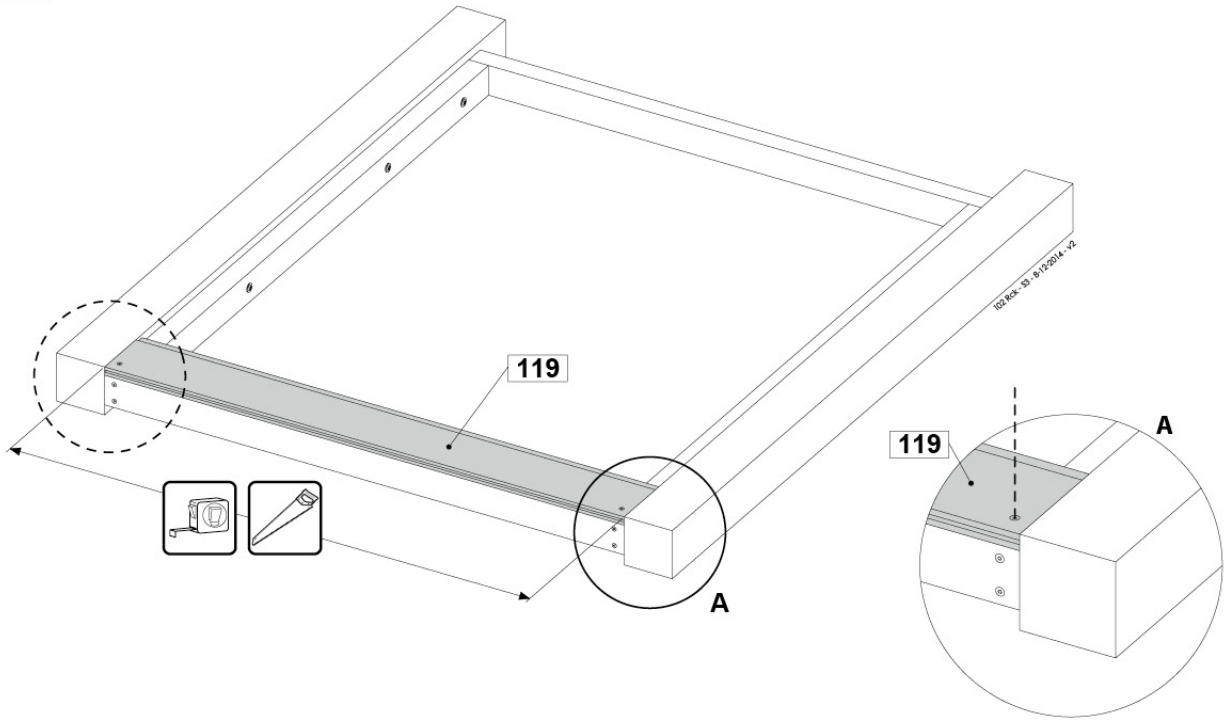
# 5.2c

8x 80 mm



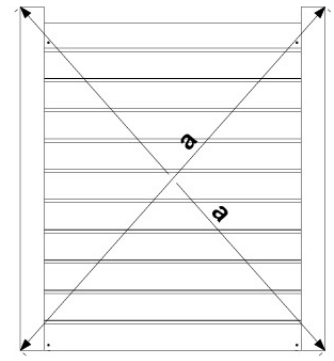
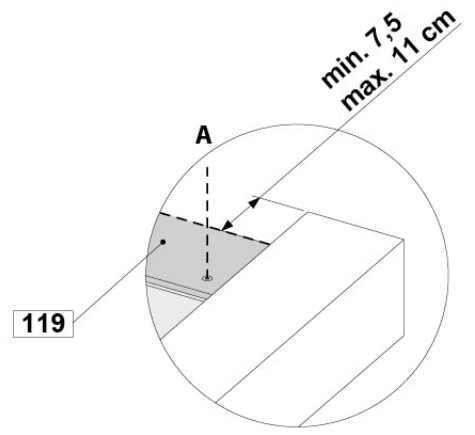
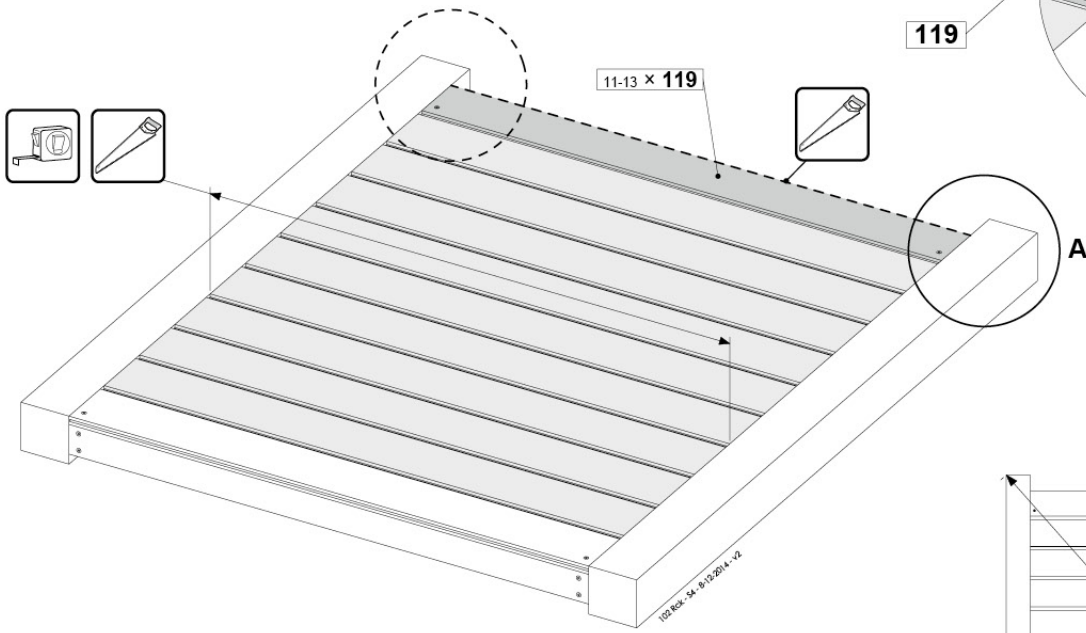
# 5.2d

2x 45 mm



# 5.2e

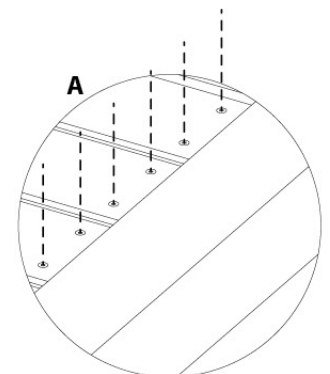
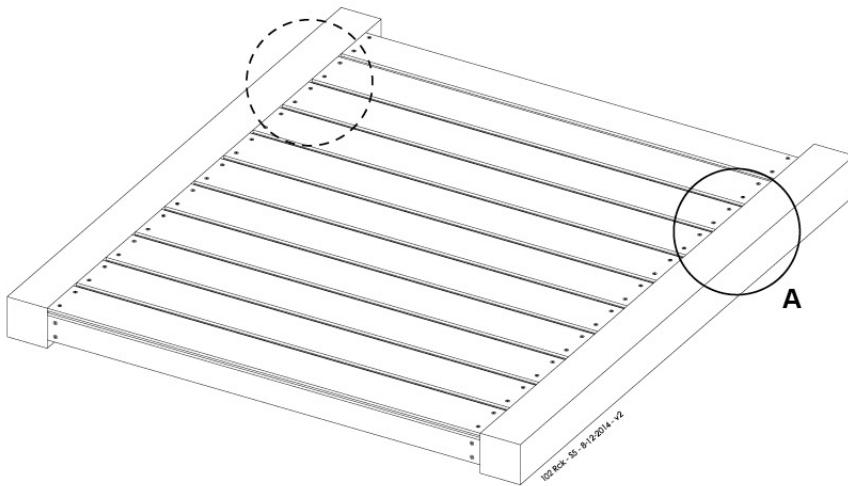
2x 45 mm

  
a = a



# 5.2f

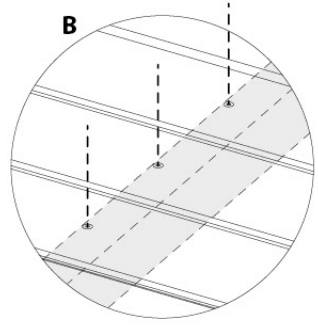
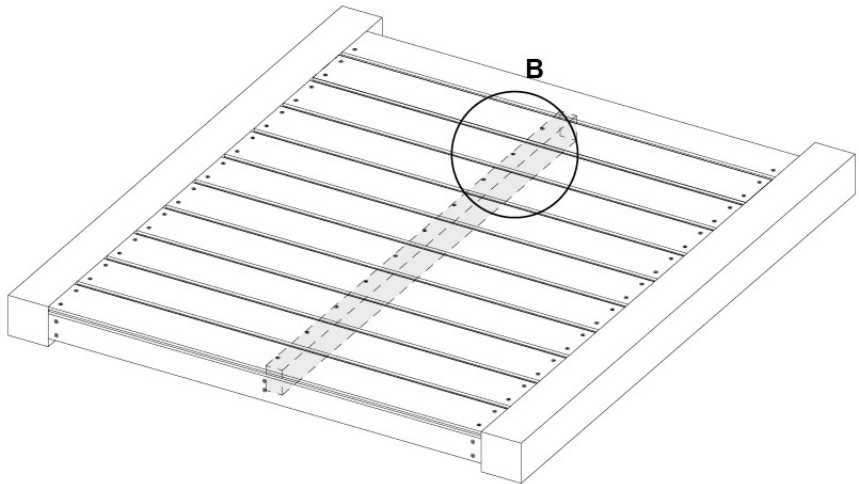
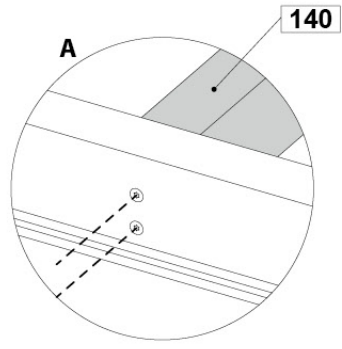
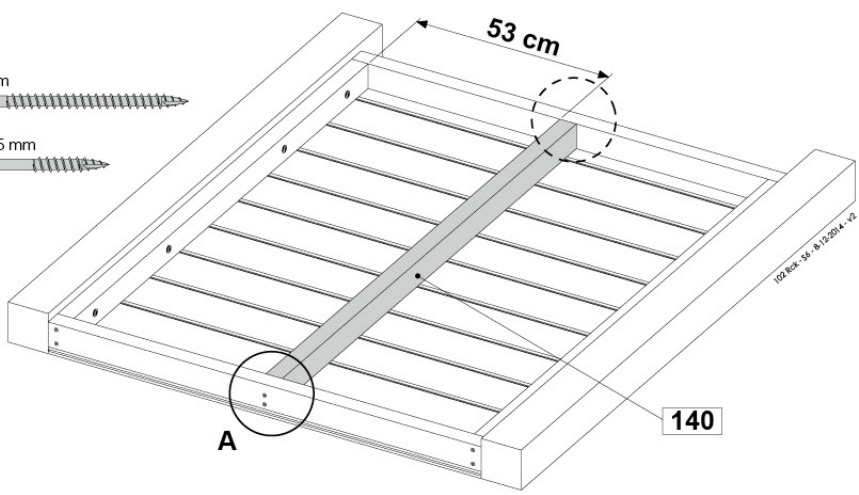
44 - 52x 45 mm

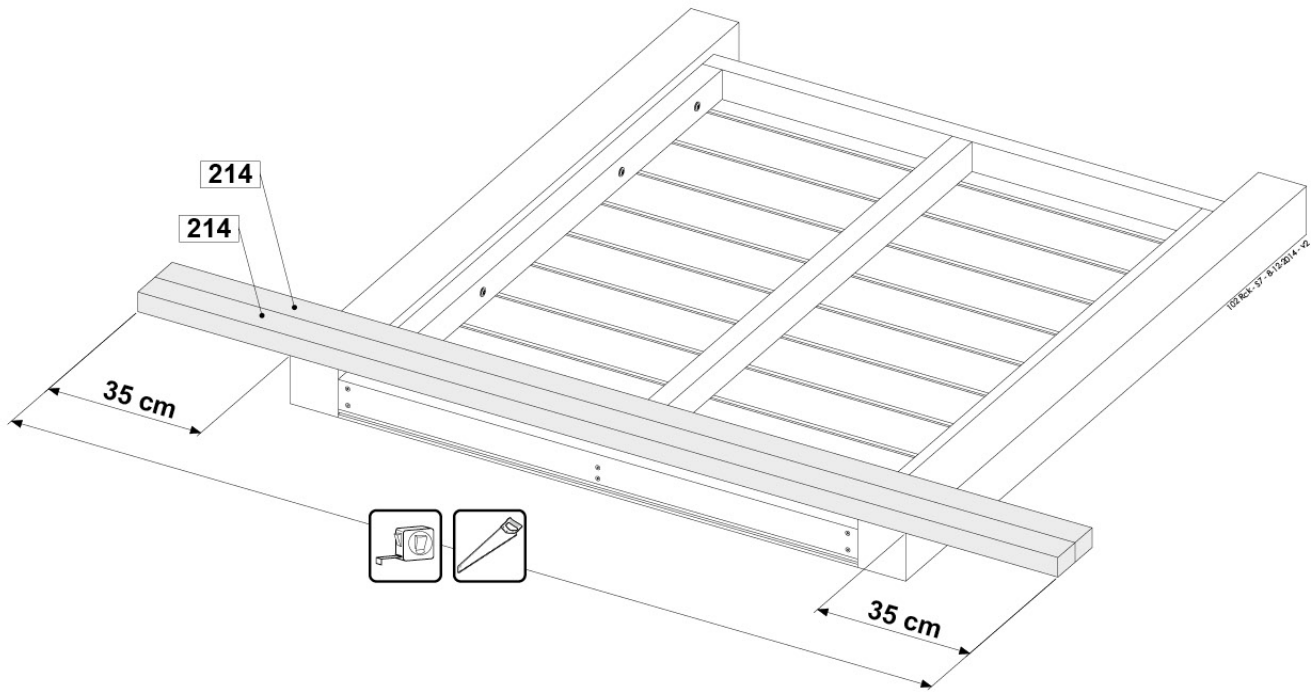


**5.2g**

- 4x 80 mm 
- 12 - 14x 45 mm 

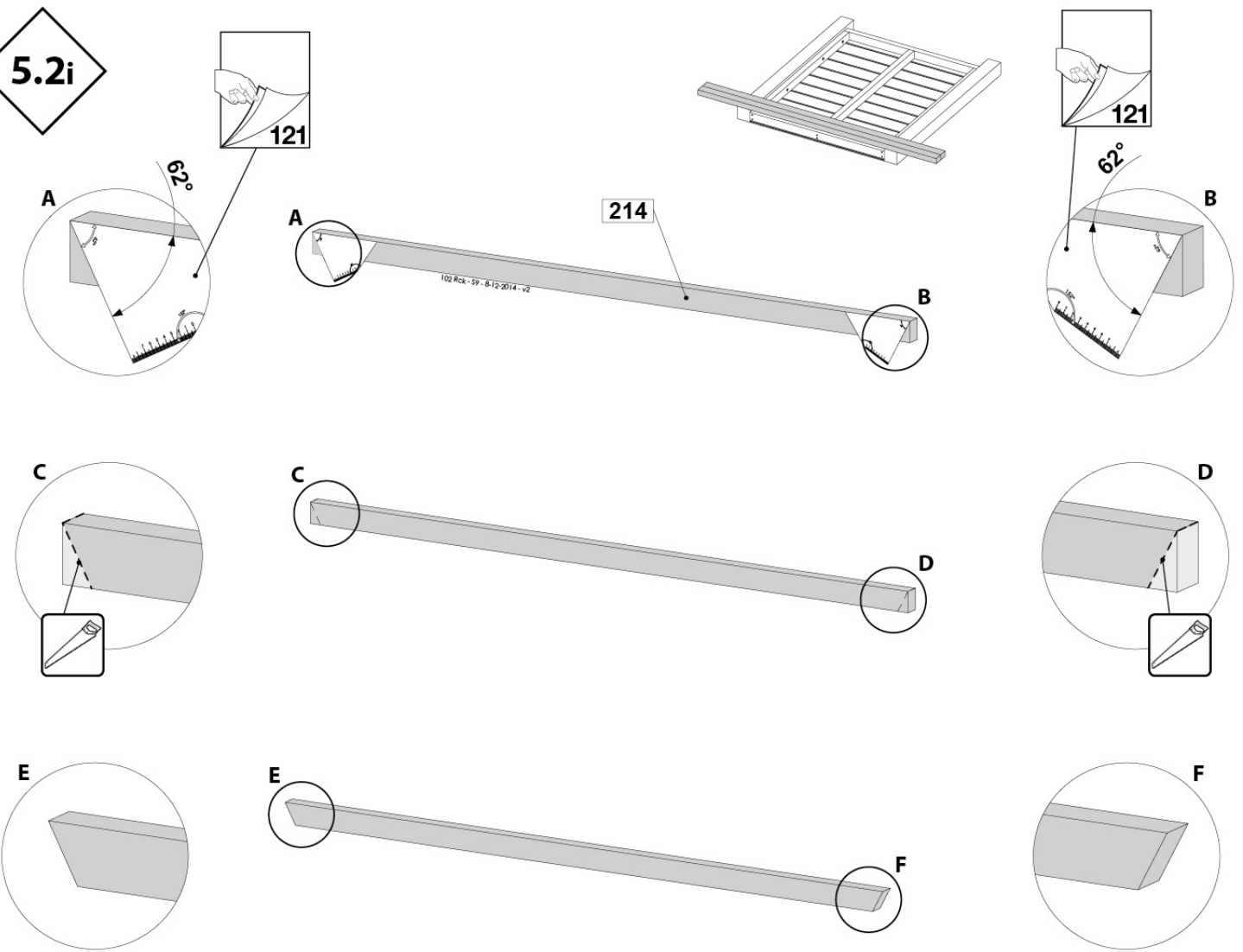


**5.2h**

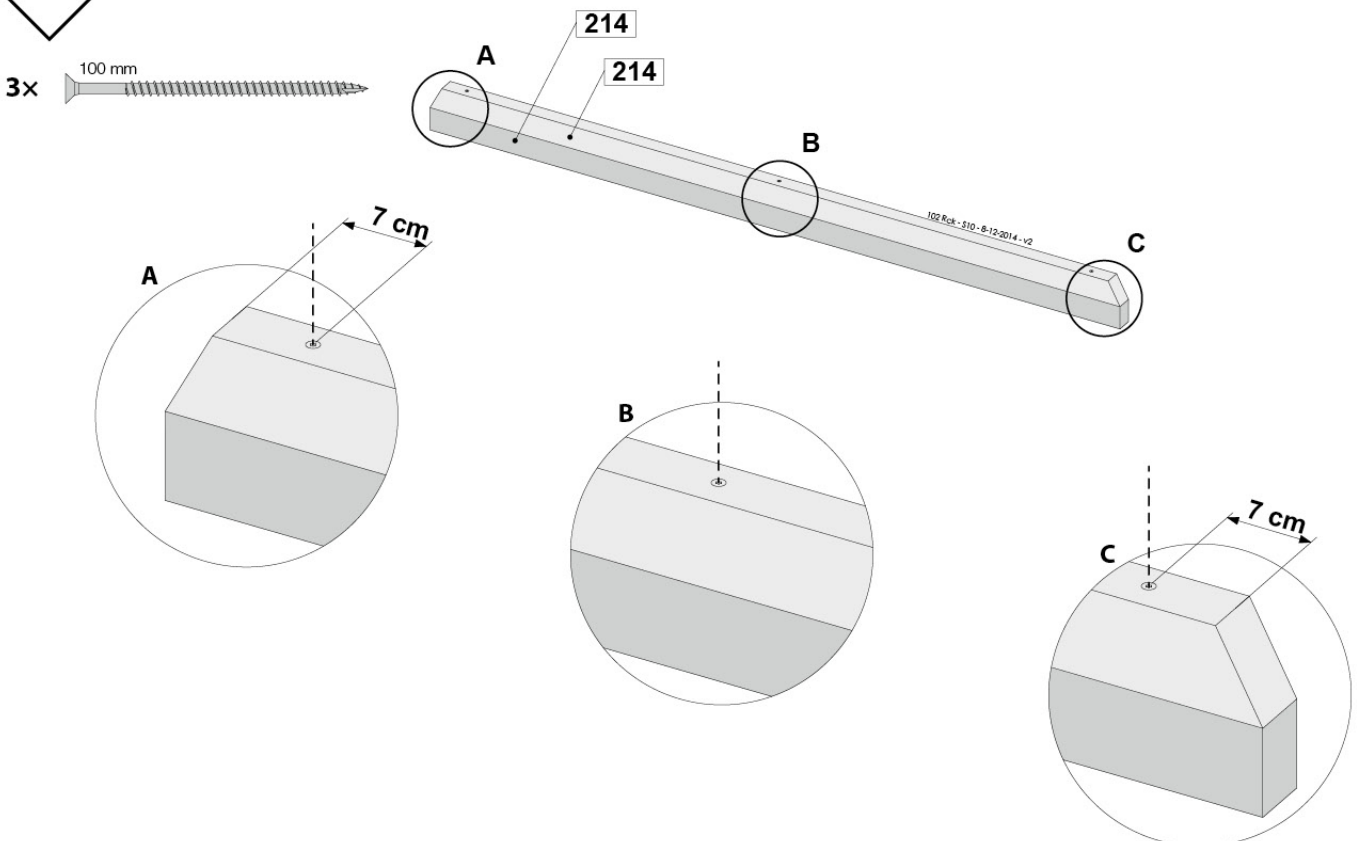





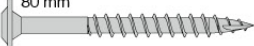
5.2i

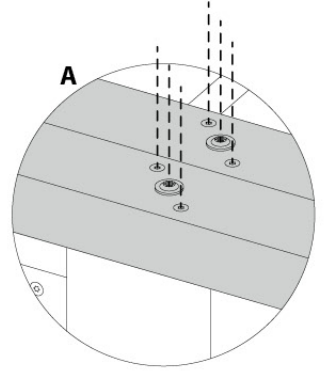
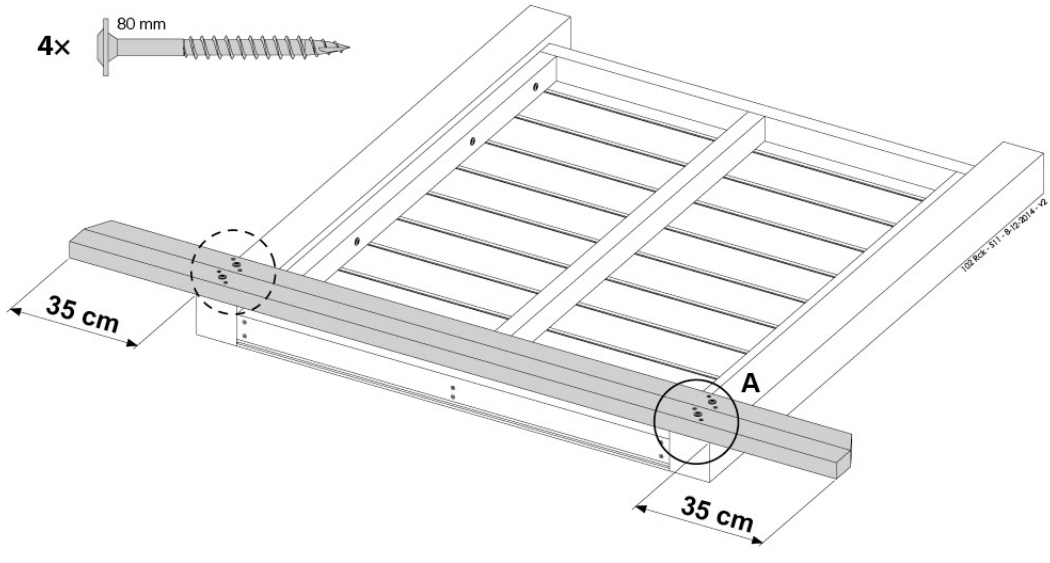


5.2j



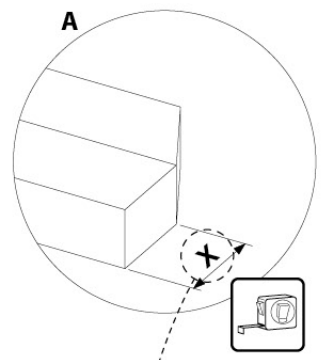
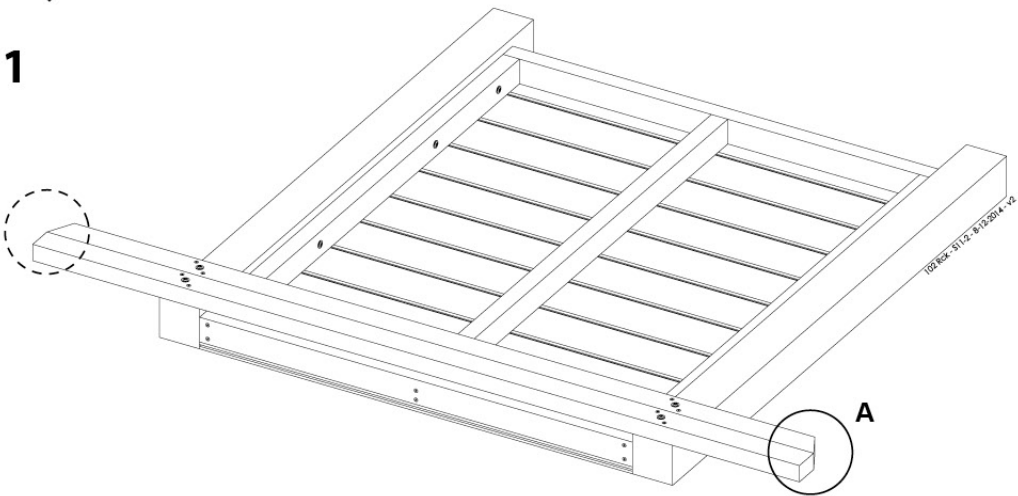
# 5.2k

- 8x 80 mm 
- 4x 80 mm 

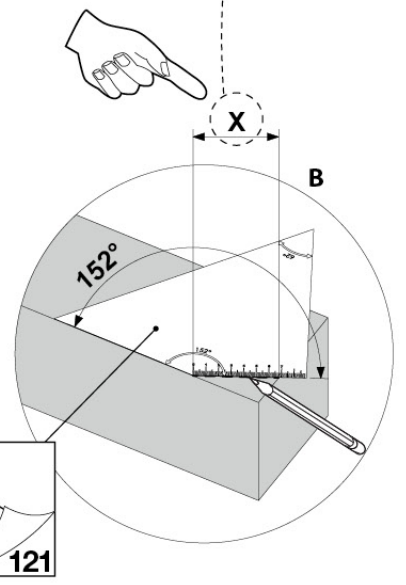
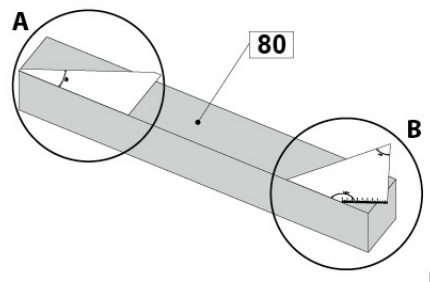
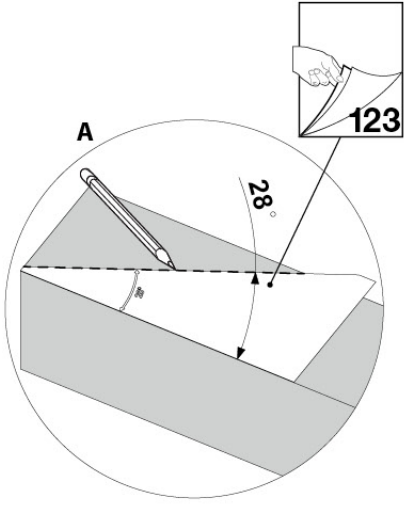


# 5.2L

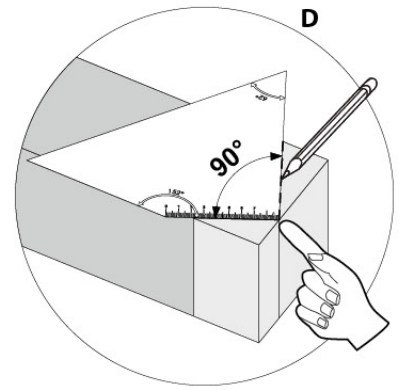
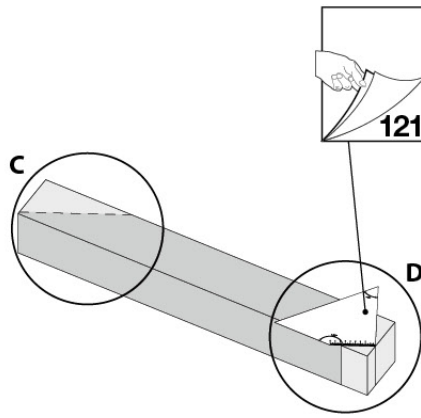
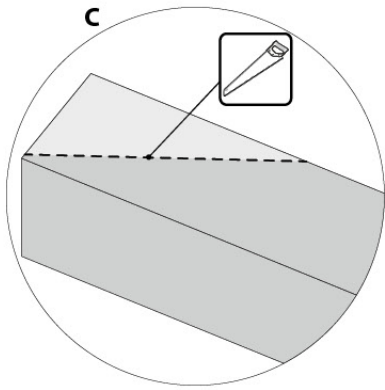
1



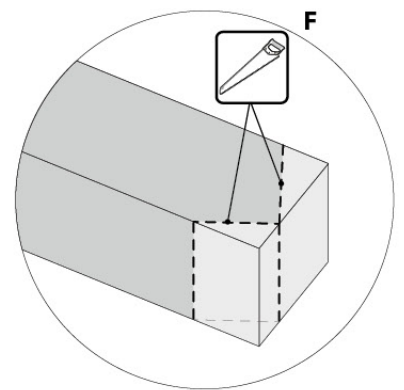
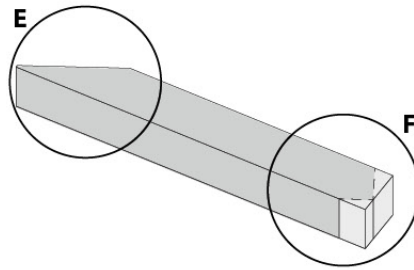
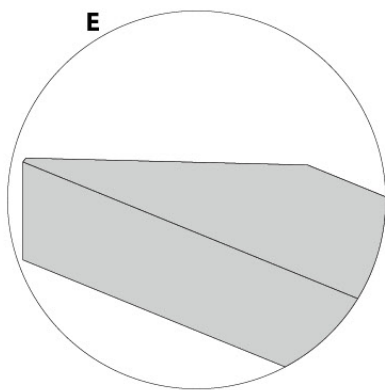
2



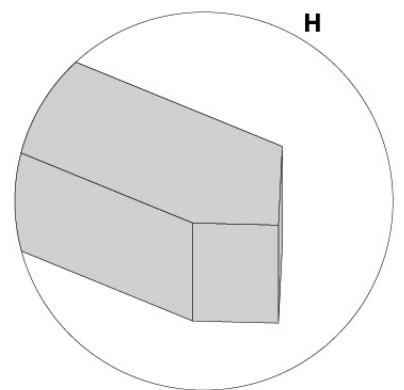
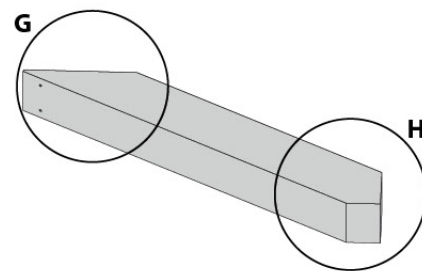
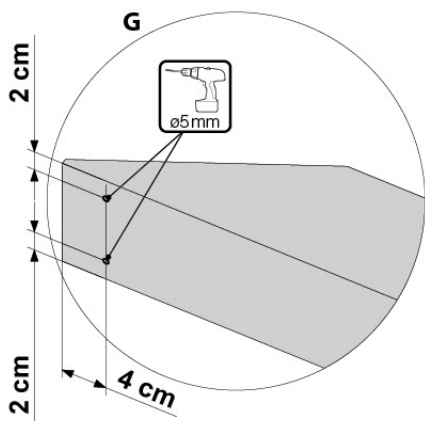
3



4



5

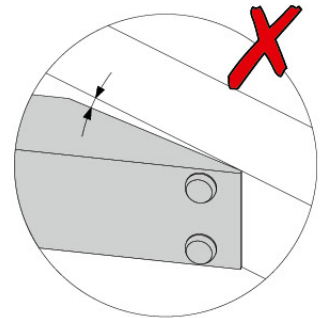
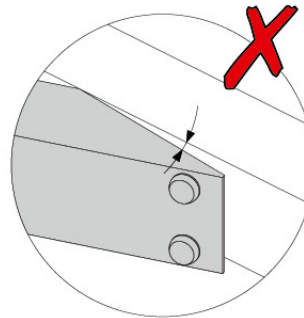
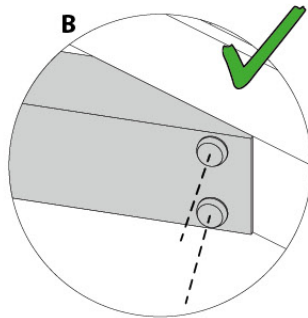
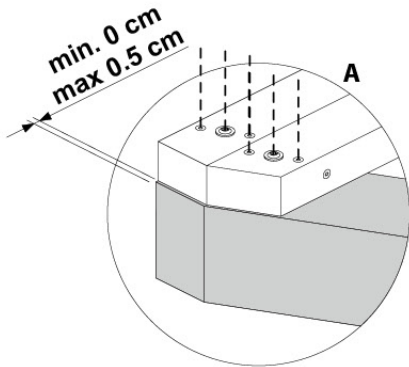
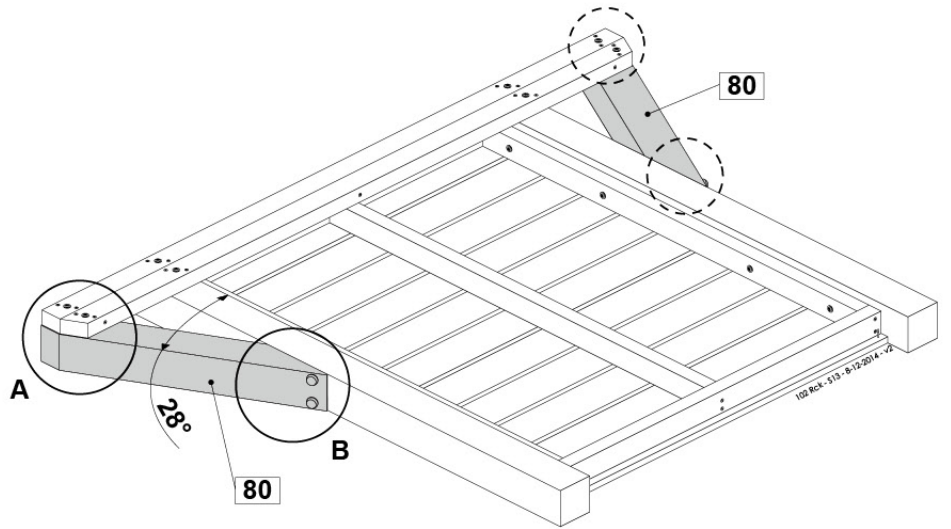
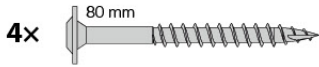
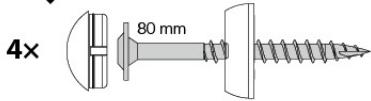


6

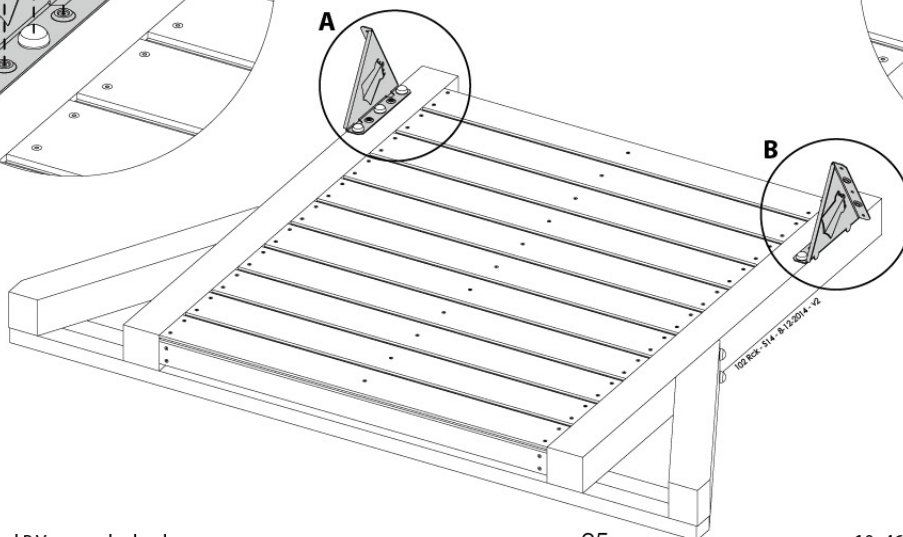
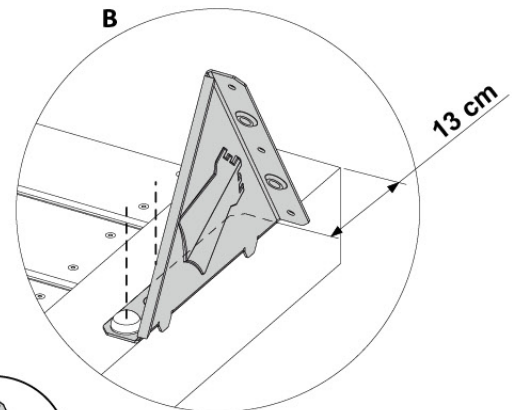
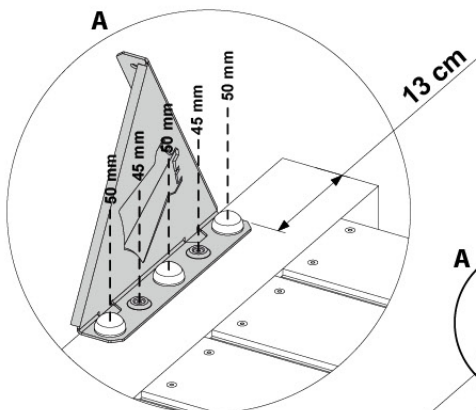
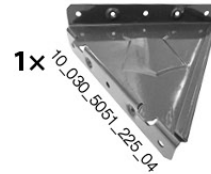
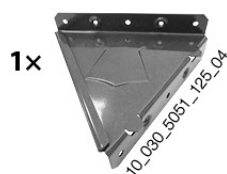
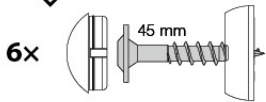
5.2L 1 - 5

2x

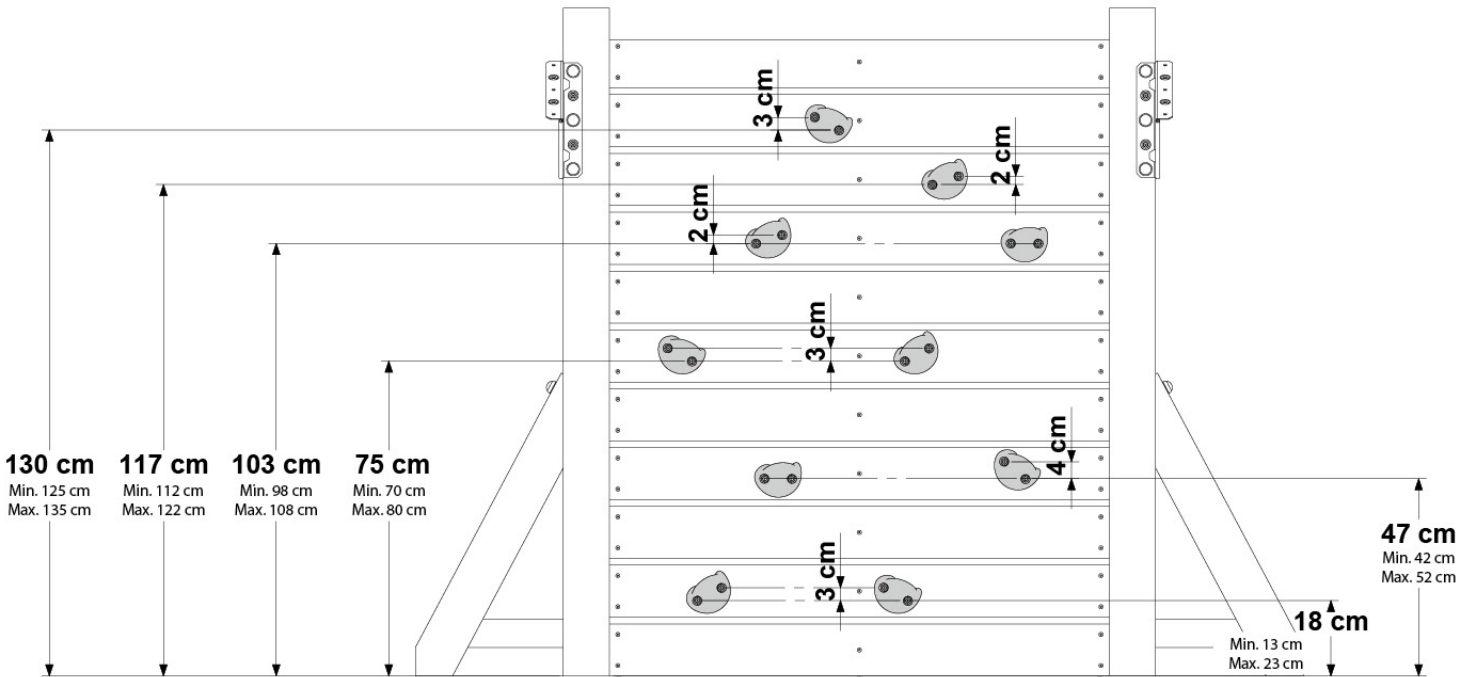
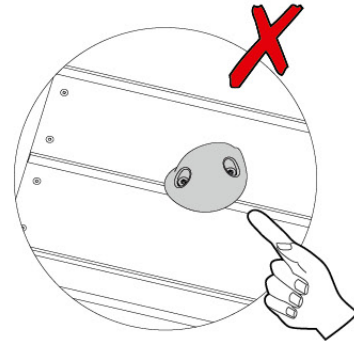
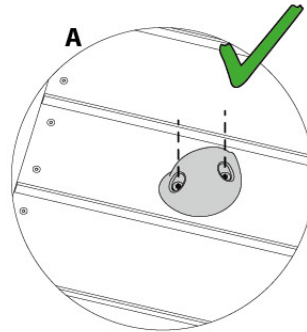
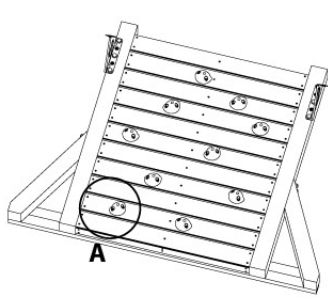
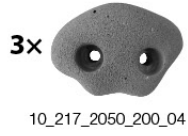
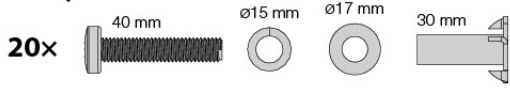
# 5.2m



# 5.2n

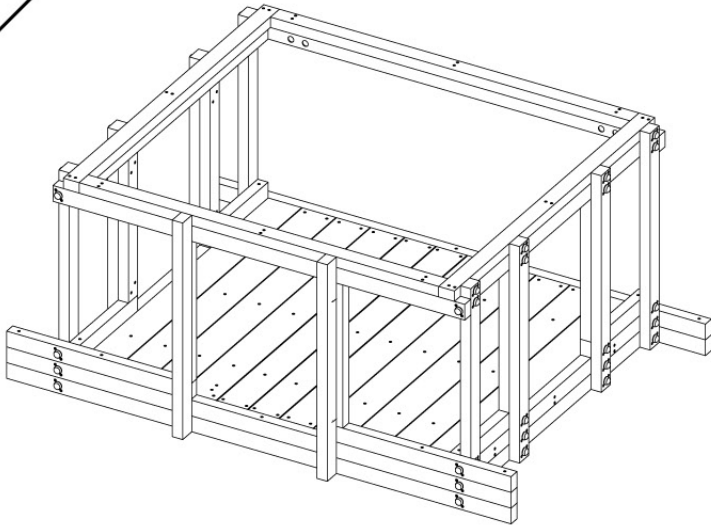


# 5.2o

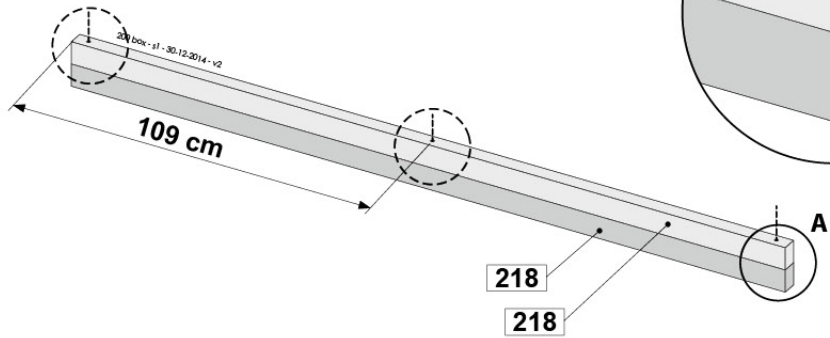




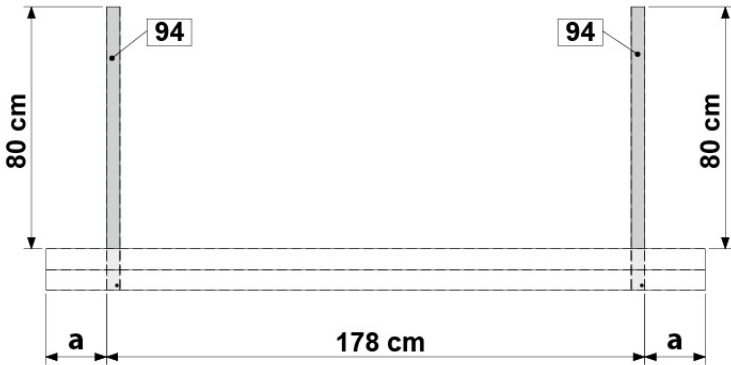
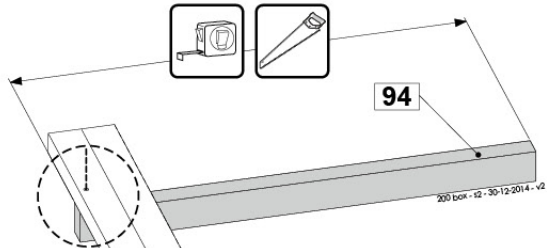
6



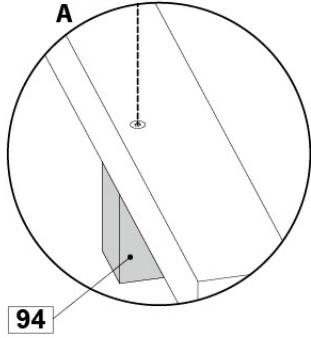
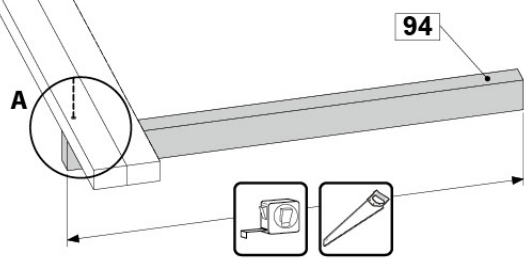
6a



6b

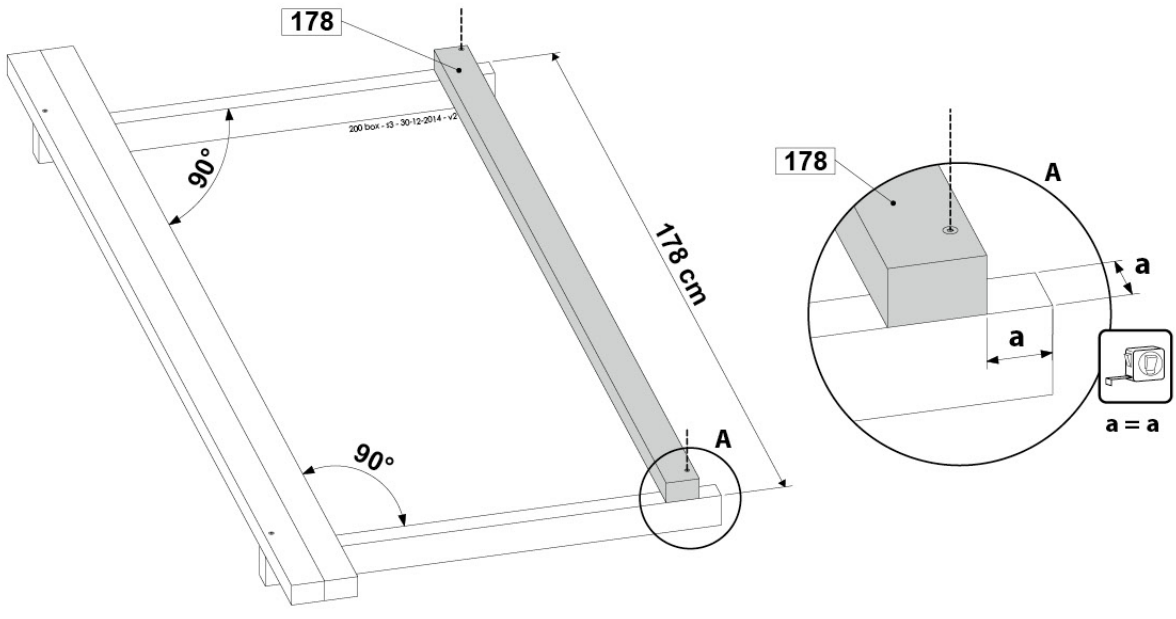


a = a

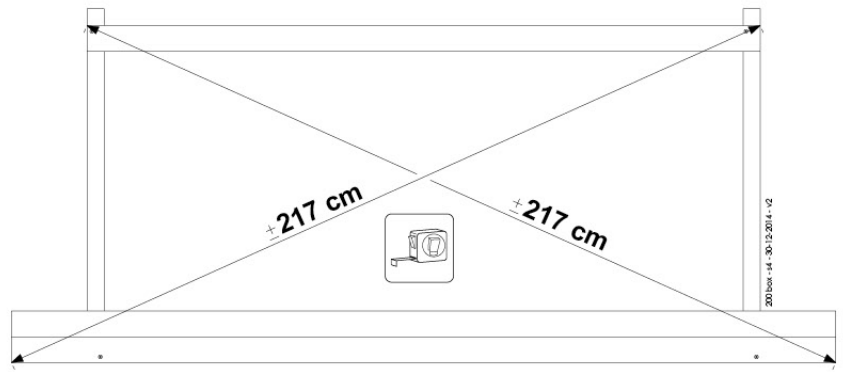


**6c**

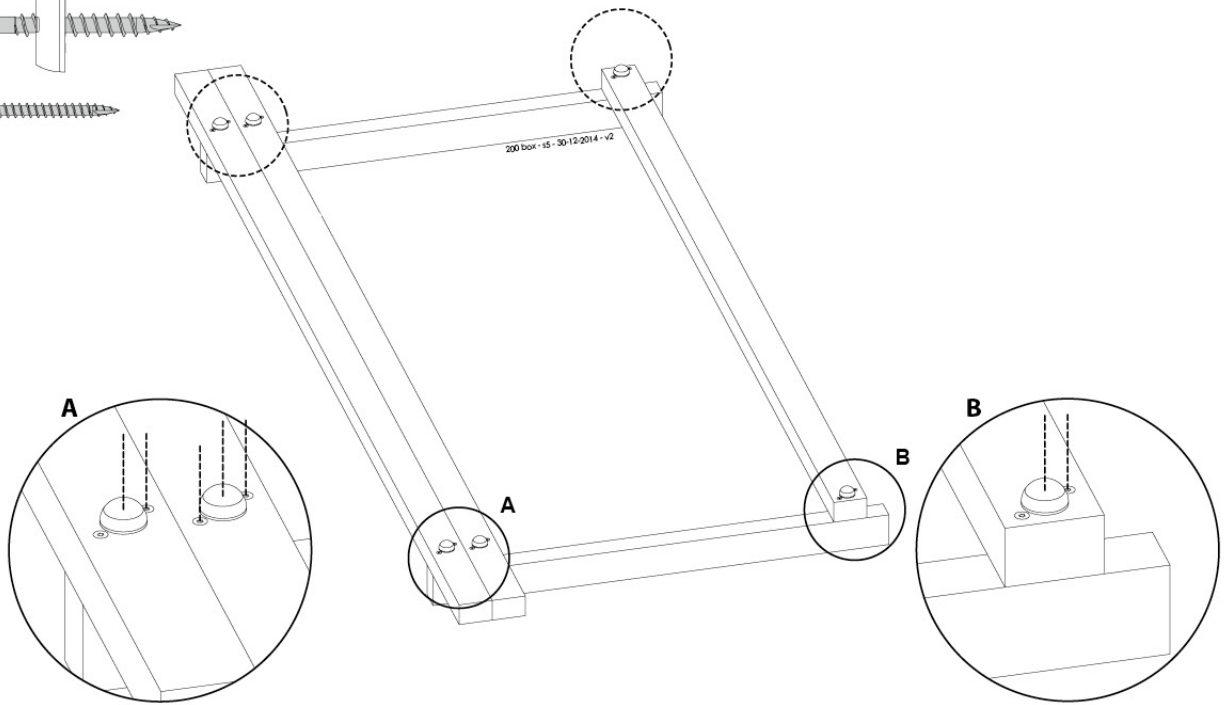
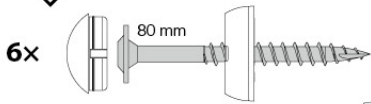
2x 80 mm 



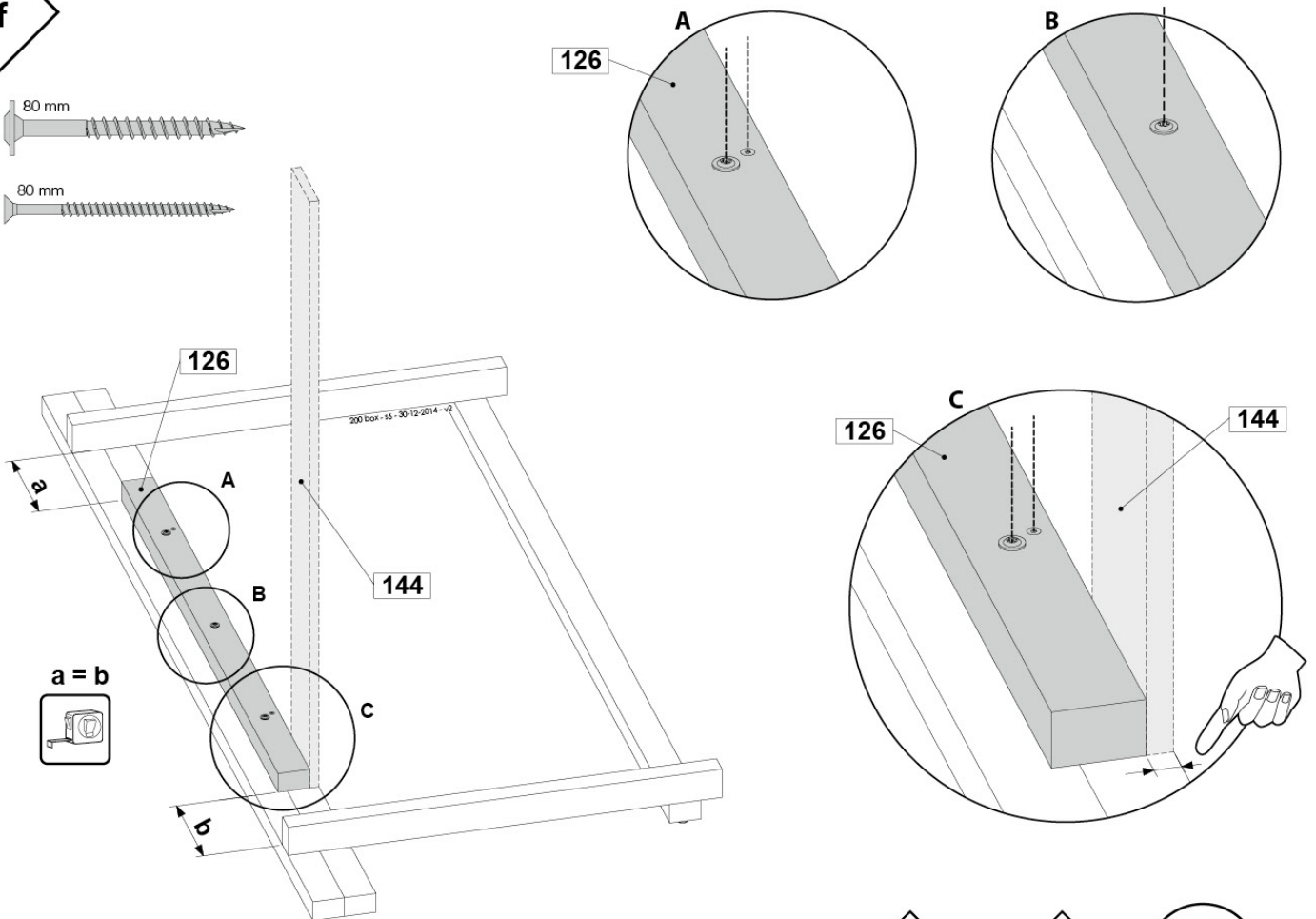
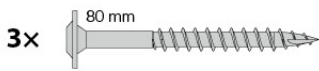
**6d**



# 6e



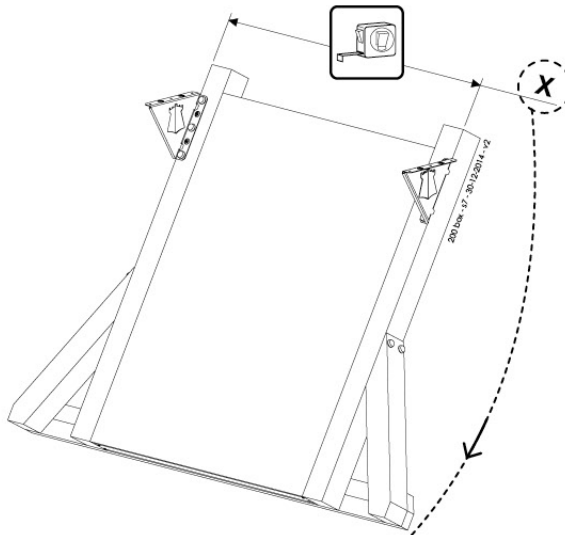
# 6f



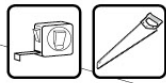
6a — 6f (2x)

**6g**

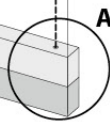
6x 100 mm



144  
144



X

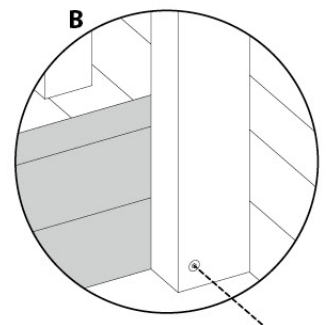
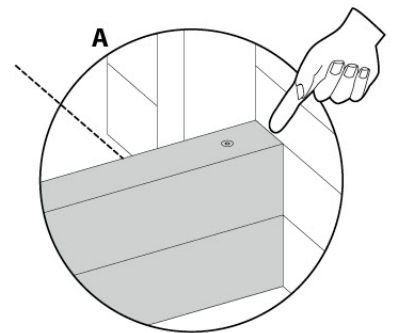
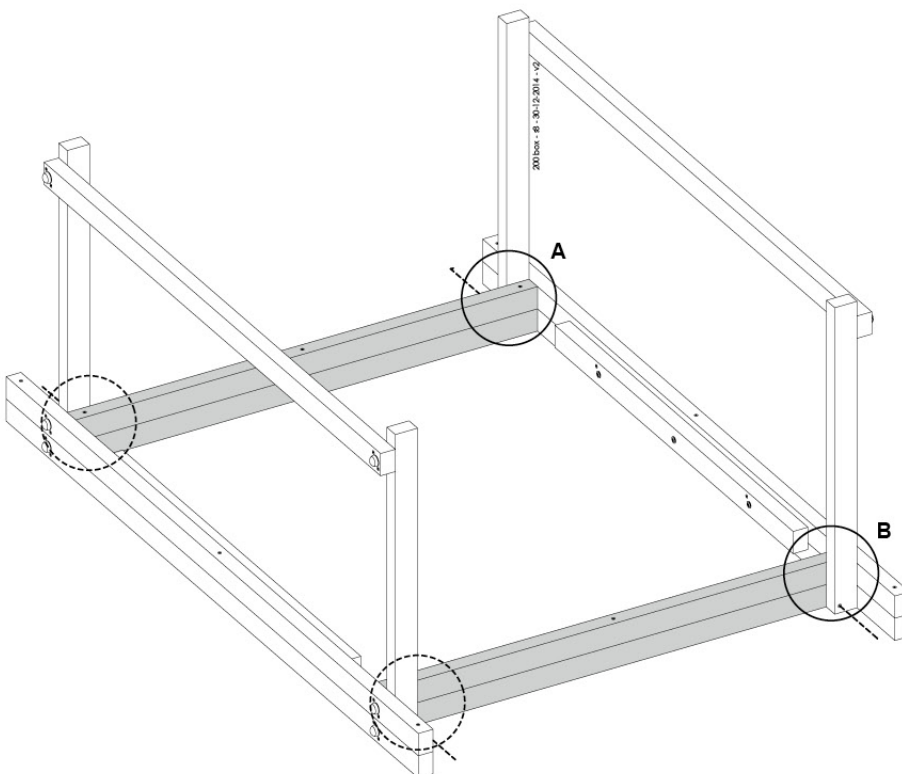


6g

2x

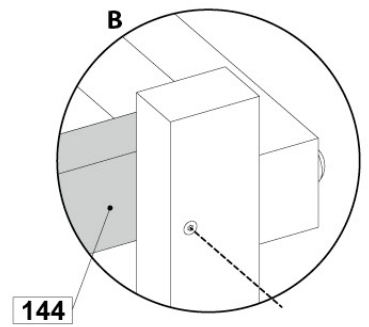
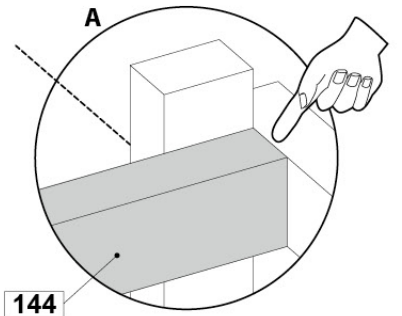
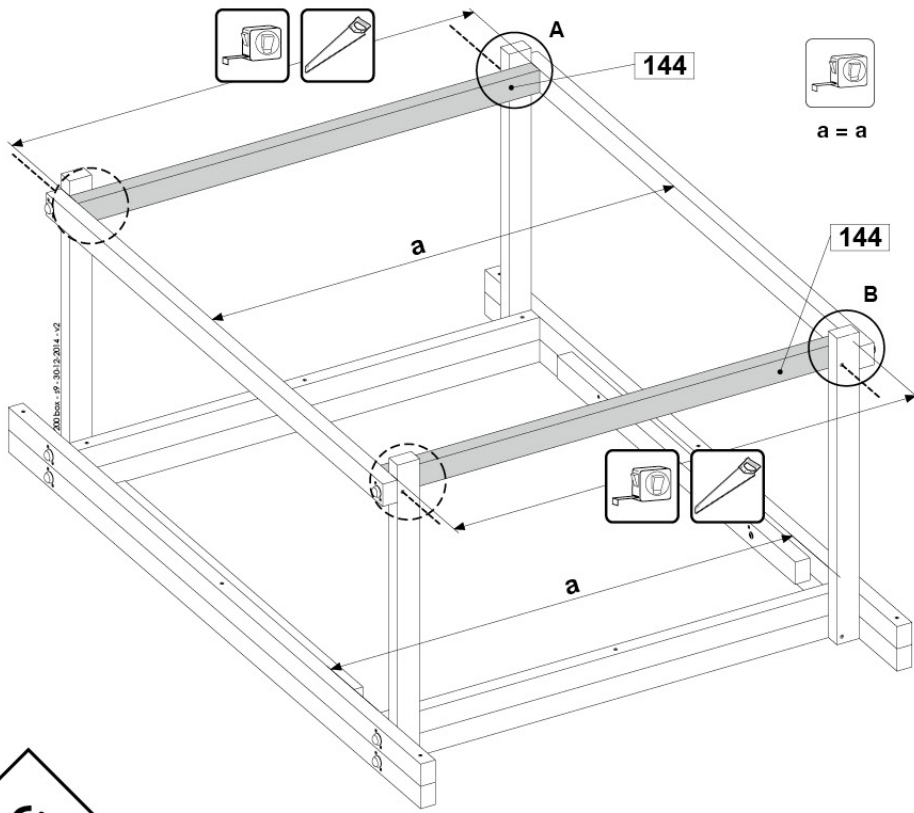
**6h**

4x 80 mm

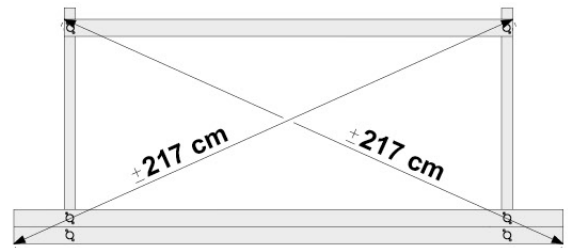
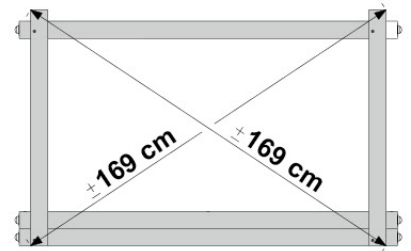
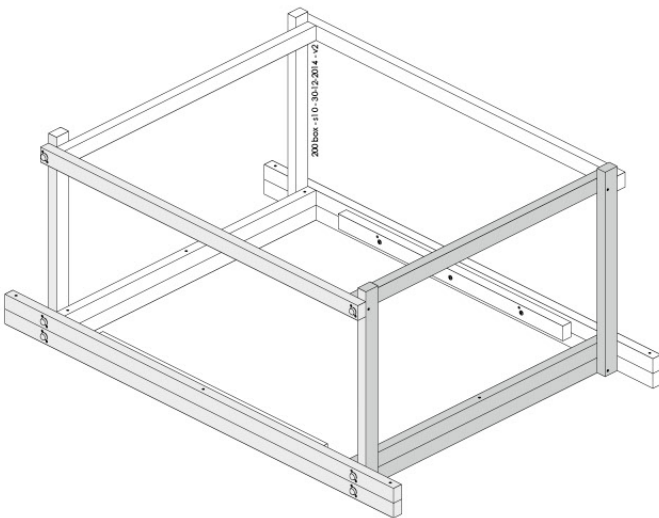


**6i**

4x 80 mm 

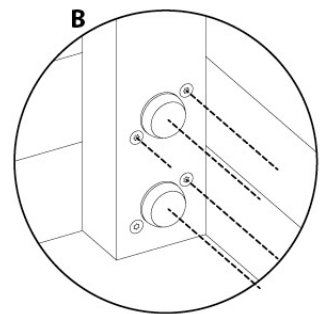
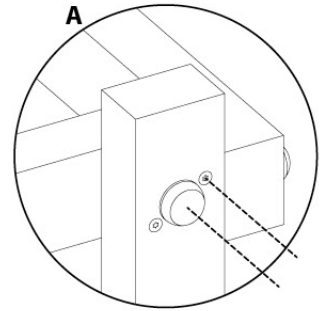
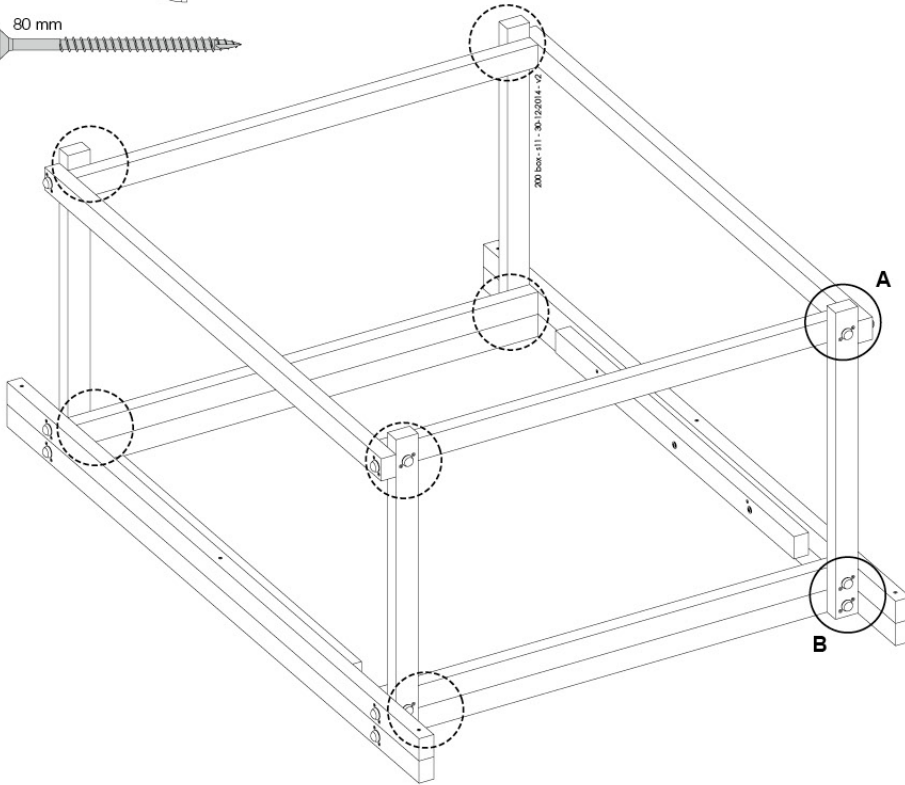
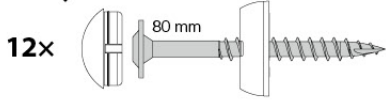


**6j**

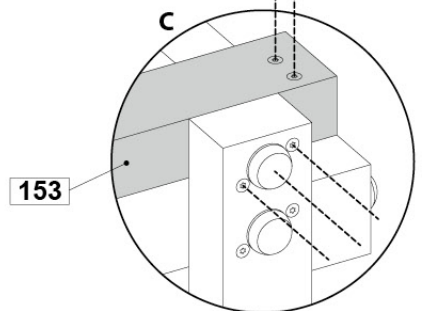
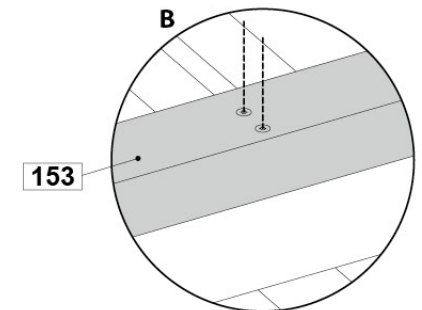
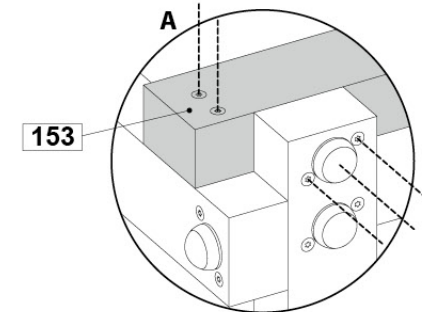
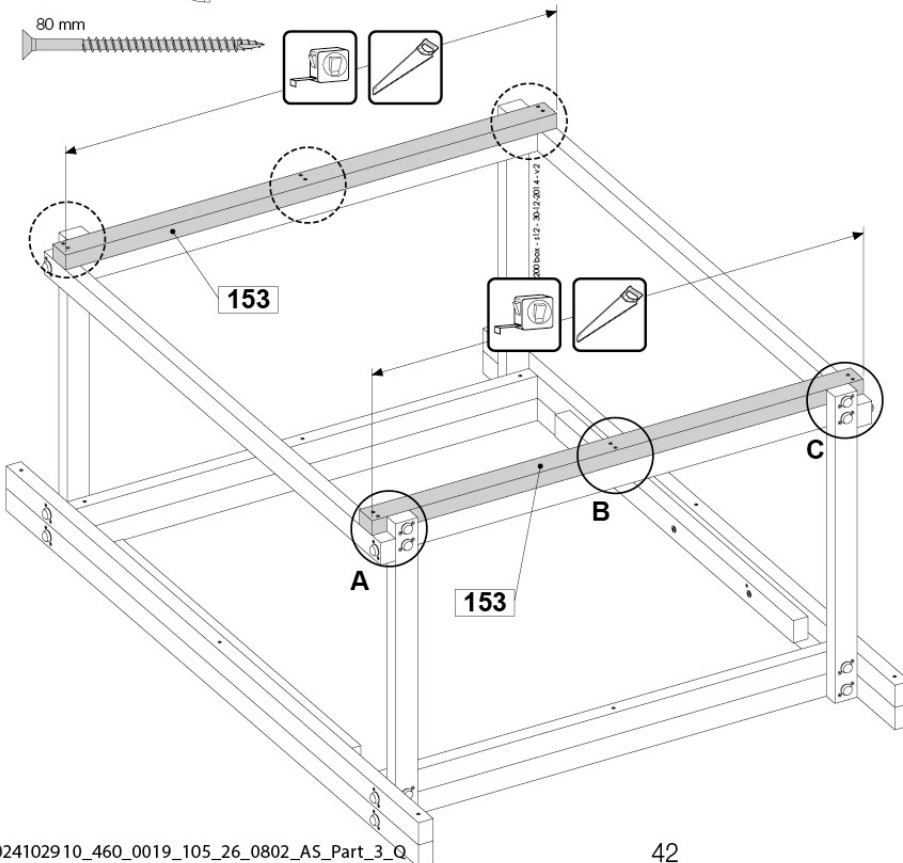
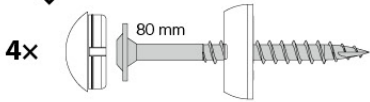




# 6k

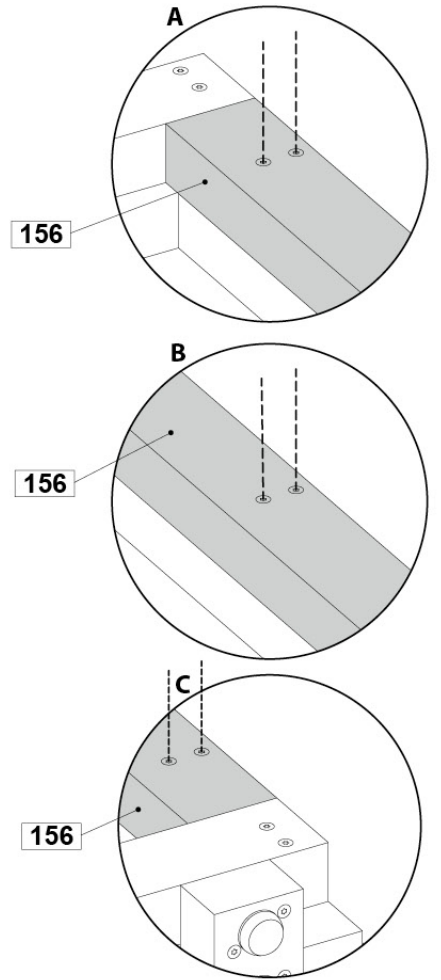
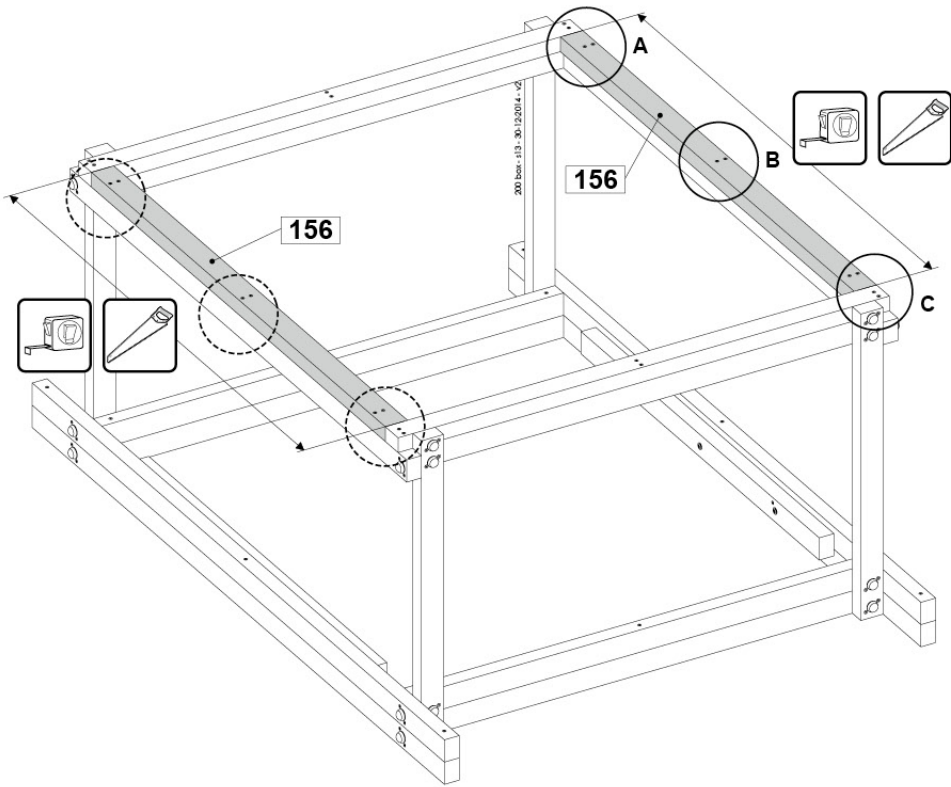


# 6L



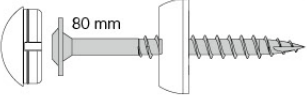
**6m**

12x 80 mm

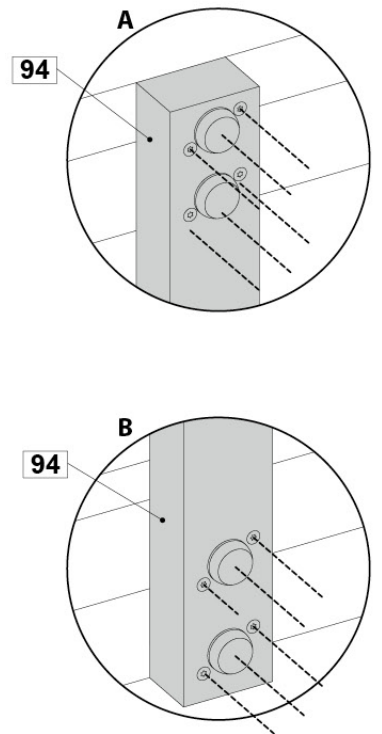
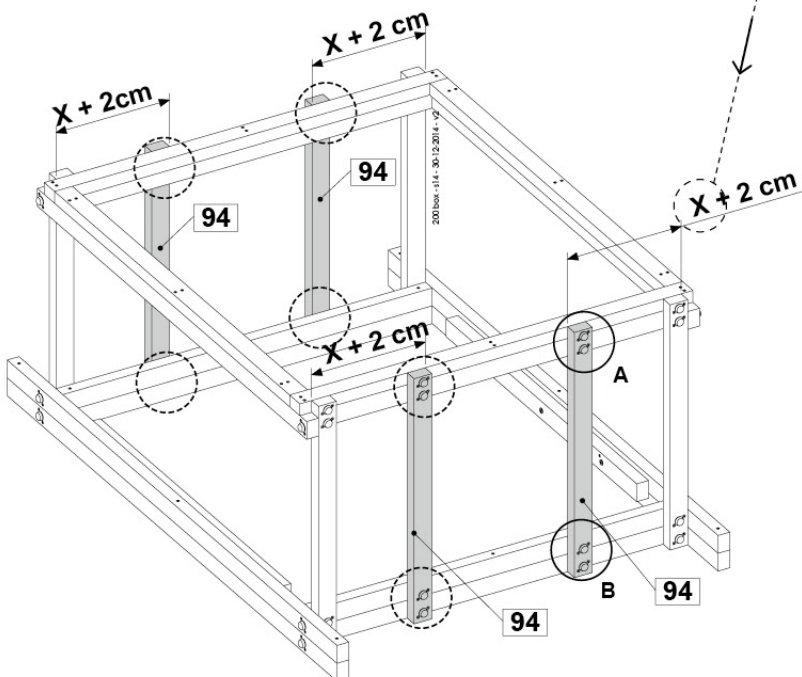
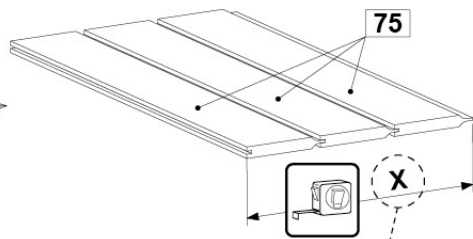



**6n**

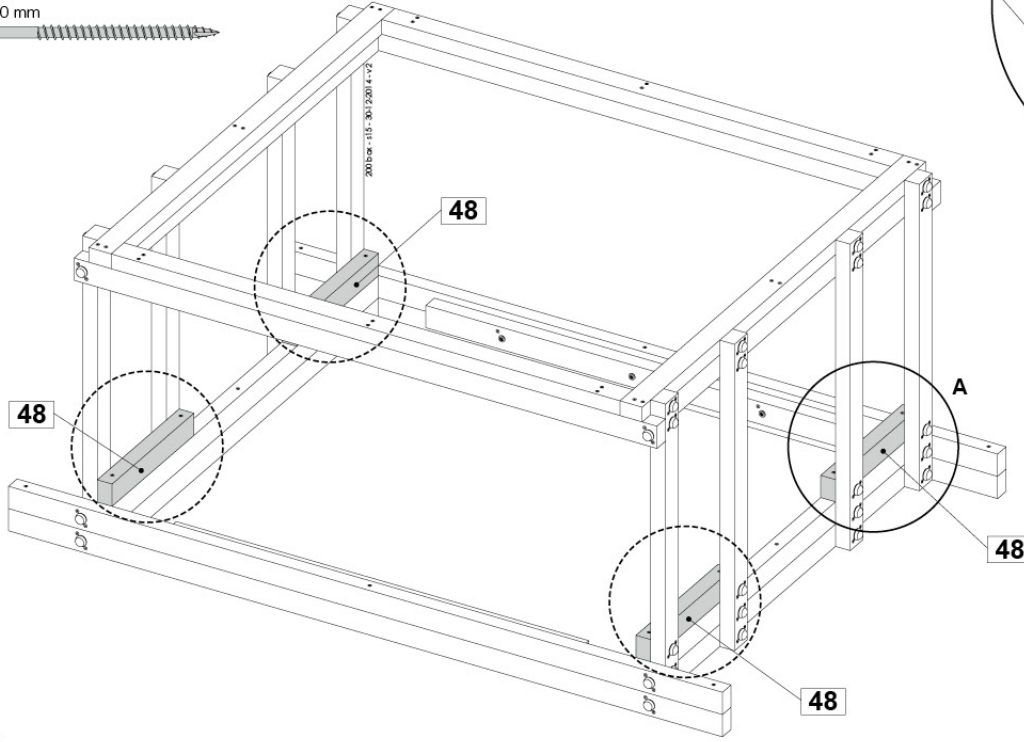
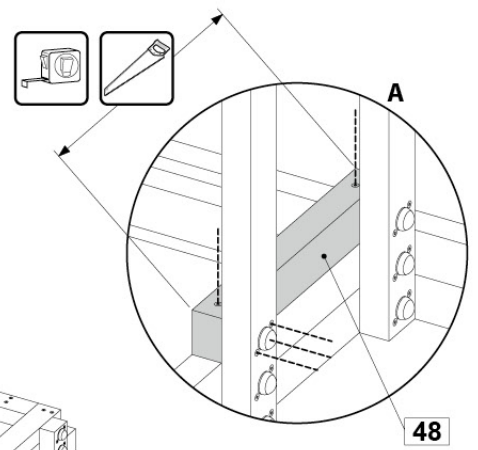
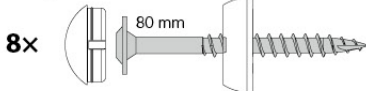
16x 80 mm



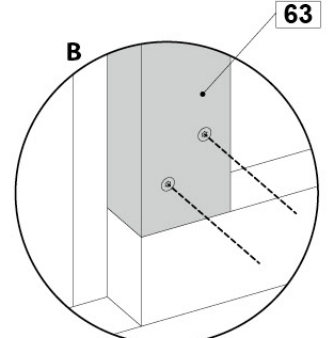
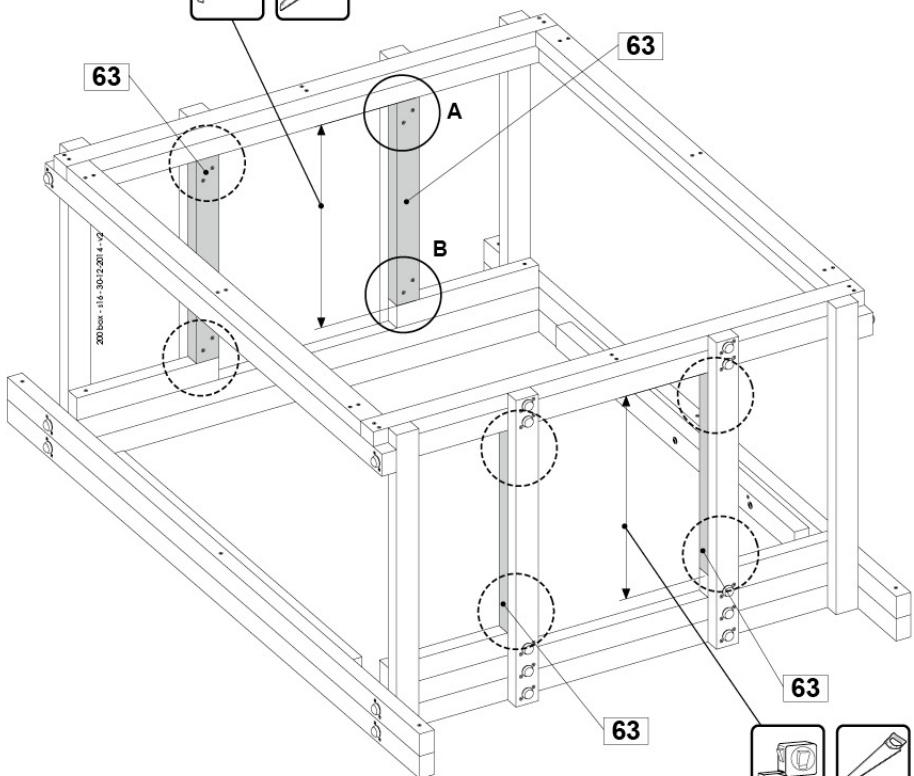
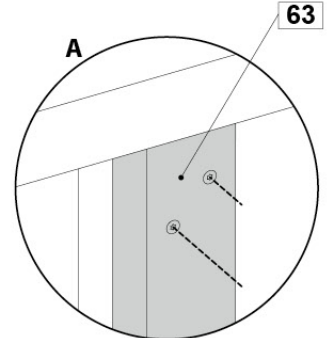
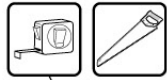
32x 80 mm

# 6o



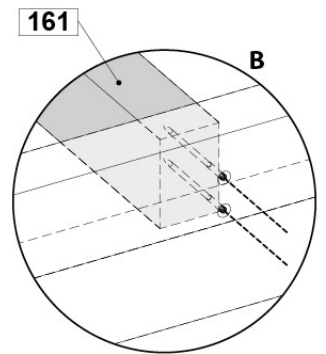
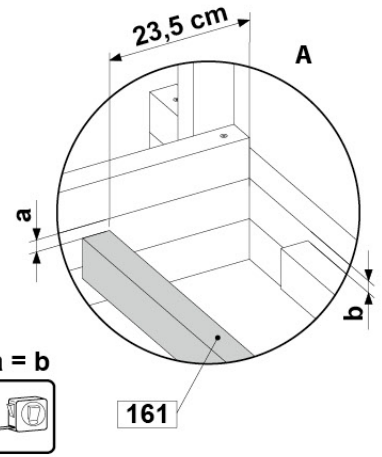
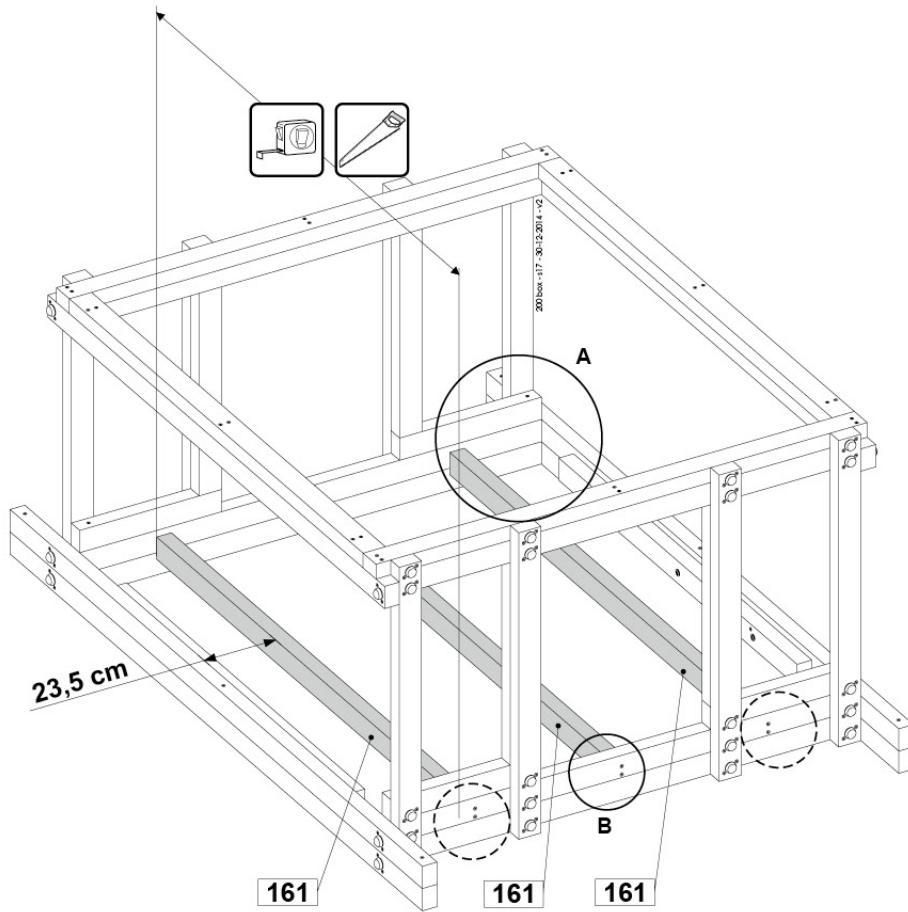
# 6p



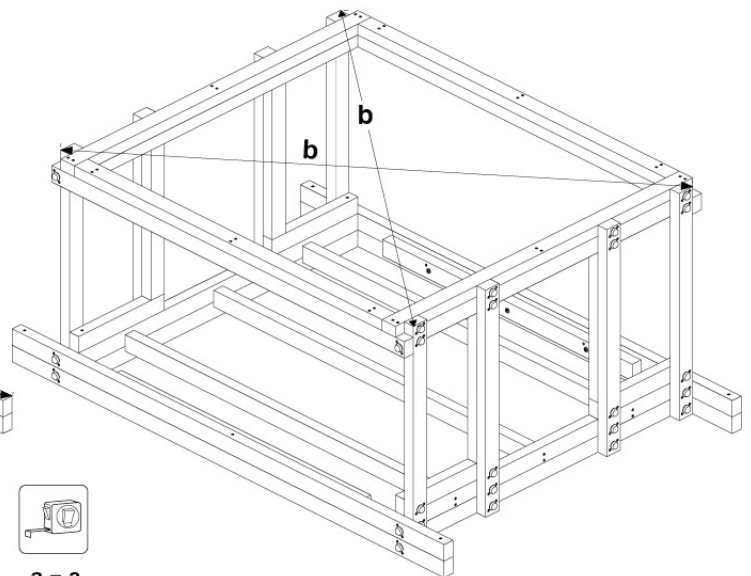
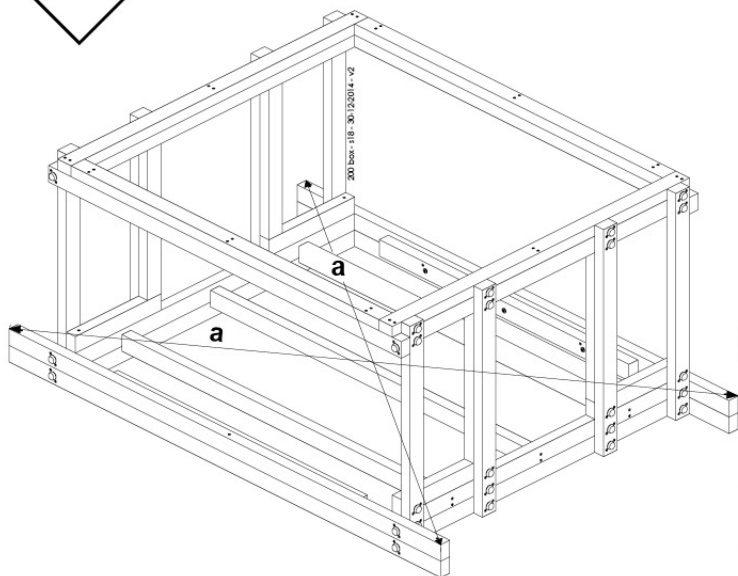


# 6q

12x 80 mm 



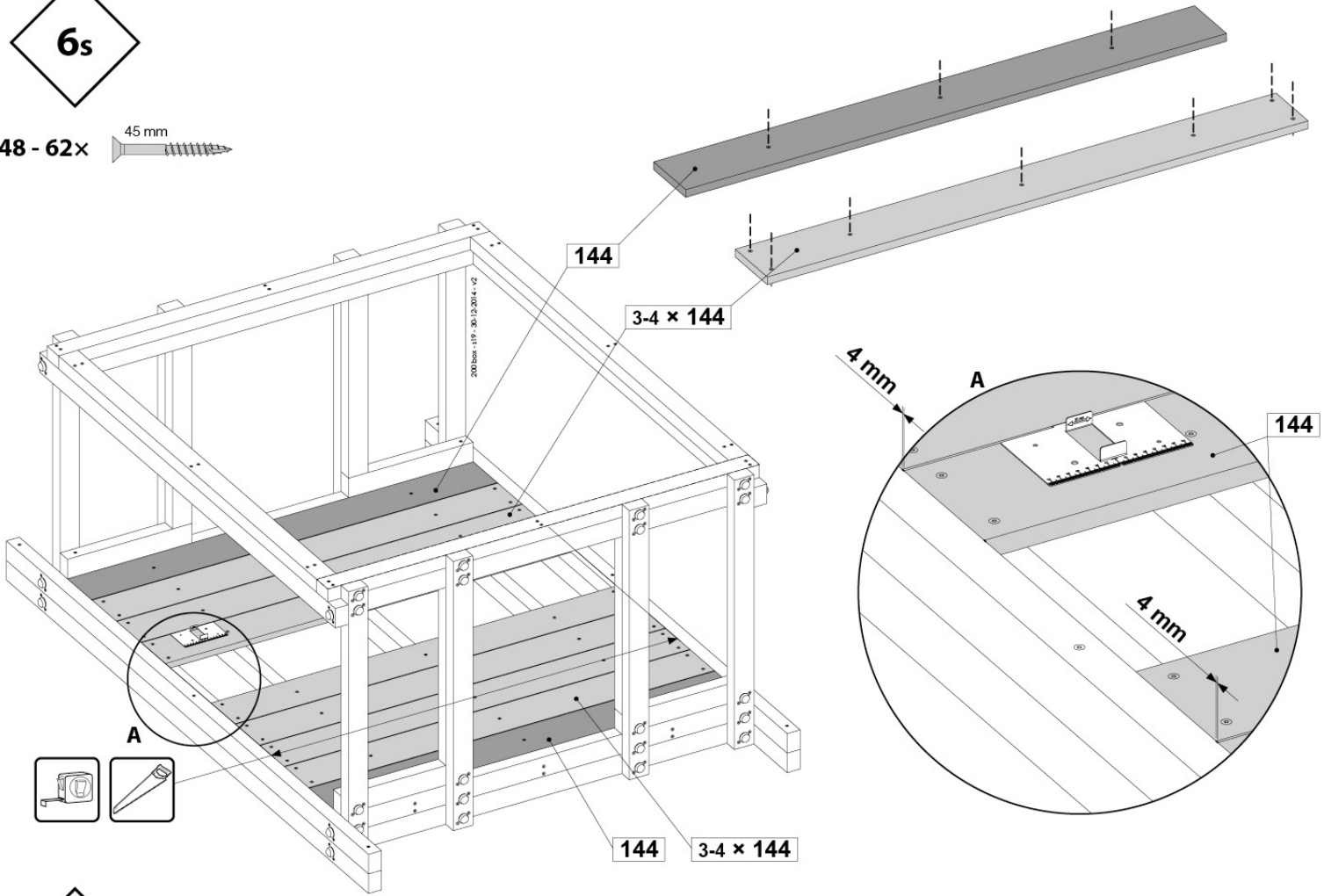
# 6r



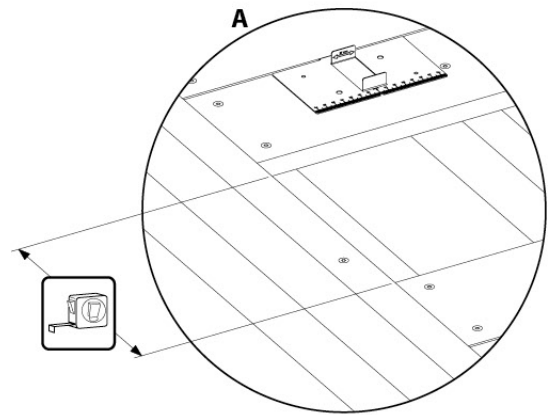
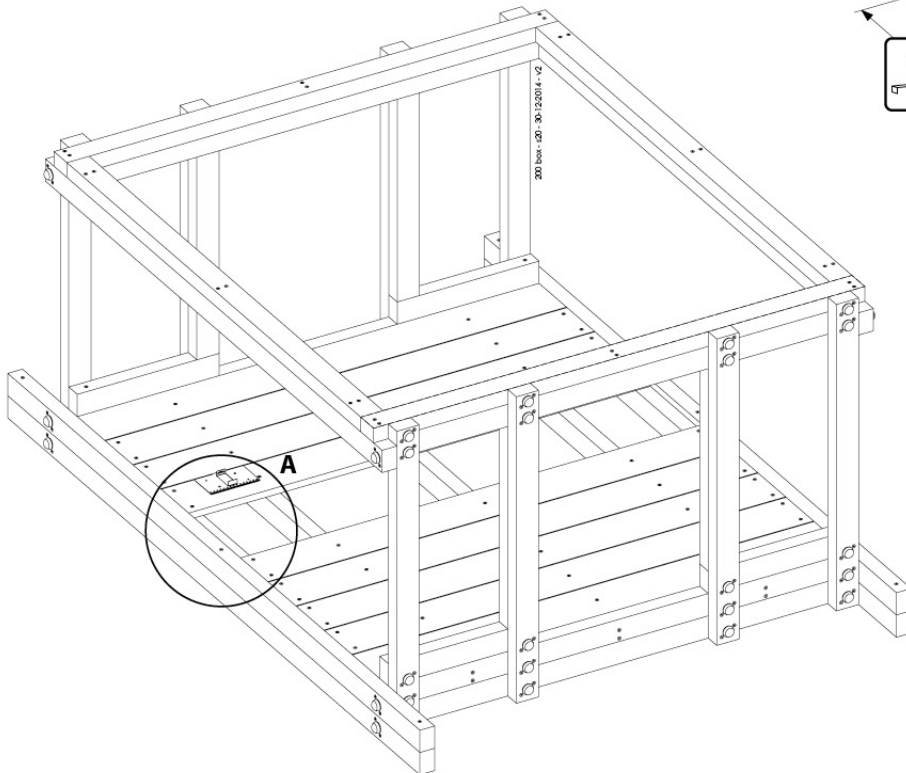
  
a = a  
b = b

6s

48 - 62x 45 mm

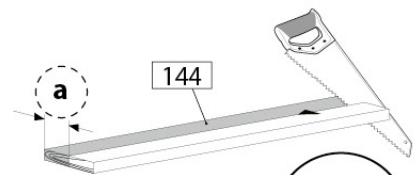


6t



- 1,2 cm  

$$\frac{\quad}{2} = \textcircled{a}$$

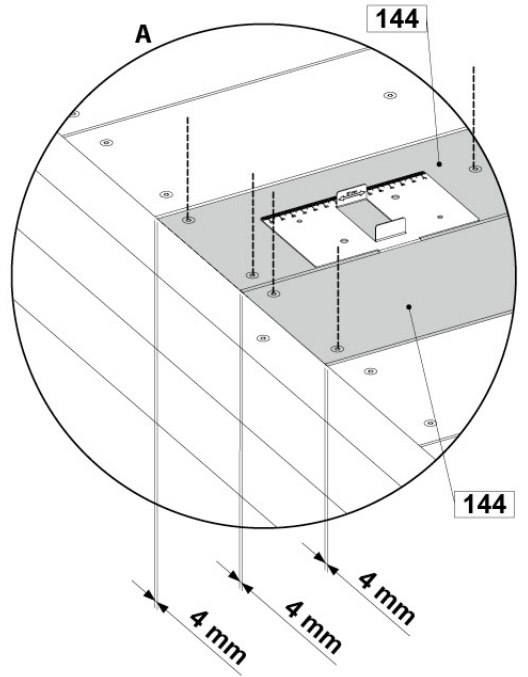
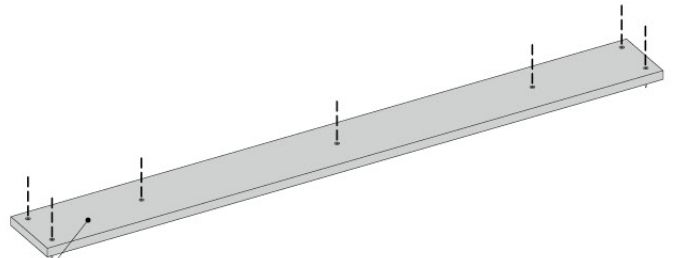
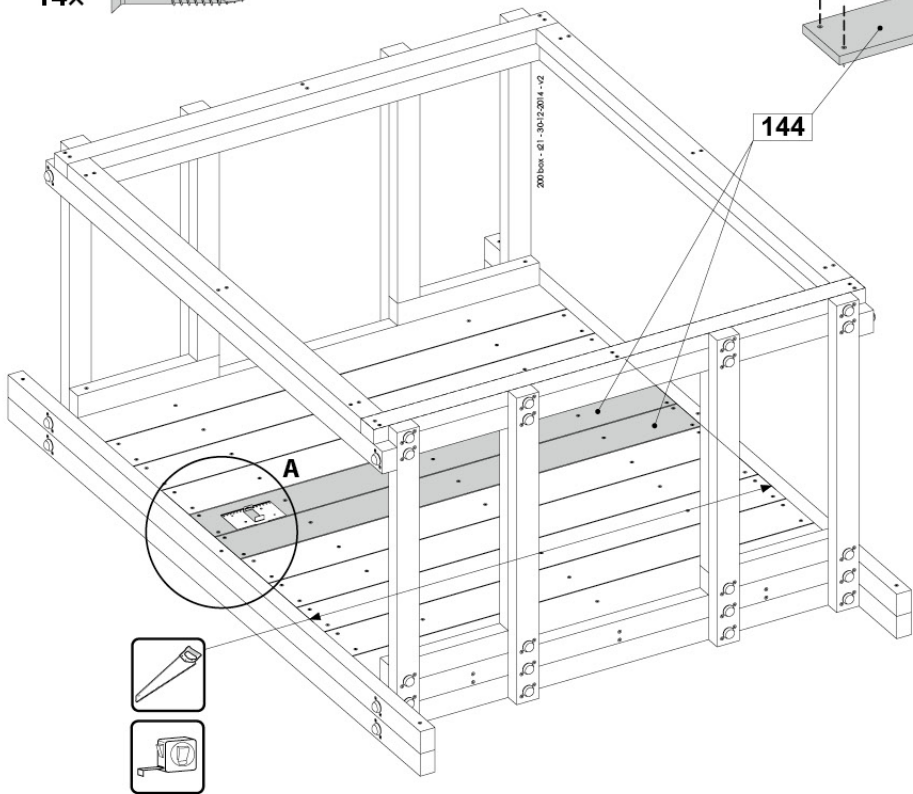


2x



# 6u

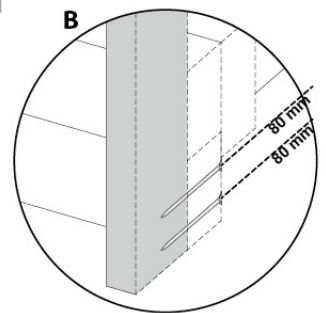
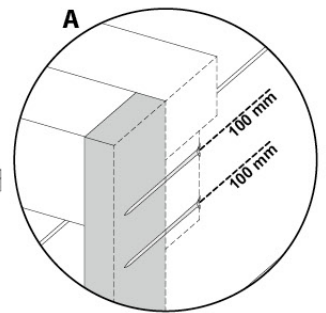
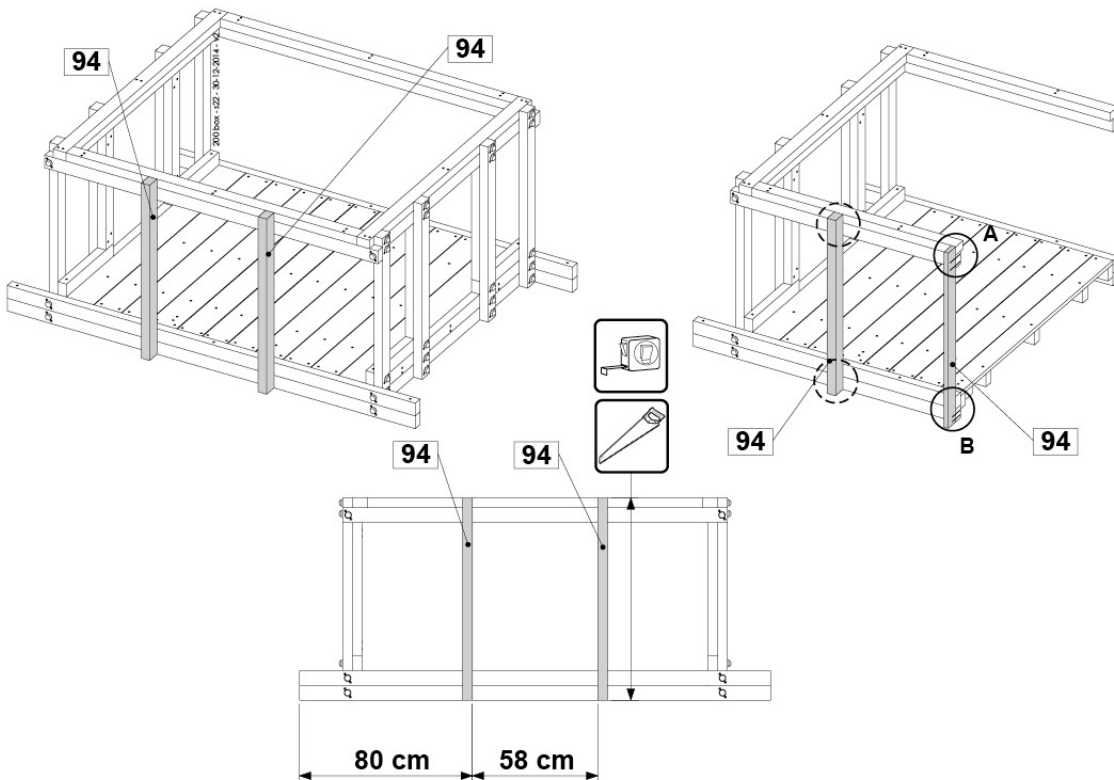
14x 45 mm



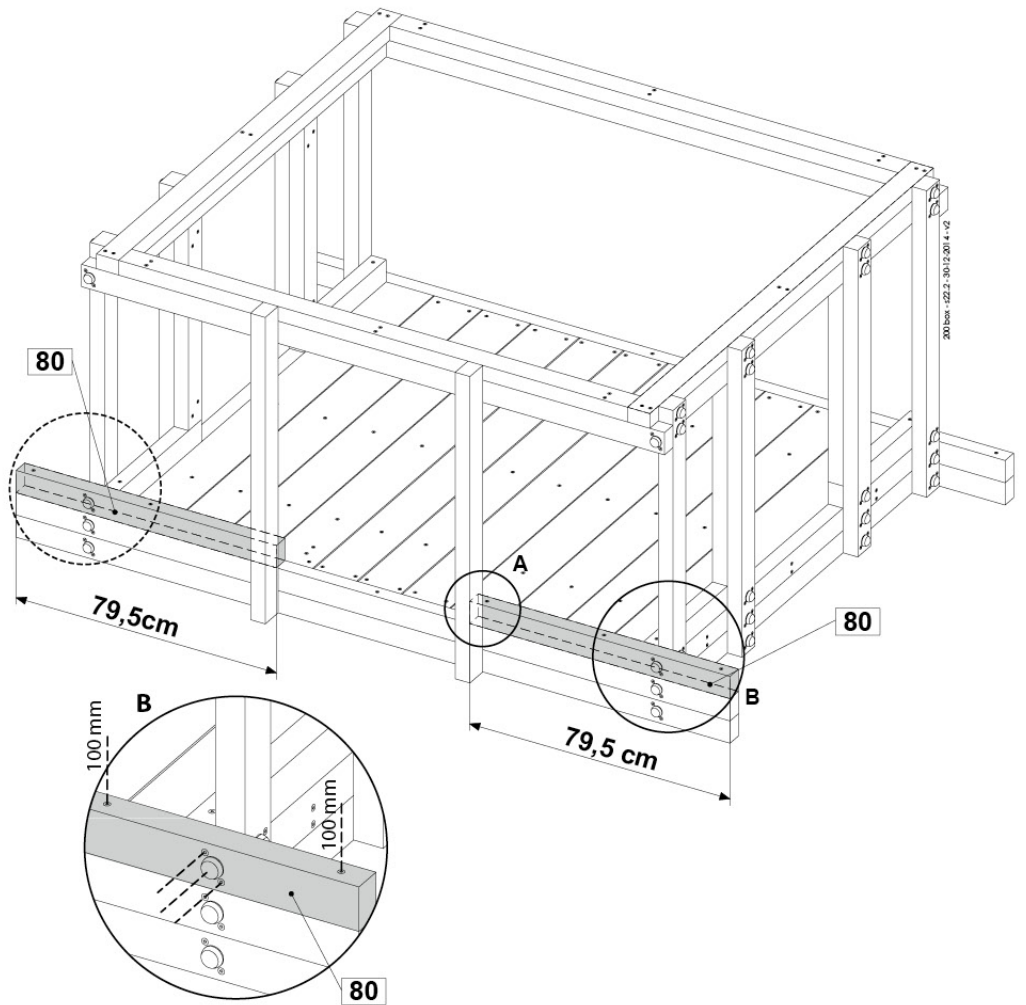
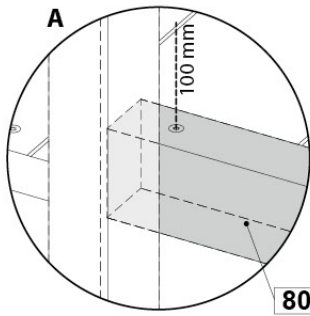
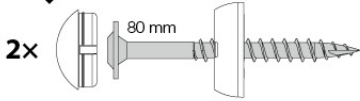
# 6v

4x 100 mm

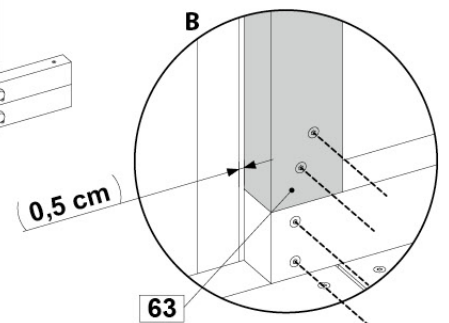
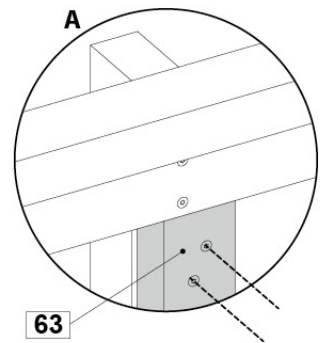
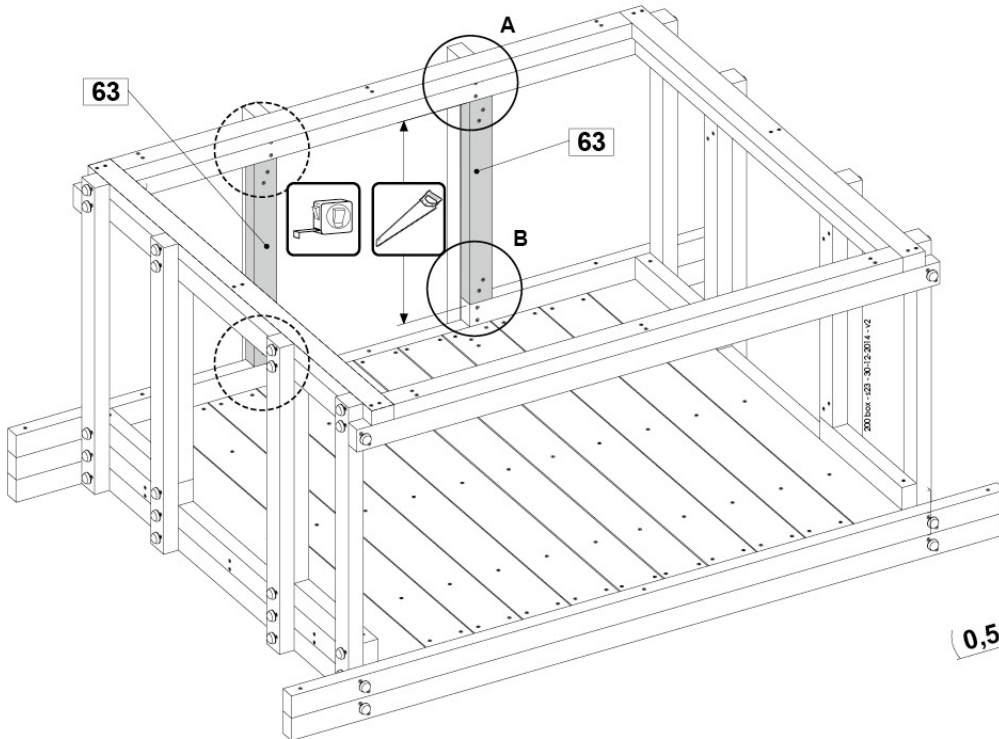
4x 80 mm



**6w**



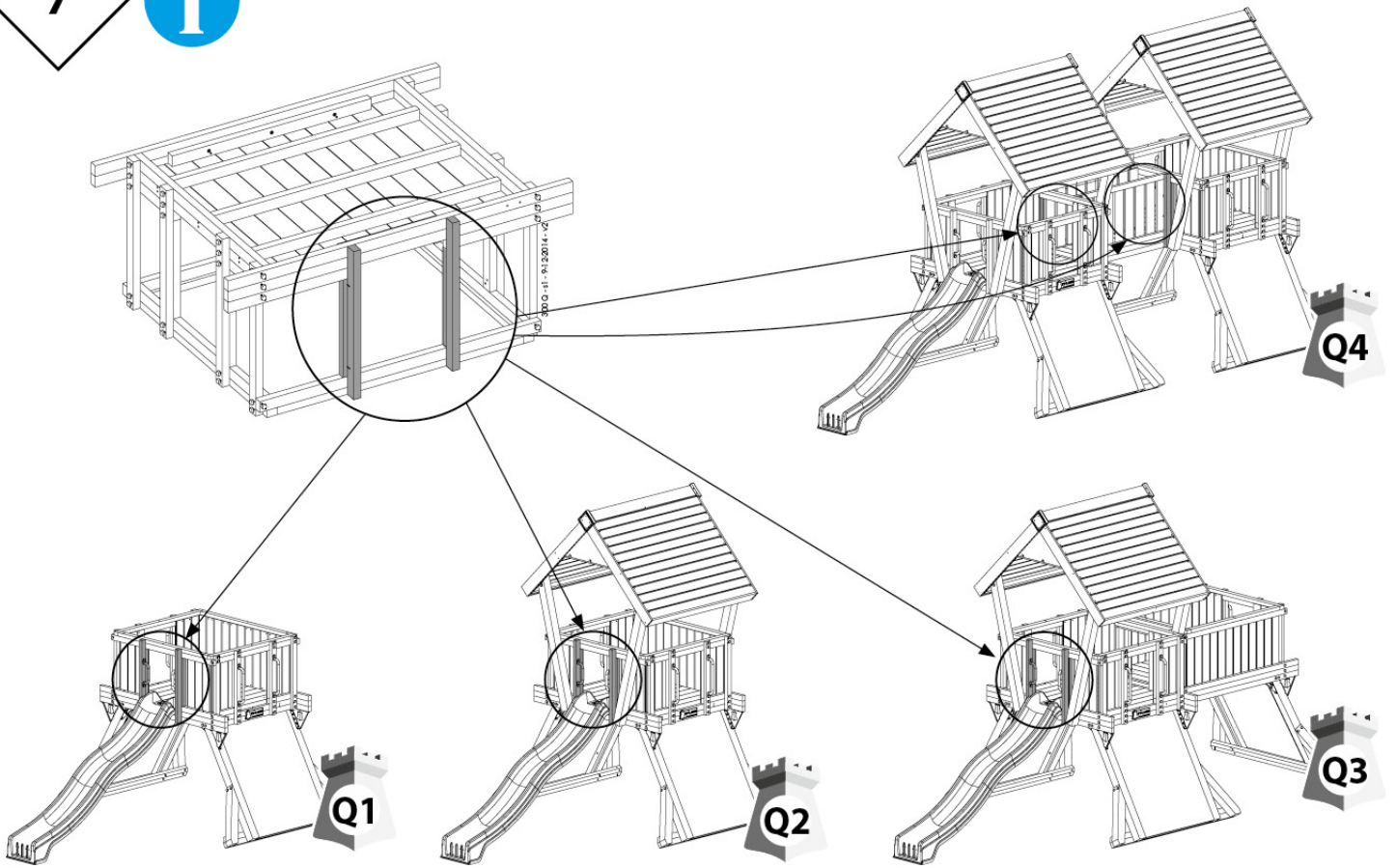
**6x**



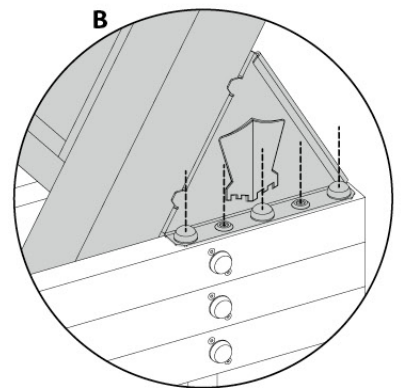
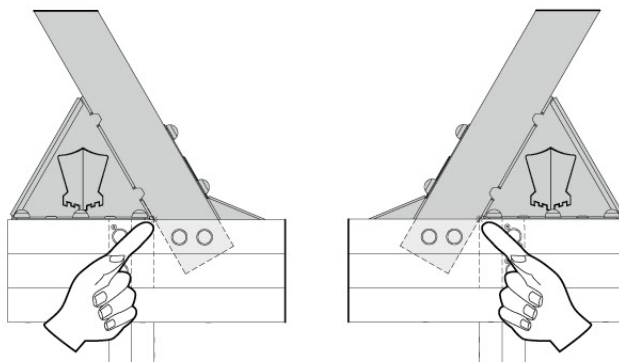
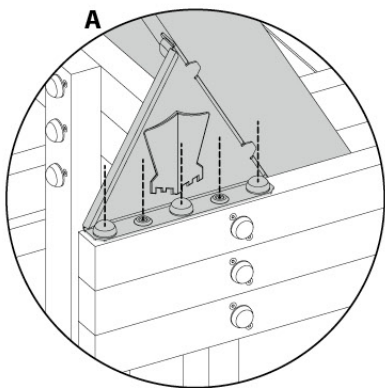
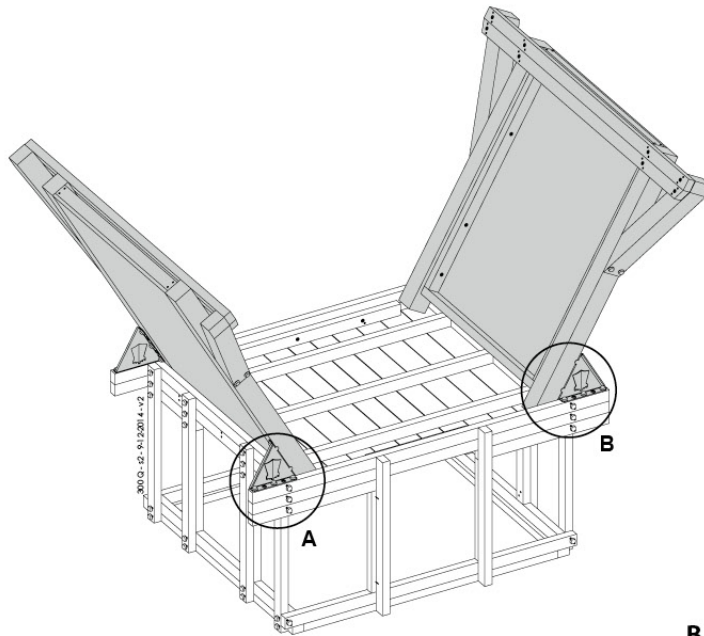
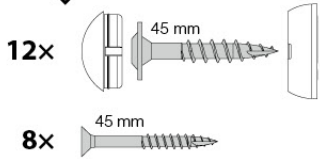
7



180°

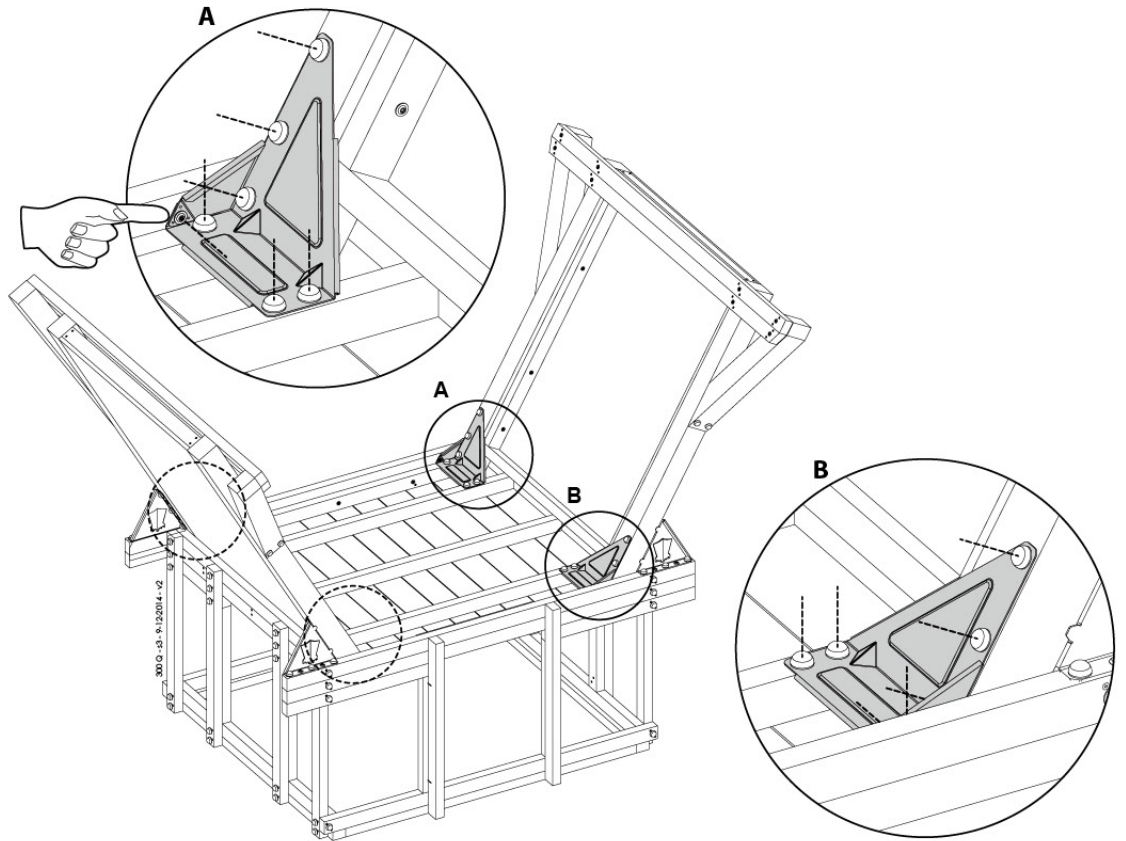
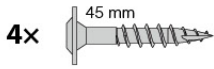
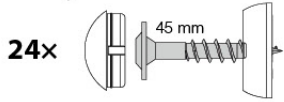


7a

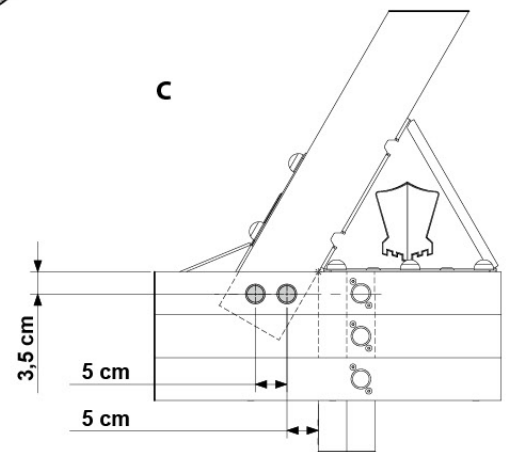
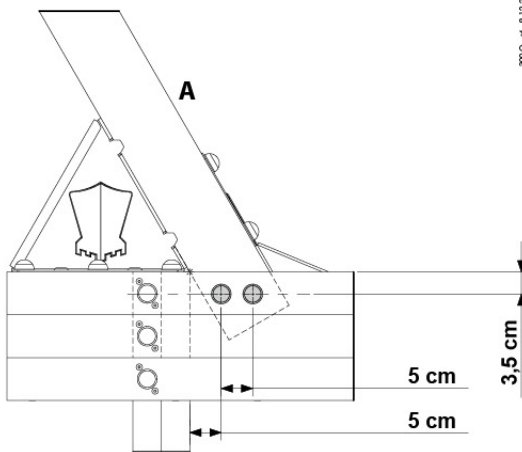
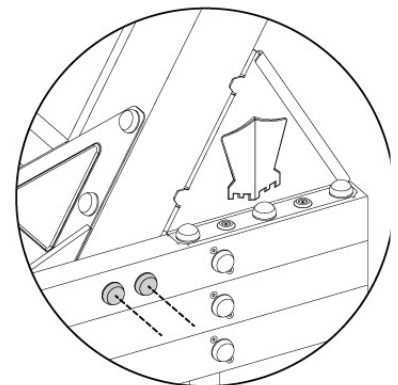
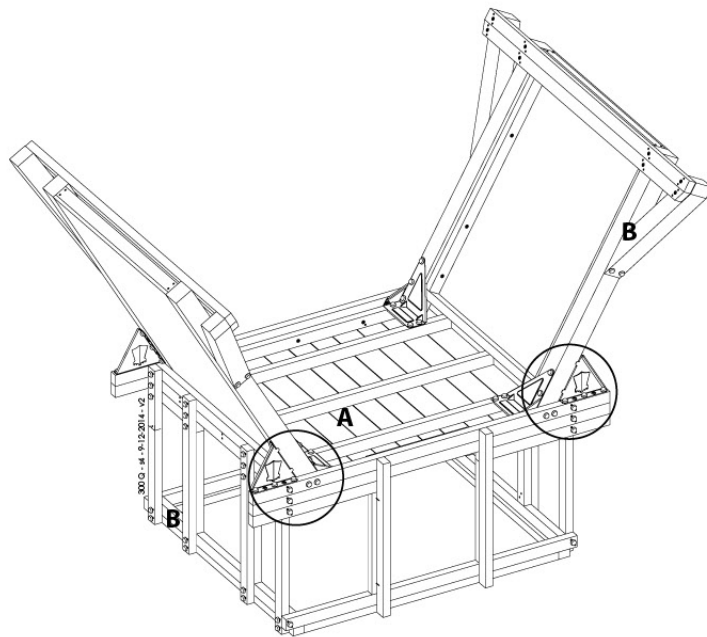
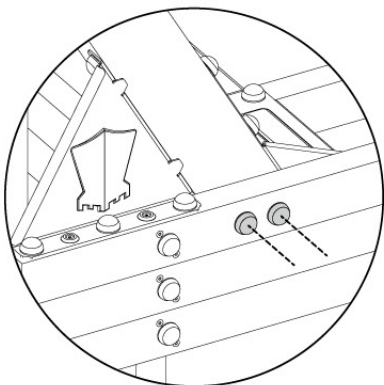
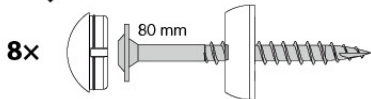




**7b**



**7c**



**7d**



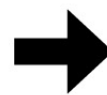
**6a** — **7c**

**2x**

7e



8



9

8a



36 - 44x



4-5 x 75

4-5 x 75

A

B

C

A

75

B

75

C

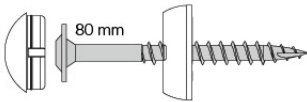
75

min. 0 cm  
max. 5 cm

8b



2x



3x



4x



218

218

A

100 mm

B

100 mm

A

218

B

218

C

218

100 mm

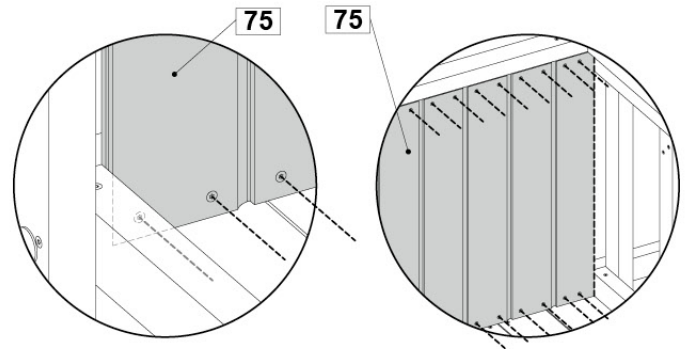
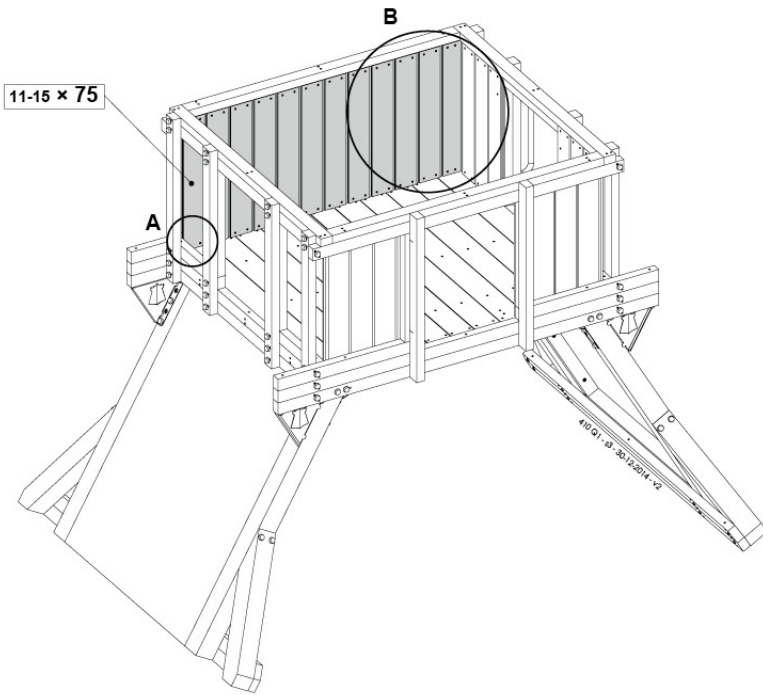


8c



44 - 60x

45 mm

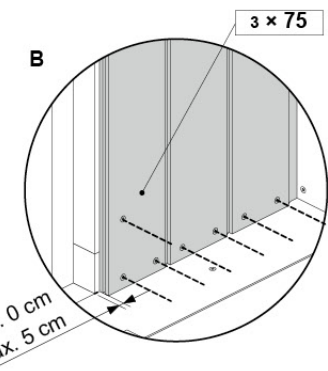
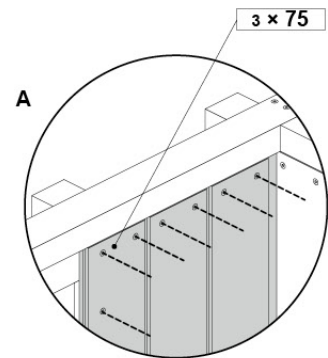
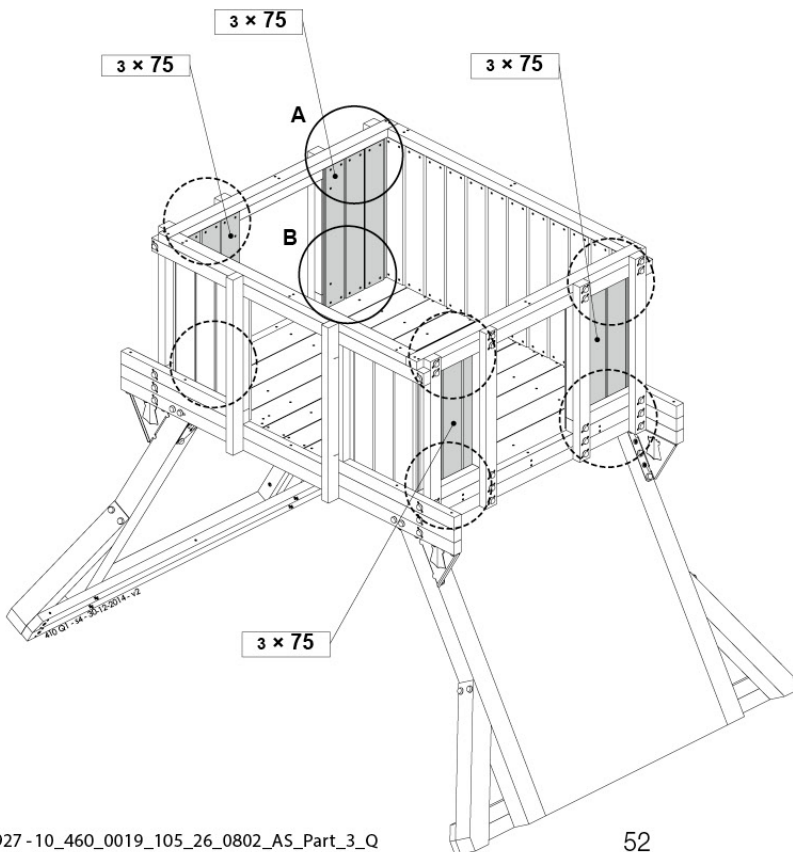


8d

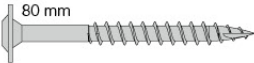


56x

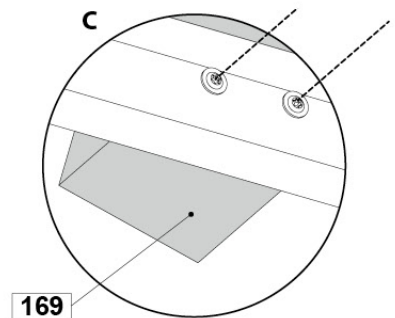
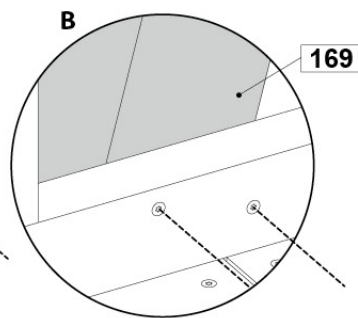
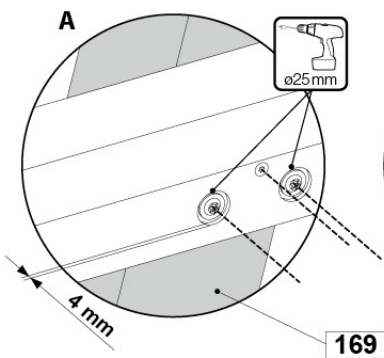
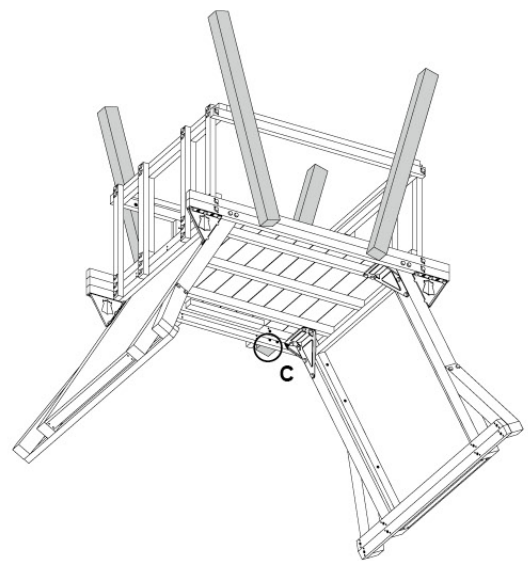
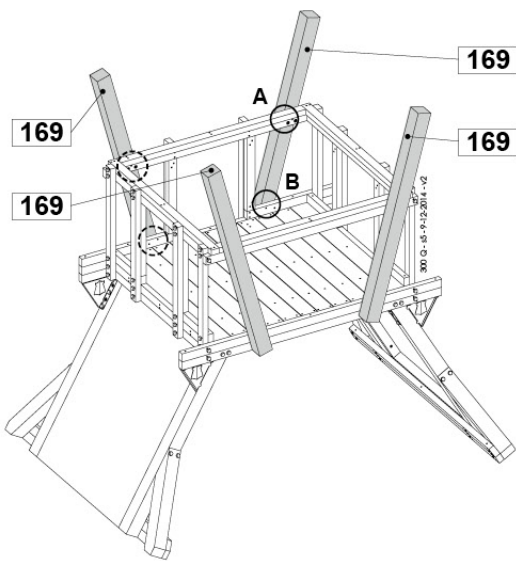
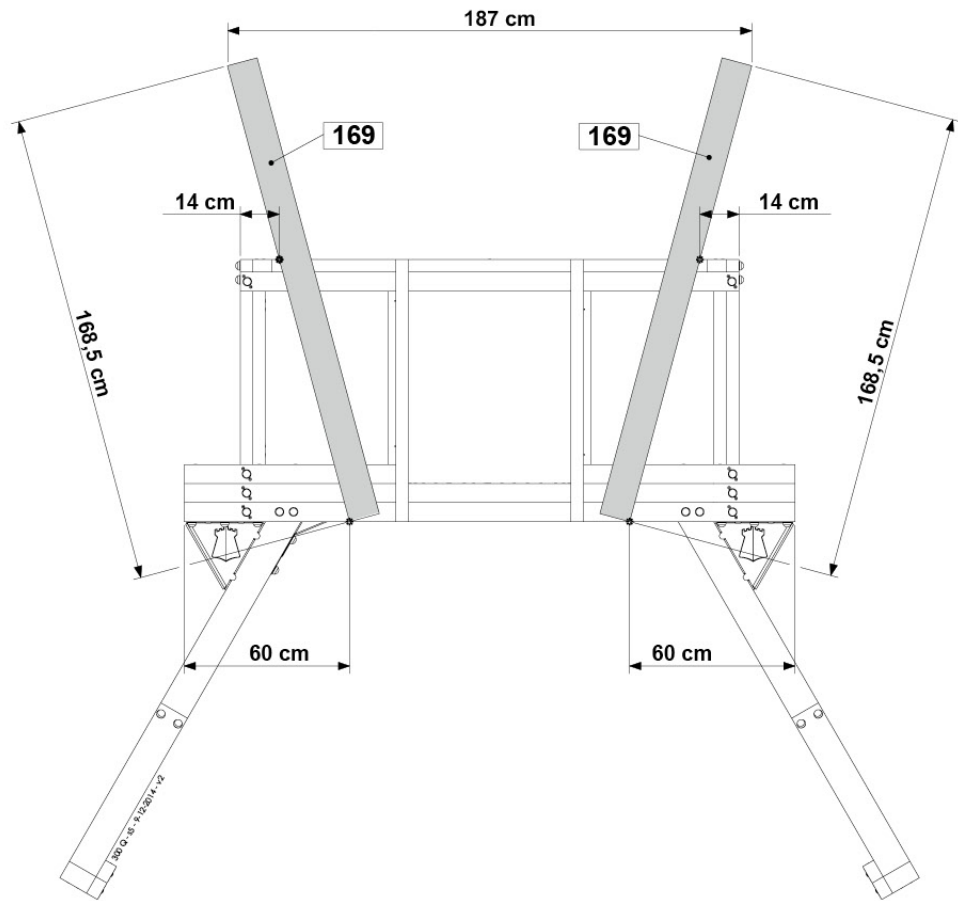
45 mm



**9a**

16x  80 mm

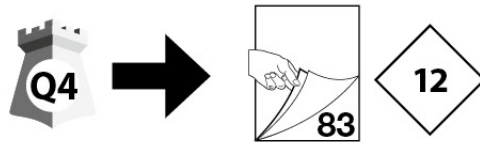
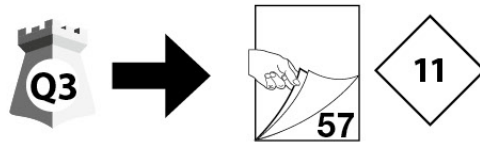
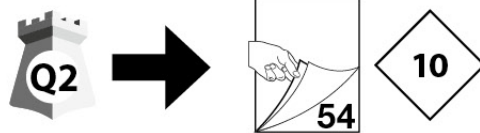
8x  80 mm



**9a**

**2x**

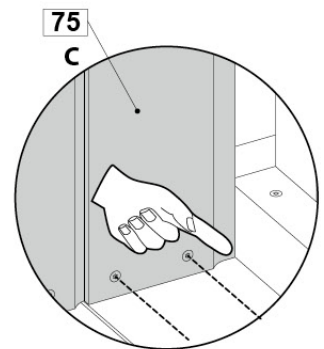
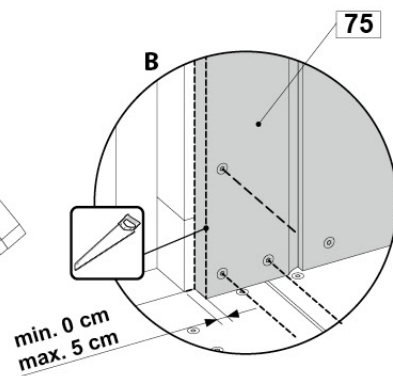
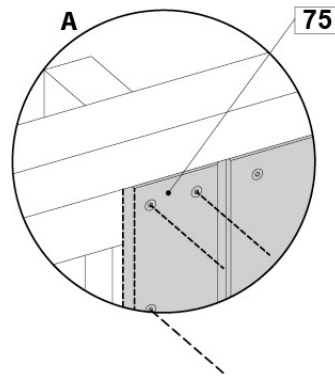
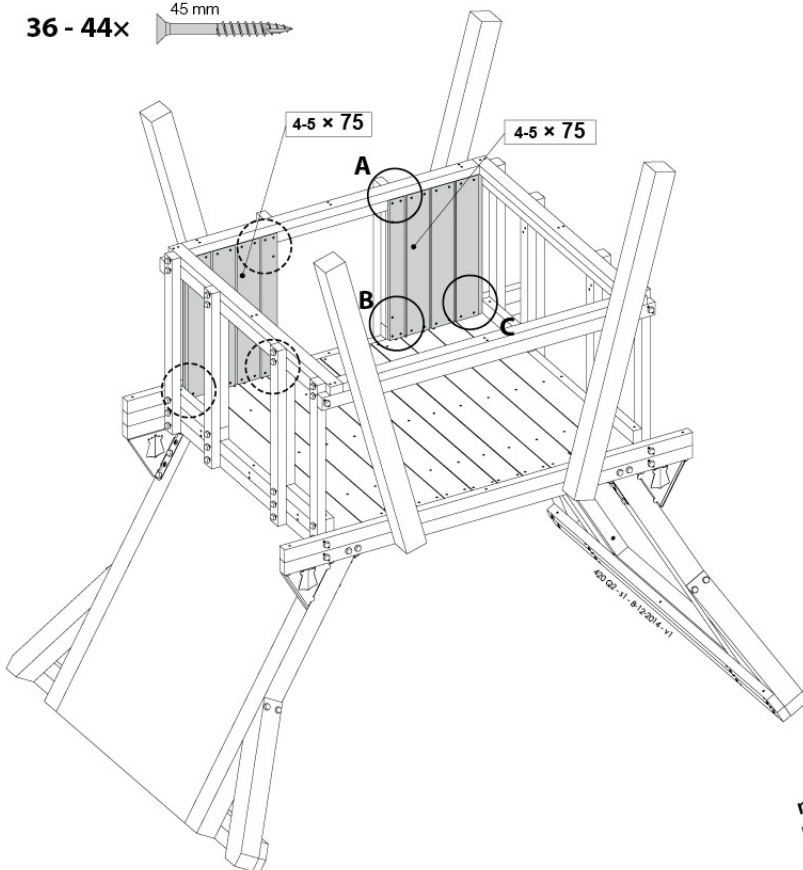
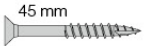
9b



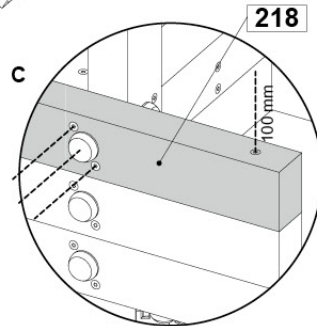
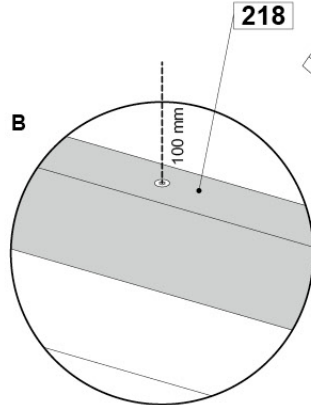
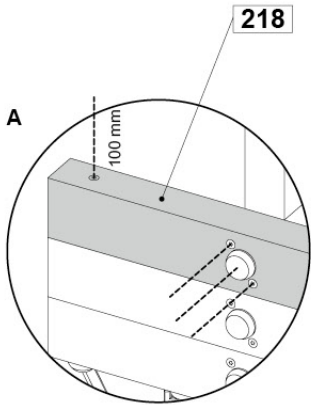
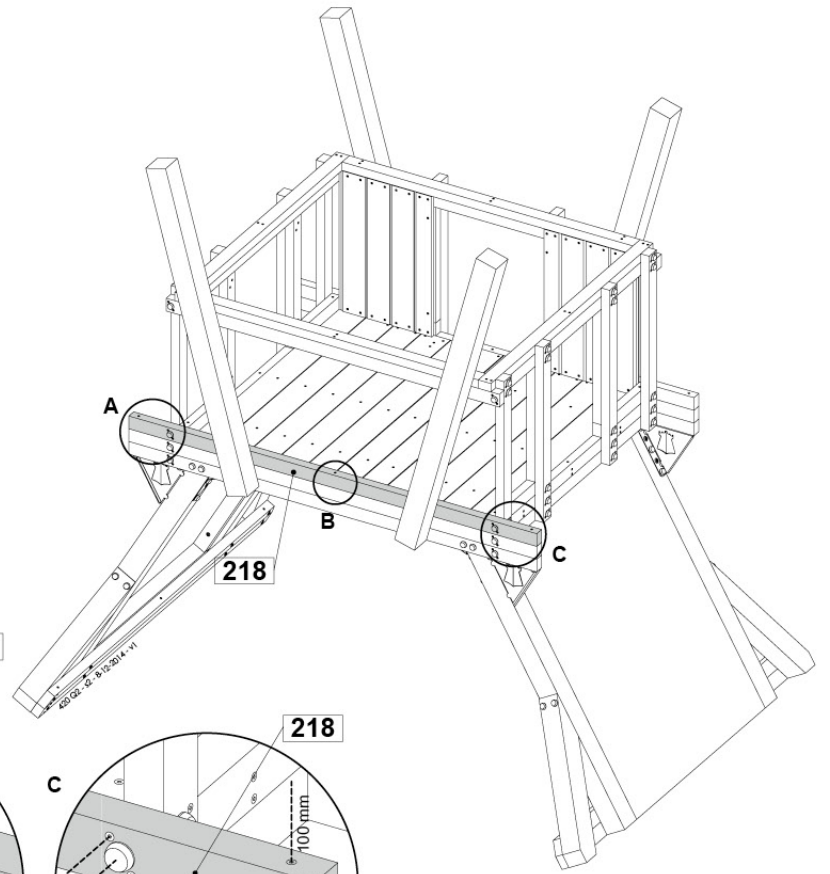
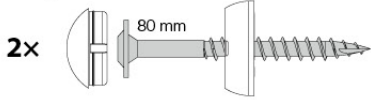
10a



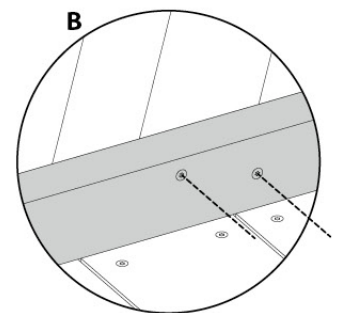
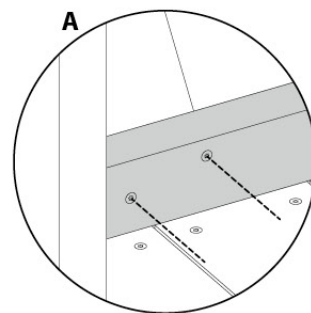
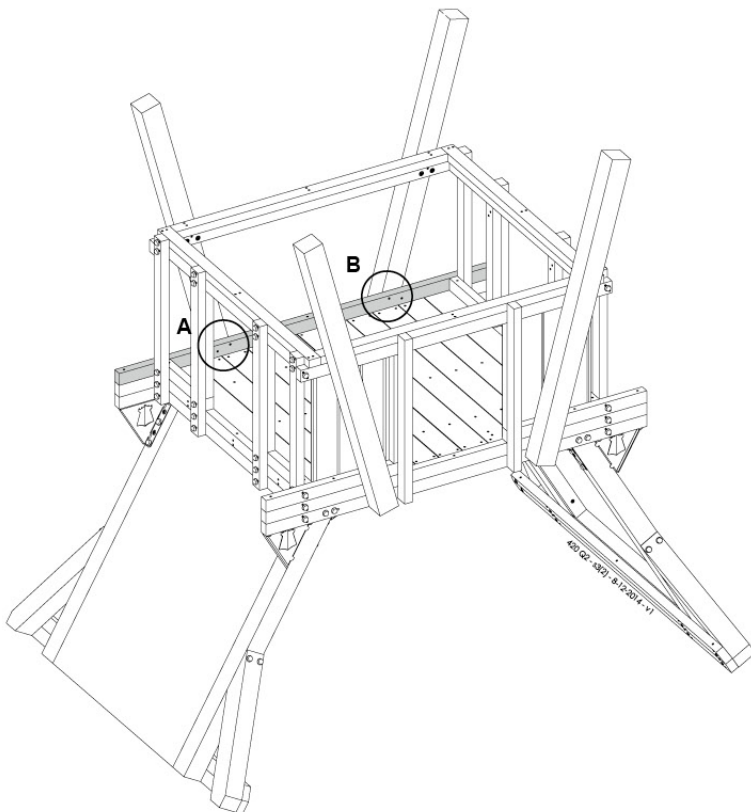
36 - 44x 45 mm



**10b**



**10c**



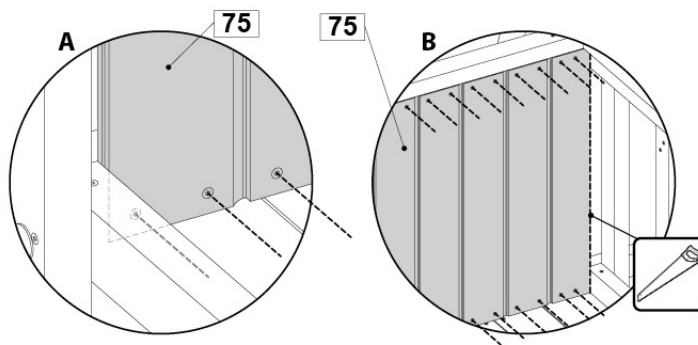
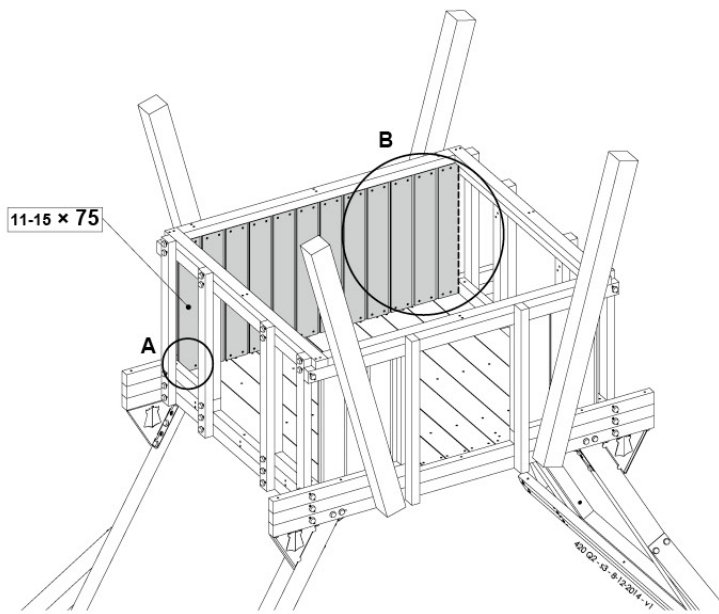


10d



44 - 60x

45 mm

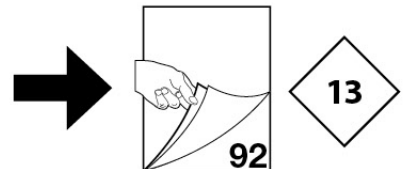
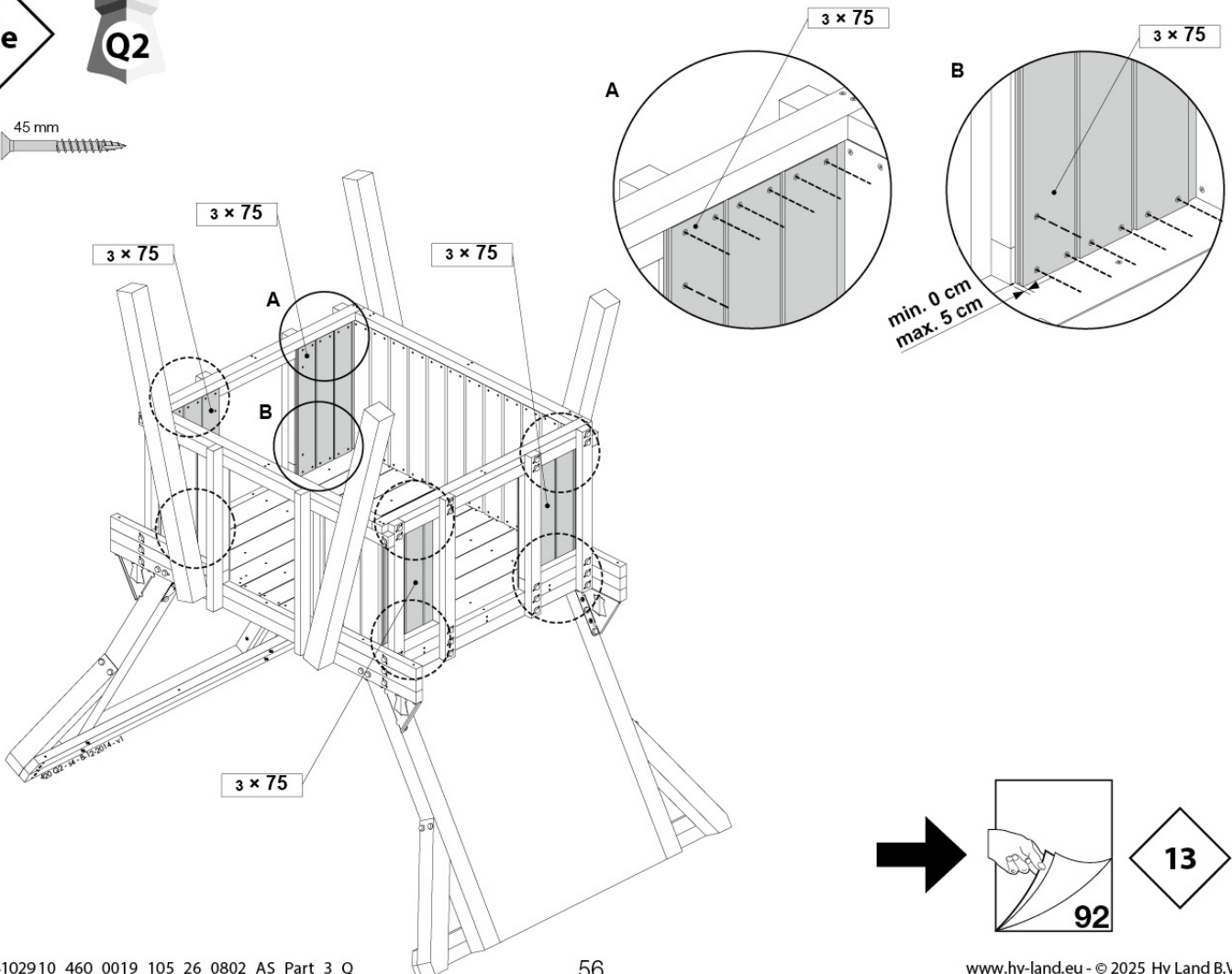


10e



56x

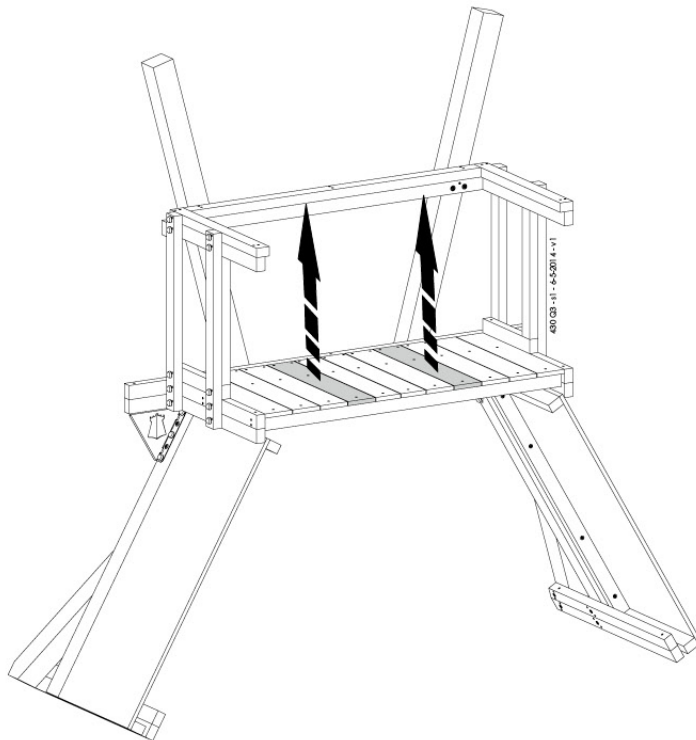
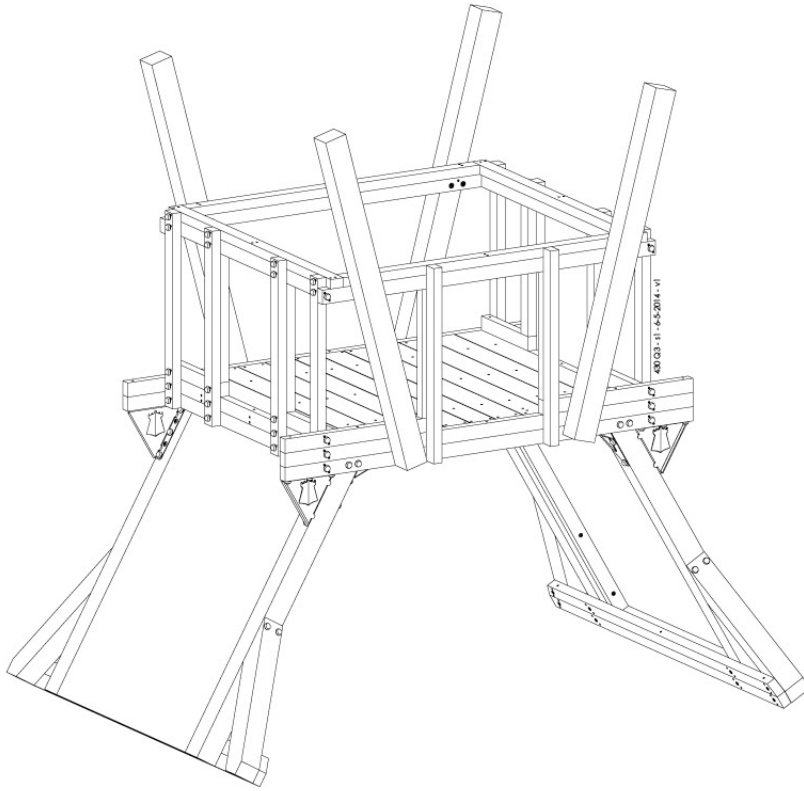
45 mm





11.1a

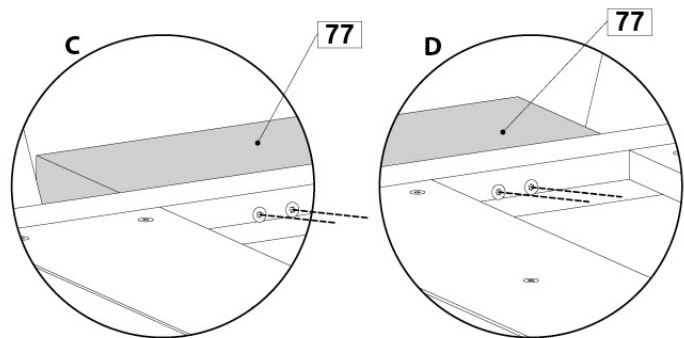
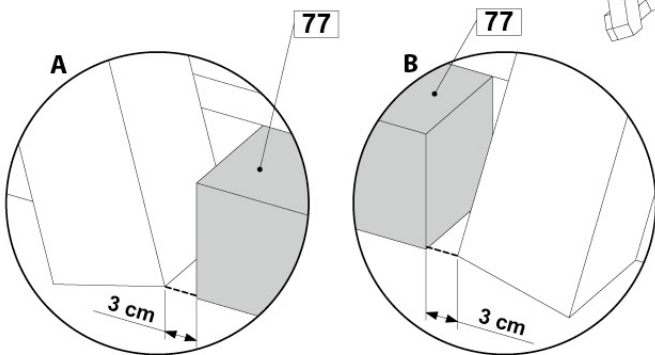
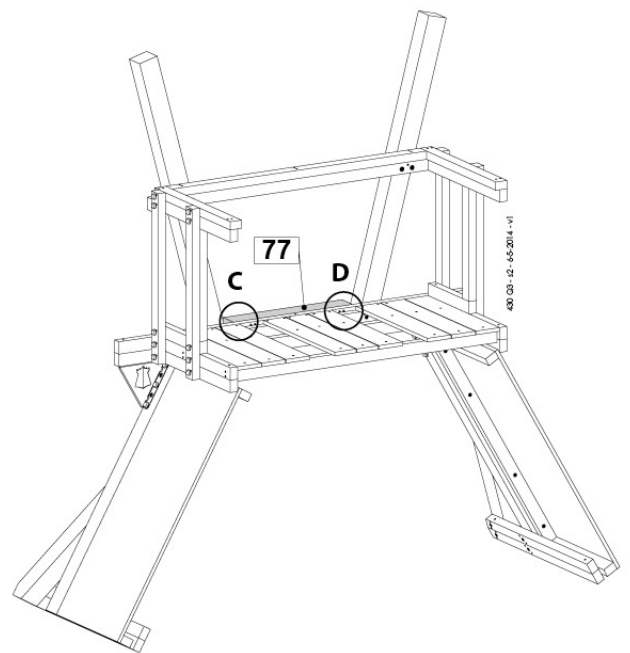
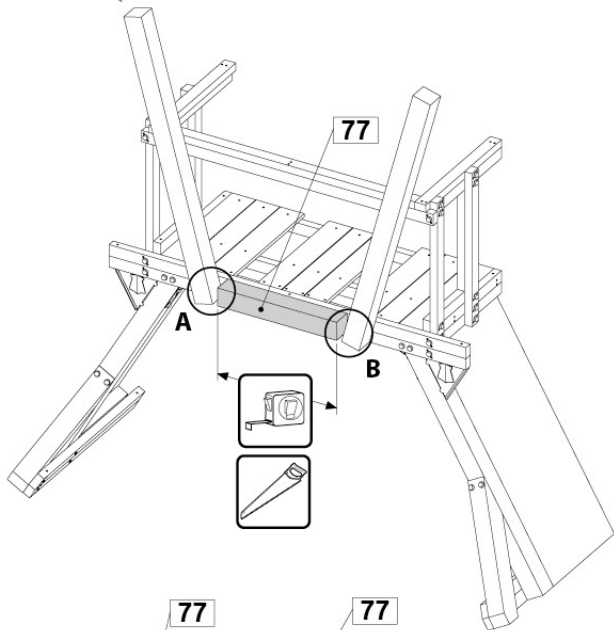
Q3



# 11.1b



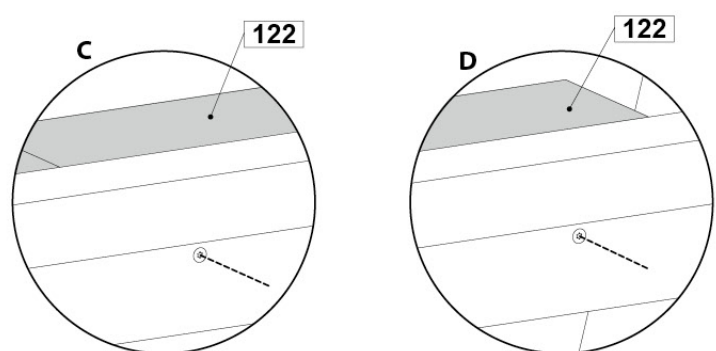
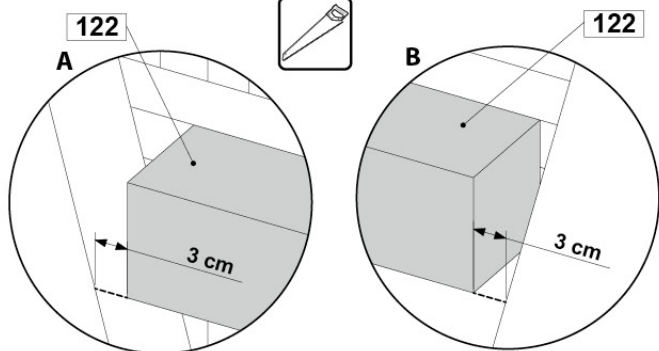
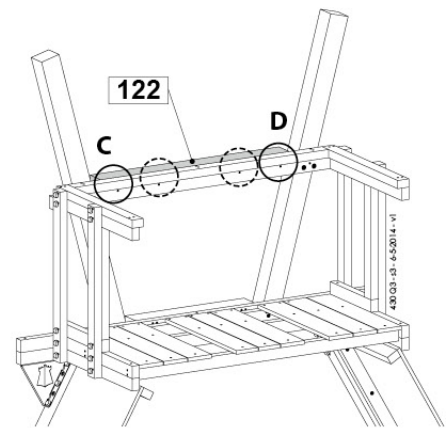
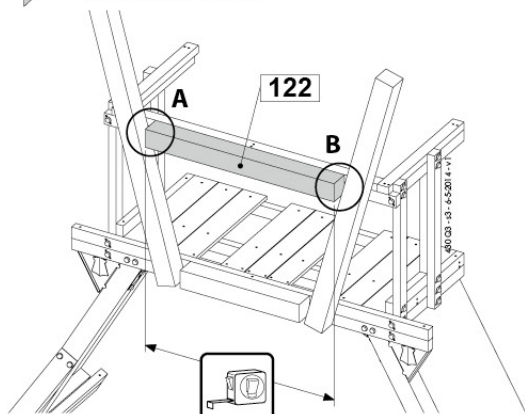
4x 80 mm



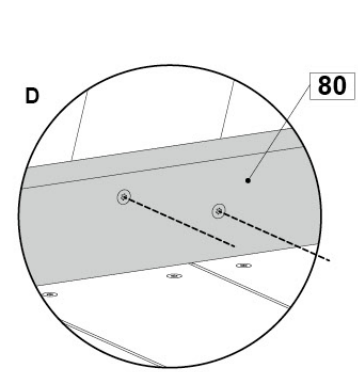
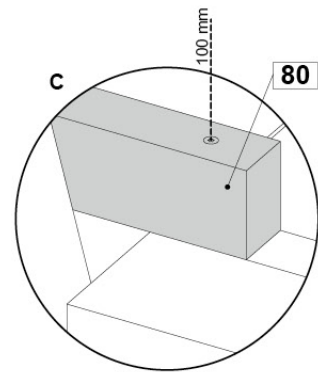
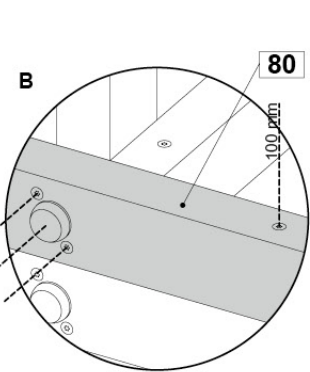
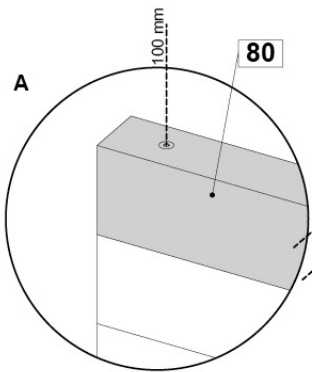
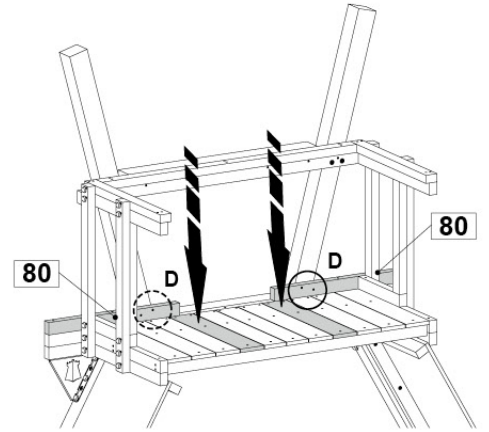
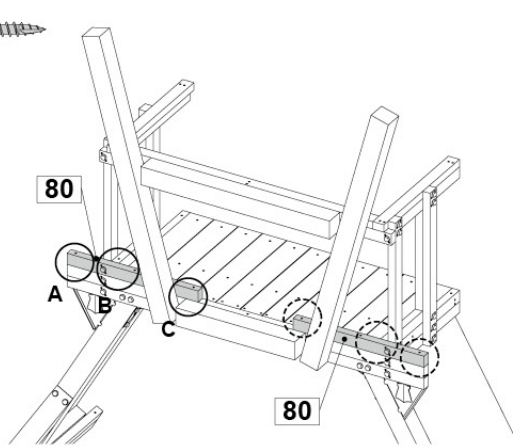
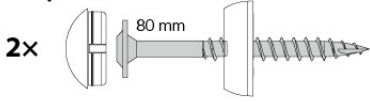
# 11.1c



4x 80 mm



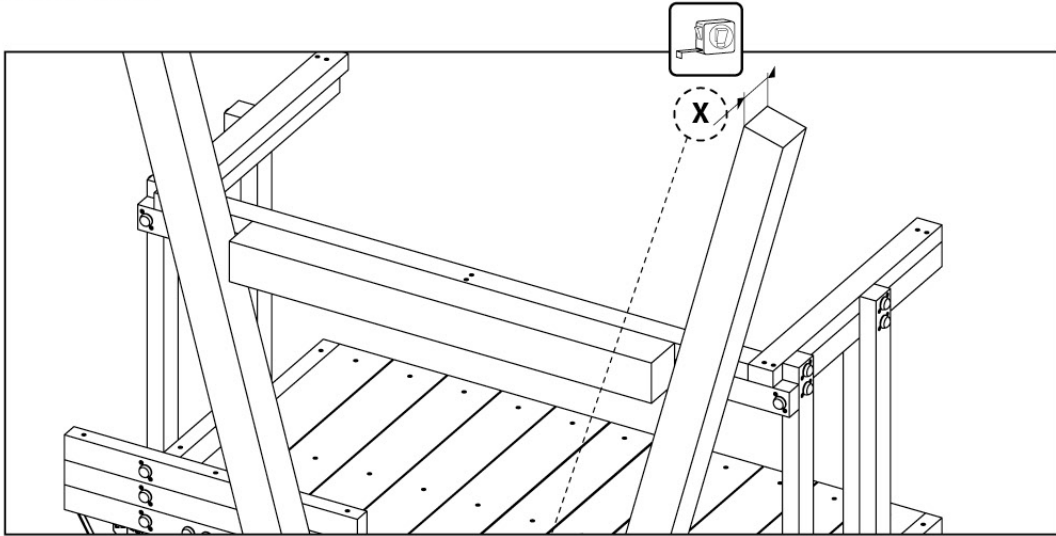
11.1d



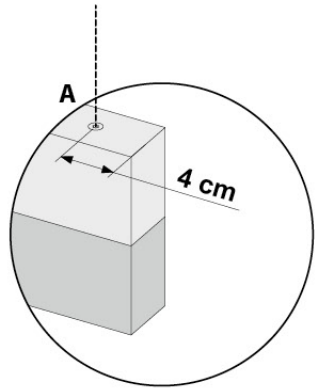
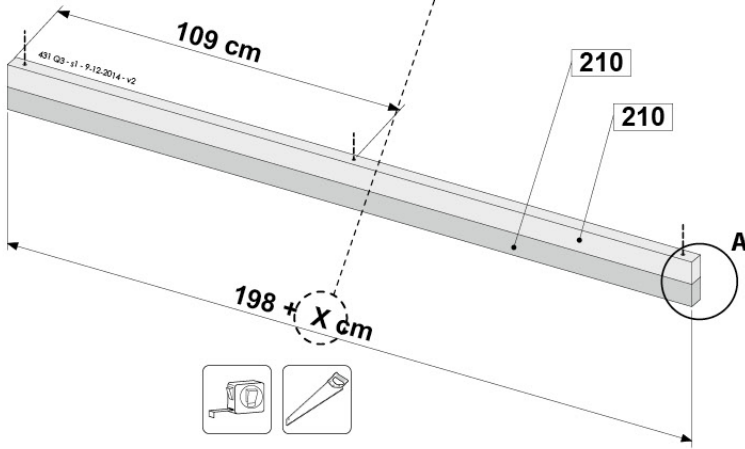
11.2a



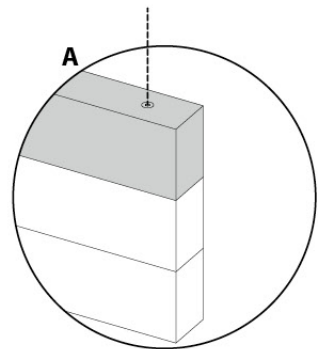
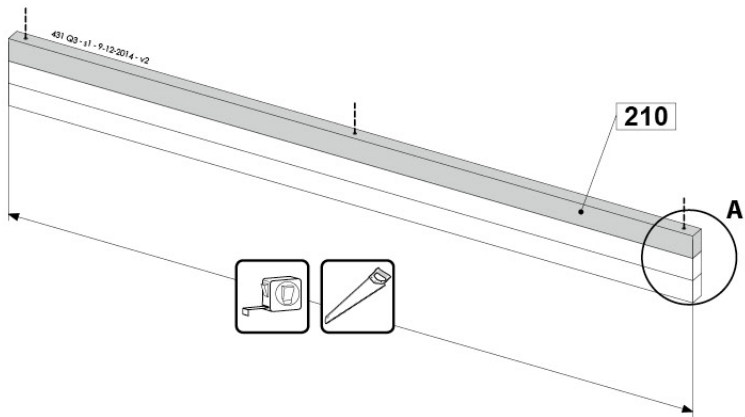
12x 100 mm



1



2

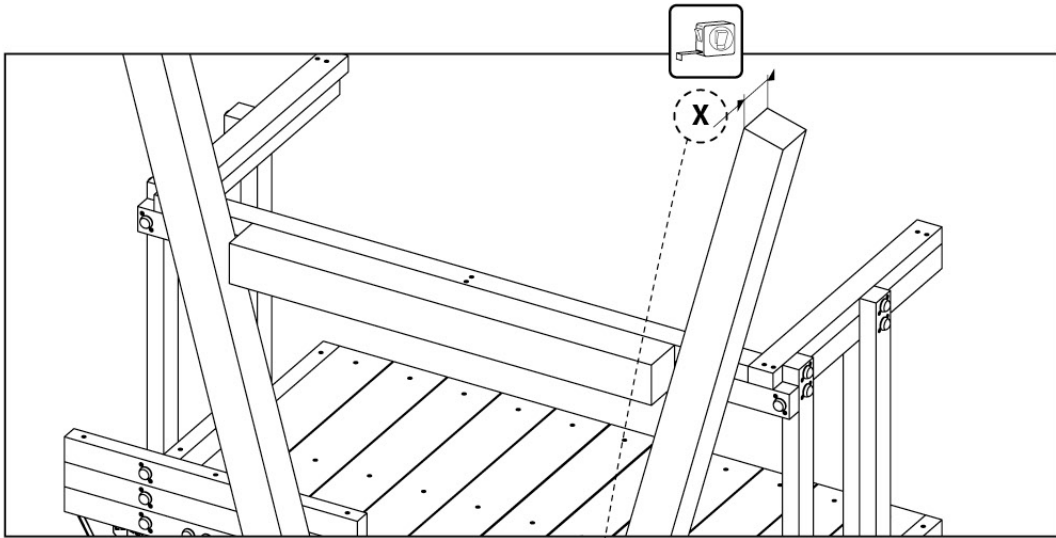


3

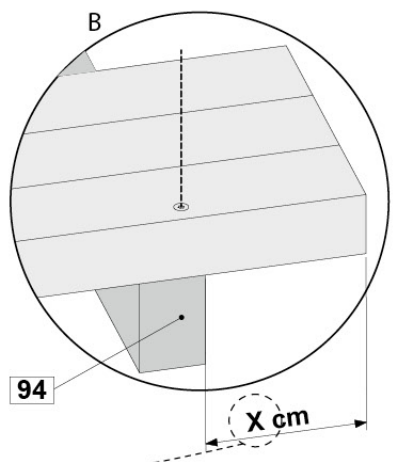
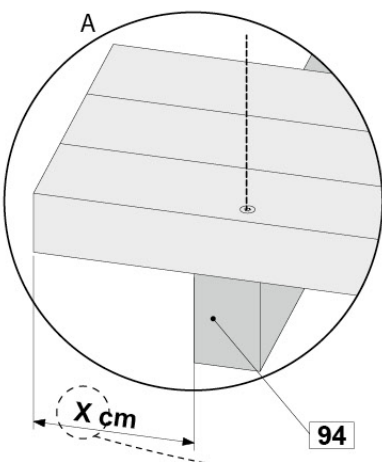
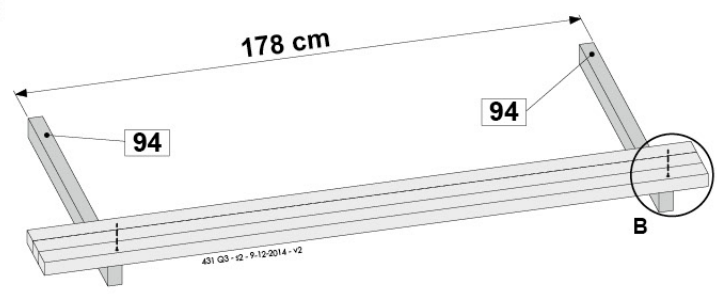
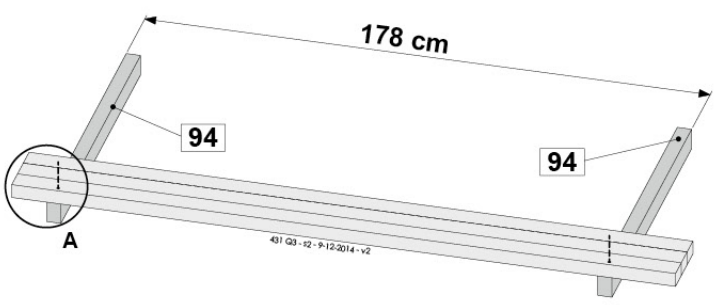
11.2a

2x

11.2b



4x 80 mm

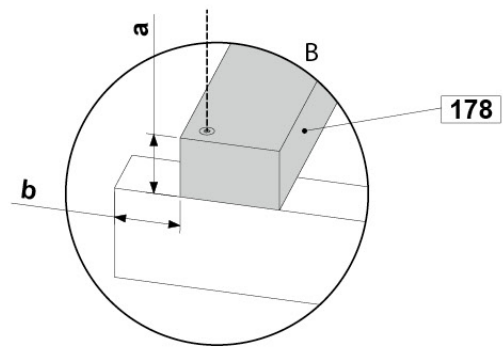
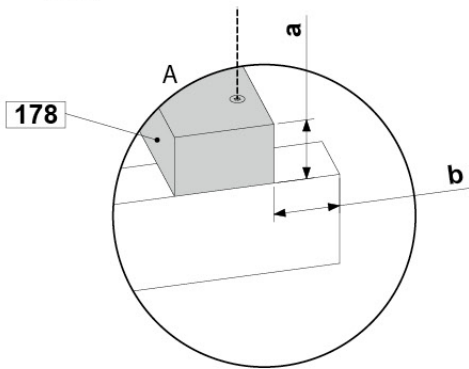
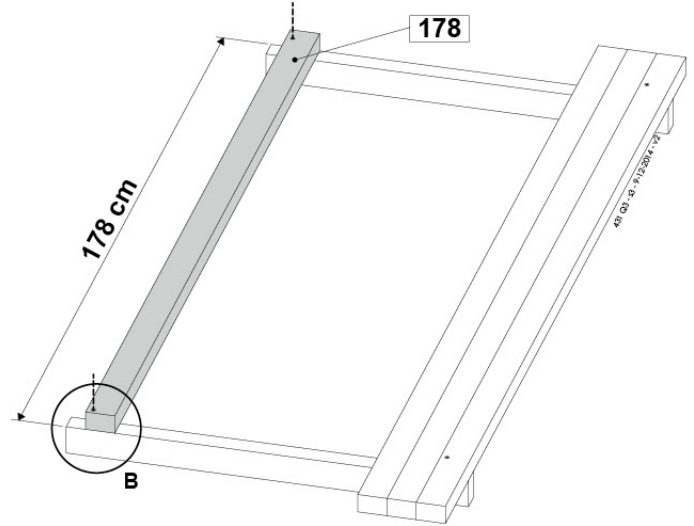
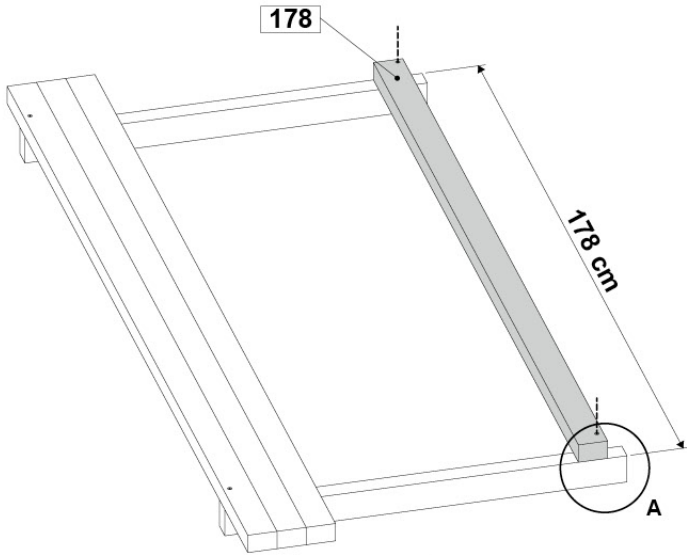




# 11.2c

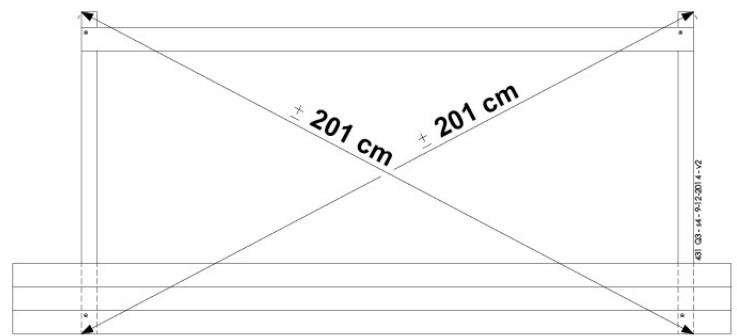
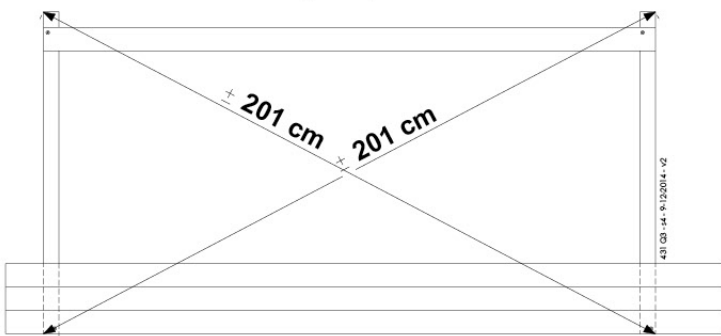


4x 80 mm

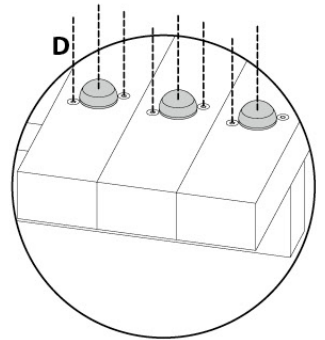
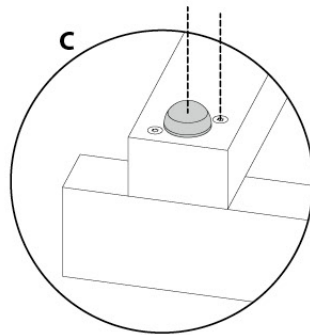
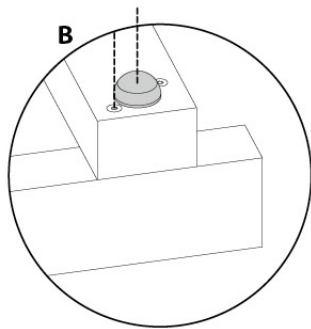
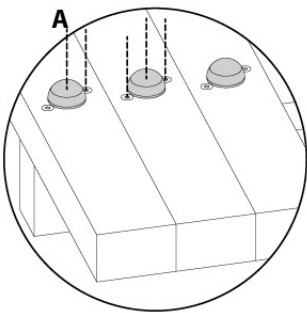
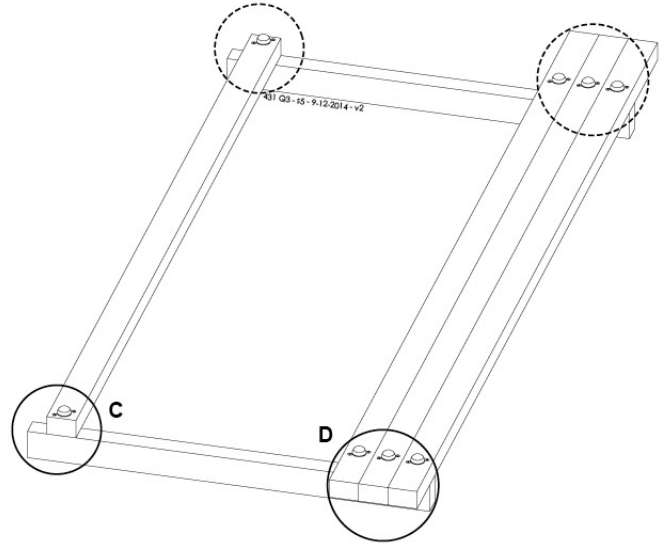
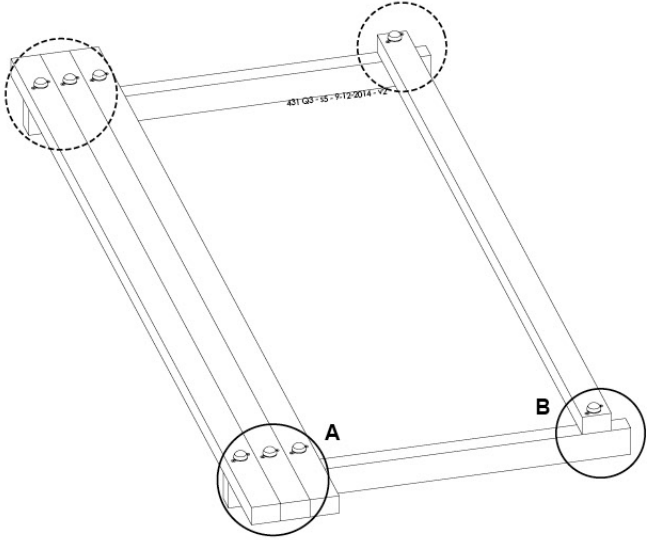
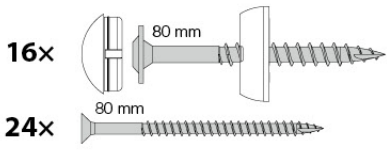


a = a  
b = b

# 11.2d



11.2e

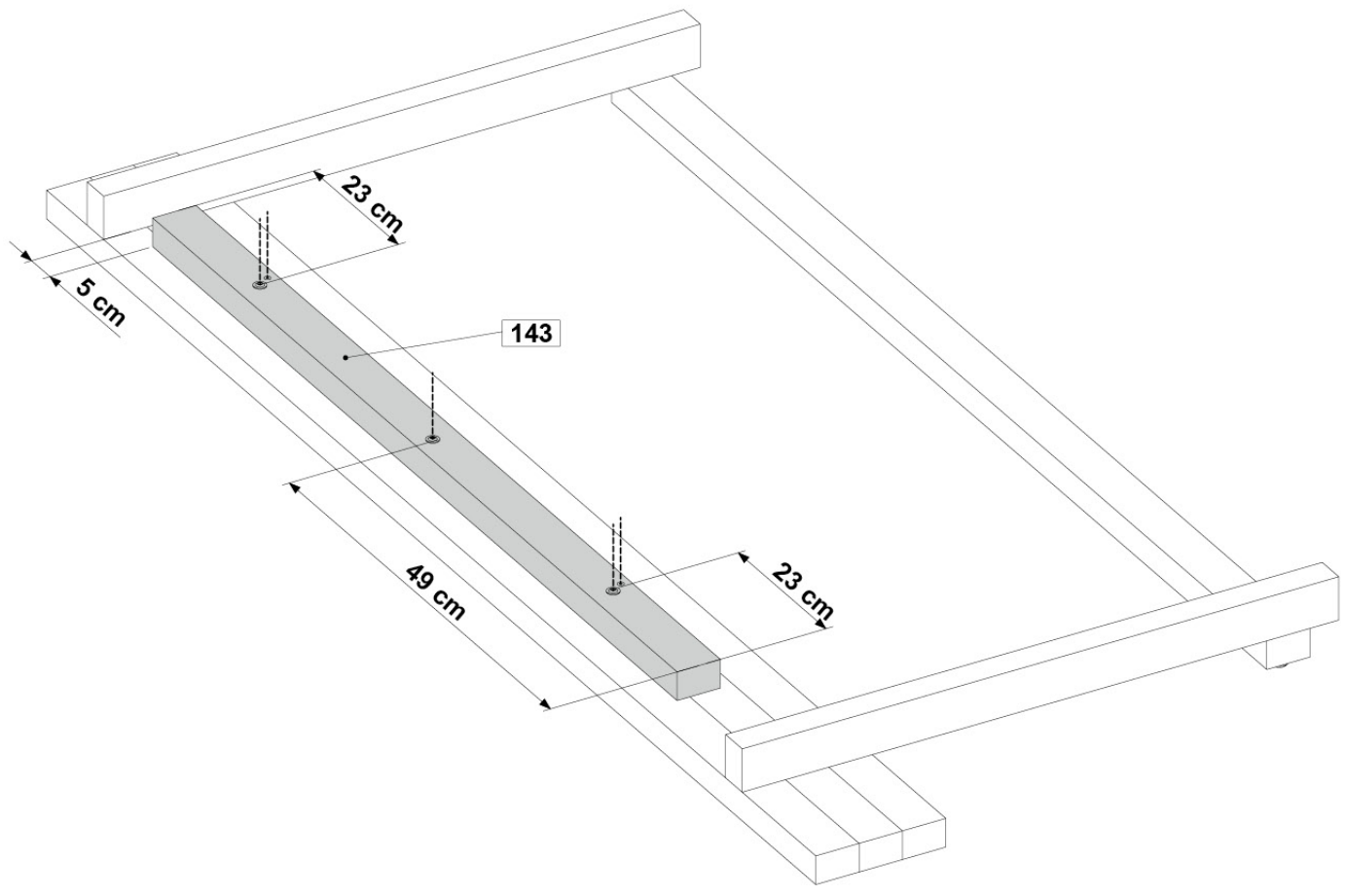
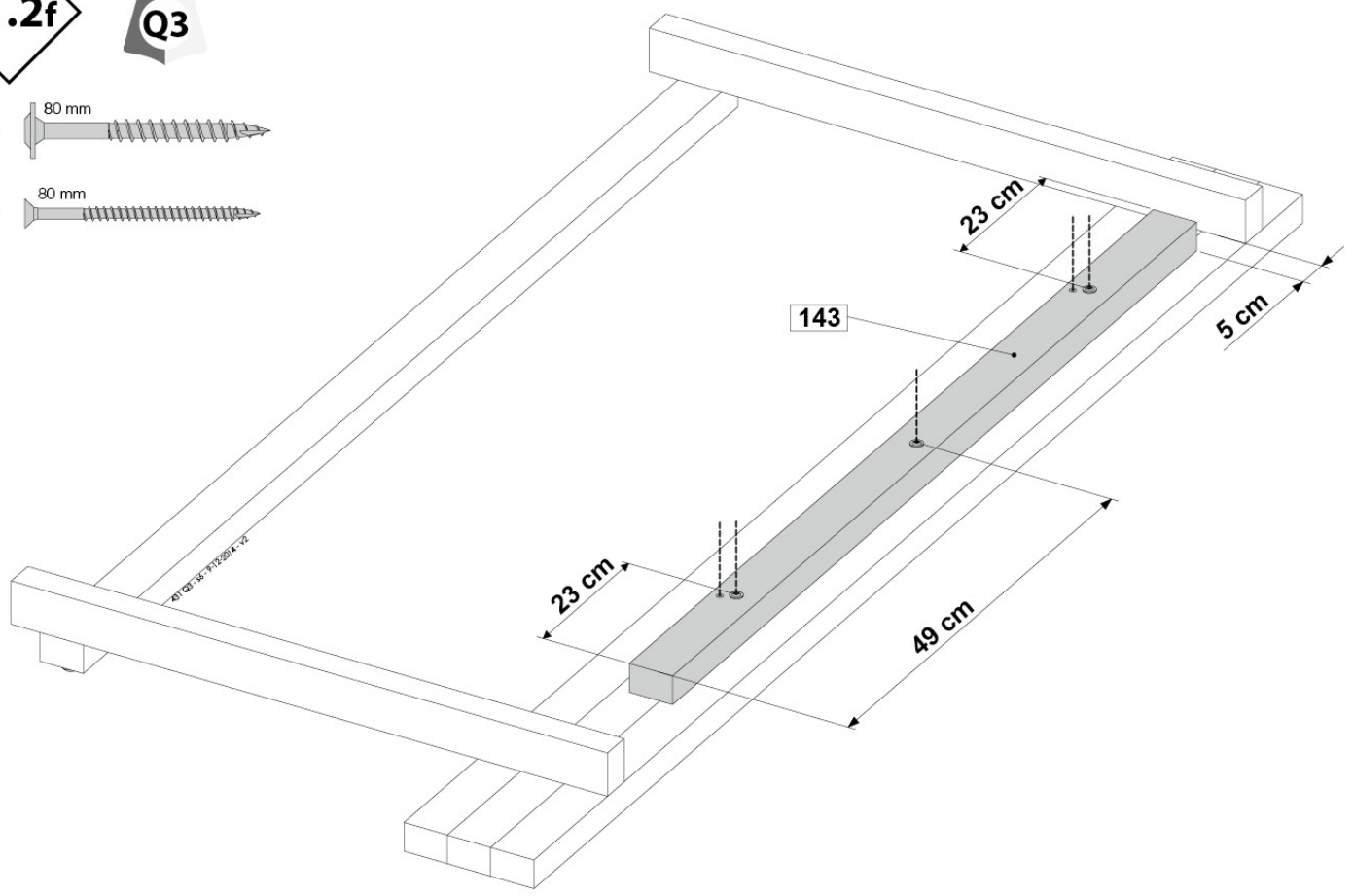


11.2f



6x 80 mm

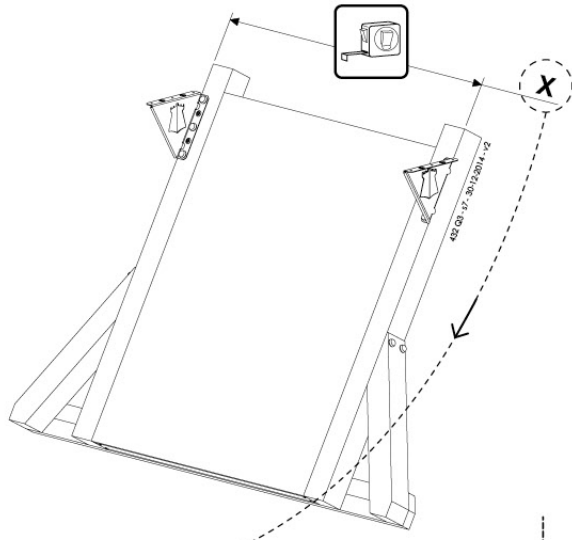
4x 80 mm



11.2g

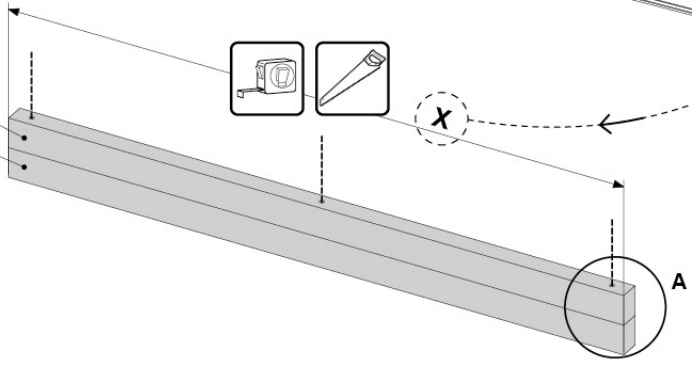


6x 100 mm



144

144

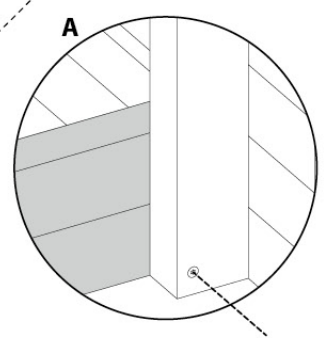
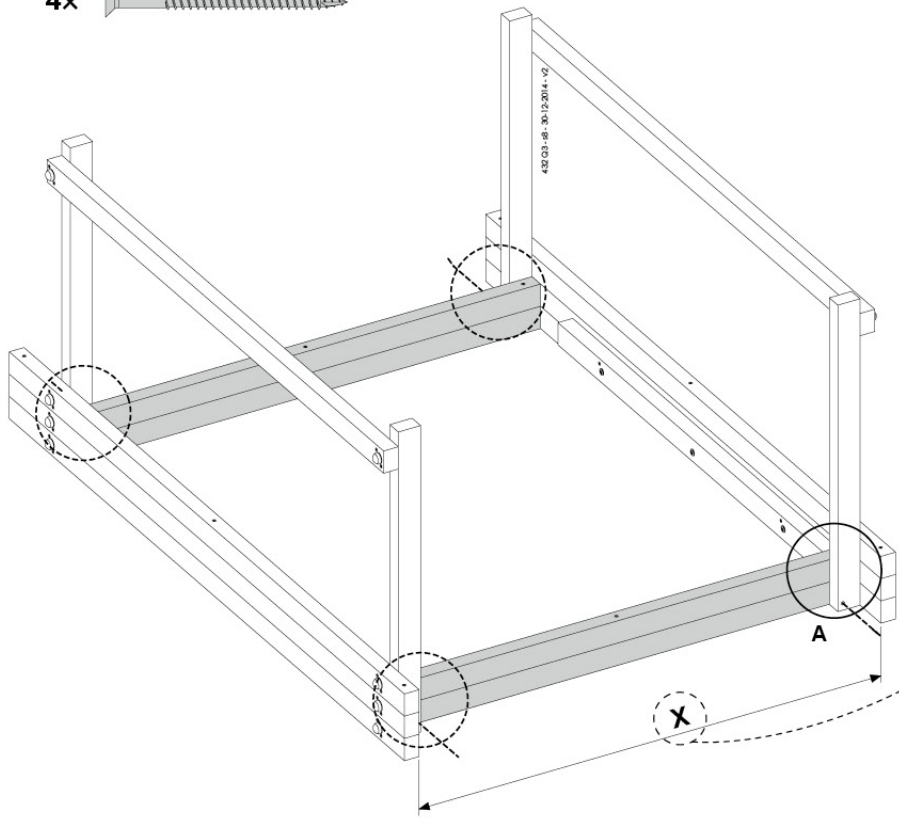
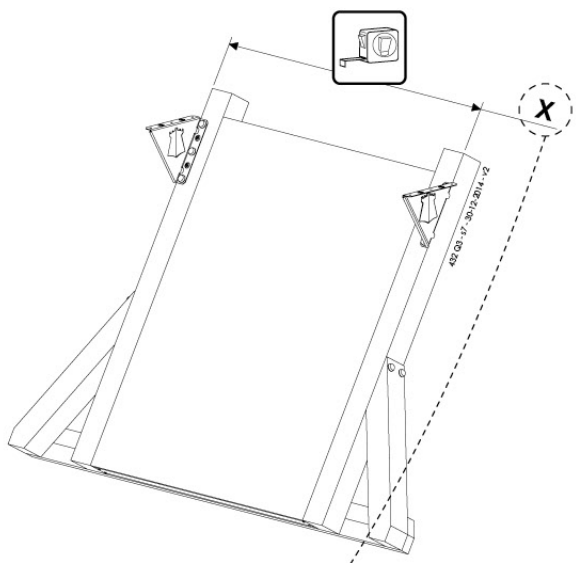


2x

11.2h



4x 80 mm

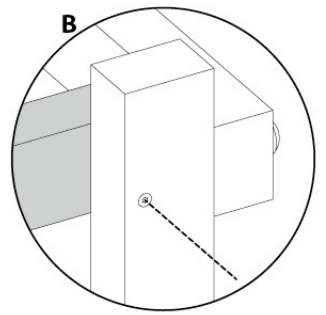
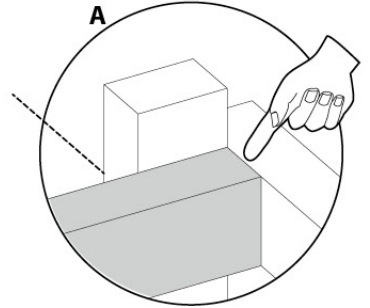
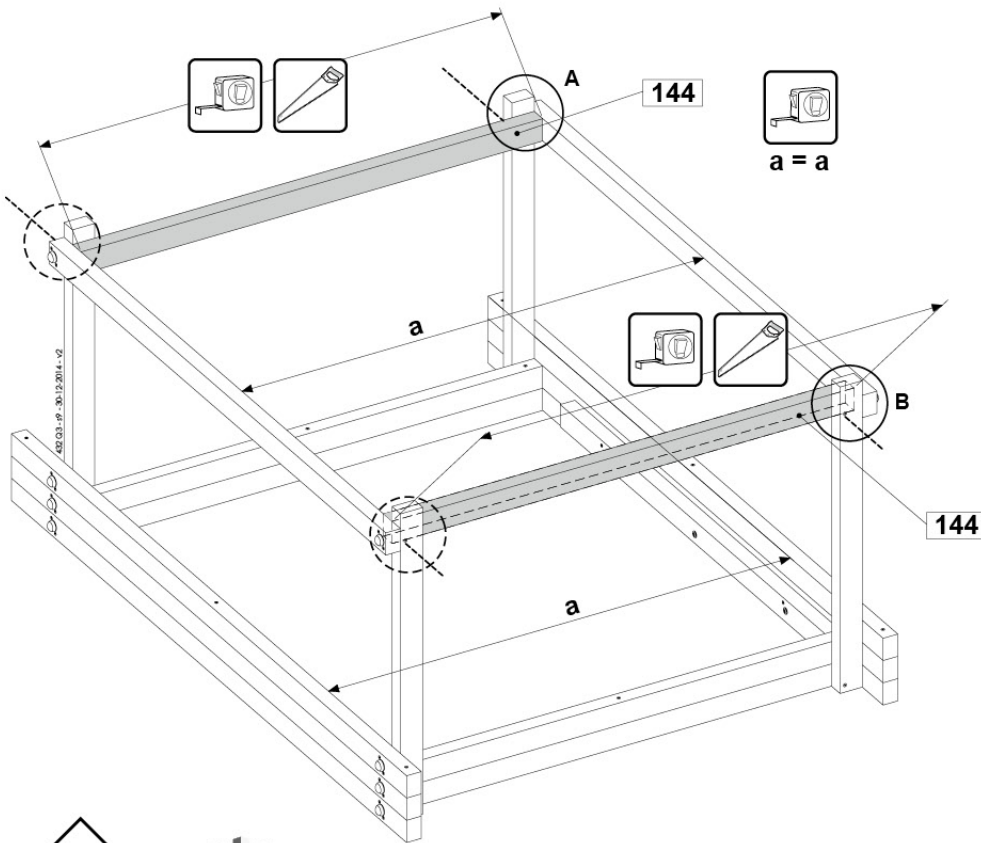




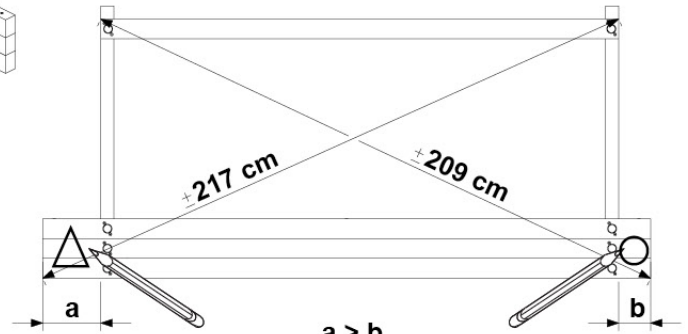
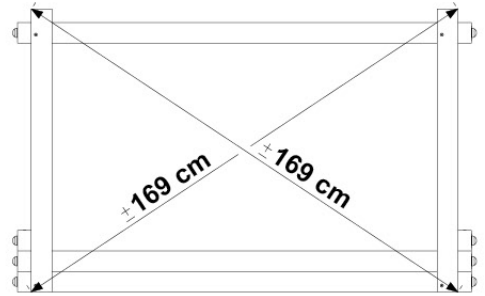
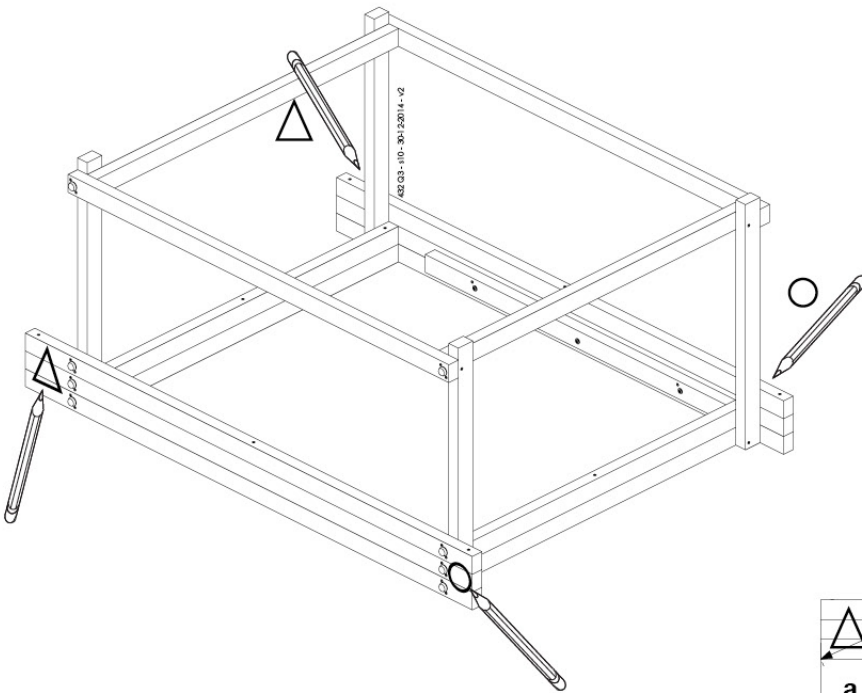
# 11.2i



4x 80 mm



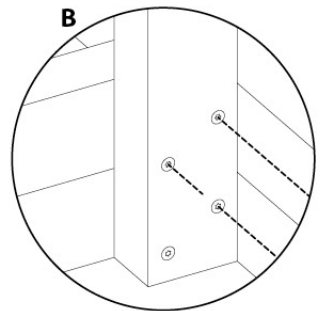
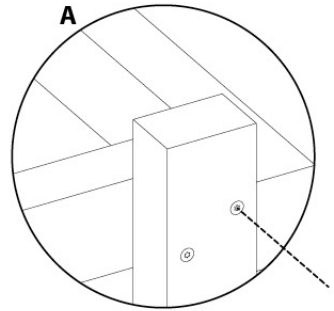
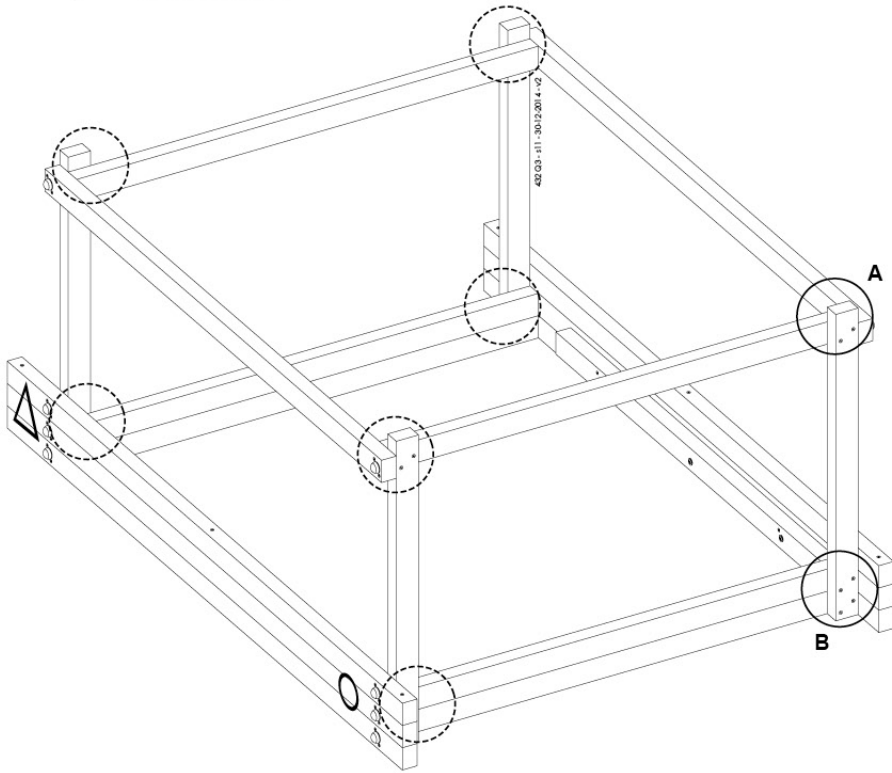
# 11.2j



11.2k



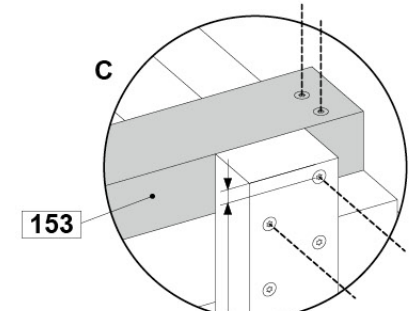
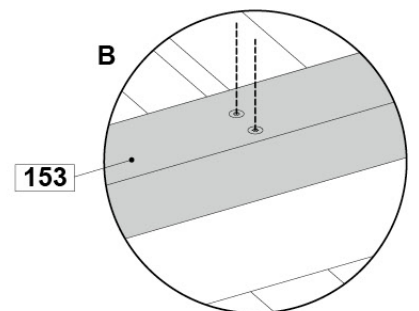
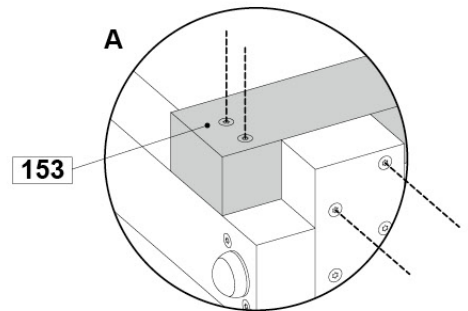
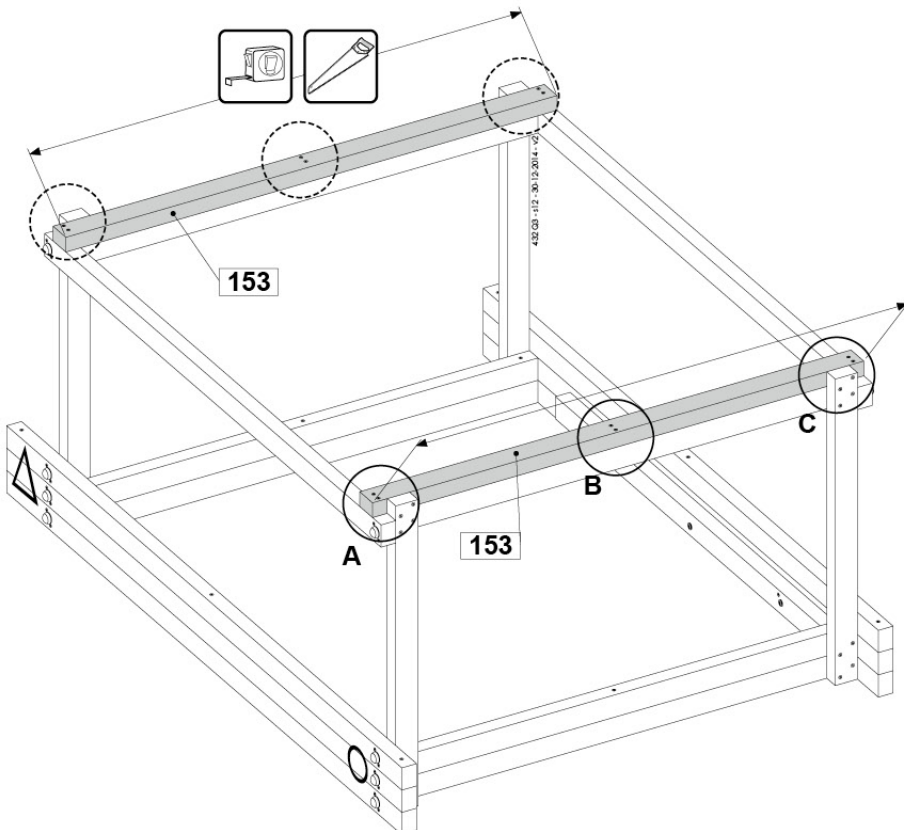
16x 80 mm



11.2L



20x 80 mm

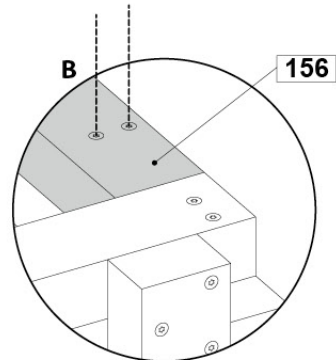
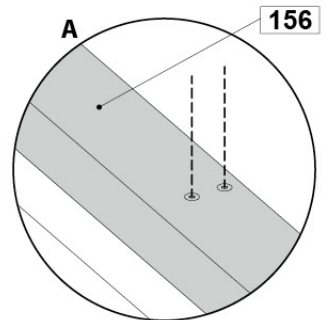
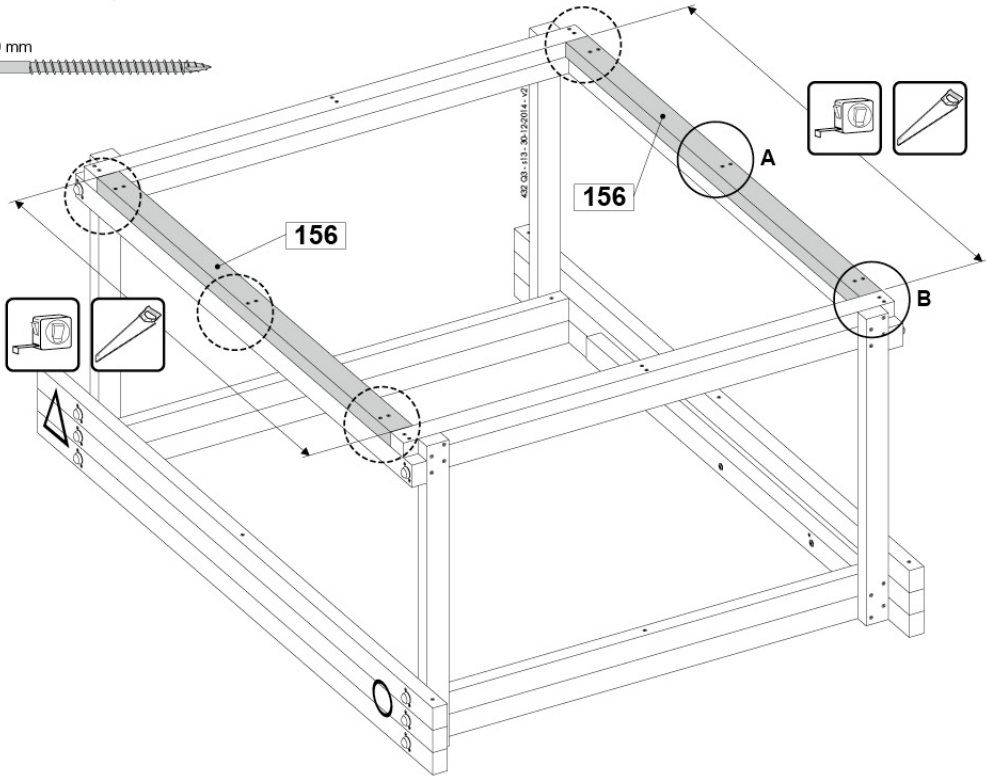


min. 1 cm

11.2m



12x 80 mm

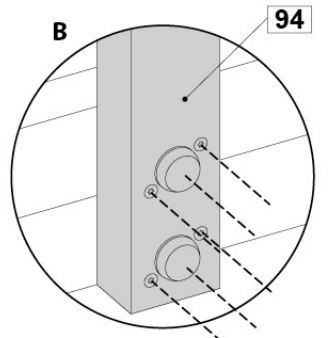
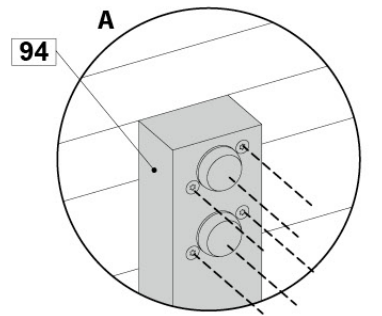
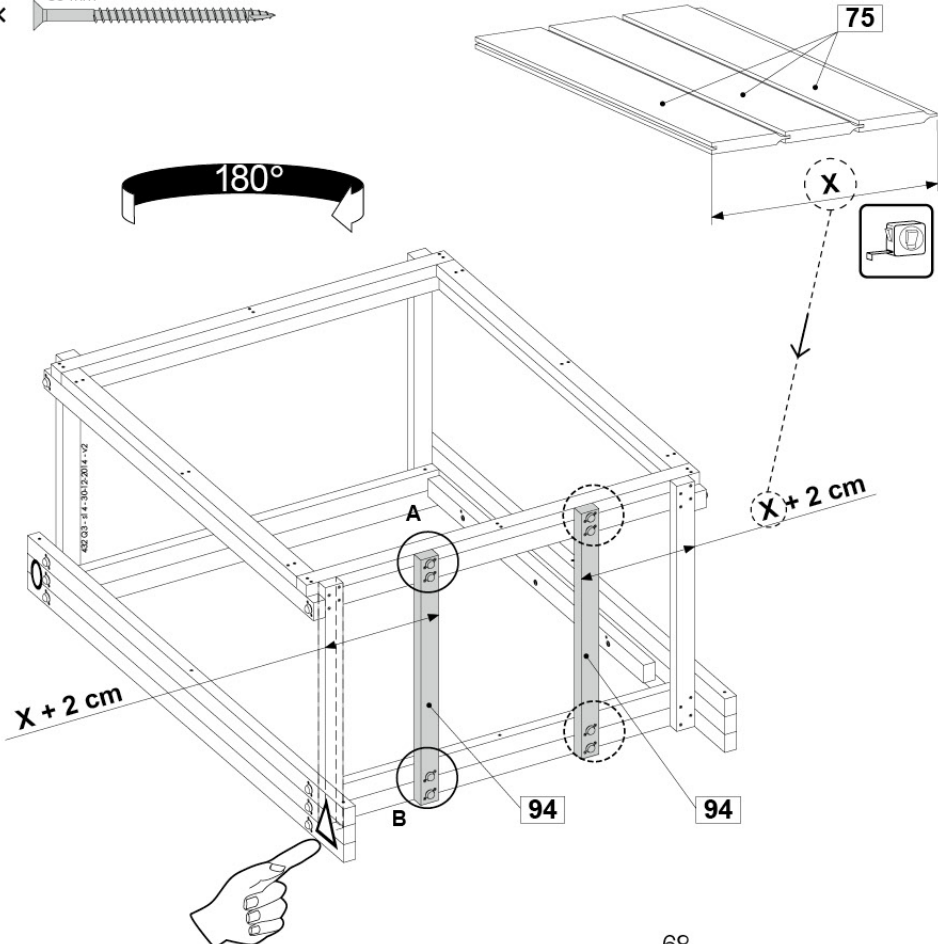


11.2n

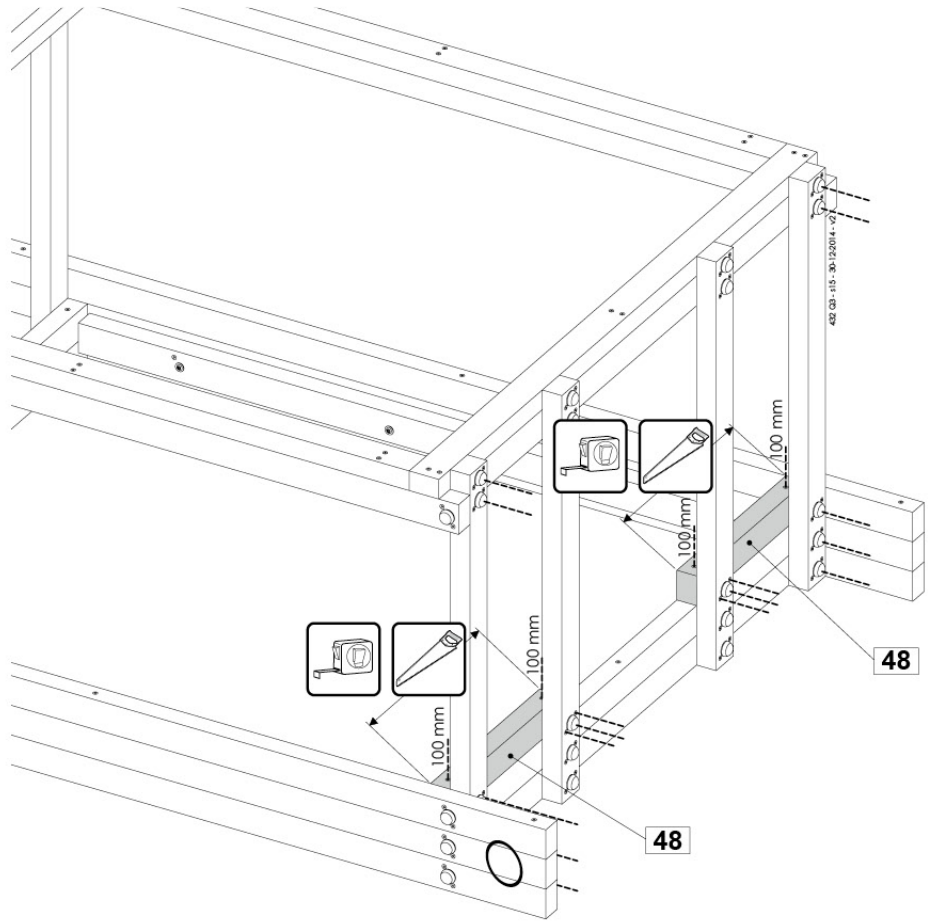
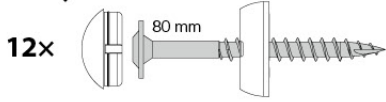


8x 80 mm

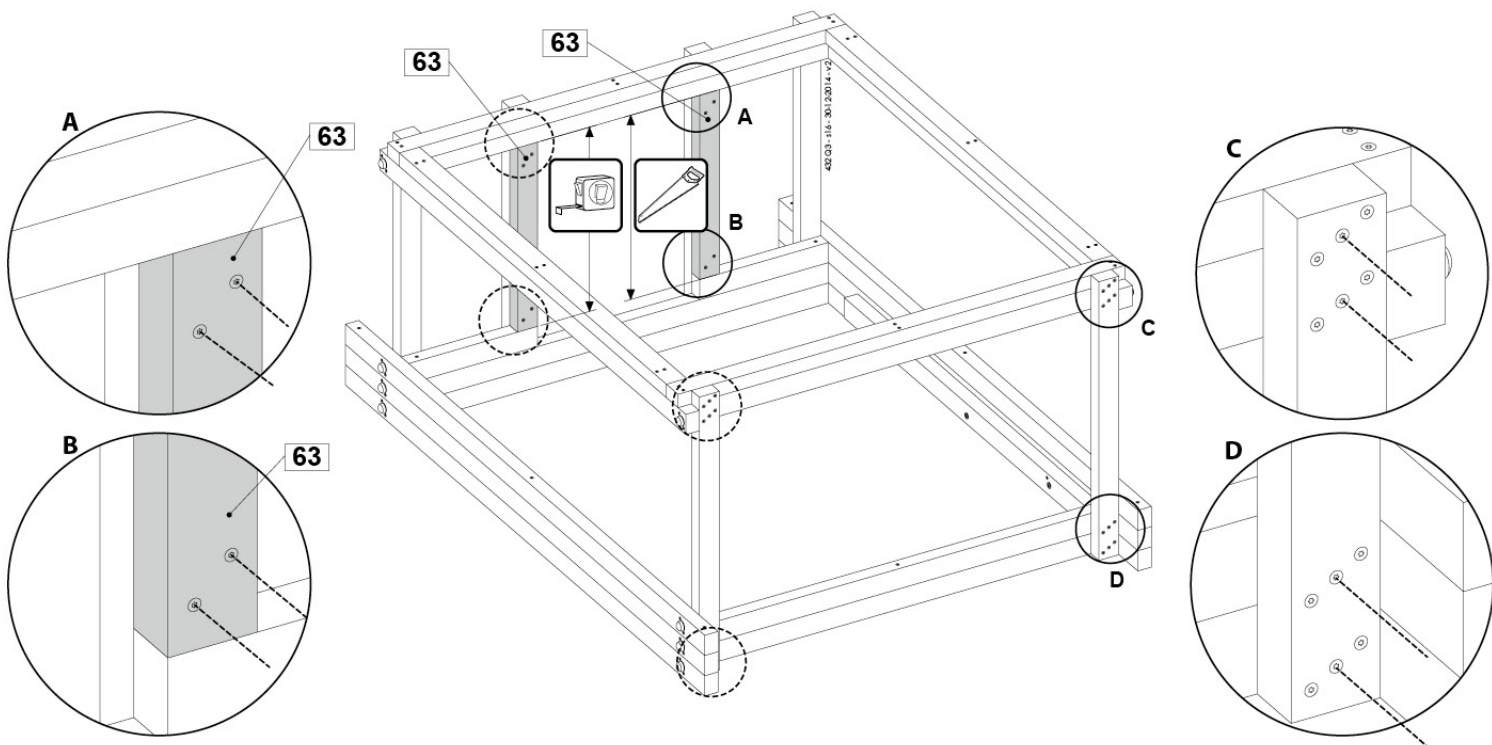
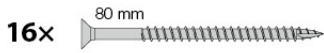
16x 80 mm



# 11.2o



# 11.2p

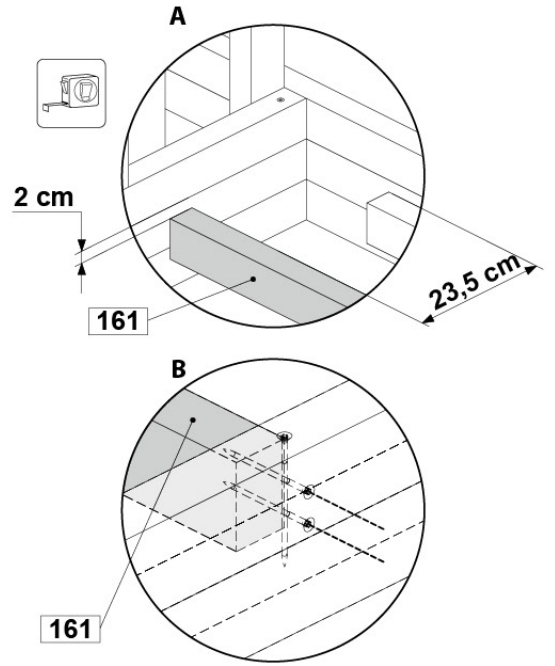
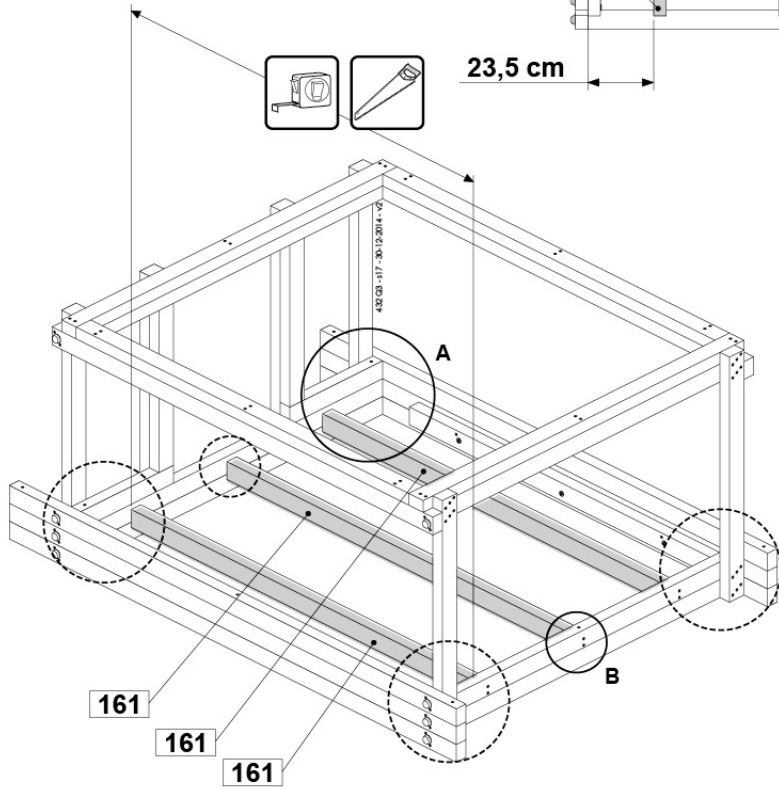
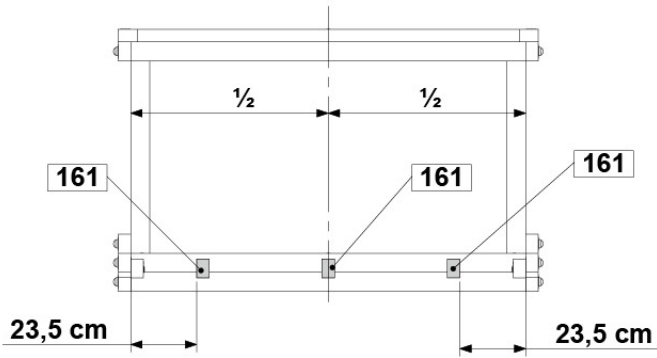




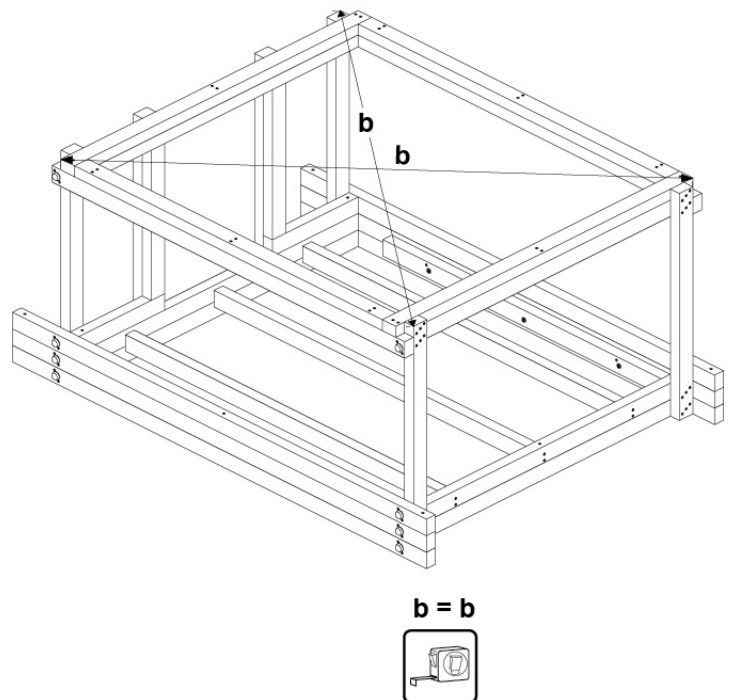
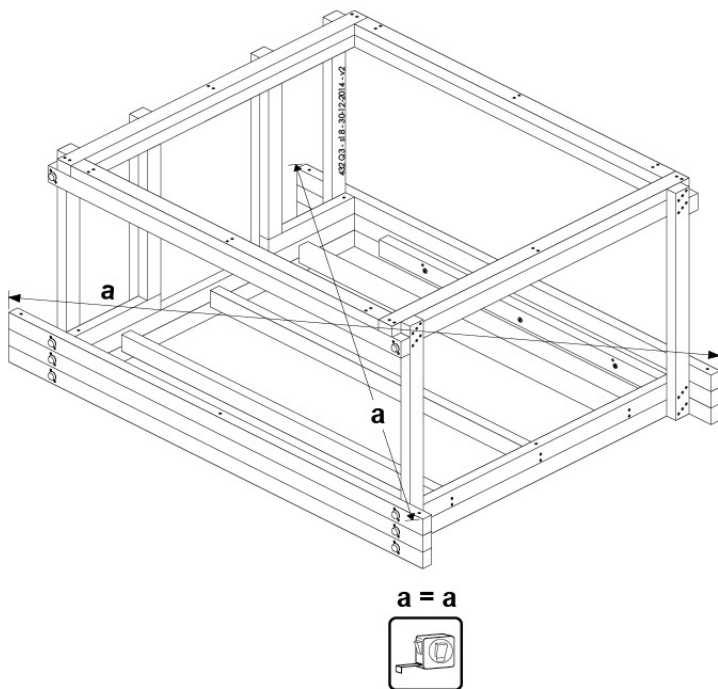
11.2q



12x 80 mm



11.2r



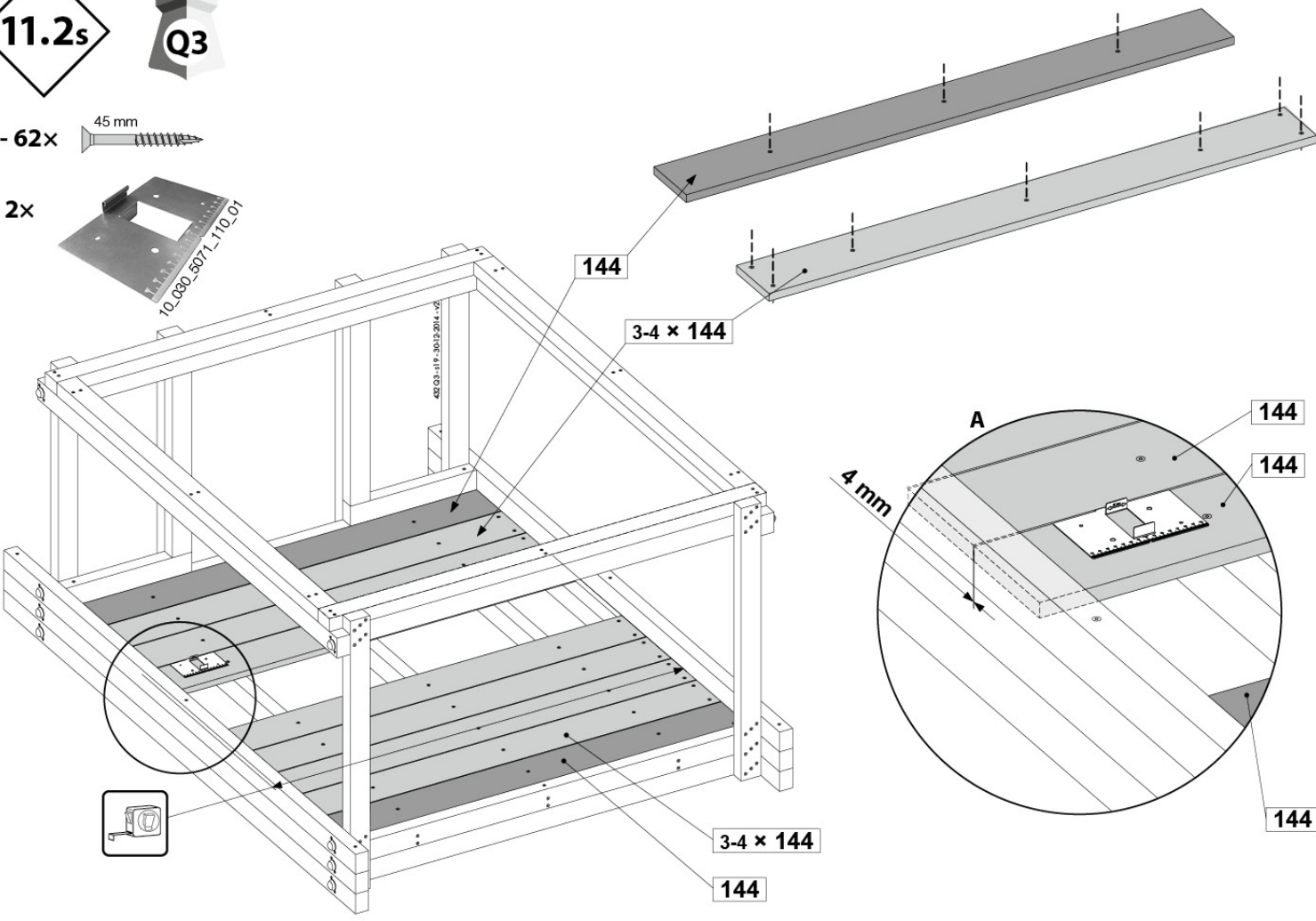
# 11.2s



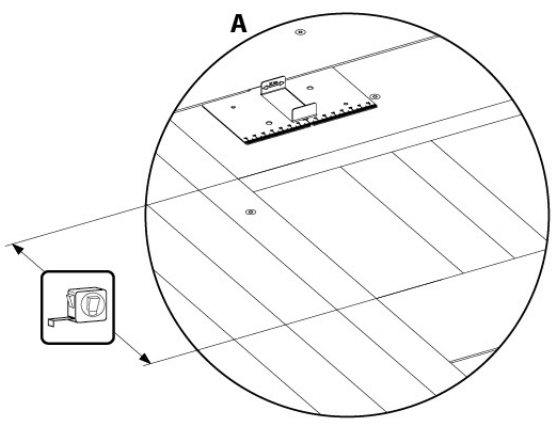
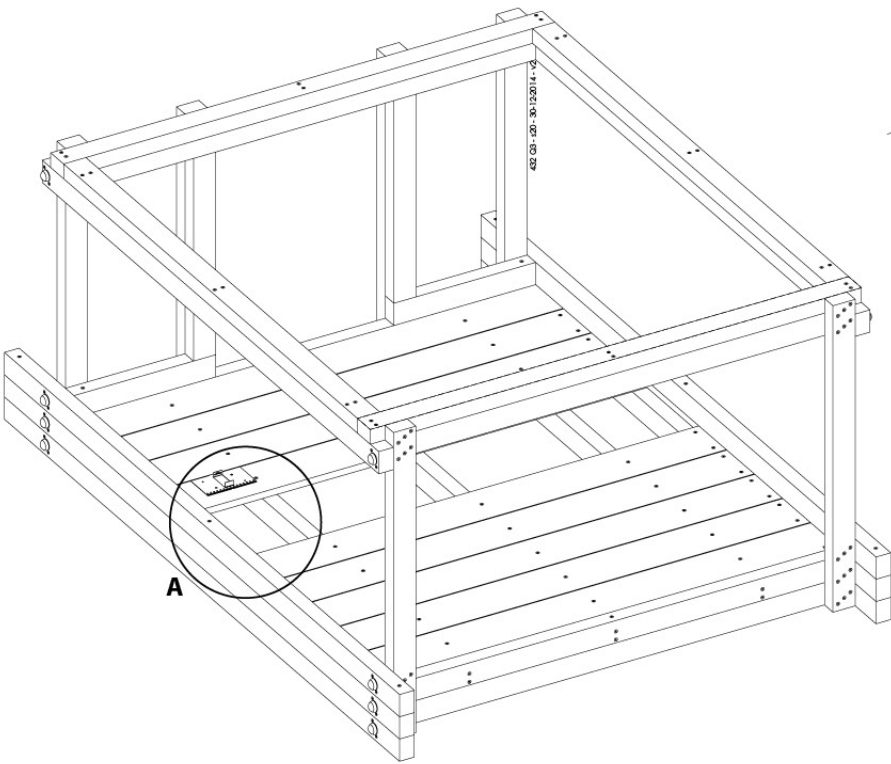
48 - 62x 45 mm

2x

10\_080\_0071\_L\_110\_01

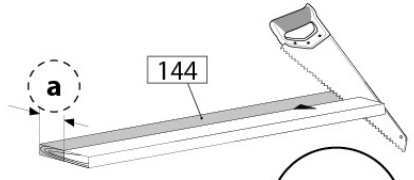


# 11.2t



- 1,2 cm

$$\frac{\quad}{2} = \text{a}$$

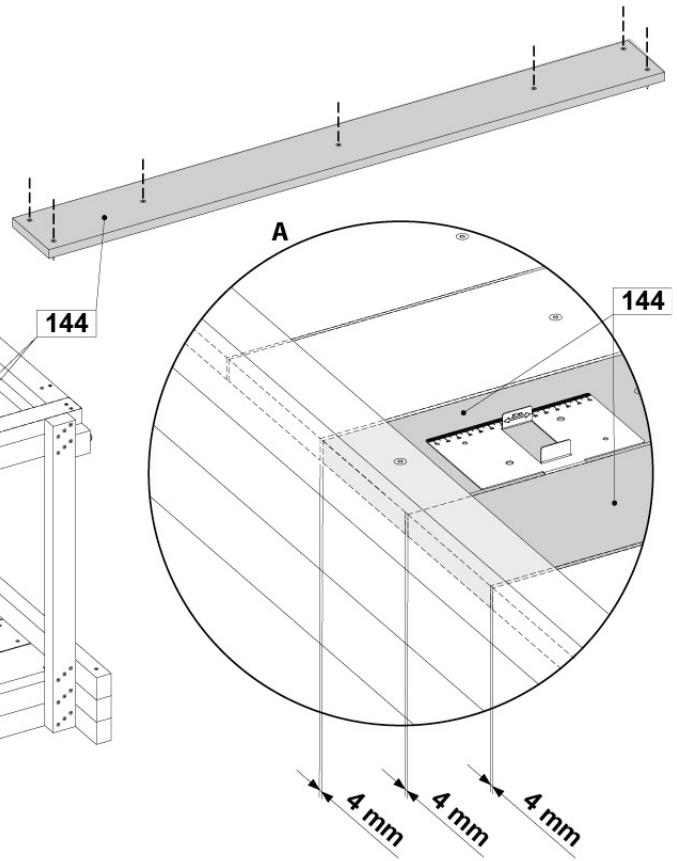
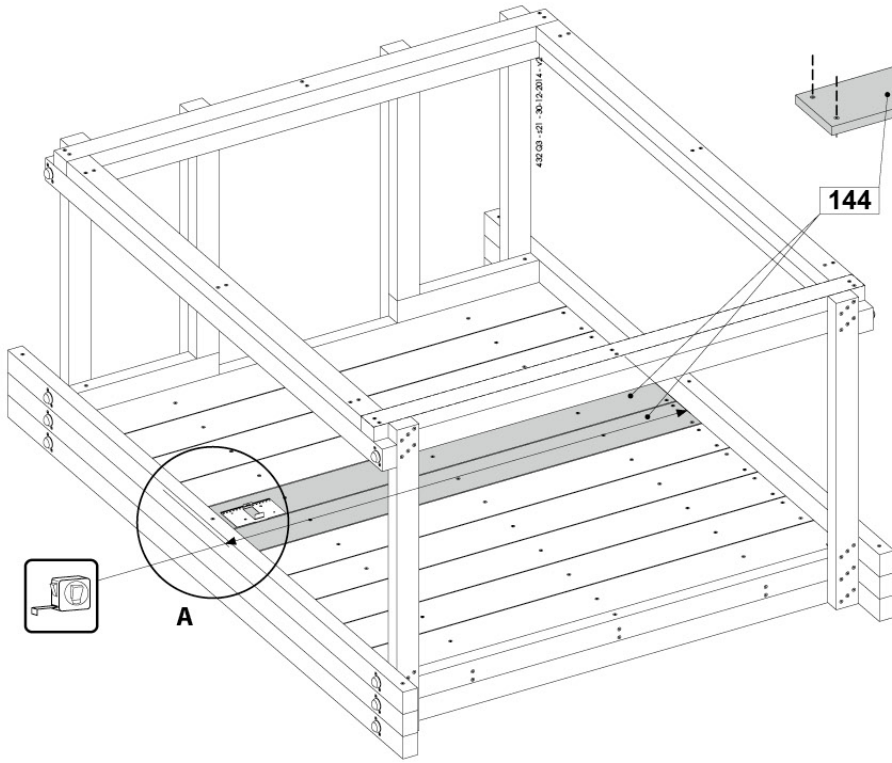


**2x**

11.2u



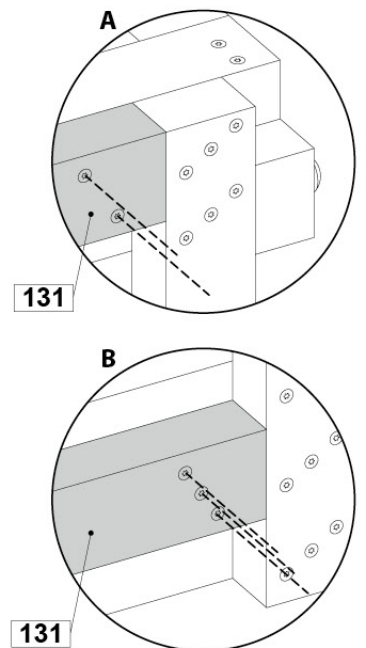
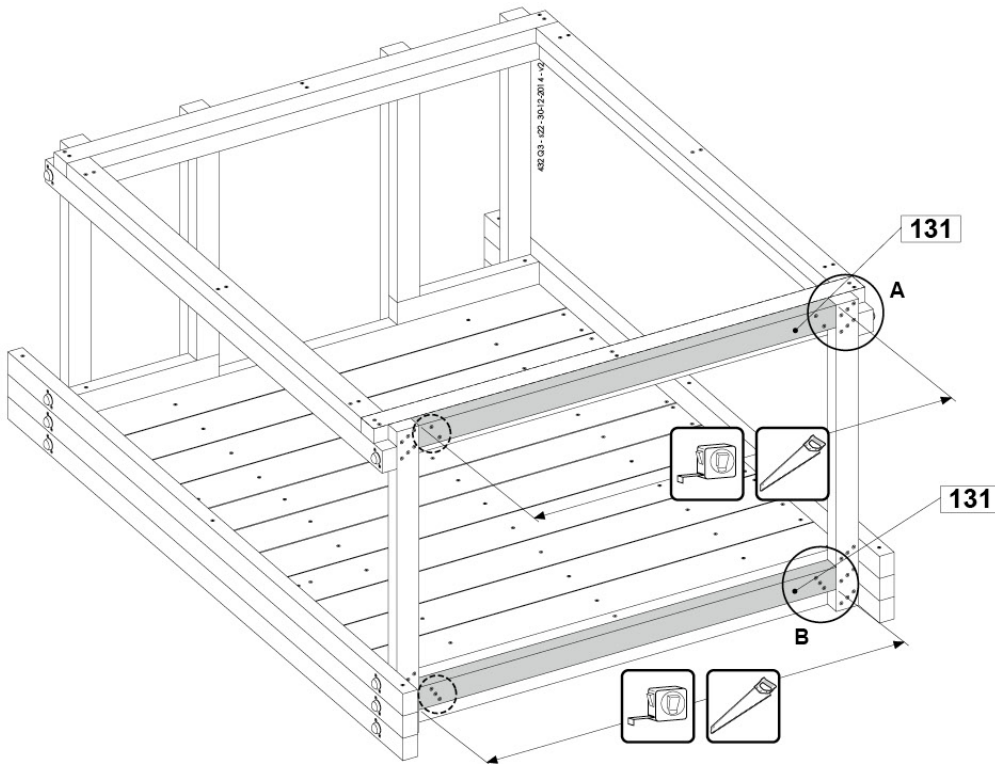
14x 45 mm



11.2v



10x 80 mm

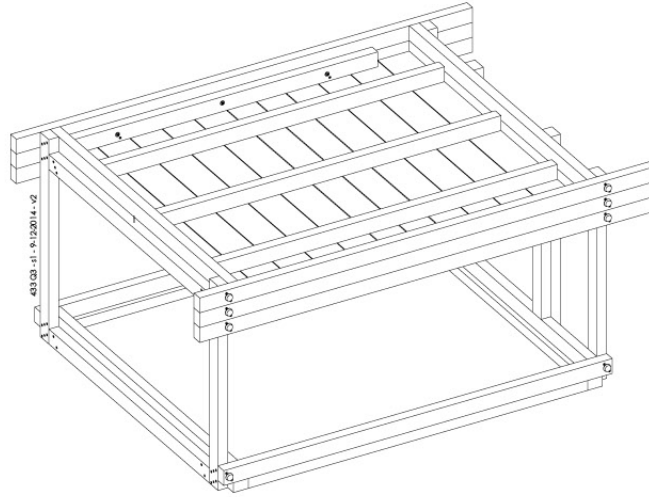




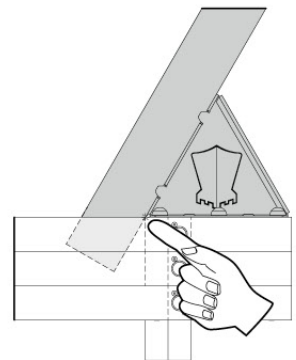
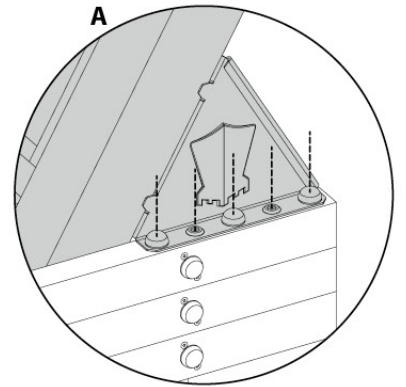
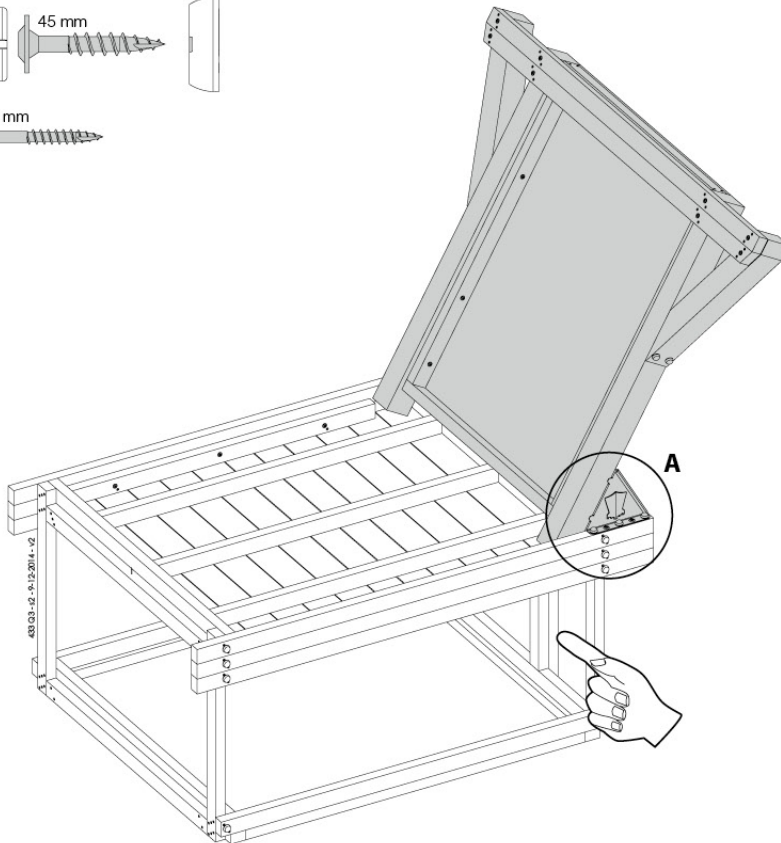
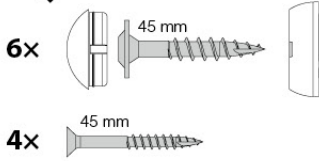
11.3a



180°

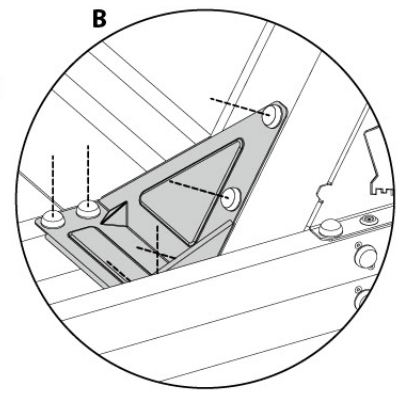
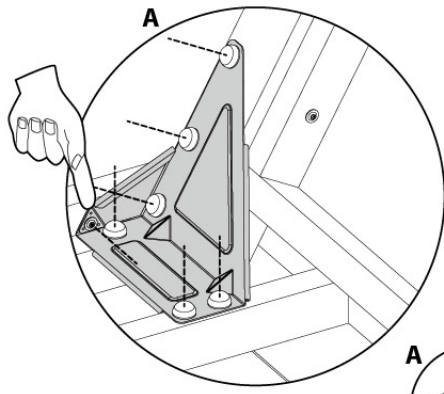
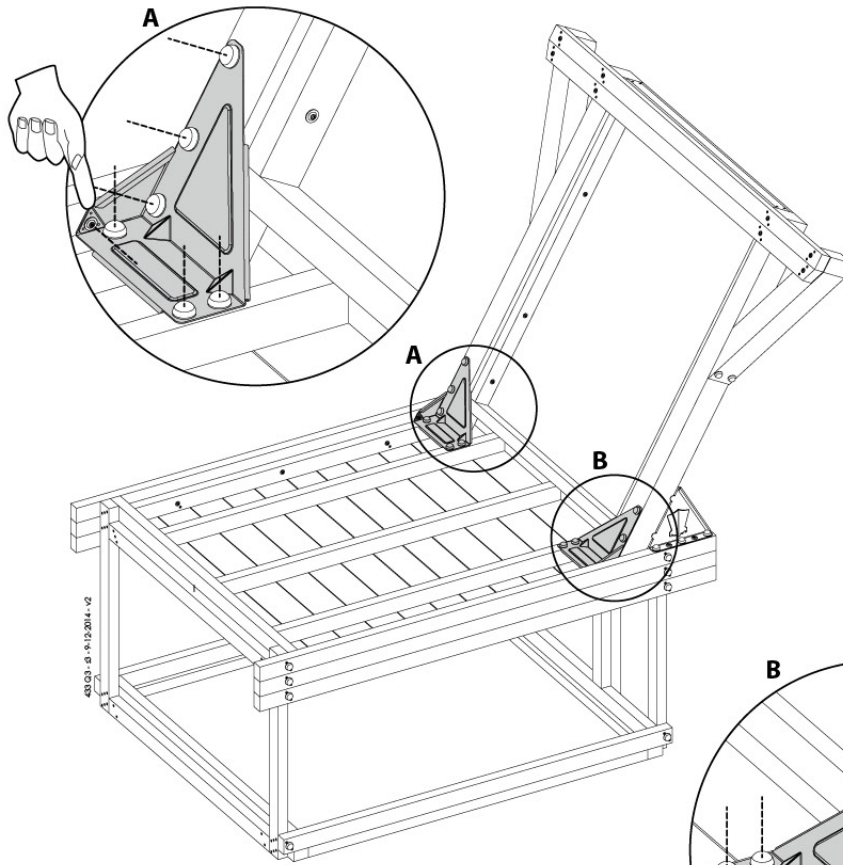
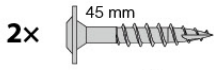
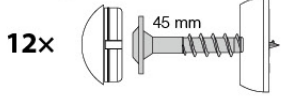


11.3b

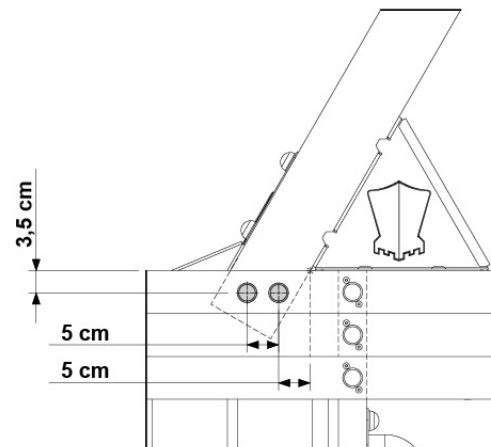
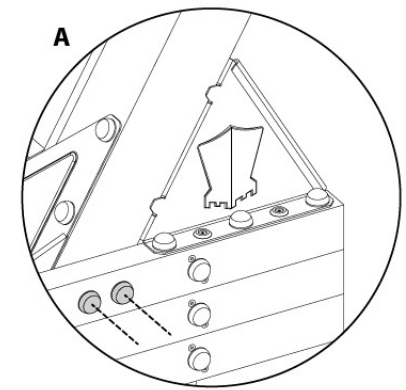
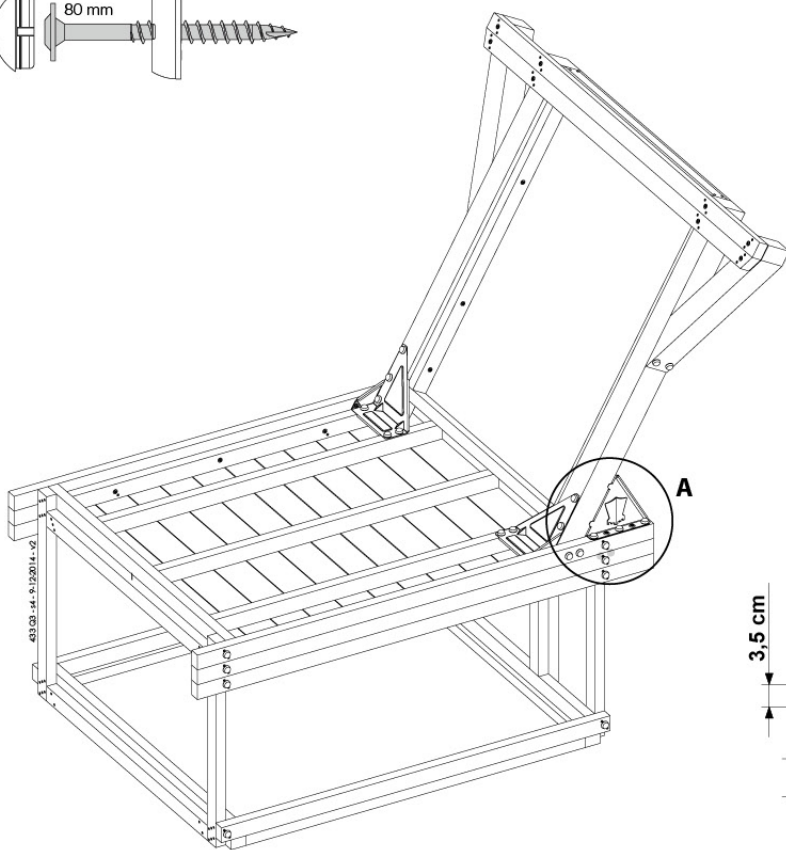
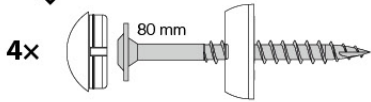




**11.3c**



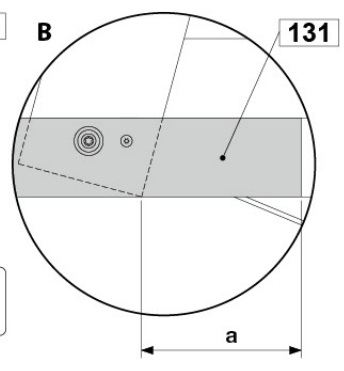
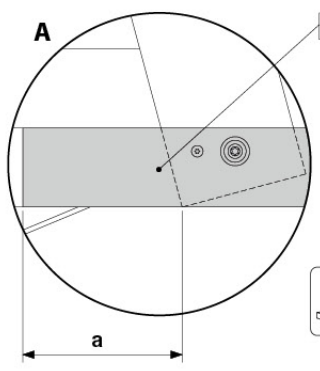
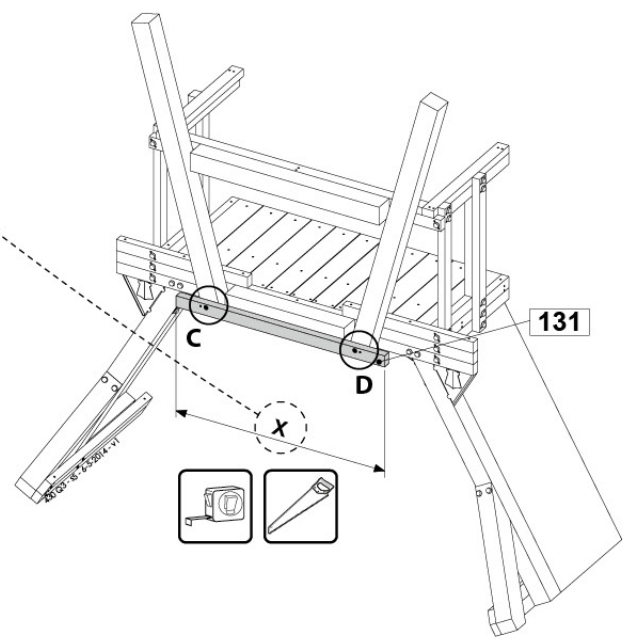
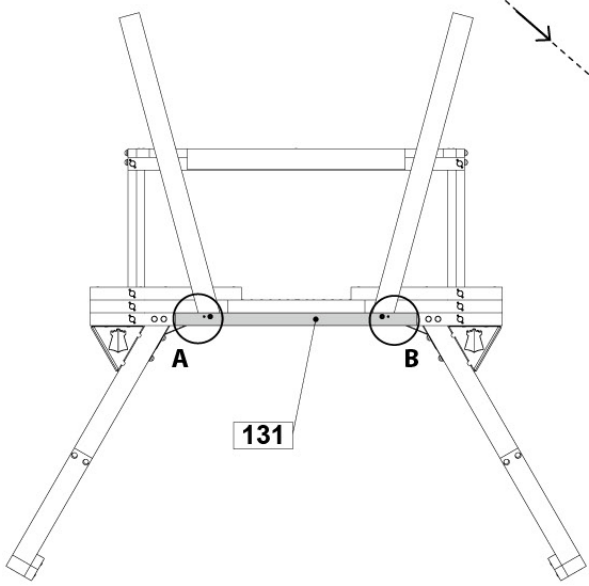
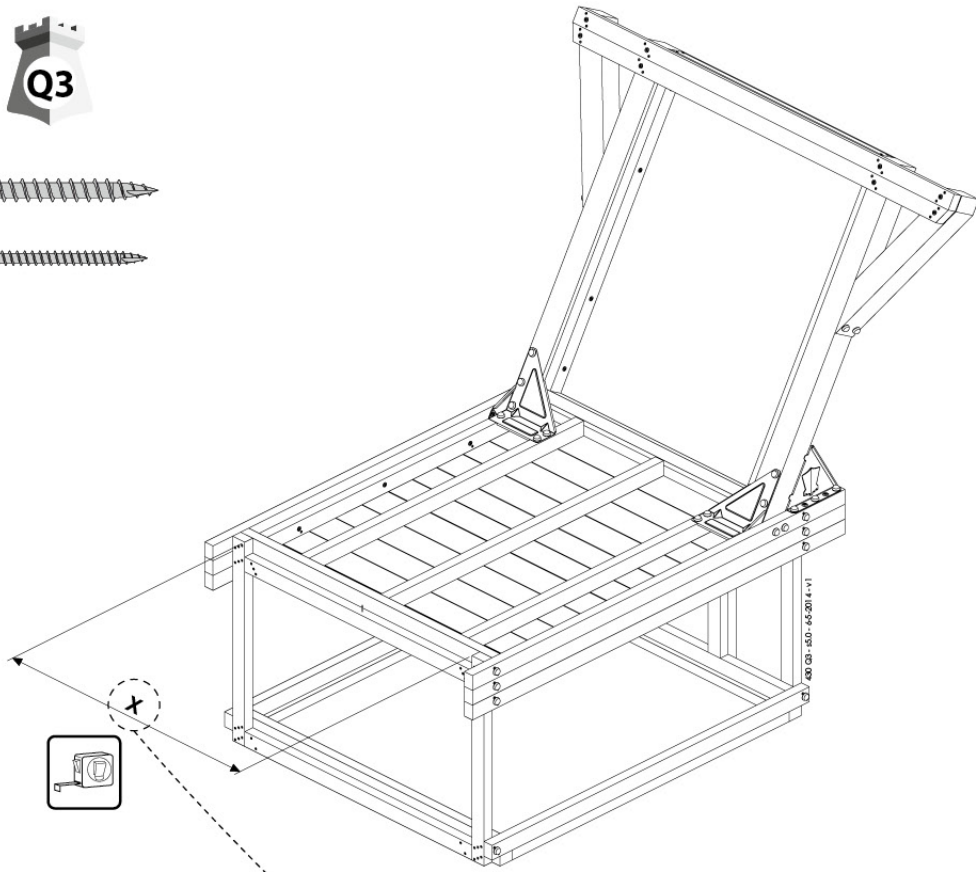
**11.3d**



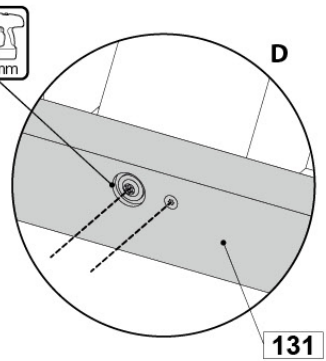
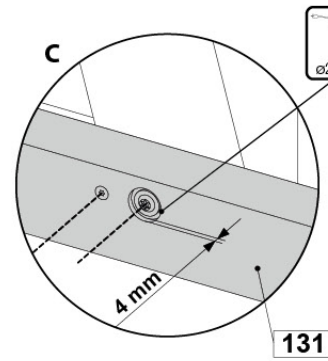
# 11.3e



- 2x 80 mm
- 2x 80 mm

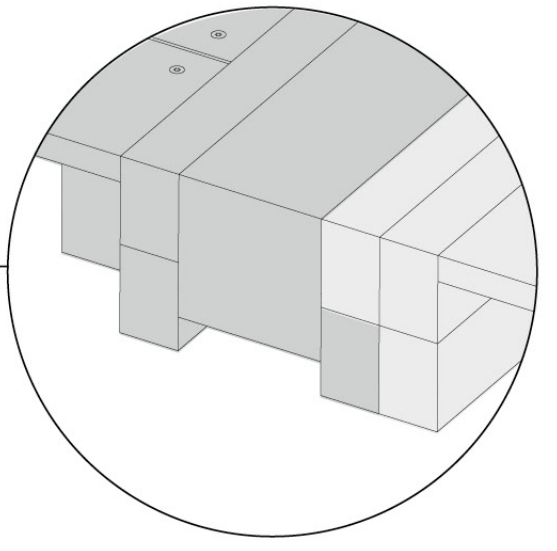
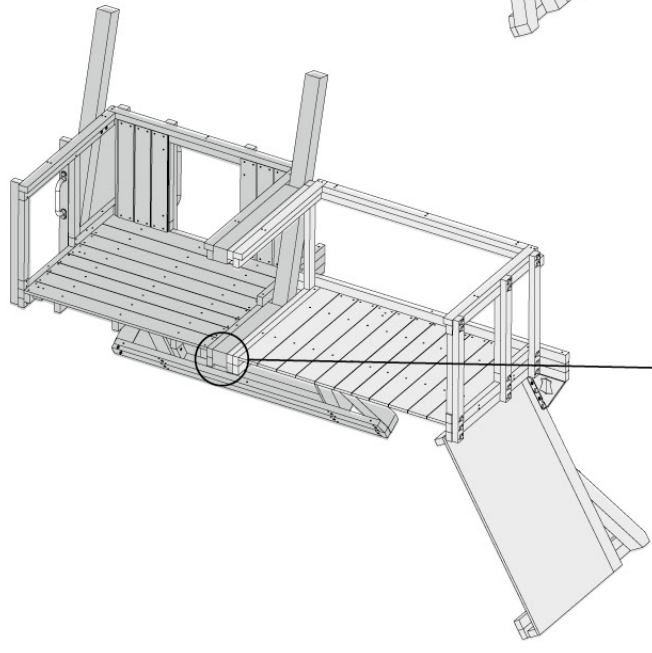
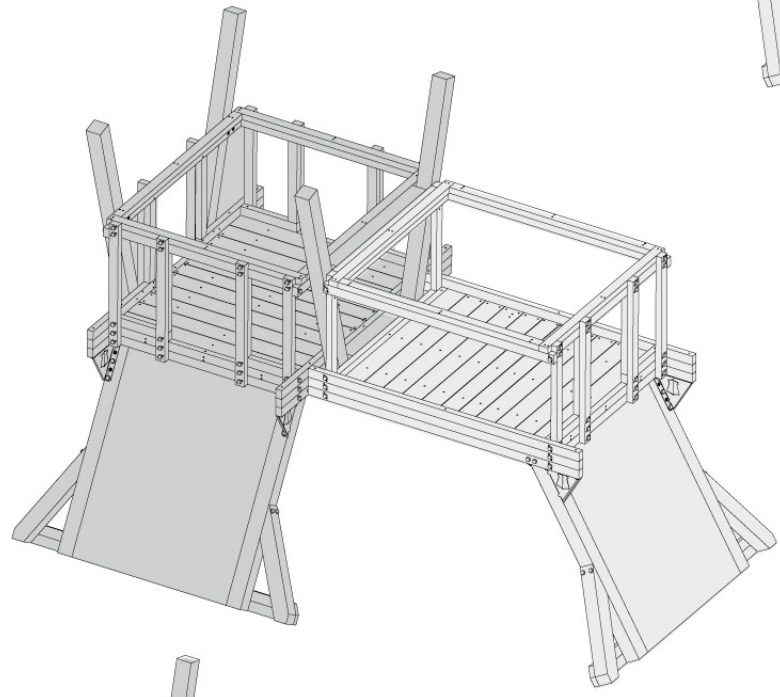
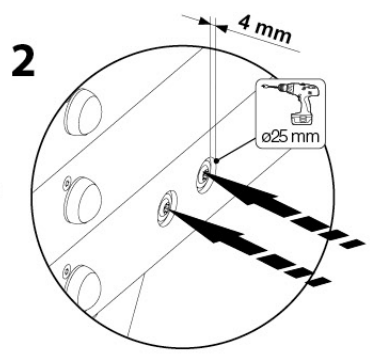
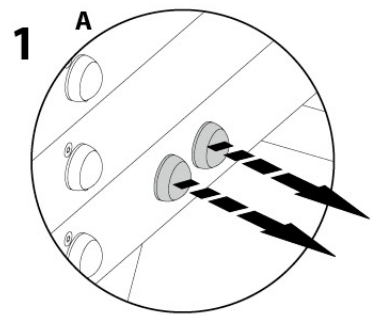
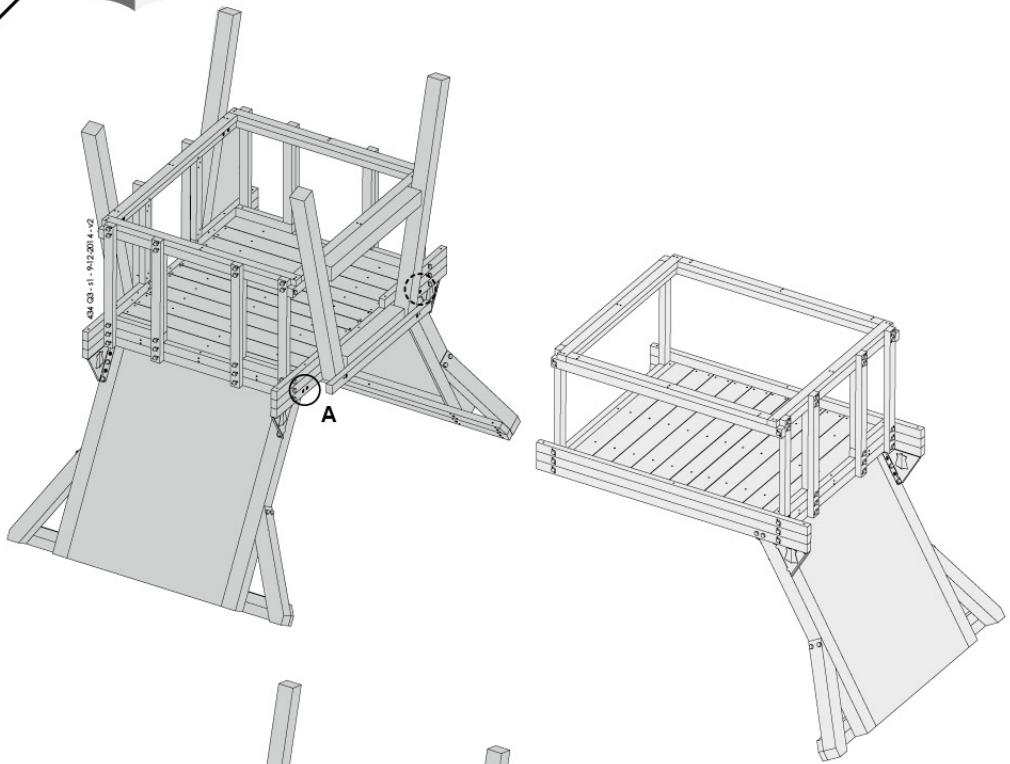


a = a



11.4a

Q3

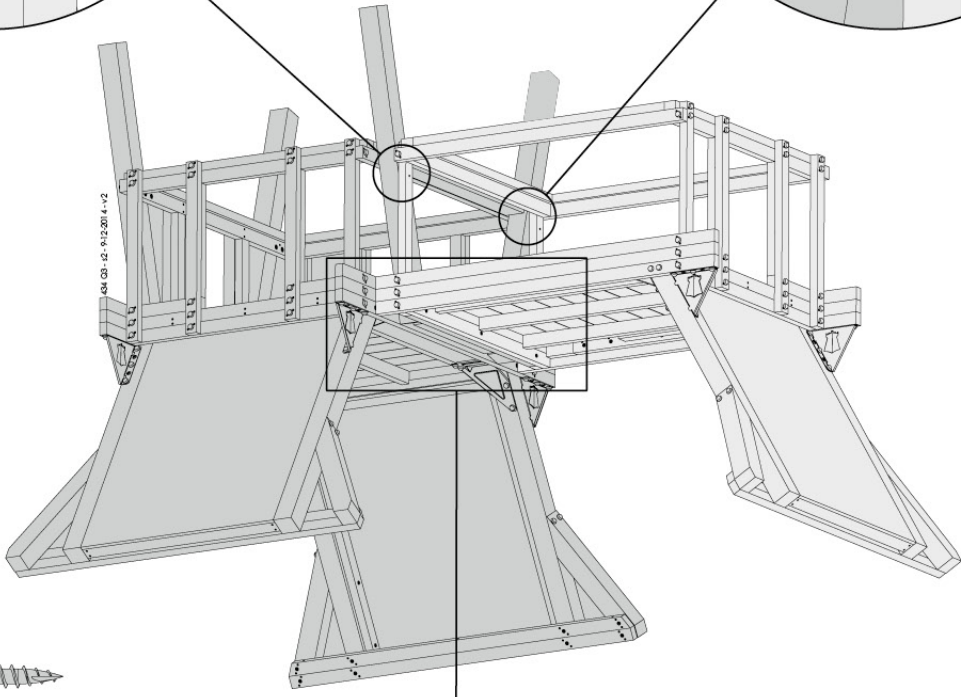
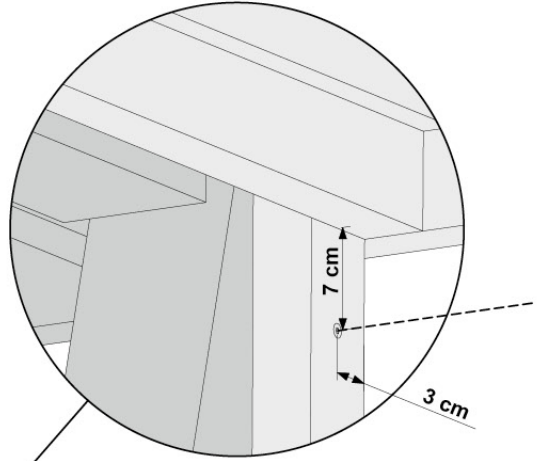
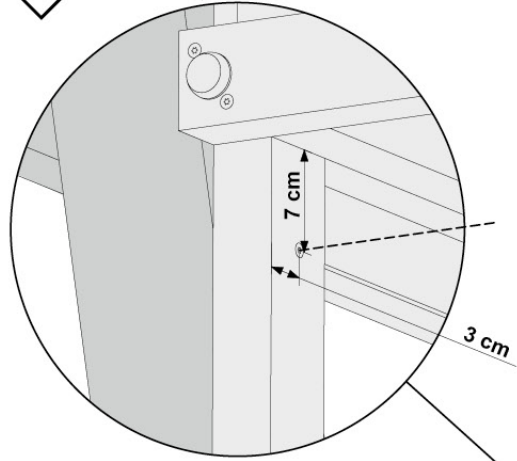




**11.4b**

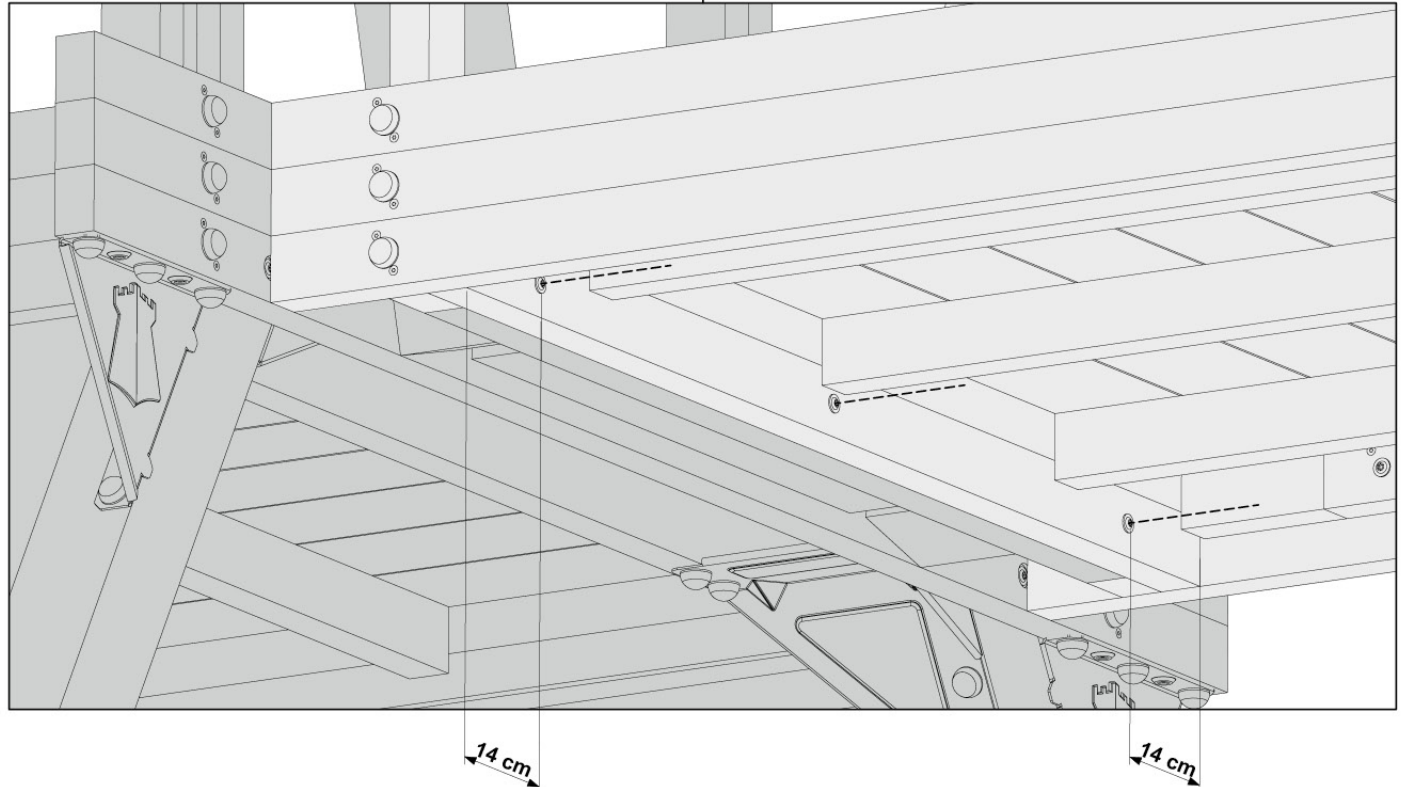
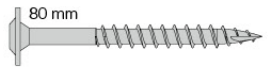


2x



**11.4c**

3x

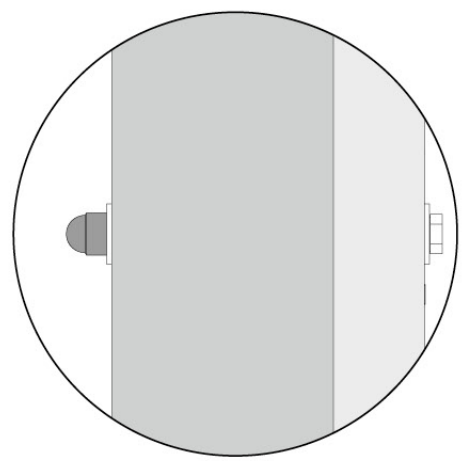
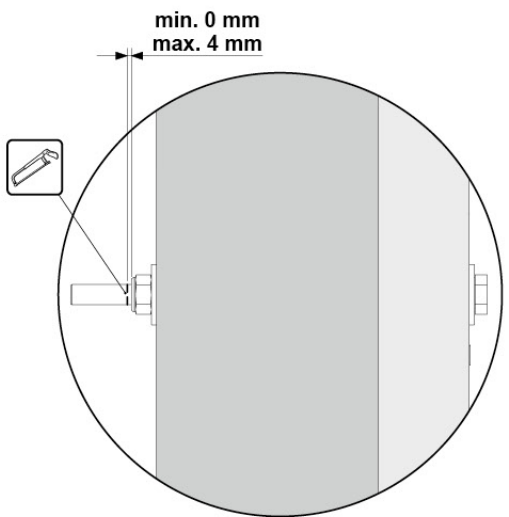
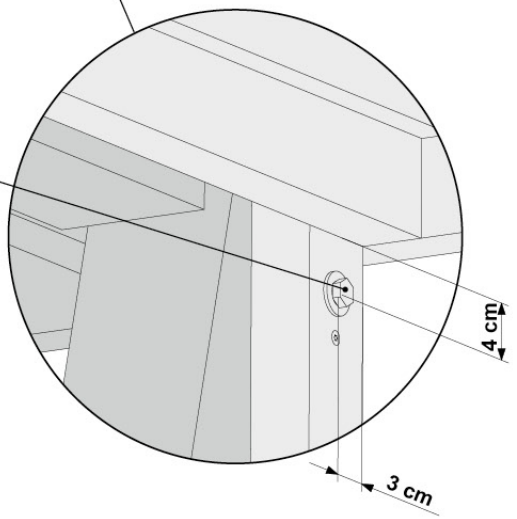
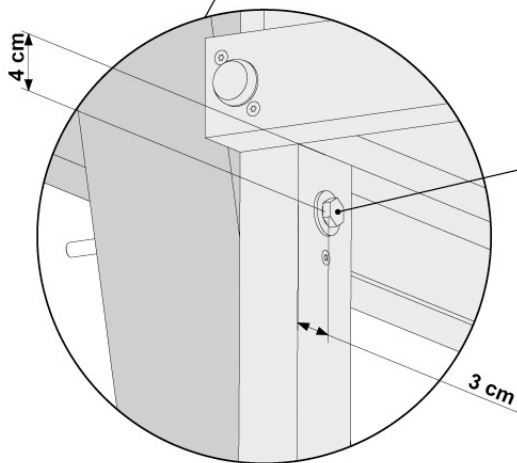
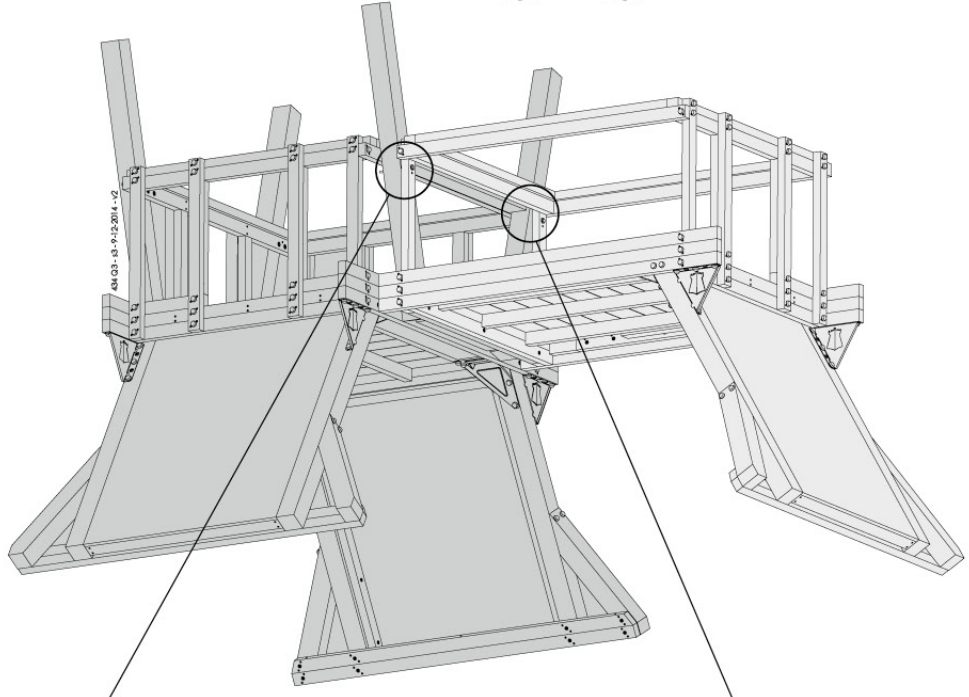




11.4d



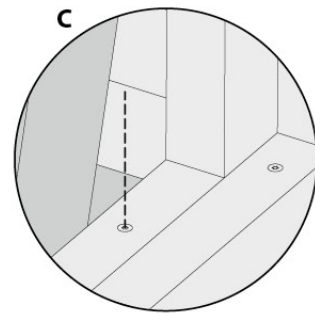
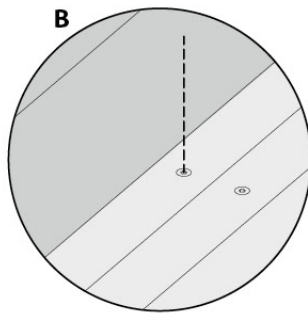
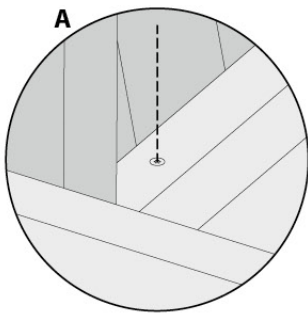
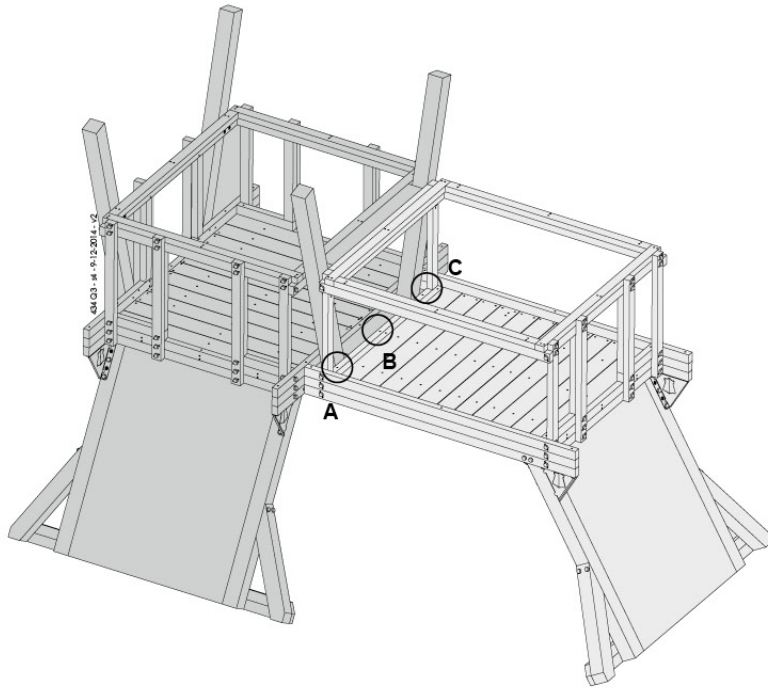
- 2x 180 mm
- ø30 mm
- ø30 mm
- M10
- M10
- ø11 mm



11.4e



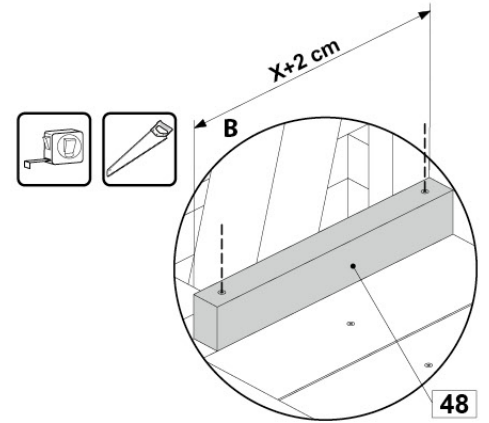
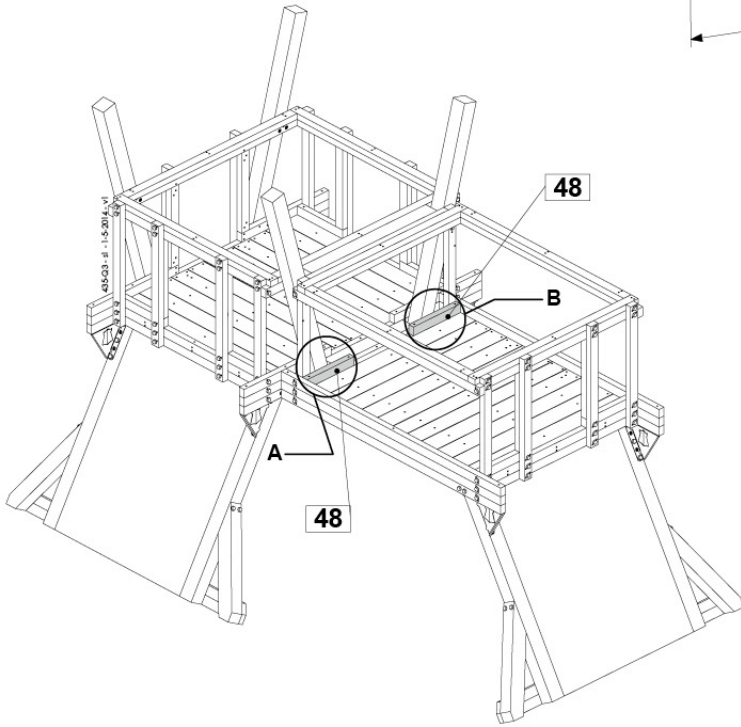
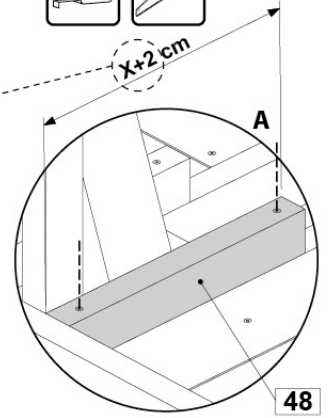
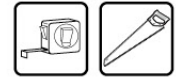
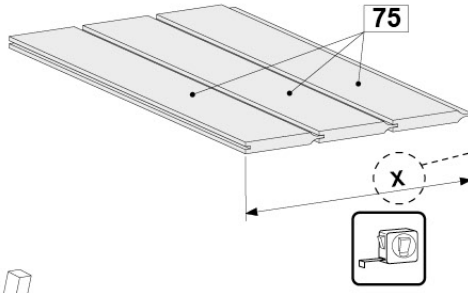
3x 100 mm

A 100 mm long screw with a Phillips head.

11.4f



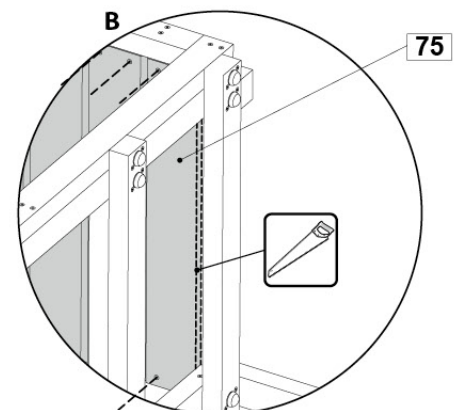
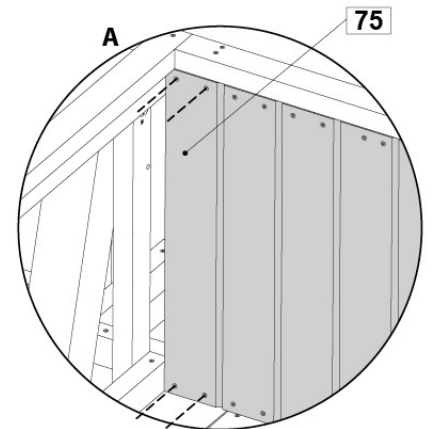
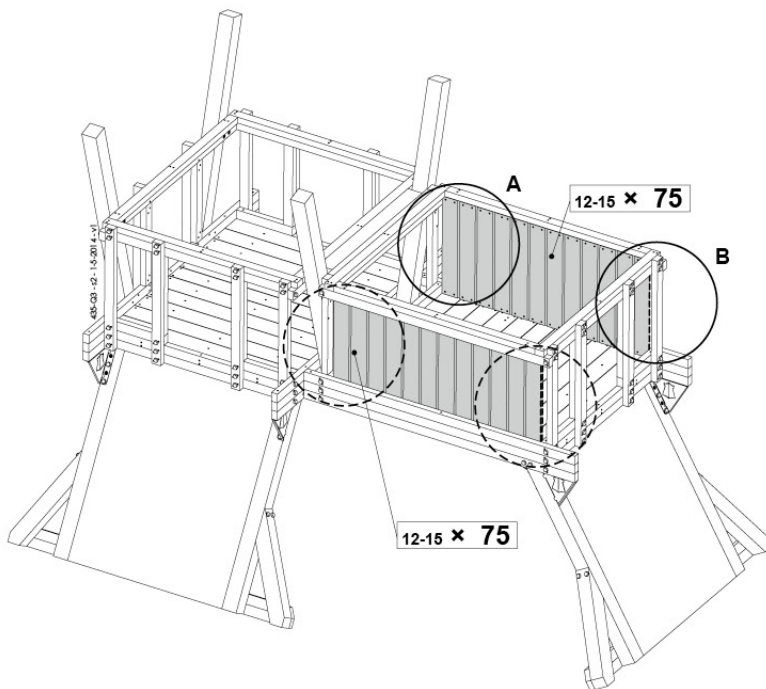
4x 100 mm



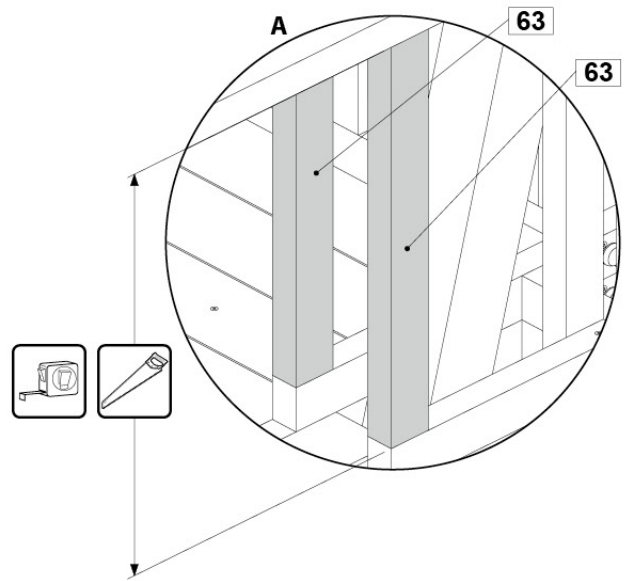
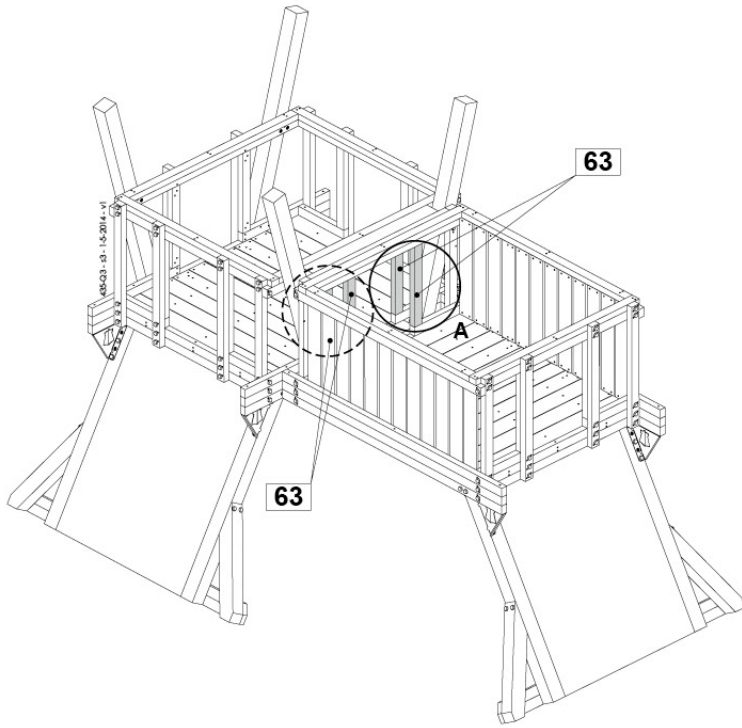
11.4g



96 - 120x 45 mm



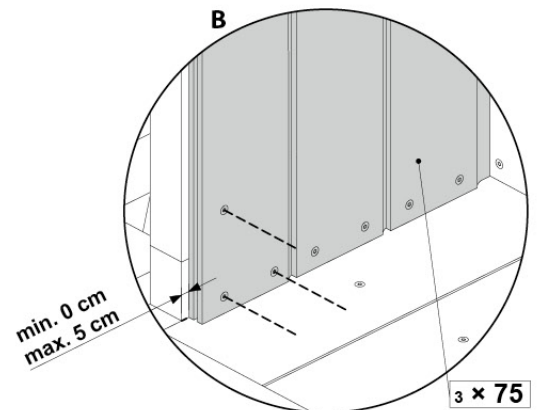
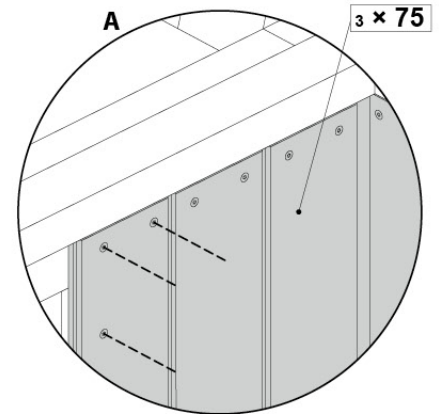
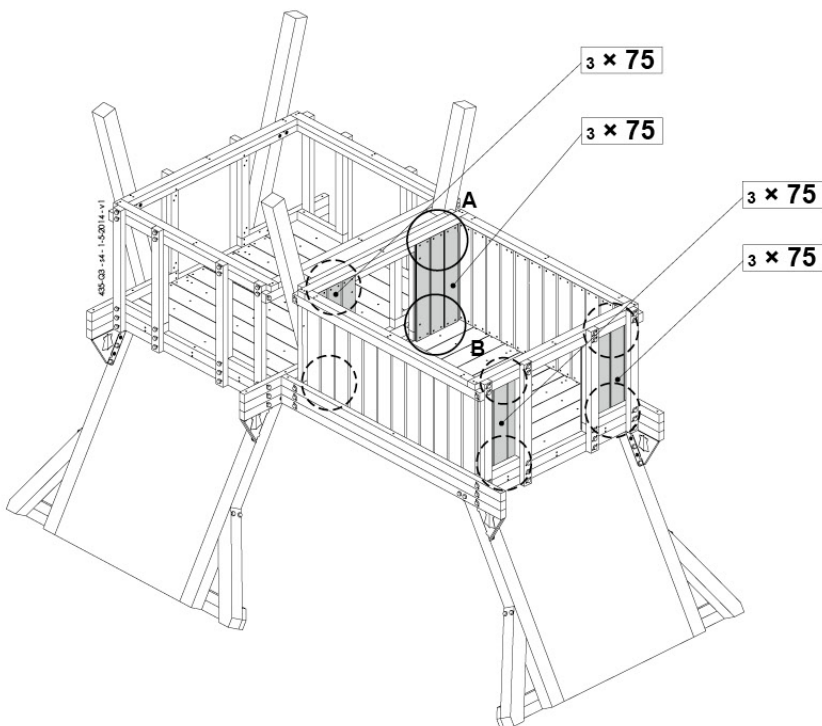
11.4h



11.4i



56x 45 mm



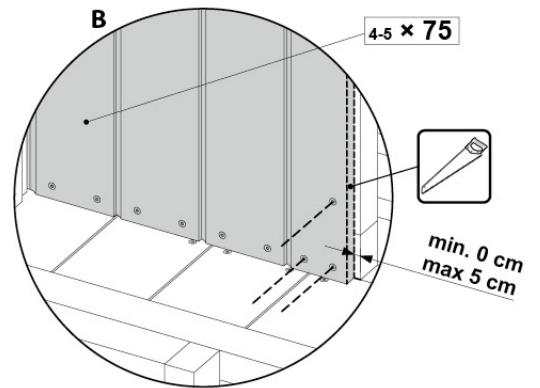
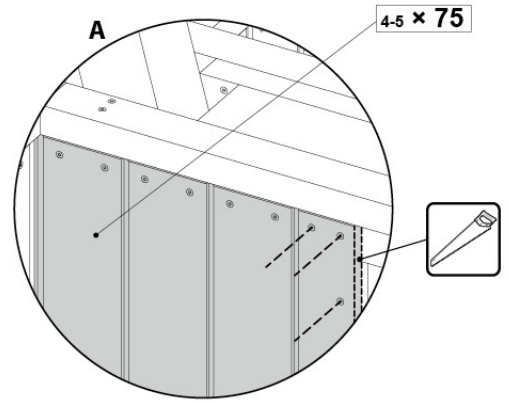
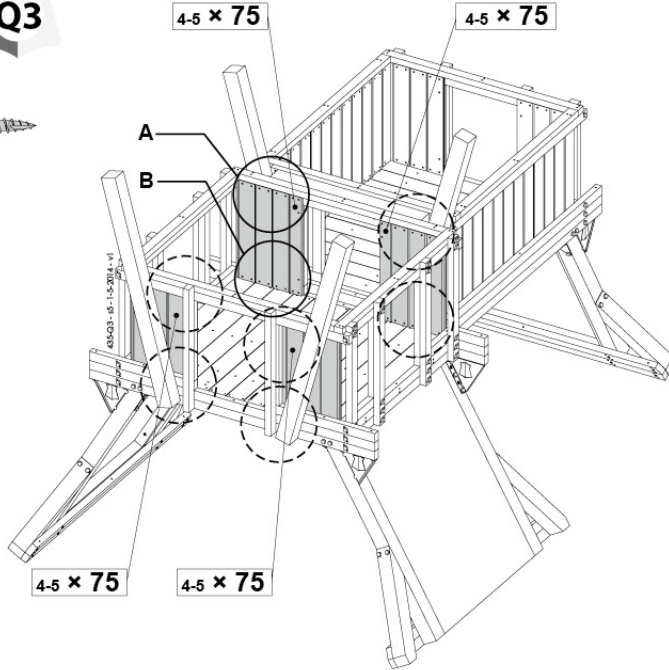


# 11.4j



72 - 88x

45 mm

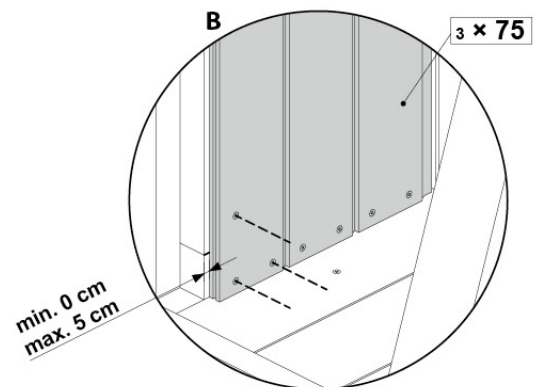
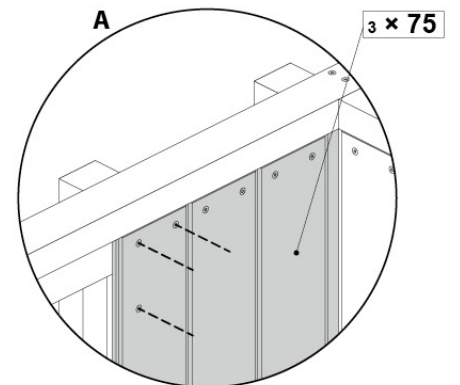
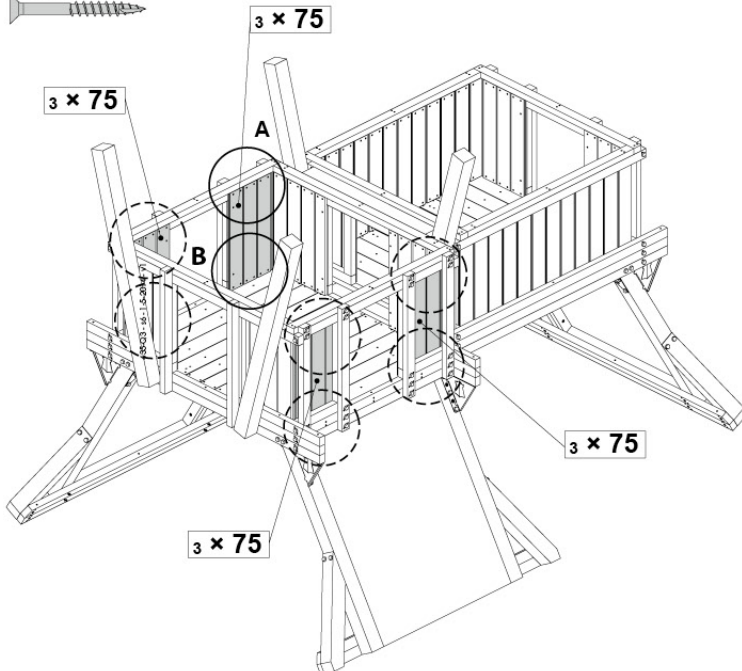


# 11.4k

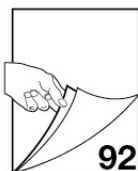
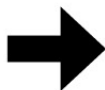


56x

45 mm

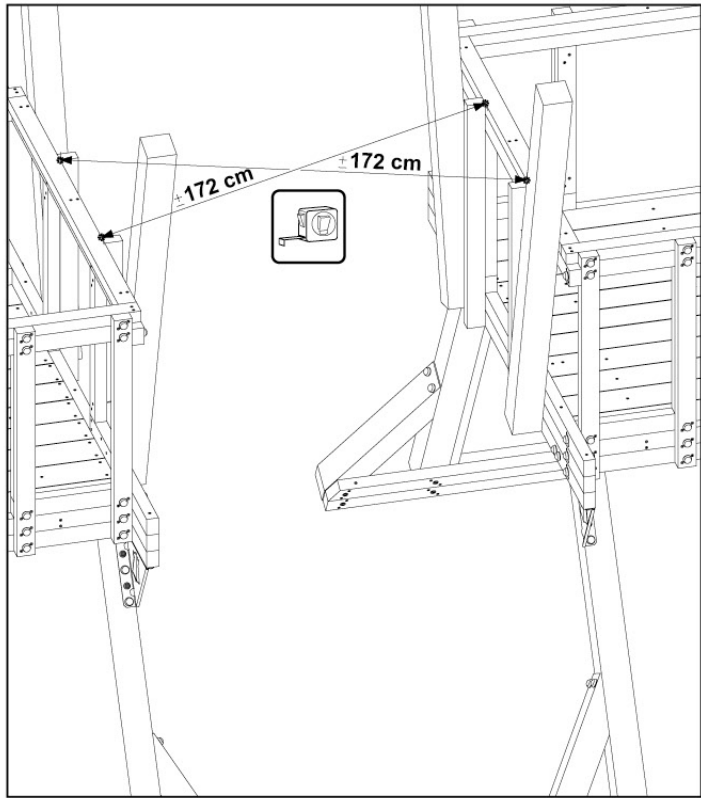
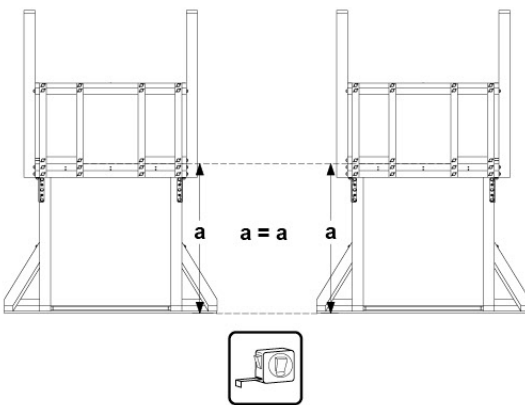
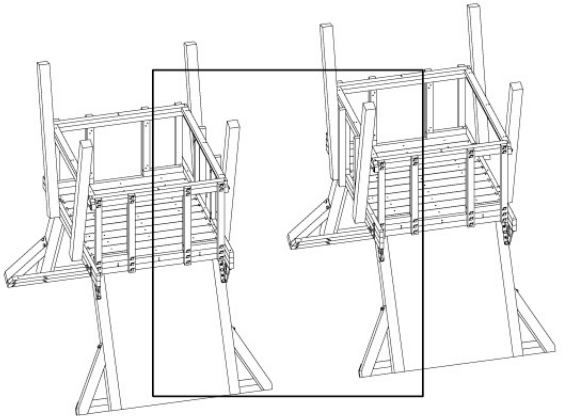


# 11.4L

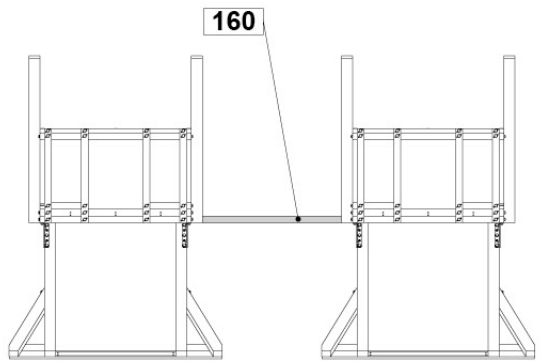
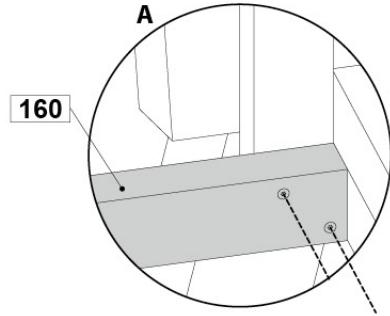
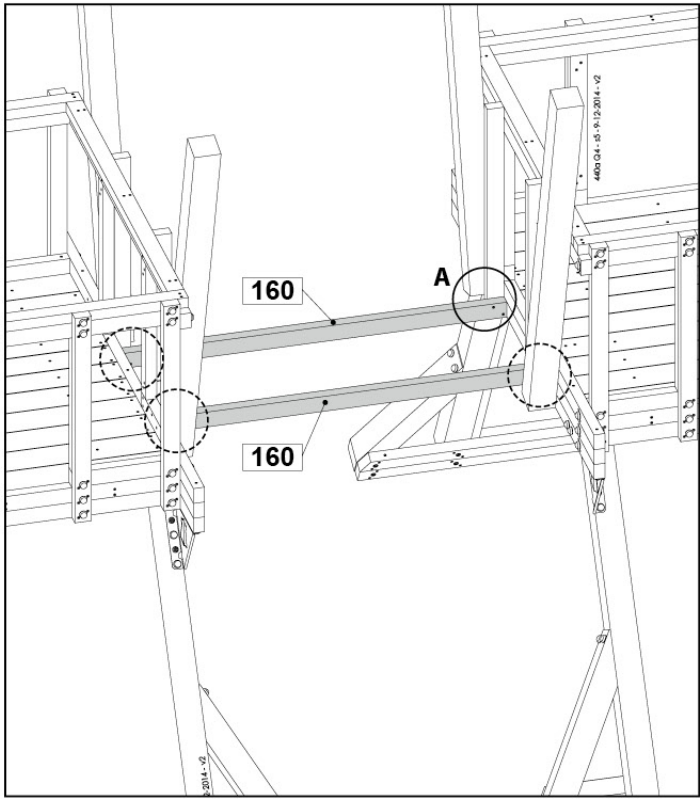


# 13

12.1a



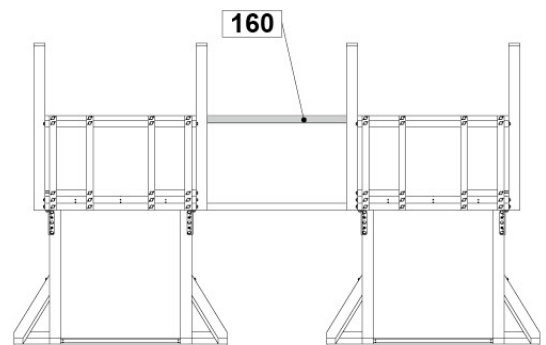
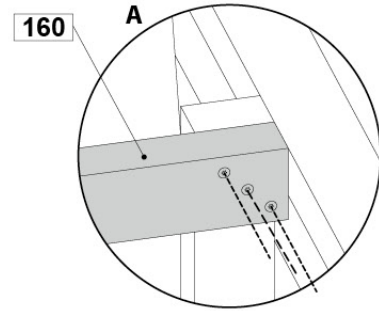
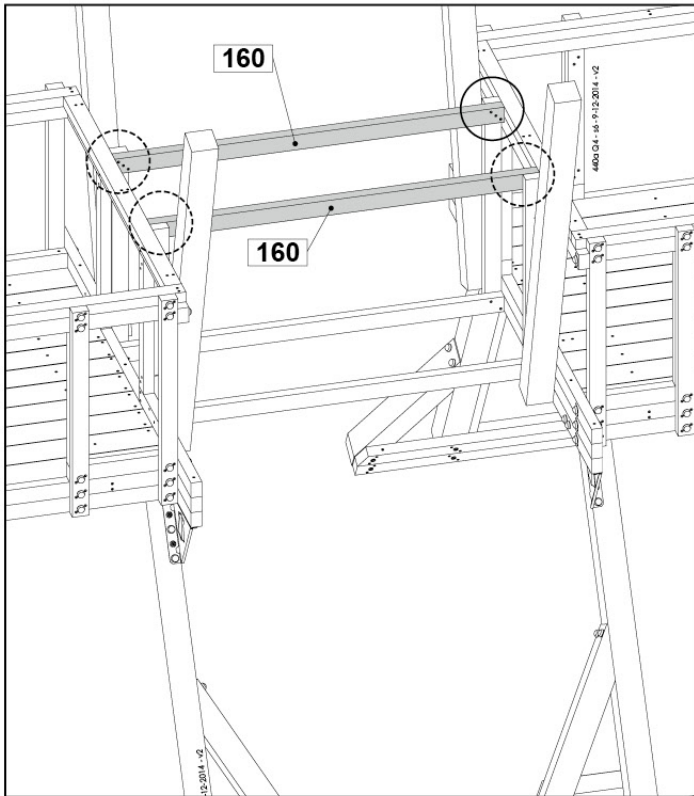
12.1b



# 12.1c



12x



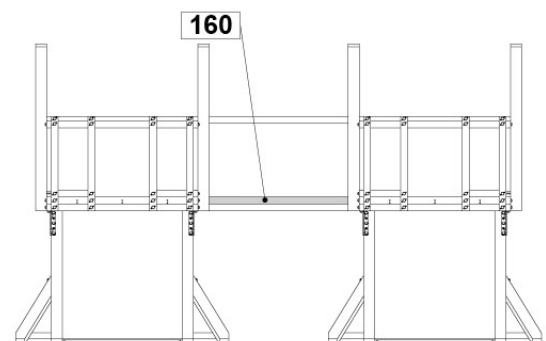
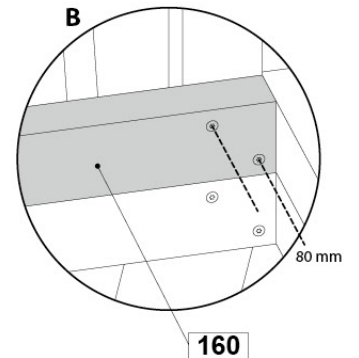
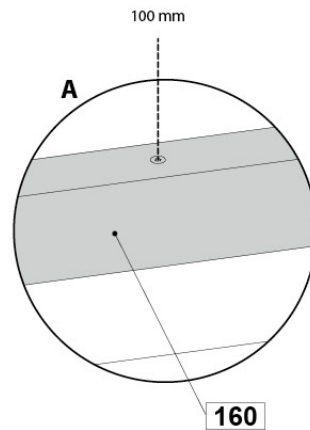
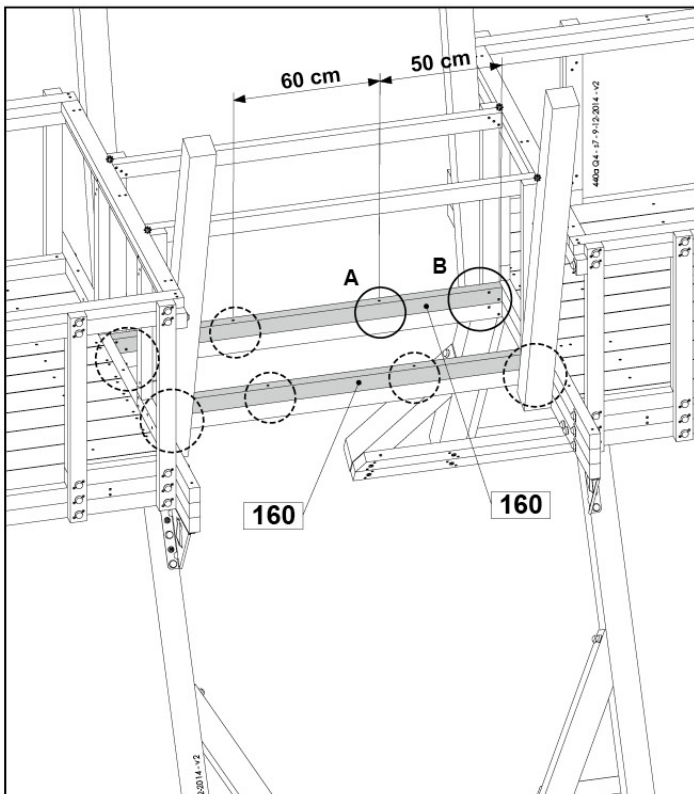
# 12.1d



4x



8x

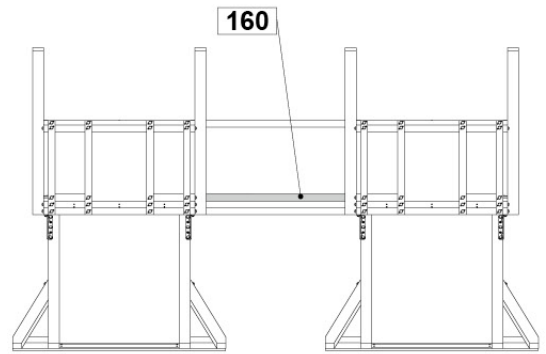
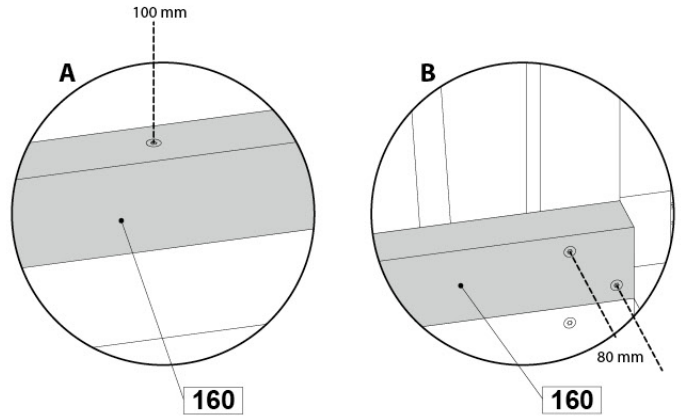
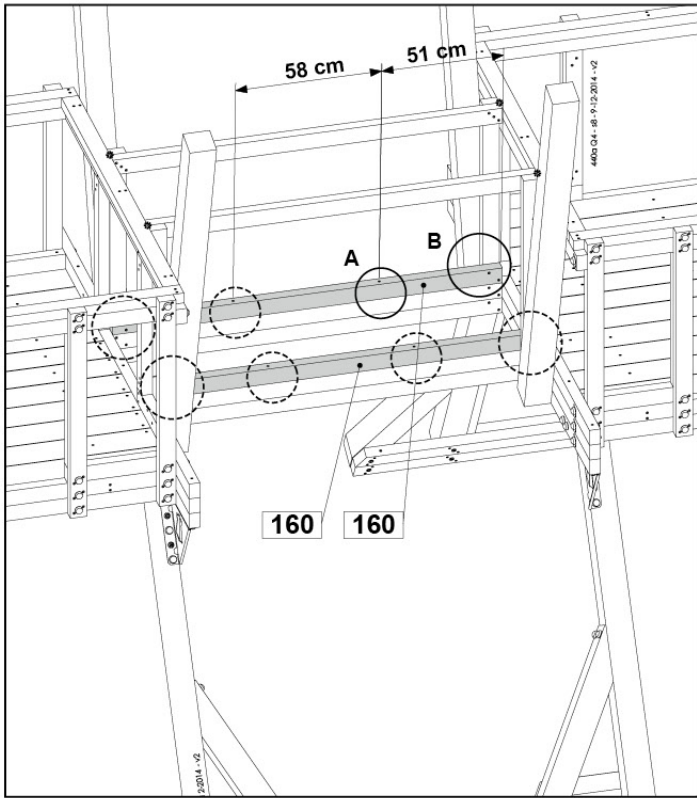


# 12.1e



4x 100 mm

8x 80 mm

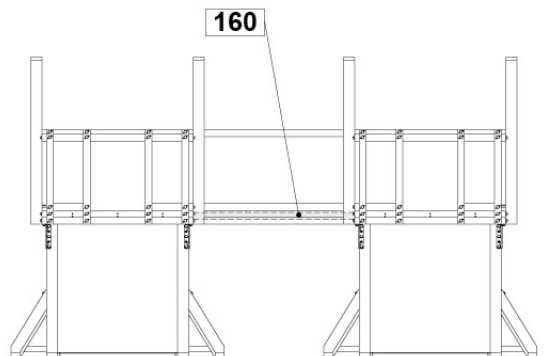
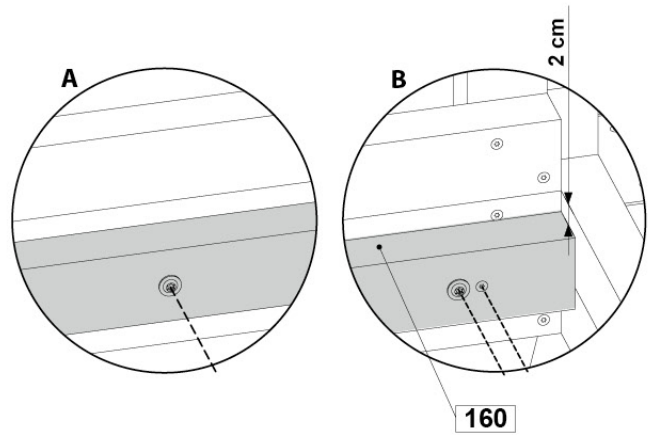
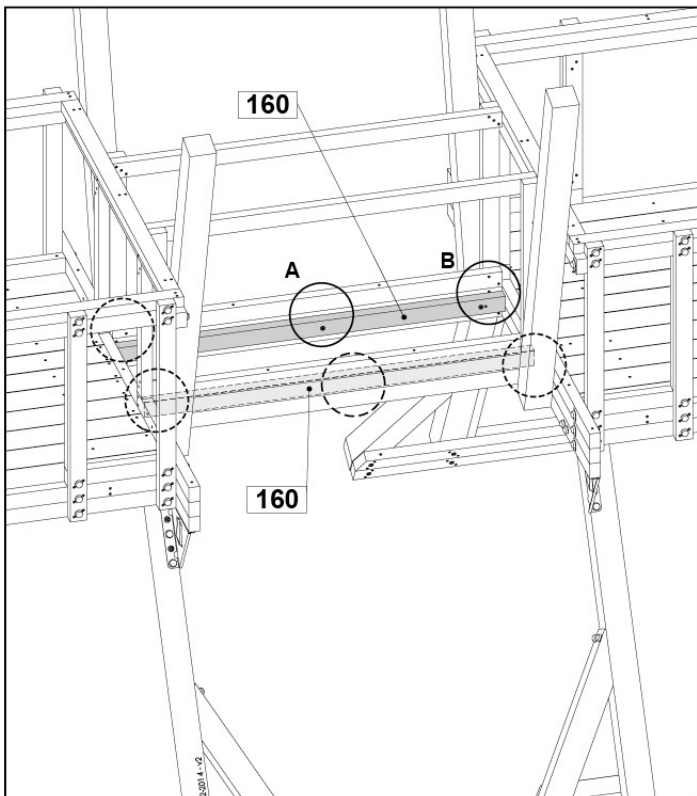


# 12.1f



6x 80 mm

4x 80 mm



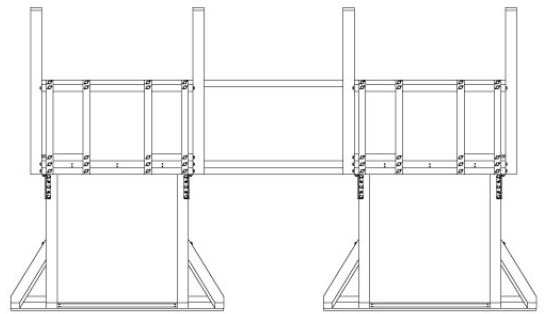
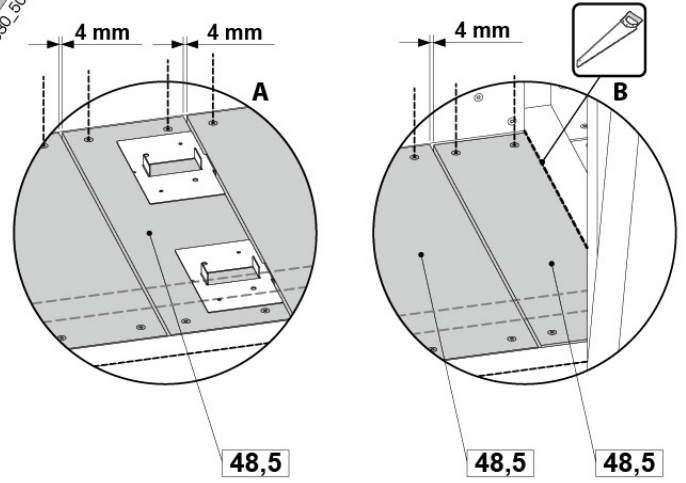
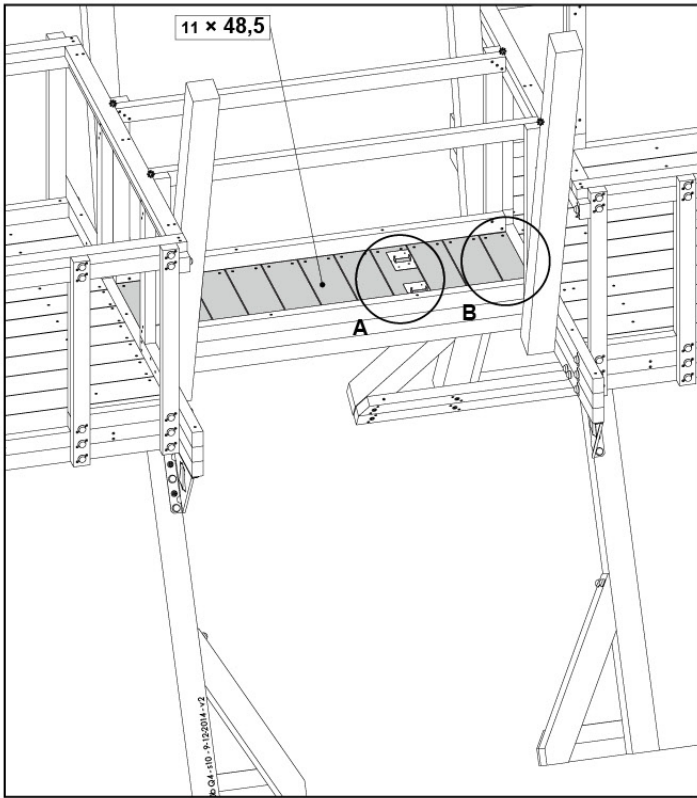
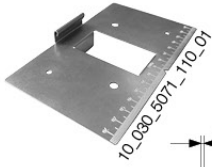


# 12.1g



44x 45 mm

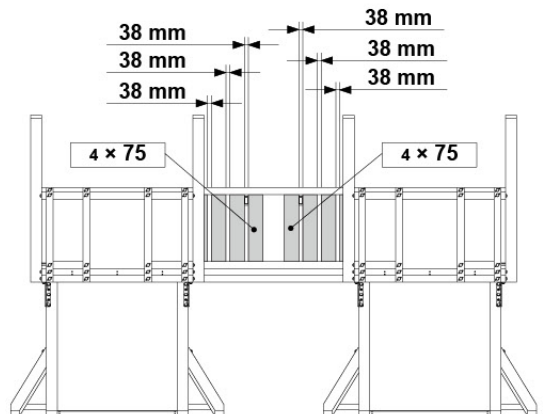
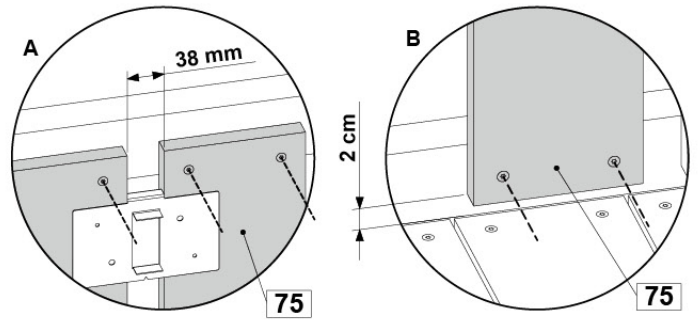
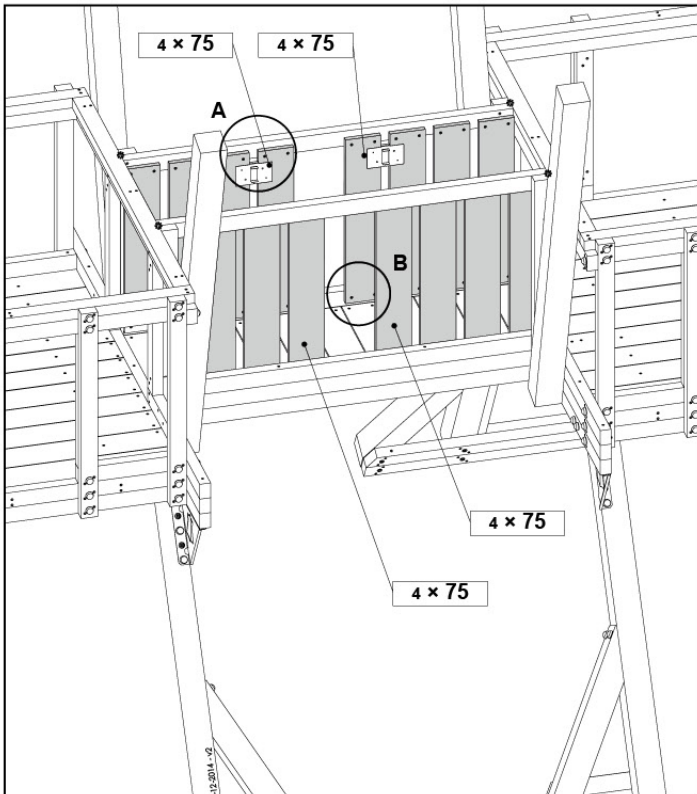
2x



# 12.1h



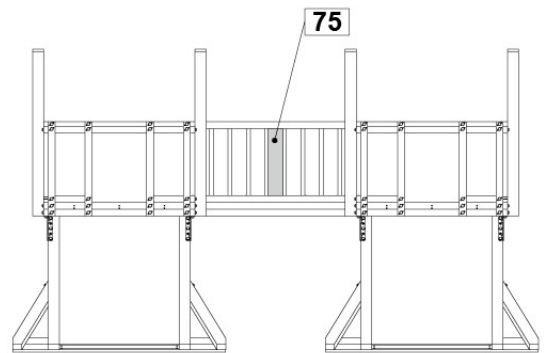
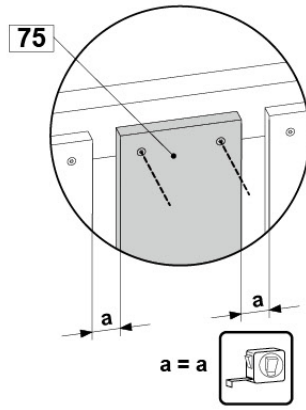
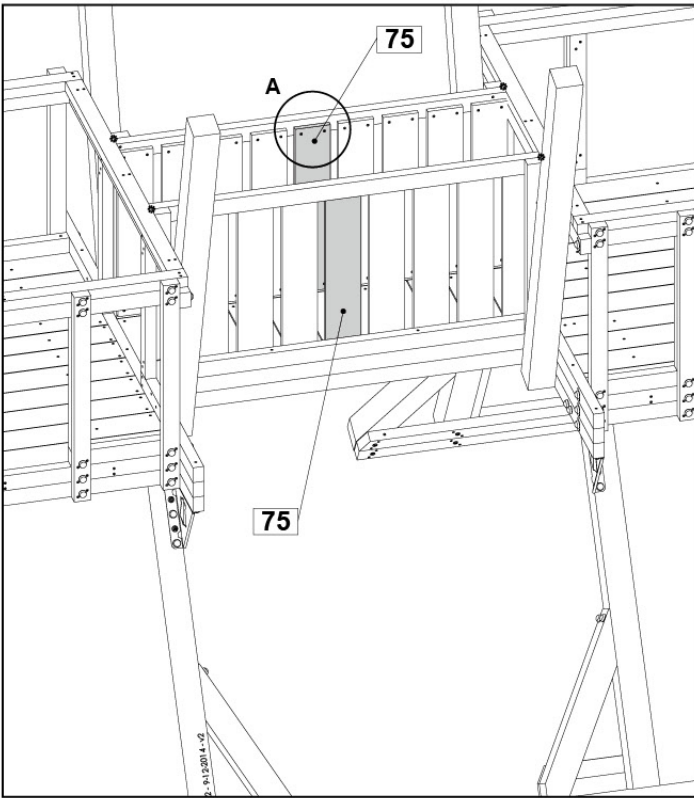
64x 45 mm



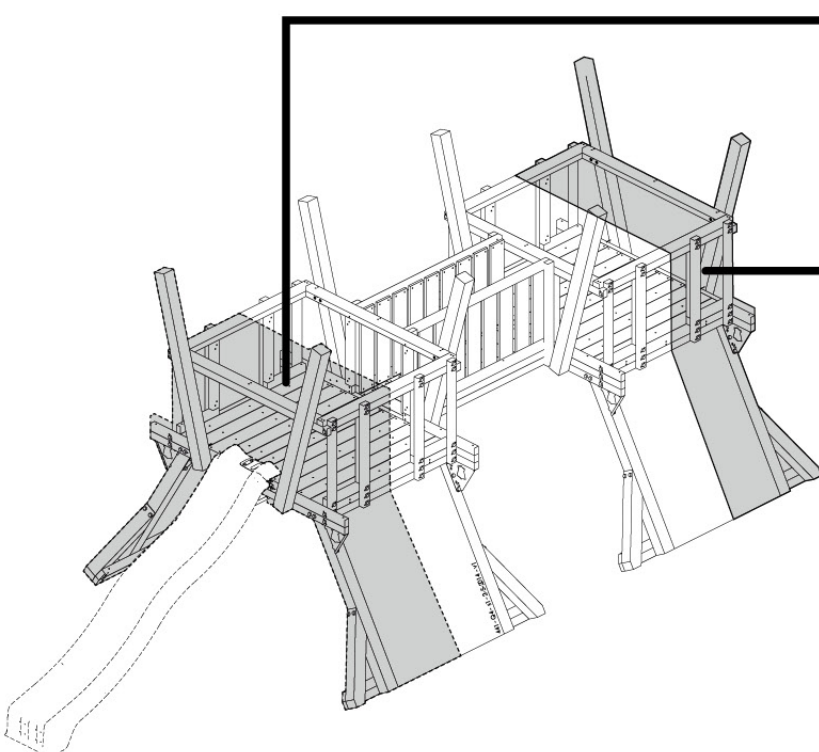
12.1i



8x 45 mm



12.2a



12.2b 12.2c 12.2d 12.2e

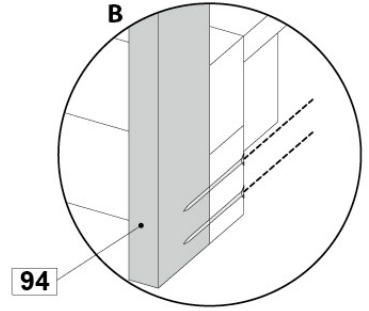
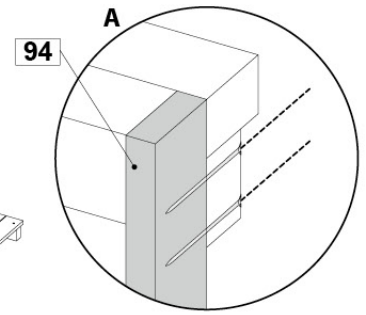
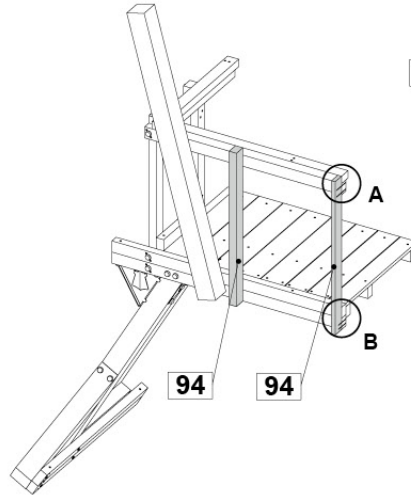
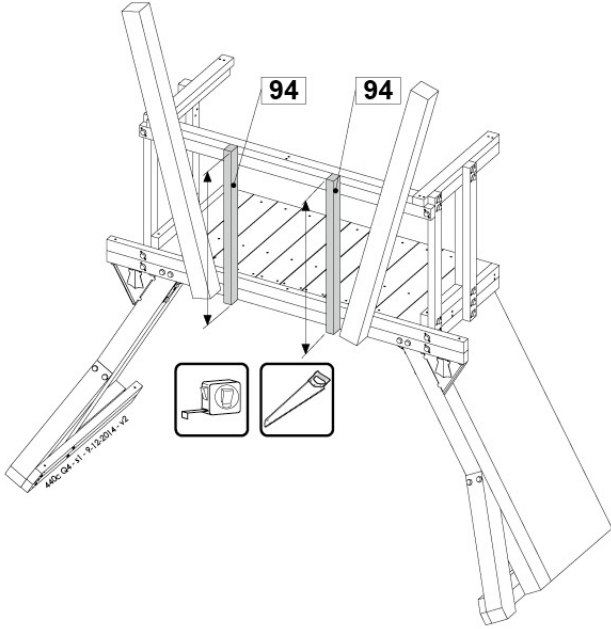


12.2f 12.2g

# 12.2b



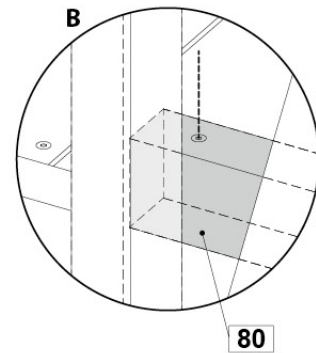
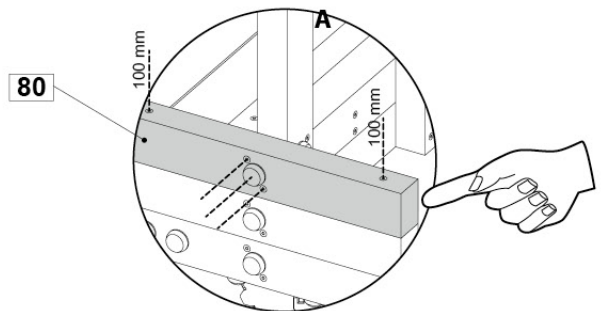
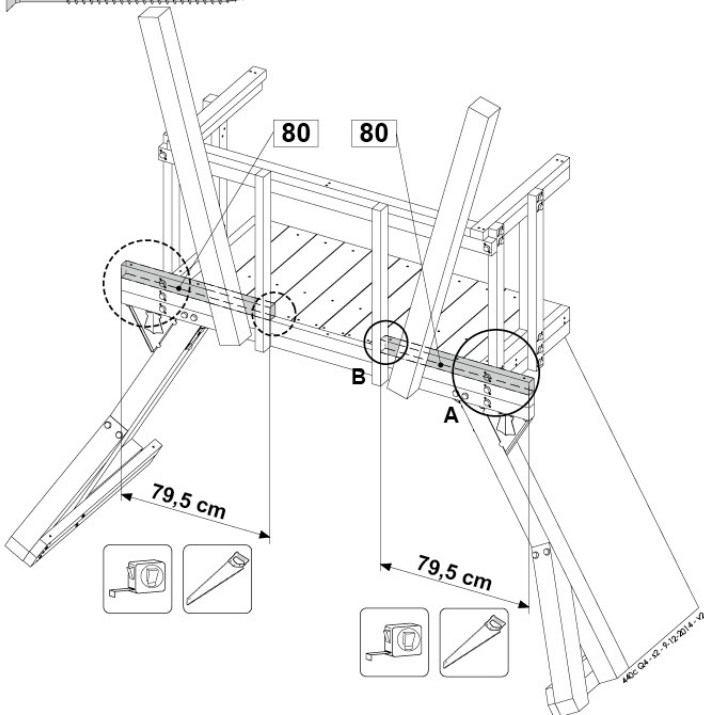
8x 80 mm



# 12.2c



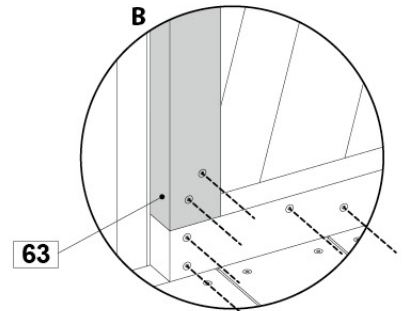
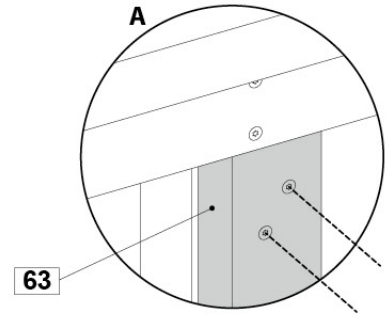
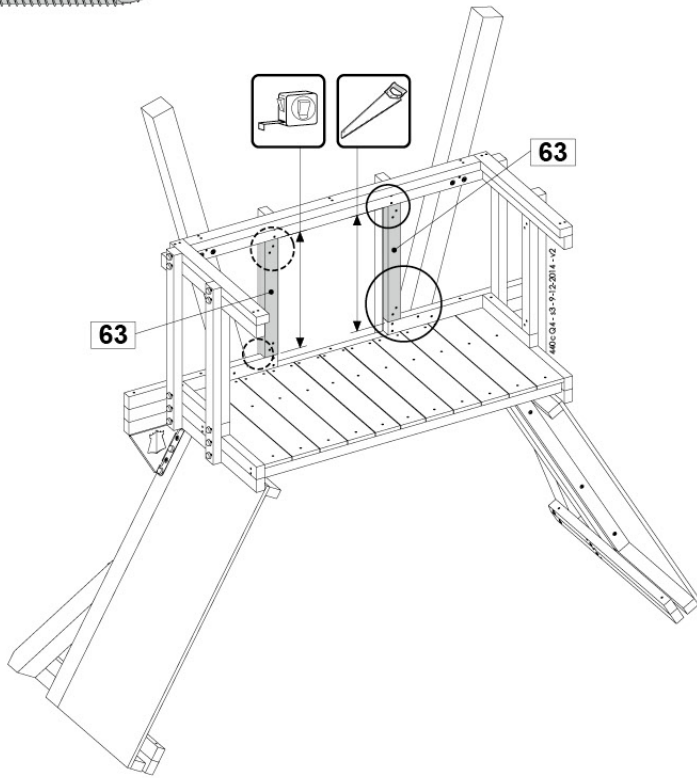
2x 80 mm  
 6x 100 mm  
 4x 80 mm



# 12.2d



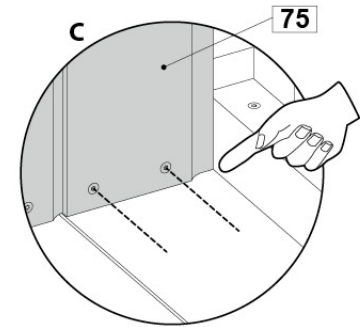
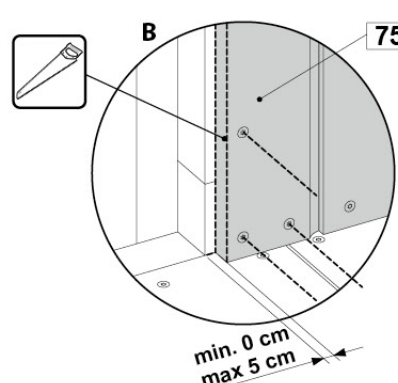
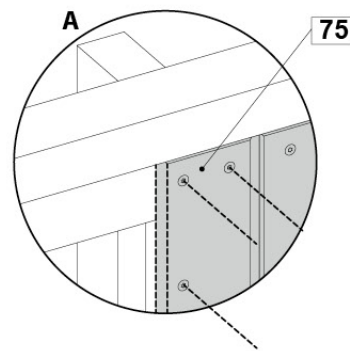
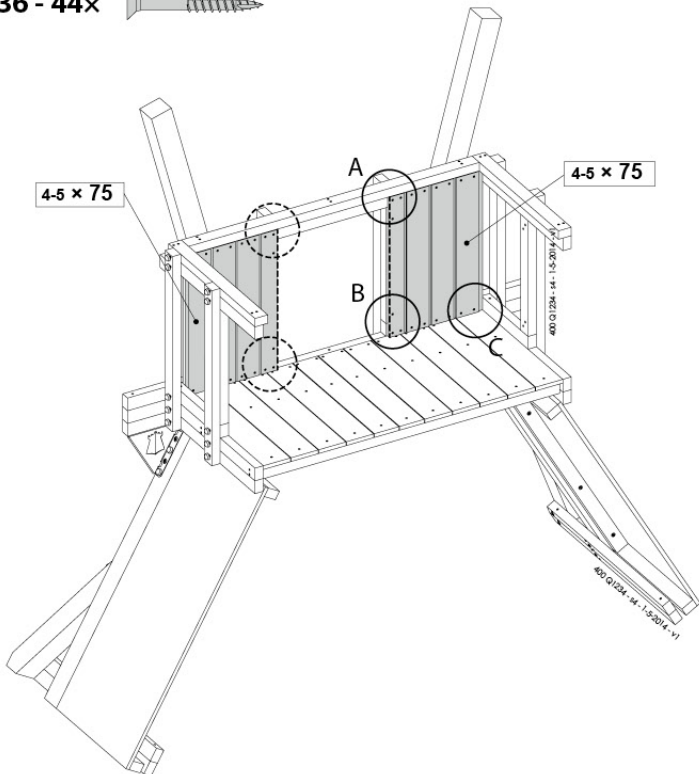
16x 80 mm



# 12.2e



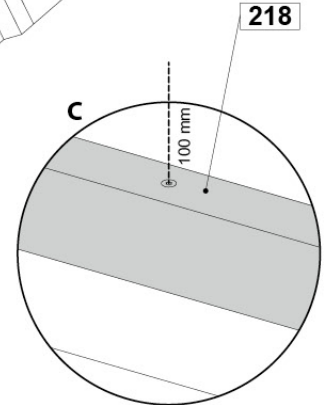
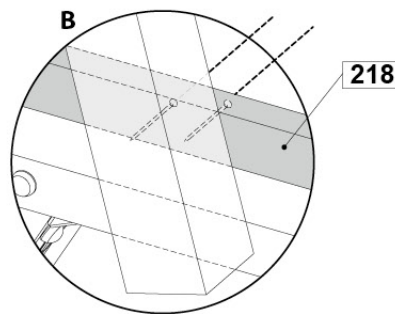
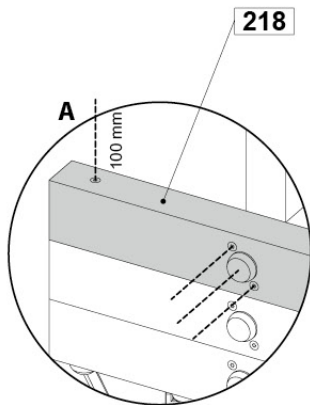
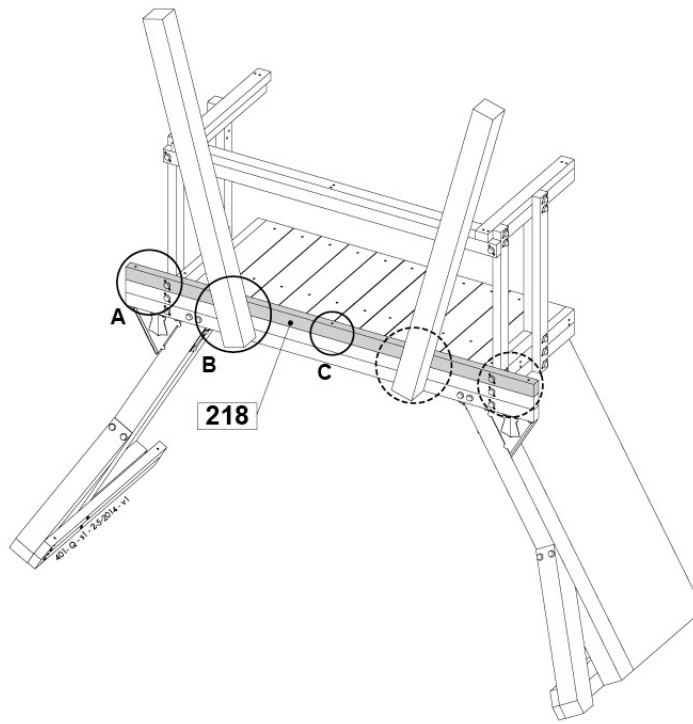
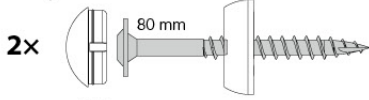
36 - 44x 45 mm



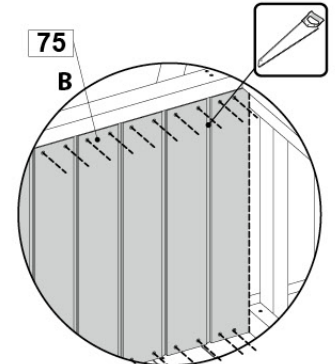
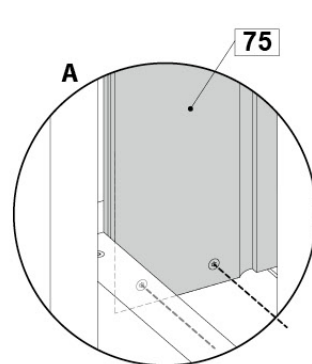
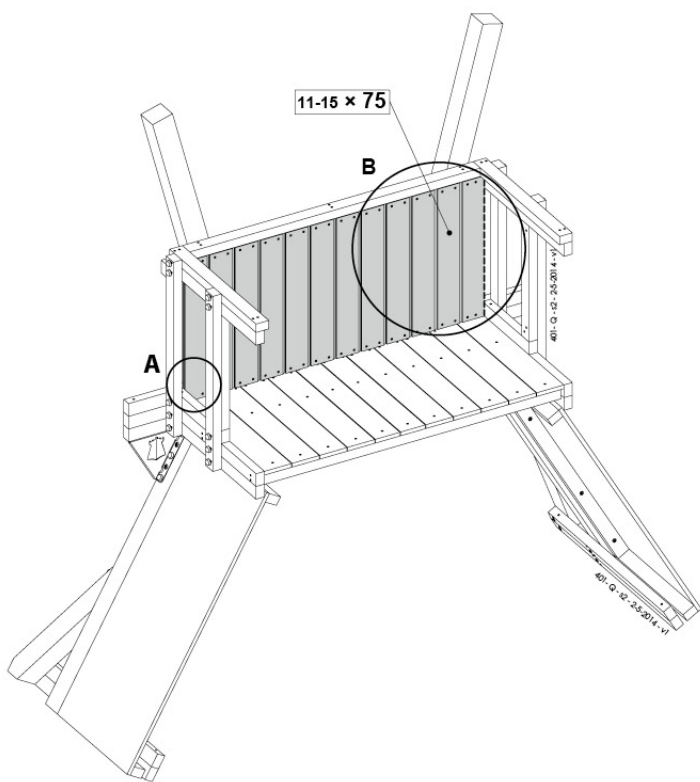
min. 0 cm  
max 5 cm



**12.2f**



**12.2g**



12.2h



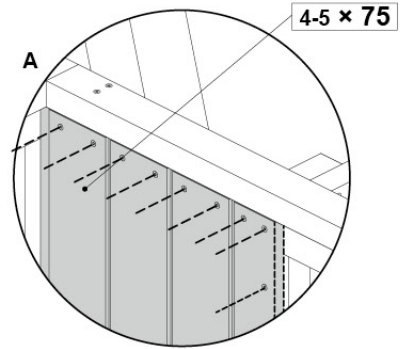
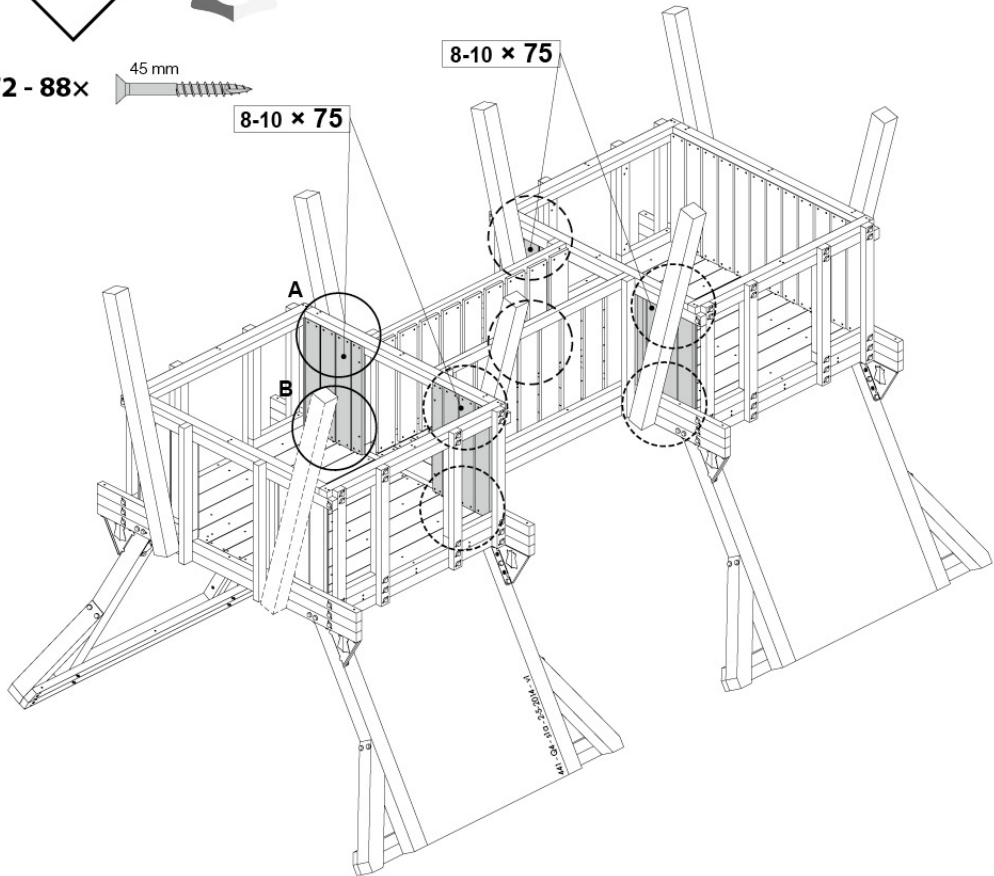
72 - 88x

45 mm

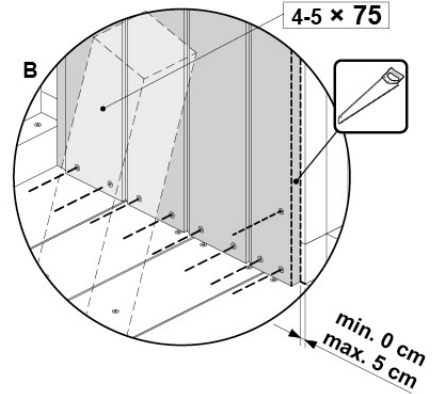


8-10 x 75

8-10 x 75



4-5 x 75



4-5 x 75

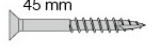
min. 0 cm  
max. 5 cm

12.2i



112x

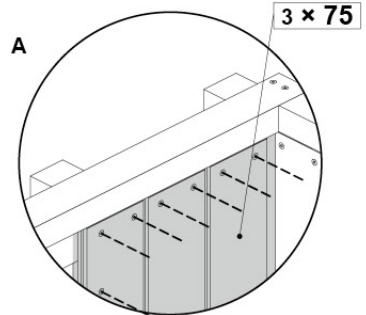
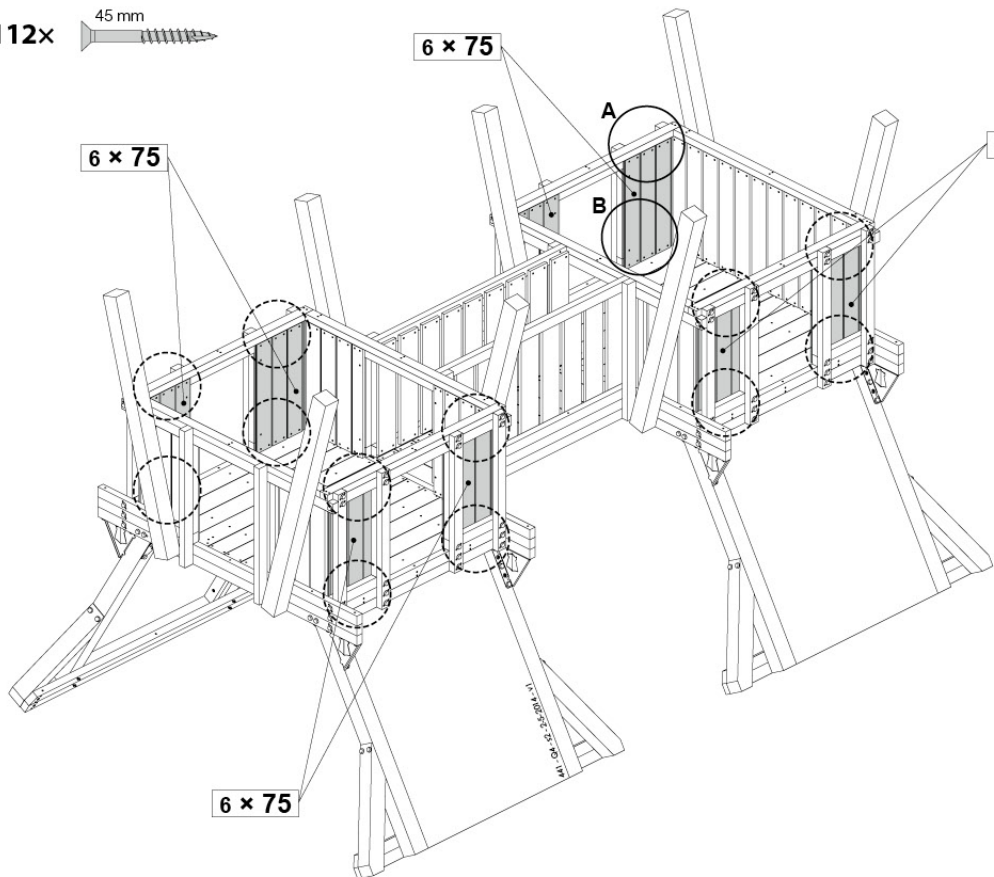
45 mm



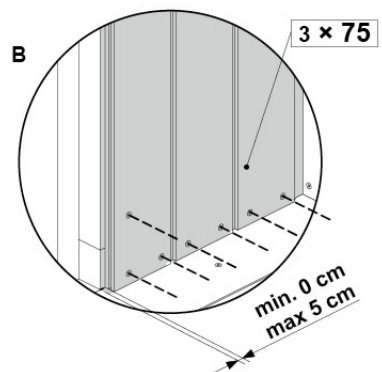
6 x 75

6 x 75

6 x 75



3 x 75

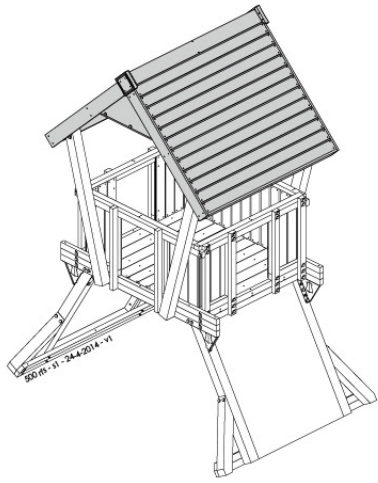


3 x 75

min. 0 cm  
max. 5 cm

13

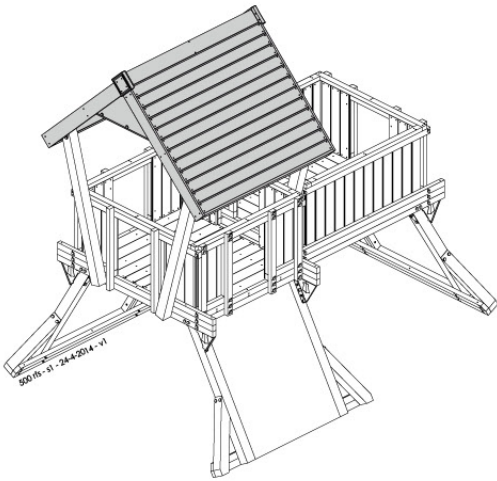
Q2



13a

13r

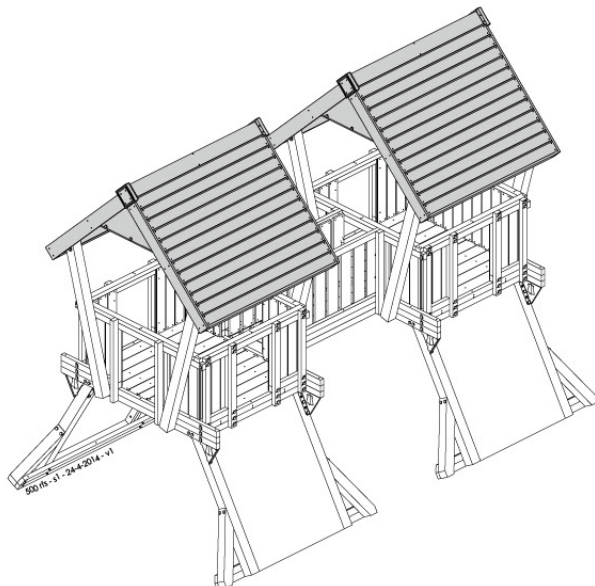
Q3



13a

13r

Q4



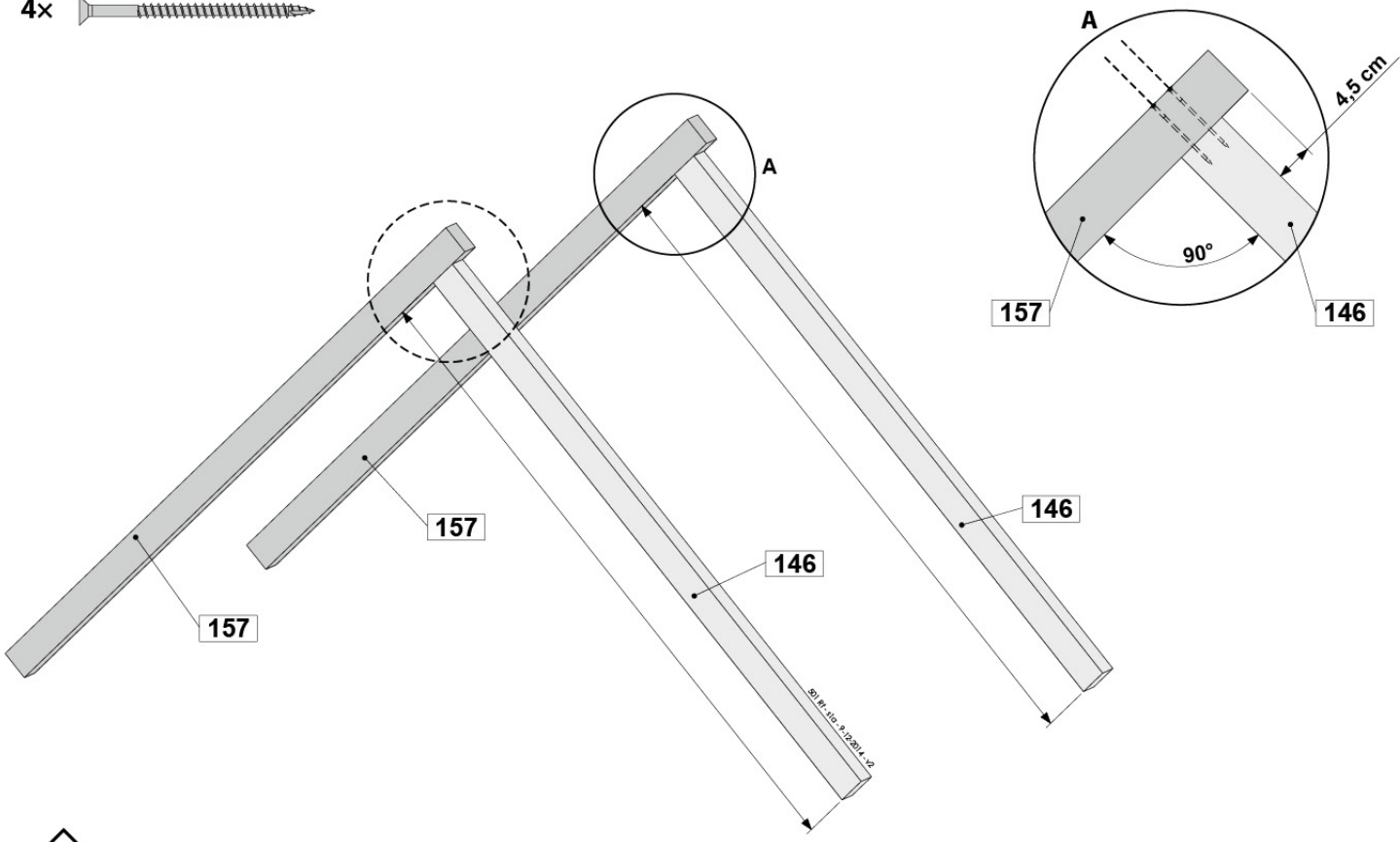
13a

13r

2x

**13a**

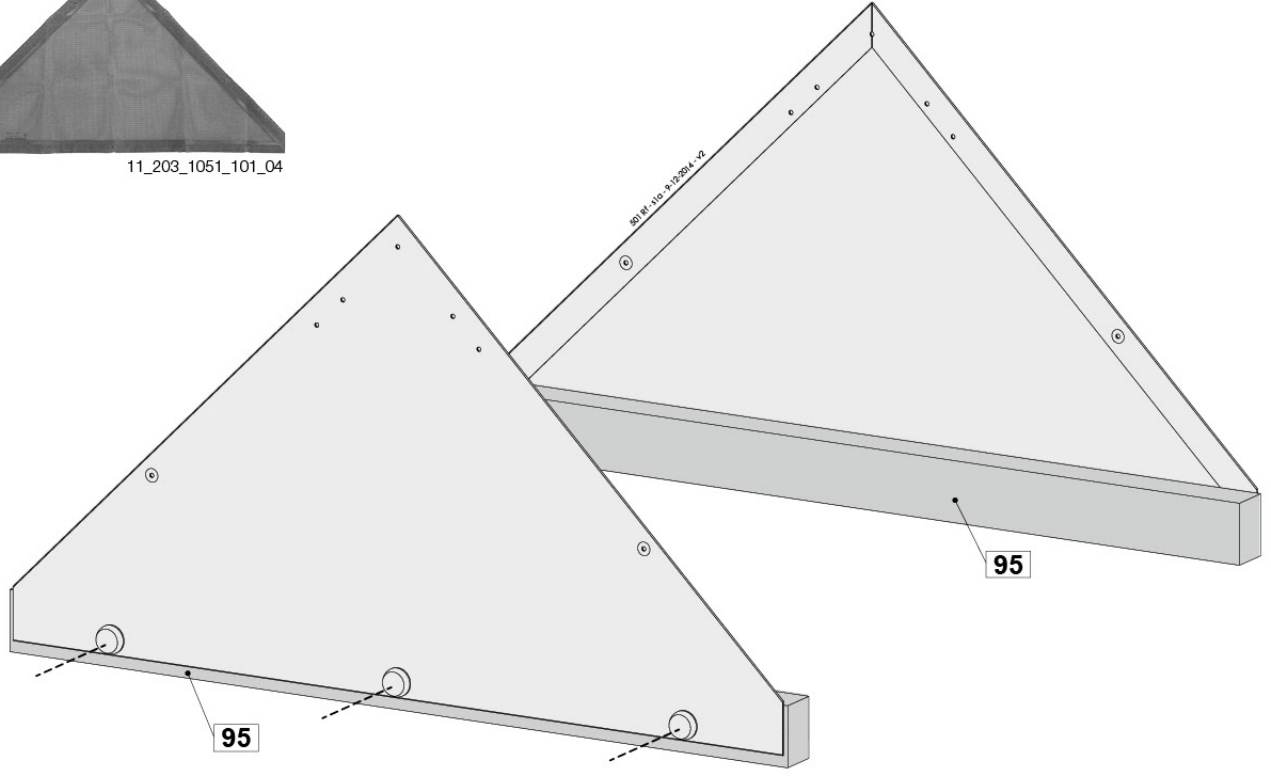
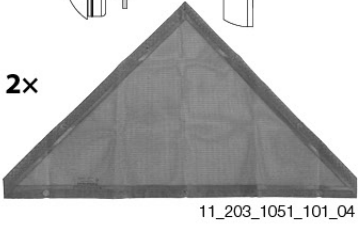
4x 80 mm



**13b**

6x 20 mm

2x

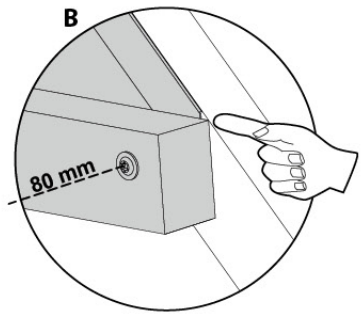
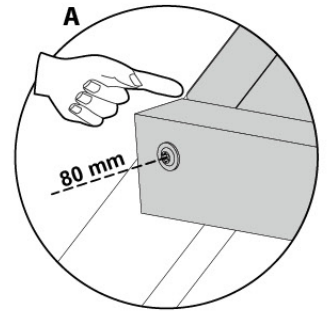
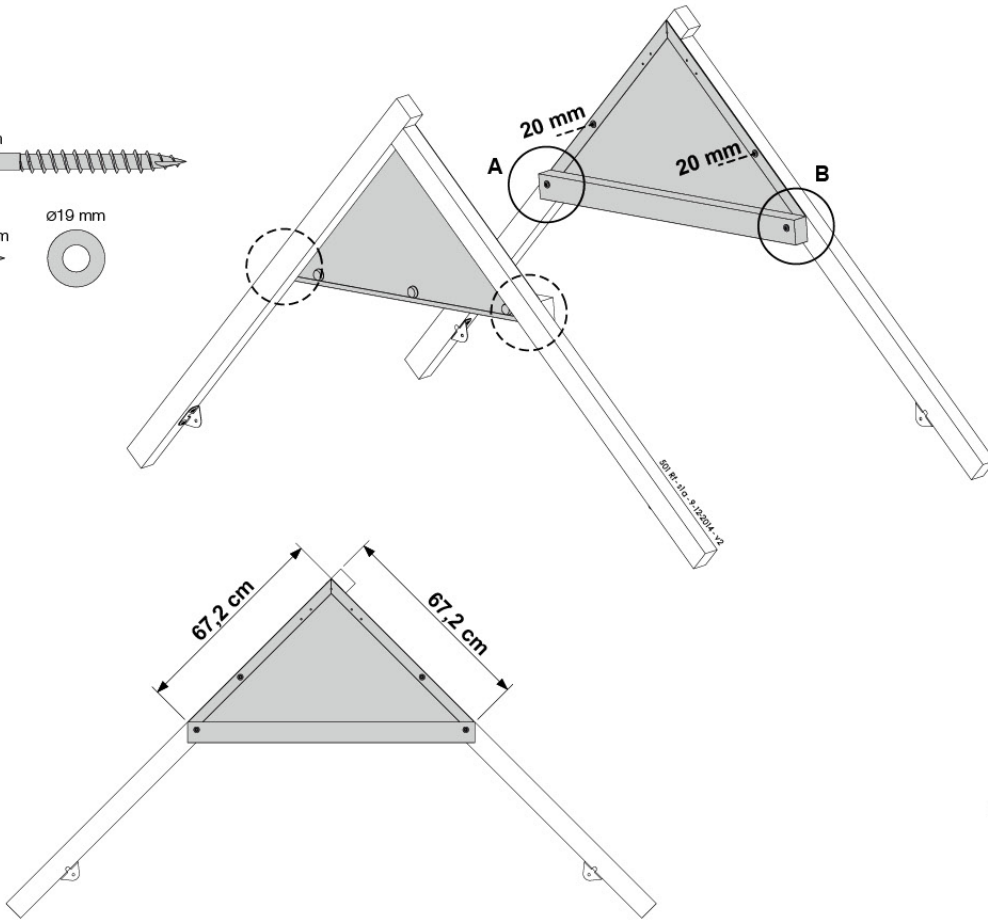




# 13c

4x 80 mm

4x 20 mm  $\varnothing 19$  mm



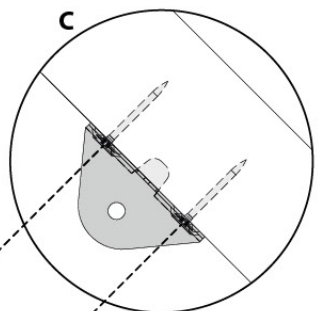
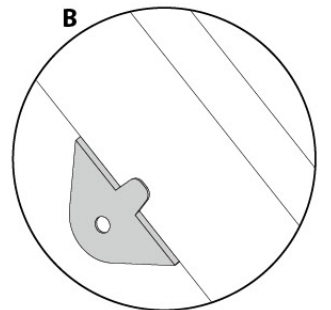
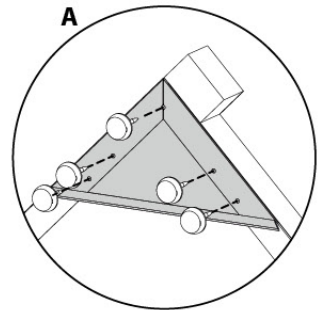
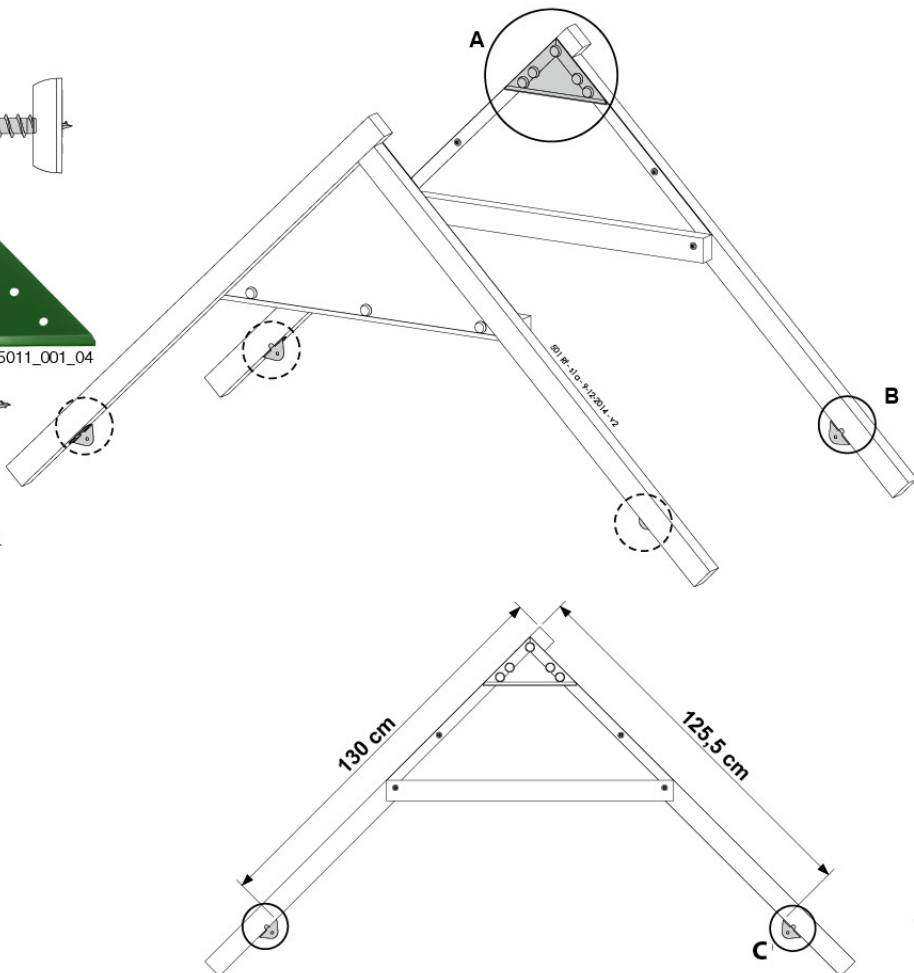
# 13d

10x 45 mm

2x 10\_030\_5011\_001\_04

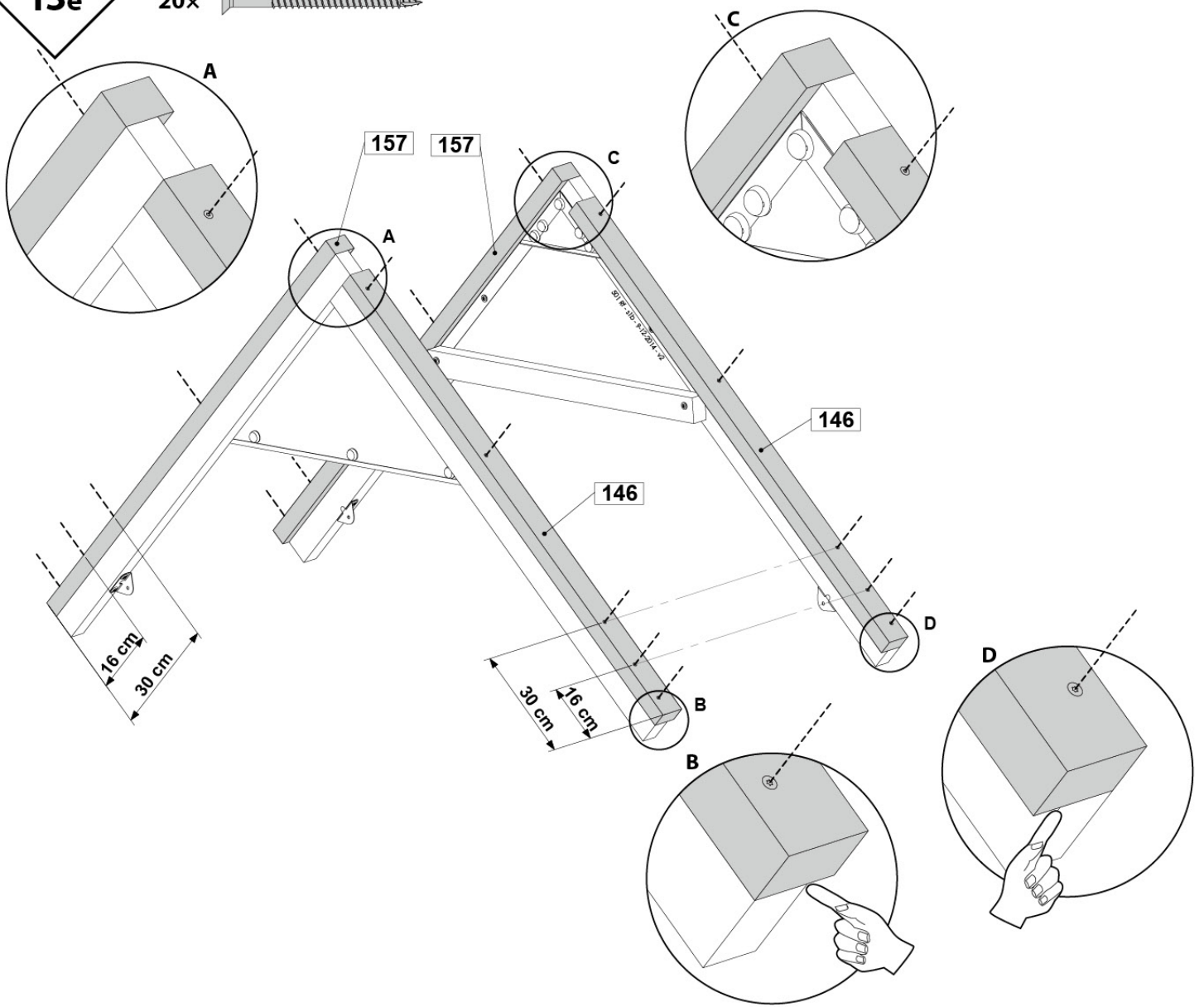
8x 45 mm

4x 10\_030\_5010\_000\_04

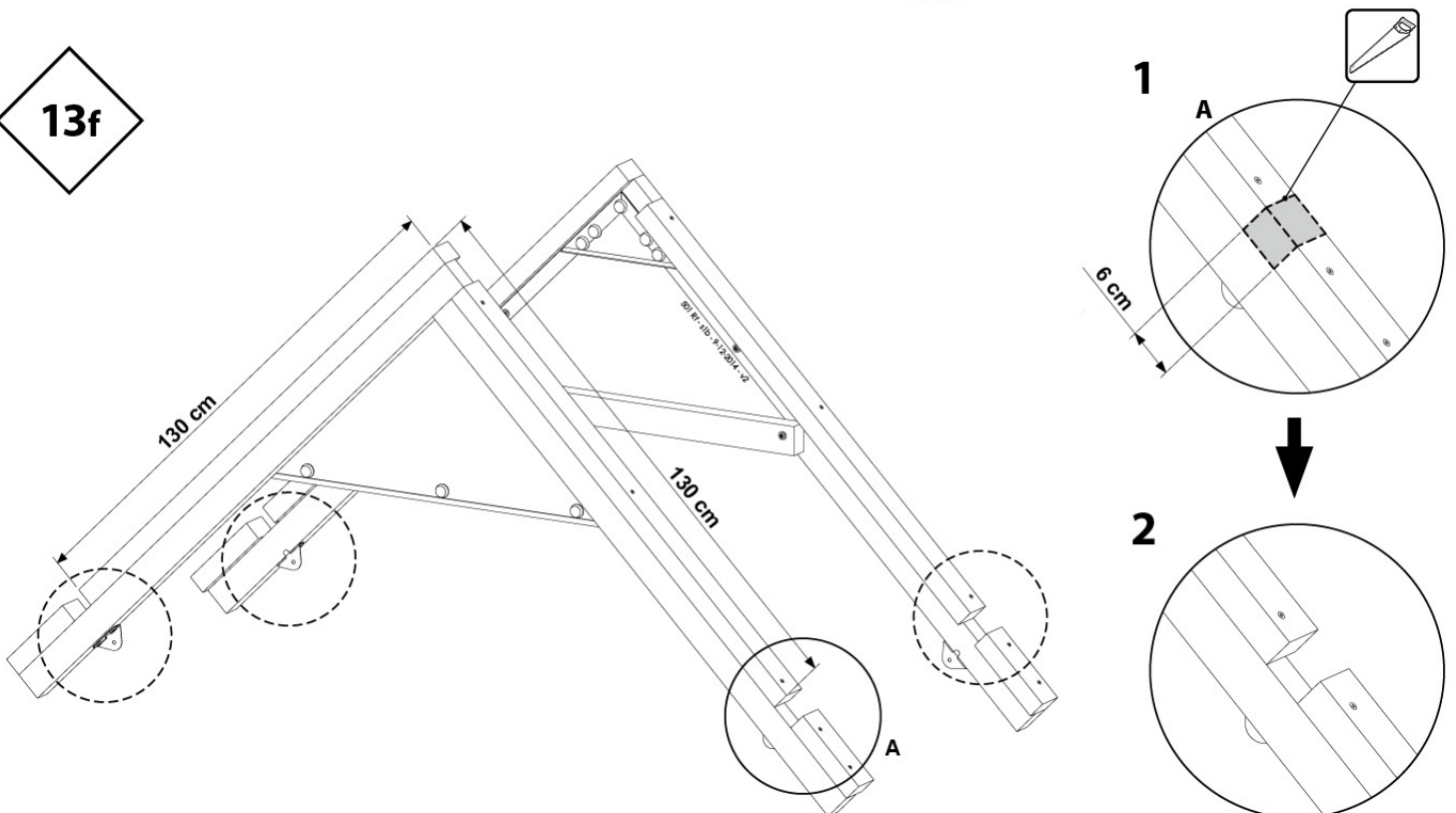


13e

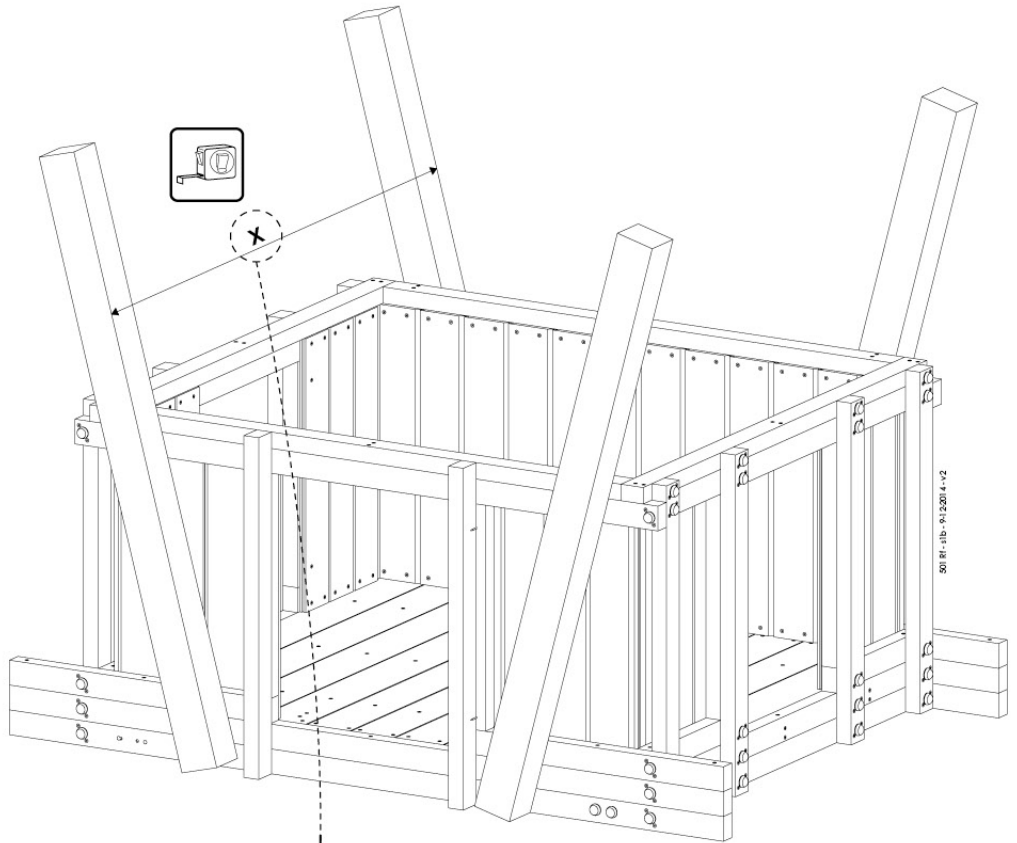
20x  80 mm



13f

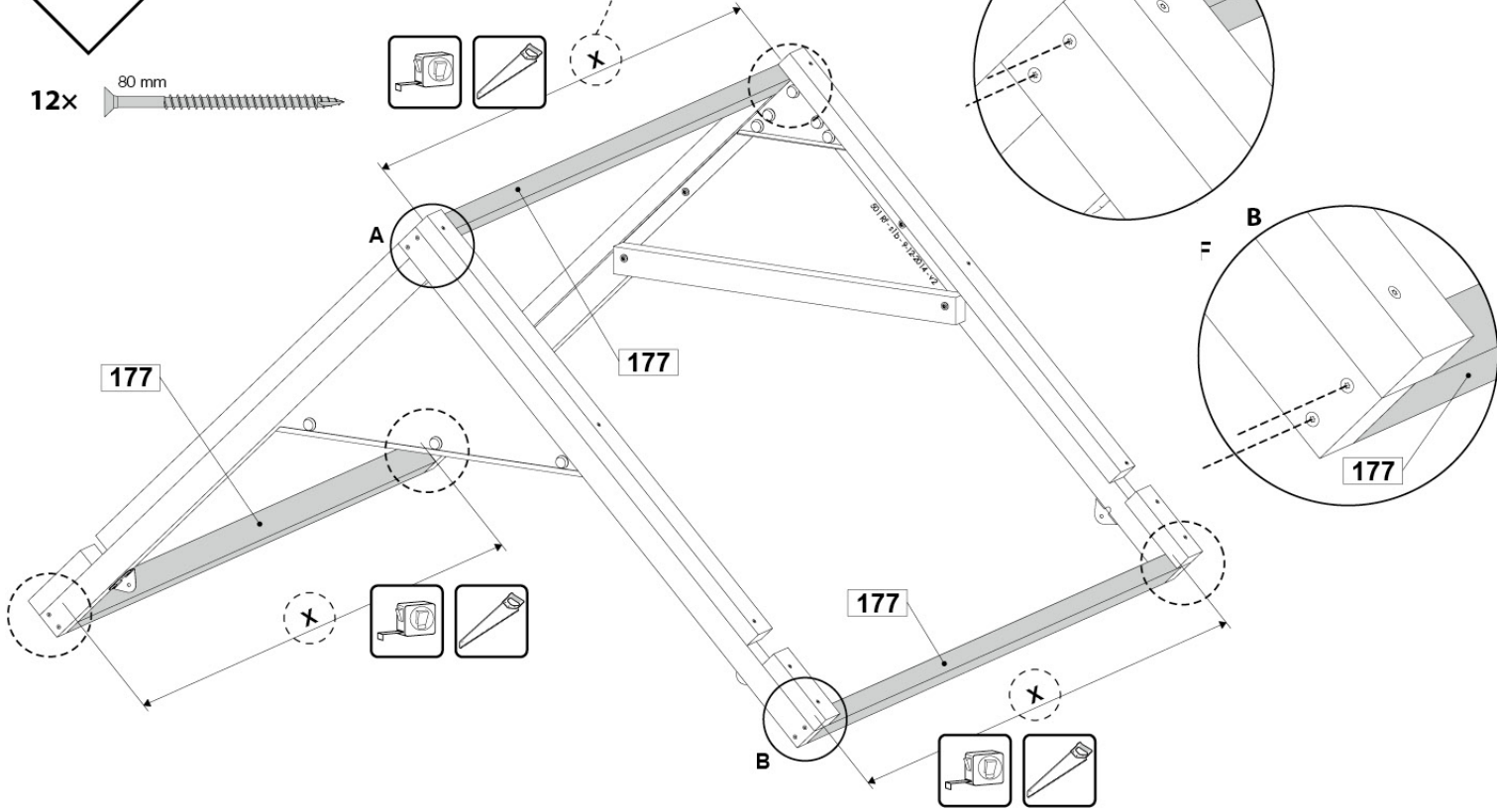


13g



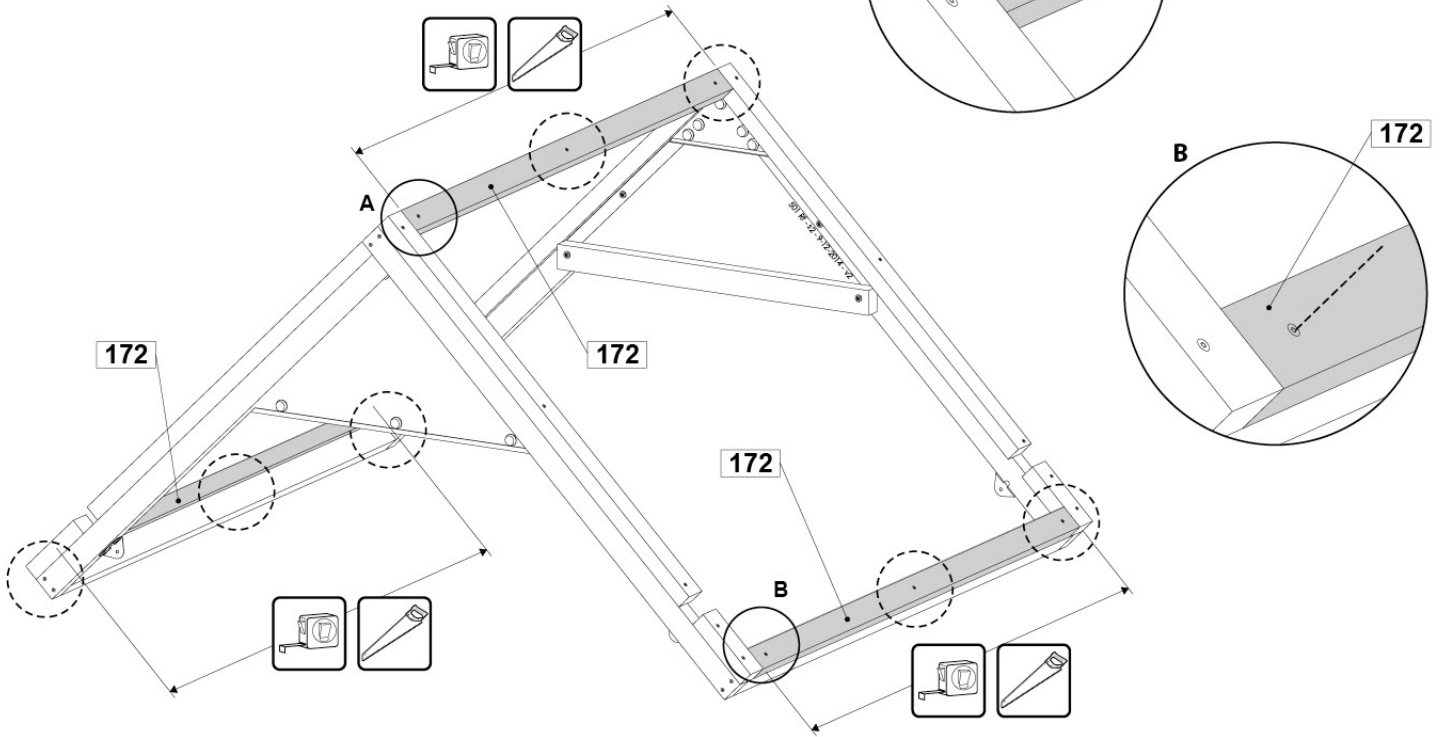
13h

12x 80 mm



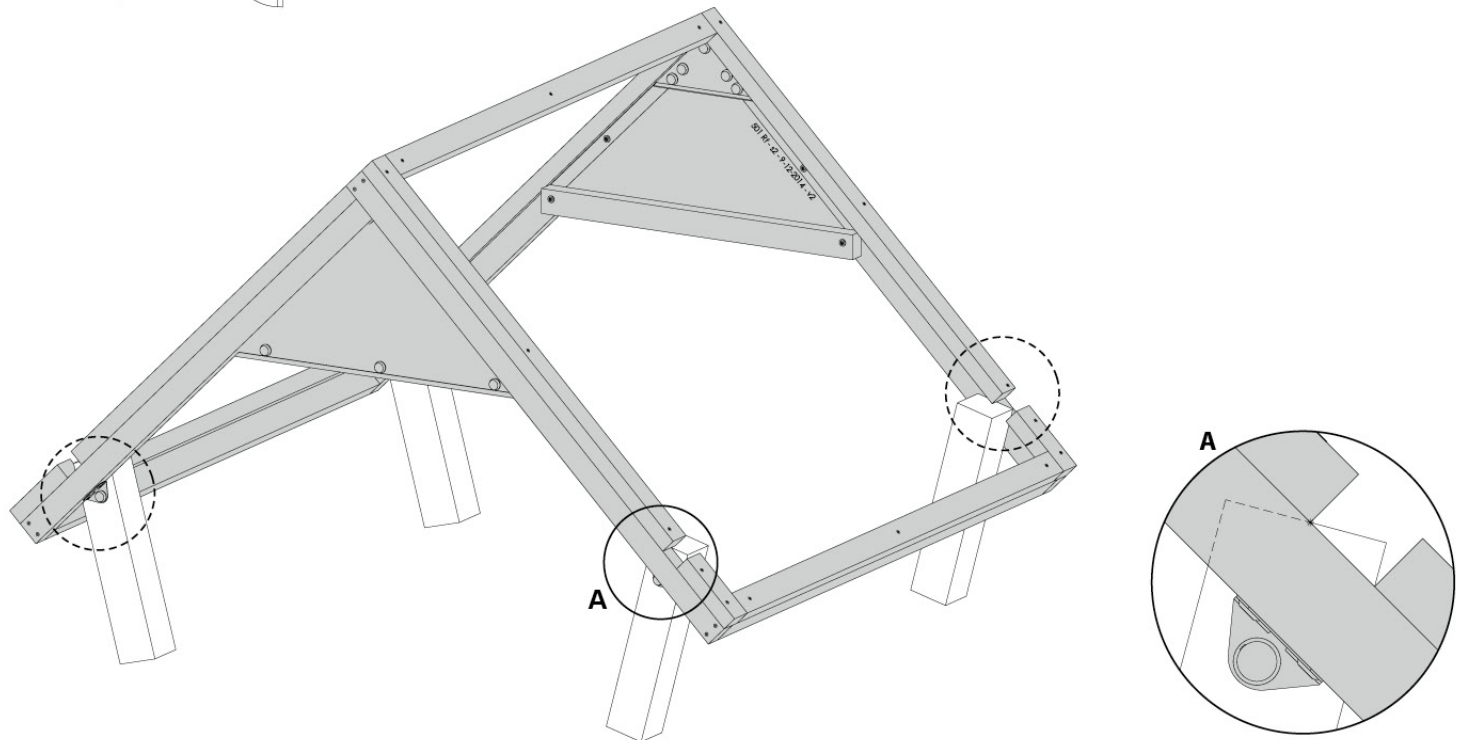
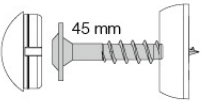
# 13i

9x 80 mm



# 13j

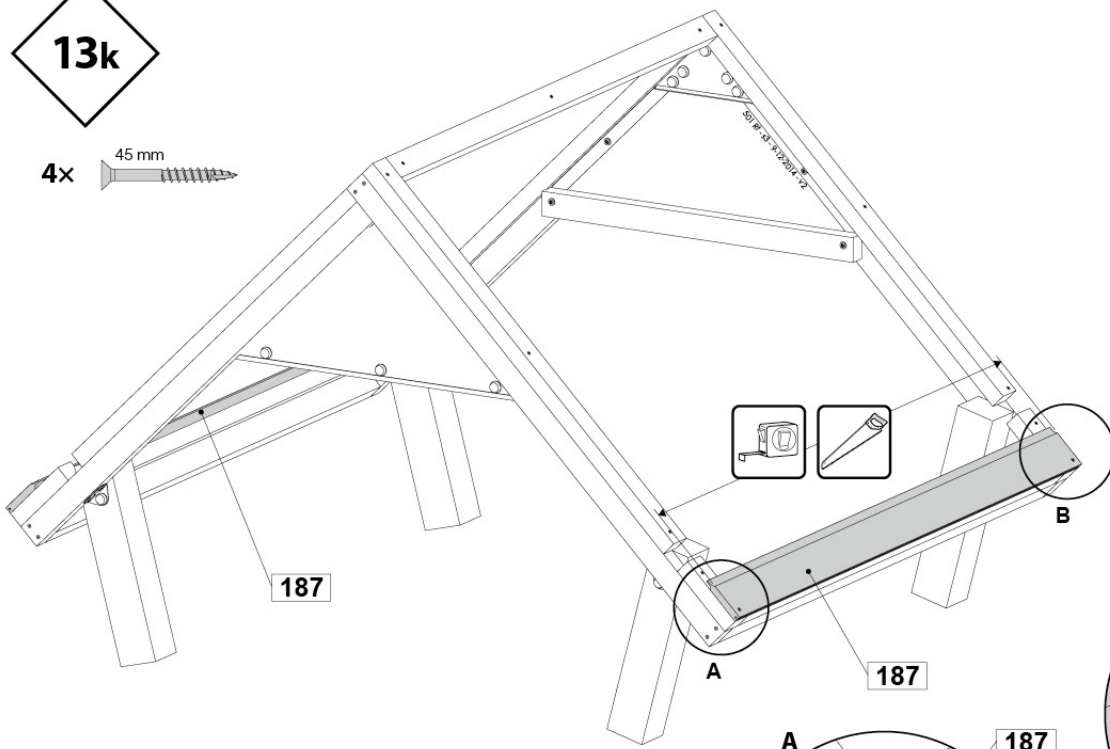
4x 45 mm





# 13k

4x 45 mm



187

A

187

B

B

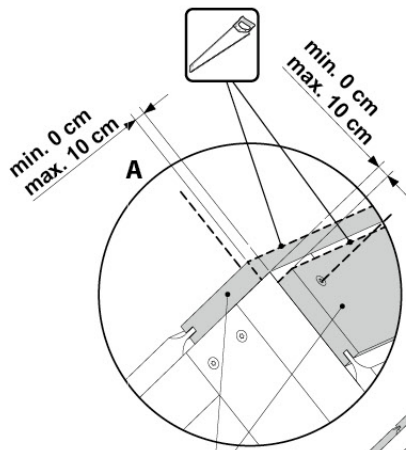
187

A

187

# 13L

4x 45 mm



min. 0 cm  
max. 10 cm

min. 0 cm  
max. 10 cm

187

A

B

B

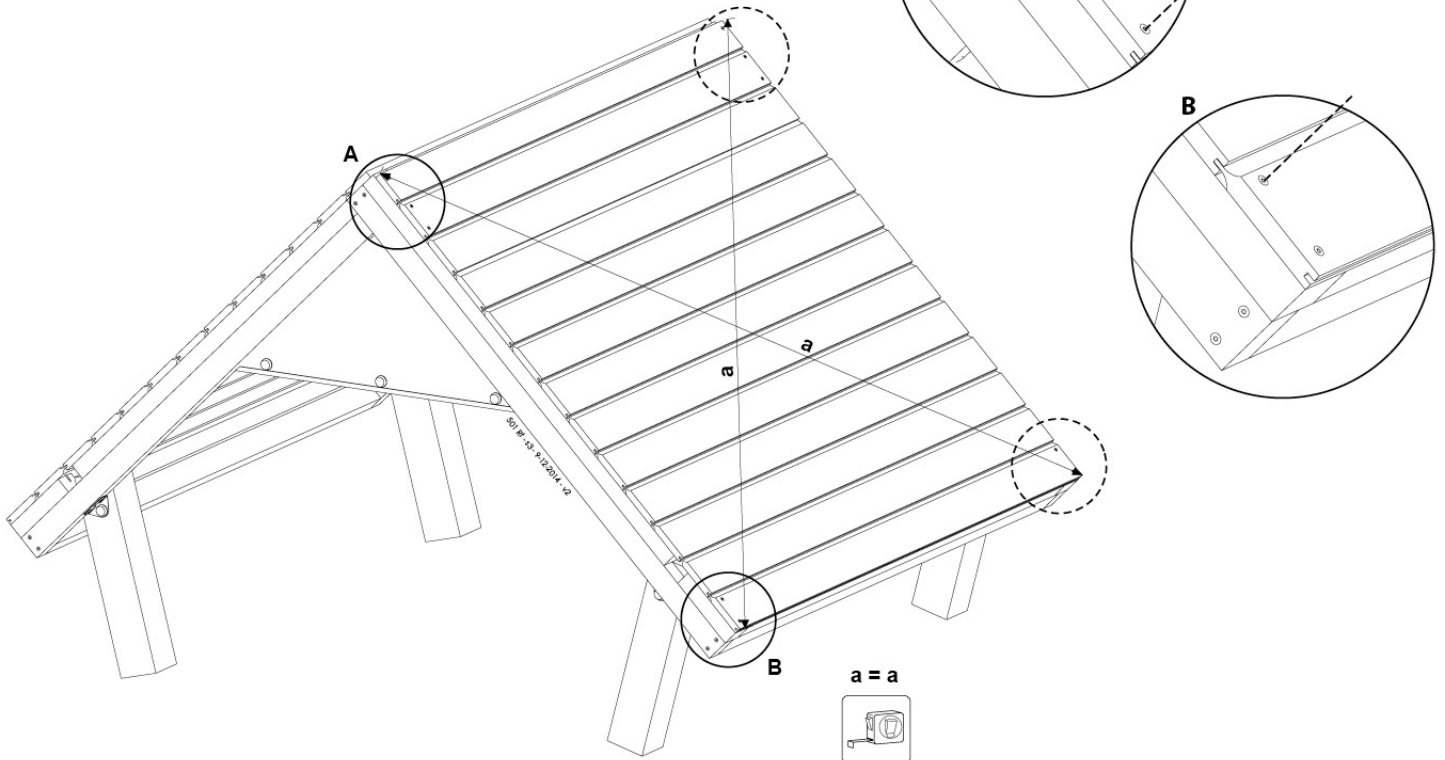
187

11-14 x 187

11-14 x 187

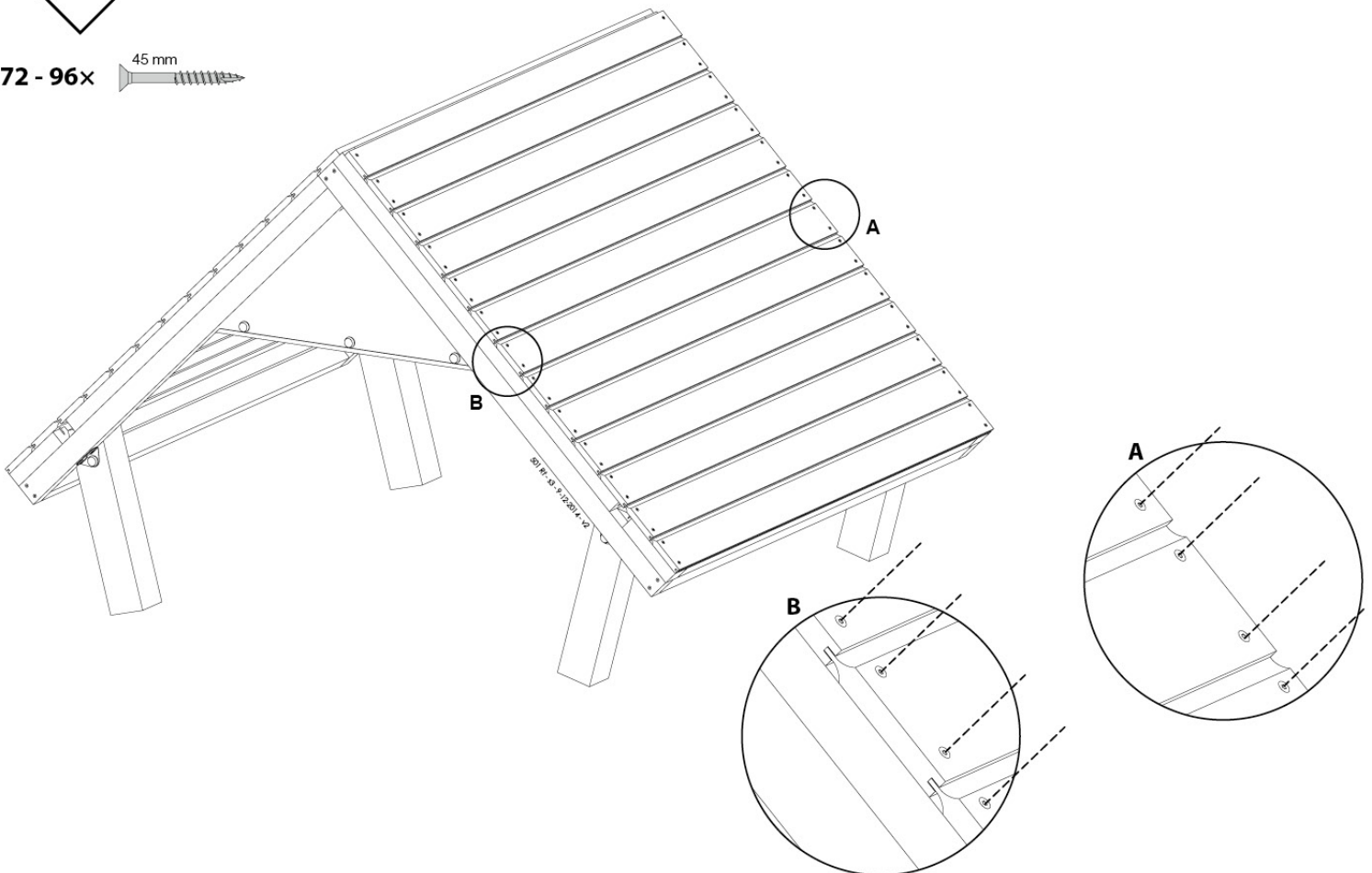
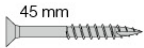
**13m**

12x 45 mm



**13n**

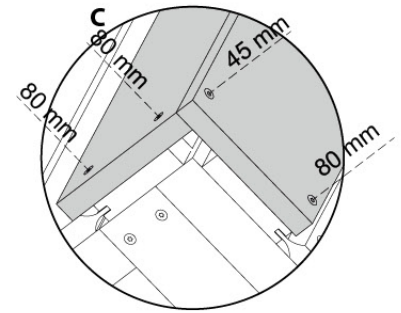
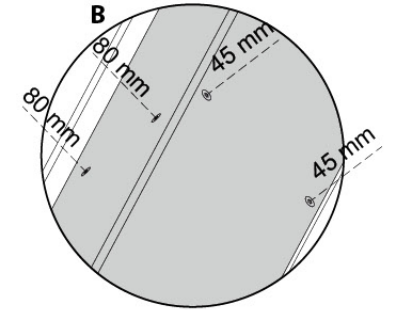
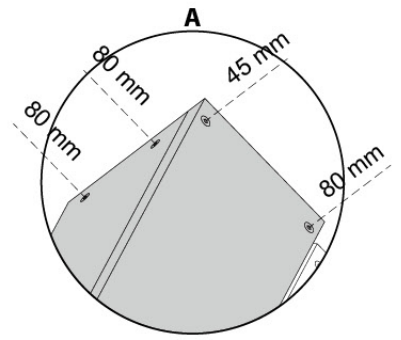
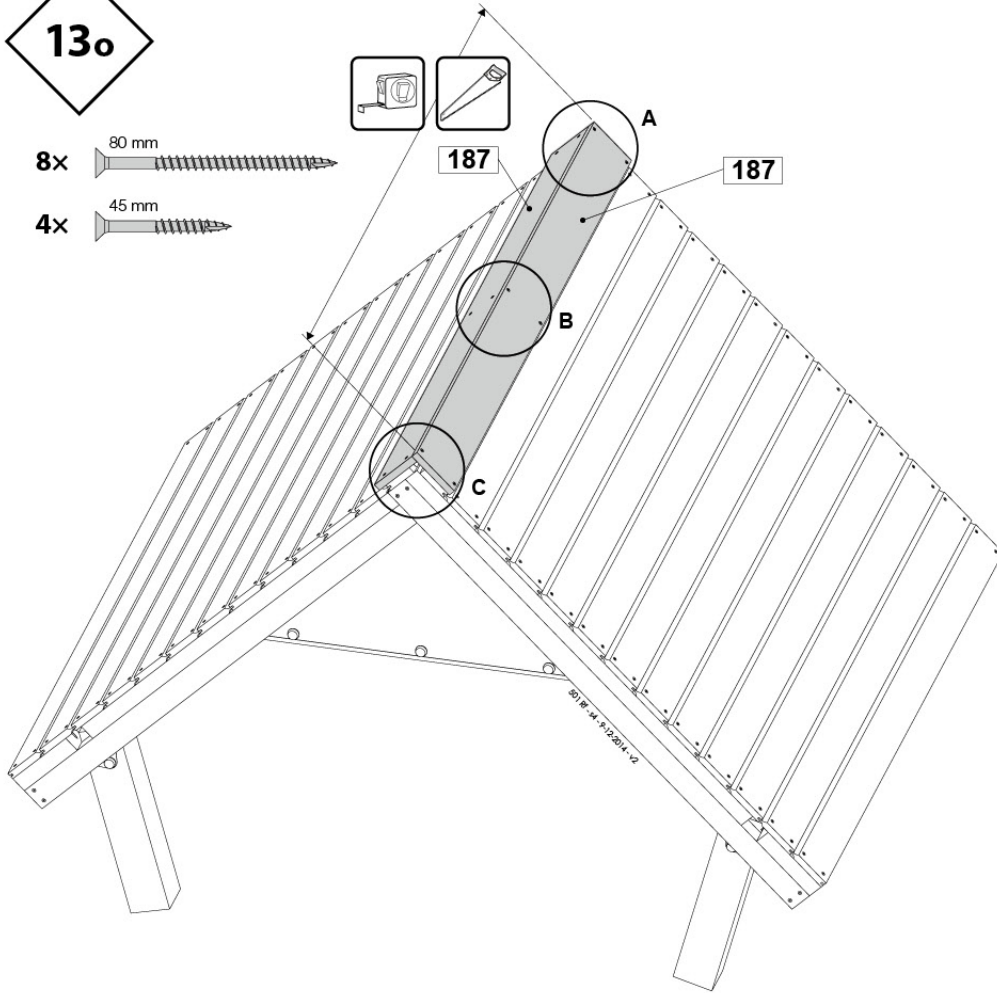
72 - 96x 45 mm



# 13o

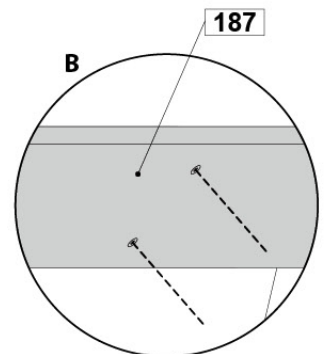
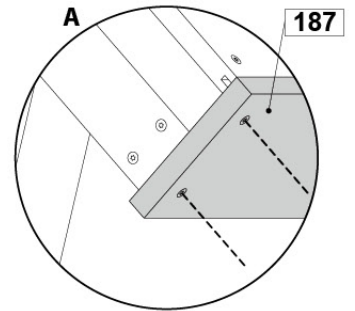
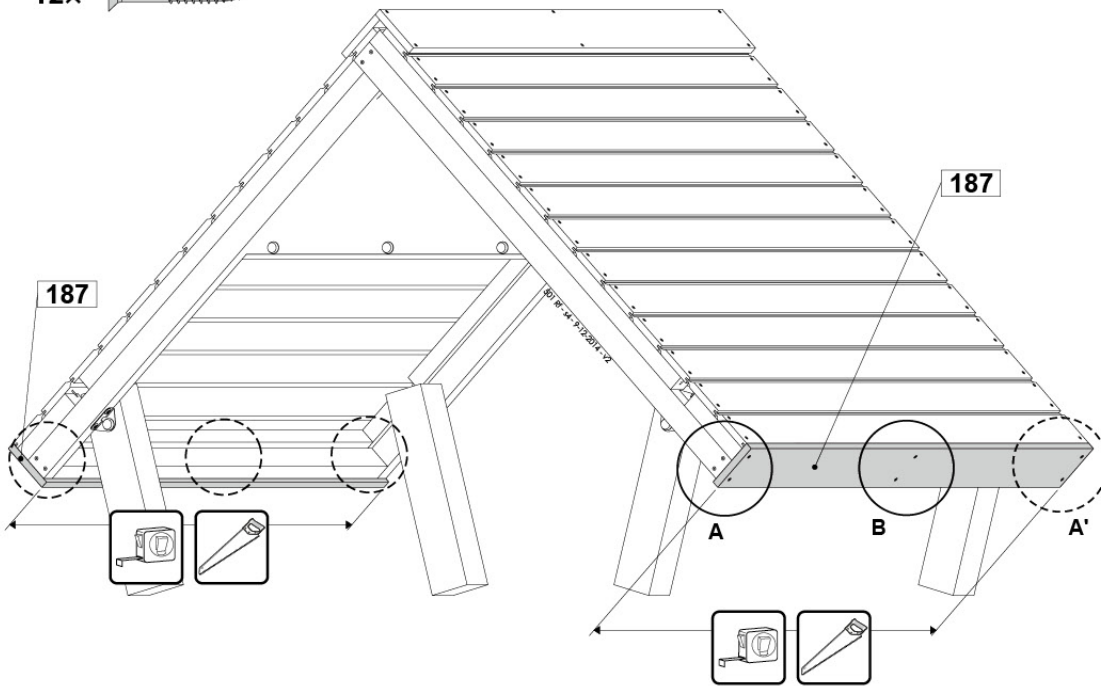
8x 80 mm

4x 45 mm



# 13p

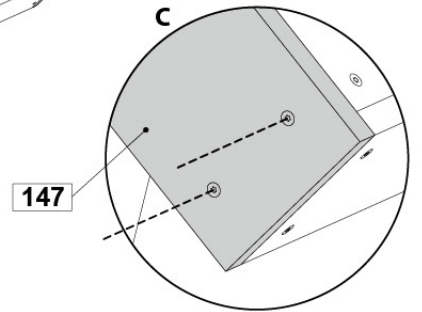
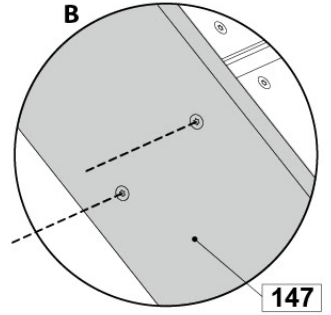
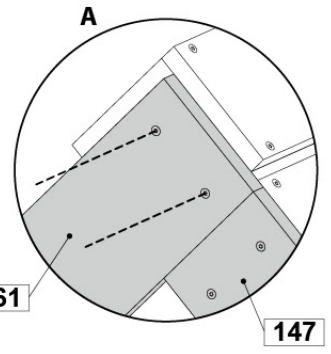
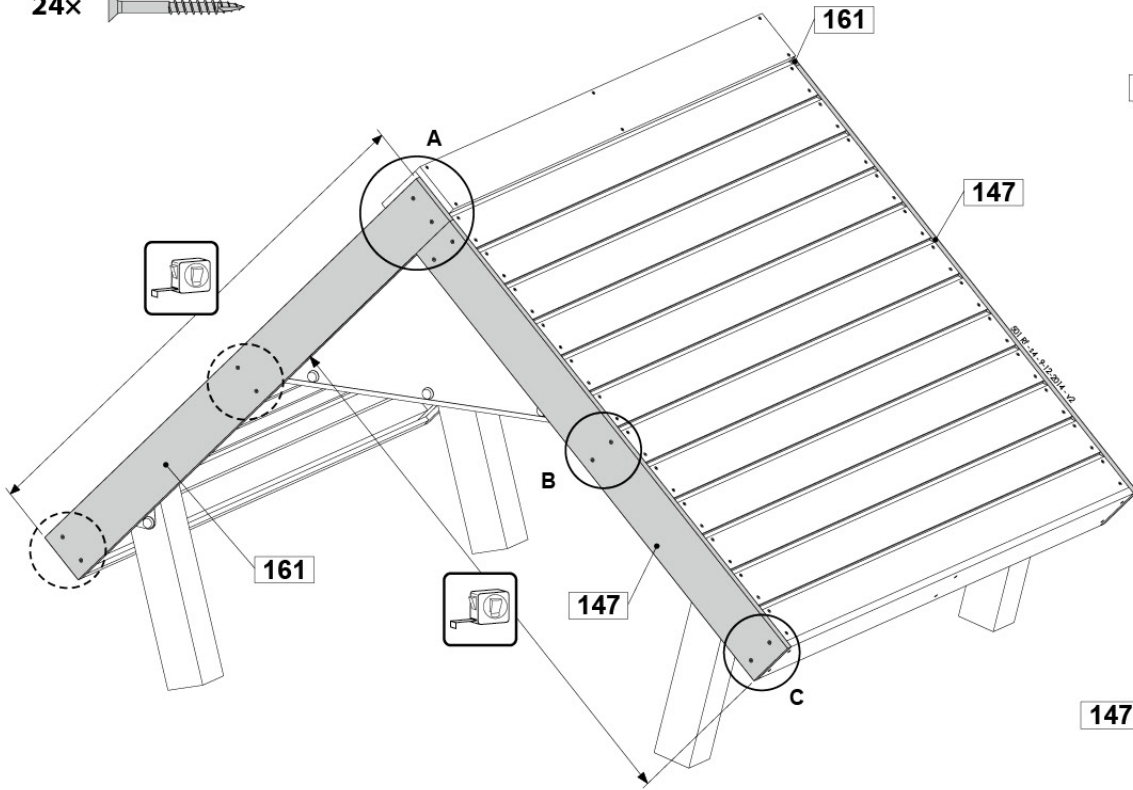
12x 45 mm





# 13q

24x 45 mm

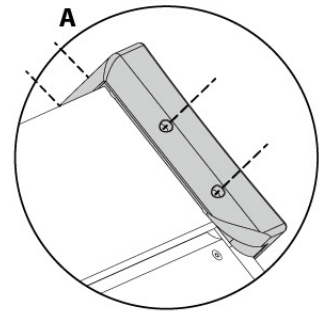
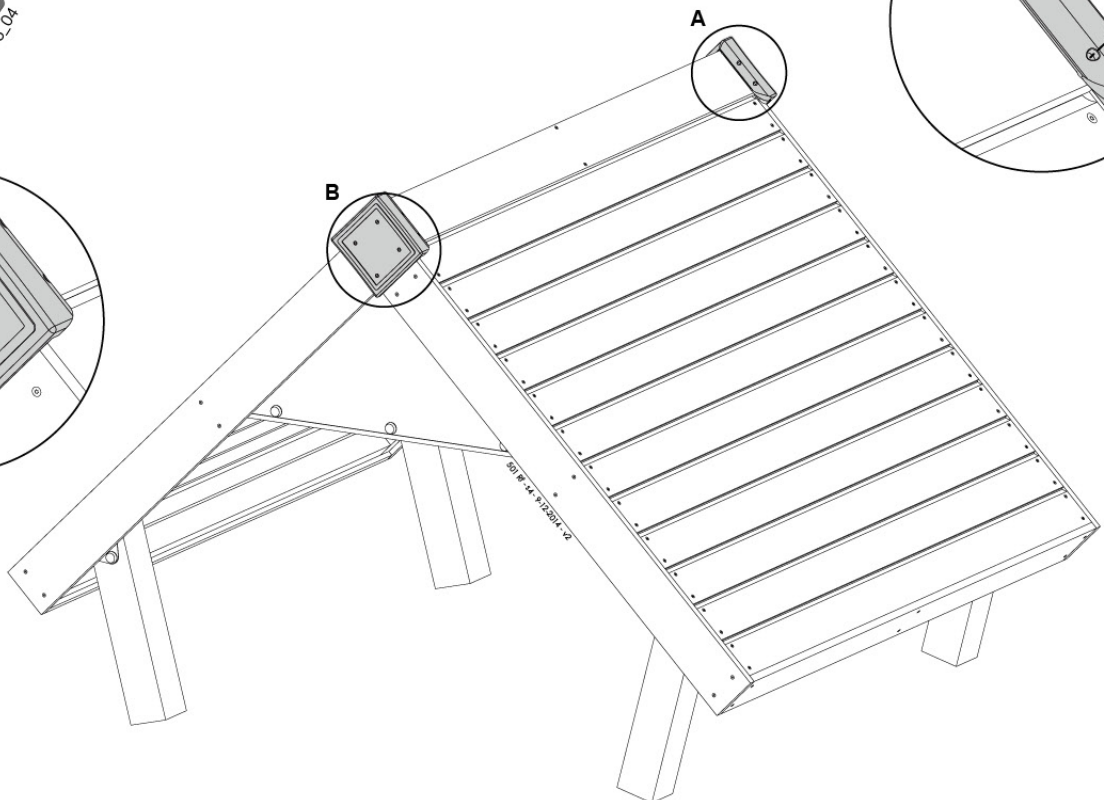
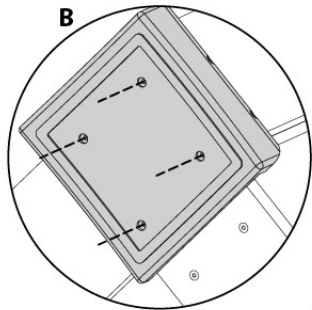



# 13r

16x 45 mm



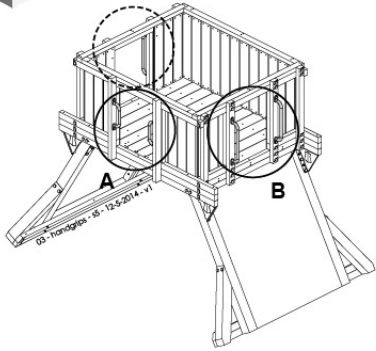
2x



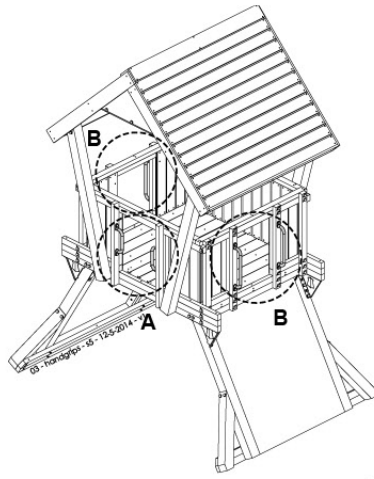


14

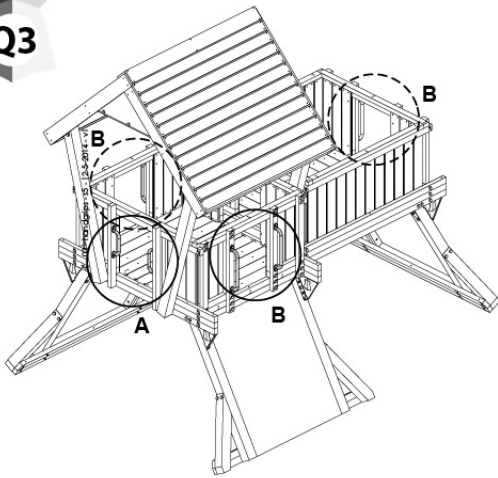
Q1



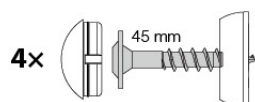
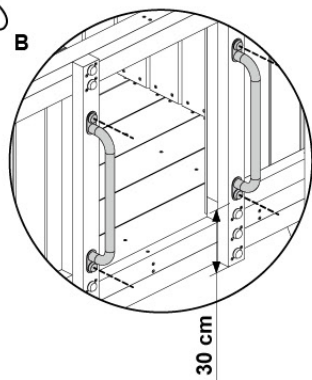
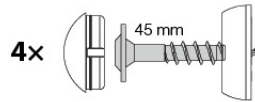
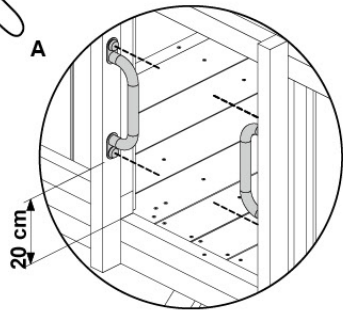
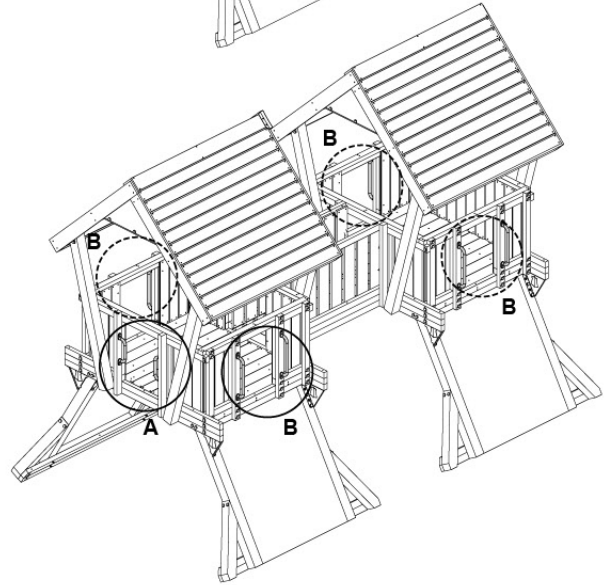
Q2



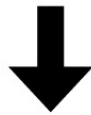
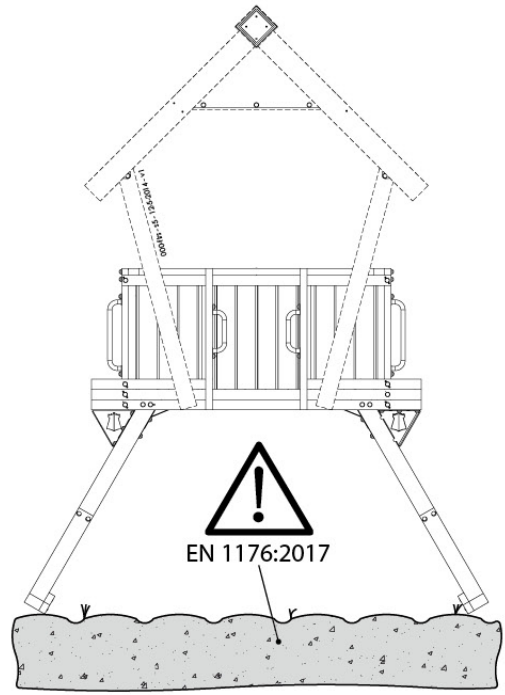
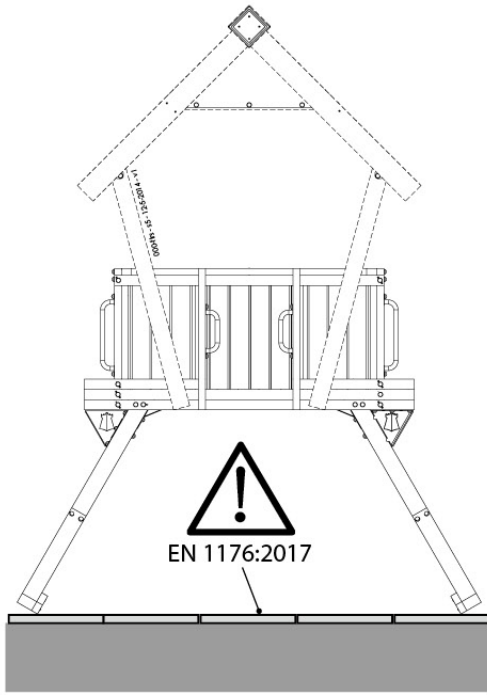
Q3



Q4



15



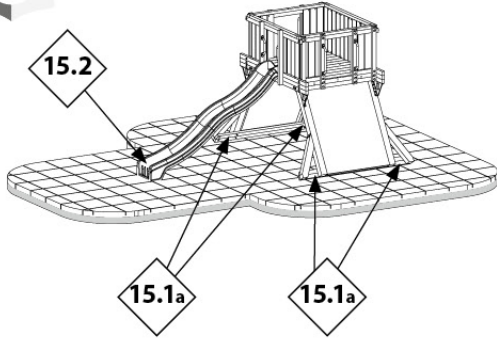
15.1



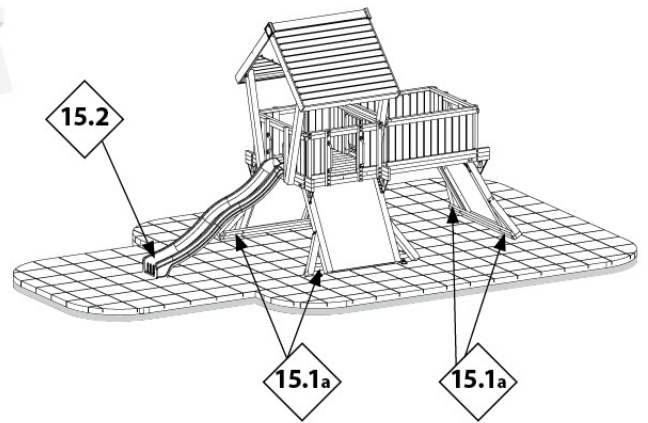
15.5

15.1

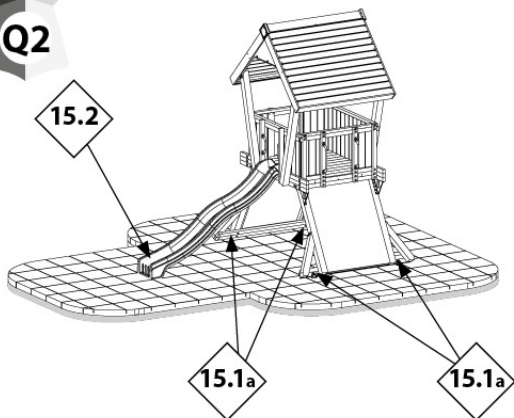
Q1



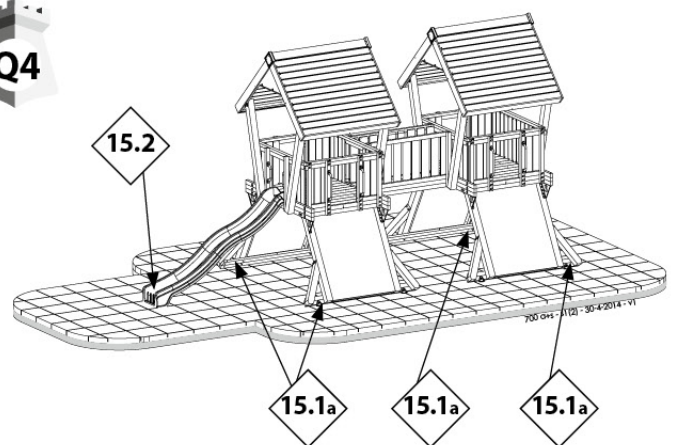
Q3



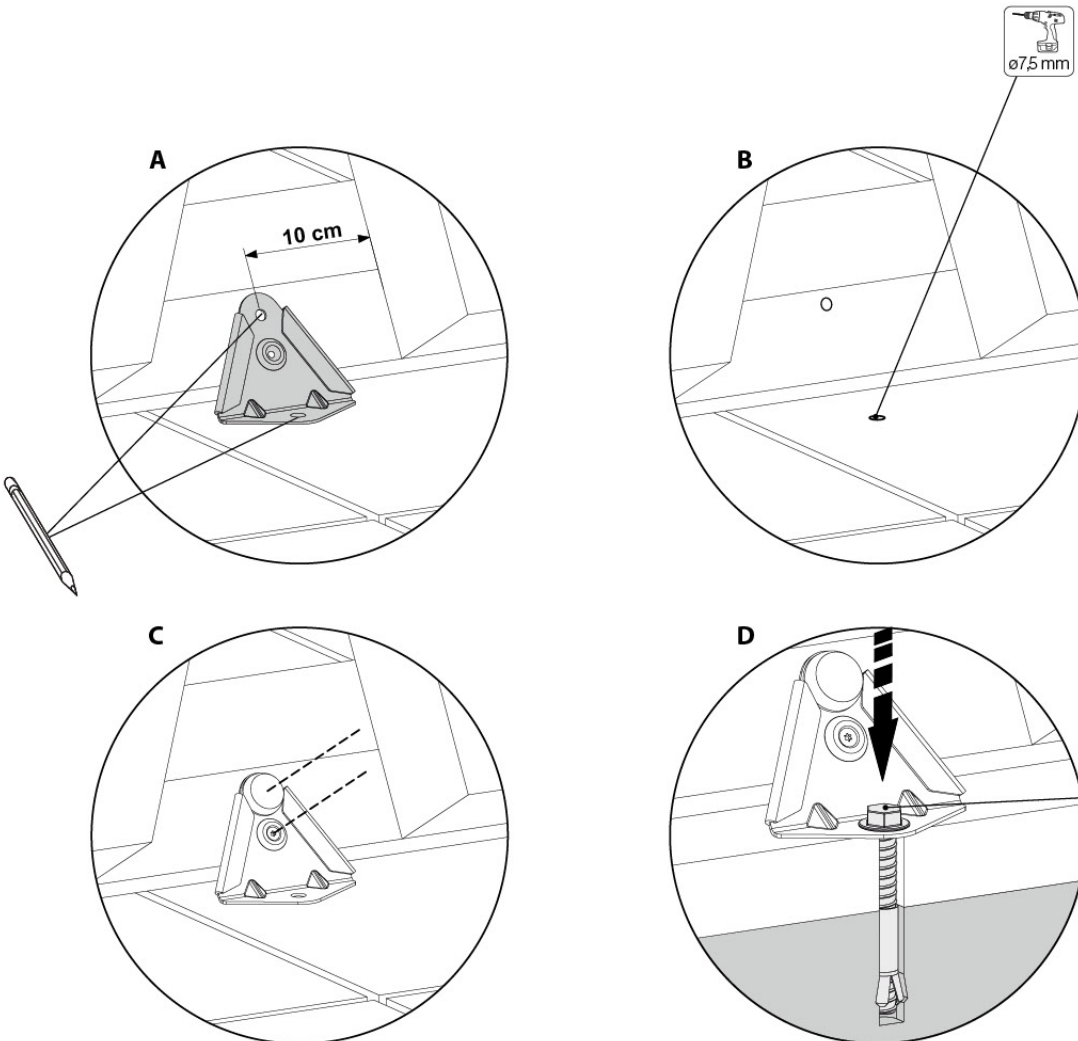
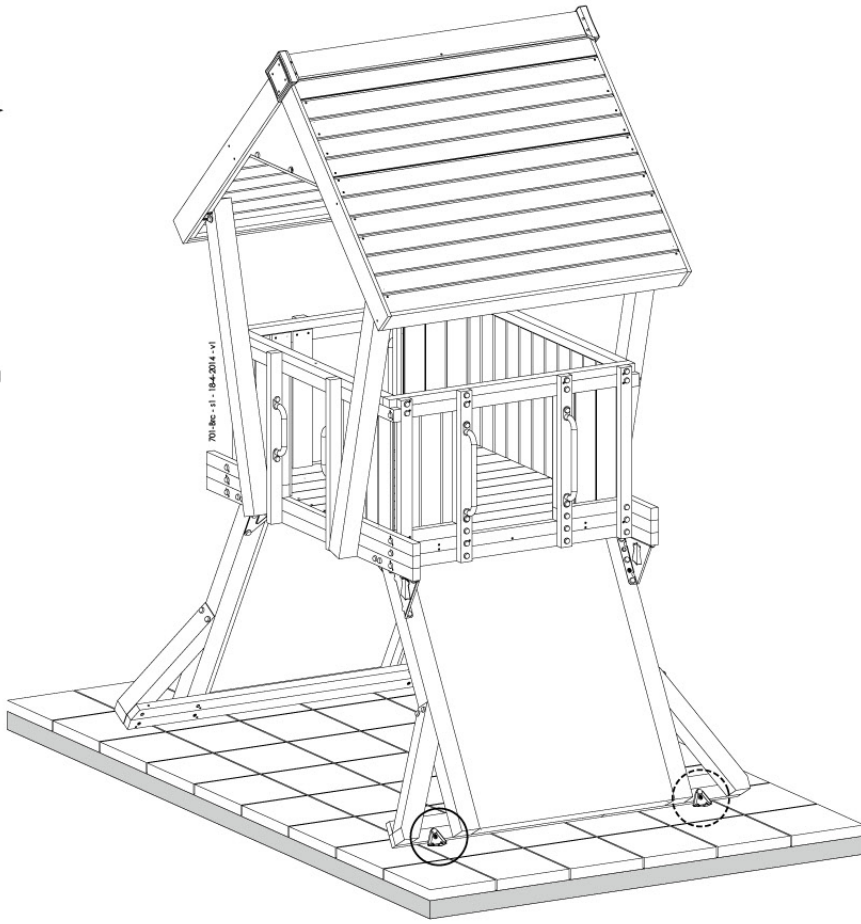
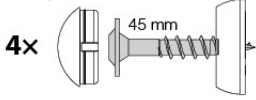
Q2




Q4




# 15.1a






**Part 1**

HY-LAND  
Assembly  
1





15

15.2



**Polyethylene  
Slide**



15.3



**Stainless Steel  
Slide**



15.4

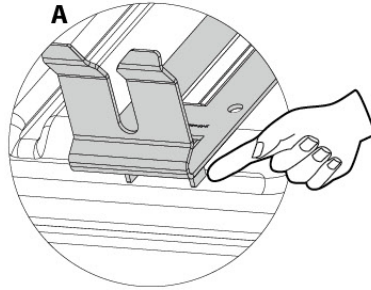
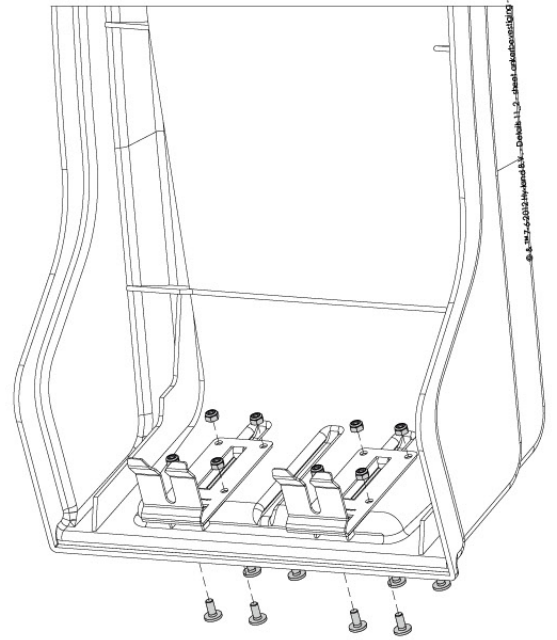
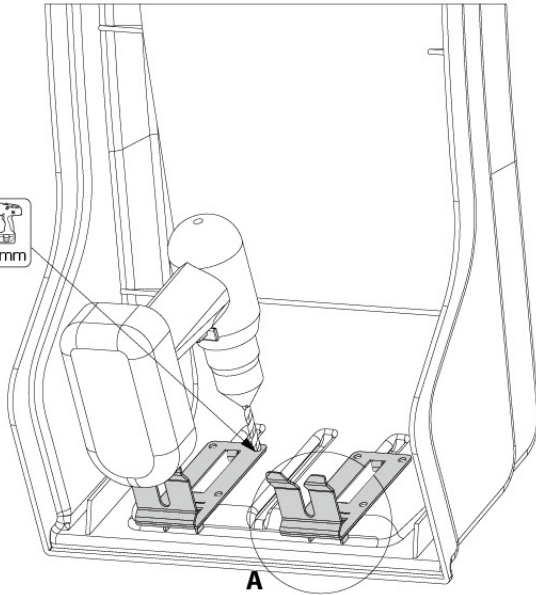


# 15.3a

8x 18 mm M8

2x 10\_032\_5013\_225\_01

8x  $\phi 7.5$  mm

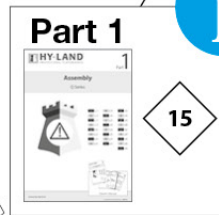
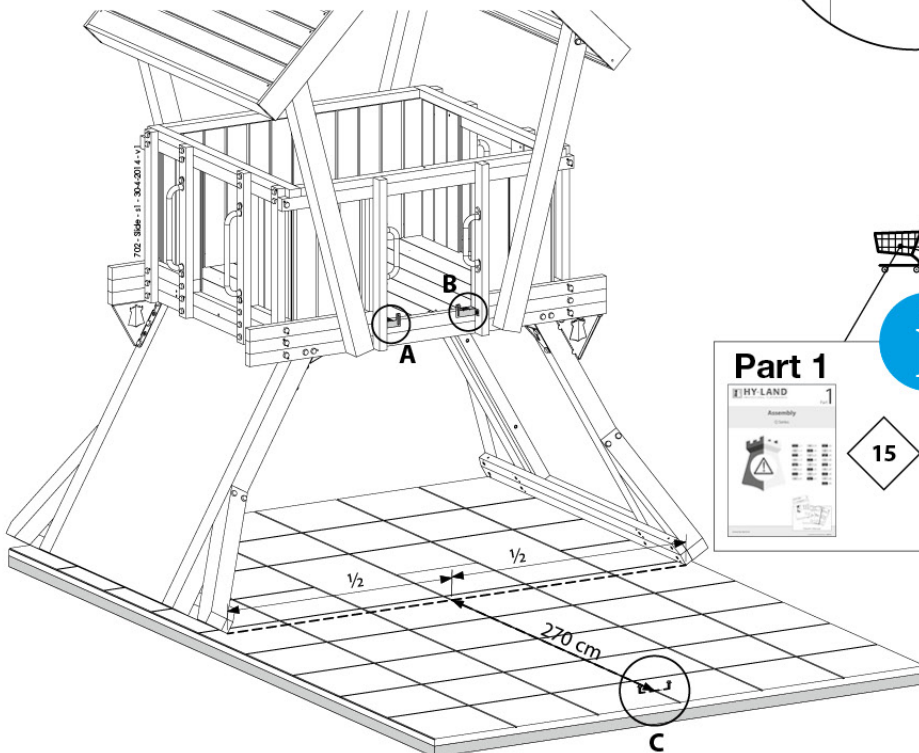
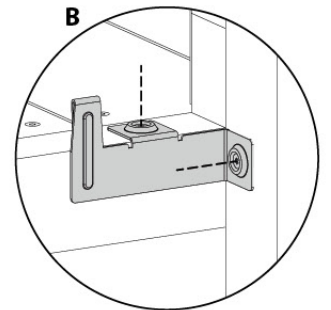
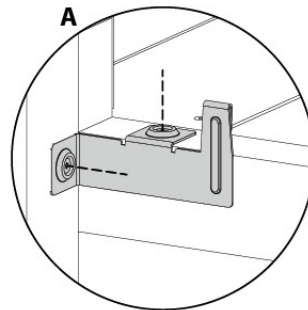


# 15.3b

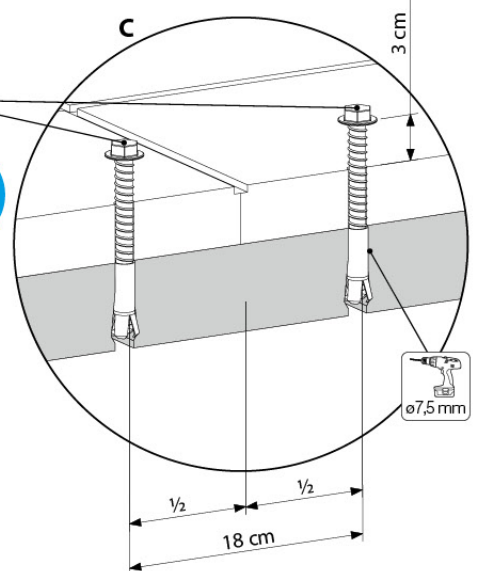
4x 20 mm

1x 10\_030\_5042\_116\_04

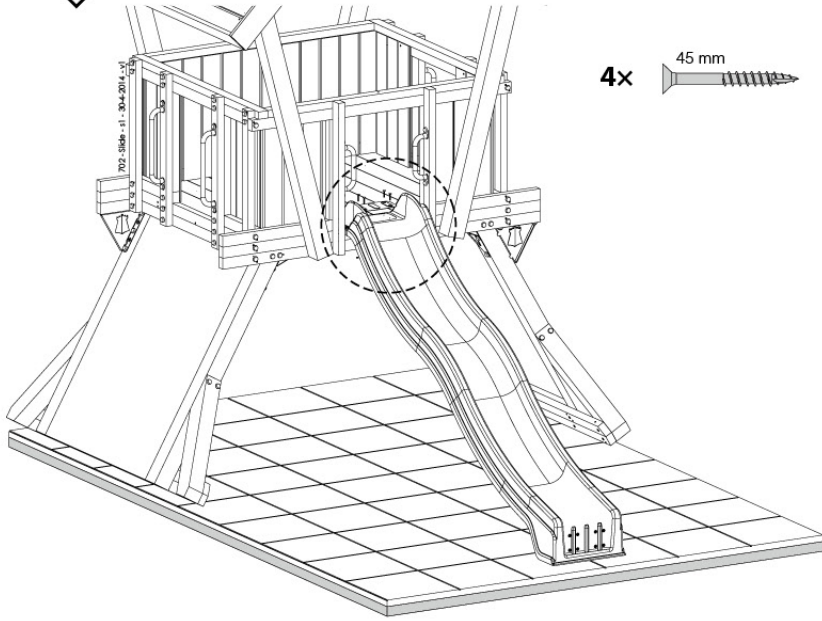
1x 10\_030\_5042\_216\_04



15

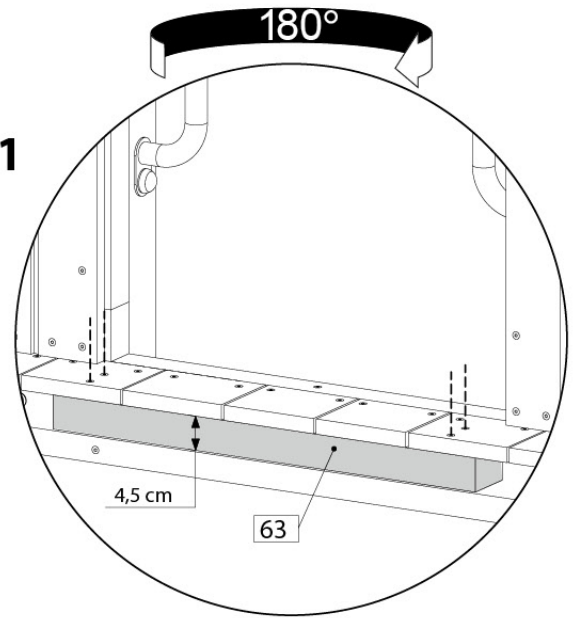


**15.3c**

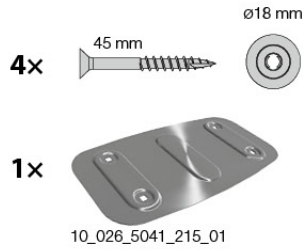
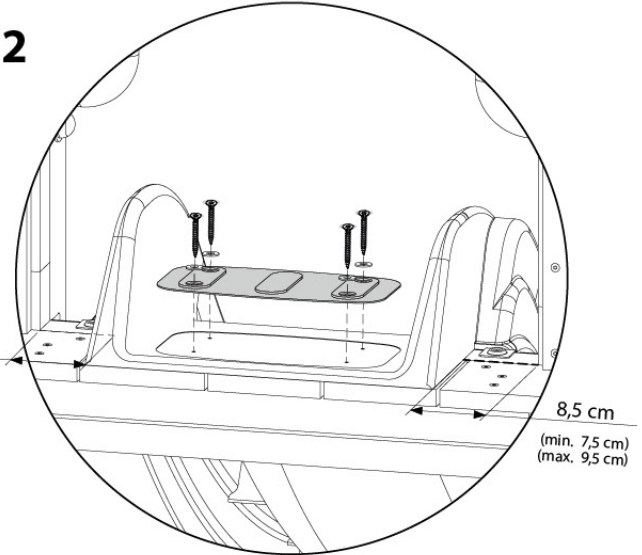


4x 45 mm

1

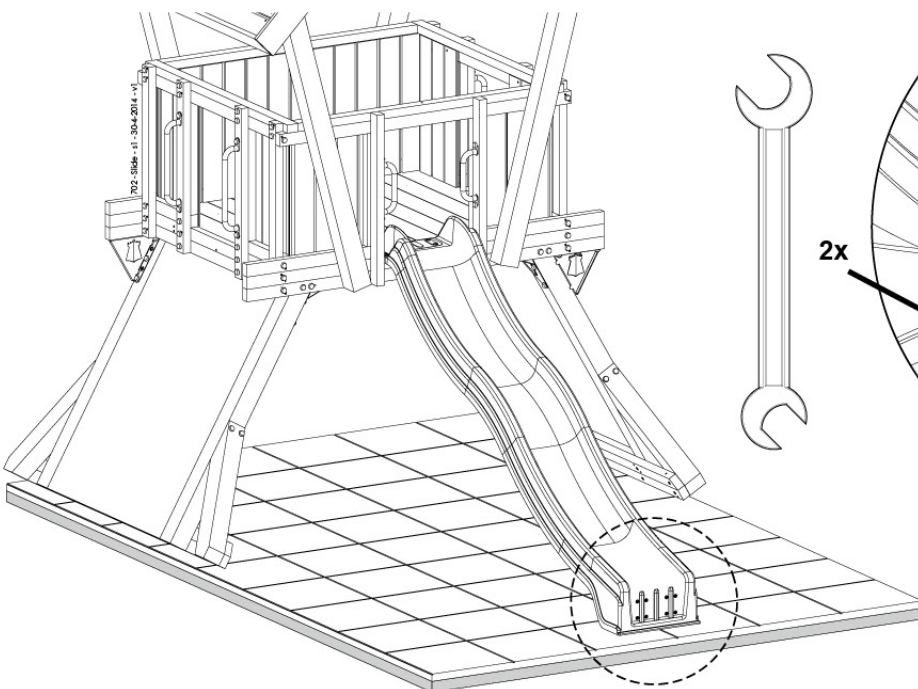


2

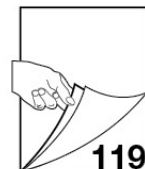
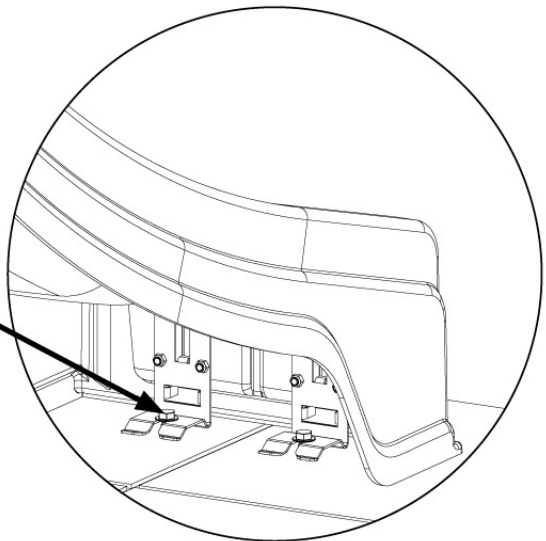


10\_026\_5041\_215\_01

**15.3d**

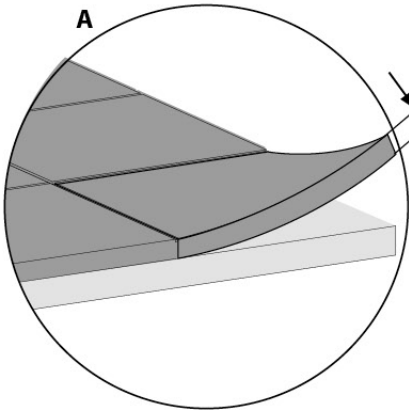
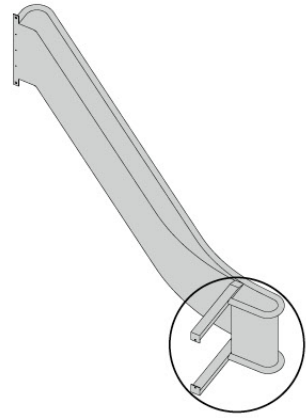
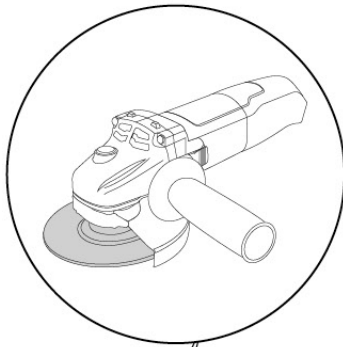
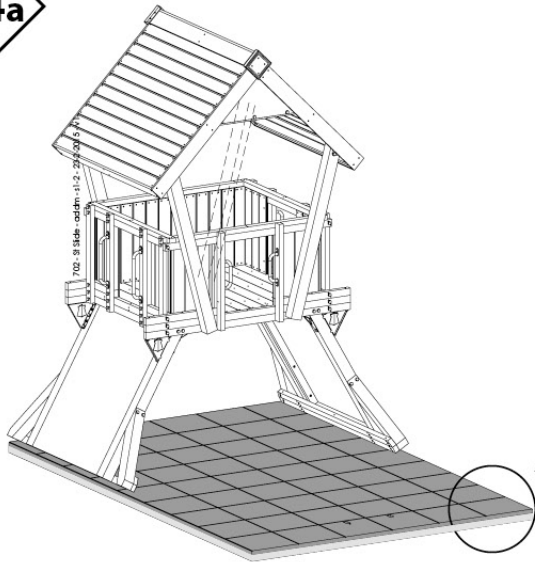


2x

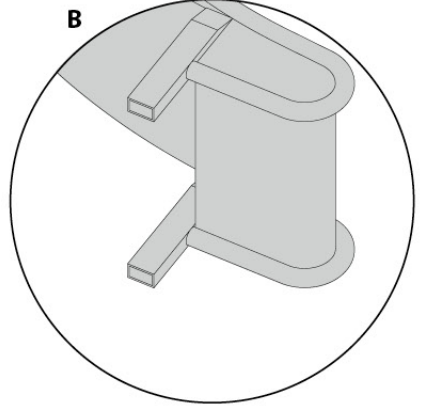
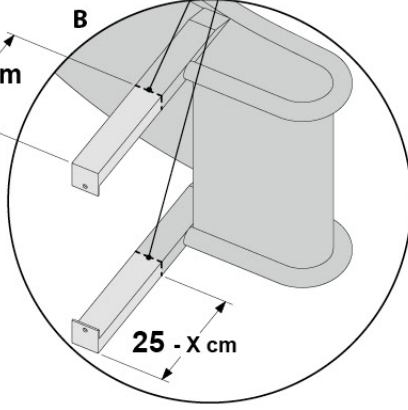


**16**

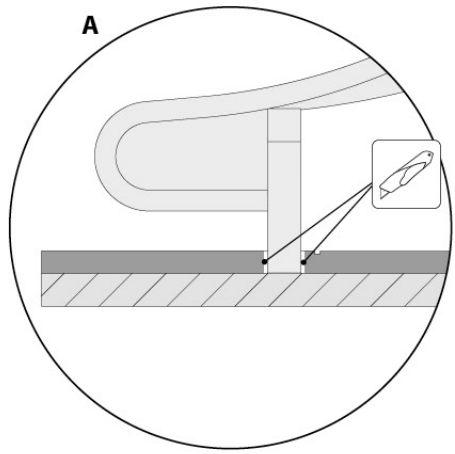
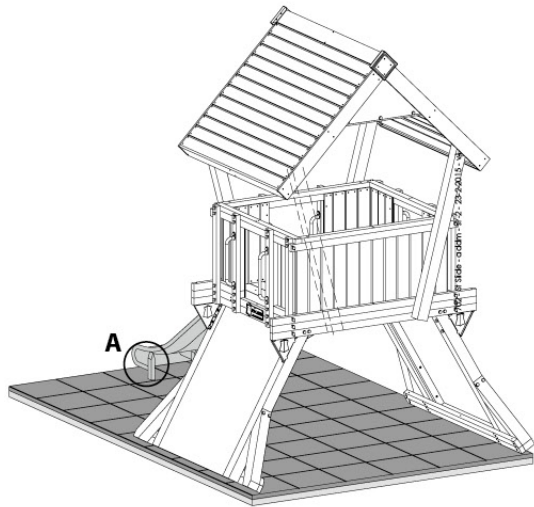
**15.4a**



25 - X cm

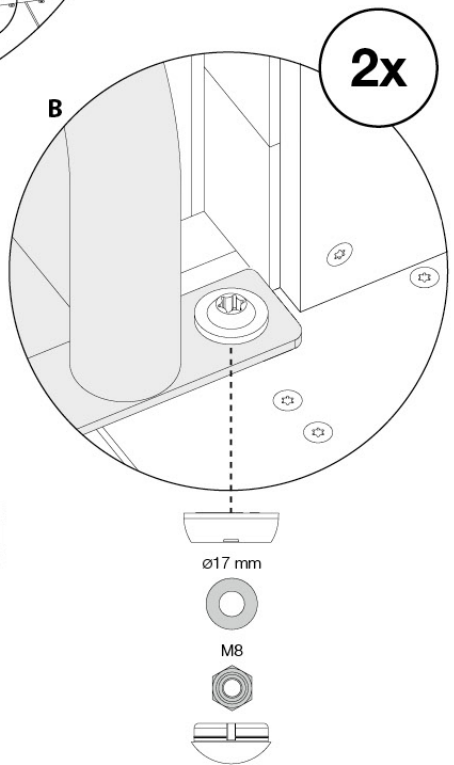
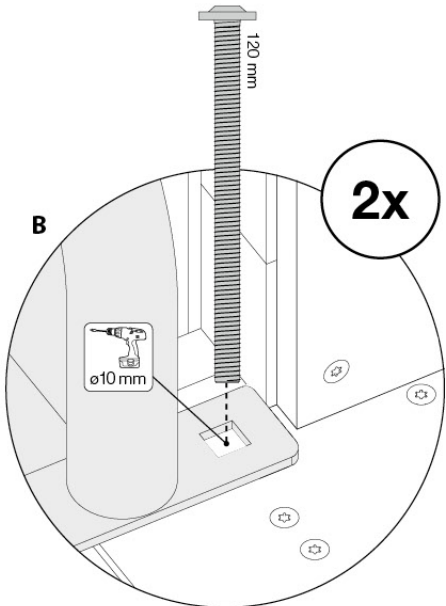
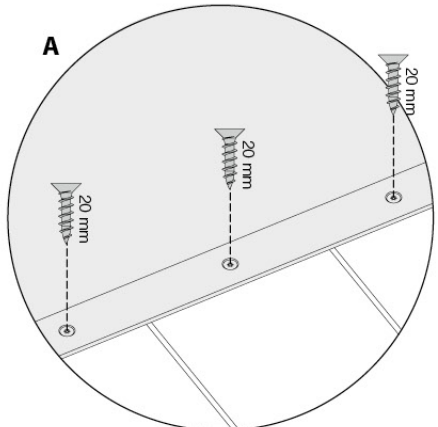
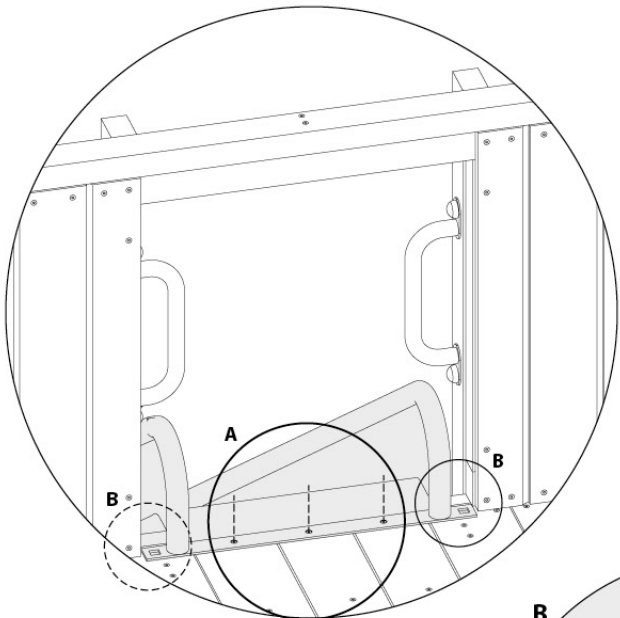
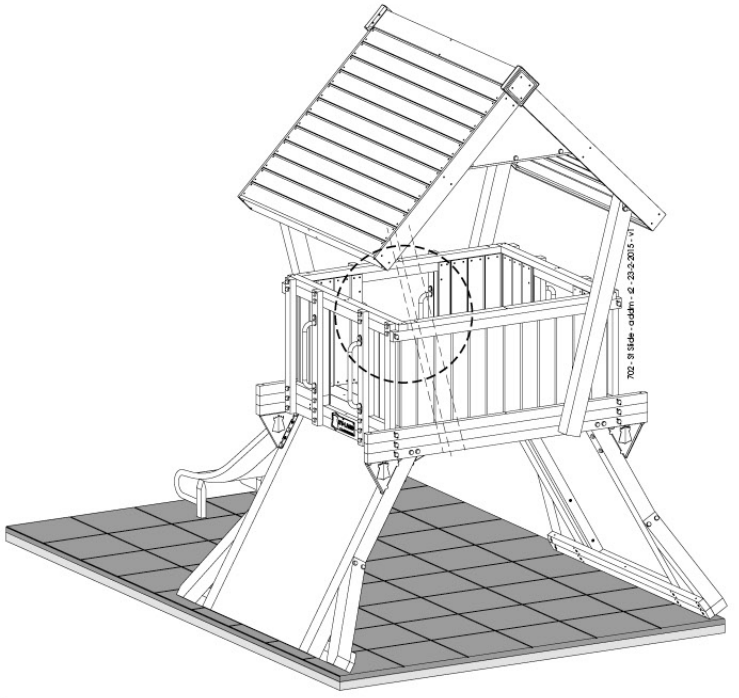
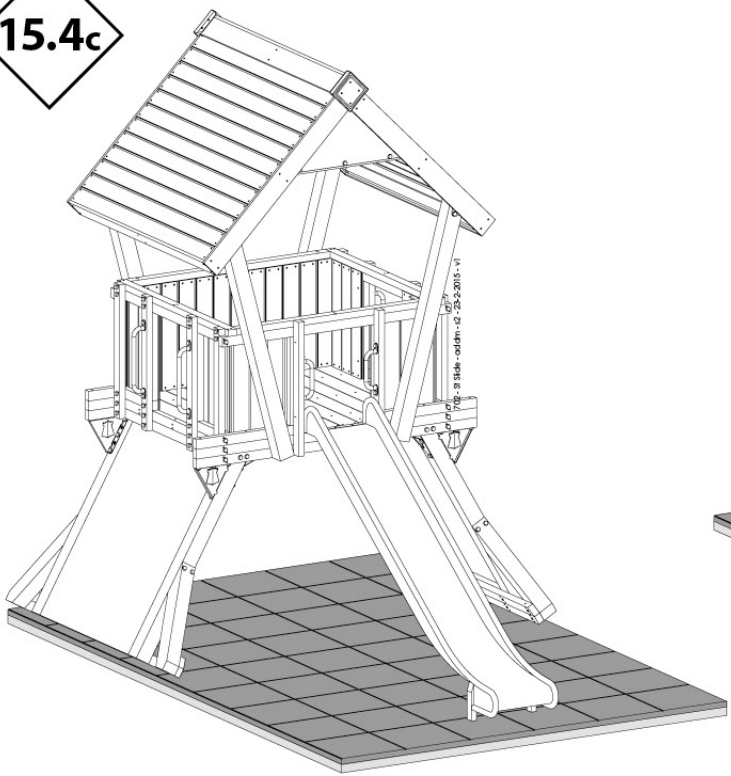


**15.4b**



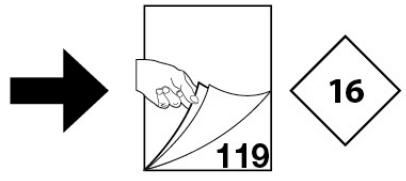
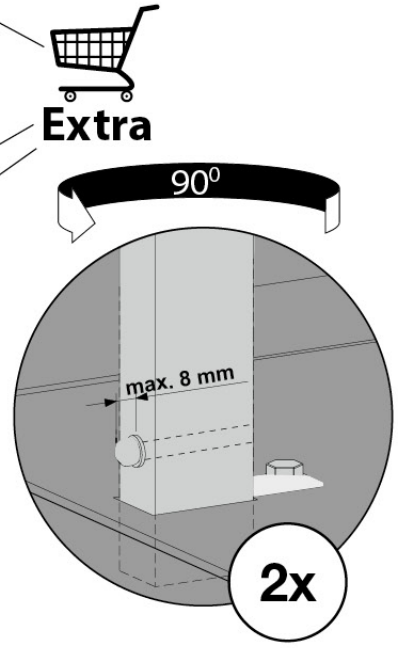
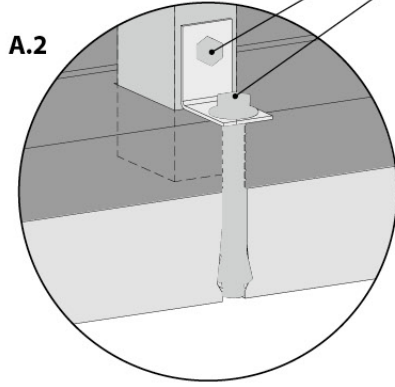
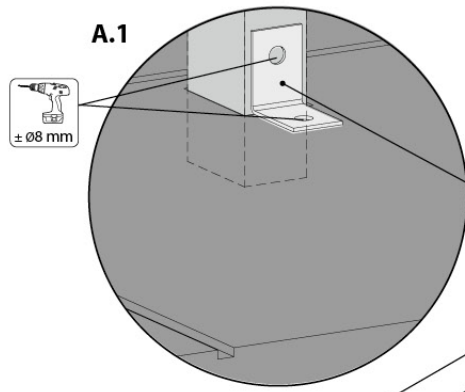
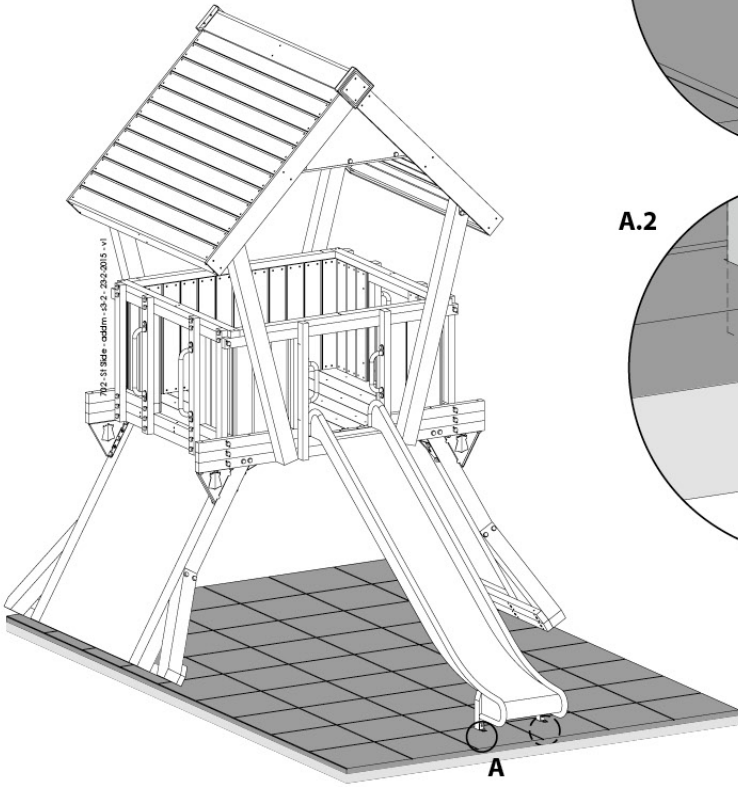


**15.4c**

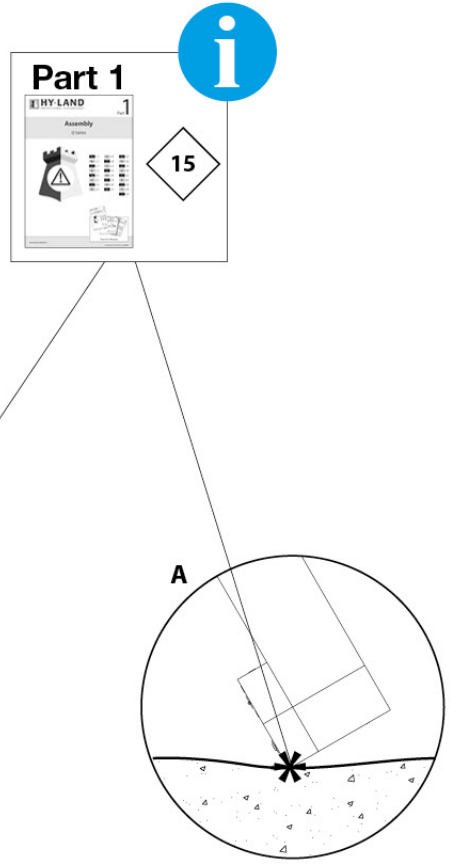
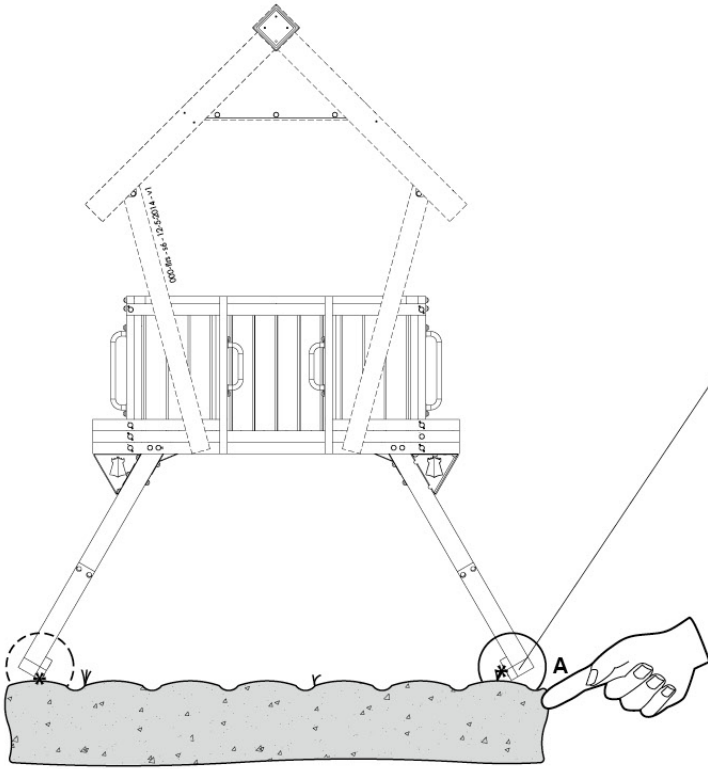




15.4d

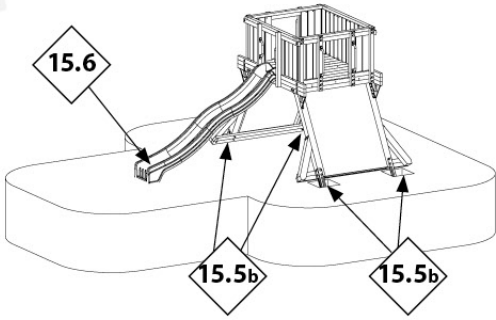


15.5

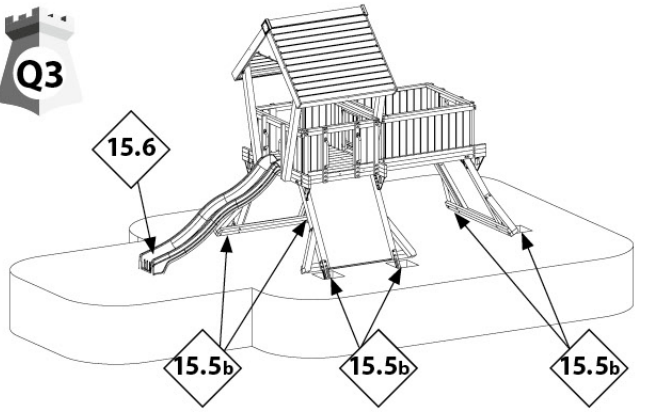


15.5a

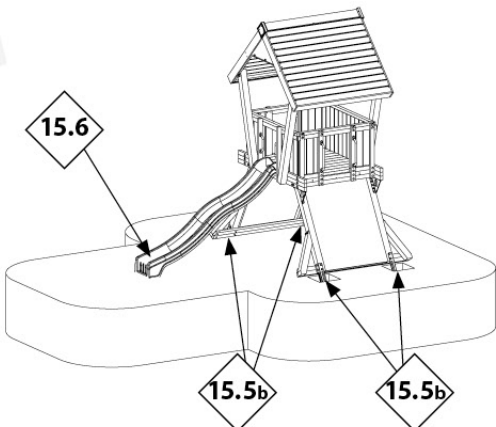
Q1



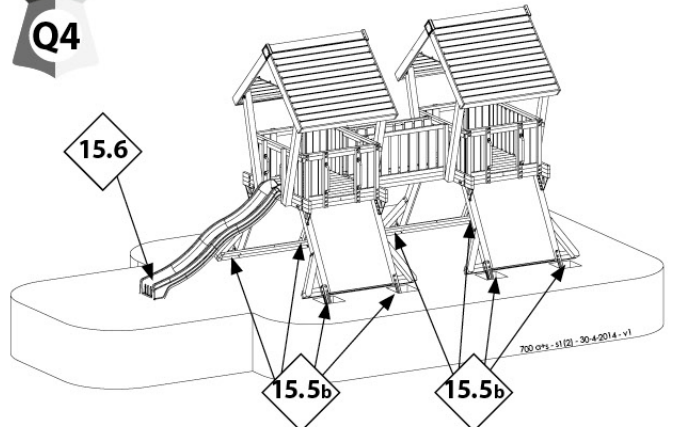
Q3



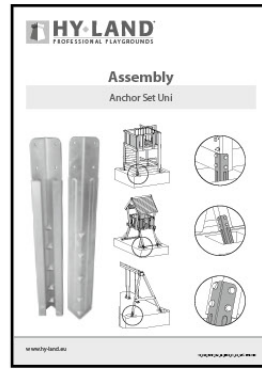
Q2



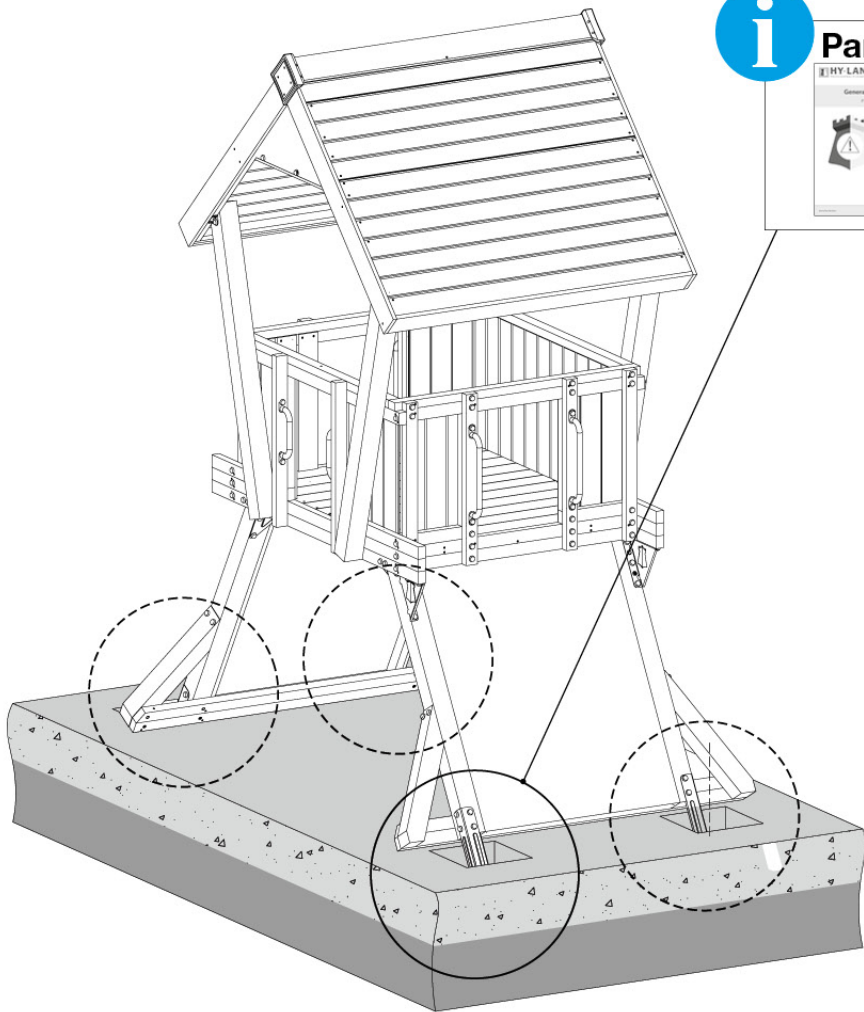
Q4



15.5b



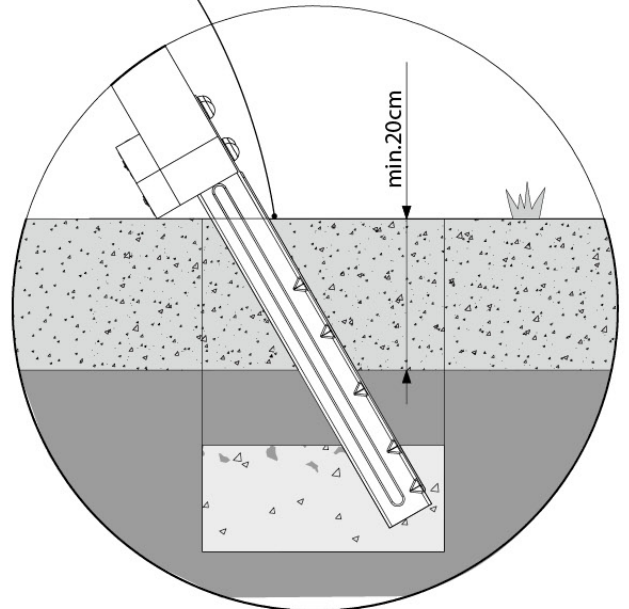
10\_460\_0619\_103\_26



Part 1



11.5a



15.6



**Polyethylene  
Slide**



15.7



**Stainless Steel  
Slide**



15.8



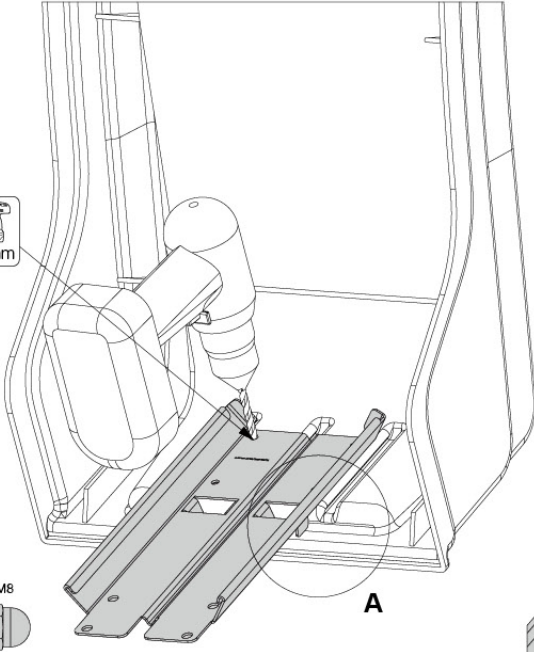
# 15.7a

2x

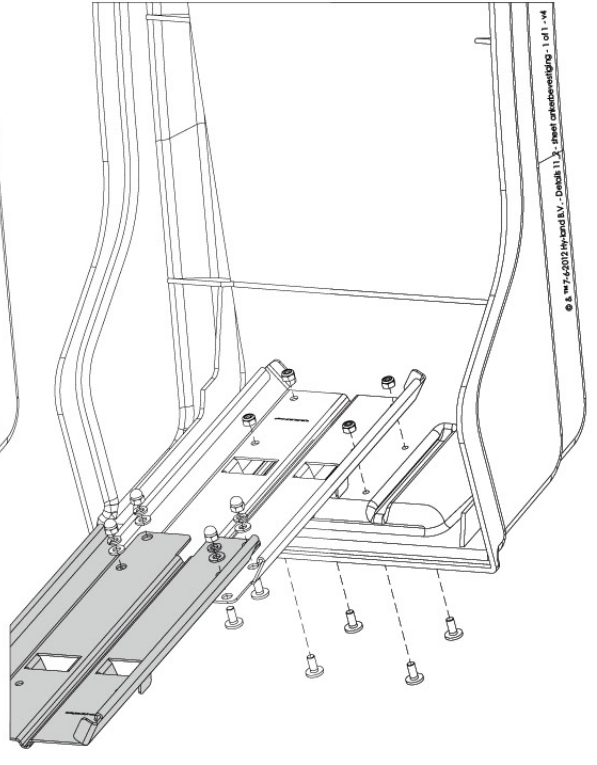


10\_032\_5012\_425\_01

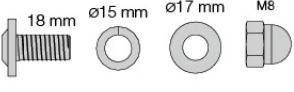
4x



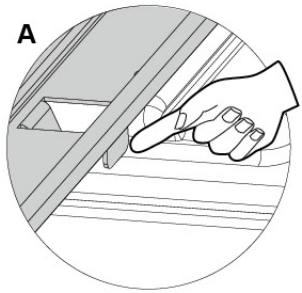
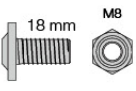
A



4x



4x



# 15.7b

4x



1x

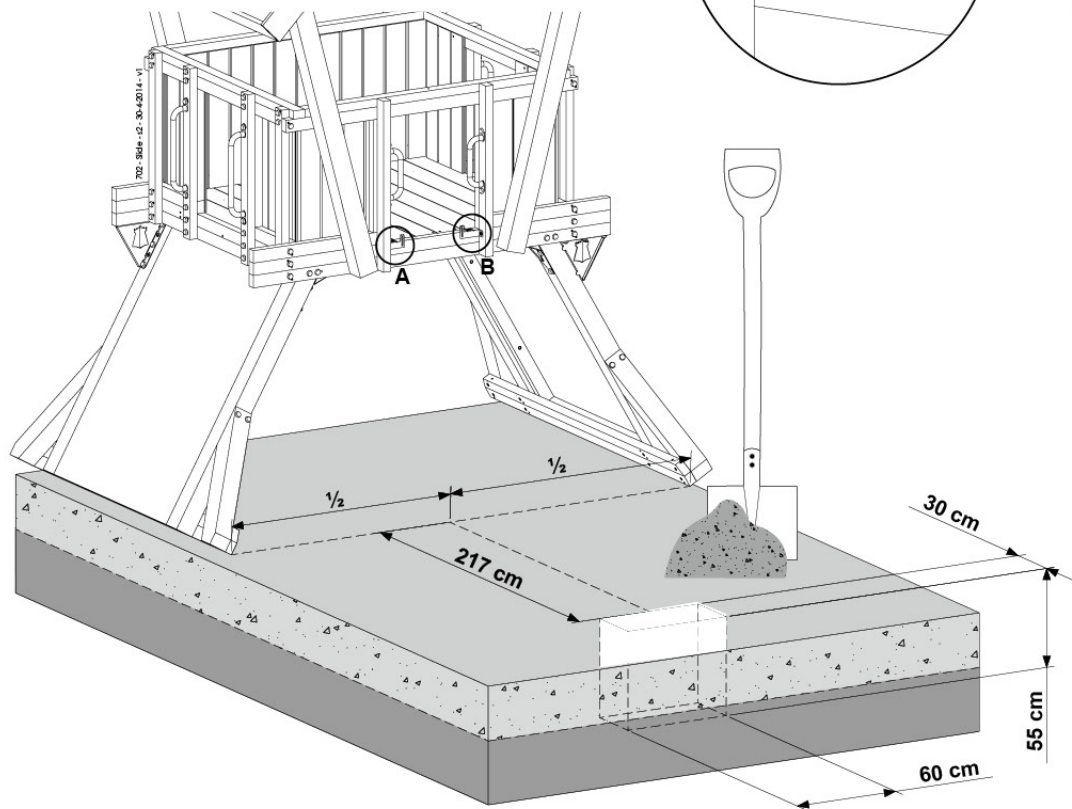
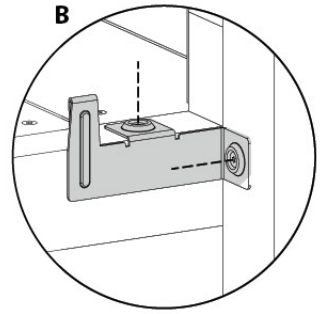
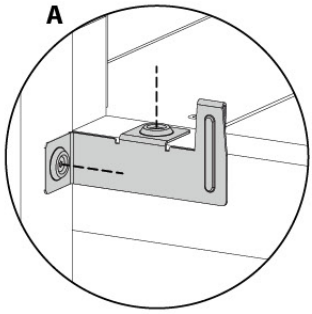


10\_030\_5042\_116\_04

1x



10\_030\_5042\_216\_04



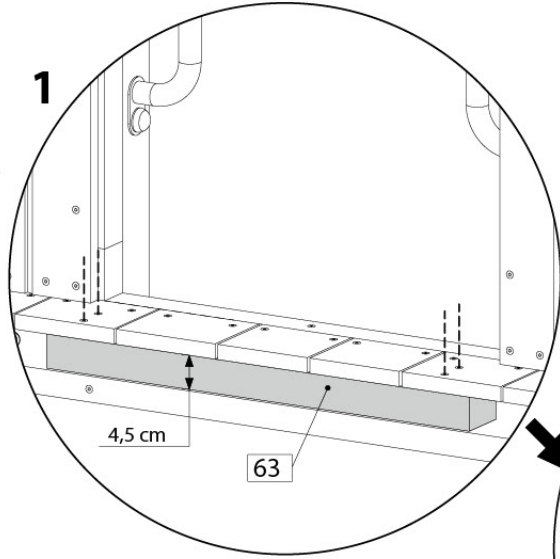
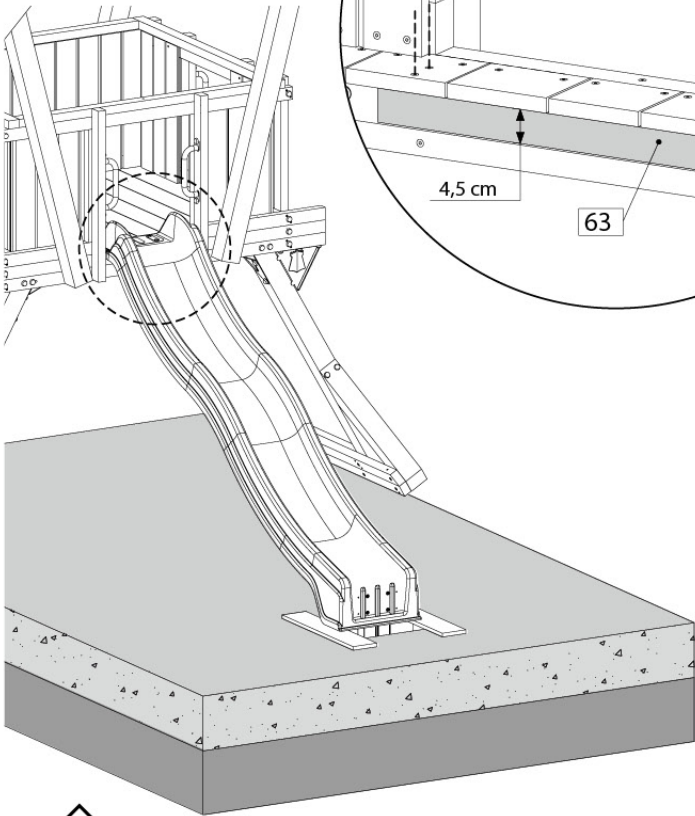
**15.7c**

4x 45 mm

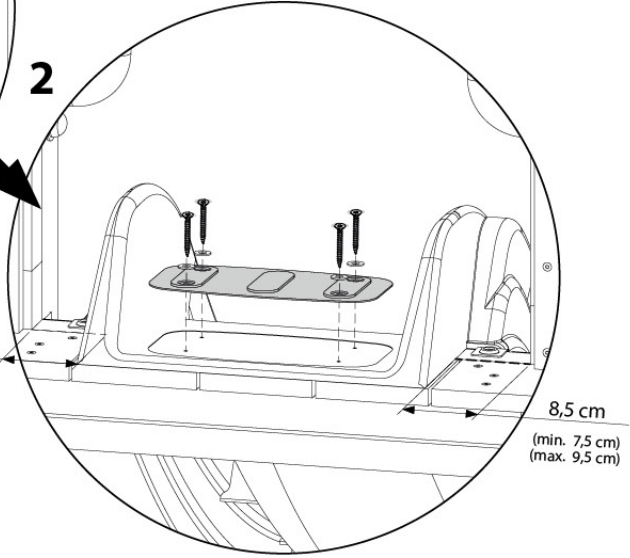
1

4x 45 mm  $\varnothing 18$  mm

1x 10\_026\_5041\_215\_01



2

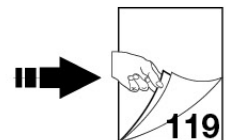
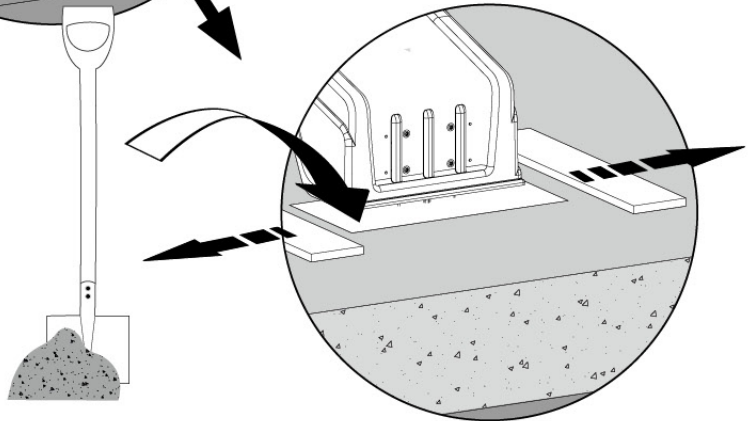
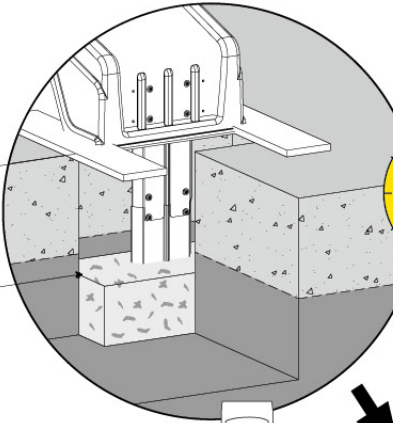
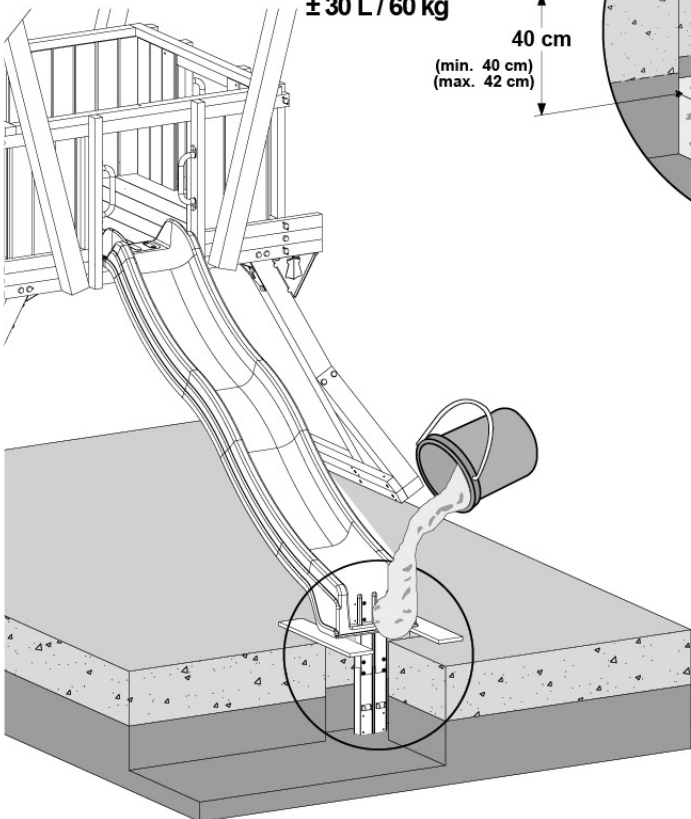
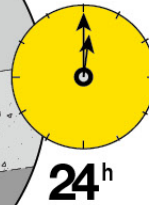


**15.7d**



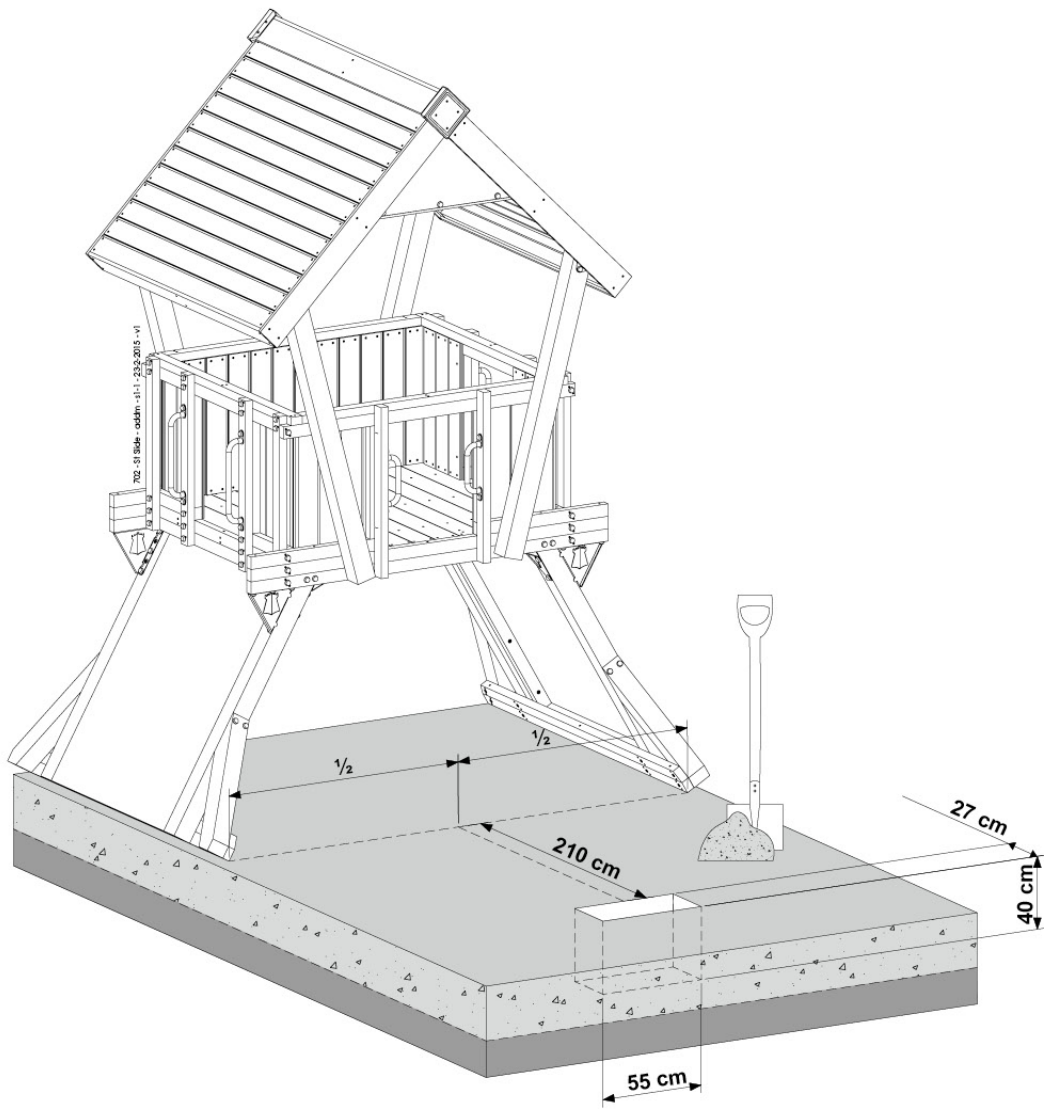
± 30 L / 60 kg

40 cm  
(min. 40 cm)  
(max. 42 cm)



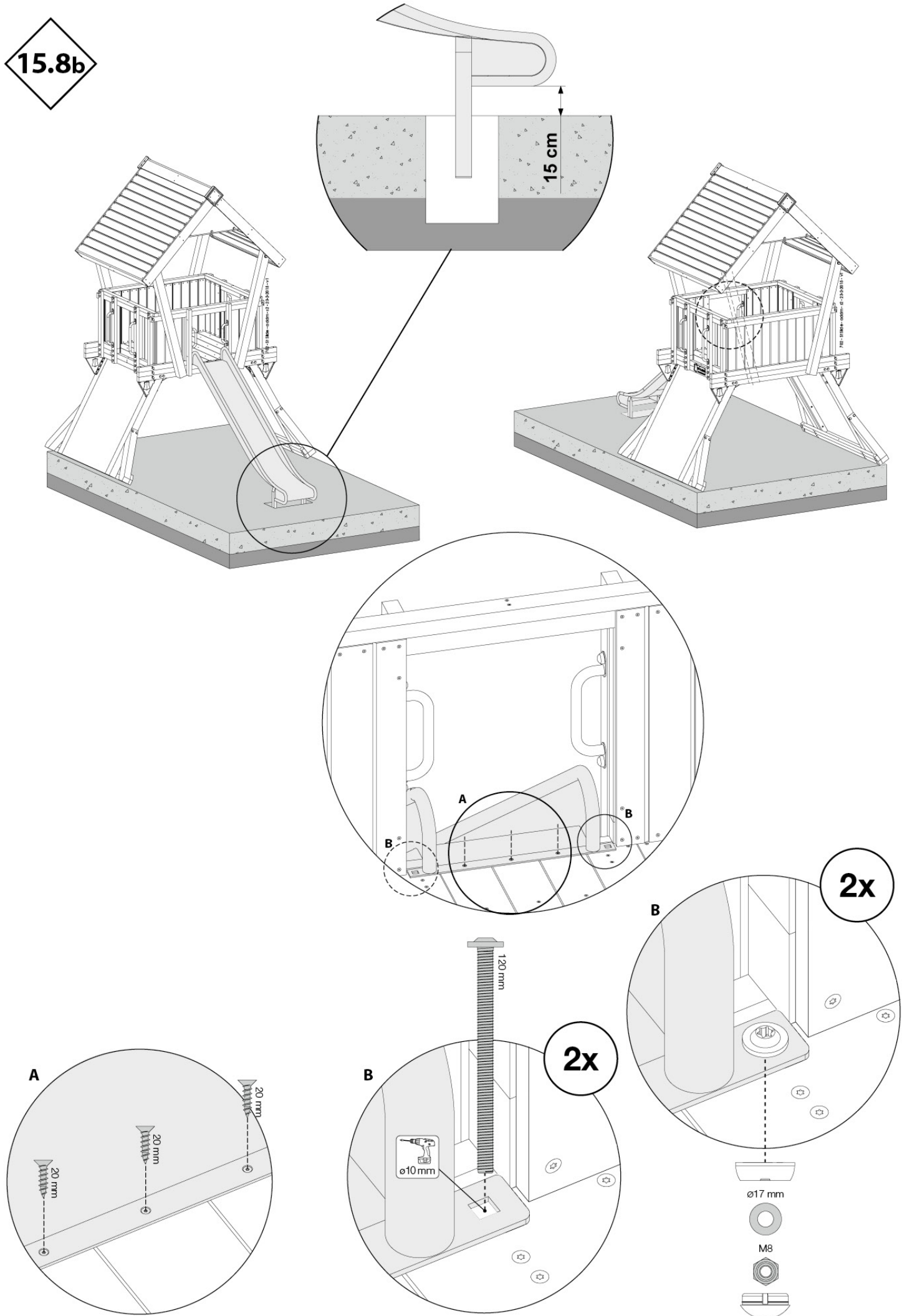
**16**

15.8a



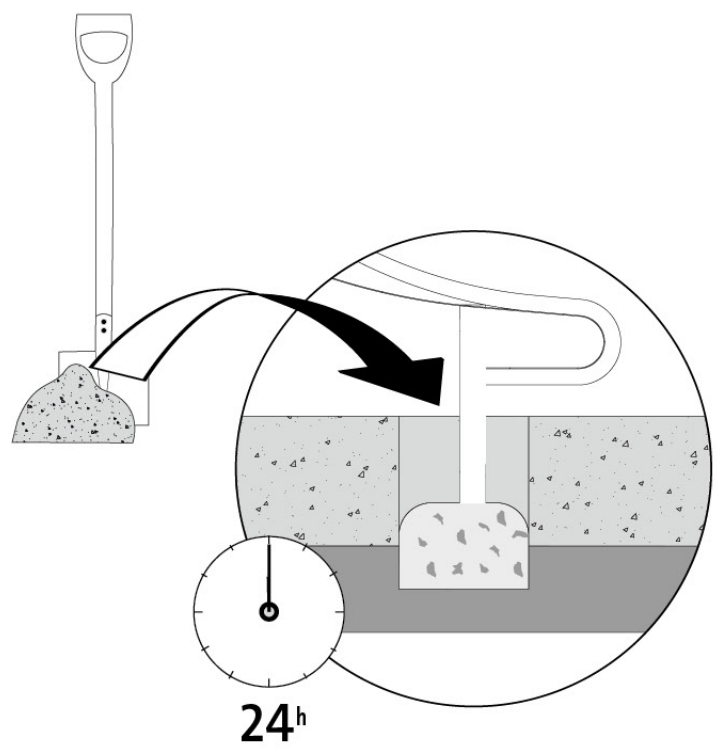
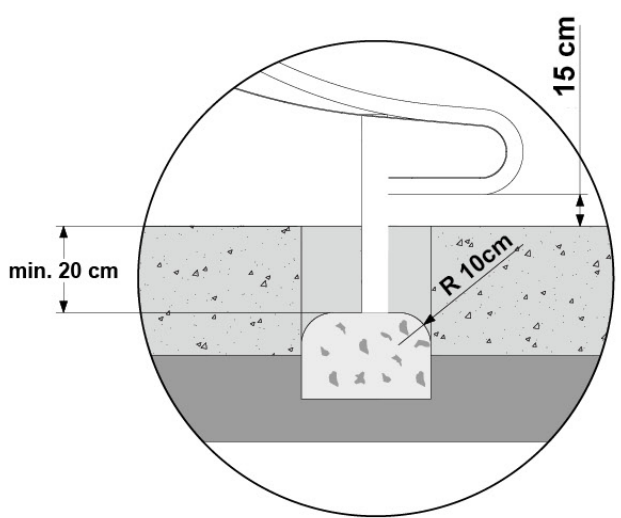
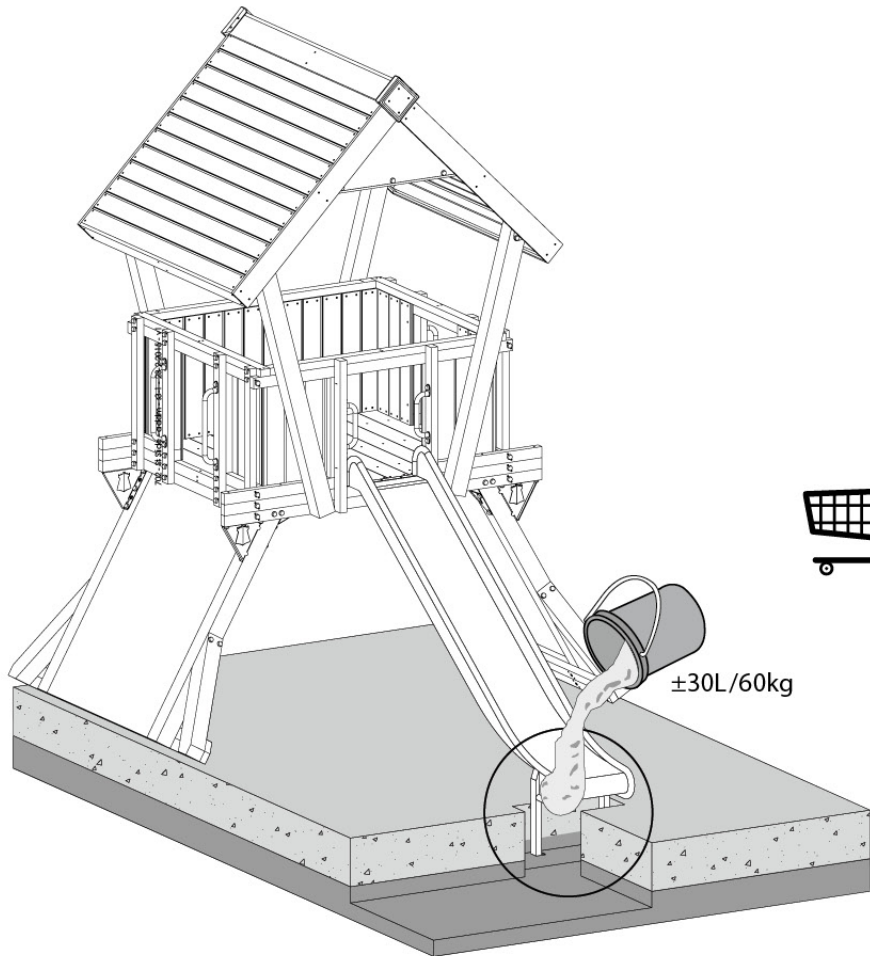


**15.8b**

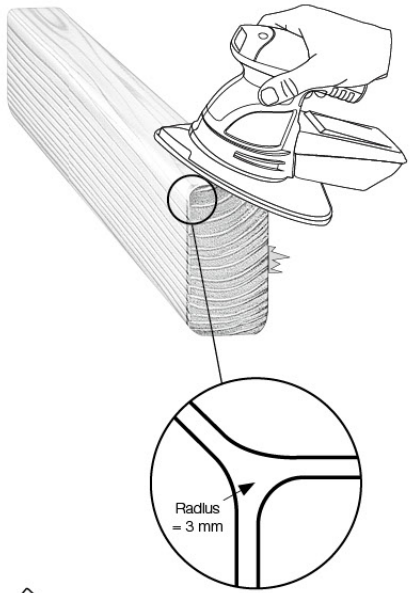
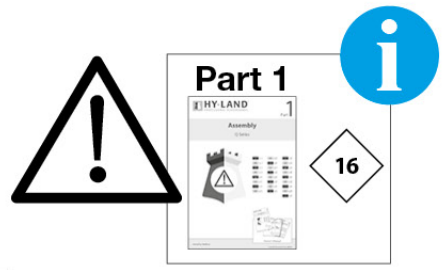
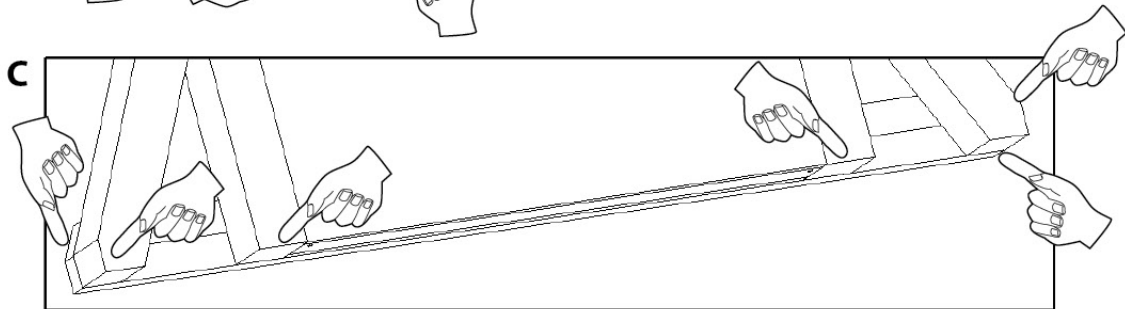
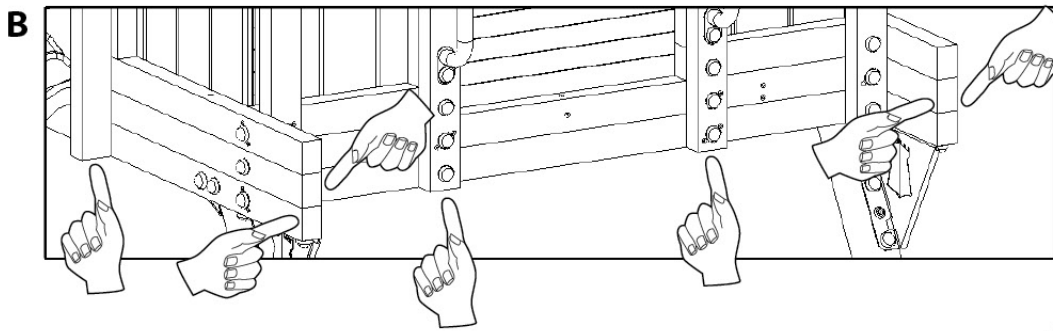
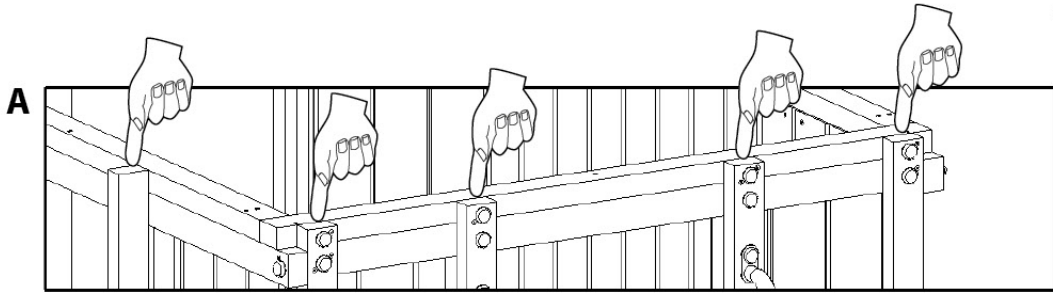
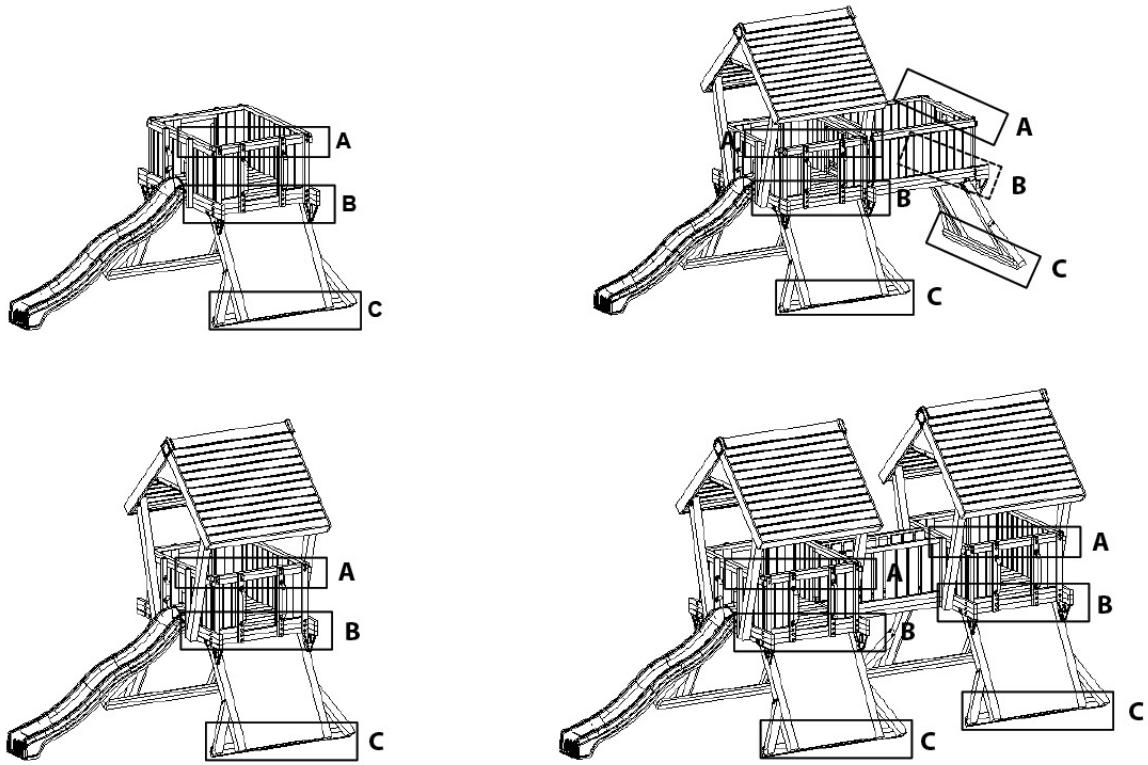




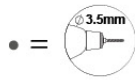
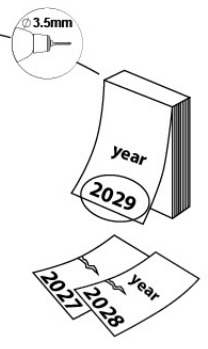
15.8c



16.1



16.2a

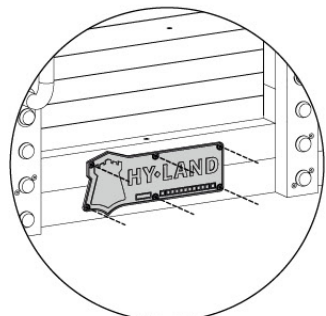


Example Project

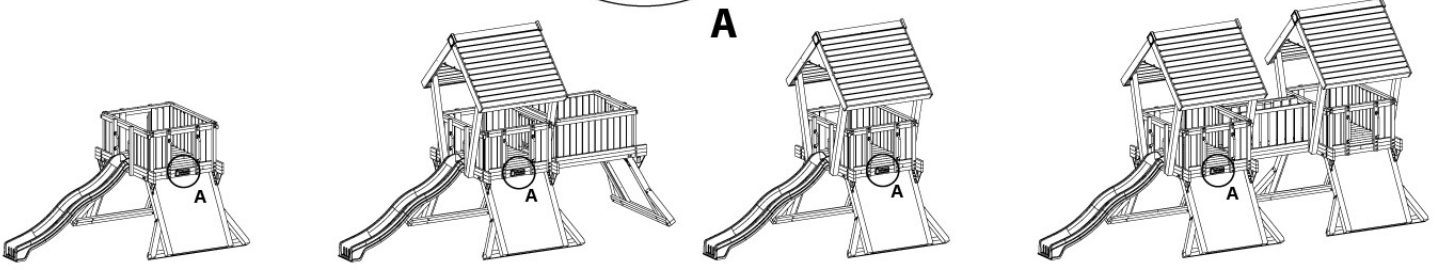


16.2b

- 6x 19 mm
  - 1x HY-LAND
- 10\_209\_2071\_103\_24

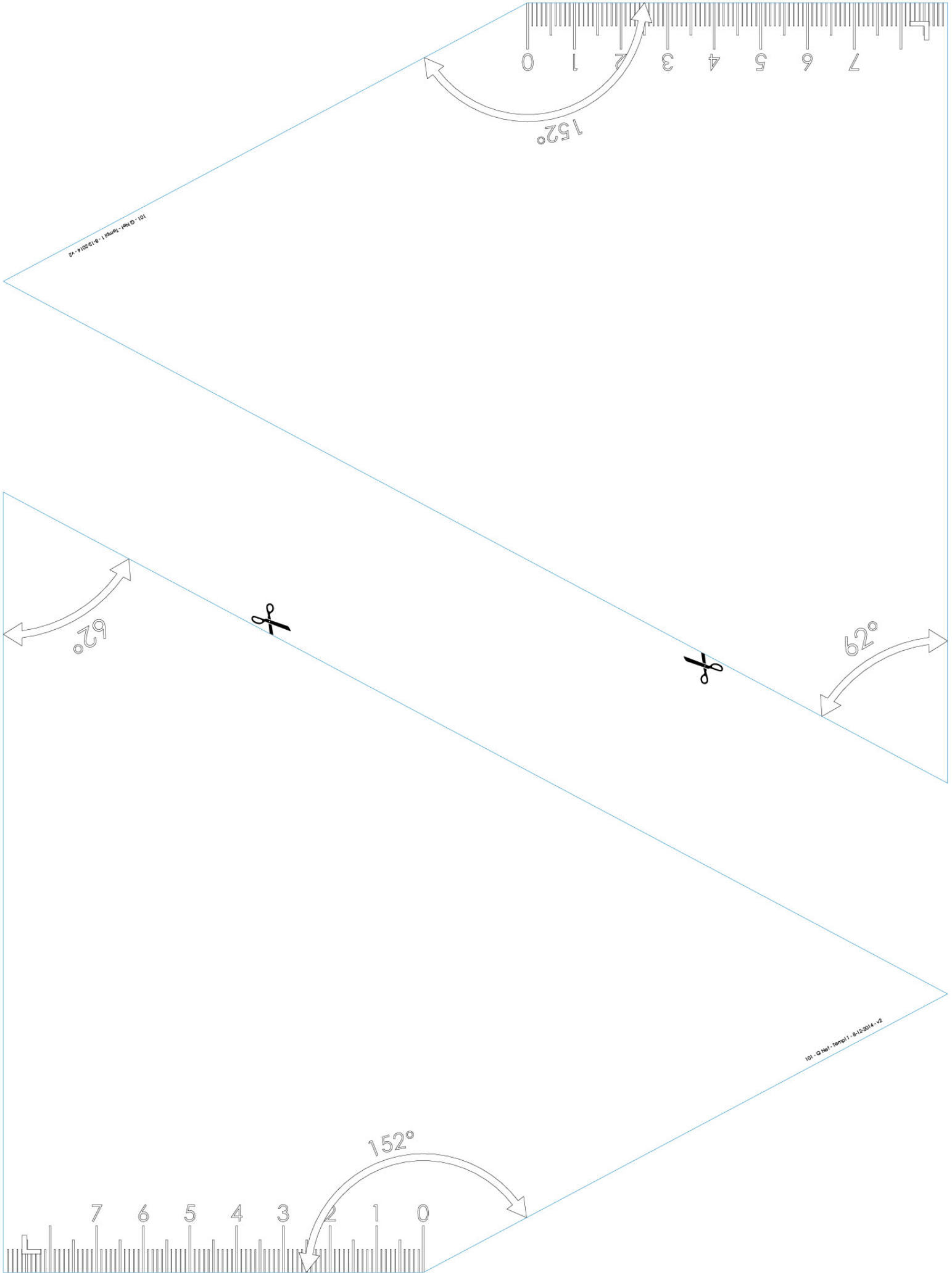


A



16.2c



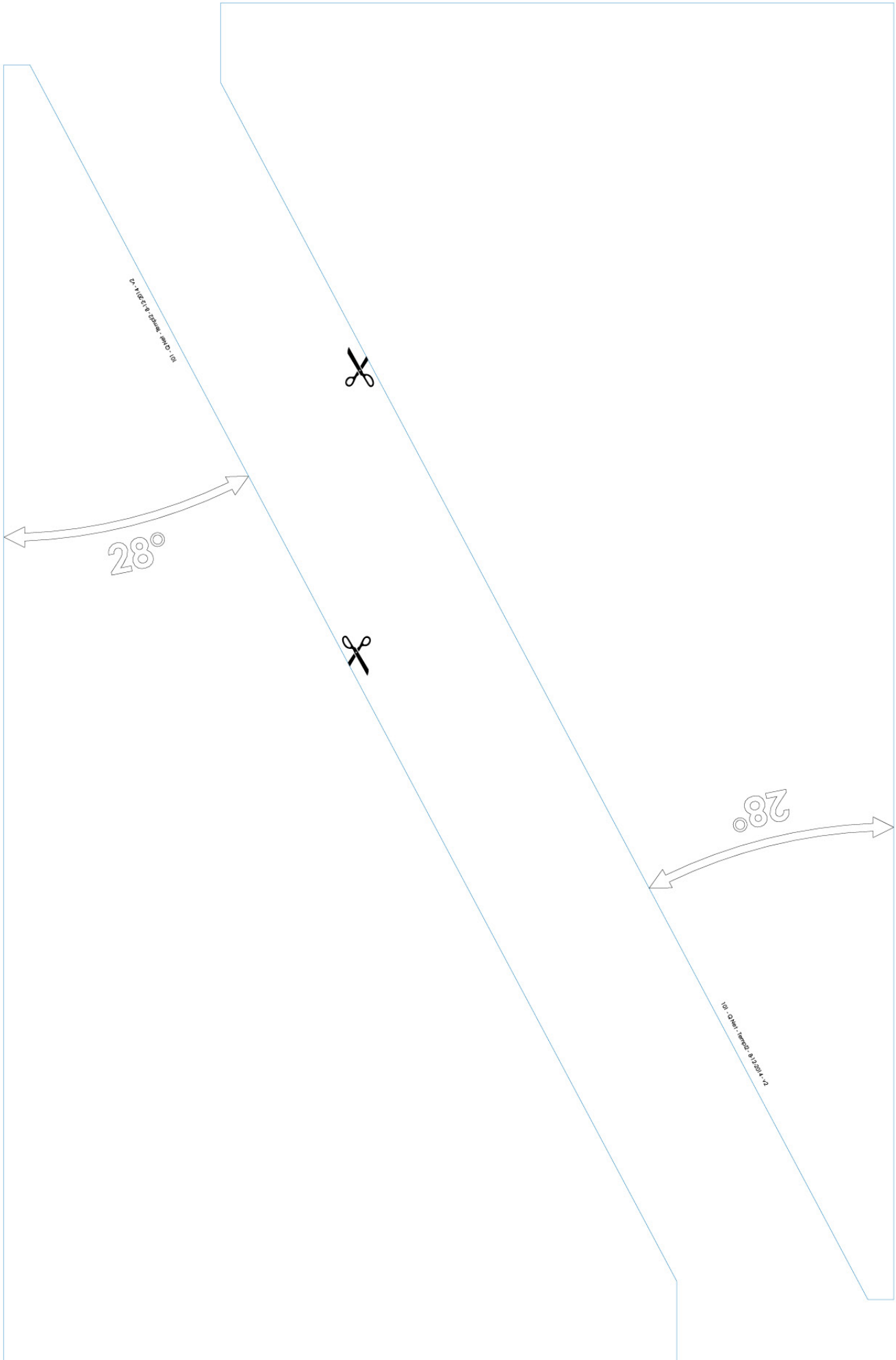


101 - G Net - Temp 1 - 8-12-2014 - v2

101 - G Net - Temp 1 - 8-12-2014 - v2







Hy-land B.V.  
Valschermkade 18  
NL - 1059 CD Amsterdam  
The Netherlands

Tel : +31 85 444 41 01  
Email : [info@hy-land.eu](mailto:info@hy-land.eu)  
URL : [www.hy-land.eu](http://www.hy-land.eu)

Chamber of Commerce :  
NL 16.078.319

10\_460\_0019\_105\_26\_0802\_AS\_Part\_3\_Q - 20240927

