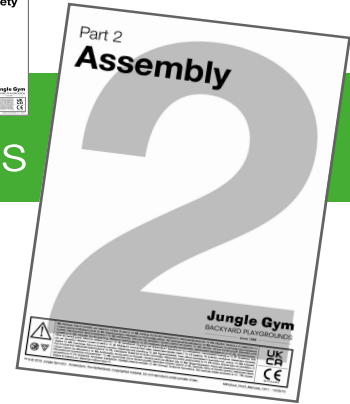


# Part 2

# Assembly

## Instructions



Config ID: h4FPYi

Date: 2023-05-24



Manual Part 1

### Important

This assembly manual should always be read in conjunction with the General Safety manual part 1 as included in the hardware package of your playground equipment. Please read these safety instructions carefully before starting the assembly work.

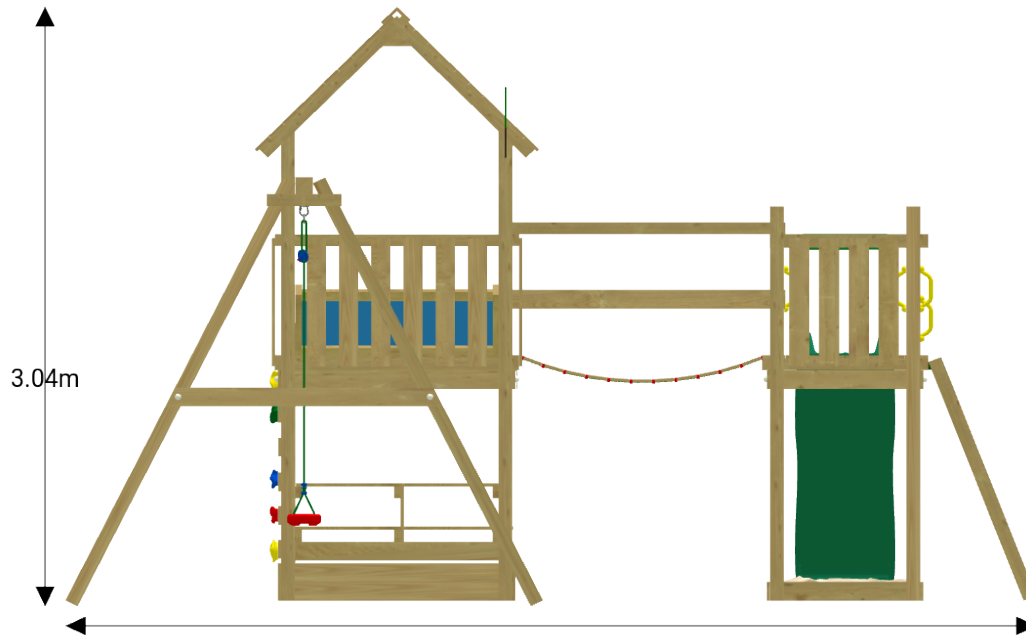
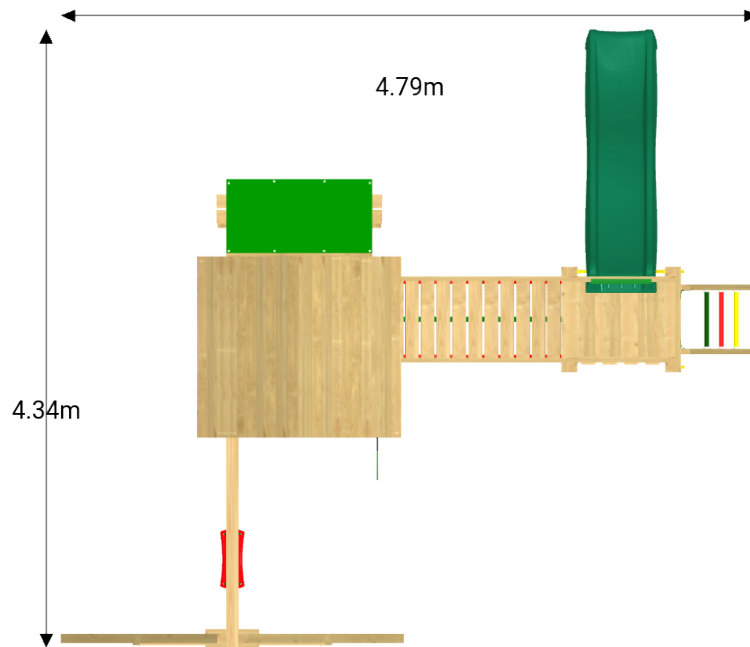
# Jungle Gym

## BACKYARD PLAYGROUNDS

since 1988

	<p><b>EN.</b> Warnings. Only for domestic use. Maximum number of users is 4. <b>DE.</b> Achtung. Nur für den Hausgebrauch. Maximale Benutzerzahl: 4. <b>FR.</b> Attention. Réserve à un usage privé. Le nombre maximal d'utilisateurs est de 4. <b>NL.</b> Waarschuwingen. Uitsluitend voor huishoudelijk gebruik. Het maximale aantal gebruikers is 4. <b>BG.</b> Внимание. За употреба само в домашни условия. Максималният брой потребители е 4. <b>ES.</b> Advertencias. Sólo para uso doméstico. Número máximo de usuarios: 4. <b>CS.</b> Varování. Jen pro domácí použití. Maximální počet uživatelů je 4. <b>DA.</b> Advarsler. Kun til privat brug. Maksimum antal brugere er 4. <b>ET.</b> Hoiatused. Ainult koduseks kasutamiseks. Maksimaalne kasutajate arv on 4. <b>EL.</b> Προειδοποιήσεις. Μόνο για οικιακή χρήση. Μέγιστος αριθμός χρηστών 4. <b>IS.</b> Varnaðarorð. Eingöngu fyrir einkanotkun í heimahúsum og á einkaloðum. Hámarksfjöldi notenda er 4. <b>IT.</b> Avvertenze. Solo per uso domestico. Massimo numero di utenti è 4. <b>LV.</b> Brīdinājumi. Izmantot tikai mājās. Maksimālais lietotāju skaits ir 4. <b>LT.</b> Įspėjimai. Tik buitiniam naudojimui. Maksimalus naudotojų skaičius HR. Upozorenja. Samo za kućansku uporabu. Maksimalan broj korisnika je 4. <b>HU.</b> Figyelmeztetések. Csak otthoni használatra! A használók max. száma: 4. <b>NO.</b> Advarsler. Kun for privat bruk. Maksimalt antall brukere er 4. <b>PL.</b> Ostrzeżenia. Wyłącznie do użytku domowego. Maksymalna liczba użytkowników to 4. <b>PT.</b> Avisos. Apenas para uso doméstico. O número máximo de utilizadores é 4. <b>RO.</b> Avertismente. Numai pentru uz domestic. Numărul maxim de utilizatori este 4. <b>RU.</b> Предостережения. Только для домашнего использования. Максимальное количество пользователей - 4. <b>SK.</b> Upozornenia. Iba na domáce použitie. Maximálne množstvo osôb je 4. <b>SL.</b> Opozorila. Samo za domačo uporabo. Maksimalno število uporabnikov je 4. <b>FI.</b> Varoitukset. Ainoastaan kotikäyttöön. Käyttäjää yhteensä enintään 4. <b>SR.</b> Upozorenja. Samo za kućnu upotrebu. Maksimalan broj korisnika je 4. <b>SV.</b> Varningar. Endast för hemmabruk. Det maximala antalet användare är 4. <b>TR.</b> Uyarılar. Sadece ev kullanımı için. Maksimum kullanıcı sayısı 8.</p>	
	<p>EN 71-1-2-3-8&amp;-9</p>	

# 1 Views

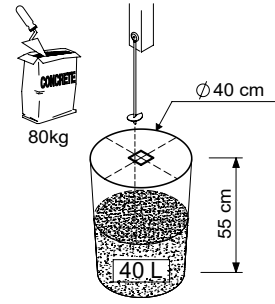
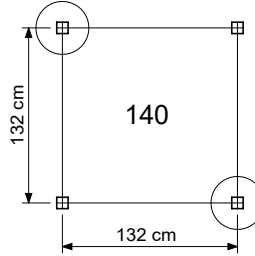
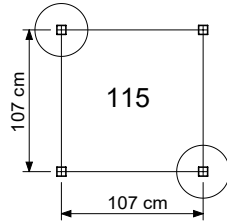
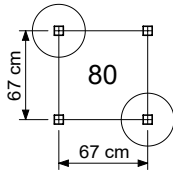
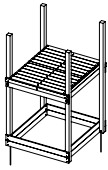


## 2 Order list

Nr.	SKU	Description	ID	Amount
1	790_001	Base Tower 80_200200	BT01	1
2	792_002	Base Tower 115_240240	BT11	1
3	792_202	Roof Club 115	RF08	1
4	790_301	Balustrade 80	BL01	1
5	792_301	Balustrade 115	BL03	2
6	792_401	Rock wall 115_125	RW07	1
7	790_431	Ladder 80_125	LA02	1
8	792_503	Picnic 115	PC05	1
9	790_601	Bridge 80	CB01	1
10	792_602	Bridge Frame 115	BF04	1
11	790_901	Slide 80	SL01	1
12	757_153	1- Swing Module 220	SW09	1
13	194_119	AP Accessory set	AC01	1
14	250_034	Swing Seat Kit • Red	AC21	1
15	324_x00	Wavy Star Slide XL	324_x00	1

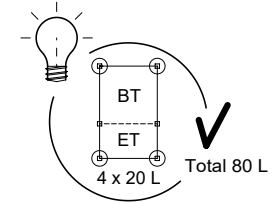
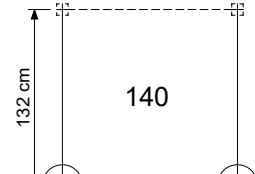
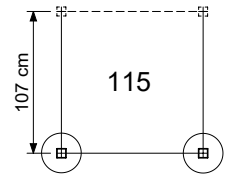
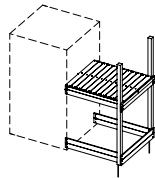
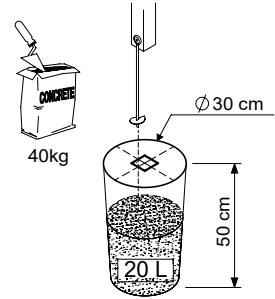
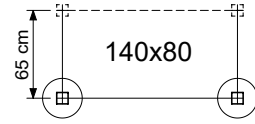
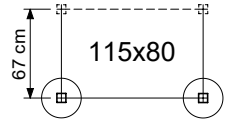
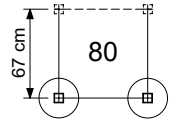
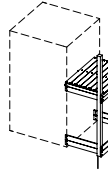
# 3 Anchor Plan

BASE TOWERS

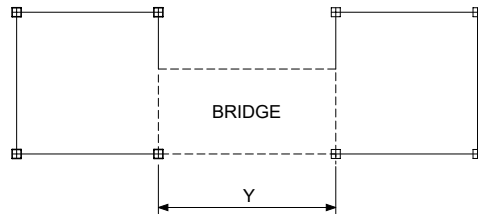
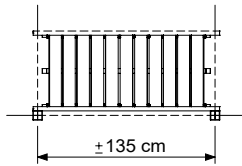
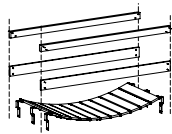


Ground Anchors Unit - P01 - 14/04/2023 - v1.1

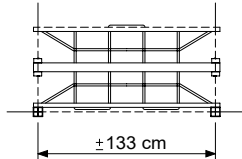
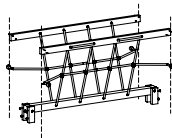
EXTENSION TOWERS



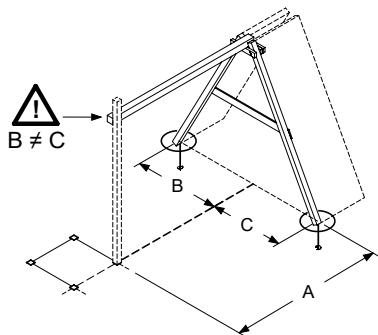
CLATTER BRIDGE



NET BRIDGE

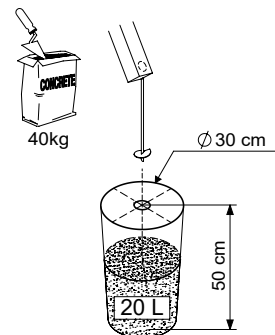


SWING / CLIMB MODULE

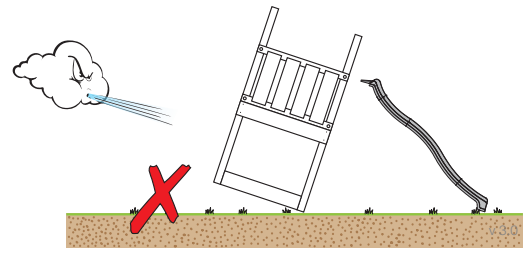
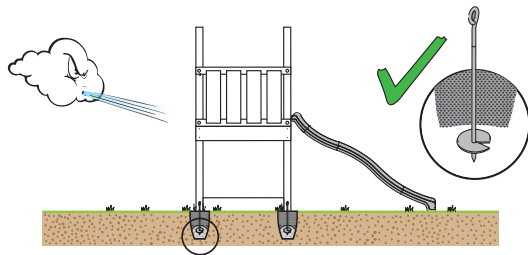
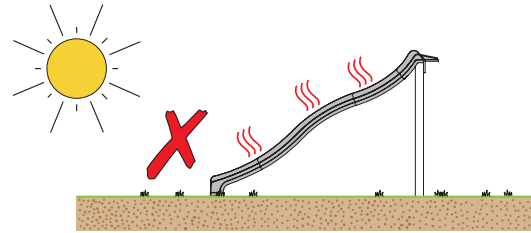
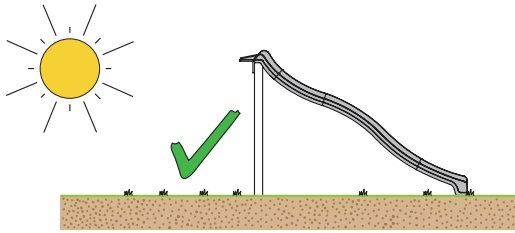
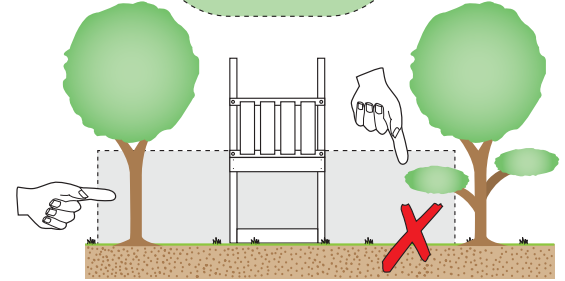
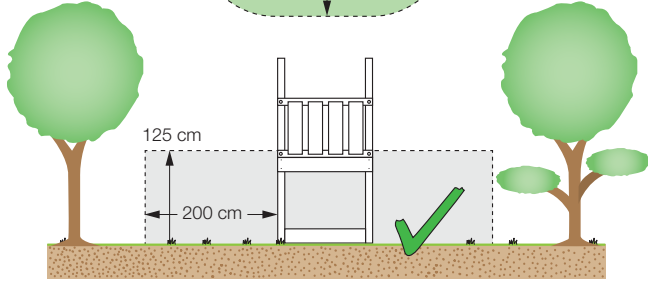
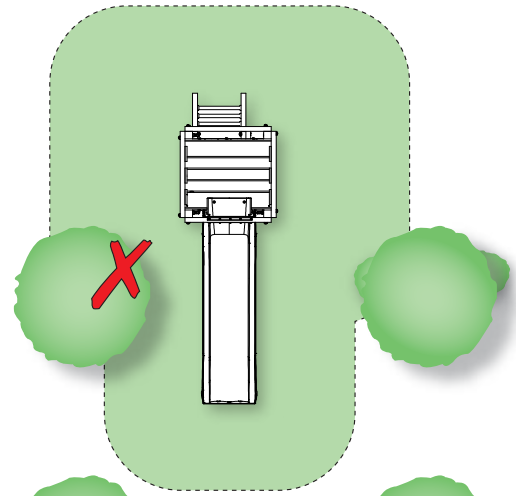
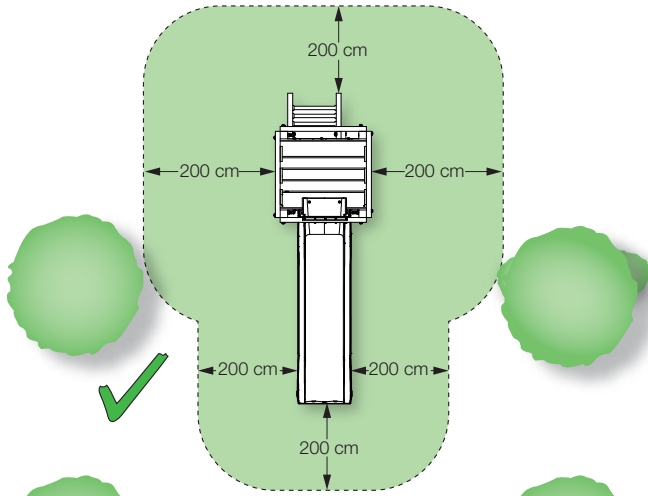
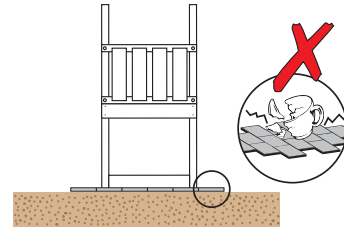
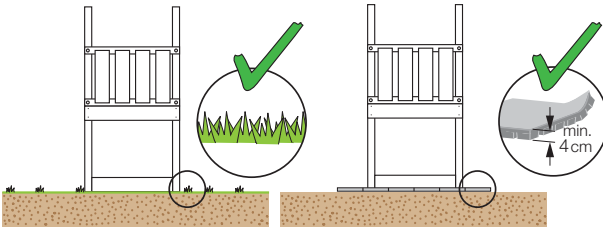
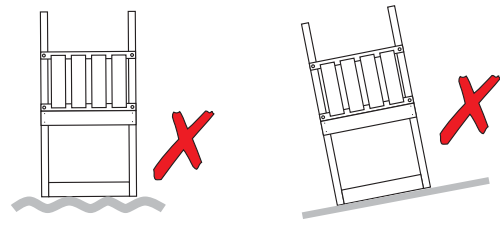
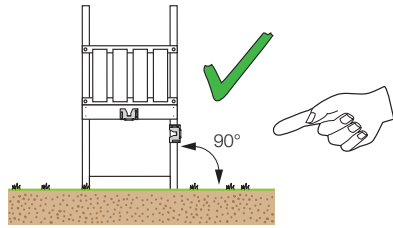


Module type	A	B	C
1-Swing 200	150	115	100
1-Swing 220 / 220 Extra		120	105
2-Swing 200	210	115	100
2-Climb 200			
1-Climb 200	142	120	105
1-Climb 220 / 220 Extra	162		
2-Swing 220 / 220 Extra	230	120	105
2-Climb 220 / 220 Extra			

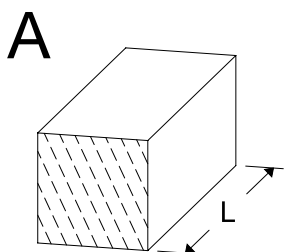
Ground Anchors Unit - P02 - 14/04/2023 - v1.1



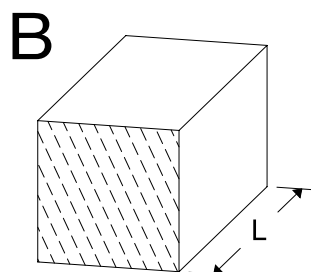
### 3.1 Safe Playground



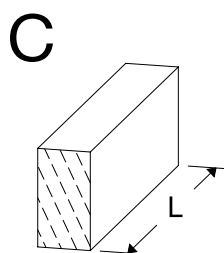
## 4 Timber parts



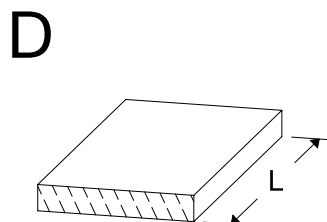
ID	L	#
A200	199 cm - 200 cm	4
A240	239 cm - 240 cm	6



B160	159 cm - 160 cm	1
------	-----------------	---

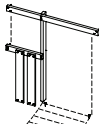
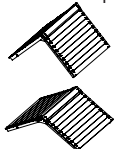




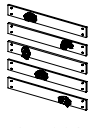
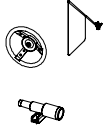
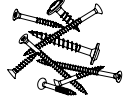
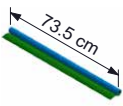
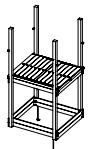

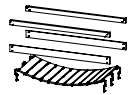

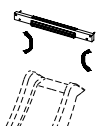



C37	36 cm - 37 cm	5
C56	55 cm - 56 cm	1
C74	73 cm - 74 cm	9
C84	83 cm - 84 cm	3
C90	89 cm - 90 cm	2
C96	85 cm - 96 cm	2
C114	113 cm - 114 cm	9
C130	129 cm - 130 cm	2
C141	140 cm - 141 cm	5
C186	185 cm - 186 cm	1



D47	46 cm - 47 cm	1
D60	59 cm - 60 cm	22
D65	64 cm - 65 cm	27
D74	73 cm - 74 cm	8
D100	99 cm - 100 cm	20
D114	113 cm - 114 cm	17
D127	126 cm - 127 cm	24
D141	140 cm - 141 cm	4

## 5 Assembly packs & accessories

<p>Bridge Frame</p>  <p><b>BF</b></p> <p>194_007</p> <p><b>1x</b></p>	<p>Roof Timber 115</p>  <p><b>RF</b></p> <p>194_308</p> <p><b>1x</b></p>	<p>Slide 2.2m</p>  <p><b>324_x00</b></p> <p><b>1x</b></p>	<p>Balustrade 80</p>  <p><b>BL</b></p> <p>194_101</p> <p><b>2x</b></p>	<p>Ladder 80 125</p>  <p><b>LA</b></p> <p>194_103</p> <p><b>1x</b></p>
<p>Swing Seat</p>  <p><b>AC</b></p> <p>250_034</p> <p><b>1x</b></p>	<p>Rock Wall</p>  <p><b>RW</b></p> <p>194_006</p> <p><b>1x</b></p>	<p>Accessory Set</p>  <p><b>AC</b></p> <p>194_119</p> <p><b>1x</b></p>	<p>Hardware 10</p>  <p><b>H10</b></p> <p>194_810</p> <p><b>1x</b></p>	<p>Canvas 136 x 74cm</p>  <p>73.5 cm</p> <p>123_220</p> <p><b>1x</b></p>
<p>Tower 115</p>  <p><b>BT</b> <b>ET</b></p> <p>194_300</p> <p><b>1x</b></p>	<p>Balustrade 140</p>  <p><b>BL</b></p> <p>194_501</p> <p><b>2x</b></p>	<p>Clatter Bridge</p>  <p><b>CB</b></p> <p>194_116</p> <p><b>1x</b></p>	<p>Tower 80</p>  <p><b>BT</b> <b>ET</b></p> <p>194_100</p> <p><b>1x</b></p>	<p>Slide Frame</p>  <p><b>SL</b></p> <p>194_107</p> <p><b>1x</b></p>
<p>Swing Frame Kit</p>  <p><b>SW</b></p> <p>457_102</p> <p><b>1x</b></p>				

# 6 Hardware Identification

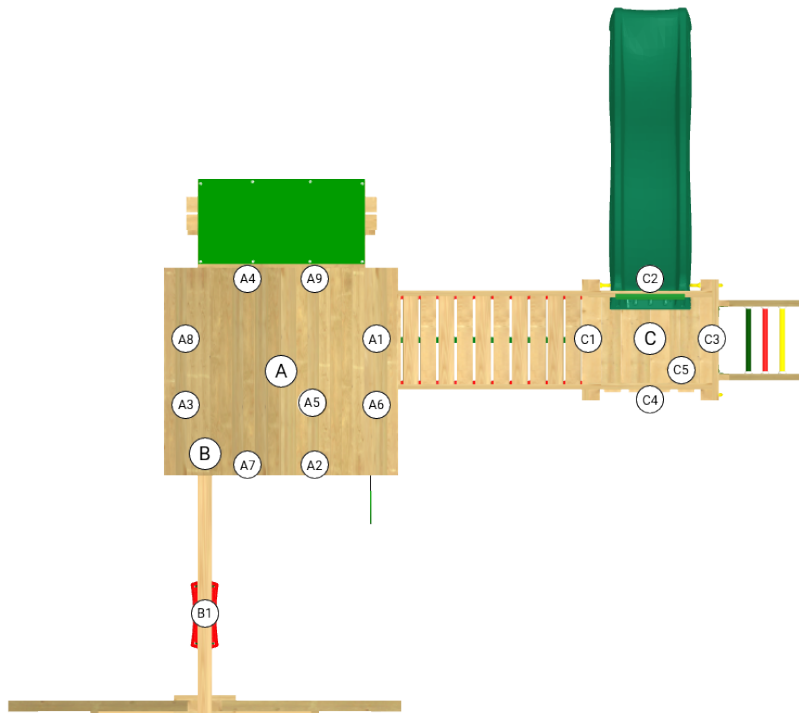
		L	
		000_101	20 mm
		001_102	30 mm
		001_404 001_406 001_411 001_417 001_422	30 mm 45 mm 60 mm 80 mm 137 mm
		002_036	16 mm
		002_041	20 mm
		002_042	13 mm
		002_301	40 mm

		L	
		002_308 002_219 002_220 002_223	20 mm 30 mm 45 mm 80 mm
		003_010	
		003_034	
		004_050	22mm
		022_845 022_846 022_847 022_848	Yellow Blue Green Red
		023_031	White
		120_005	White

output: 20/11/20



## 7 Assembly Planning



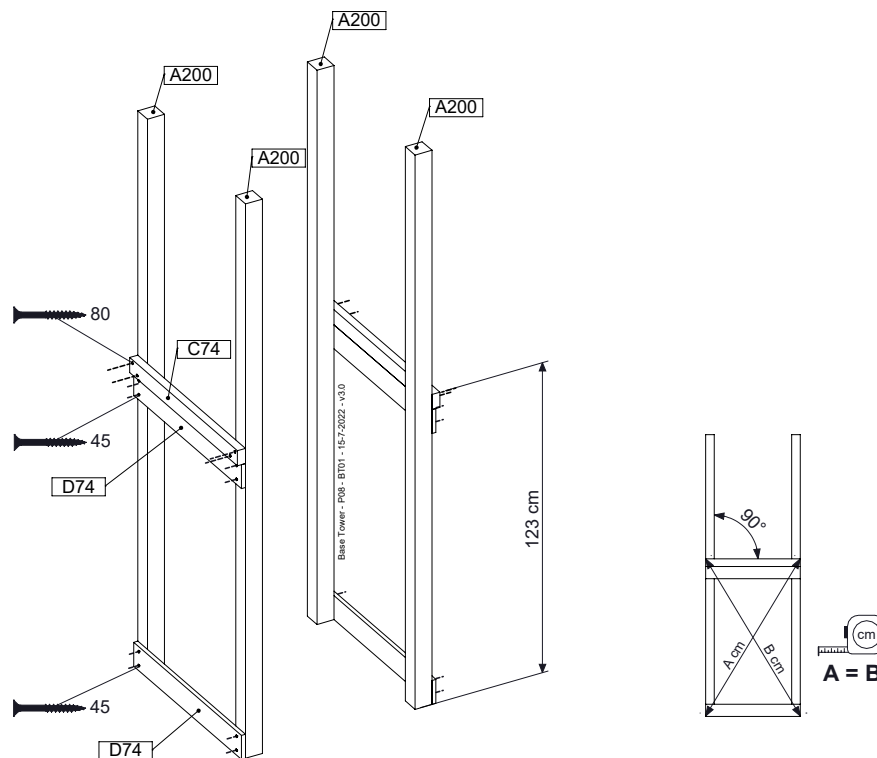
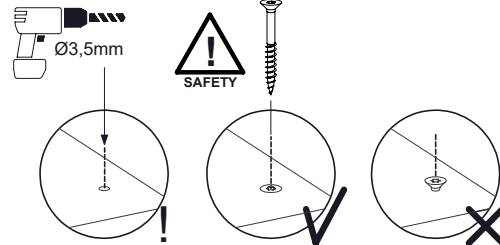
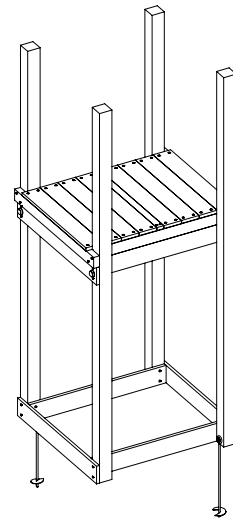
	ID			A	B	C
1	BT01		p.10	-	-	✓
2	BT11		p.12	✓	-	-
3	RW07		p.15	A8	-	-
4	BL01		p.18	-	-	C4
5	BL03		p.19	A7, A9	-	-
6	RF08		p.20	A5	-	-
7	CB01		p.28	A1	-	C1
8	BF04		p.26	A6	-	-
9	PC05		p.29	A4	-	-
10	LA02		p.33	-	-	C3
11	SW09		p.36	-	✓	-
12	SL01		p.43	-	-	C2
13	GA		p.45	✓	✓	✓
14	AC01		p.47	✓	-	-

# 8 BT01: Base tower 80 125cm 200200

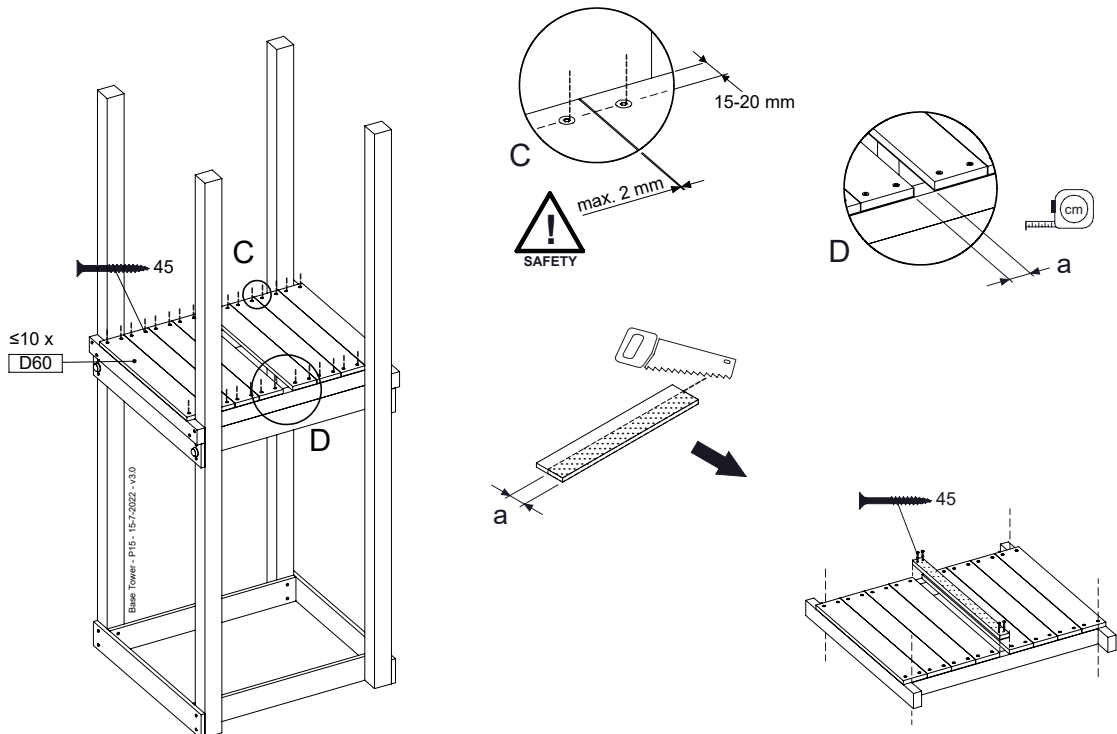
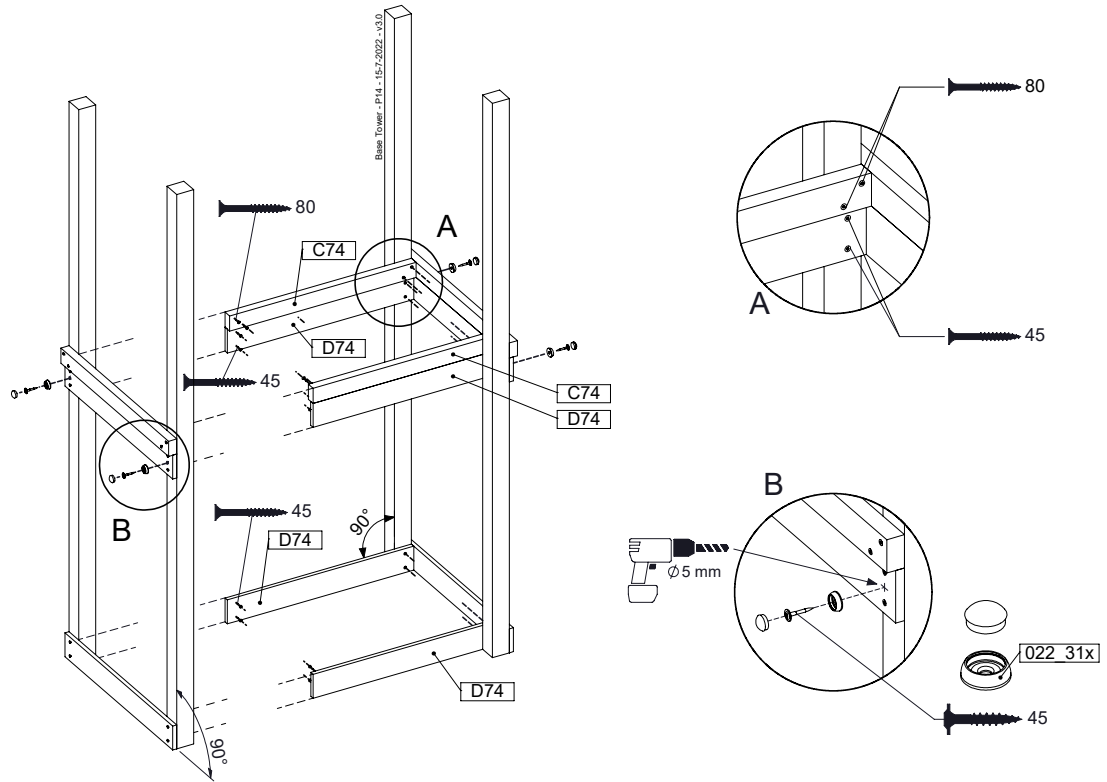
( 194\_100 )

	PartNo	PartName	QTY.
Hardware Pack 100_600	001_406	Stealth Screw 8x45	6
	002_220	Gap Point Screw T25 - 5x45	76
	002_223	Gap Point Screw T25 - 5x80	16
Other	007_001	Ground-anchor	2
Hardware Pack 100_600	022_31x	bpc-base version 3	4
	022_84x	bpc cover	4
Wood	A200	Post 70x70 L2000	4
	C74	Beam 740 mm	4
	D60	Board 600 mm	10
	D74	Board 740 mm	8

Base Tower - P02 - BT01 - 15-7-2022 - v3.0



# 8.1

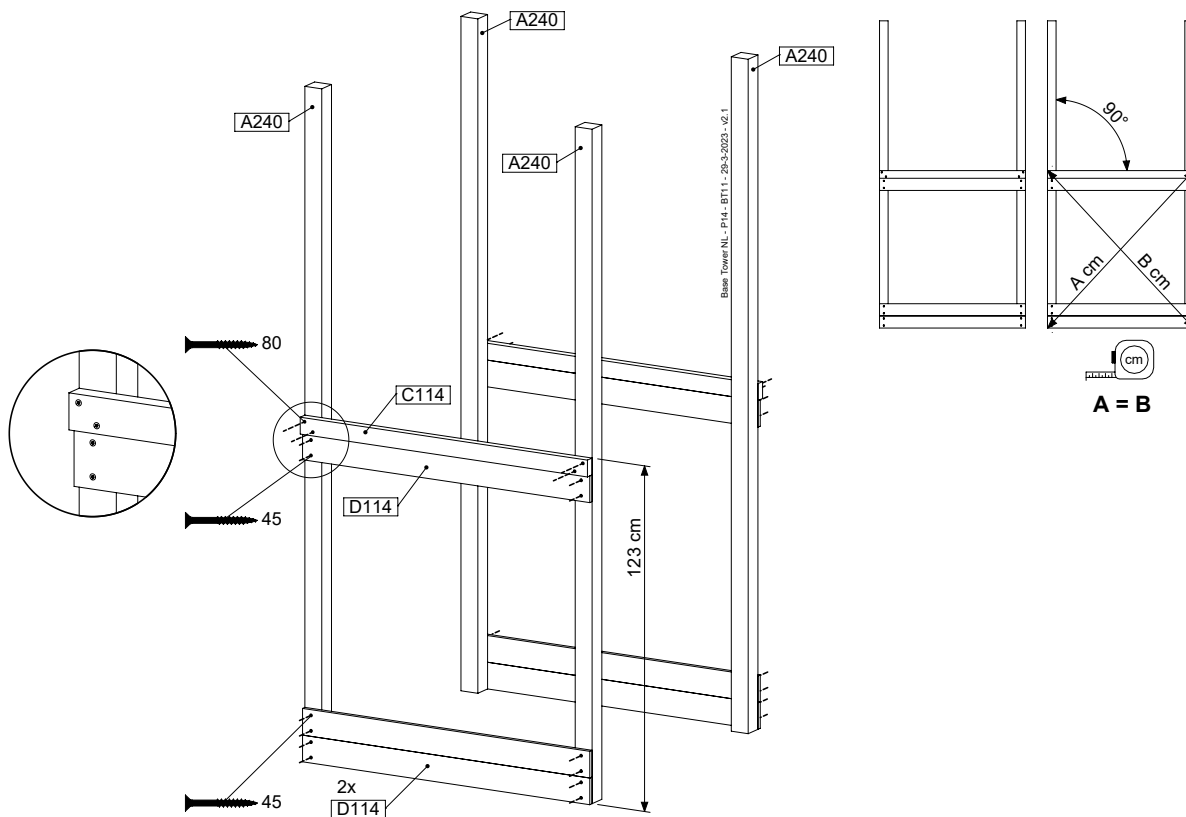
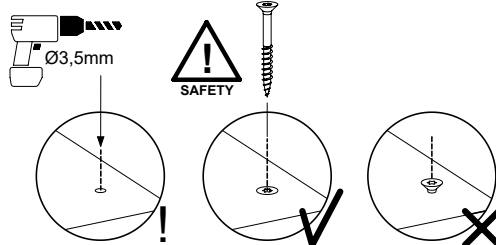
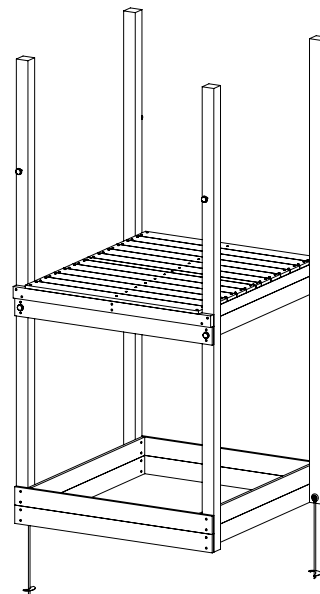


# 9 BT11: Base Tower 115 125cm 240240

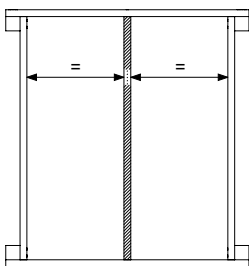
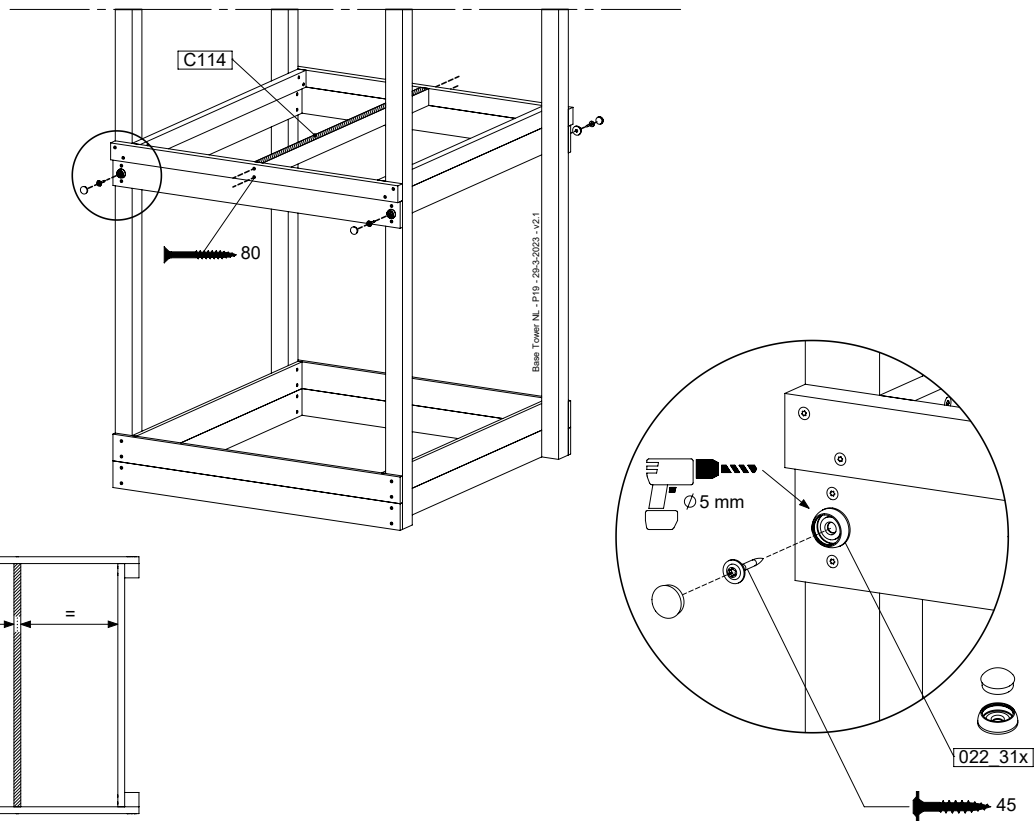
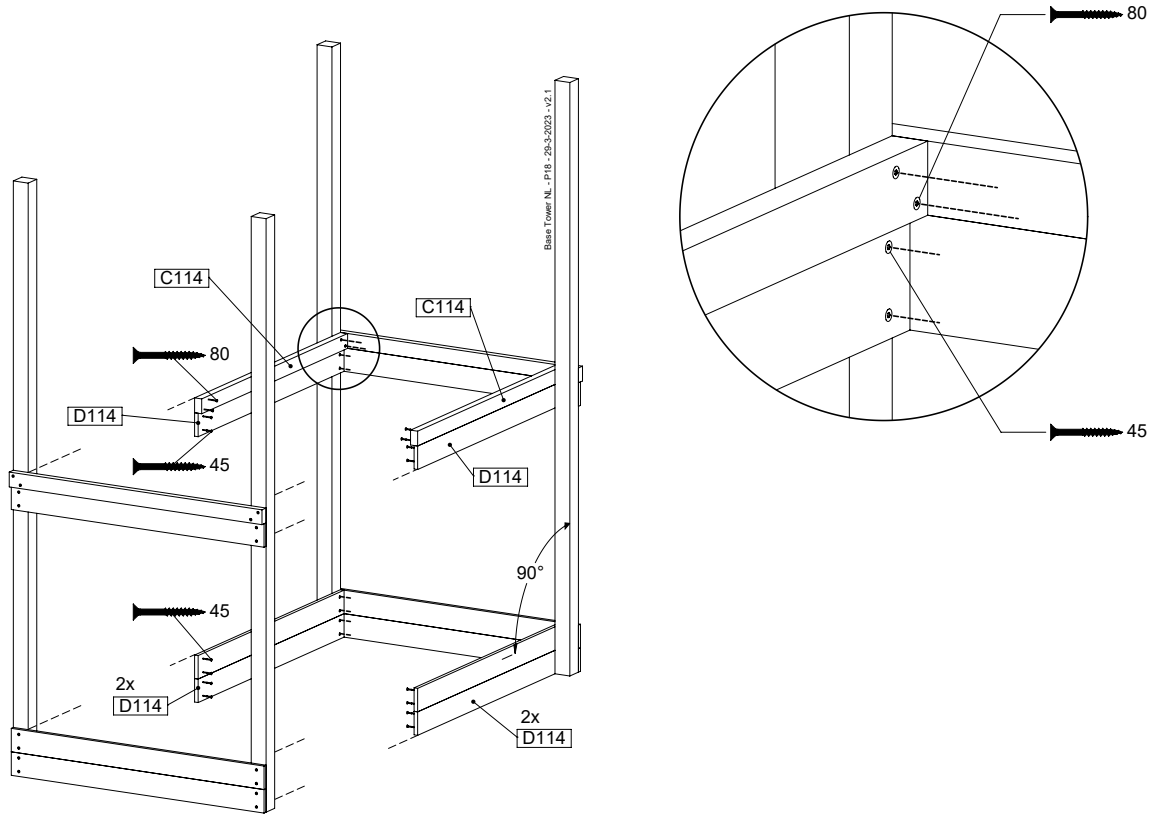
( 194\_300 )

	PartNo	PartName	QTY.
Hardware pack	001_406	Stealth Screw 8x45	6
	001_417	Stealth Screw 8x80	4
	002_220	Gap Point Screw T25 - 5x45	118
	002_223	Gap Point Screw T25 - 5x80	20
	022_31x	bpc-base version 3	8
	022_84x	bpc cover	8
Other	007_001	Ground-anchor	2
Timber	A240	Post 70x70 L2400	4
	C114	Beam 1140 mm	5
	D100	Board 1000 mm	14
	D114	Board 1140 mm	12

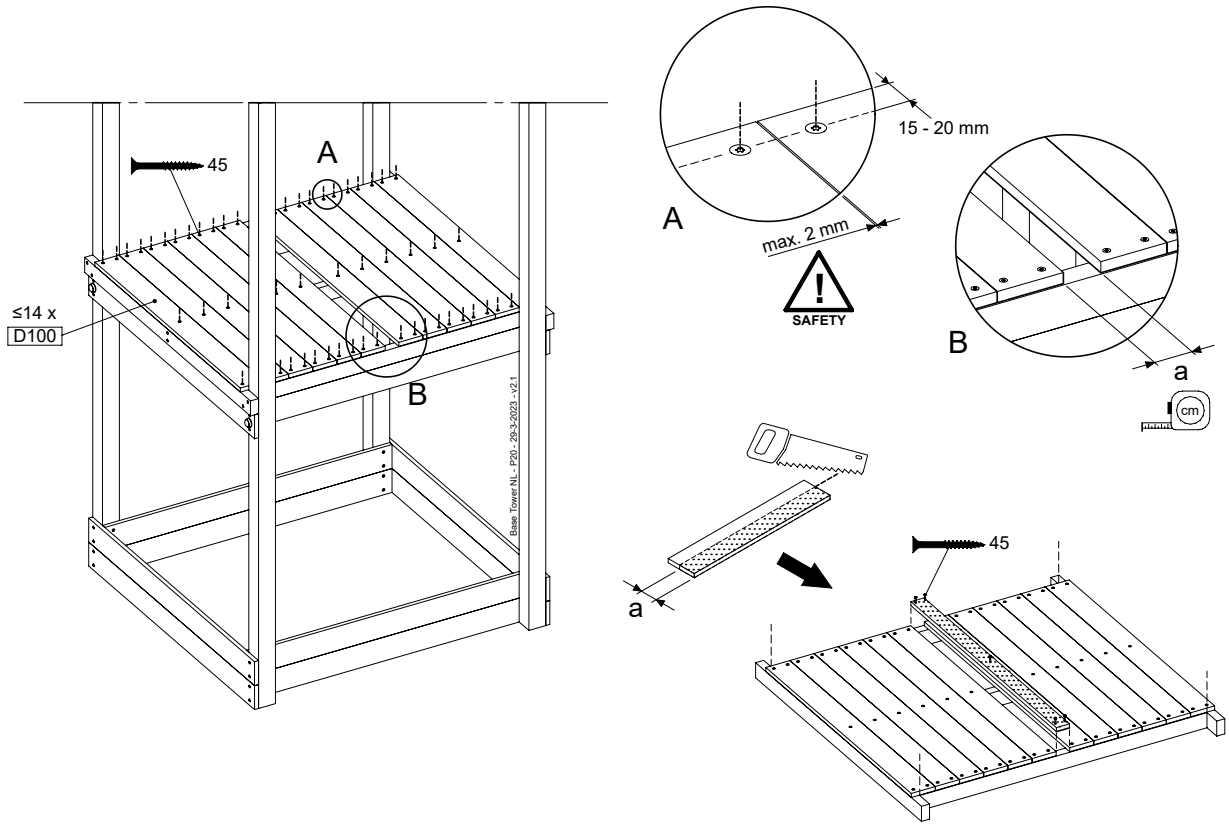
Base Tower NL - P06 - BT11 - 25-3-2023 - v2.1



# 9.1



## 9.2

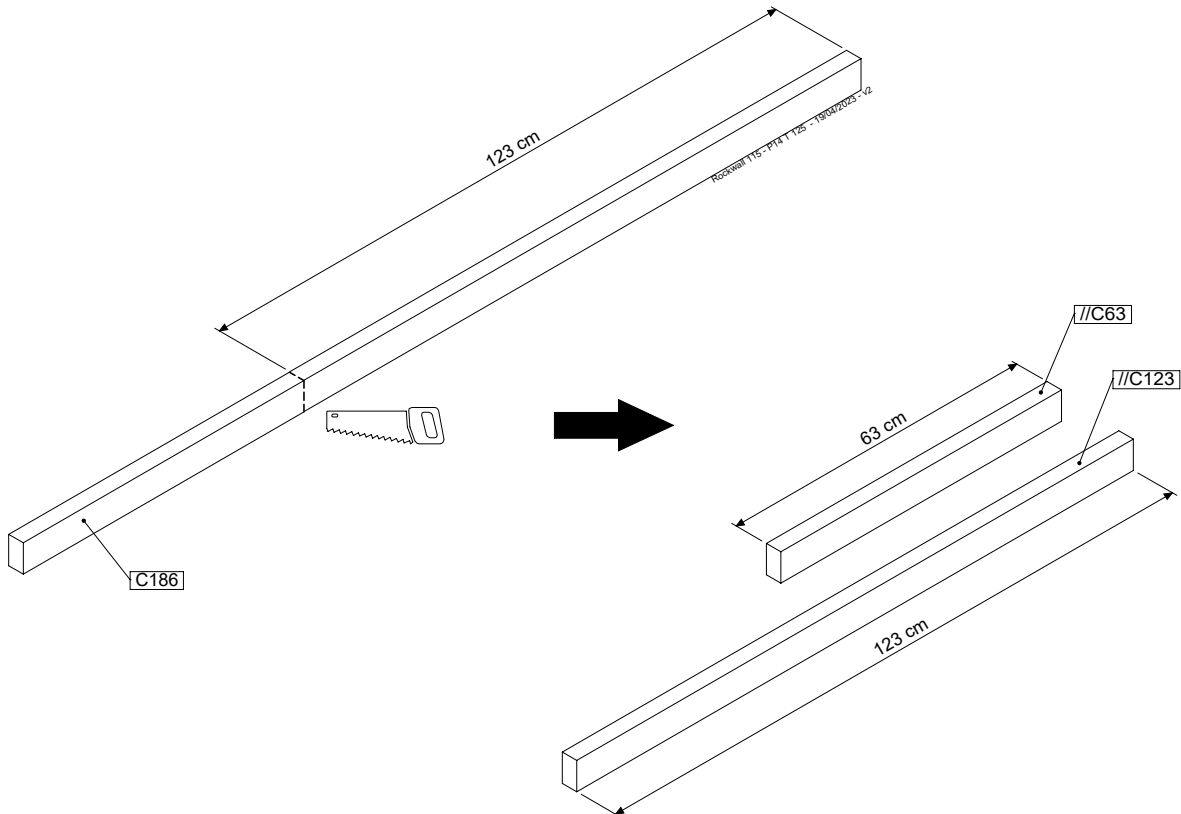
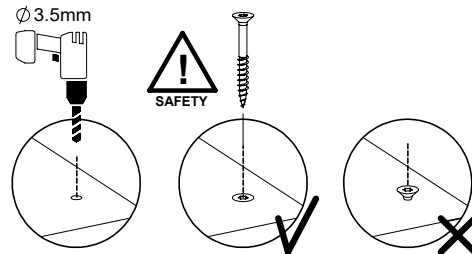
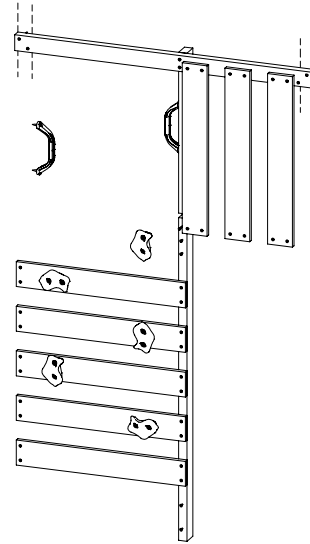


# 10 RW07: Rock wall 115 145 U Left

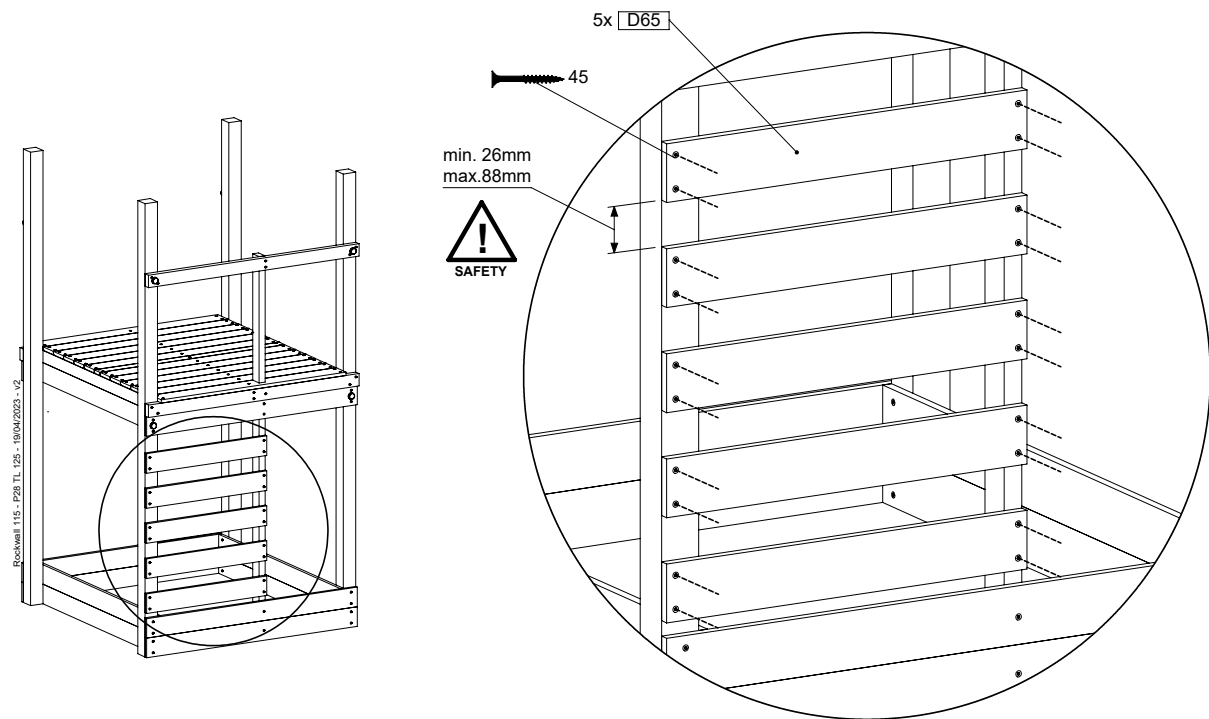
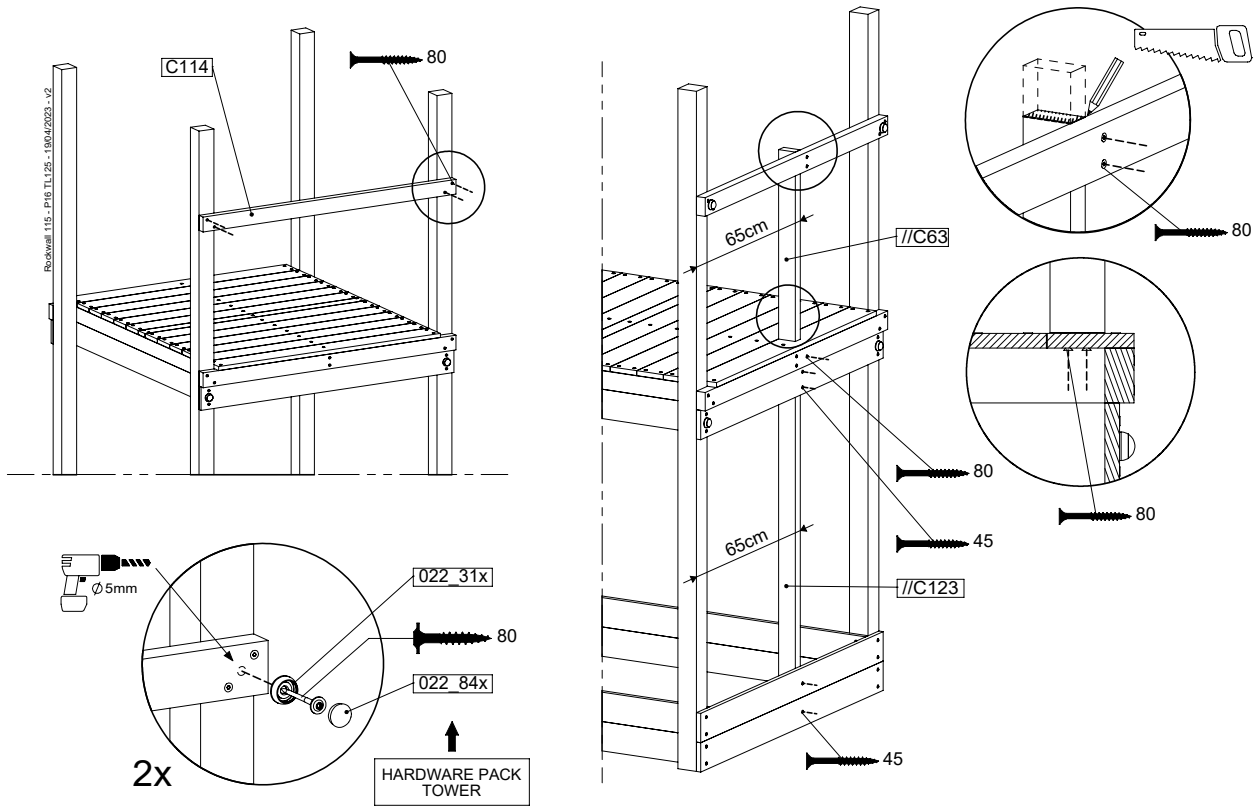
( 194\_006 + 194\_101)

	PartNo	PartName	QTY.
Hardware Pack	001_102	Washer Head Screw T40 M8x30	10
	002_220	Gap Point Screw T25 - 5x45	36
	002_223	Gap Point Screw T25 - 5x80	9
	003_010	M8 spring lock washer	10
	004_050	M8 Drive-in Nut 22mm	10
Other	022_50x	Climbing Rock	5
	120_102	Handgrip set (complete 2x)	1
Timber	C114	Beam 1140 mm	1
	C186	Beam 1860 mm	1
	D65	Board 650 mm	8

Rockwall 115 - P08 TL 125 - 18/04/2023 - v2

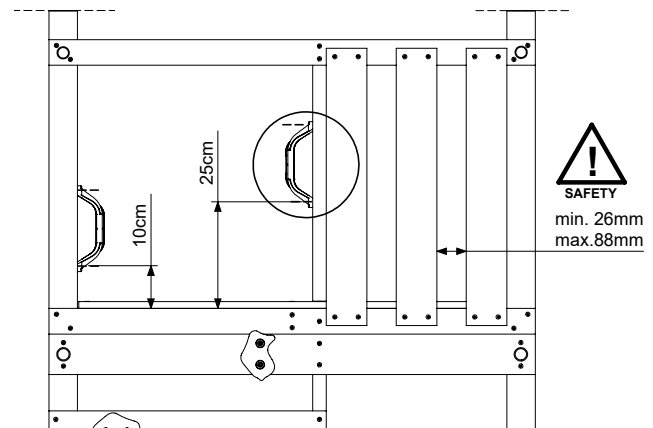
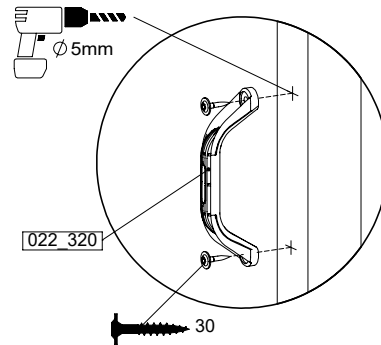
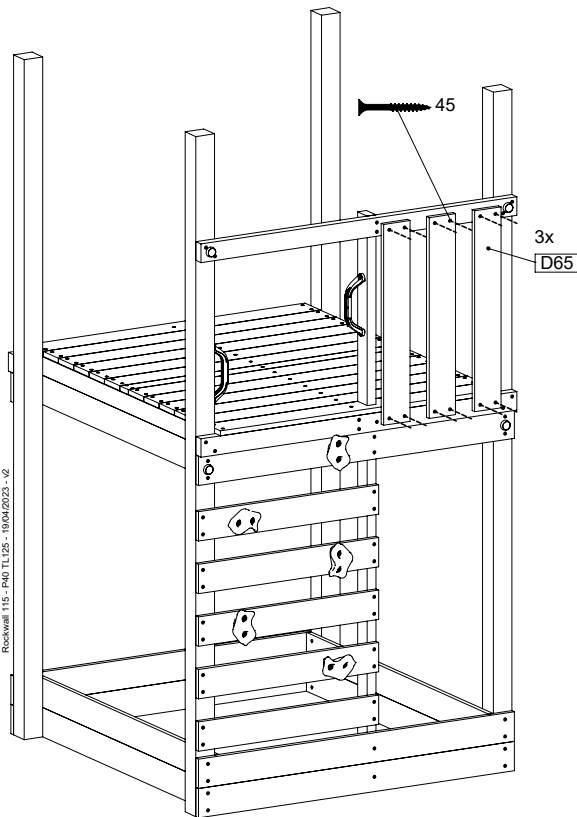
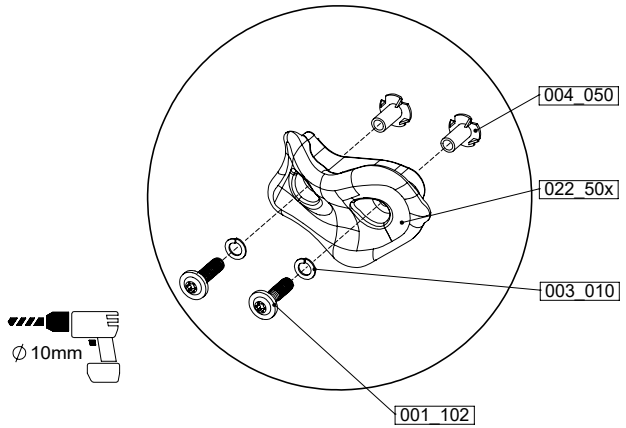
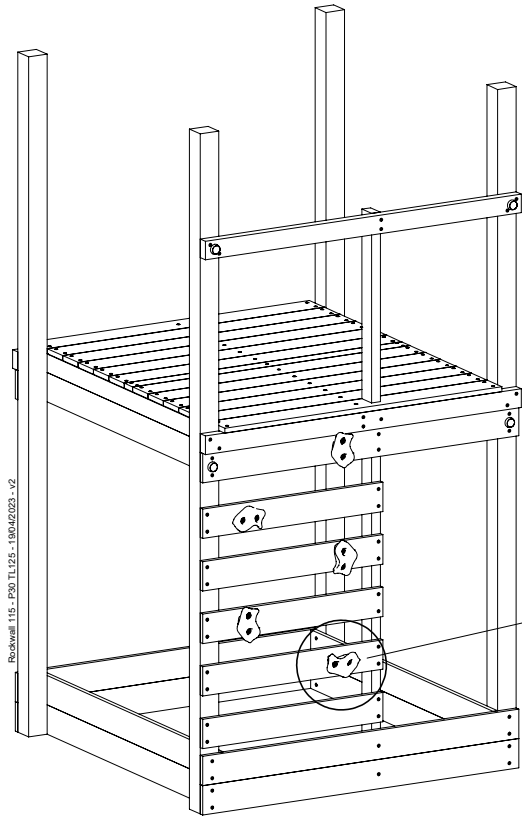


# 10.1

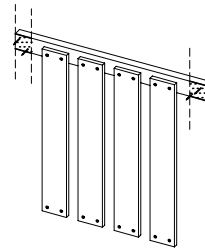




## 10.2

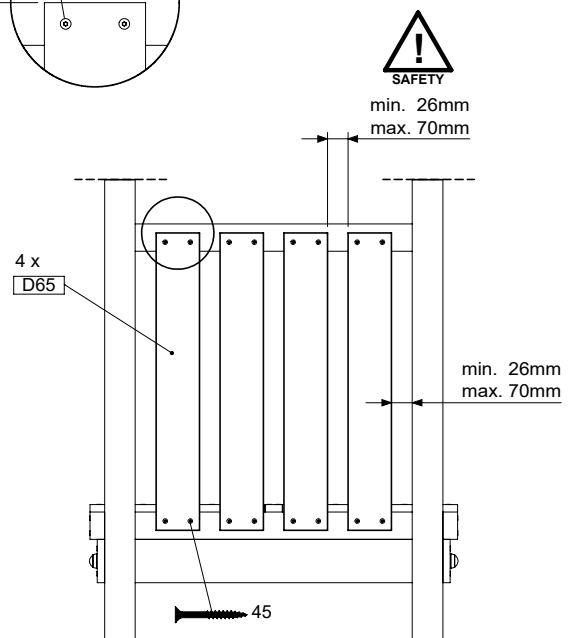
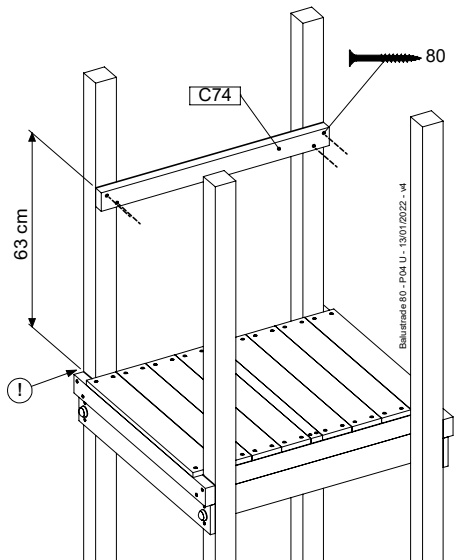
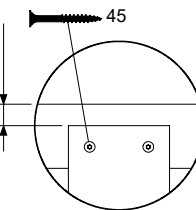


# 11 BL01: Balustrade 80 U - 7x7 posts



( 194\_101 )

	PartNo	PartName	QTY.
Hardware Pack 100_601	002_220	Gap Point Screw T25 - 5x45	16
	002_223	Gap Point Screw T25 - 5x80	4
Timber	C74	Beam 740 mm	1
	D65	Board 650 mm	4

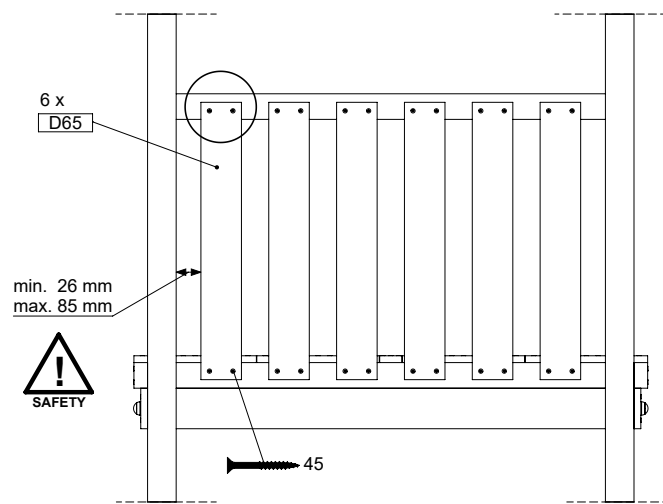
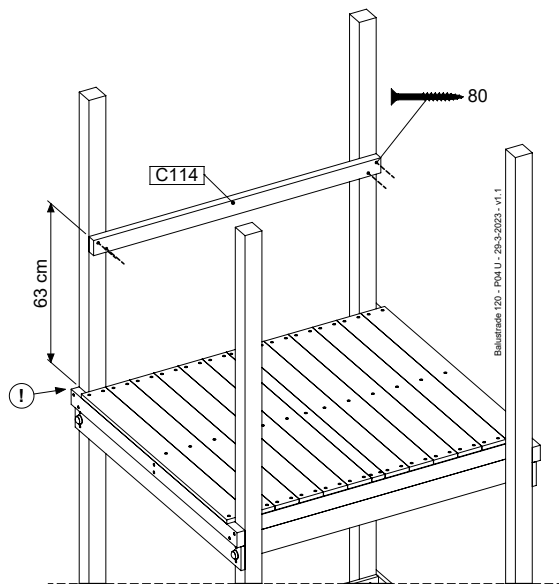
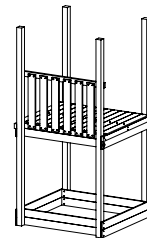
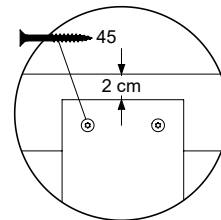
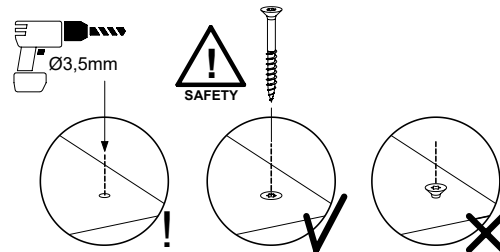
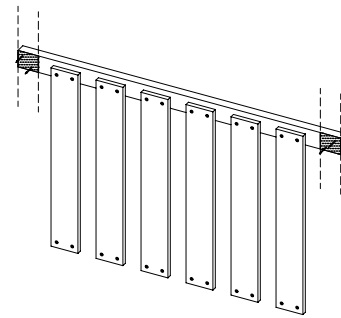


# 12 BL03: Balustrade 115 U

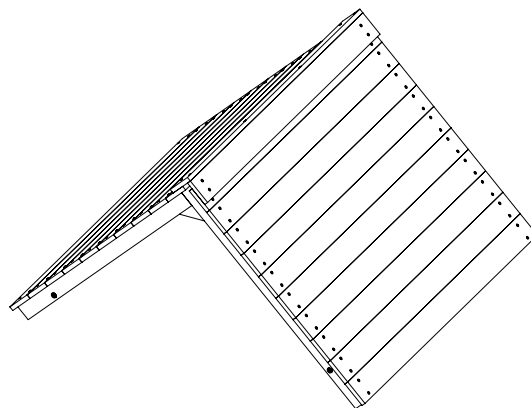
( 194\_501 )

	PartNo	PartName	QTY.
Hardware Pack	002_220	Gap Point Screw T25 - 5x45	24
	002_223	Gap Point Screw T25 - 5x80	4
Timber	C114	Beam 1140 mm	1
	D65	Board 650 mm	6

Balustrade 120 - POC U - 29-3-2023 - v1.1



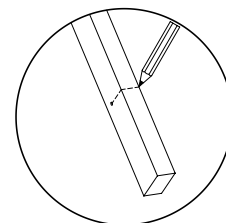
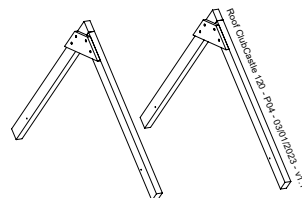
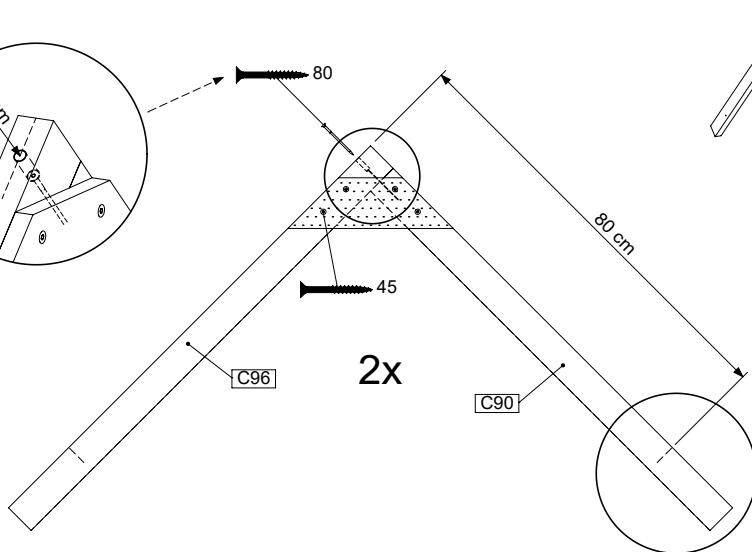
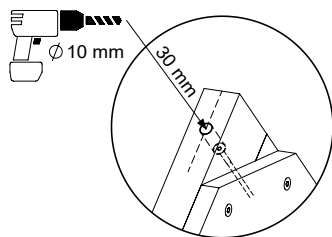
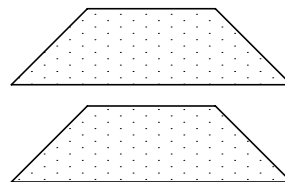
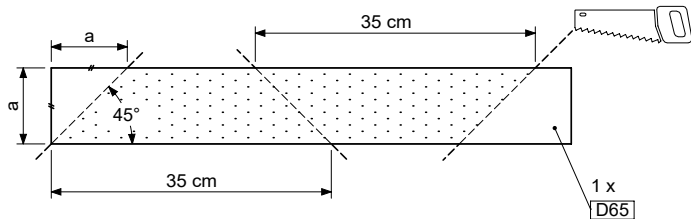
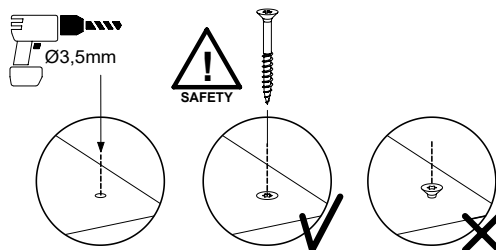
# 13 RF08: Roof Timber Gable 115



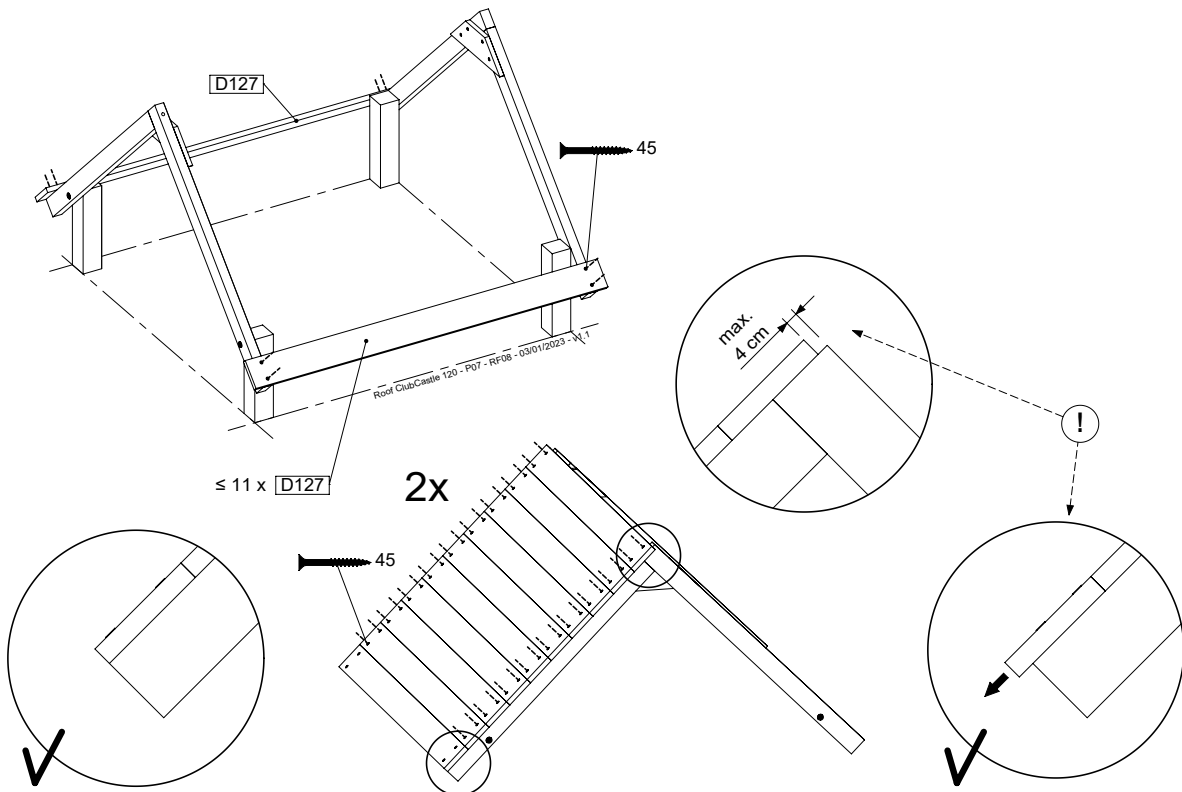
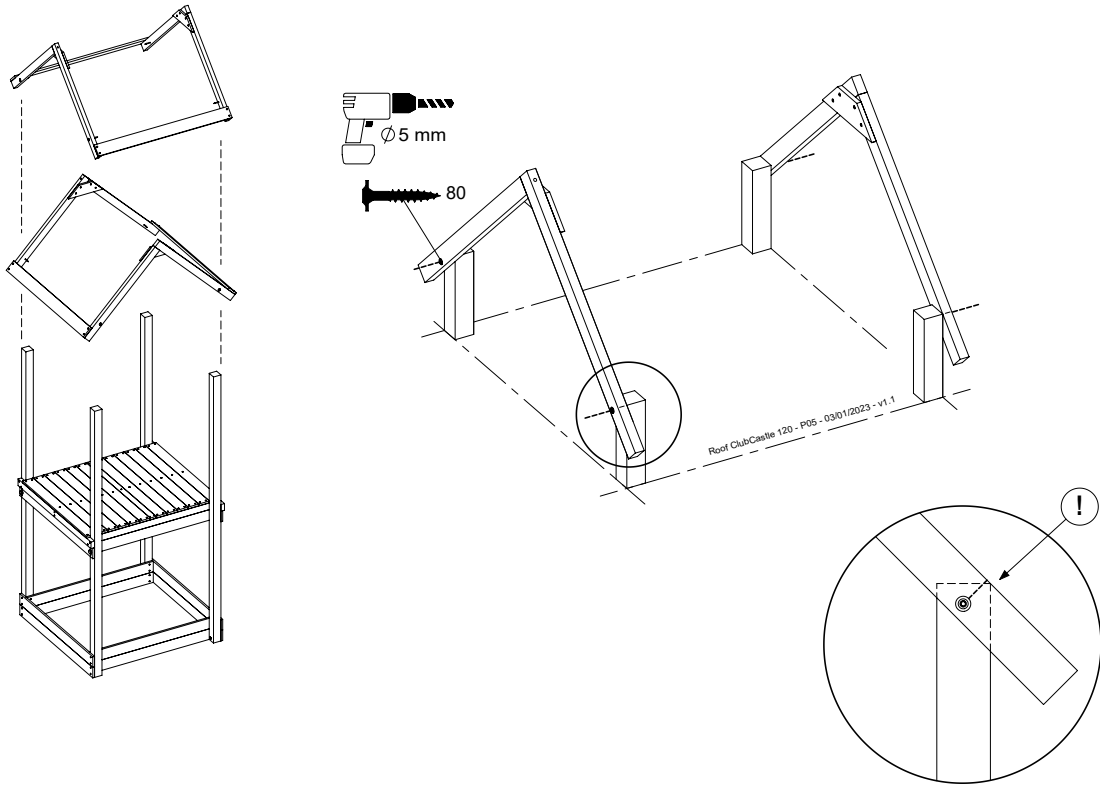
AP 194\_308 / RF

	PartNo	PartName	QTY.
Hardware Pack	001_417	Stealth Screw 8x80	4
	002_220	Gap Point Screw T25 - 5x45	100
	002_223	Gap Point Screw T25 - 5x80	8
Timber	C96	Beam 960 mm	2
	D65	Board 650 mm	1
	D127	Board 1270 mm	18-24
	C90	Beam 900 mm	2

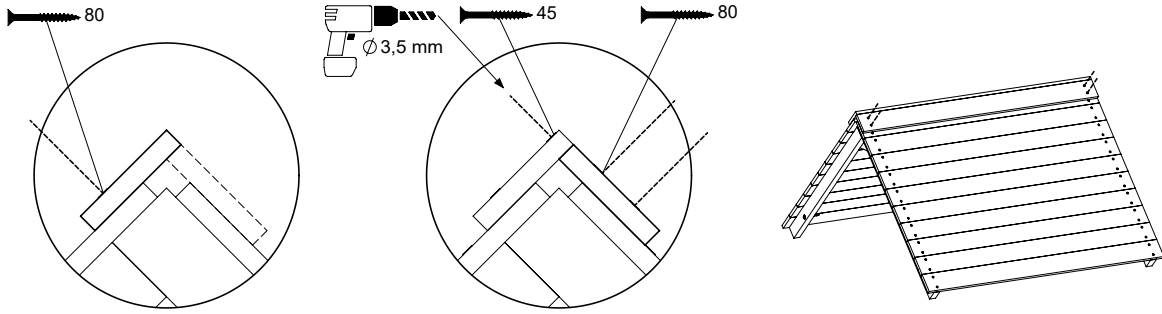
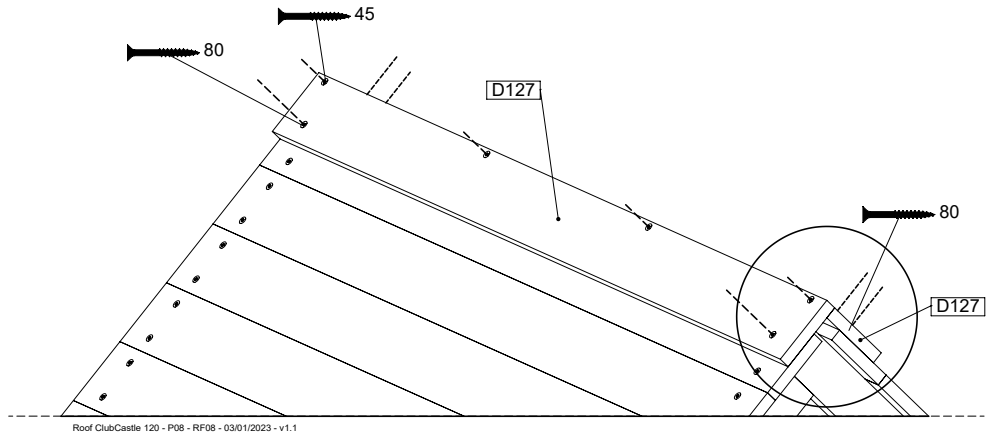
Roof Cha/Chaite 120 - P03 - RF08 - 03/01/2023 - v1.1



# 13.1



# 13.2

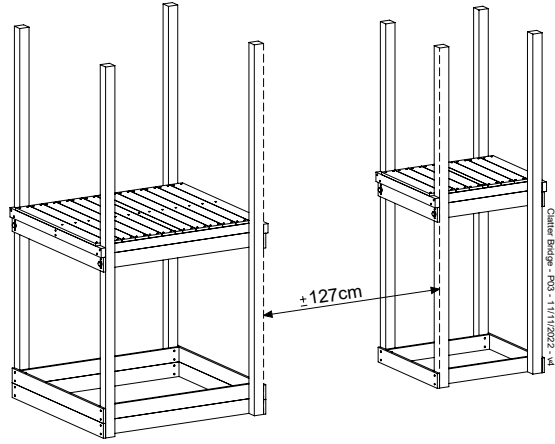
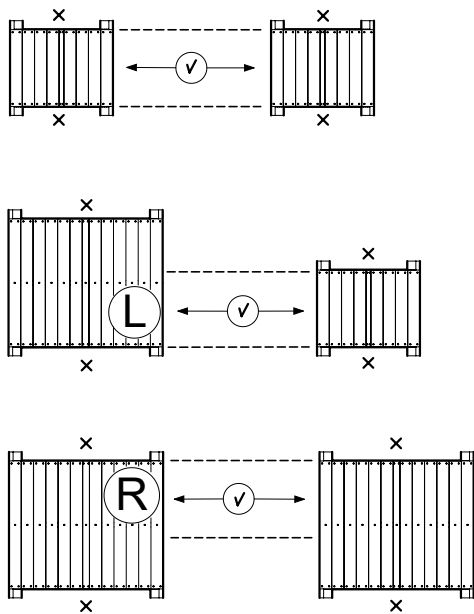
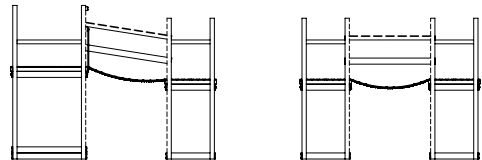
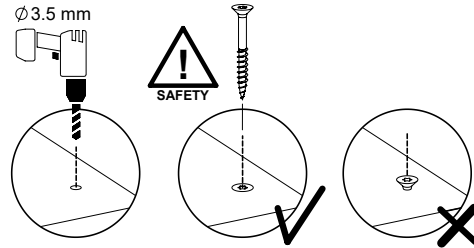
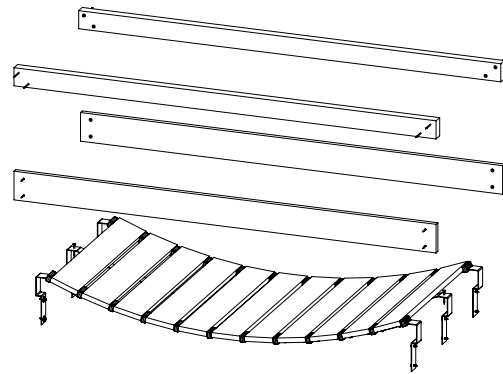


# 14 CB01: Clatter Bridge - PART 1

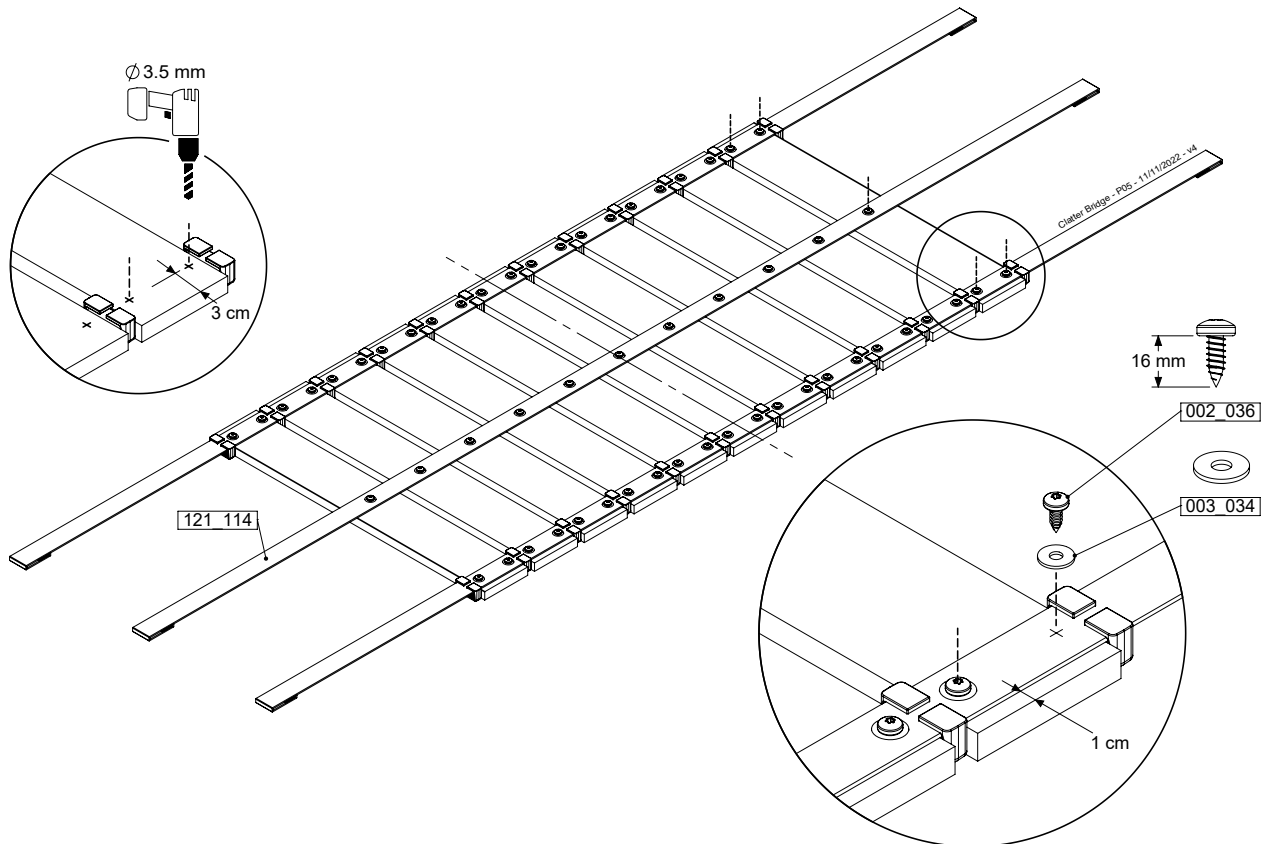
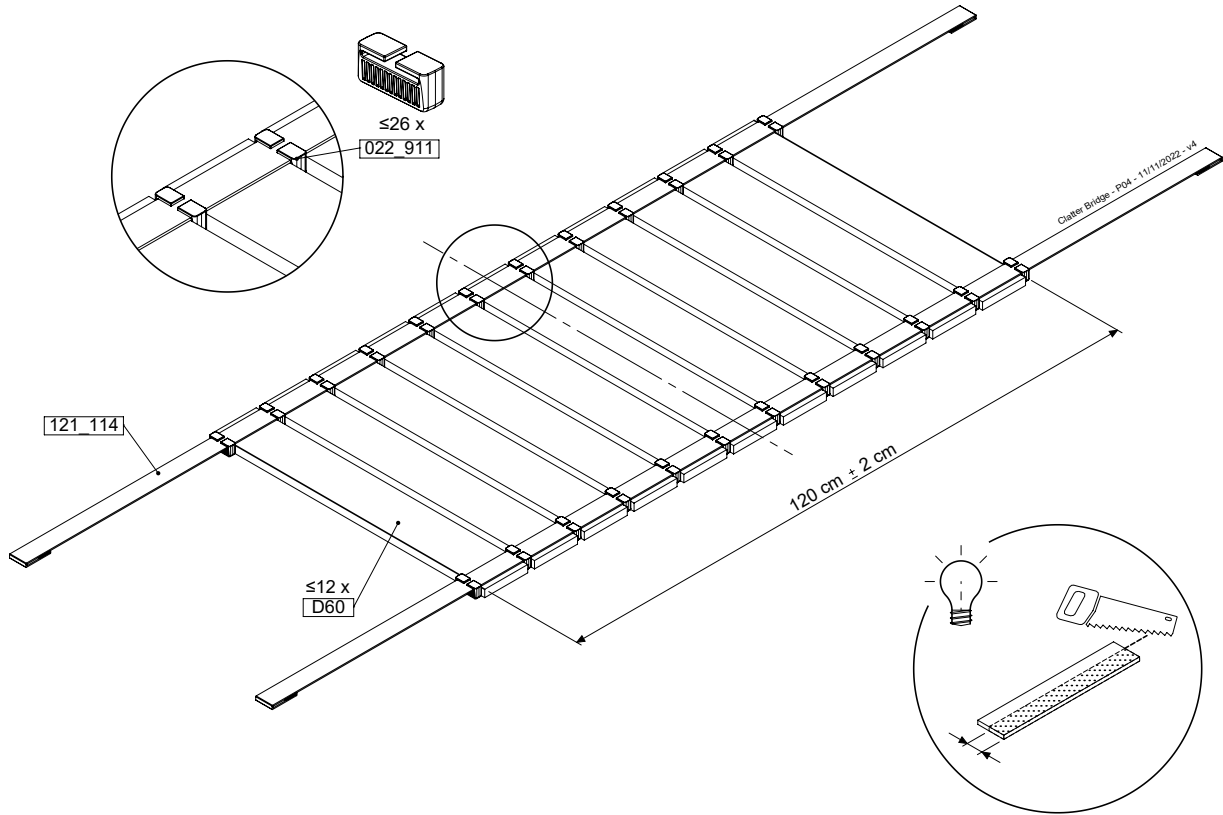
( 194\_116 )

	PartNo	PartName	QTY.
Hardware Pack 100_614	002_036	16mm Pan Head Tapping Screw T25	72
	002_220	Gap Point Screw T25 - 5x45	10
	002_223	Gap Point Screw T25 - 5x80	12
	003_034	M6 Washer	72
Other	022_911	Bridge Spacer	26
	121_114	BridgeLink Strap 210cm	3
Wood	C141	Beam 1410 mm	2
	D60	Board 600 mm	12
	D141	Board 1410 mm	2

Clatter Bridge - P02 - 1/11/2022 - v4

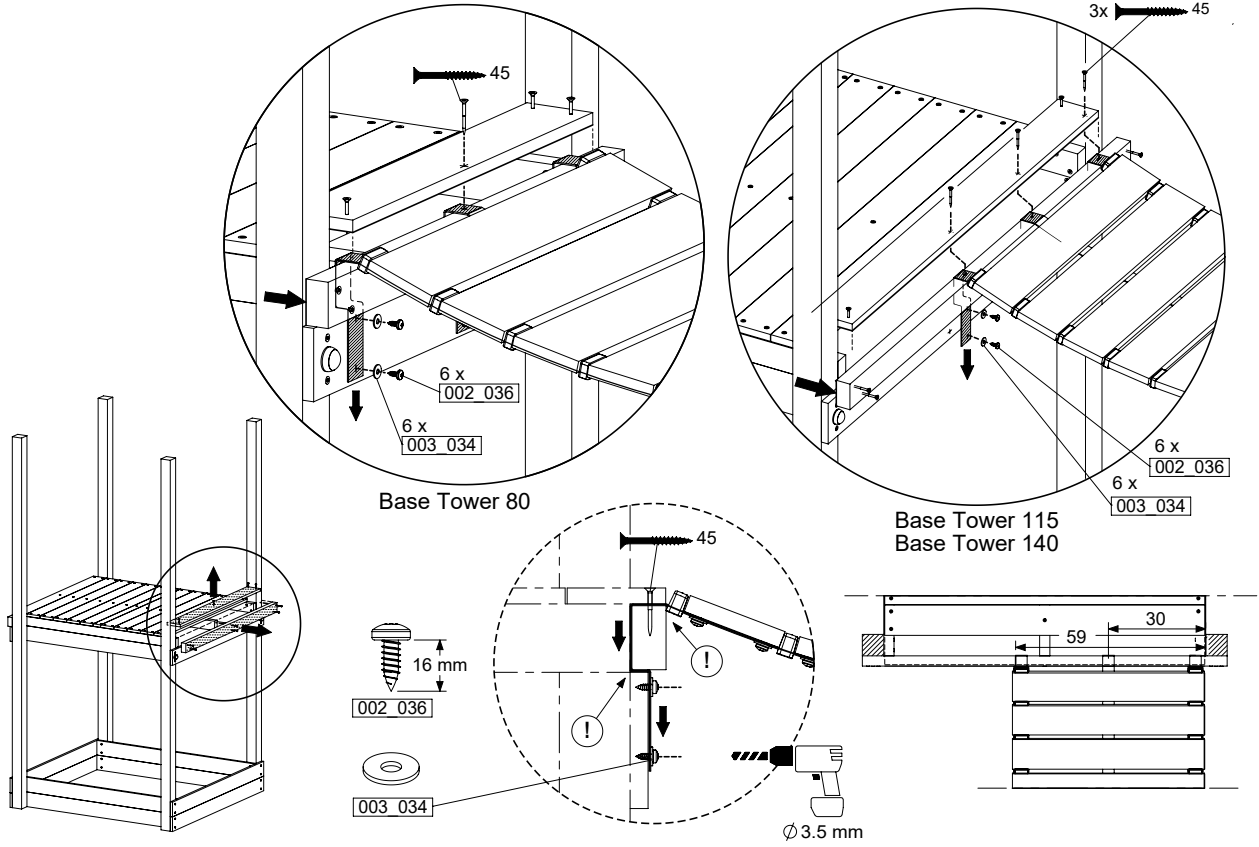


# 14.1





# 14.2

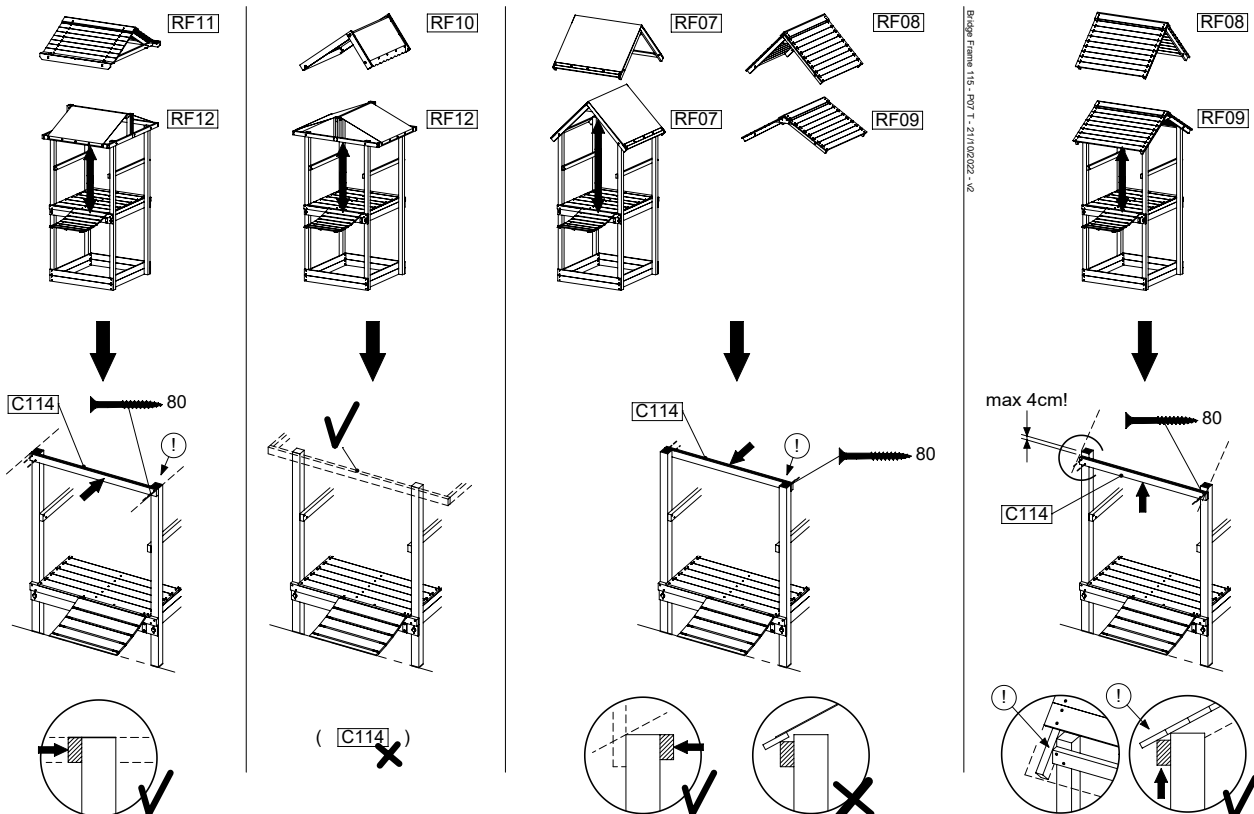
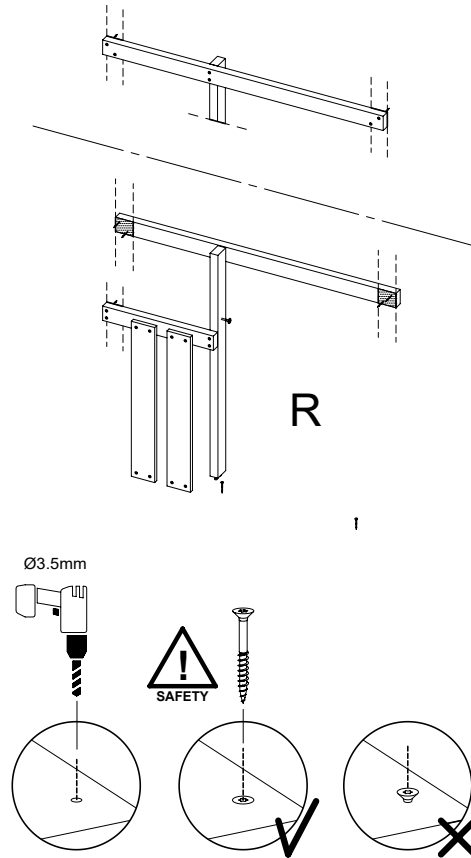


# 15 BF04: Bridge Frame 115 T Right

( 194\_007 )

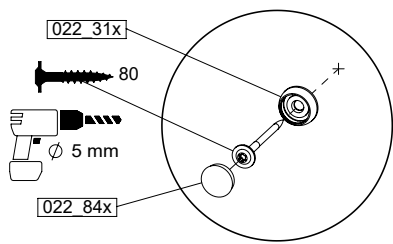
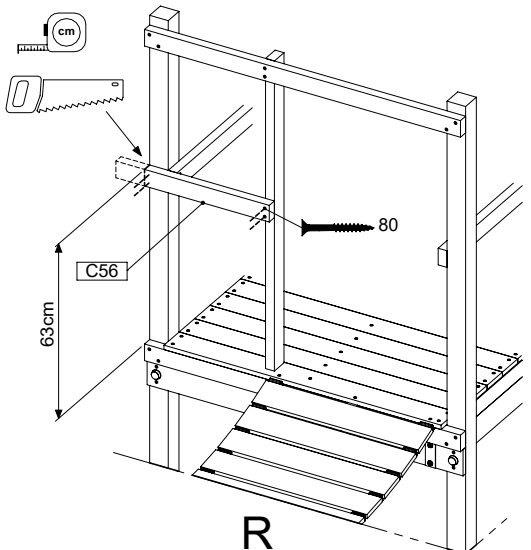
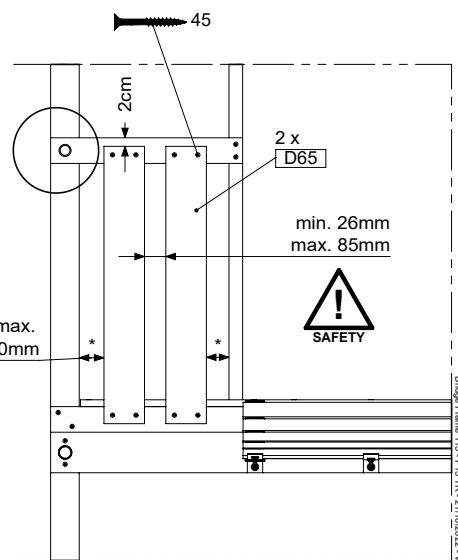
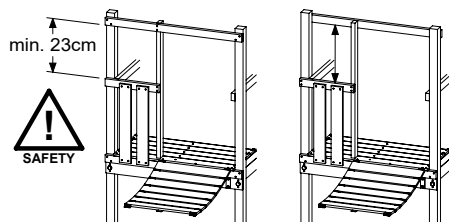
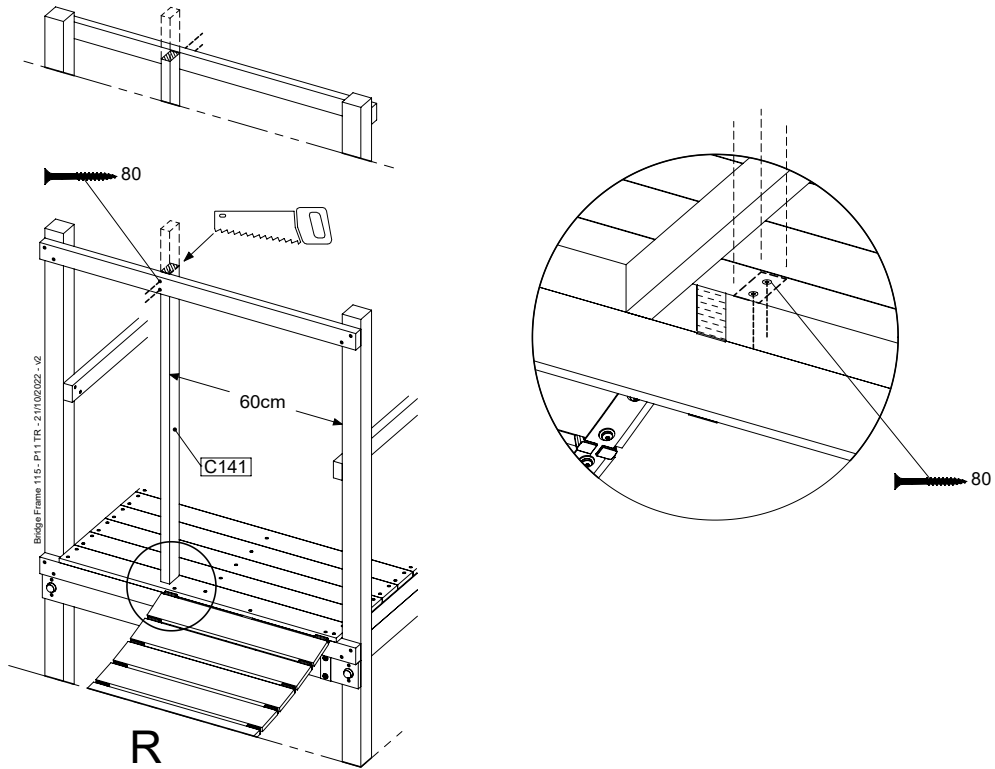
	PartNo	PartName	QTY.
Hardware Pack	001_411	Stealth Screw 8x60	1
	002_220	Gap Point Screw T25 - 5x45	10
	002_223	Gap Point Screw T25 - 5x80	12
Timber	C56	Beam 560 mm	1
	C114	Beam 1140 mm	1
	C141	Beam 1410 mm	1
	D65	Board 650 mm	2

Bridge Frame 115 - P03 TR - 2.11.02.022 - v2

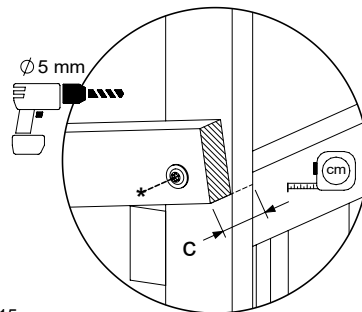
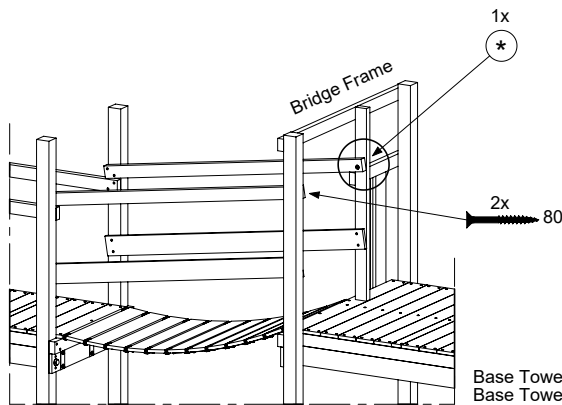
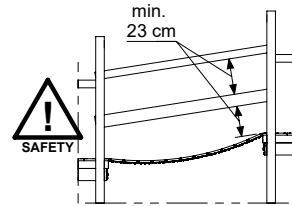
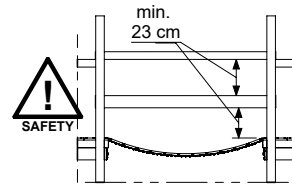
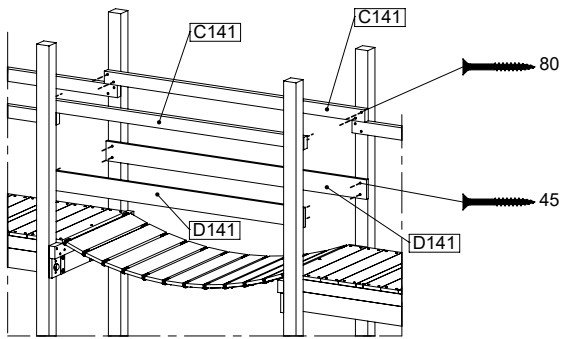


Bridge Frame 115 - P03 TR - 2.11.02.022 - v2

# 15.1



# 16 CB01: Clatter Bridge - PART 2



C < 8cm 1x 60

C > 8cm 1x 80

BF - Bridge Frame

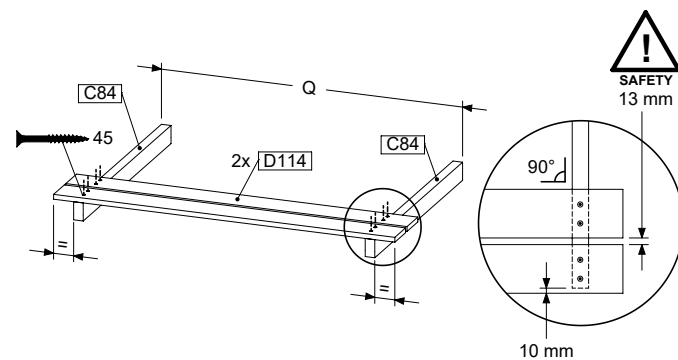
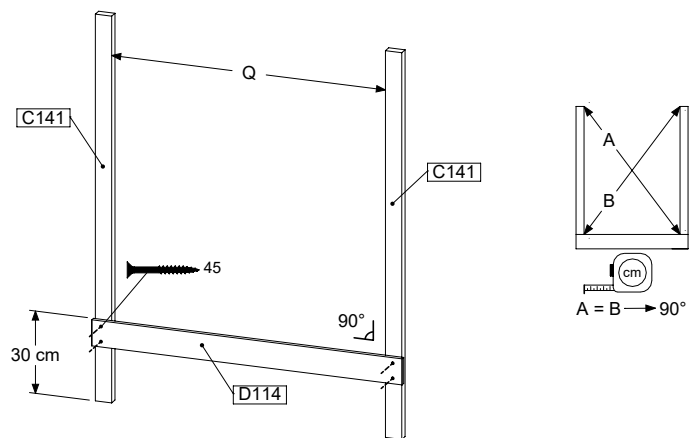
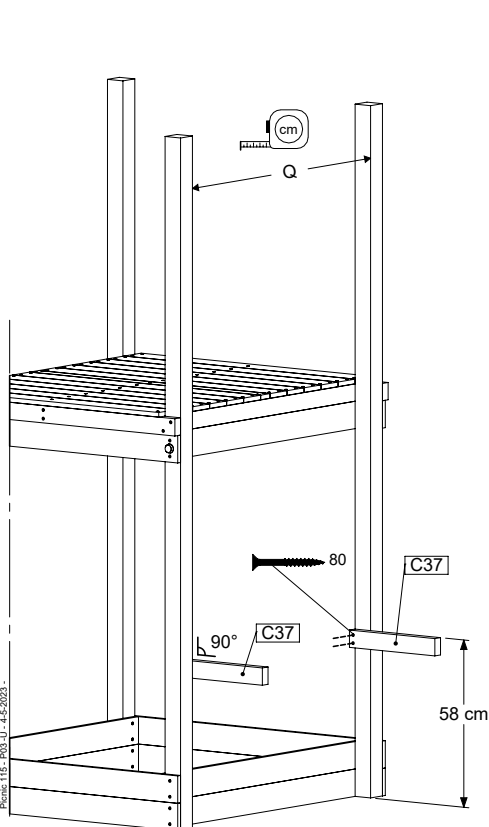
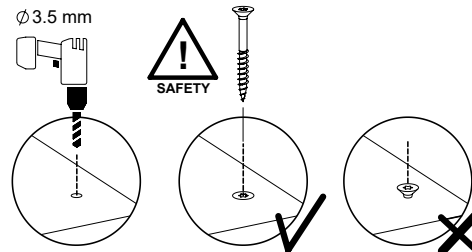
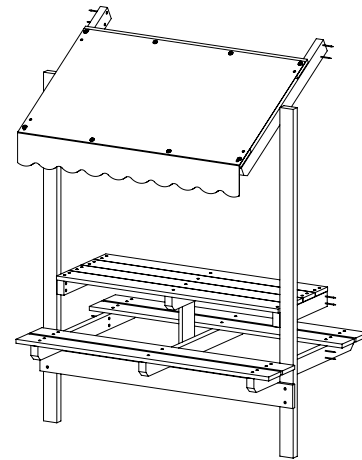
Clatter Bridge - P07 - 11/11/2022 - v4

# 17 PC05: Picnic 115 U

( 194\_810 )

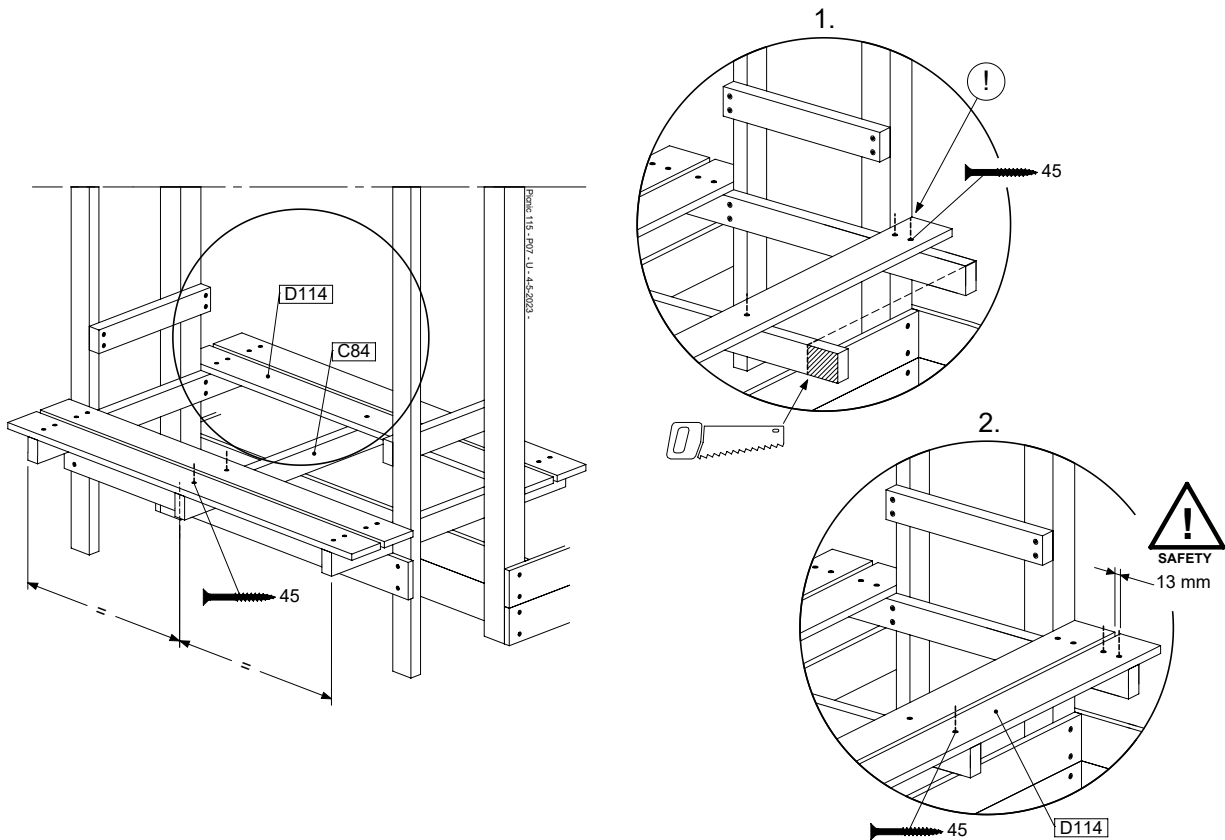
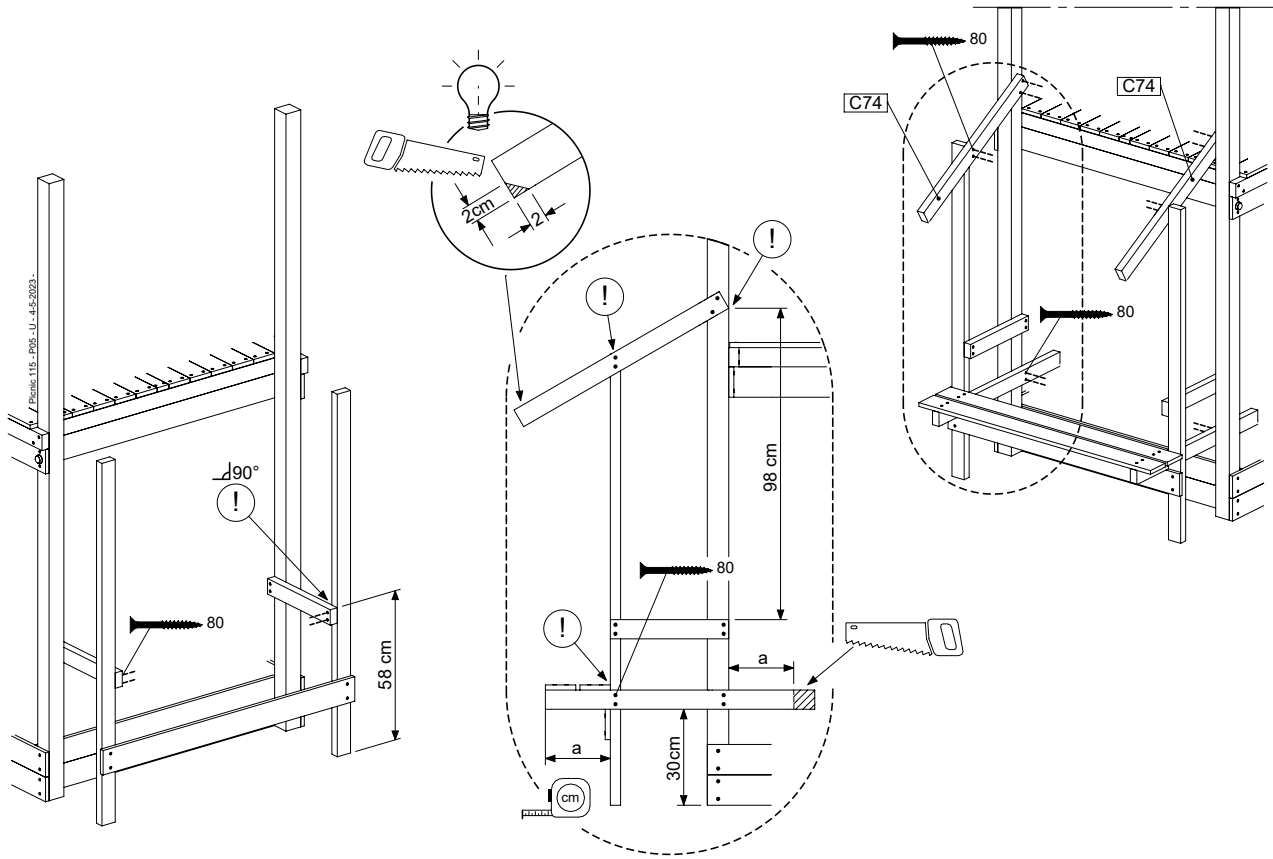
	PartNo	PartName	QTY.
Hardware Pack	002_220	Gap Point Screw T25 - 5x45	56
	002_223	Gap Point Screw T25 - 5x80	24
	002_308	Gap Point Screw T25 - 5x20	8
	023_031	Finishing Washer GPS 5.0	8
Other	123_220	Canvas sheet 735x1365mm	1
Timber	C37	Beam 370 mm	3
	C74	Beam 740 mm	2
	C84	Beam 840 mm	3
	C141	Beam 1410 mm	2
	D47	Board 470 mm	1
	D100	Board 1000 mm	6
	D114	Board 1140 mm	5

Picnic 115 - P02 - LUT - 4-5-2023 -

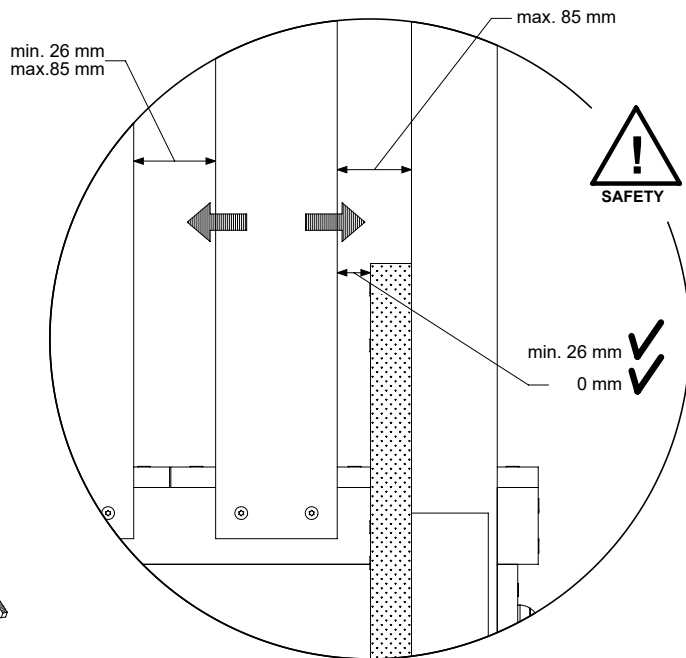
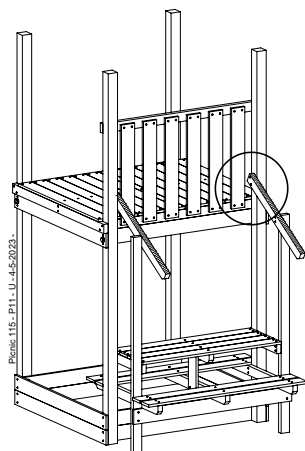
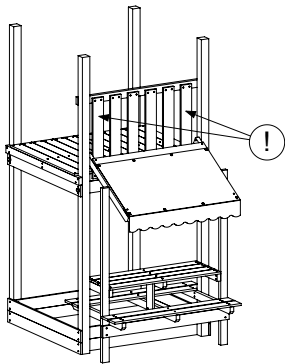
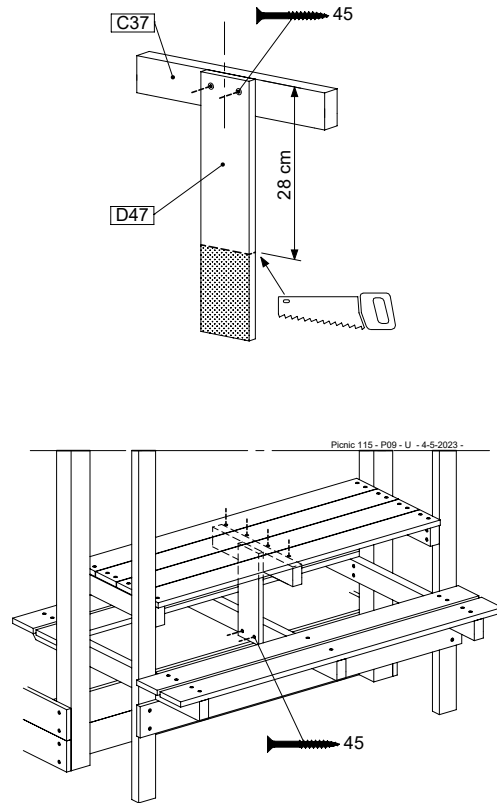
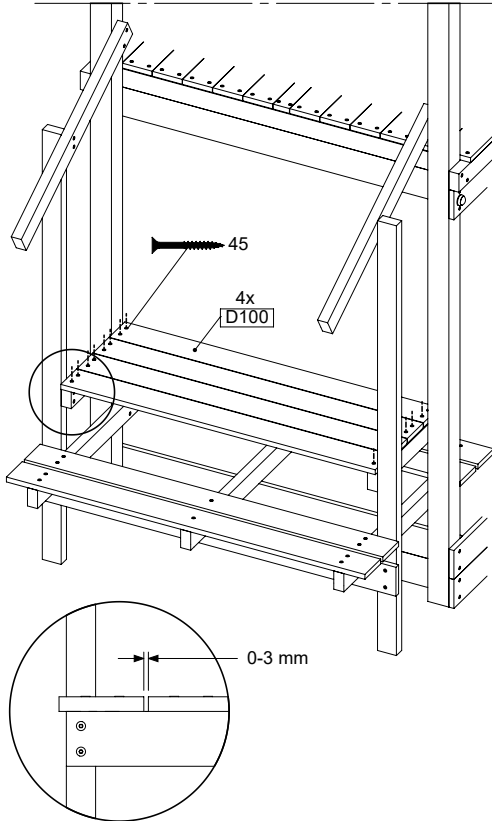


Picnic 115 - P03 - U - 4-5-2023 -

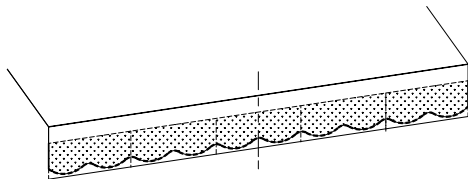
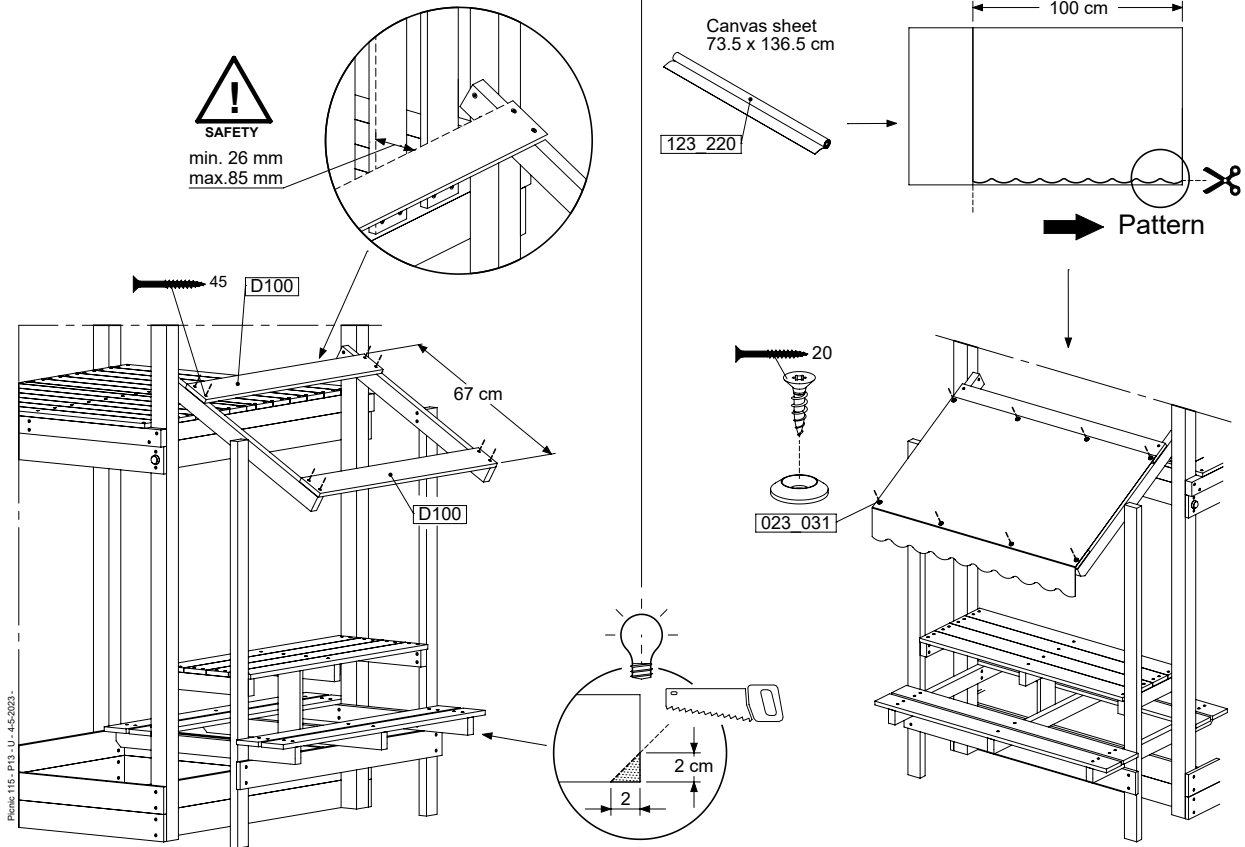
# 17.1



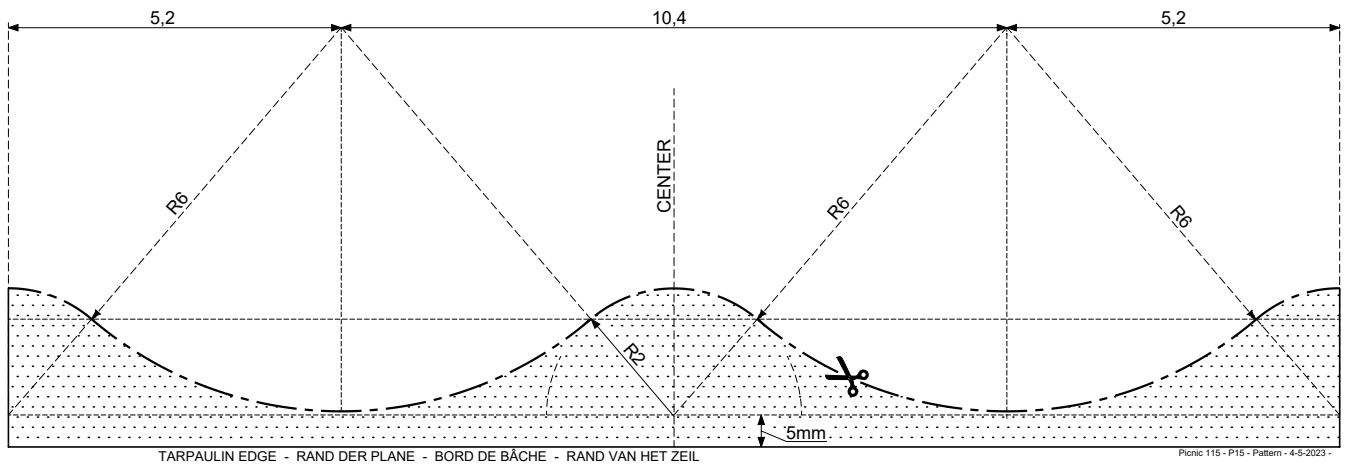
# 17.2



# 17.3



EXAMPLE PATTERN  
BEISPIELVORLAGE FÜR MARKISE  
SCHÉMA SUGGÉRÉ DE DÉCOUPE POUR AUVENT  
VOORBEELDSJABLOON LUIFEL



← repeat

repeat →

! Scale of print may not be accurate.  
Druckformat kann abweichen.  
Les tailles imprimées peuvent varier.  
Printformaat kan afwijken.

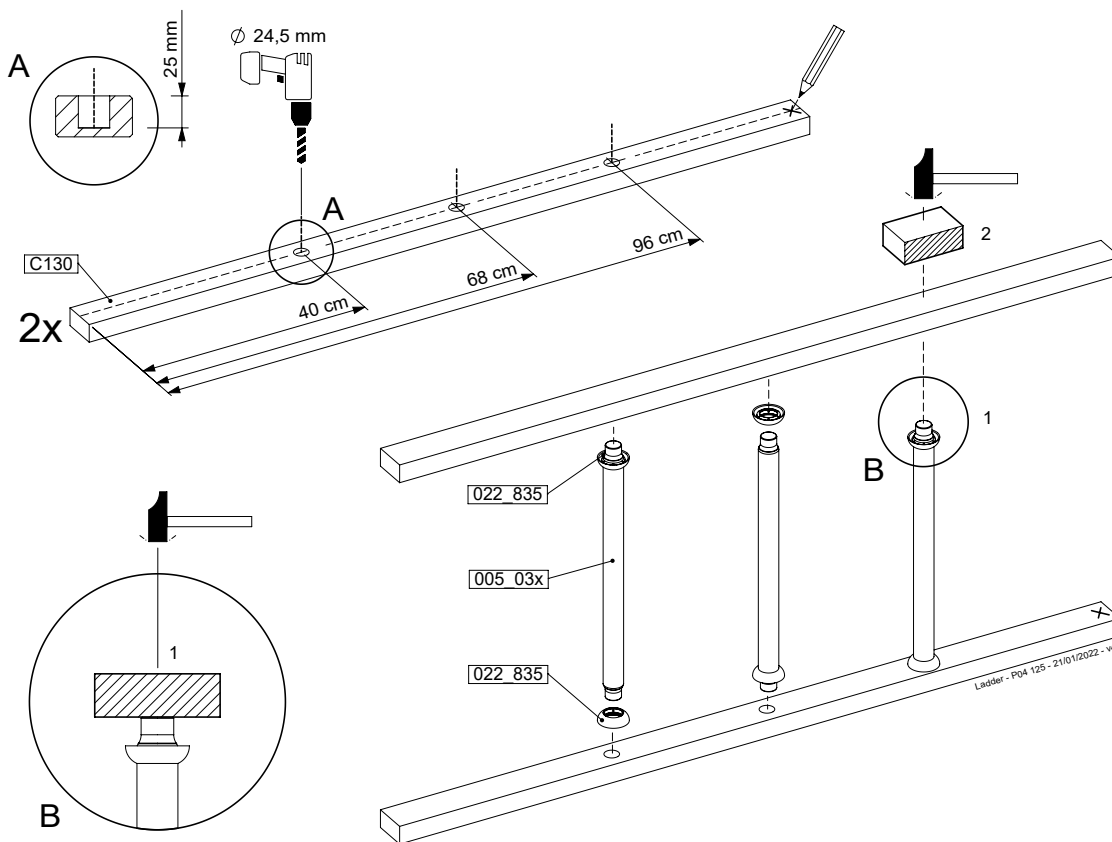
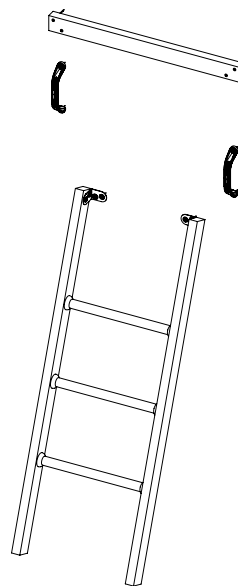


# 18 LA02: Ladder 80 125 T

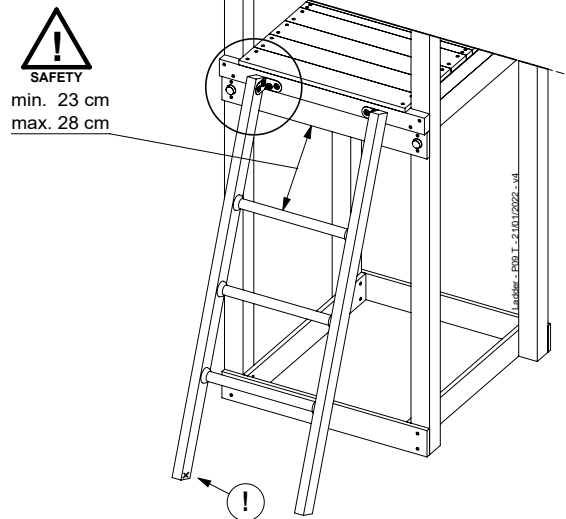
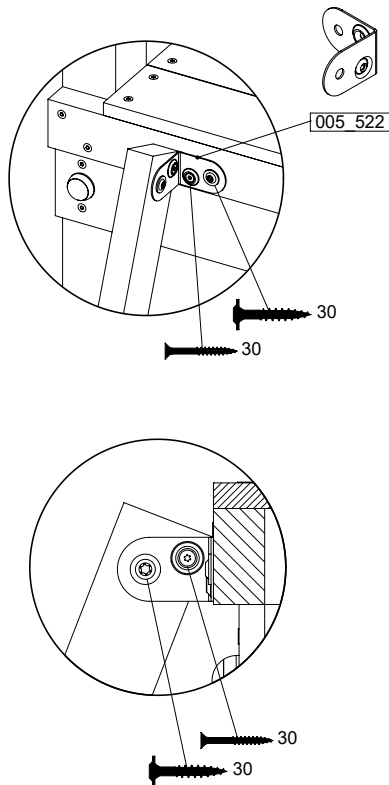
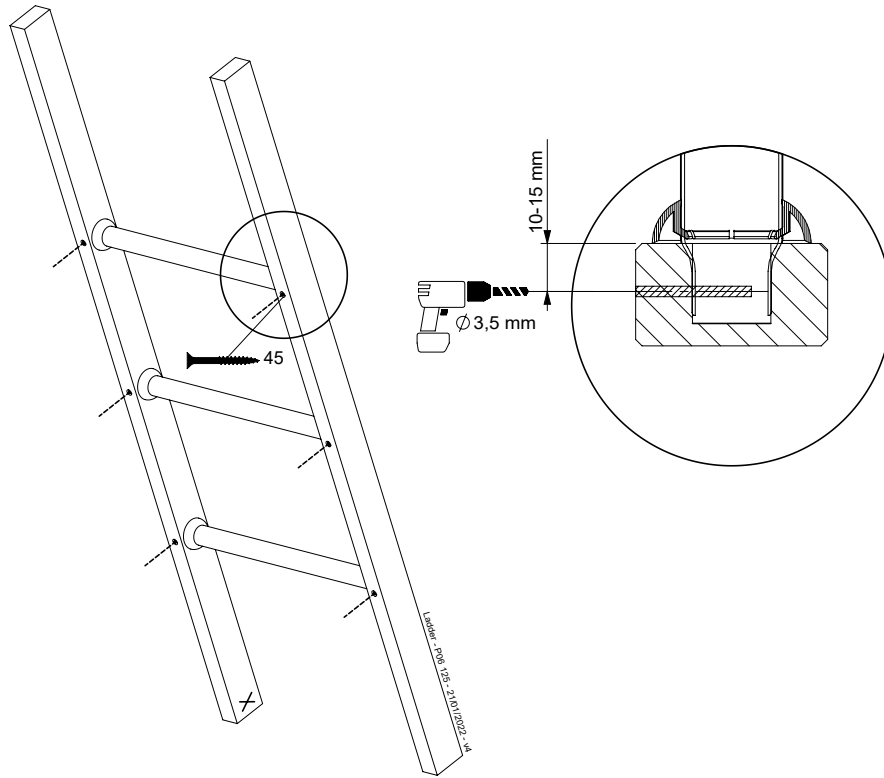
( 194\_103 )

	PartNo	PartName	QTY.
Hardware Pack 100_603	001_404	Stealth Screw 8x30	4
	002_219	Gap Point Screw T25 - 5x30	4
	002_220	Gap Point Screw T25 - 5x45	6
	002_223	Gap Point Screw T25 - 5x80	4
Other	005_03x	Ladder Rung Y/B/G/R	3
	005_522	Connection Bracket Mini Market	2
	022_835	Rung Cap	6
	120_102	Handgrip set (2x Complete)	1
Timber	C74	Beam 740 mm	1
	C130	Beam 1300 mm	2

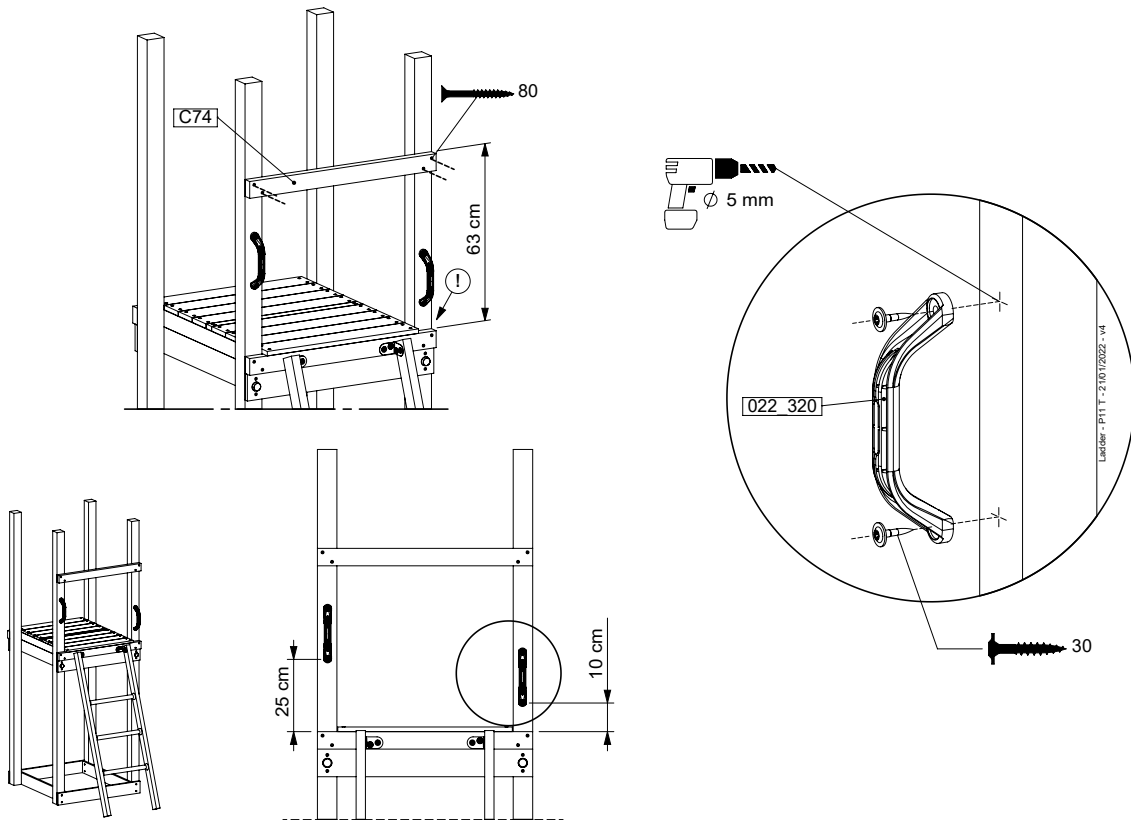
Ladder - P04 125 - 21/01/2022 - v4



# 18.1



## 18.2



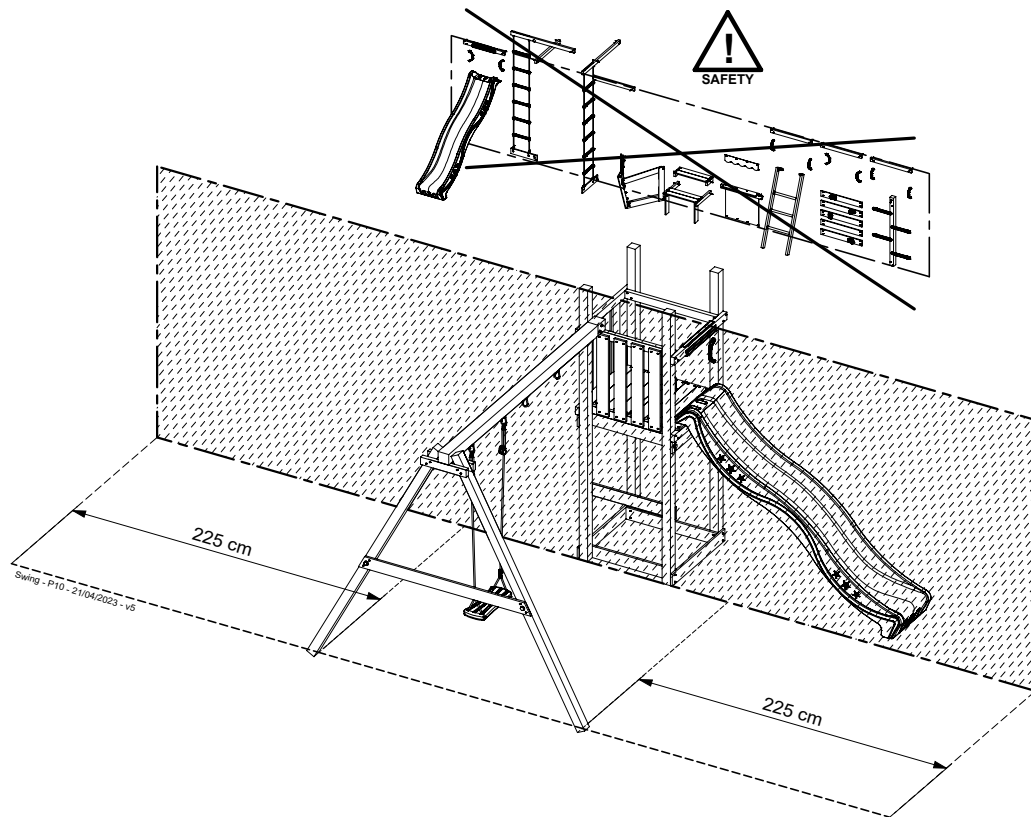
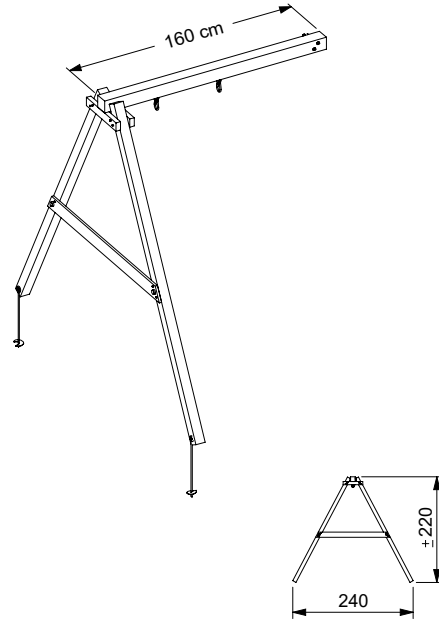
# 19 SW09: 1-Swing Module 220

(457\_102)

	PartNo	PartName	QTY.
Hardware Pack	001_406	Stealth Screw 8x45	4
	001_417	Stealth Screw 8x80	3 / 4
	001_422	Stealth Screw 8x137	3
	002_220	Gap Point Screw T25 - 5x45	12
	002_223	Gap Point Screw T25 - 5x80	6
Other	005_528	Swing Beam Bracket 7x7	1
	007_001	Ground-anchor	2
	022_31x	bpc-base version 3	2
	022_84x	bpc cover	2
	023_031	Finishing Washer GPS 5.0	2
	101_003	Swing hook with Carabiner	2
Timber	A220	Post 70x70 L2200	2
	B160	Post 90x90 L1600	1
	C37	Beam 370 mm	2
	D141	Board 1410 mm	2

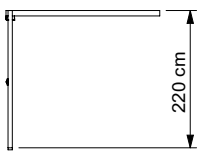
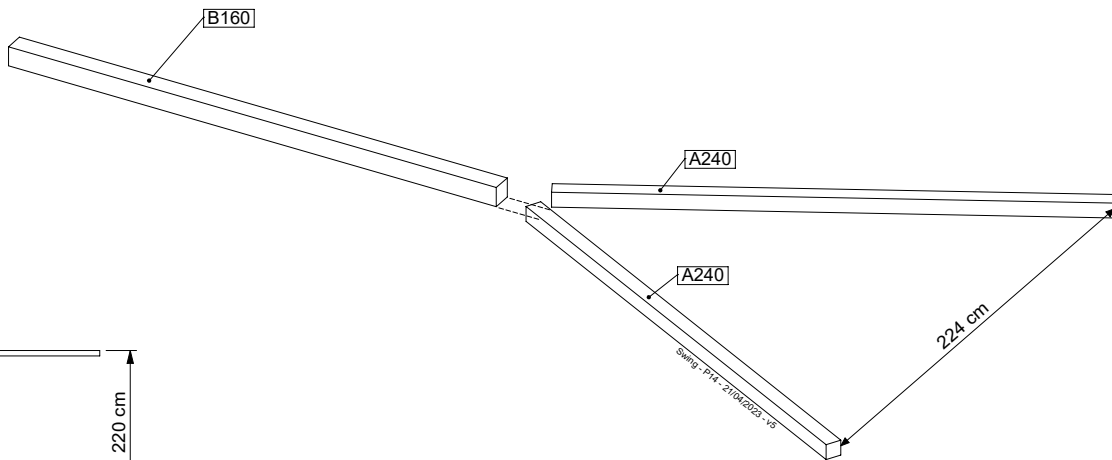
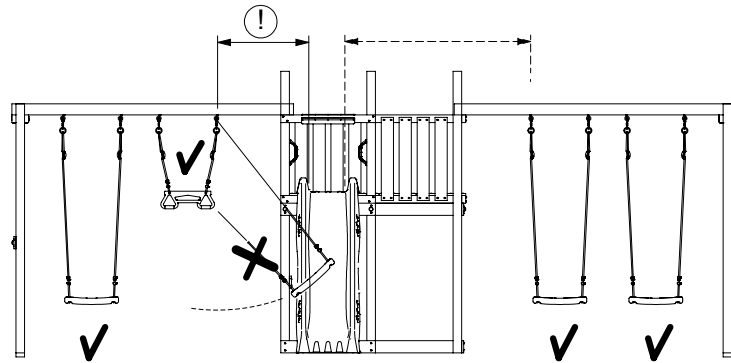
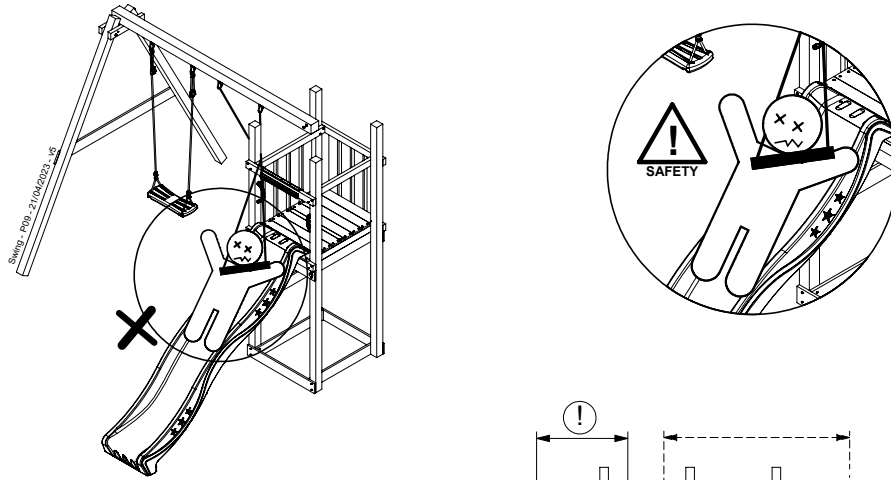
Swing - P10 - 2104/2023 - v5

1-Swing Module 220



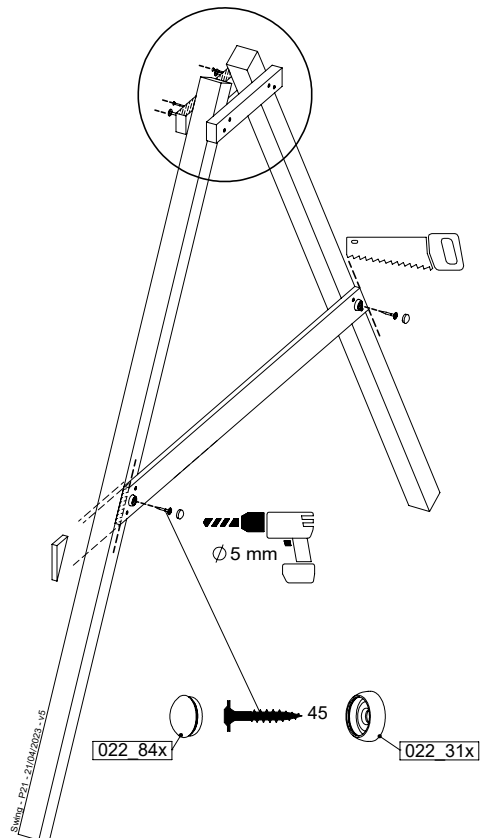
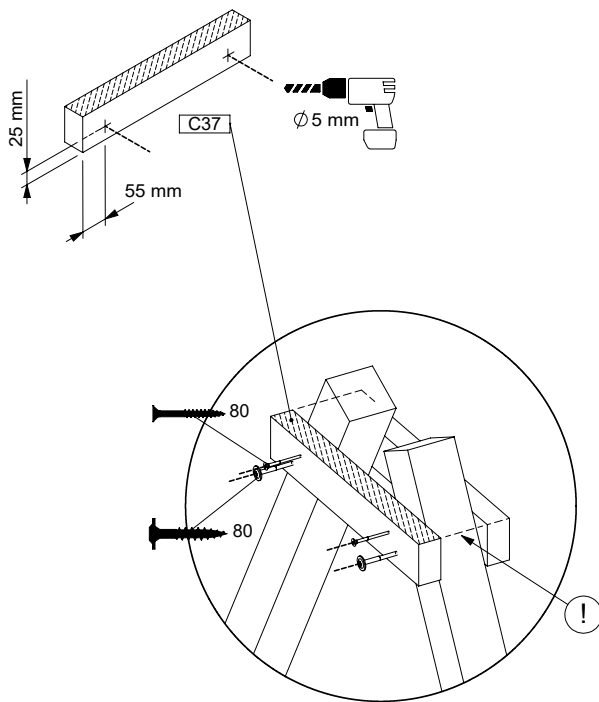
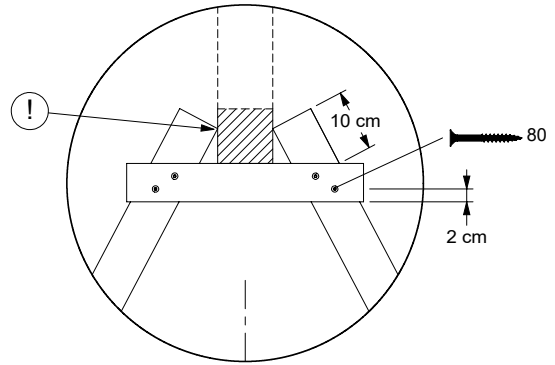
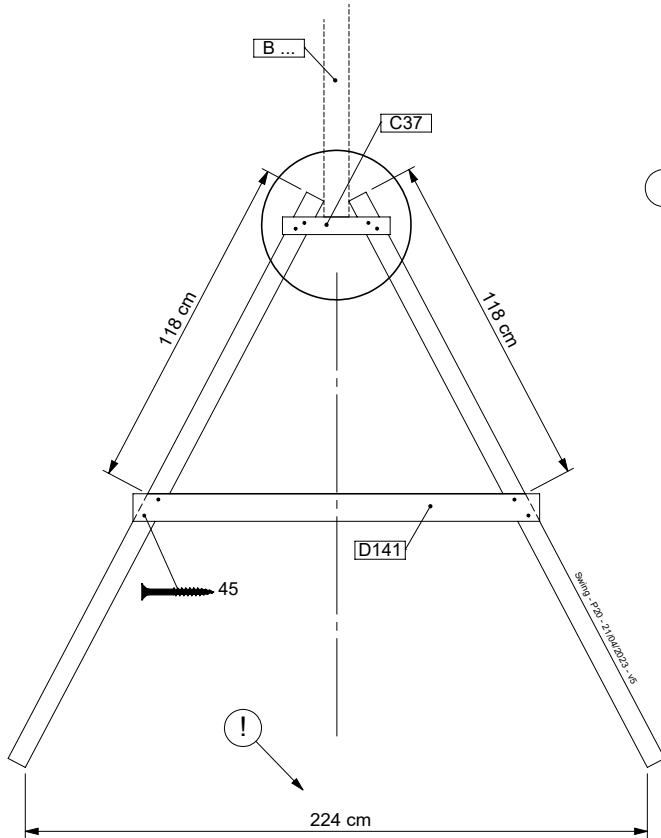
Swing - P10 - 2104/2023 - v5

# 19.1

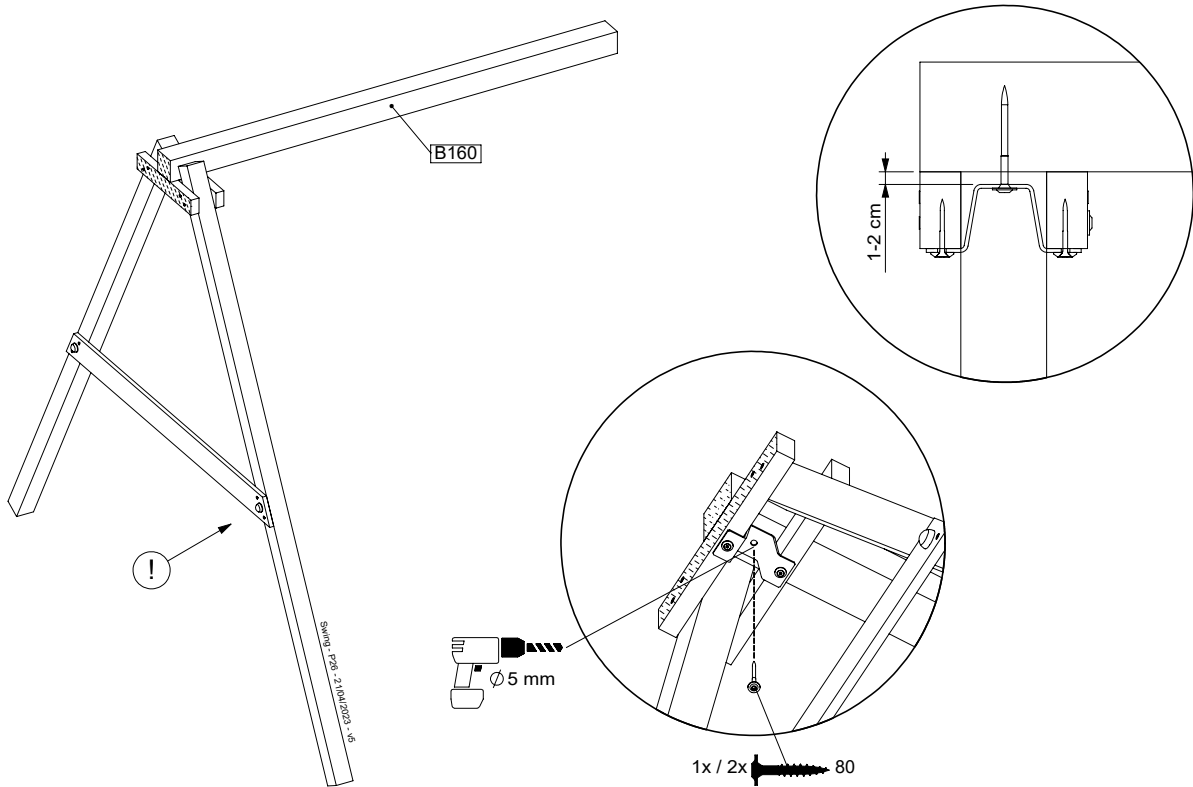
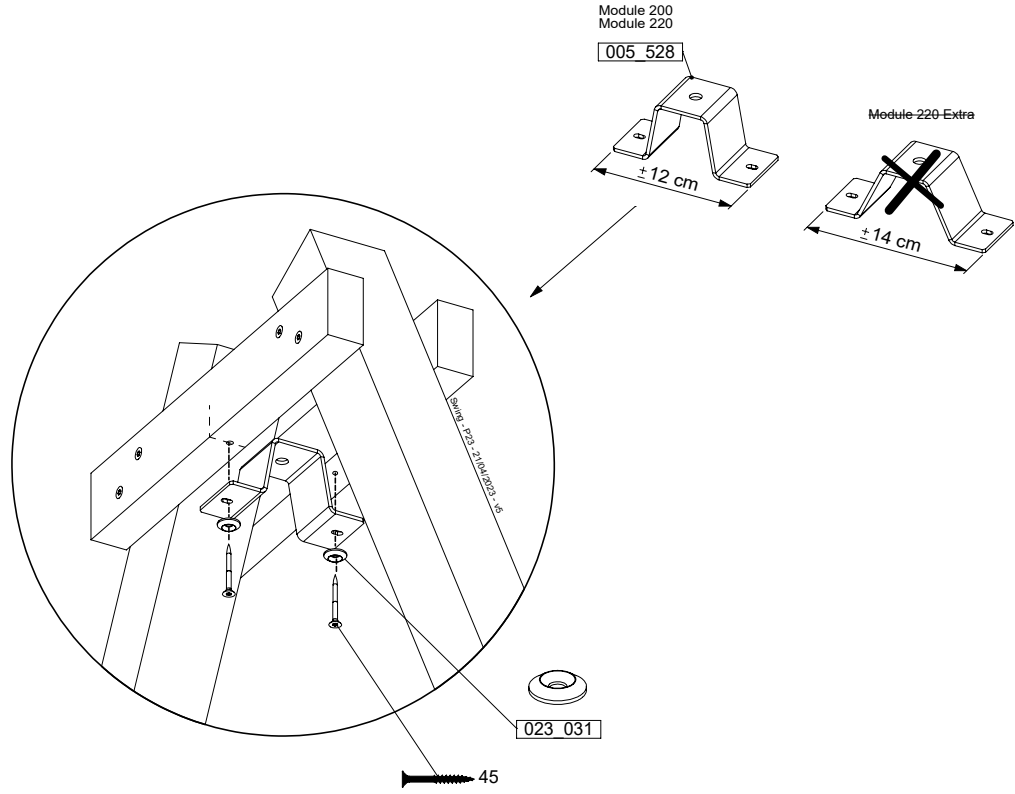


1-Swing Module 220

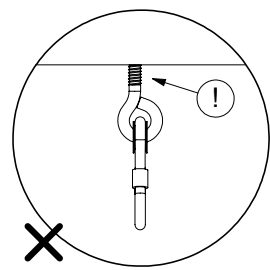
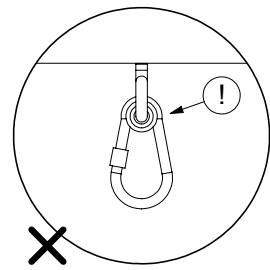
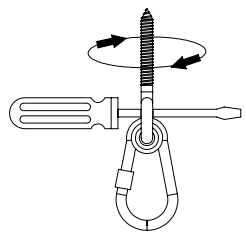
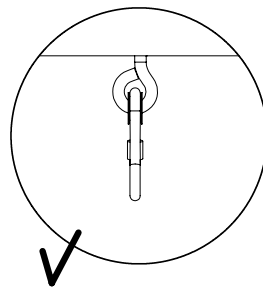
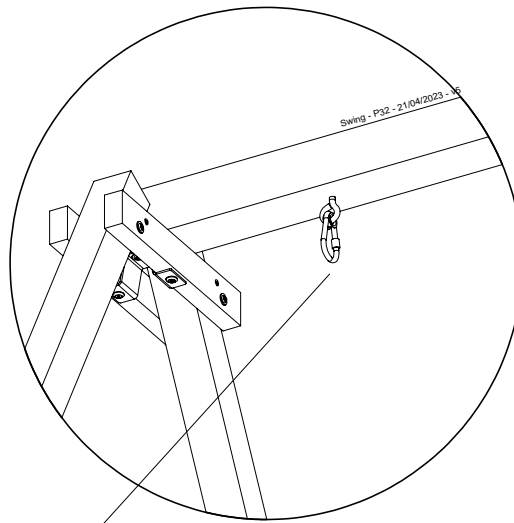
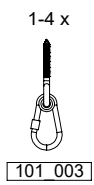
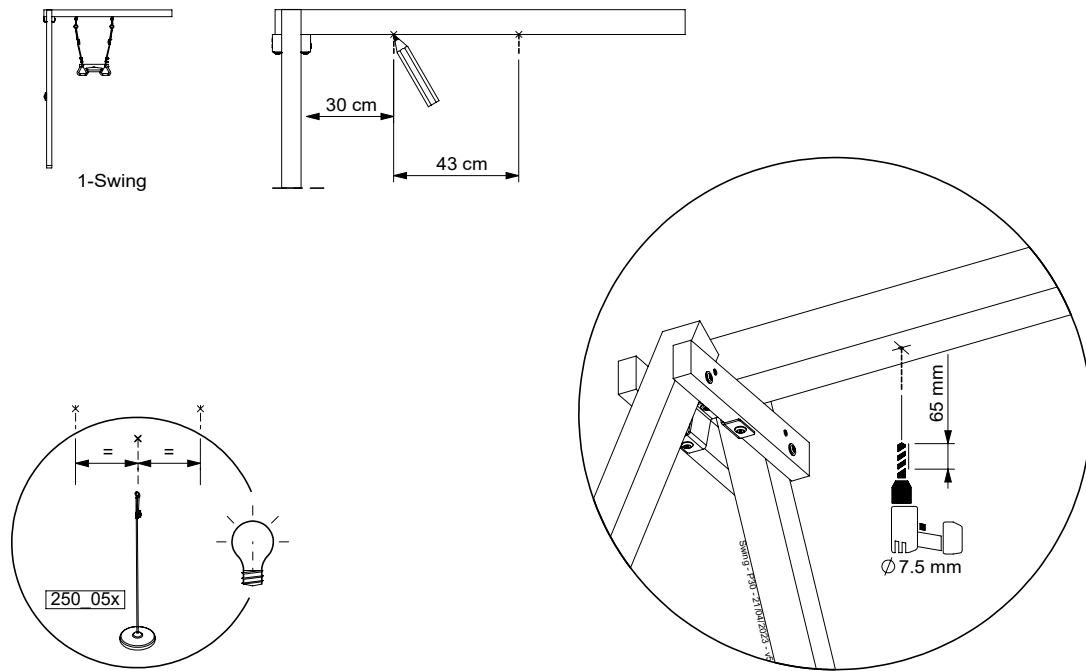
# 19.2



# 19.3

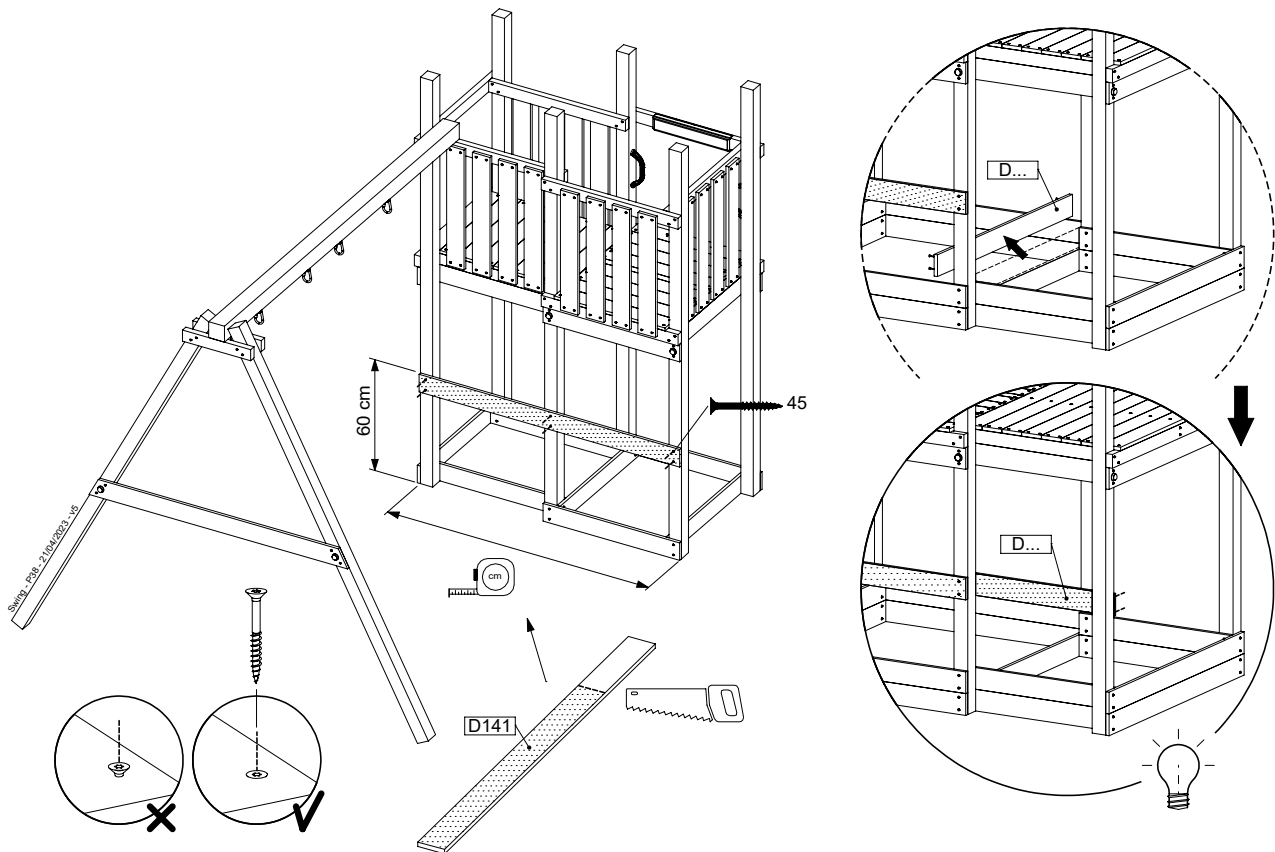
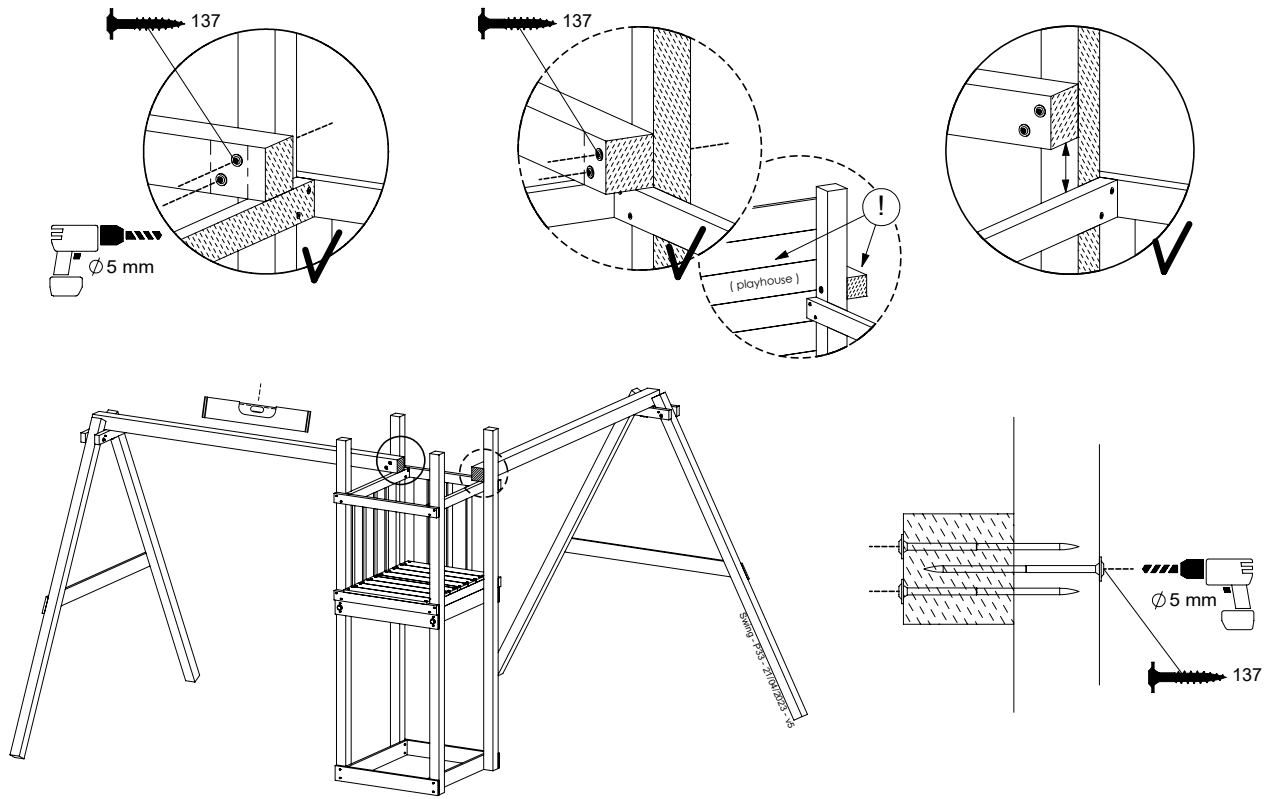


# 19.4

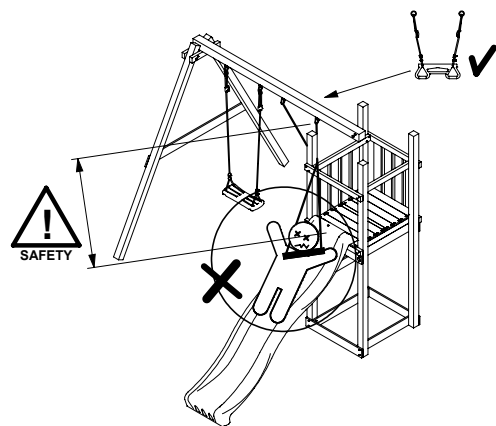
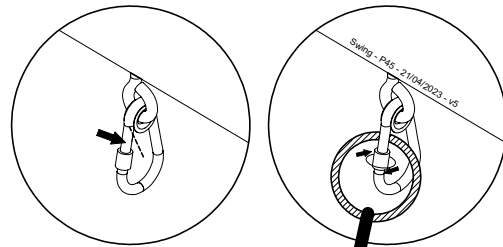
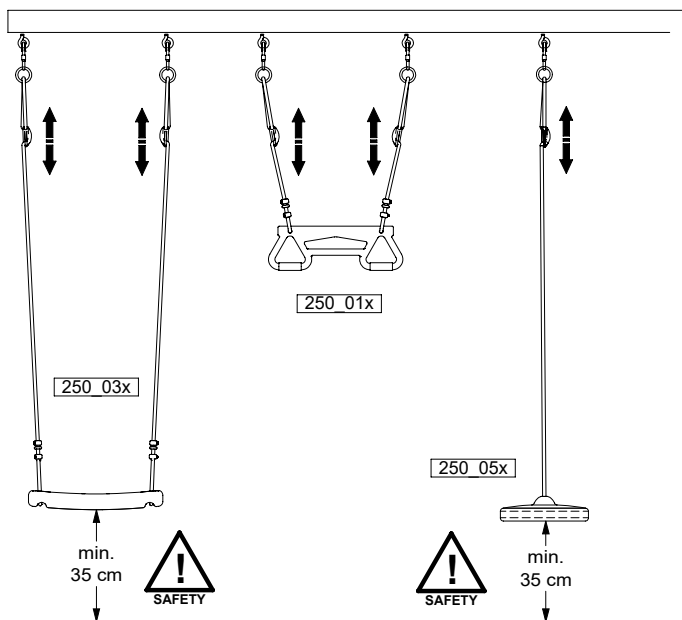
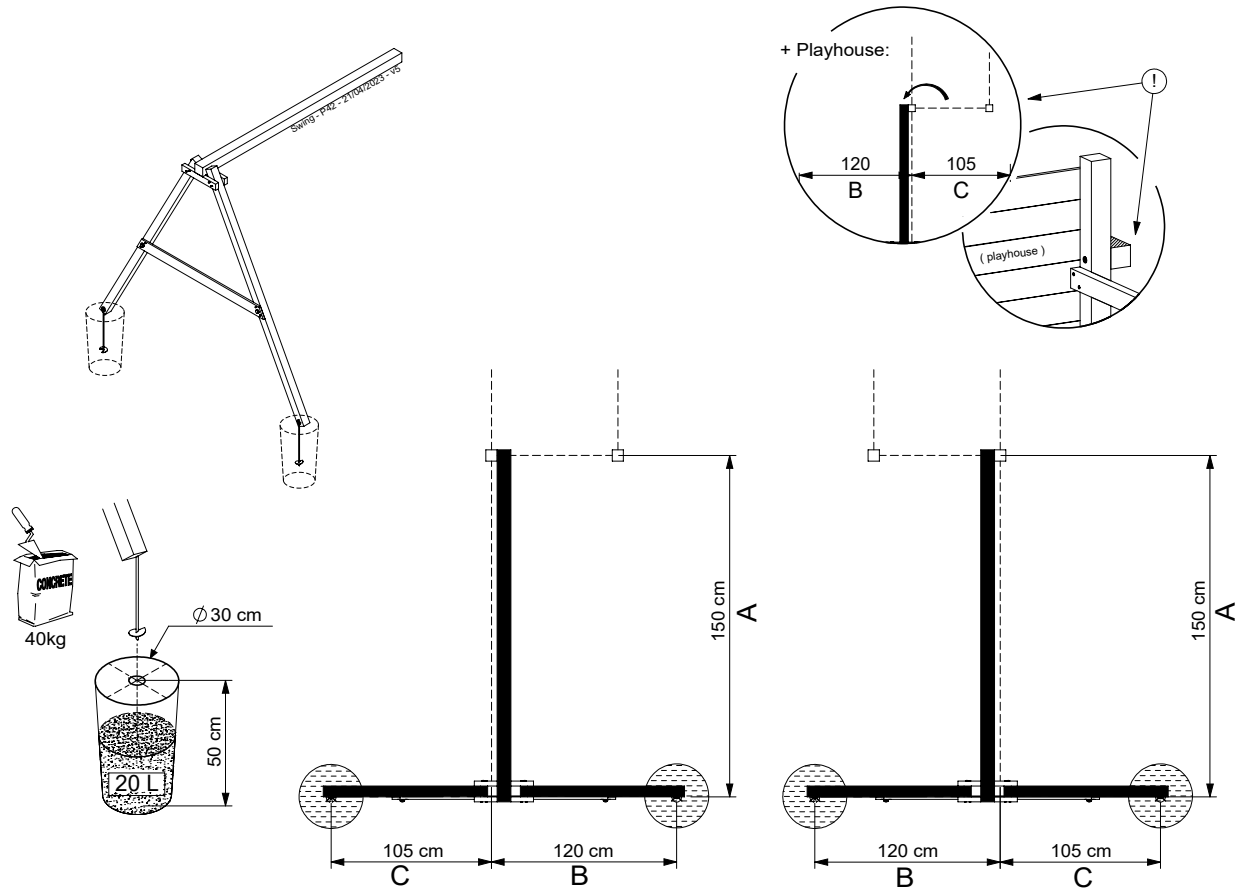




# 19.5



# 19.6

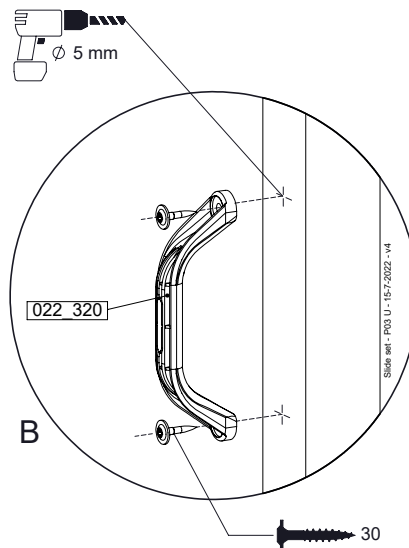
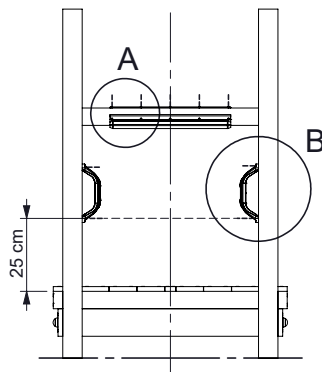
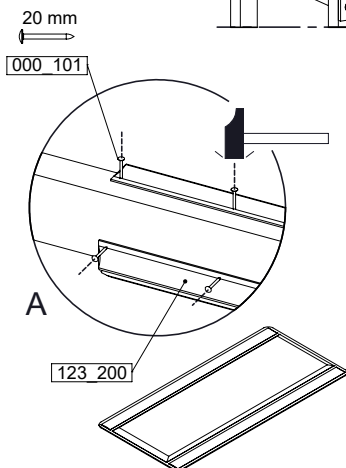
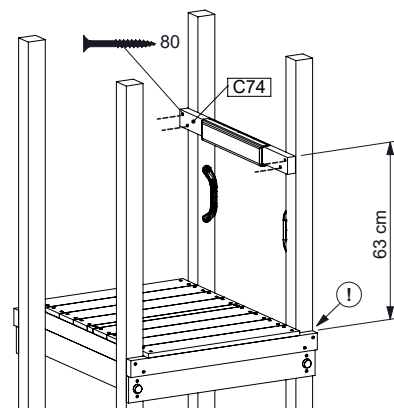
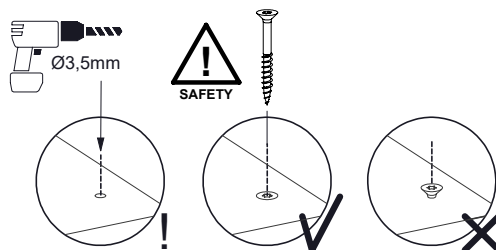
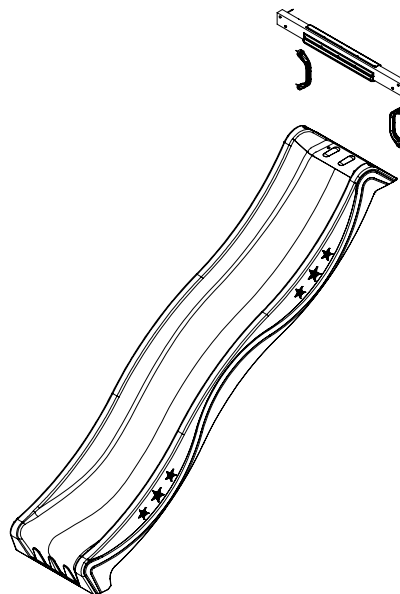


# 20 SL01: Slide 80 125 U

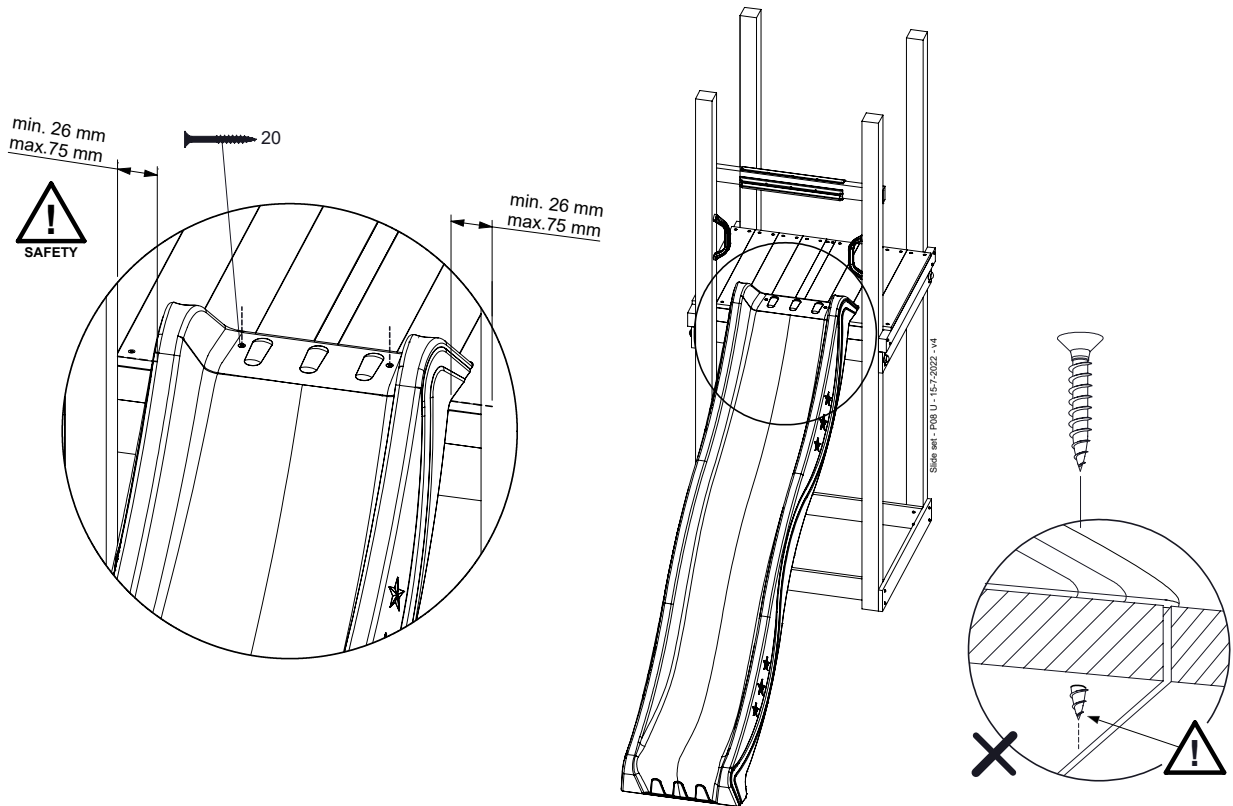
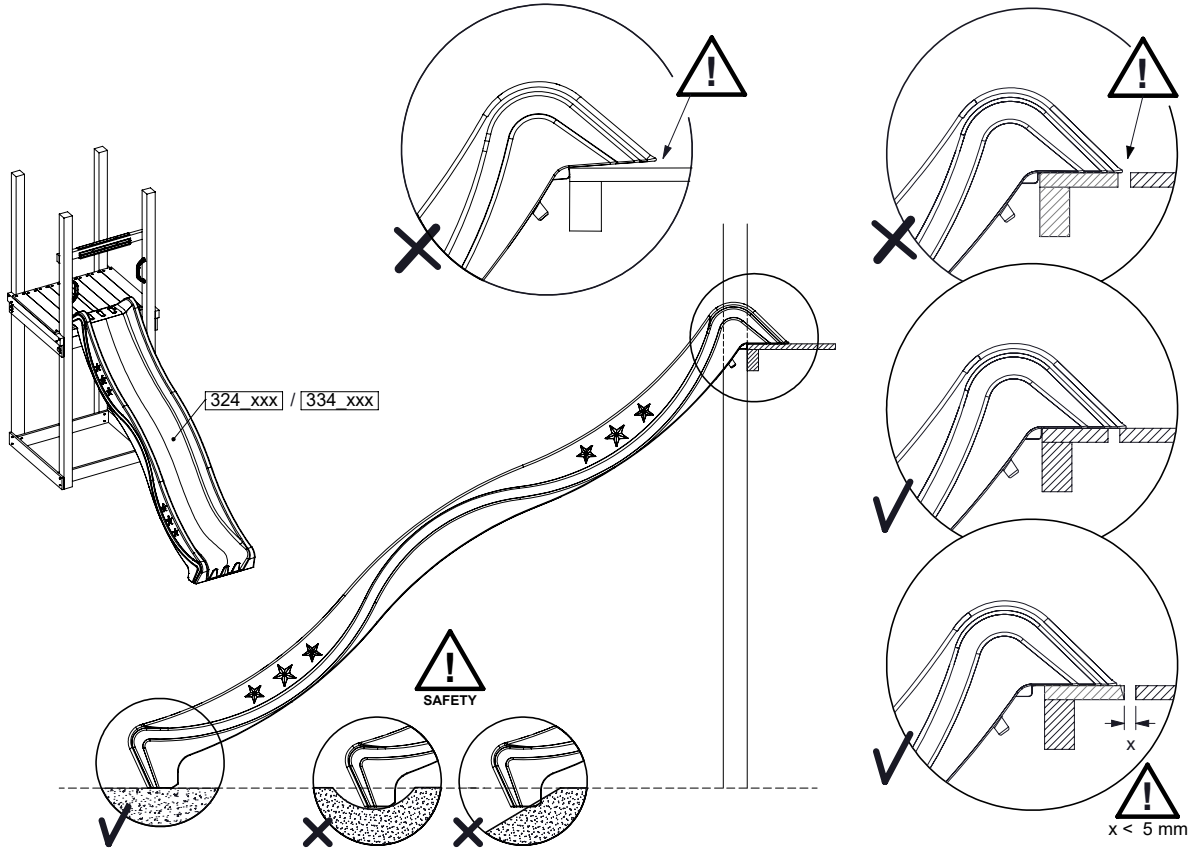
( 194\_107 )

	PartNo	PartName	QTY.
Hardware Pack 100_605	000_101	Nail Pan Head	10
	002_223	Gap Point Screw T25 - 5x80	4
	002_308	Gap Point Screw T25 - 5x20	2
Other	120_102	Handgrip set (2x Complete)	1
	123_200	Bumperpad	1
	324_xxx 334_xxx	Wavy Star Slide XL 2200 mm / Wavy Star Slide XL 2650 mm	1
Timber	C74	Beam 740 mm	1

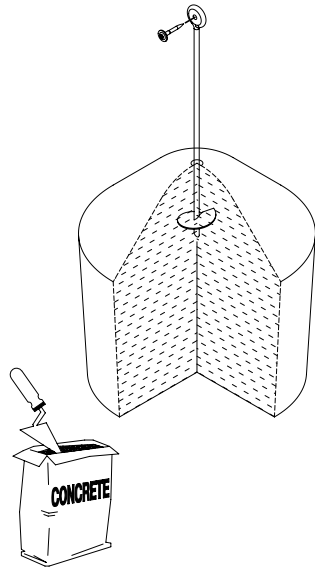
Slide set - P02 - 15-7-2022 - v4



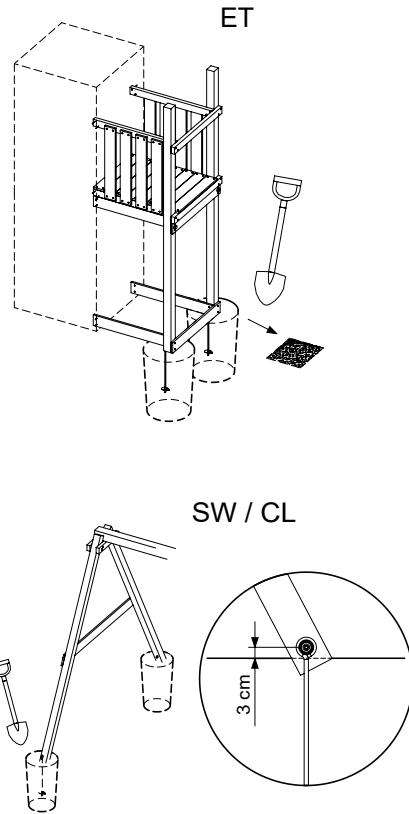
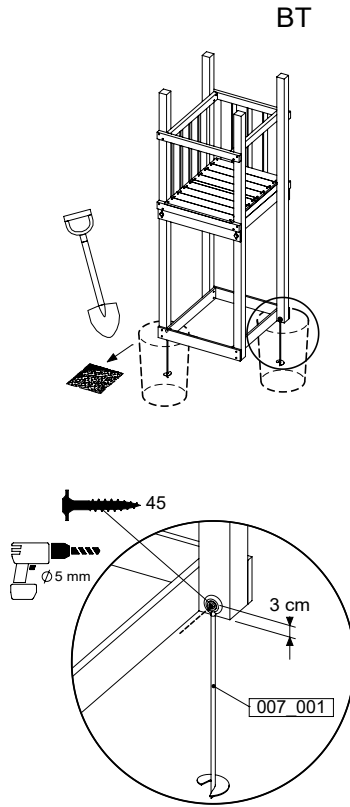
# 20.1



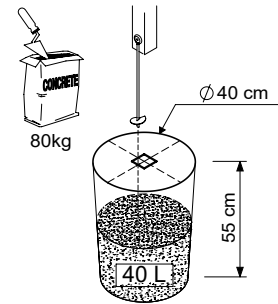
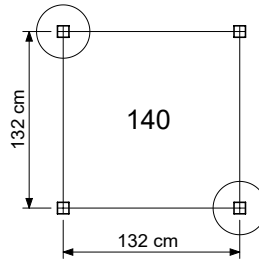
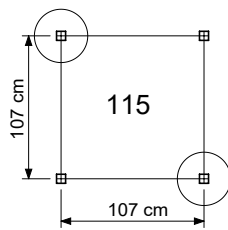
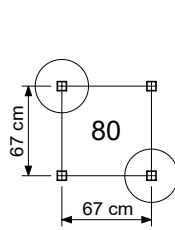
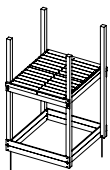
# 21 GA: Ground Anchors



Ground Anchors Uni. - P03 - 14/04/2023 - v1.1

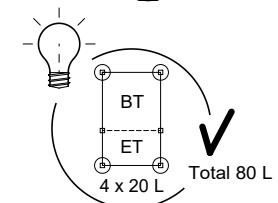
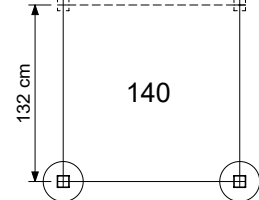
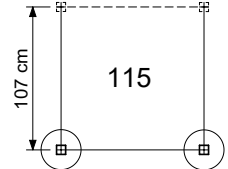
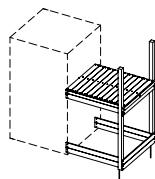
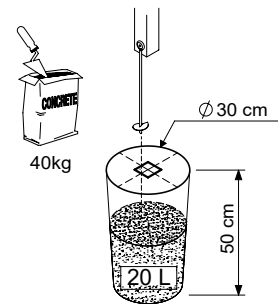
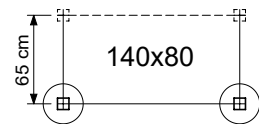
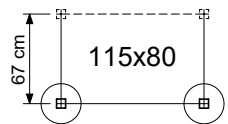
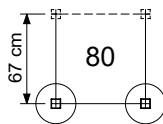
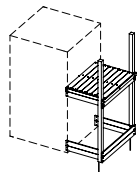


BASE TOWERS



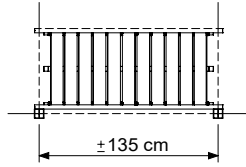
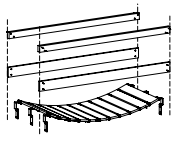
Ground Anchors Uni. - P01 - 14/04/2023 - v1.1

EXTENSION TOWERS

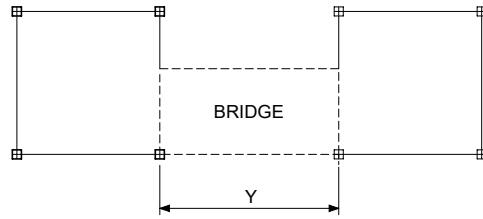
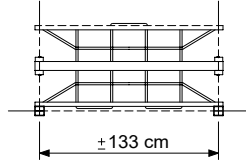
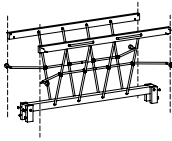


# 21.1

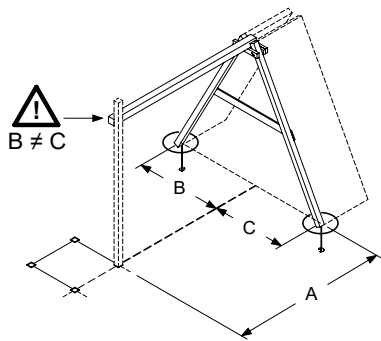
CLATTER BRIDGE



NET BRIDGE

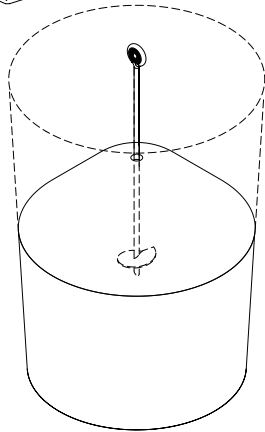
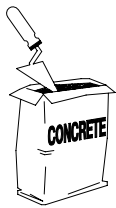
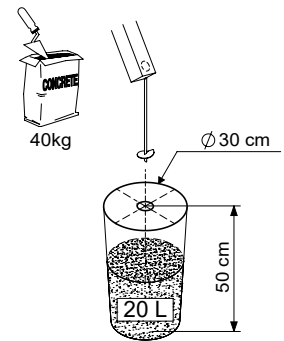


SWING / CLIMB MODULE

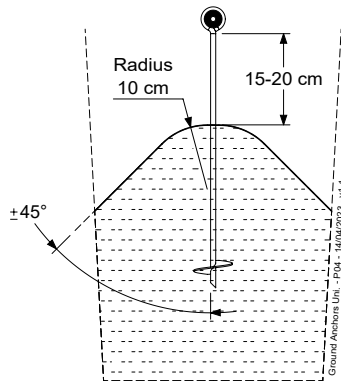


Module type	A	B	C
1-Swing 200	150	115	100
1-Swing 220 / 220 Extra		120	105
2-Swing 200	210	115	100
2-Climb 200			
1-Climb 200	142	120	105
1-Climb 220 / 220 Extra	162		
2-Swing 220 / 220 Extra	230	120	105
2-Climb 220 / 220 Extra			

Ground Anchors Unit - POZ - 140/02/2023 - v1.1



1.

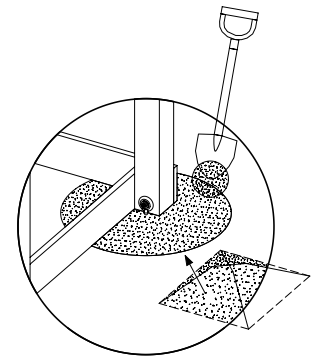


2.

24h



3.



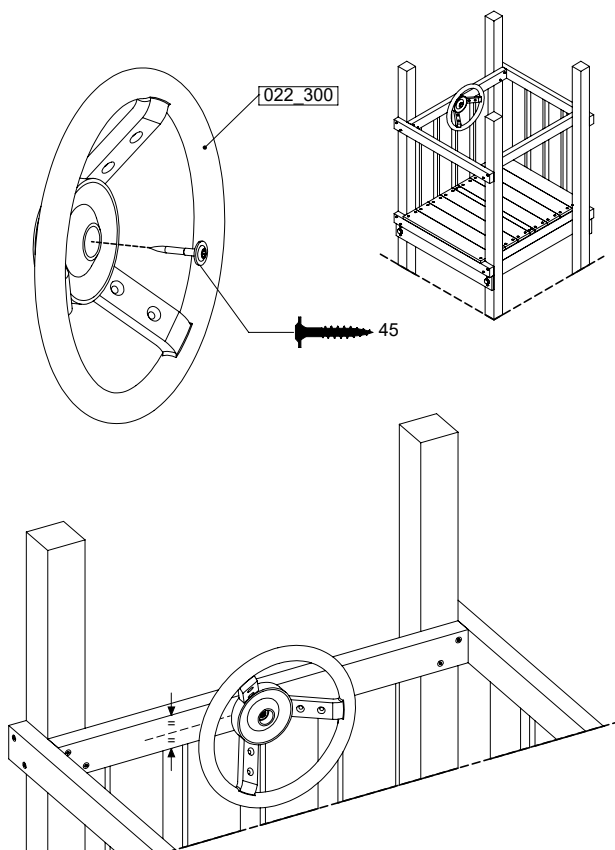
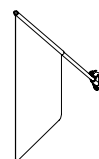
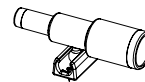
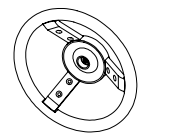
4.

## 22 AC01: Accessories

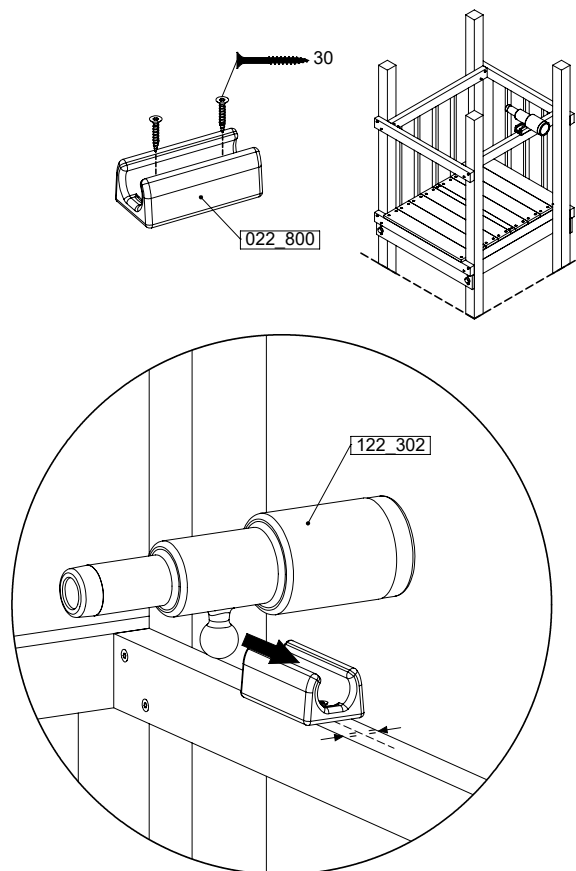
( 194\_119 )

	PartNo	PartName	QTY.
Hardware Pack 100_617	001_406	Stealth Screw 8x45	1
	002_041	Dome head screw 4.5 x 20 mm	3
	002_042	Dome head screw 3.5 x 13mm	4
	002_219	Gap Point Screw T25 - 5x30	2
Other	022_300	Steering Wheel	1
	022_800	Rail P/T 105	1
	022_910	Sandpad	1
	103_901	Logo ID Plate	1
	104_107	Tool Set Climbing Units	1
	120_024	Tower Flag	1
	122_302	Telescope	1

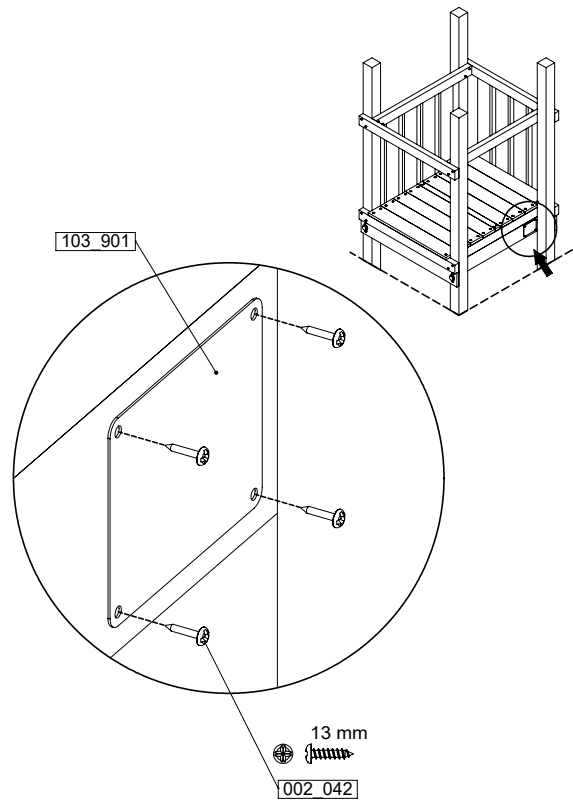
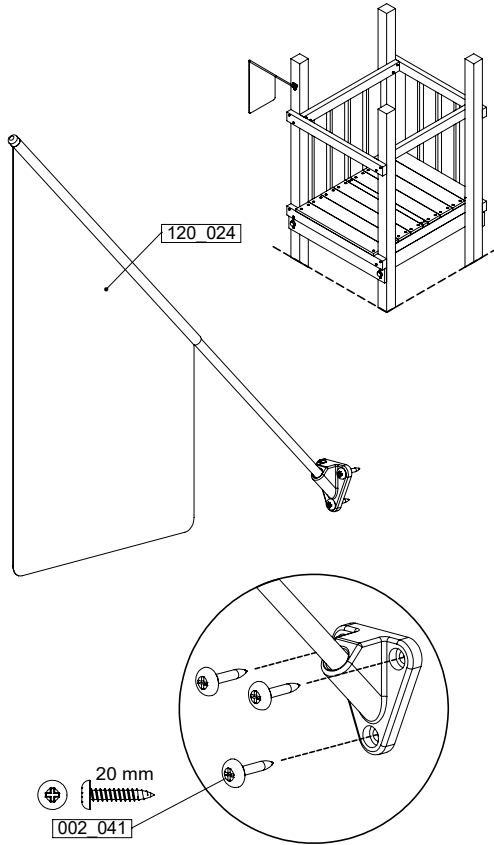
Accessory ref.: F02-230-2021 - V4



Accessory ref.: F03-250-2021 - V4



## 22.1



Accessories set - Pol - 2019-2021 - v4



# 23 Conformity: Declaration of Conformity

## Declaration of Conformity



### Manufacturer details

Company Name	Tag-line
Jungle Gym B.V.	Backyard Playgrounds
Address	
P.O. Box 75083, 1070 AB Amsterdam, Netherlands	

### Activity toys for domestic use

Product Range Identification

Construction Packages (Sub-Assembly)  
Universal Packs / Base Towers / Extension Towers / Roofs / Means of Exit/Access / Add-ons : 790\_001 ... 794\_911

Assembly

Playtowers : 801_005 ... 200	Links : 870_100 ... 105	Accessories : 123_220 ... 250_075
Playhouses : 830_150 ... 253, 835_251 ... 253	Swings : 801_300, _600, _601	Slides (XL) : 324_100 ... 600
Modules : 850_180 ... 415		Slides (XXL) : 334_100 ... 600
: 857_103, 857_108	Playtowers : 802_202 ... 208	
: 857_151, 857_158	: 803_202 ... 210	
	: 809_202 ... 804	

### Applicable EC directives and standards

- General
- General Product Safety Directive 2001/95/EG
  - Reach directive 1907/2006
  - AfPS GS 2019:01 PAK

- Activity Toys
- Toy Safety Directive (2009/48/EG)
  - EN 71 Safety of Toys
    - EN 71-1:2014 + A1:2018 Safety of toys Mechanical and physical properties
    - EN 71-2:2020 Flammability
    - EN 71-3:2019 + A1:2021 Migration of certain elements
    - EN 71-8:2018 Safety of toys Activity toys for domestic use

### Supplementary information

Conformity to the above specified directives and standards has been frequently verified by TÜV Rheinland LGA products, DEKRA, LNE SA, since 1994. Jungle Gym participates in the European Commission for standardisation for the safety of activity toys ( TC52 / WG 10).

### Declaration

I hereby declare under our sole responsibility that the products mentioned above, to which this declaration relates, complies with the above mentioned directives and standards.






























Name  
Mr. P. Schmit / Director







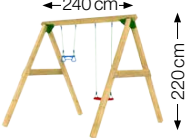




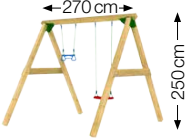
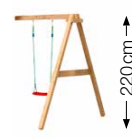



Issued date  
Januari 2<sup>nd</sup>, 2023

Signature of representative

# Construction Packages (Assembly)

## Playtowers

<p><b>S</b> Single</p>  <p><b>Jungle Tower</b> 801_200</p>	<p><b>S</b> Single</p>  <p><b>Jungle Patio</b> 802_202</p>	<p><b>S</b> Single</p>  <p><b>Jungle Cocoon</b> 802_204</p>	<p><b>S</b> Single</p>  <p><b>Jungle Cirque</b> 802_206</p>	<p><b>S</b> Single</p>  <p><b>Jungle Totem</b> 802_208</p>	<p><b>S</b> Duo</p>  <p><b>Jungle Nomad</b> 803_202</p>	<p><b>S</b> Duo</p>  <p><b>Jungle Safari</b> 803_204</p>
<p><b>S</b> Duo</p>  <p><b>Jungle Viking</b> 803_206</p>	<p><b>S</b> Duo</p>  <p><b>Jungle Teepee</b> 803_208</p>	<p><b>S</b> Duo</p>  <p><b>Jungle Resort</b> 803_210</p>	<p><b>S</b> Combo</p>  <p><b>Jungle Explorer</b> 809_802</p>	<p><b>S</b> Combo</p>  <p><b>Jungle Voyager</b> 809_804</p>	<p><b>M</b> Single</p>  <p><b>Jungle Castle</b> 801_120</p>	
<p><b>M</b> Single</p>  <p><b>Jungle Club</b> 801_110</p>	<p><b>M</b> Single</p>  <p><b>Jungle Casa</b> 801_105</p>	<p><b>M</b> Single</p>  <p><b>Jungle Home</b> 801_103</p>	<p><b>M</b> Single</p>  <p><b>Jungle Hut</b> 801_100</p>	<p><b>M</b> Single</p>  <p><b>Jungle House</b> 801_095</p>	<p><b>L</b> Single</p>  <p><b>Jungle Cottage</b> 801_090</p>	<p><b>L</b> Single</p>  <p><b>Jungle Cabin</b> 801_060</p>
<p><b>L</b> Single</p>  <p><b>Jungle Lodge</b> 801_040</p>	<p><b>L</b> Duo</p>  <p><b>Jungle Cubby</b> 801_070</p>	<p><b>L</b> Duo</p>  <p><b>Jungle Mansion</b> 801_009</p>	<p><b>XL</b> Single</p>  <p><b>Jungle Sierra</b> 801_025</p>	<p><b>XL</b> Single</p>  <p><b>Jungle Fort</b> 801_010</p>	<p><b>XL</b> Single</p>  <p><b>Jungle Chalet</b> 801_013</p>	<p><b>XL</b> Duo</p>  <p><b>Jungle Palace</b> 801_005</p>

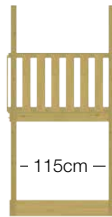
Swings	Swing Module	Climb Module	Bridge Module
 <p><b>Jungle Peak</b> 801_300</p>	 200 cm  200 cm <p><b>1-Swing Module 200</b> 857_101</p> <p><b>2-Swing Module 200</b> 857_102</p>	 200 cm  200 cm <p><b>1-Climb Module 200</b> 857_105</p> <p><b>2-Climb Module 200</b> 857_106</p>	 <p><b>Bridge Module</b> 850_240</p>
 240 cm 220 cm <p><b>Jungle Swing</b> 801_601</p>	 220 cm  220 cm <p><b>1-Swing Module 220</b> 857_151</p> <p><b>2-Swing Module 220</b> 857_154</p>	 220 cm  220 cm <p><b>1-Climb Module 220</b> 857_157</p> <p><b>2-Climb Module 220</b> 857_158</p>	
 270 cm 250 cm <p><b>Jungle Swing</b> 801_602</p>	 220 cm  220 cm <p><b>1-Swing Module 220 Extra</b> 850_176</p> <p><b>2-Swing Module 220 Extra</b> 850_177</p>	 220 cm  220 cm <p><b>1-Climb Module 220 Extra</b> 850_231</p> <p><b>2-Climb Module 220 Extra</b> 850_232</p>	

# Construction Packages (Sub-Assembly)

## Base Towers (BT)



**Small BT**  
790\_001  
790\_002  
790\_003



**Medium BT**  
792\_002  
792\_003



**Large BT**  
794\_001

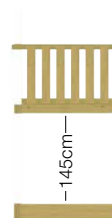
## Extension Towers (ET)



**Small ET**  
790\_101  
790\_102



**Medium ET**  
792\_101  
792\_102  
792\_103  
792\_104  
792\_105  
792\_106

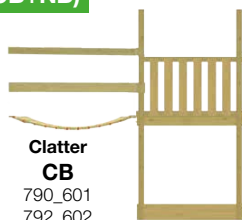


**Large ET**  
792\_107 792\_113 794\_107  
792\_108 792\_114 794\_108  
792\_109 794\_102 794\_109  
792\_110 794\_103  
792\_111 794\_104  
792\_112 794\_105

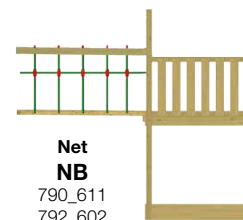


**Small ET**  
794\_110

## Modules Bridges (CB+NB)



**Clatter CB**  
790\_601  
792\_602  
794\_602



**Net NB**  
790\_611  
792\_602  
794\_602

## Modules Swings (SM)



**1-Swing Module 200 SM**  
857\_101



**2-Swing Module 200 SM**  
857\_102



**1-Swing Module 220 SM**  
857\_151



**2-Swing Module 220 SM**  
857\_152



**1-Swing Module 220 Extra SM**  
850\_176



**2-Swing Module 220 Extra SM**  
850\_177

## Modules Climbs (CM)



**1-Climb Module 200 CM**  
857\_105



**2-Climb Module 200 CM**  
857\_106



**1-Climb Module 220 CM**  
857\_157



**2-Climb Module 220 CM**  
857\_158



**1-Climb Module 220 Extra CM**  
850\_231



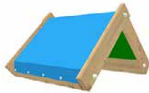
**2-Climb Module 220 Extra CM**  
850\_232

# Construction Packages (Sub-Assembly)

## Roofs (RF)



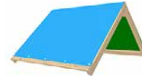
**Tipi  
RF**  
790\_203



**Gable  
RF**  
790\_202



**Pyramid  
RF**  
790\_205



**Angle 90°  
RF**  
792\_201



**Angle 120°  
RF**  
792\_206 (=115)  
794\_204 (=140)



**Tipi  
RF**  
790\_204



**Clapboard  
RF**  
790\_201



**Lookout  
RF**  
790\_206



**Angle 90°  
RF**  
792\_202 (=115)  
794\_202 (=140)



**Angle 120°  
RF**  
792\_203 (=115)  
794\_203 (=140)

## Balustrade (BA/PH)



**Balustrade panel  
BA**  
790\_301  
792\_301  
794\_301  
794\_302



**Hide panel  
PH**  
790\_311  
792\_311  
794\_311



**Wall panel  
PH**  
790\_313  
792\_313  
794\_313



**Roof panel  
PH**  
792\_314  
794\_314

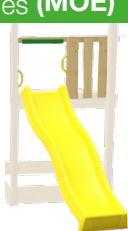


**Window panel  
PH**  
792\_202 (L)  
794\_202 (L)  
792\_203 (R)  
794\_203 (R)

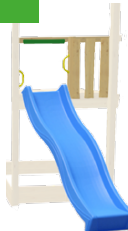


**Door panel  
PH**  
792\_204 (L)  
794\_204 (L)  
792\_205 (R)  
794\_205 (R)

## Slides (MOE)



**Slide Yellow  
SL**  
324\_100  
334\_100  
790\_901  
792\_901  
794\_901



**Slide Blue  
SL**  
324\_200  
334\_200  
790\_901  
792\_901  
794\_901



**Slide Green  
SL**  
324\_300  
334\_300  
790\_901  
792\_901  
794\_901



**Slide Red  
SL**  
324\_400  
334\_400  
790\_901  
792\_901  
794\_901



**Slide Fuchsia  
SL**  
324\_500  
334\_500  
790\_901  
792\_901  
794\_901

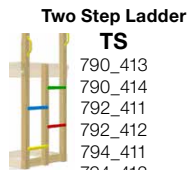


**Slide Dark Green  
SL**  
324\_600  
334\_600  
790\_901  
792\_901  
794\_901

## Means of access (MOA)



**Ladder  
LA**  
790\_433  
790\_434  
792\_431  
792\_432  
794\_431  
794\_432



**Two Step Ladder  
TS**  
790\_413  
790\_414  
792\_411  
792\_412  
794\_411  
794\_412  
794\_413  
794\_414



**Rope ladder  
RL**  
790\_421  
792\_421  
792\_422  
794\_421



**Rock wall  
RW**  
790\_403  
790\_404  
792\_401  
792\_402  
794\_401  
794\_402

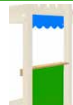


**Hamp  
RA**  
790\_441  
792\_441  
794\_441



**FMP Exit  
FP**  
790\_903  
792\_911  
794\_911

## Add-ons (ADD)



**Market  
MT**  
790\_502  
792\_502  
794\_502



**Boat front  
BO**  
790\_501

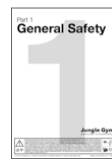


**Picnic  
PC**  
790\_503



**Picnic  
PC**  
792\_503  
794\_503

## Universal Pack (AC)

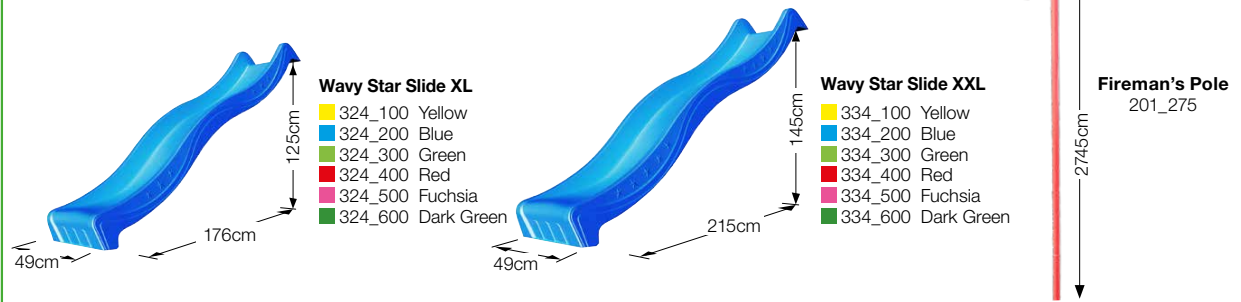


**Accessory set**  
194\_119



# Accessories

## Slides



## Climbing



## Imagination



## Swinging



## Functional



## Components

