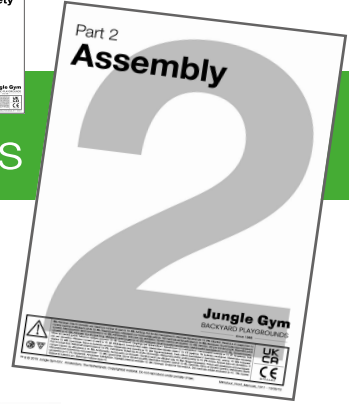


Part 2

Assembly

Instructions



Config ID: 4EBuSM

Date: 2023-05-24



Manual Part 1



Important

This assembly manual should always be read in conjunction with the General Safety manual part 1 as included in the hardware package of your playground equipment.

Please read these safety instructions carefully before starting the assembly work.

Jungle Gym

BACKYARD PLAYGROUNDS

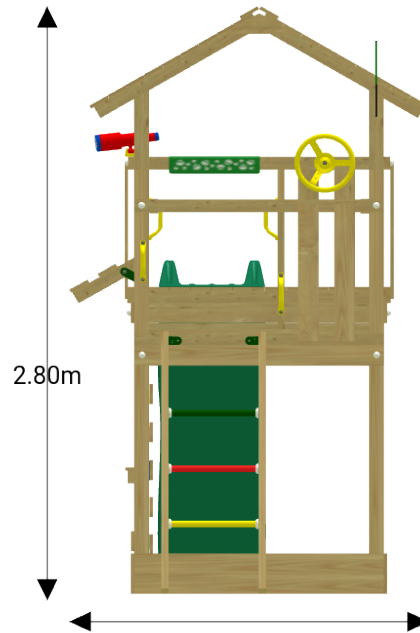
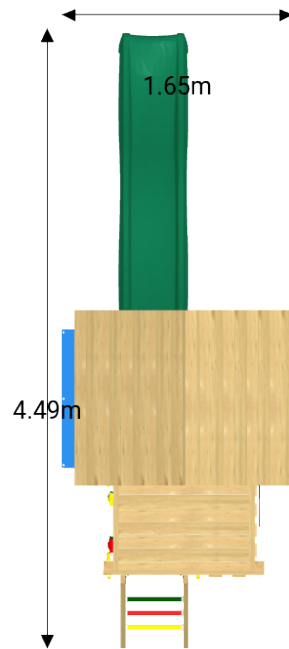
since 1988



EN. Warnings. Only for domestic use. Maximum number of users is **3**. **DE.** Achtung. Nur für den Hausgebrauch. Maximale Benutzerzahl: **3**. **FR.** Attention. Réserve à un usage privé. Le nombre maximal d'utilisateurs est de **3**. **NL.** Waarschuwingen. Uitsluitend voor huishoudelijk gebruik. Het maximale aantal gebruikers is **3**. **BG.** Внимание. За употреба само в домашни условия. Максималният брой потребители е **3**. **ES.** Advertencias. Sólo para uso doméstico. Número máximo de usuarios: **3**. **CS.** Varování. Jen pro domácí použití. Maximální počet uživatelů je **3**. **DA.** Advarsler. Kun til privat brug. Maksimum antal brugere er **3**. **ET.** Hoiatused. Ainult koduseks kasutamiseks. Maksimaalne kasutajate arv on **3**. **EL.** Προειδοποιήσεις. Μόνο για οικιακή χρήση. Μέγιστος αριθμός χρηστών **3**. **IS.** Varnaðarorð. Eingöngu fyrir einkanotkun í heimahúsum og á einkaloðum. Hámarksfjöldi notenda er **3**. **IT.** Avvertenze. Solo per uso domestico. Massimo numero di utenti è **3**. **LV.** Brīdinājumi. Izmantot tikai mājās. Maksimālais lietotāju skaits ir **3**. **LT.** Įspėjimai. Tik buitiniam naudojimui. Maksimalus naudotojų skaičius HR. Upozorenja. Samo za kućansku uporabu. Maksimalan broj korisnika je **3**. **HU.** Figyelmeztetések. Csak otthoni használatra! A használók max. száma: **3**. **NO.** Advarsler. Kun for privat bruk. Maksimalt antall brukere er **3**. **PL.** Ostrzeżenia. Wyłącznie do użytku domowego. Maksymalna liczba użytkowników to **3**. **PT.** Avisos. Apenas para uso doméstico. O número máximo de utilizadores é **3**. **RO.** Avertismente. Numai pentru uz domestic. Numărul maxim de utilizatori este **3**. **RU.** Предостережения. Только для домашнего использования. Максимальное количество пользователей - **3**. **SK.** Upozornenia. Iba na domáce použitie. Maximálne množstvo osôb je **3**. **SL.** Opozorila. Samo za domačo uporabo. Maksimalno število uporabnikov je **3**. **FI.** Varoitukset. Ainoastaan kotikäyttöön. Käyttäjää yhteensä enintään **3**. **SR.** Upozorenja. Samo za kućnu upotrebu. Maksimalan broj korisnika je **3**. **SV.** Varningar. Endast för hemmabruk. Det maximala antalet användare är **3**. **TR.** Uyarılar. Sadece ev kullanımı için. Maksimum kullanıcı sayısı **8**.



1 Views

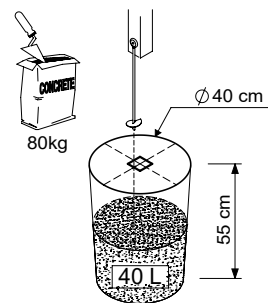
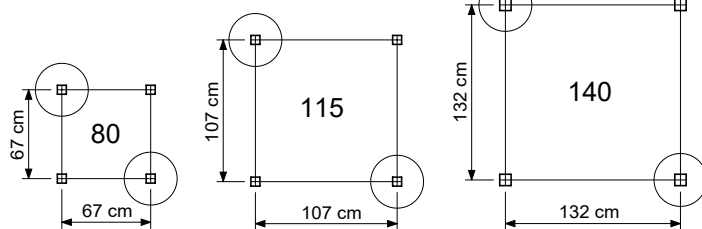
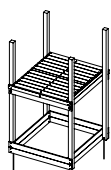


2 Order list

Nr.	SKU	Description	ID	Amount
1	792_002	Base Tower 115_ 240240	BT14	1
2	792_104	Extension Tower 11580_200_up	ET09	1
3	792_203	Roof Casa 115	RF09	1
4	790_301	Balustrade 80	BL01	1
5	792_301	Balustrade 115	BL04	2
6	790_401	Rock wall 80_125	RW01	1
7	792_431	Ladder 115_125	LA13	1
8	792_502	Market 115	MT06	1
9	792_901	Slide/ balustrade 115	SL11	1
10	194_119	AP Accessory set	AC01	1
11	334_x00	Wavy Star Slide XXL	334_x00	1

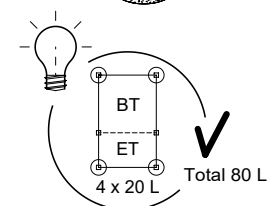
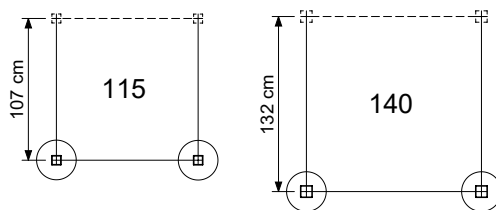
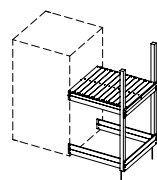
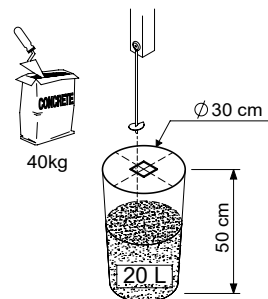
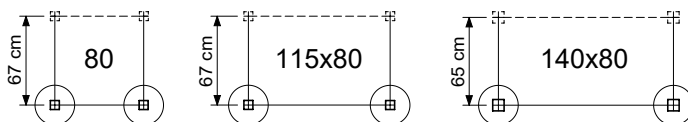
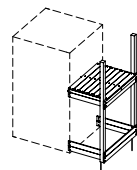
3 Anchor Plan

BASE TOWERS

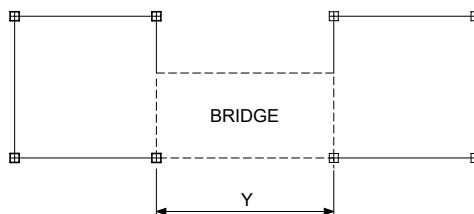
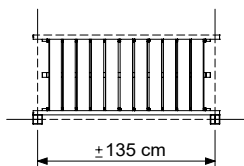
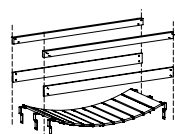


Ground Anchors Unit - P01 - 14/04/2023 - v1.1

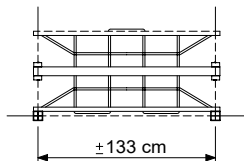
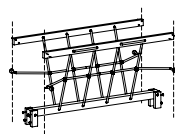
EXTENSION TOWERS



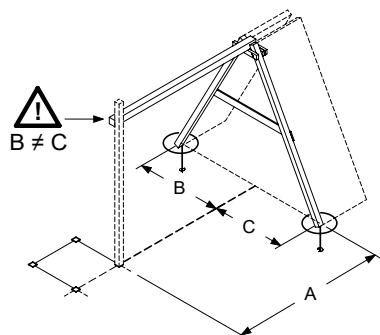
CLATTER BRIDGE



NET BRIDGE

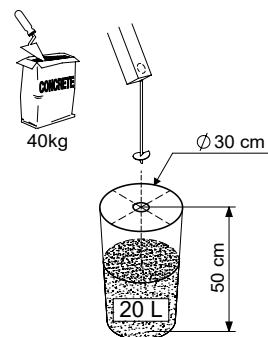


SWING / CLIMB MODULE

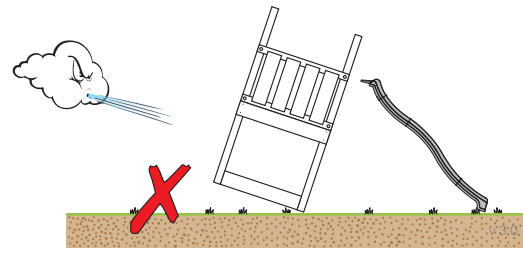
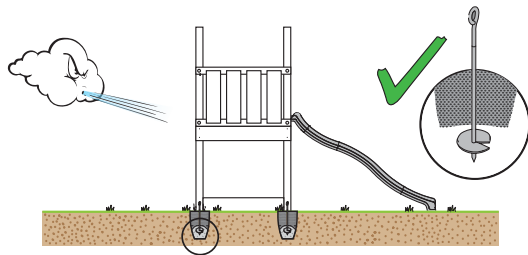
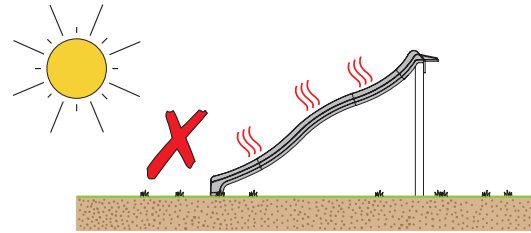
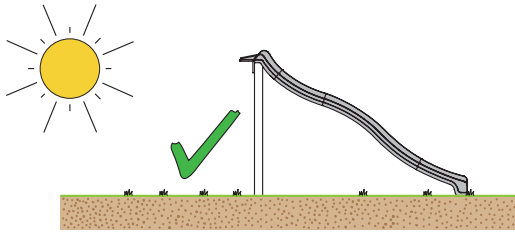
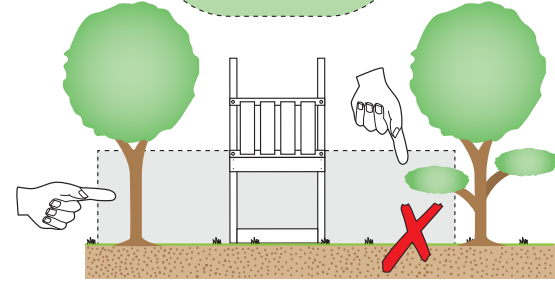
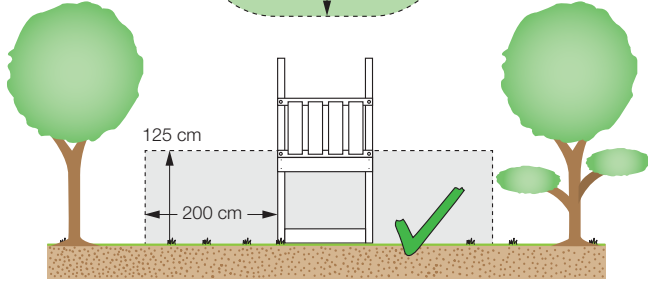
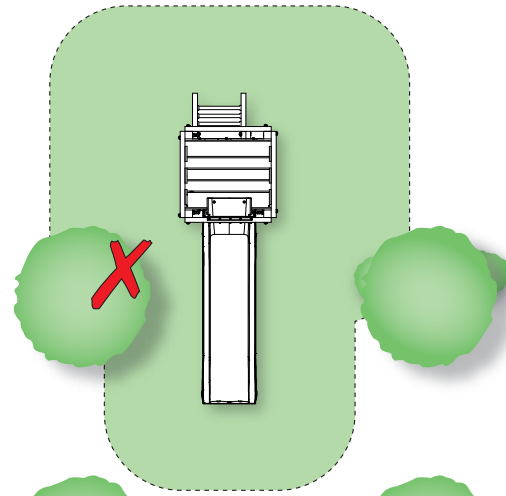
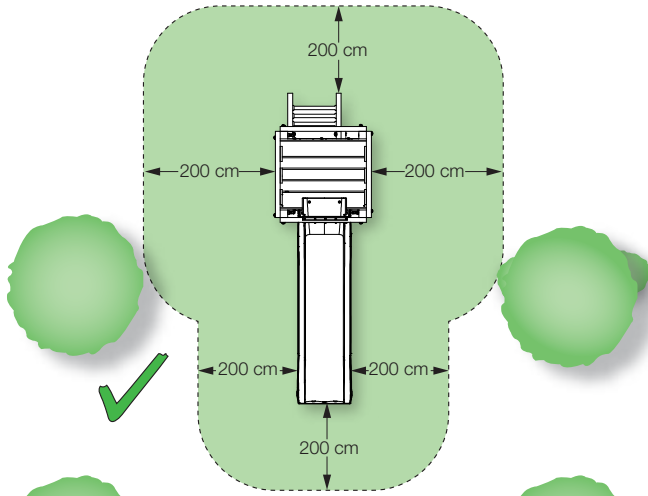
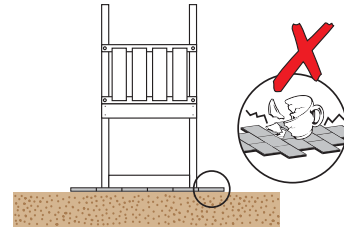
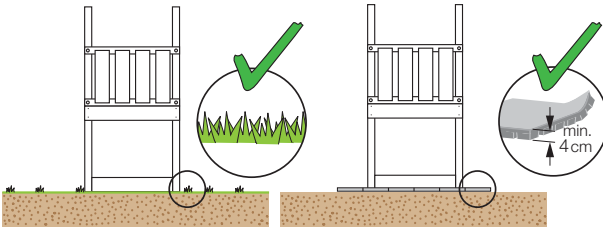
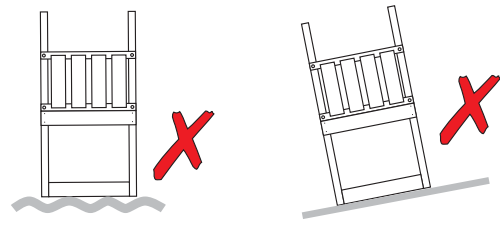
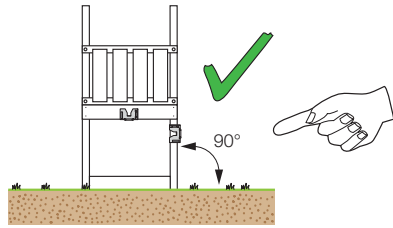


Module type	A	B	C
1-Swing 200	150	115	100
1-Swing 220 / 220 Extra		120	105
2-Swing 200	210	115	100
2-Climb 200			
1-Climb 200	142	120	105
1-Climb 220 / 220 Extra	162		
2-Swing 220 / 220 Extra	230	120	105
2-Climb 220 / 220 Extra			

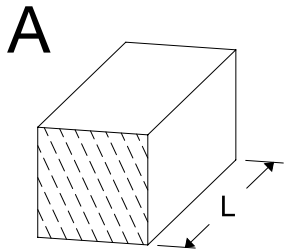
Ground Anchors Unit - P02 - 14/04/2023 - v1.1



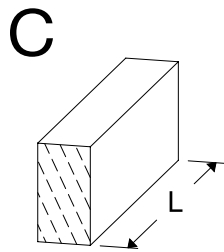
3.1 Safe Playground



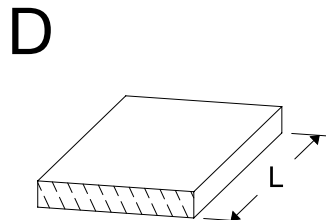
4 Timber parts



ID	L	#
A200	199 cm - 200 cm	2
A240	239 cm - 240 cm	4


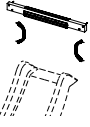

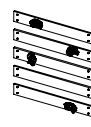
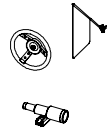
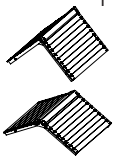
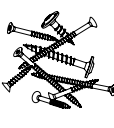
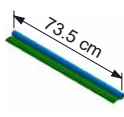

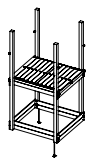
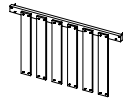


C37	36 cm - 37 cm	2
C70	69 cm - 70 cm	2
C74	73 cm - 74 cm	5
C84	83 cm - 84 cm	4
C114	113 cm - 114 cm	11
C130	129 cm - 130 cm	2



D65	64 cm - 65 cm	20
D74	73 cm - 74 cm	11
D100	99 cm - 100 cm	26
D114	113 cm - 114 cm	19
D127	126 cm - 127 cm	23

5 Assembly packs & accessories

<p>Slide 2.6m</p>  <p>334_x00</p> <p>1x</p>	<p>Slide Frame</p>  <p>194_107</p> <p>SL</p> <p>1x</p>	<p>Balustrade 80</p>  <p>194_101</p> <p>BL</p> <p>3x</p>	<p>Rock Wall 80</p>  <p>194_105</p> <p>RW</p> <p>1x</p>	<p>Accessory Set</p>  <p>194_119</p> <p>AC</p> <p>1x</p>
<p>Roof Timber 115</p>  <p>194_308</p> <p>RF</p> <p>1x</p>	<p>Hardware 11</p>  <p>194_811</p> <p>H11</p> <p>1x</p>	<p>Canvas 136 x 74cm</p>  <p>123_220</p> <p>73.5 cm</p> <p>1x</p>	<p>Ladder 125</p>  <p>194_003</p> <p>LA</p> <p>1x</p>	<p>Tower 115</p>  <p>194_300</p> <p>BT</p> <p>ET</p> <p>2x</p>
<p>Balustrade 140</p>  <p>194_501</p> <p>BL</p> <p>2x</p>				

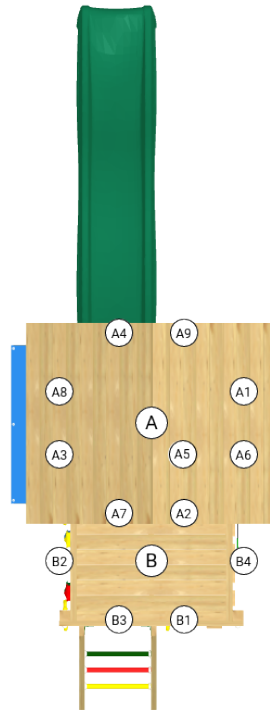
6 Hardware Identification

		L	
		000_101	20 mm
		001_102	30 mm
		001_404 001_406 001_411 001_417 001_422	30 mm 45 mm 60 mm 80 mm 137 mm
		002_036	16 mm
		002_041	20 mm
		002_042	13 mm
		002_301	40 mm

		L	
		002_308 002_219 002_220 002_223	20 mm 30 mm 45 mm 80 mm
		003_010	
		003_034	
		004_050	22mm
		022_845 022_846 022_847 022_848	Yellow Blue Green Red
		023_031	White
		120_005	White

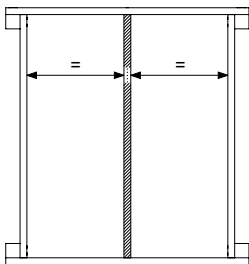
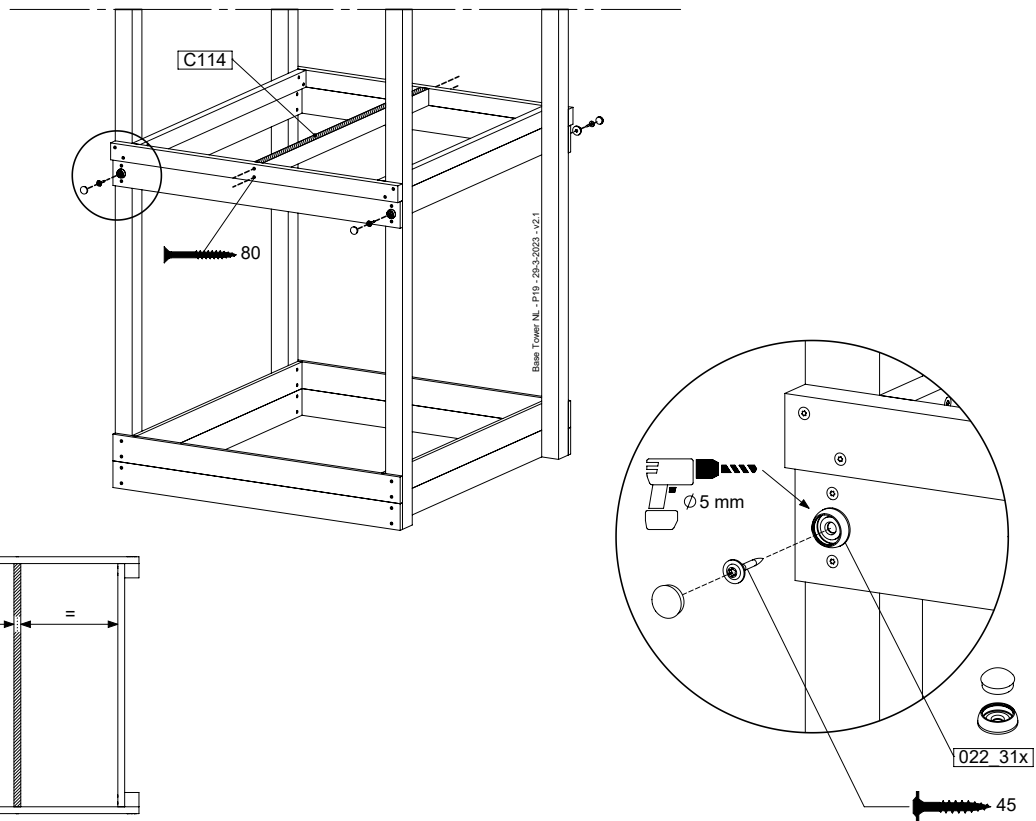
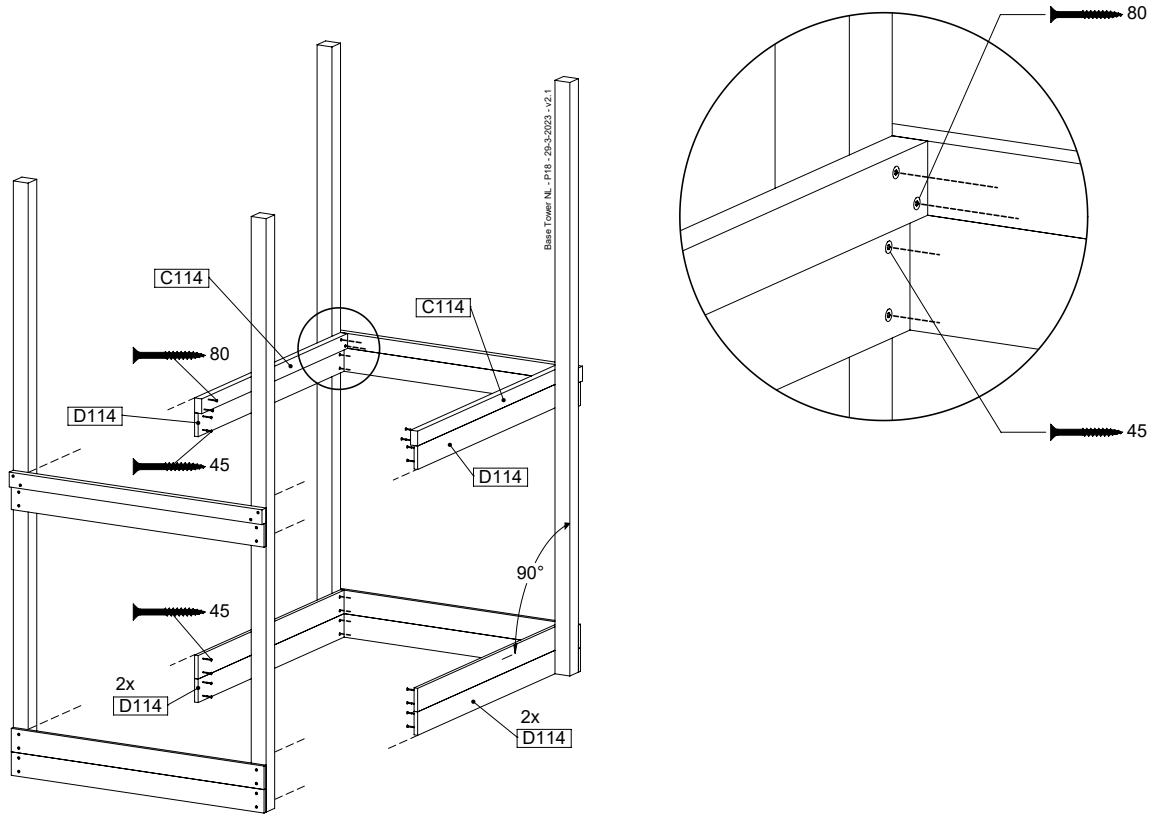
output: 20/11/20

7 Assembly Planning

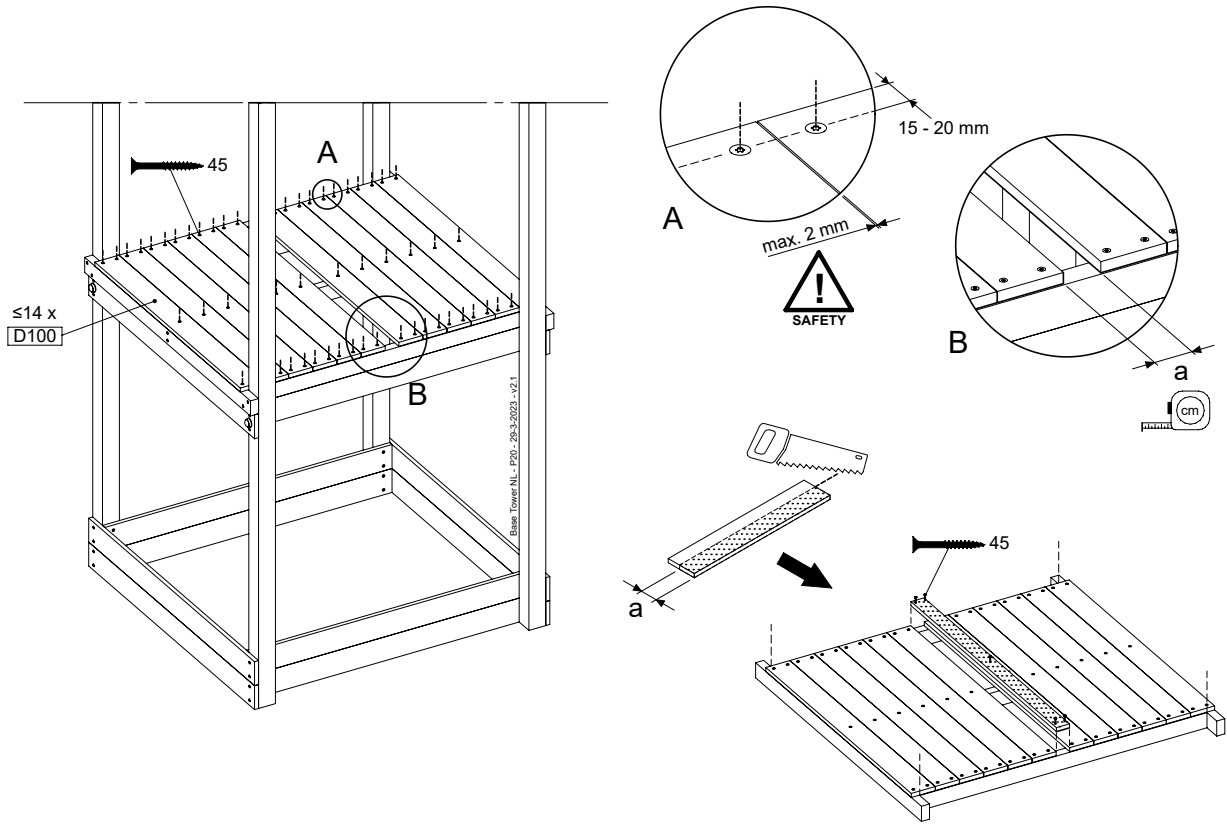


	ID			A	B
1	BT14		p.10	✓	-
2	ET09		p.13	-	✓
3	RW01		p.16	-	B2
4	BL01		p.18	-	B4
5	BL04		p.19	A1, A3	-
6	RF09		p.20	A5	-
7	MT06		p.23	A3	-
8	LA13		p.27	-	B3
9	SL11		p.30	A4	-
10	GA		p.33	✓	✓
11	AC01		p.35	✓	-

8.1



8.2

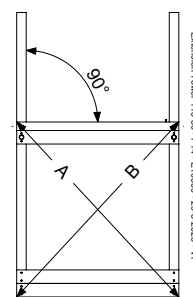
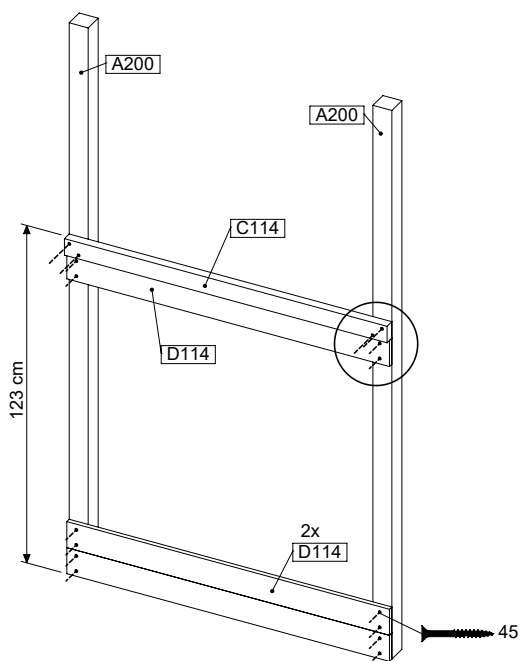
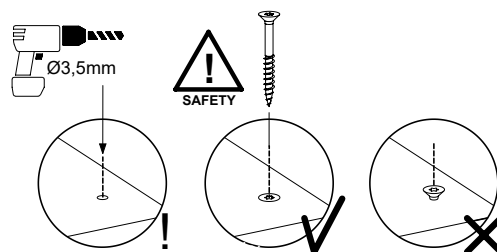
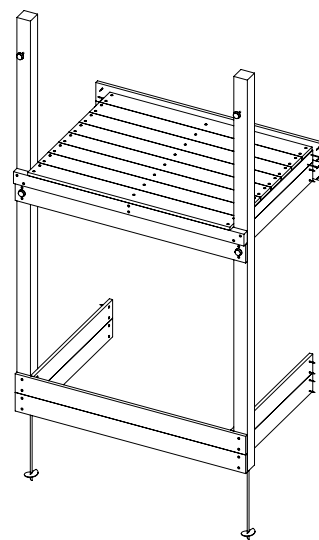


9 ET09: Extension Tower 11580 200/125

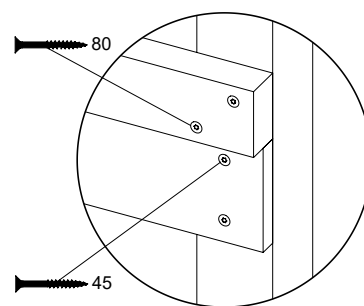
(194_300)

	PartNo	PartName	QTY.
Hardware pack	001_406	Stealth Screw 8x45	4
	001_417	Stealth Screw 8x80	2
	002_220	Gap Point Screw T25 - 5x45	93
	002_223	Gap Point Screw T25 - 5x80	16
Other	007_001	Ground-anchor	2
	022_31x	bpc-base version 3	4
	022_84x	bpc cover	4
Timber	A200	Post 70x70 L2000	2
	C74	Beam 740 mm	3
	C114	Beam 1140 mm	1
	D74	Board 740 mm	6
	D100	Board 1000 mm	9
	D114	Board 1140 mm	6

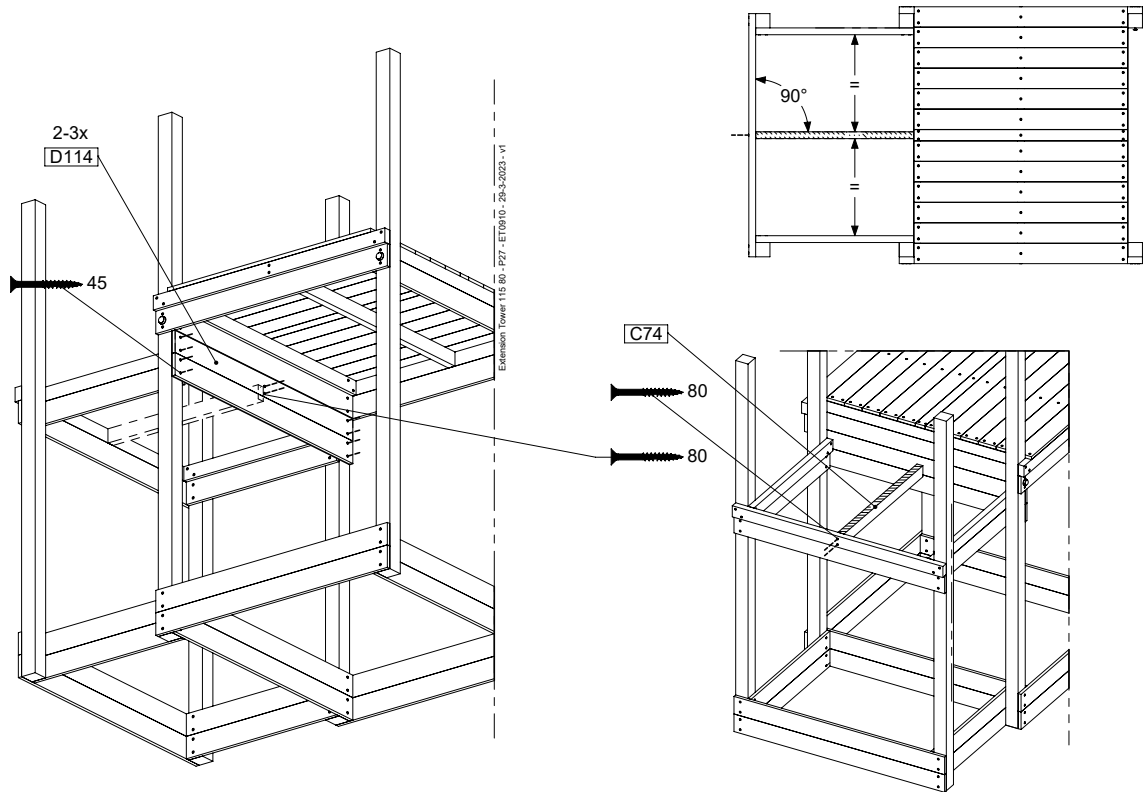
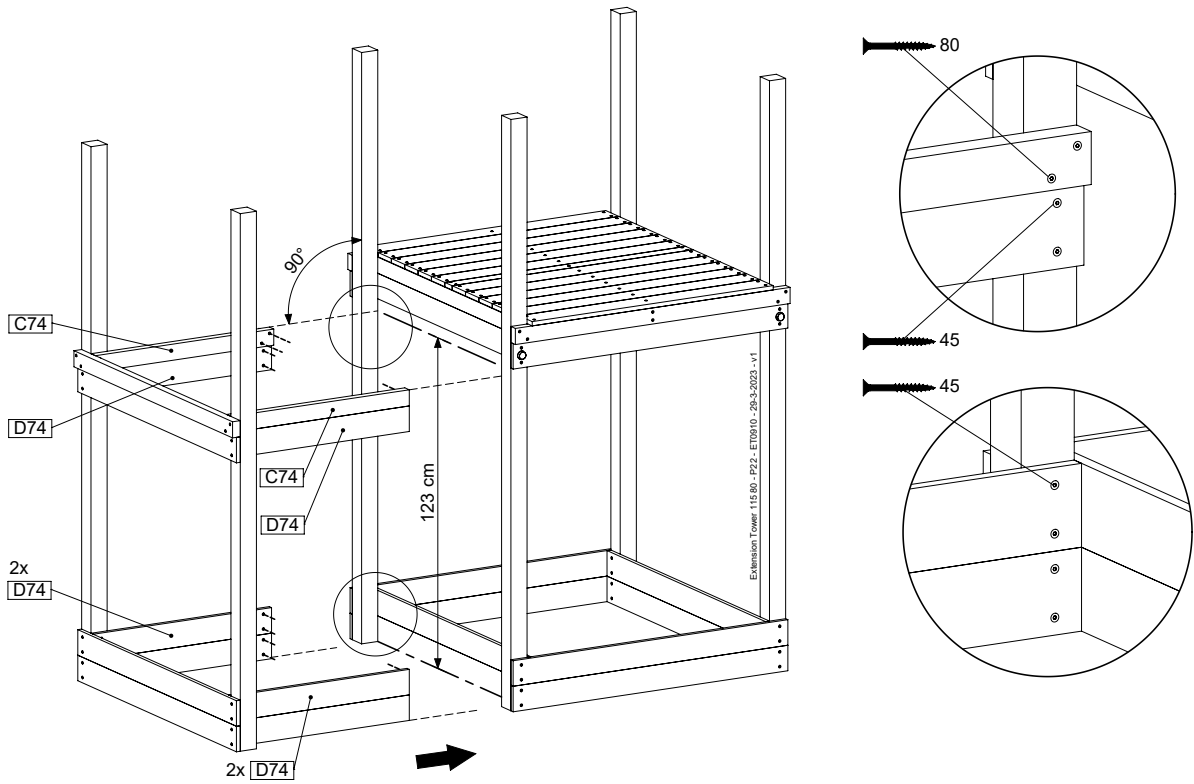
Extension Tower 115 80 - P06 - ET09 - 20-3-2023 - v1



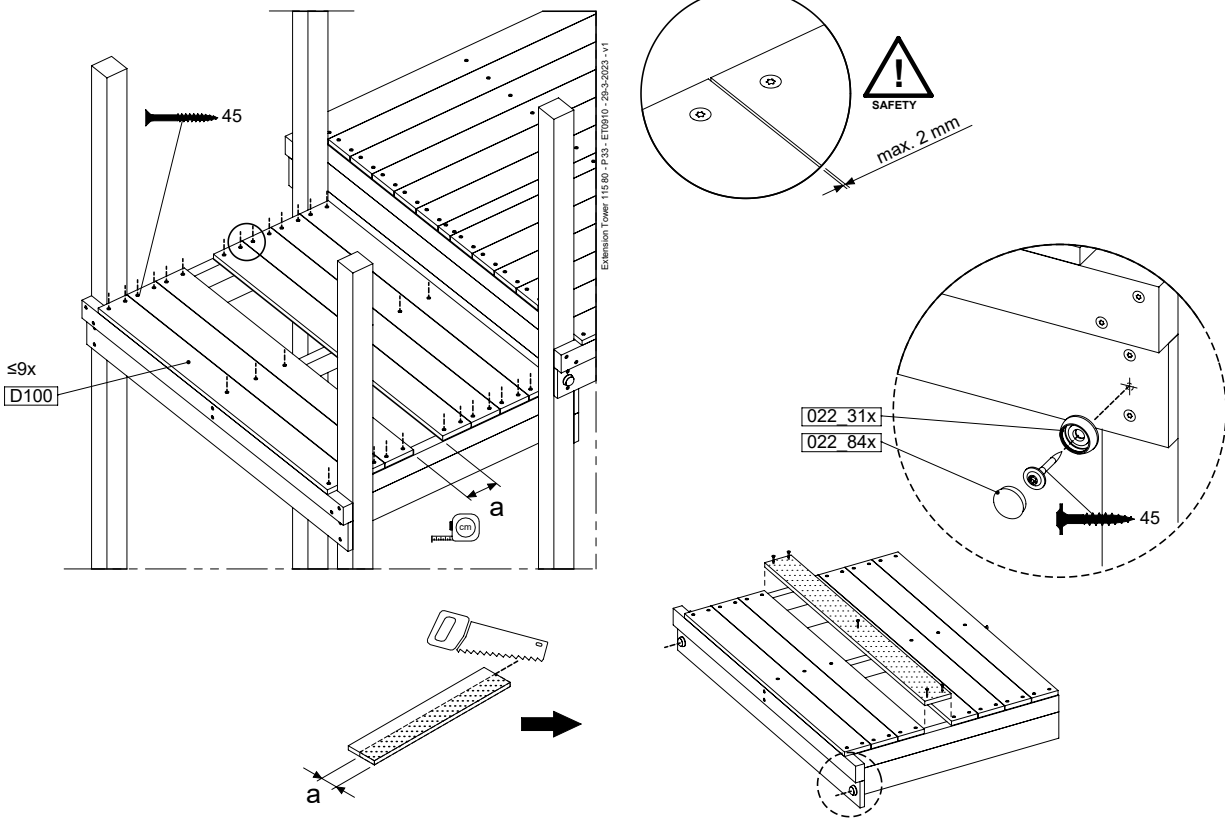
Extension Tower 115 80 - P14 - ET09 - 20-3-2023 - v1



9.1



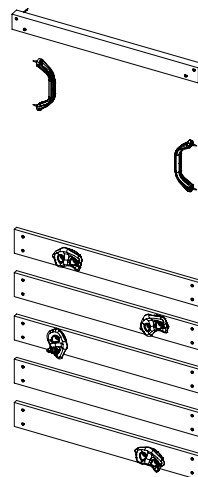
9.2



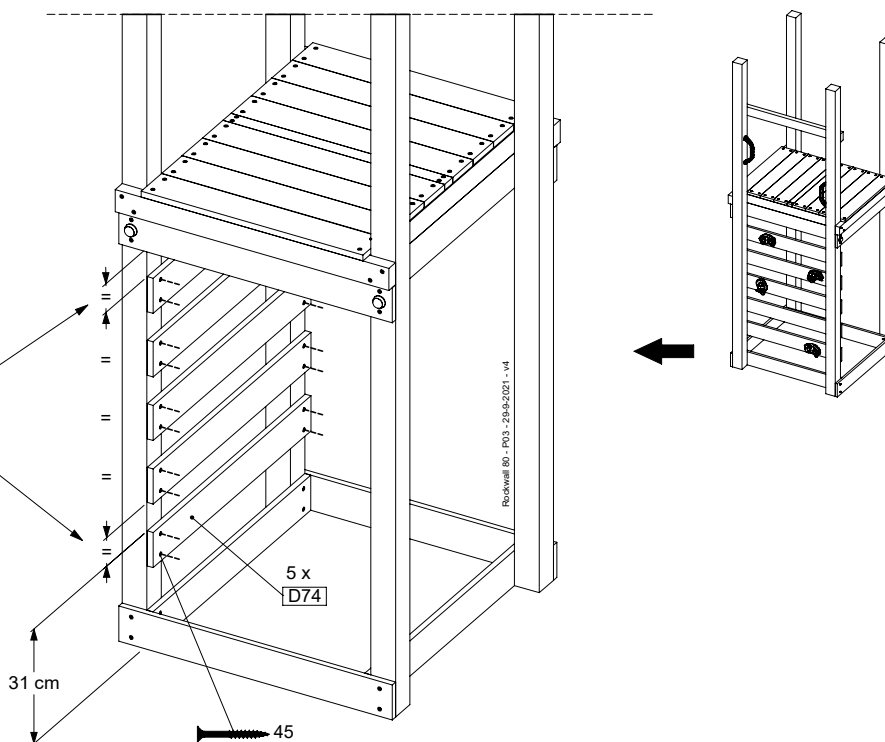
10 RW01: Rock wall 80 125 U

(194_105)

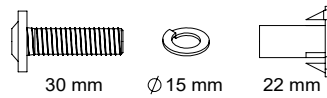
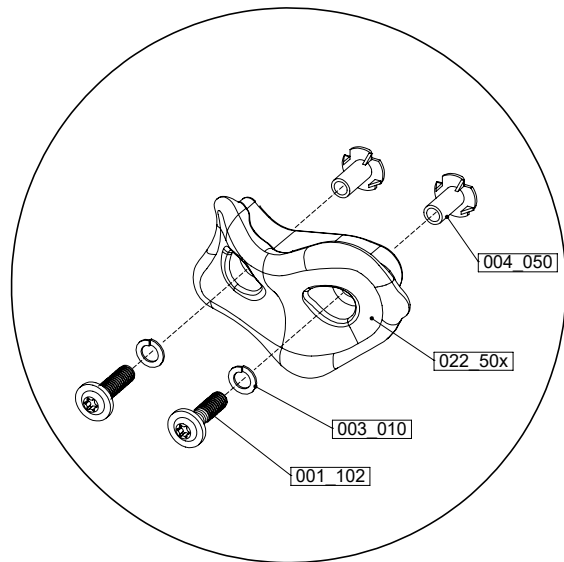
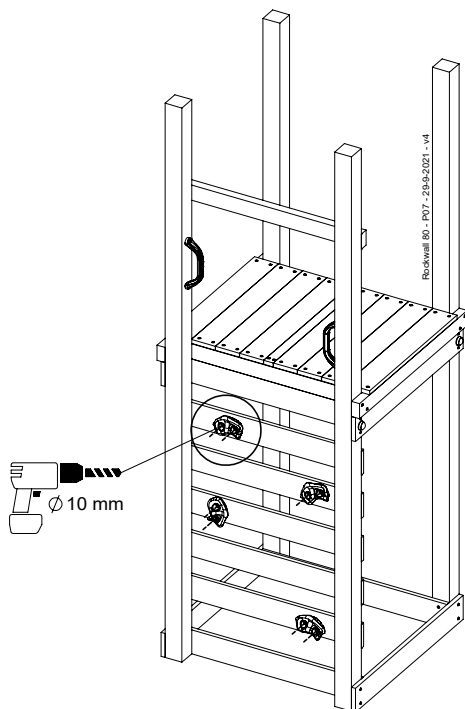
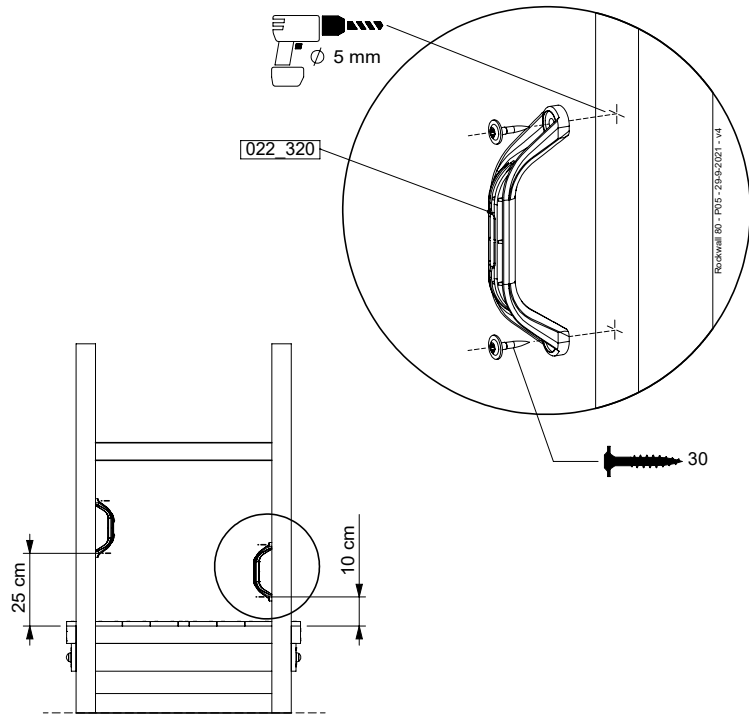
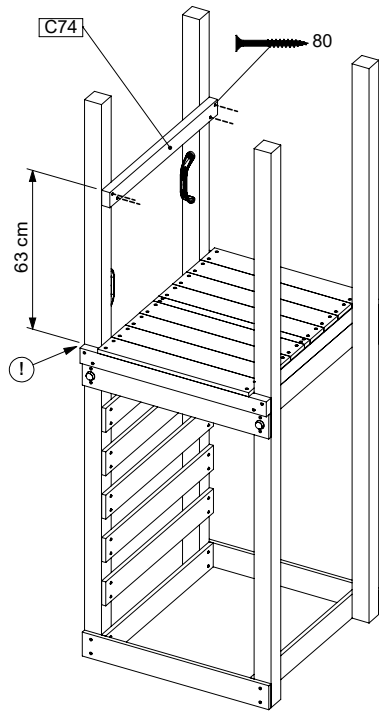
	PartNo	PartName	QTY.
Hardware pack 100_604	001_102	Washer Head Screw T40 M8x30	8
	002_220	Gap Point Screw T25 - 5x45	24
	002_223	Gap Point Screw T25 - 5x80	4
	003_010	M8 spring lock washer	8
	004_050	M8 22mm Drive in Nut	8
Other	022_50x	Climbing Rock	4
	120_102	Handgrip set (2x Complete)	1
Timber	C74	Beam 740 mm	1
	D74	Board 740 mm	5



min. 2,6 cm
max. 8,8 cm



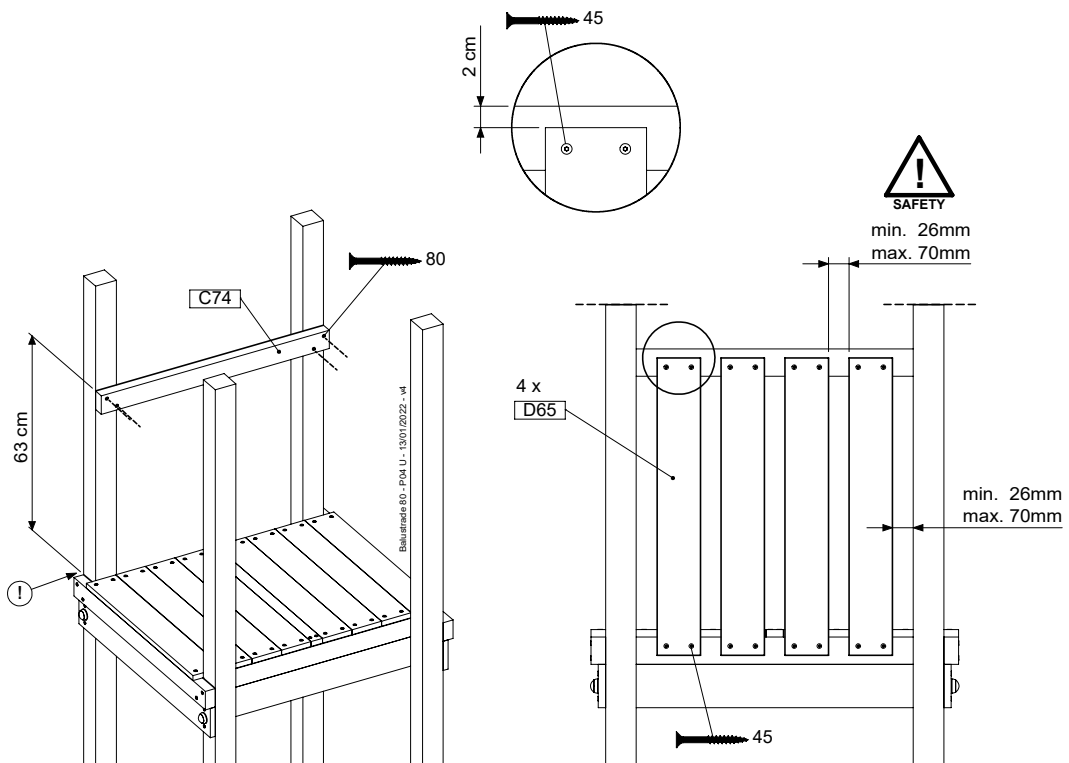
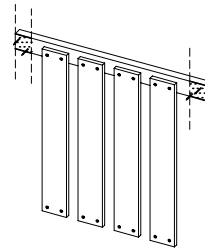
10.1



11 BL01: Balustrade 80 U - 7x7 posts

(194_101)

	PartNo	PartName	QTY.
Hardware Pack 100_601	002_220	Gap Point Screw T25 - 5x45	16
	002_223	Gap Point Screw T25 - 5x80	4
Timber	C74	Beam 740 mm	1
	D65	Board 650 mm	4

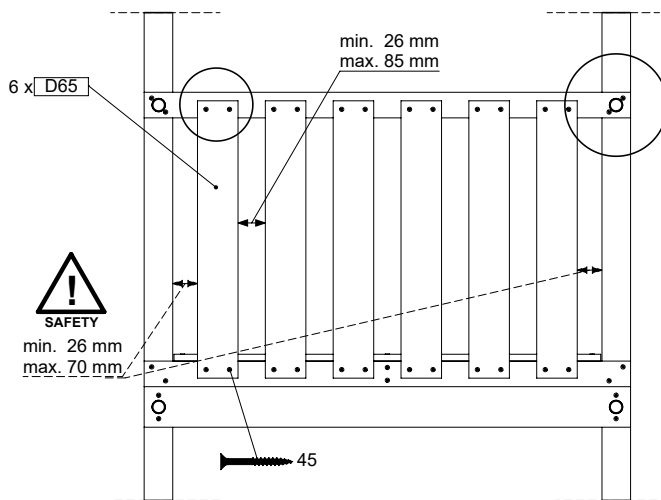
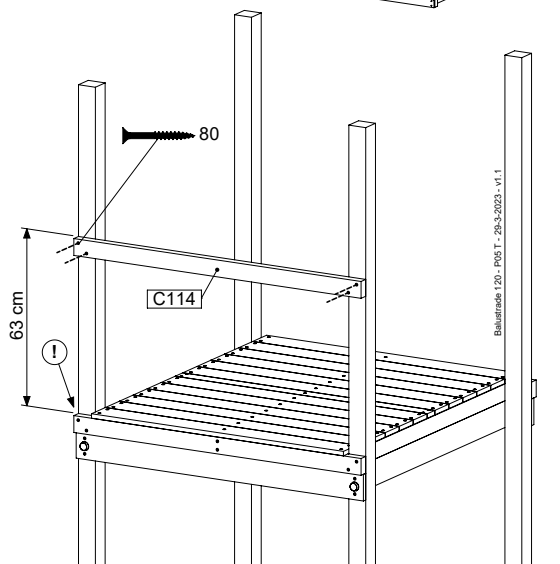
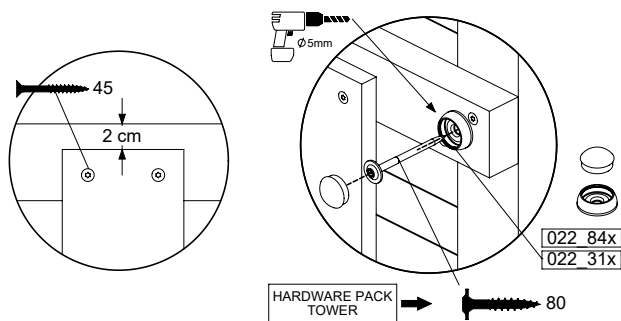
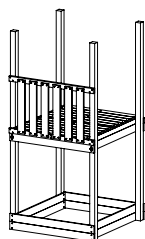
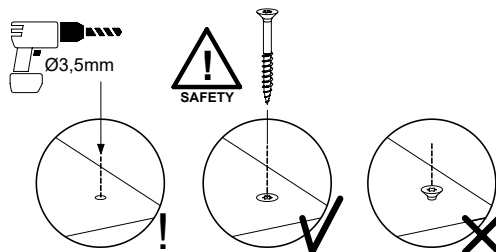
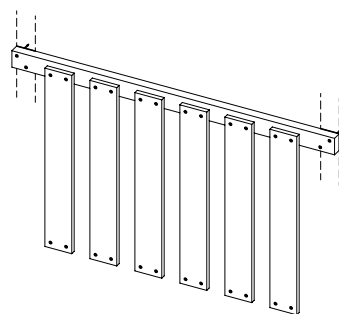


12 BL04: Balustrade 115 T

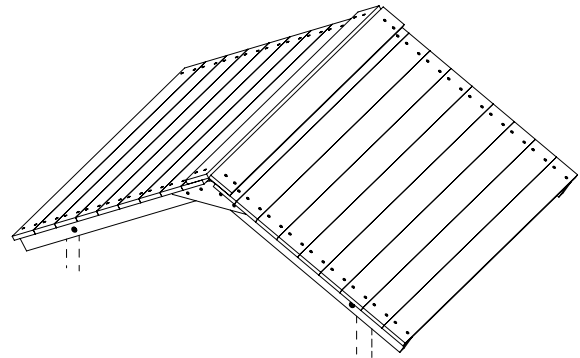
(194_501)

	PartNo	PartName	QTY.
Hardware Pack	002_220	Gap Point Screw T25 - 5x45	24
	002_223	Gap Point Screw T25 - 5x80	4
Timber	C114	Beam 1140 mm	1
	D65	Board 650 mm	6

Balustrade 120 - P03 T - 29-3-2023 - v1.1



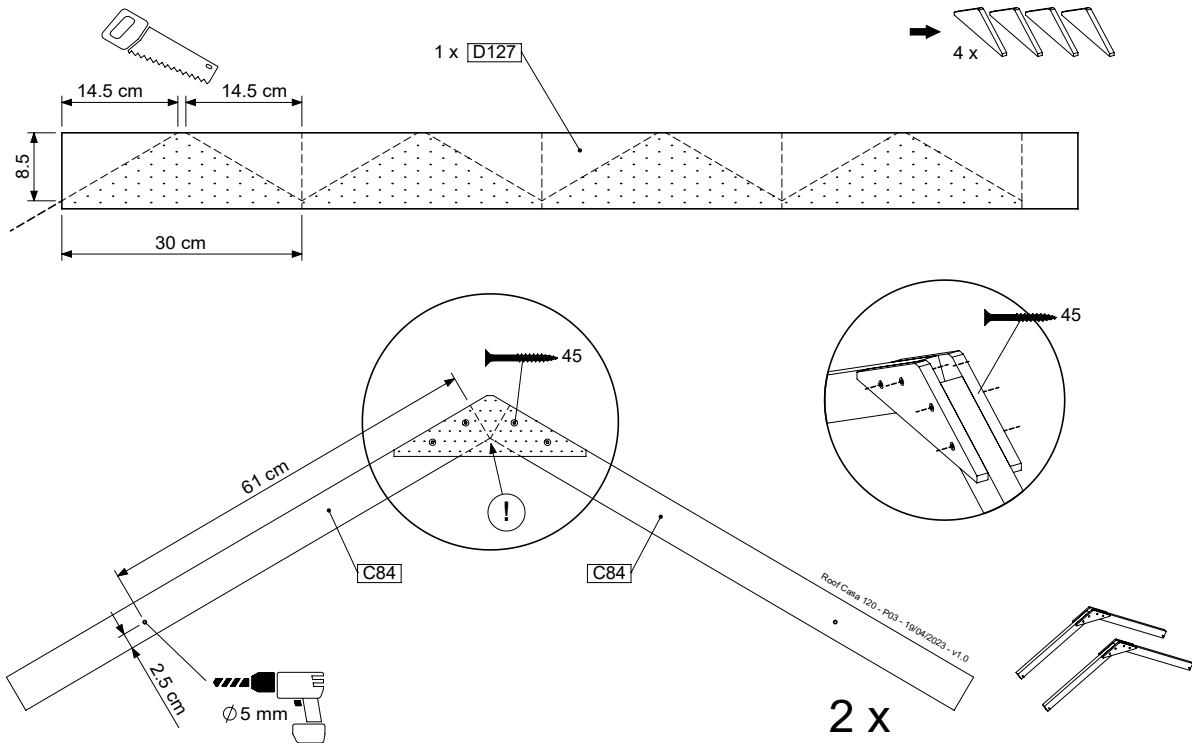
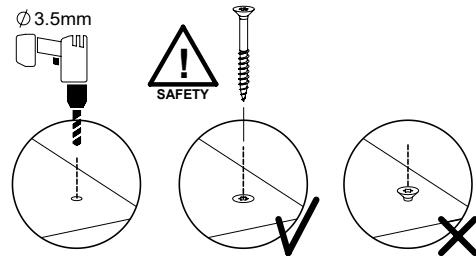
13 RF09: Roof Timber Slope 115



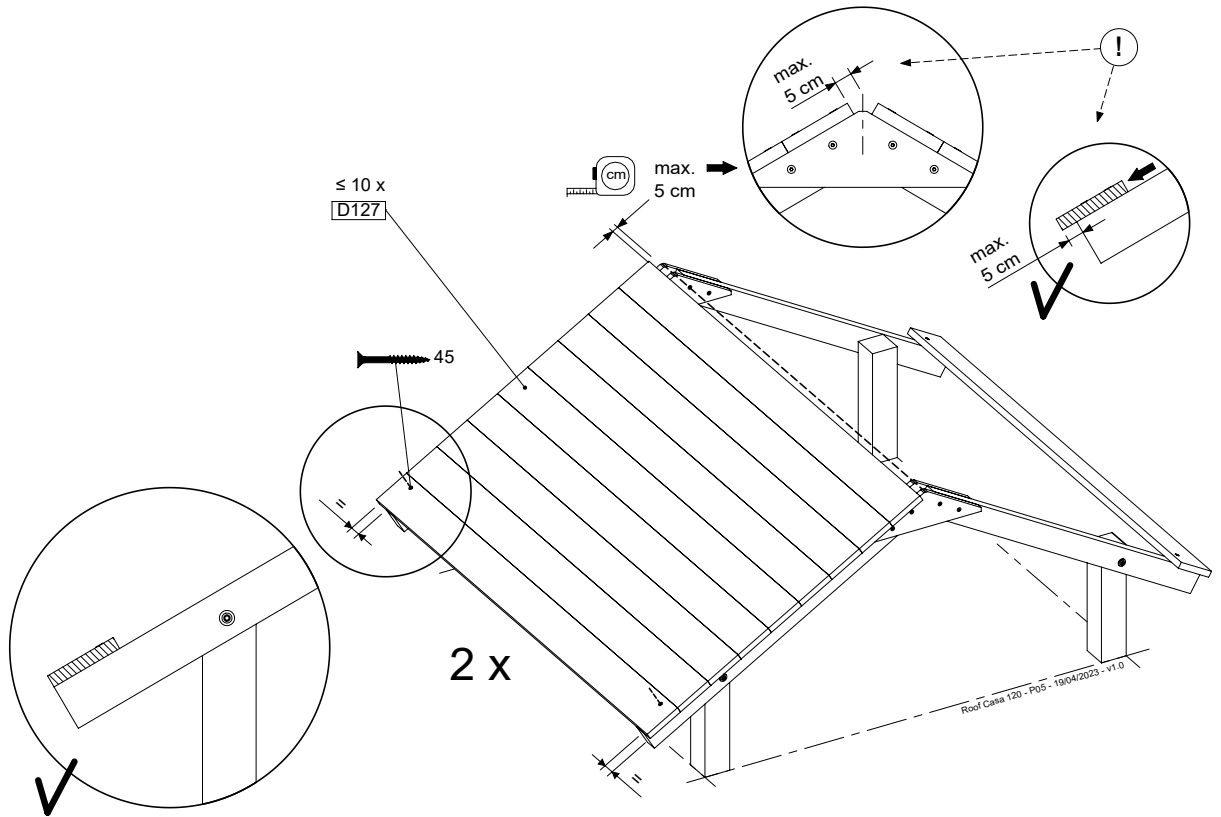
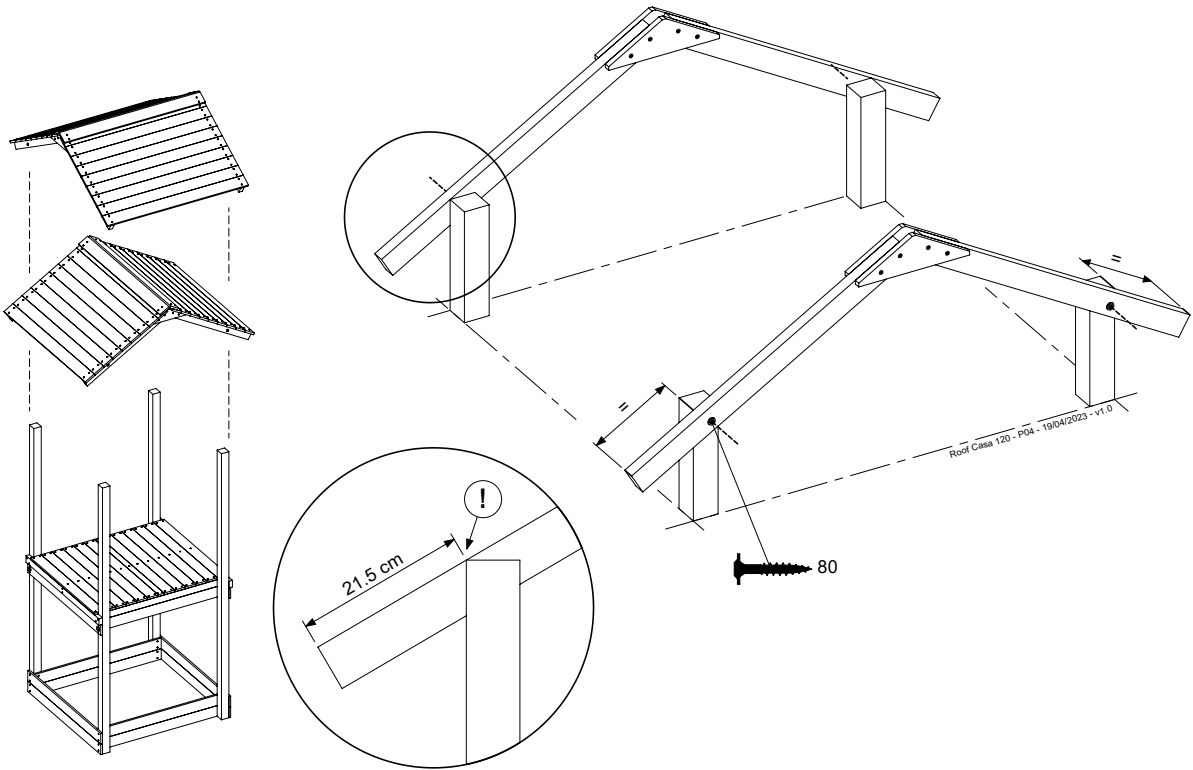
(194_308)

	PartNo	PartName	QTY.
Hardware Pack	001_417	Stealth Screw 8x80	4
	002_220	Gap Point Screw T25 - 5x45	96
	002_223	Gap Point Screw T25 - 5x80	8
Timber	C84	Beam 840 mm	4
	D127	Board 1270 mm	19-23

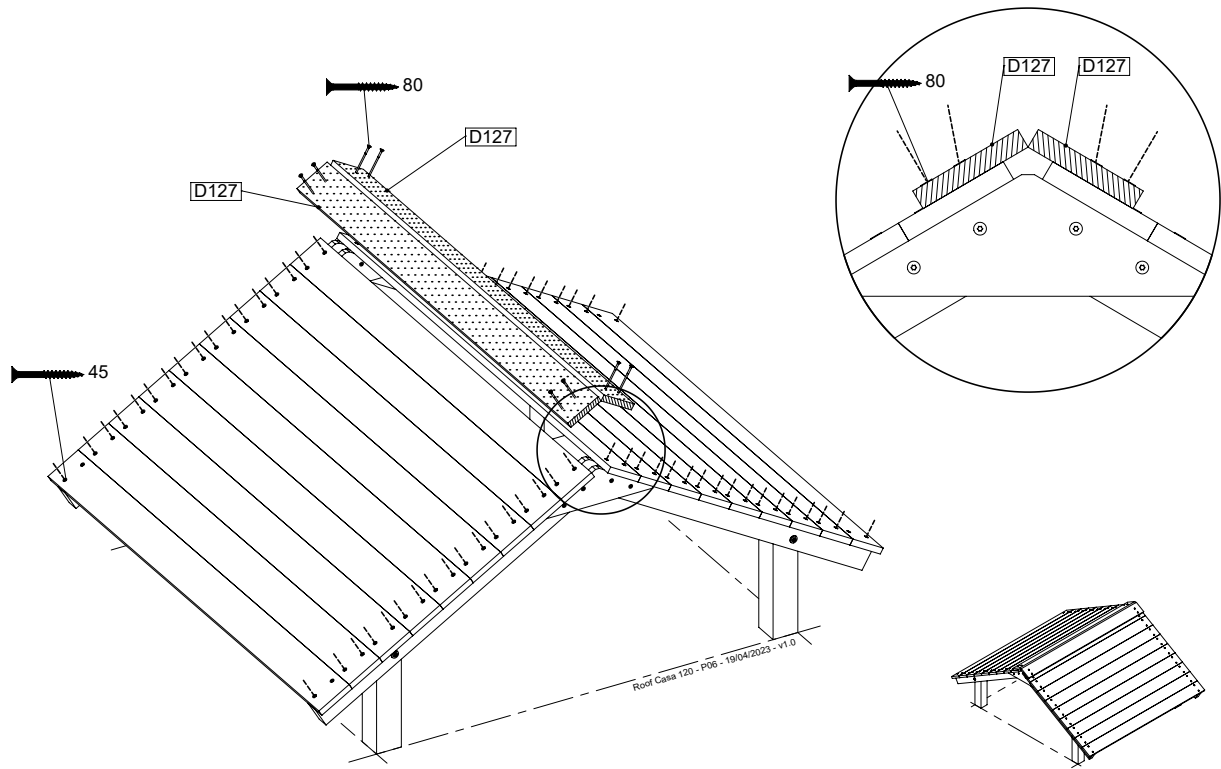
Roof Case T20 - P02 - 19/04/2023 - v1.0



13.1



13.2

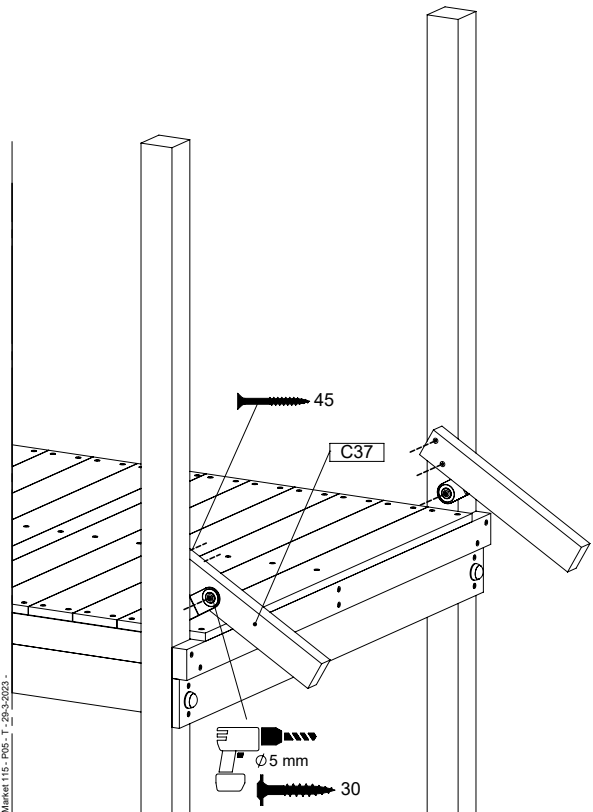
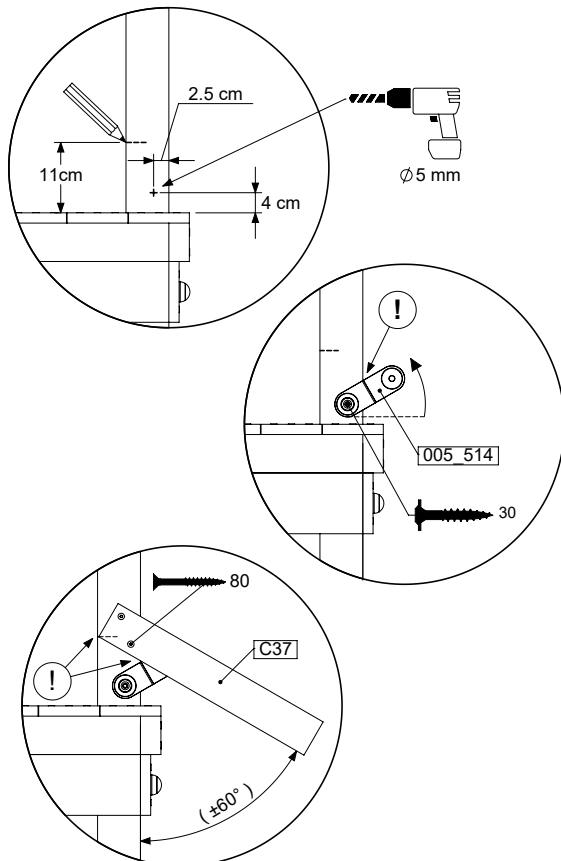
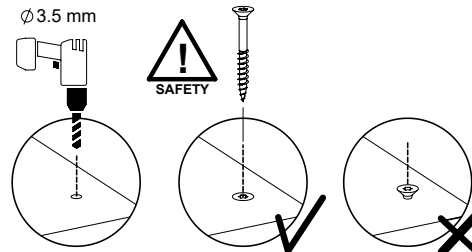
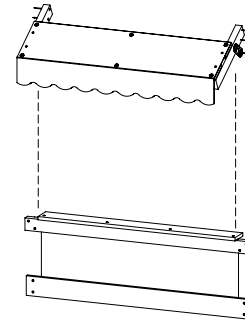


14 MT06: Market 115 T

(194_008)

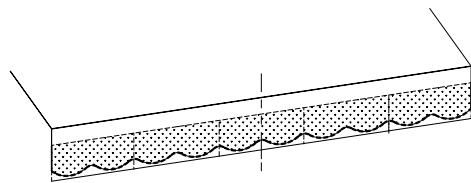
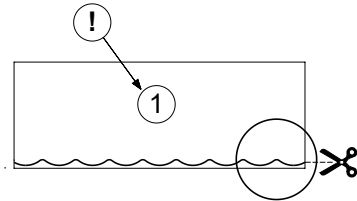
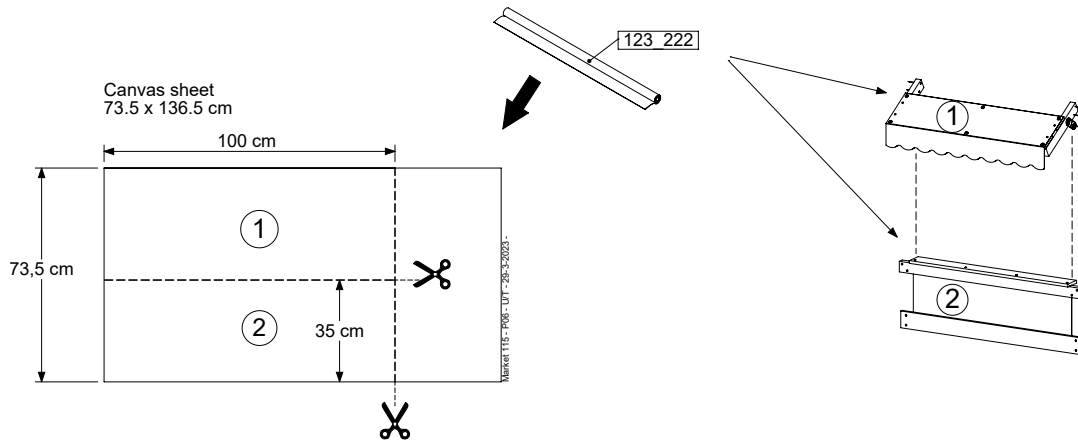
	PartNo	PartName	QTY.
Hardware Pack	001_404	Stealth Screw 8x30	4
	002_220	Gap Point Screw T25 - 5x45	16
	002_223	Gap Point Screw T25 - 5x80	8
	002_308	Gap Point Screw T25 - 5x20	10
	005_514	Ladder Bracket	2
	023_031	Finishing Washer GPS 5.0	10
Other	123_220	Canvas sheet 735x1365mm	1
Timber	C37	Beam 370 mm	2
	C114	Beam 1140 mm	1
	D100	Board 1000 mm	3
	D114	Board 1140 mm	1

Market 115 - P03 - T - 28-3-2023 -

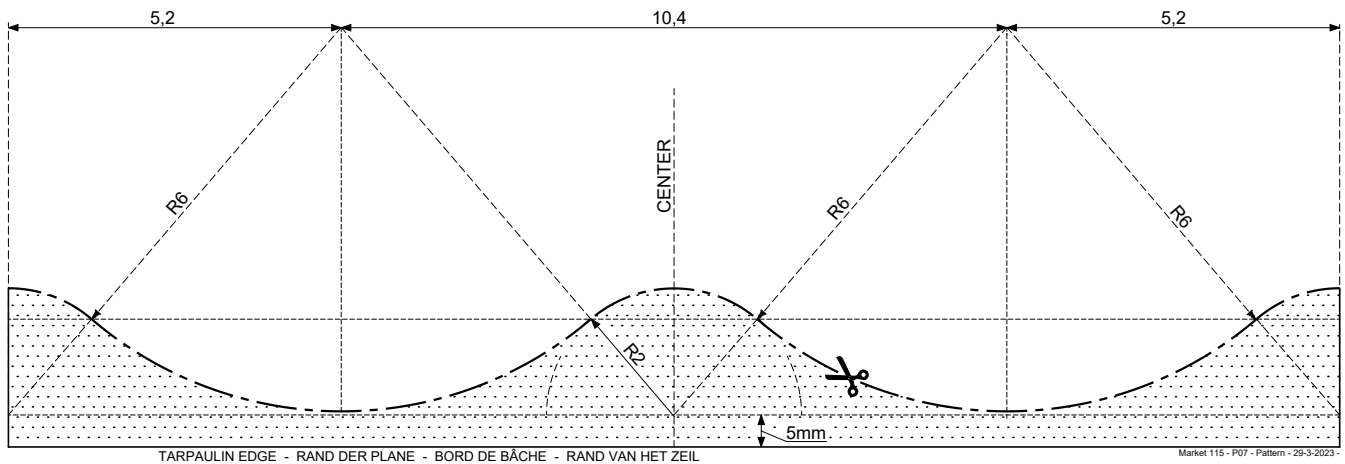


Market 115 - P03 - T - 28-3-2023 -

14.1



EXAMPLE PATTERN
BEISPIELVORLAGE FÜR MARKISE
SCHÉMA SUGGÉRÉ DE DÉCOUPE POUR AUVENT
VOORBEELDSJABLOON LUIFEL

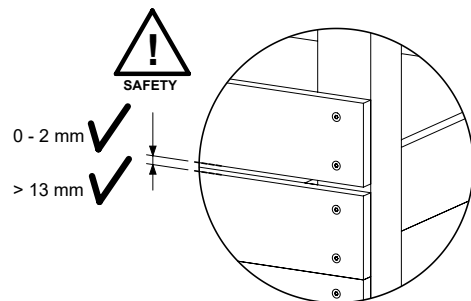
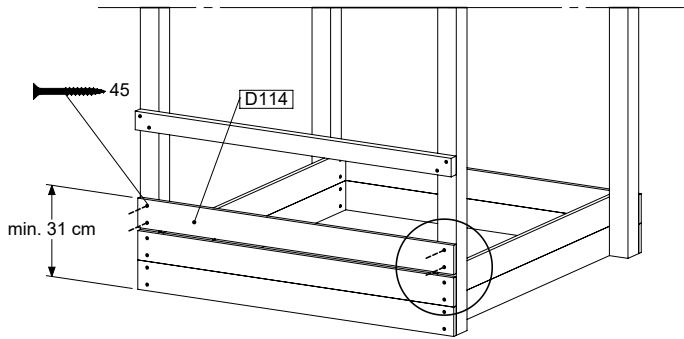
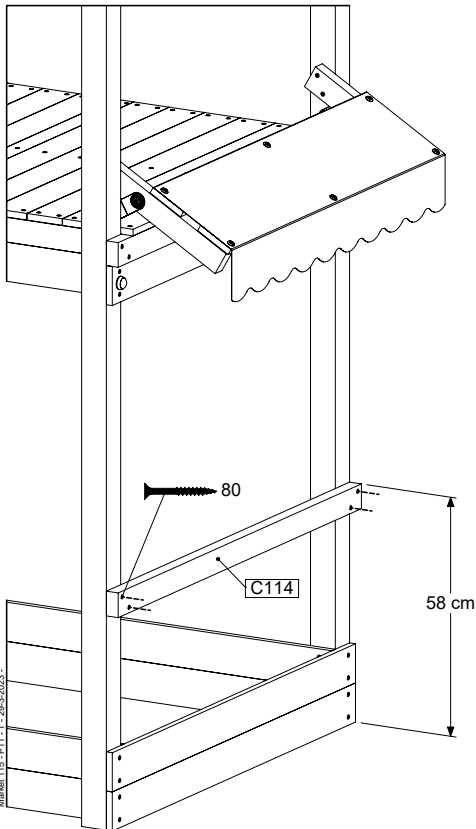
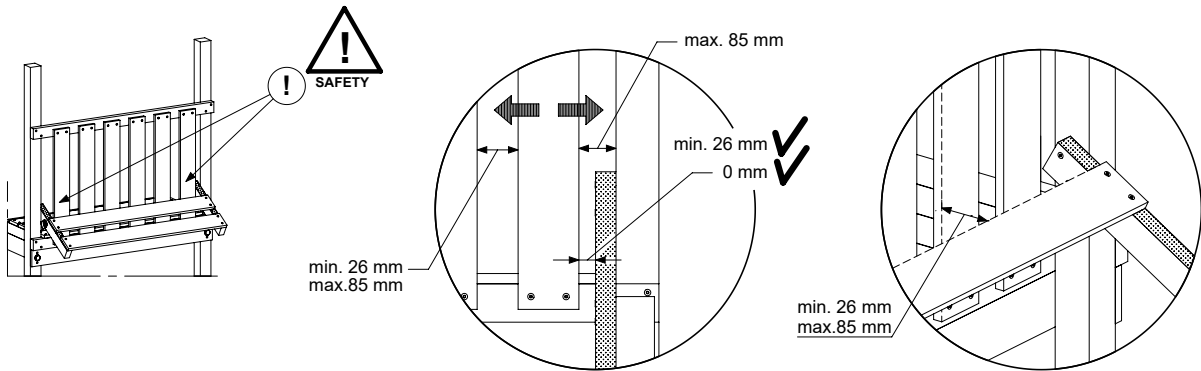
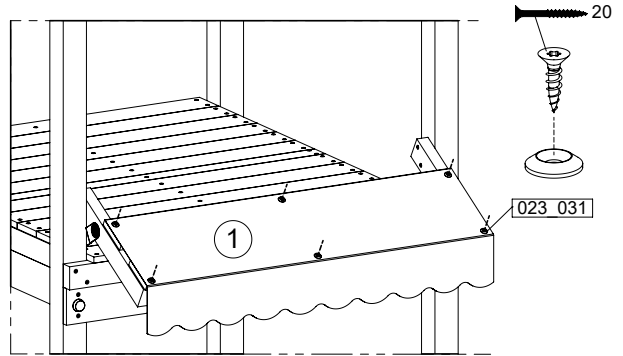
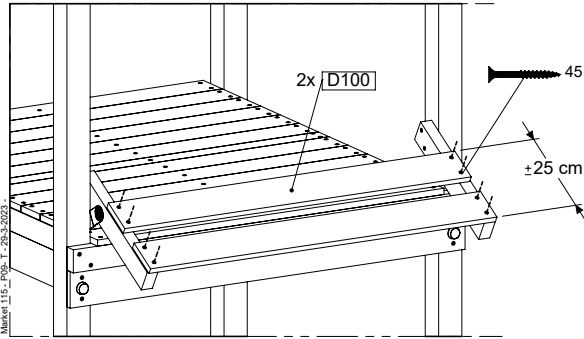


repeat

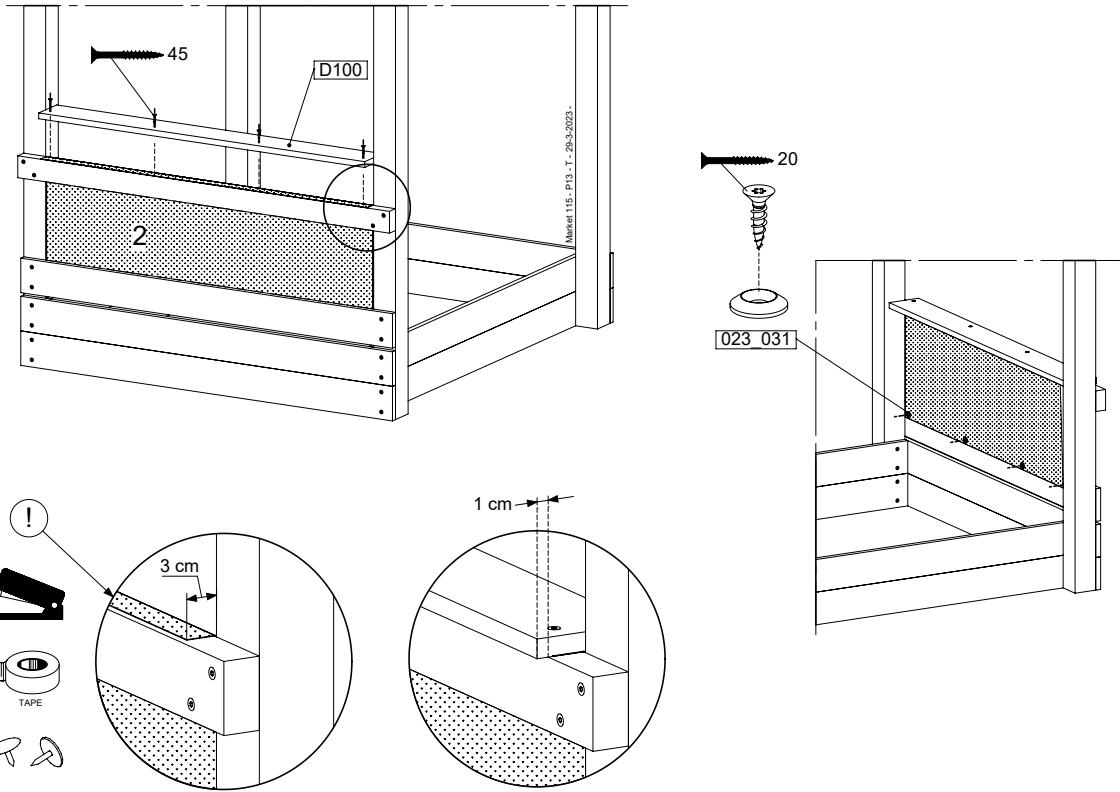
repeat

! Scale of print may not be accurate.
Druckformat kann abweichen.
Les tailles imprimées peuvent varier.
Printformaat kan afwijken.

14.2



14.3

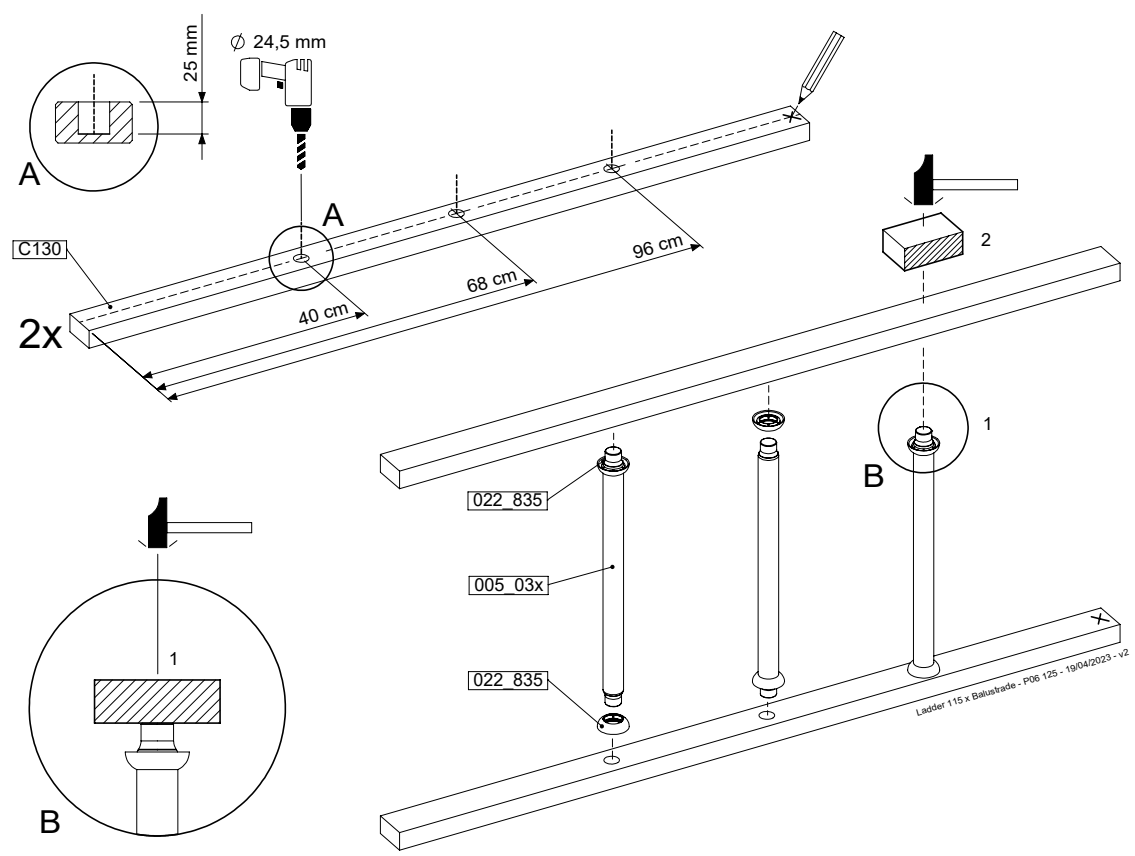
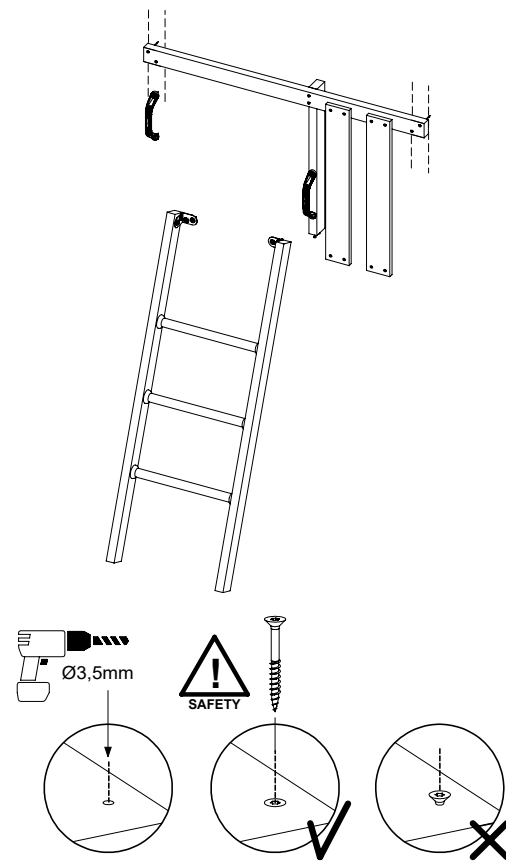


15 LA13: Ladder 115 125 T Left

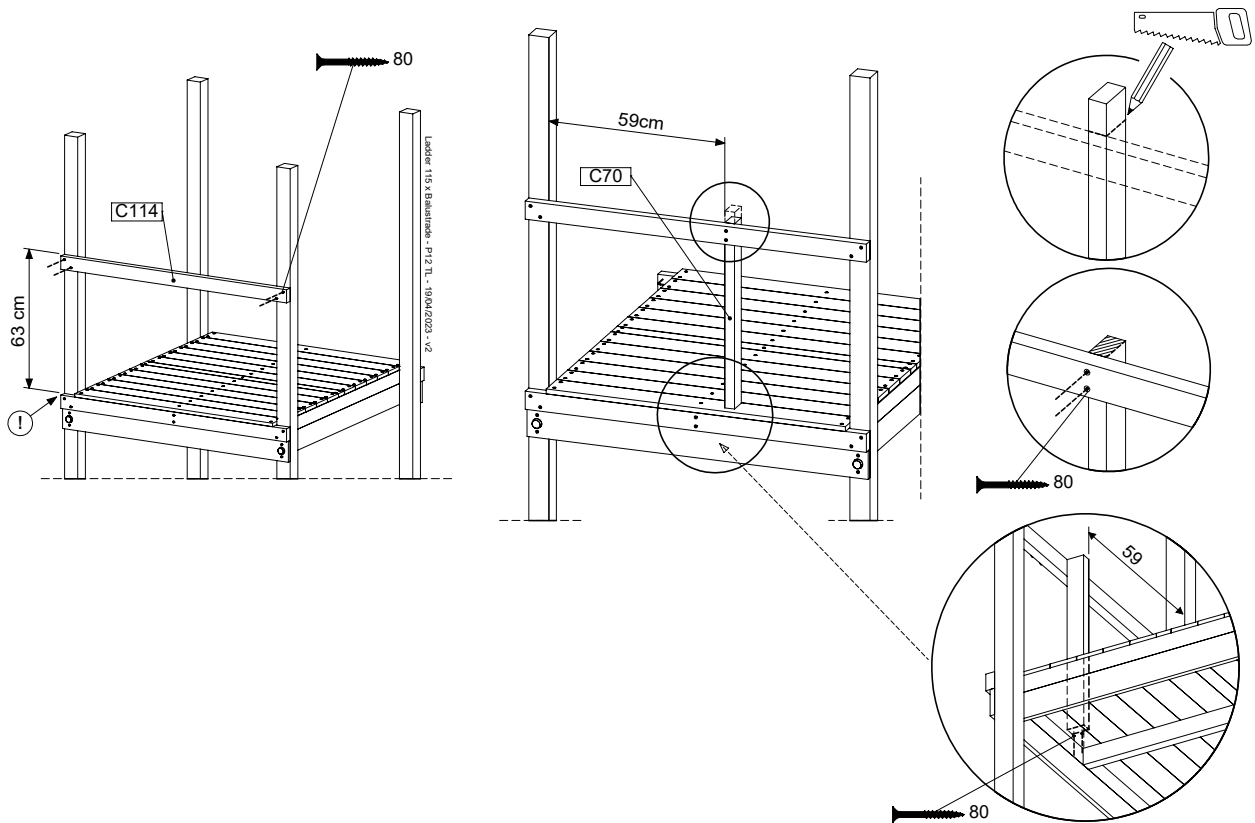
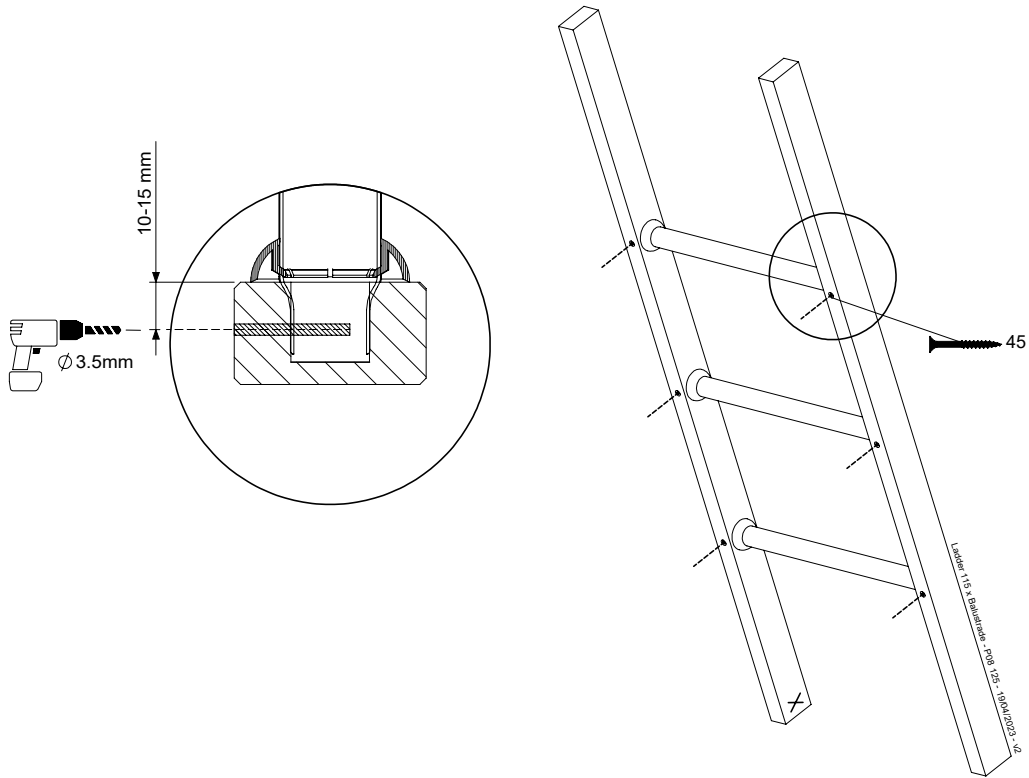
(194_003 + 194_101)

	PartNo	PartName	QTY.
Hardware Pack	001_404	Stealth Screw 8x30	4
	002_219	Gap Point Screw T25 - 5x30	4
	002_220	Gap Point Screw T25 - 5x45	14
	002_223	Gap Point Screw T25 - 5x80	8
Other	005_03x	Ladder Rung Y/B/G/R	3
	005_522	Connection Bracket Mini Market	2
	022_835	Rung Cap	6
	120_102	Handgrip set (complete 2x)	1
Timber	C114	Beam 1140 mm	1
	C130	Beam 1300 mm	2
	C70	Beam 700 mm	1
	D65	Board 650 mm	2

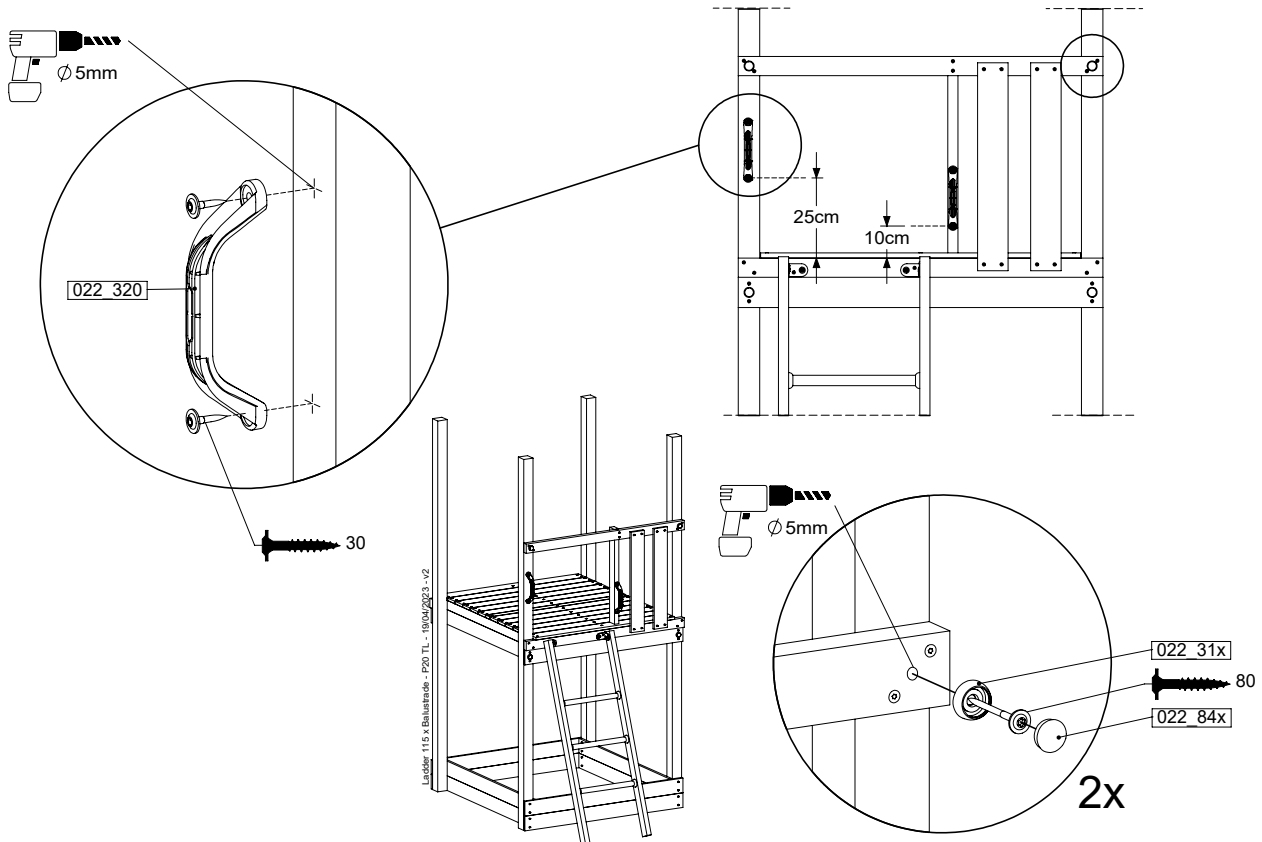
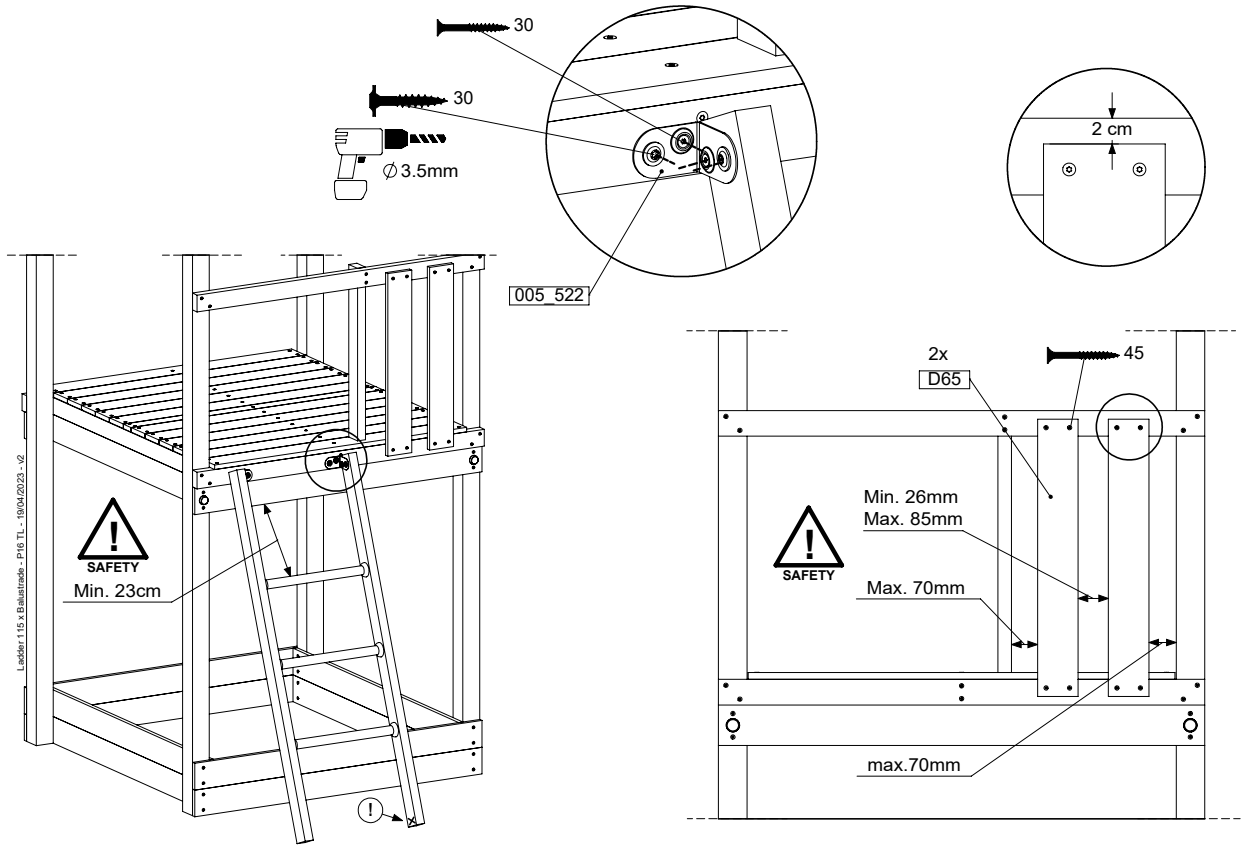
Ladder 115 x Balustrade - P04 TL 125 - 19/04/2023 - v2



15.1



15.2

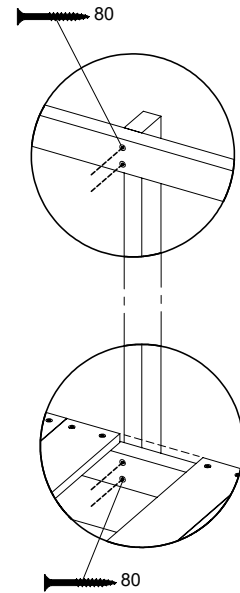
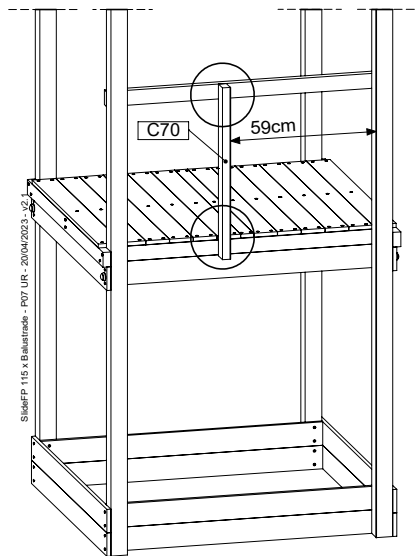
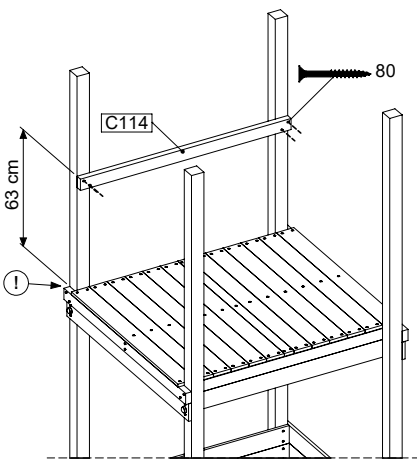
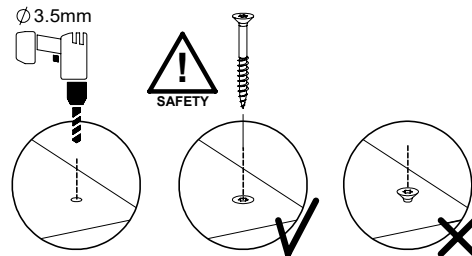
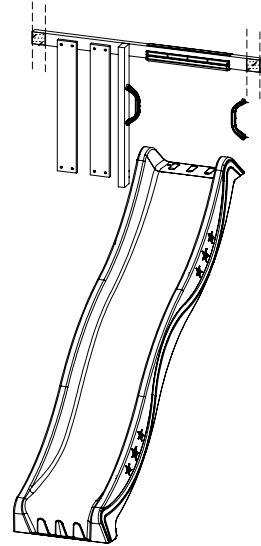


16 SL11: Slide 115 145 U Right

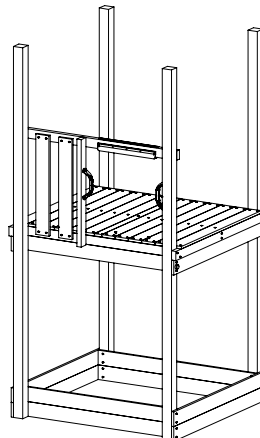
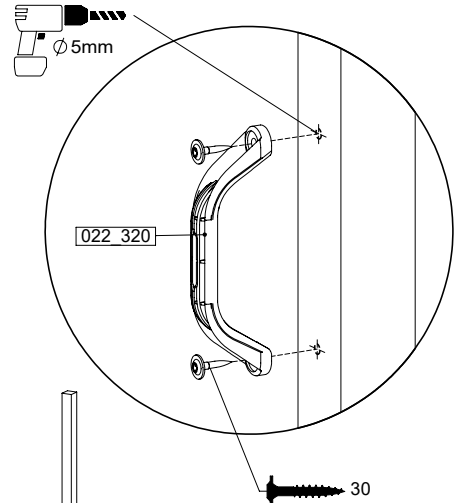
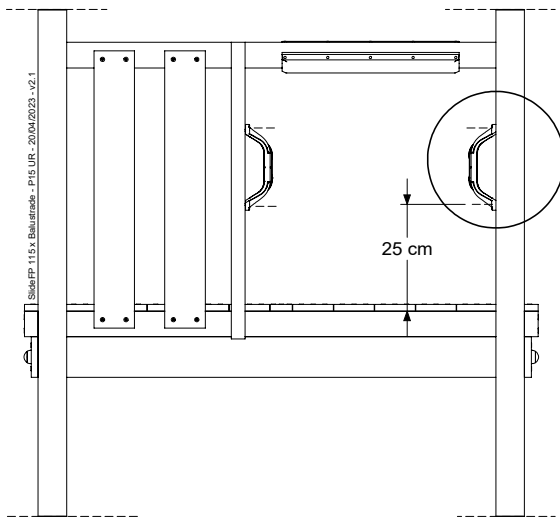
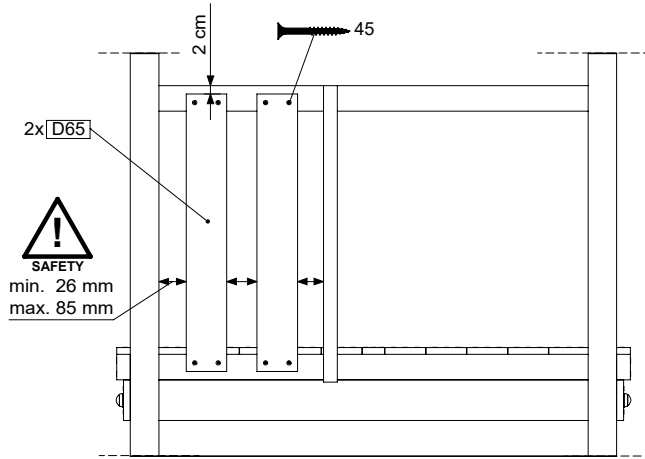
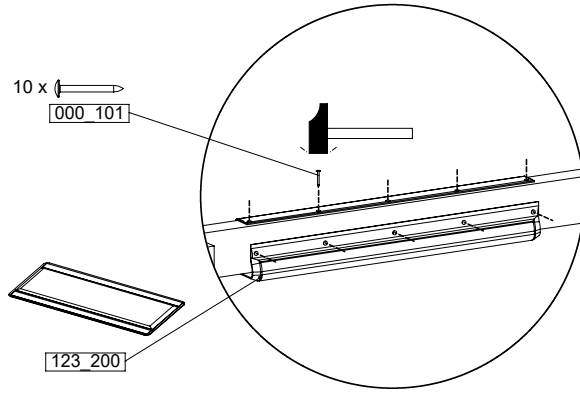
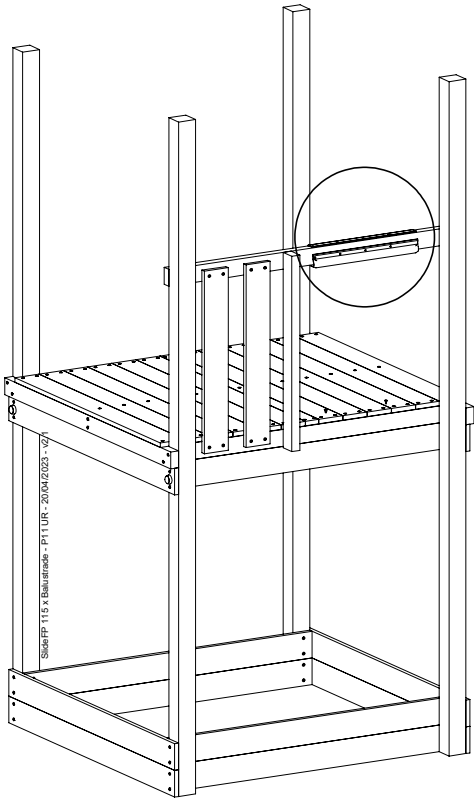
(194_107 + 194_101)

	PartNo	PartName	QTY.
Hardware Pack	000_101	Nail Pan Head	10
	002_220	Gap Point Screw T25 - 5x45	8
	002_223	Gap Point Screw T25 - 5x80	8
	002_308	Gap Point Screw T25 - 5x20	2
Other	120_102	Handgrip set (complete 2x)	1
	123_200	Bumperpad	1
	324_xxx 334_xxx	Wavy Star Slide XL 2200 mm / Wavy Star Slide XXL 2650 mm	1
Timber	C114	Beam 1140 mm	1
	C70	Beam 700 mm	1
	D65	Board 650 mm	2

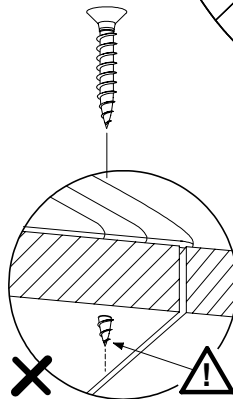
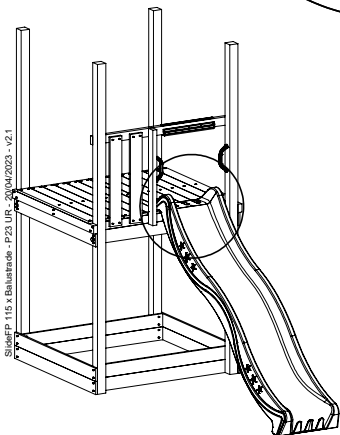
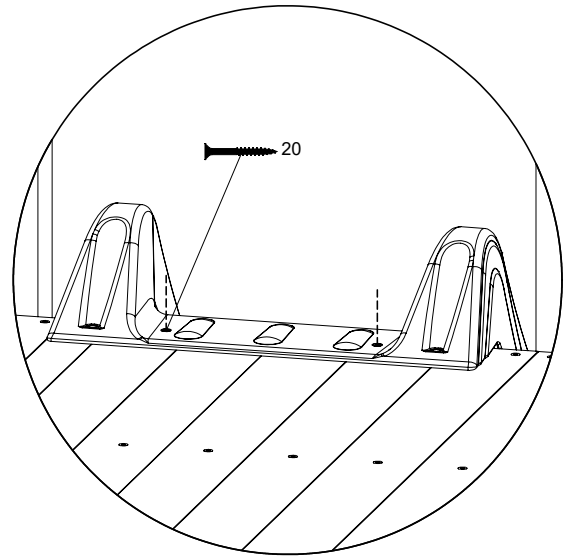
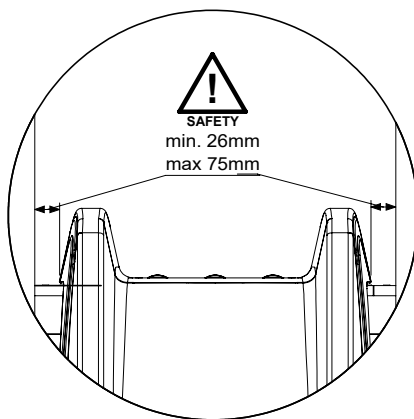
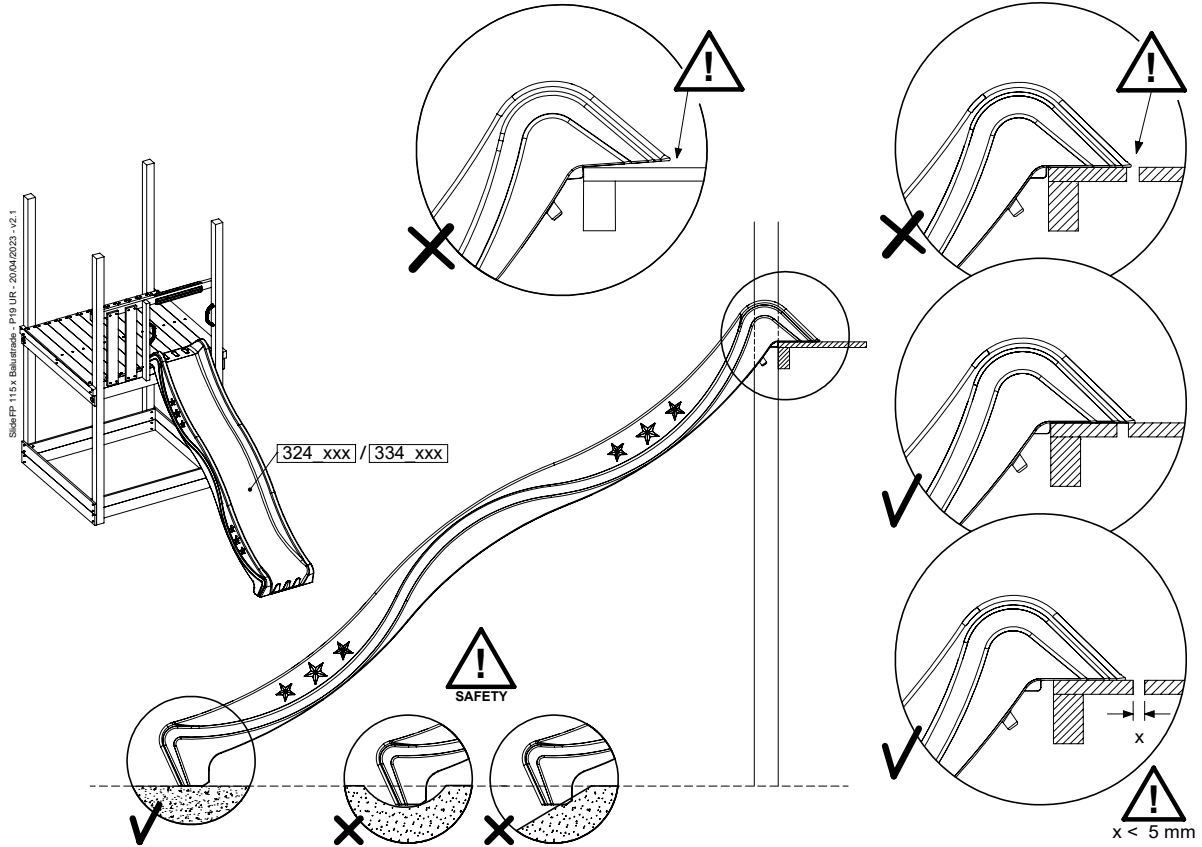
SlideP 115 x Beamaade - R03 UR - 20/04/2023 - v2.1



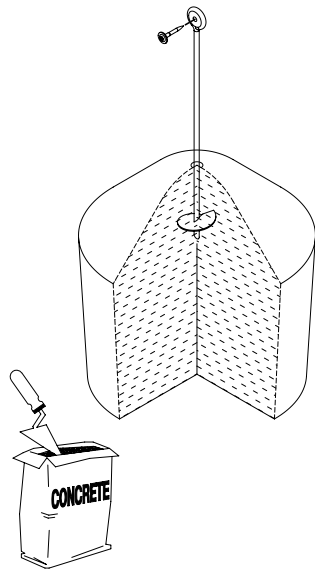
16.1



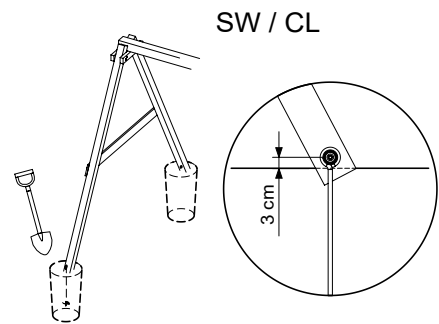
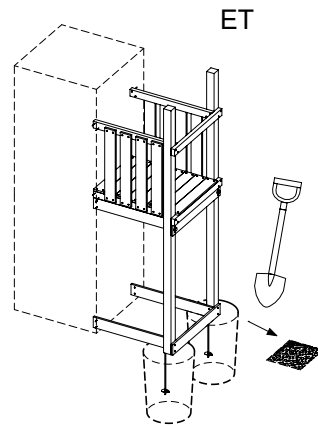
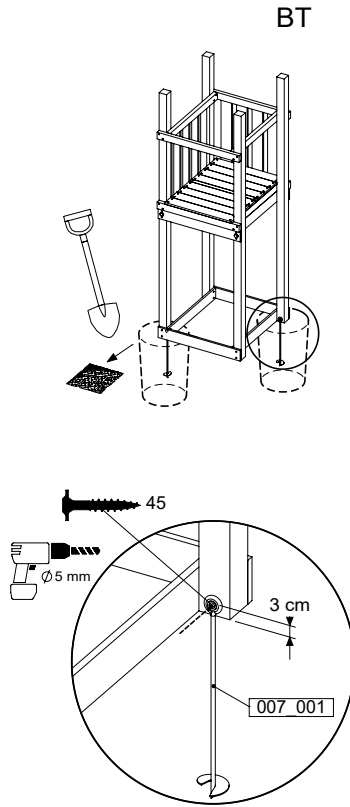
16.2



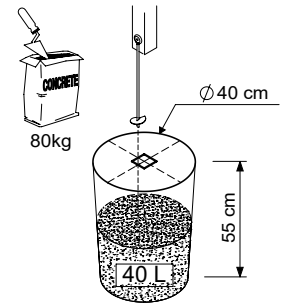
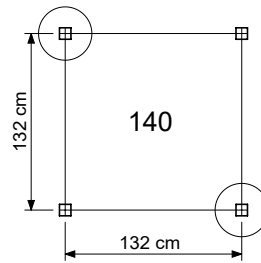
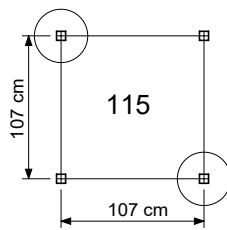
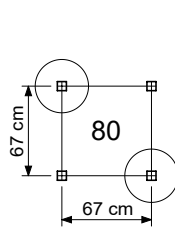
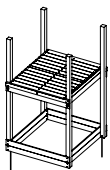
17 GA: Ground Anchors



Ground Anchors Uni. - P03 - 14/04/2023 - v1.1

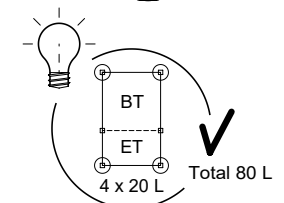
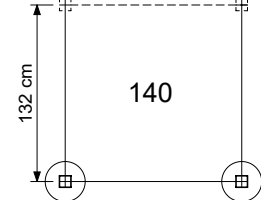
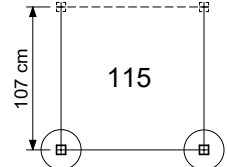
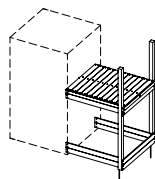
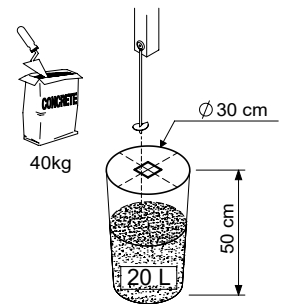
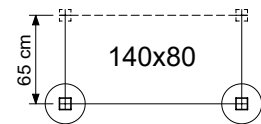
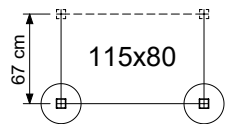
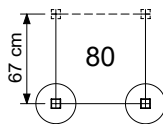
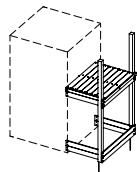


BASE TOWERS

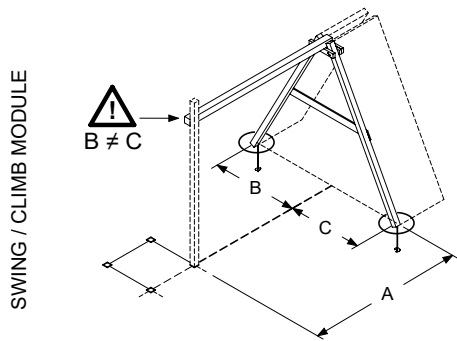
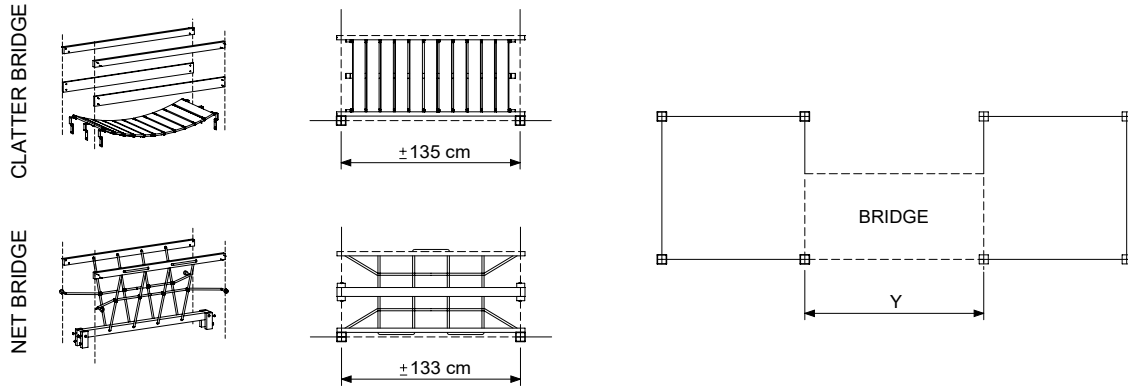


Ground Anchors Uni. - P01 - 14/04/2023 - v1.1

EXTENSION TOWERS

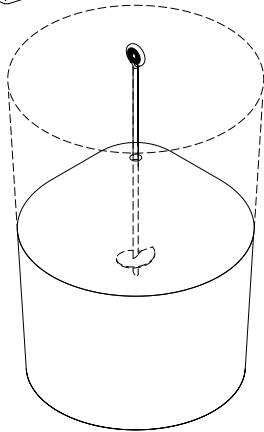
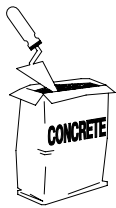
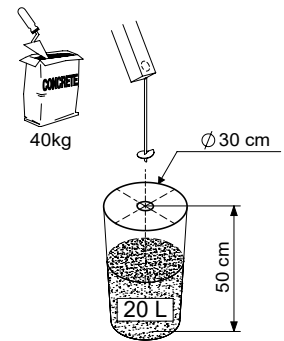


17.1

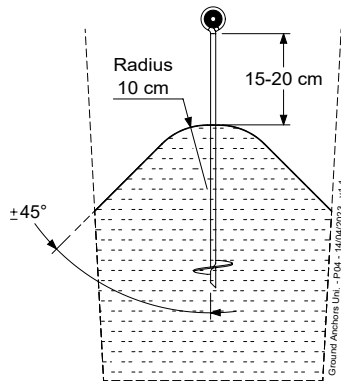


Module type	A	B	C
1-Swing 200	150	115	100
1-Swing 220 / 220 Extra		120	105
2-Swing 200	210	115	100
2-Climb 200			
1-Climb 200	142	120	105
1-Climb 220 / 220 Extra	162		
2-Swing 220 / 220 Extra	230	120	105
2-Climb 220 / 220 Extra			

Ground Anchors Ltd. - POZ - 14/04/2023 - v1.1

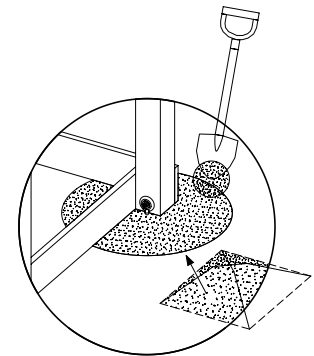


1.



2.

24h



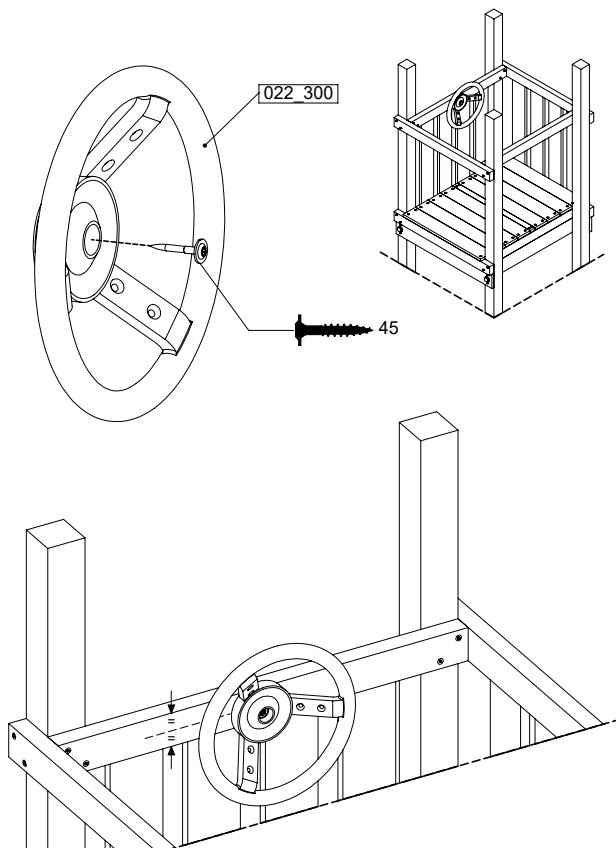
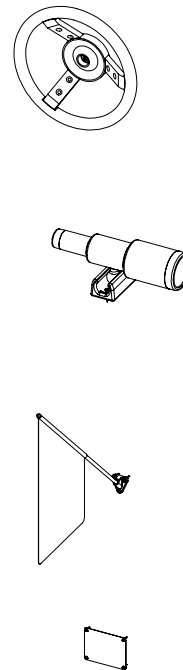
4.

18 AC01: Accessories

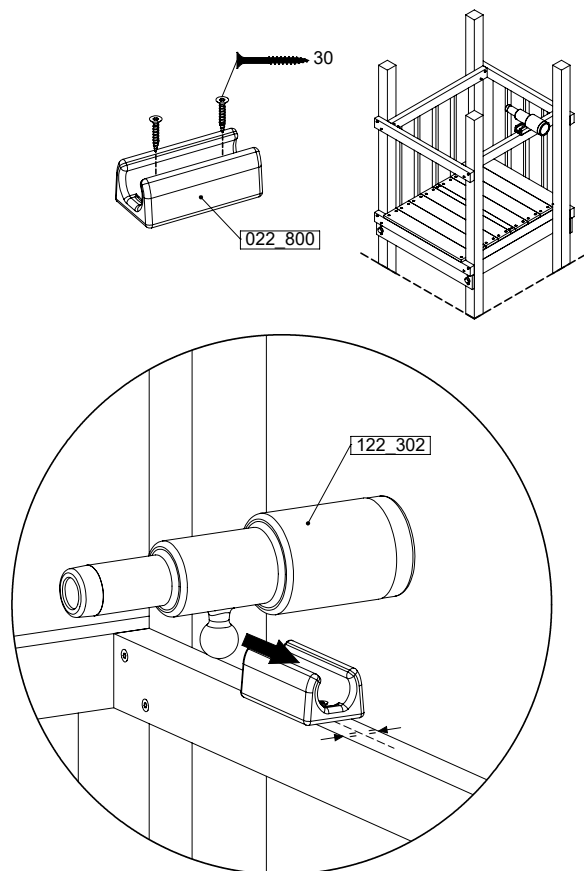
(194_119)

	PartNo	PartName	QTY.
Hardware Pack 100_617	001_406	Stealth Screw 8x45	1
	002_041	Dome head screw 4.5 x 20 mm	3
	002_042	Dome head screw 3.5 x 13mm	4
	002_219	Gap Point Screw T25 - 5x30	2
Other	022_300	Steering Wheel	1
	022_800	Rail P/T 105	1
	022_910	Sandpad	1
	103_901	Logo ID Plate	1
	104_107	Tool Set Climbing Units	1
	120_024	Tower Flag	1
	122_302	Telescope	1

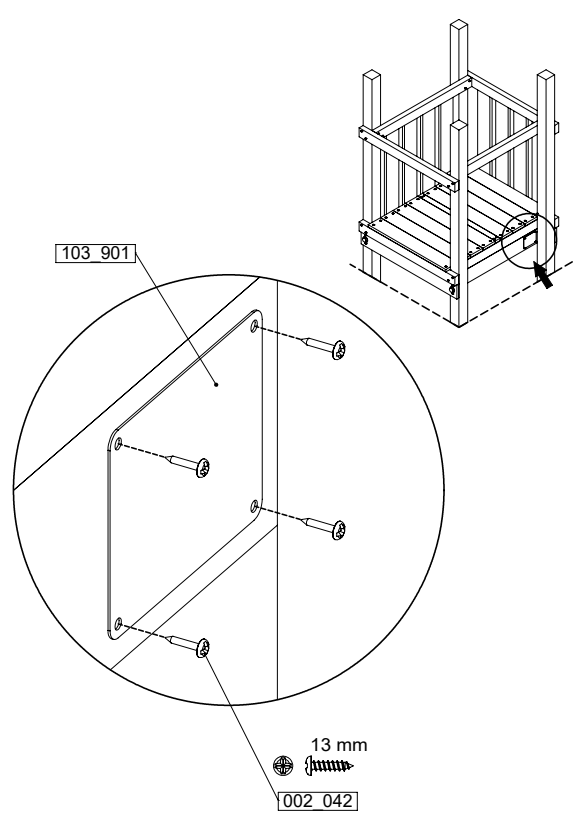
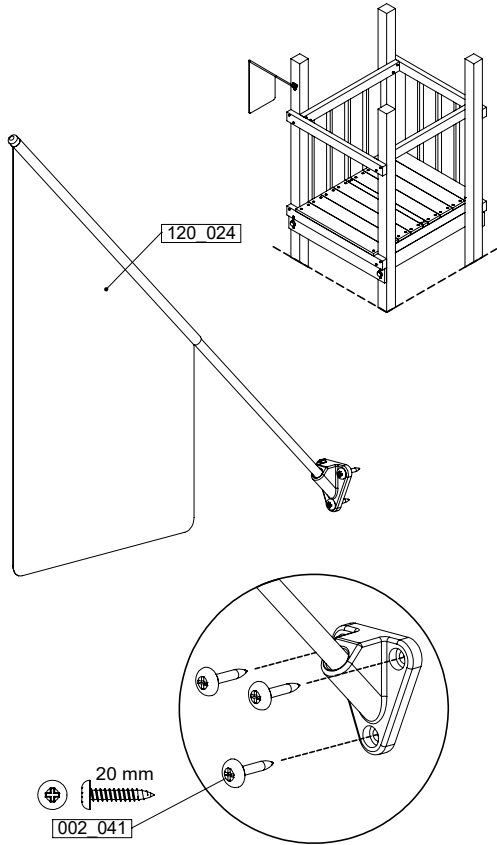
Accessory ref.: F02-230-2021 - V4



Accessory ref.: F03-250-2021 - V4



18.1



Accessories set - P04 - 2019-2021 - v4

19 Conformity: Declaration of Conformity

Declaration of Conformity

Jungle Gym
BACKYARD PLAYGROUNDS
since 1988

Manufacturer details

Company Name	Tag-line
Jungle Gym B.V.	Backyard Playgrounds
Address	
P.O. Box 75083, 1070 AB Amsterdam, Netherlands	

Activity toys for domestic use

Product Range Identification

Construction Packages (Sub-Assembly)

Universal Packs / Base Towers / Extension Towers / Roofs / Means of Exit/Access / Add-ons : 790_001 ... 794_911

Assembly

Playtowers : 801_005 ... 200	Links : 870_100 ... 105	Accessories : 123_220 ... 250_075
Playhouses : 830_150 ... 253, 835_251 ... 253	Swings : 801_300, _600, _601	Slides (XL) : 324_100 ... 600
Modules : 850_180 ... 415		Slides (XXL) : 334_100 ... 600
: 857_103, 857_108	Playtowers : 802_202 ... 208	
: 857_151, 857_158	: 803_202 ... 210	
	: 809_202 ... 804	

Applicable EC directives and standards

General

- General Product Safety Directive 2001/95/EG
- Reach directive 1907/2006
- AfPS GS 2019:01 PAK

Activity Toys

- Toy Safety Directive (2009/48/EG)
- EN 71 Safety of Toys
 - EN 71-1:2014 + A1:2018 Safety of toys Mechanical and physical properties
 - EN 71-2:2020 Flammability
 - EN 71-3:2019 + A1:2021 Migration of certain elements
 - EN 71-8:2018 Safety of toys Activity toys for domestic use

Supplementary information

Conformity to the above specified directives and standards has been frequently verified by TÜV Rheinland LGA products, DEKRA, LNE SA, since 1994. Jungle Gym participates in the European Commission for standardisation for the safety of activity toys (TC52 / WG 10).

Declaration

I hereby declare under our sole responsibility that the products mentioned above, to which this declaration relates, complies with the above mentioned directives and standards.






























Name
Mr. P. Schmit / Director







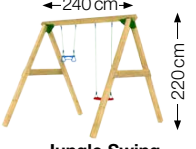
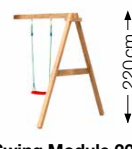




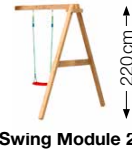



Issued date
Januari 2nd, 2023

Signature of representative

Construction Packages (Assembly)

Playtowers

<p>S Single</p>  <p>Jungle Tower 801_200</p>	<p>S Single</p>  <p>Jungle Patio 802_202</p>	<p>S Single</p>  <p>Jungle Cocoon 802_204</p>	<p>S Single</p>  <p>Jungle Cirque 802_206</p>	<p>S Single</p>  <p>Jungle Totem 802_208</p>	<p>S Duo</p>  <p>Jungle Nomad 803_202</p>	<p>S Duo</p>  <p>Jungle Safari 803_204</p>
<p>S Duo</p>  <p>Jungle Viking 803_206</p>	<p>S Duo</p>  <p>Jungle Teepee 803_208</p>	<p>S Duo</p>  <p>Jungle Resort 803_210</p>	<p>S Combo</p>  <p>Jungle Explorer 809_802</p>	<p>S Combo</p>  <p>Jungle Voyager 809_804</p>	<p>M Single</p>  <p>Jungle Castle 801_120</p>	
<p>M Single</p>  <p>Jungle Club 801_110</p>	<p>M Single</p>  <p>Jungle Casa 801_105</p>	<p>M Single</p>  <p>Jungle Home 801_103</p>	<p>M Single</p>  <p>Jungle Hut 801_100</p>	<p>M Single</p>  <p>Jungle House 801_095</p>	<p>L Single</p>  <p>Jungle Cottage 801_090</p>	<p>L Single</p>  <p>Jungle Cabin 801_060</p>
<p>L Single</p>  <p>Jungle Lodge 801_040</p>	<p>L Duo</p>  <p>Jungle Cubby 801_070</p>	<p>L Duo</p>  <p>Jungle Mansion 801_009</p>	<p>XL Single</p>  <p>Jungle Sierra 801_025</p>	<p>XL Single</p>  <p>Jungle Fort 801_010</p>	<p>XL Single</p>  <p>Jungle Chalet 801_013</p>	<p>XL Duo</p>  <p>Jungle Palace 801_005</p>

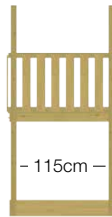
Swings	Swing Module	Climb Module	Bridge Module
 <p>Jungle Peak 801_300</p>	 200 cm  200 cm <p>1-Swing Module 200 857_101</p> <p>2-Swing Module 200 857_102</p>	 200 cm  200 cm <p>1-Climb Module 200 857_105</p> <p>2-Climb Module 200 857_106</p>	 <p>Bridge Module 850_240</p>
 240 cm 220 cm <p>Jungle Swing 801_601</p>	 220 cm  220 cm <p>1-Swing Module 220 857_151</p> <p>2-Swing Module 220 857_154</p>	 220 cm  220 cm <p>1-Climb Module 220 857_157</p> <p>2-Climb Module 220 857_158</p>	
 270 cm 250 cm <p>Jungle Swing 801_602</p>	 220 cm  220 cm <p>1-Swing Module 220 Extra 850_176</p> <p>2-Swing Module 220 Extra 850_177</p>	 220 cm  220 cm <p>1-Climb Module 220 Extra 850_231</p> <p>2-Climb Module 220 Extra 850_232</p>	

Construction Packages (Sub-Assembly)

Base Towers (BT)



Small BT
790_001
790_002
790_003



Medium BT
792_002
792_003



Large BT
794_001

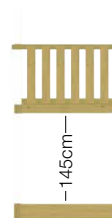
Extension Towers (ET)



Small ET
790_101
790_102



Medium ET
792_101
792_102
792_103
792_104
792_105
792_106

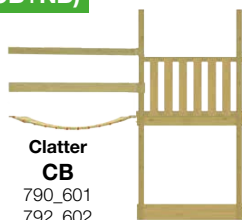


Large ET
792_107 792_113 794_107
792_108 792_114 794_108
792_109 794_102 794_109
792_110 794_103
792_111 794_104
792_112 794_105

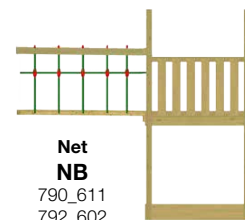


Small ET
794_110

Modules Bridges (CB+NB)



Clatter CB
790_601
792_602
794_602



Net NB
790_611
792_602
794_602

Modules Swings (SM)



1-Swing Module 200 SM
857_101



2-Swing Module 200 SM
857_102



1-Swing Module 220 SM
857_151



2-Swing Module 220 SM
857_152



1-Swing Module 220 Extra SM
850_176



2-Swing Module 220 Extra SM
850_177

Modules Climbs (CM)



1-Climb Module 200 CM
857_105



2-Climb Module 200 CM
857_106



1-Climb Module 220 CM
857_157



2-Climb Module 220 CM
857_158



1-Climb Module 220 Extra CM
850_231



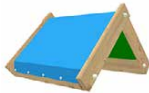
2-Climb Module 220 Extra CM
850_232

Construction Packages (Sub-Assembly)

Roofs (RF)



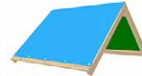
**Tipi
RF**
790_203



**Gable
RF**
790_202



**Pyramid
RF**
790_205



**Angle 90°
RF**
792_201



**Angle 120°
RF**
792_206 (=115)
794_204 (=140)



**Tipi
RF**
790_204



**Clapboard
RF**
790_201



**Lookout
RF**
790_206



**Angle 90°
RF**
792_202 (=115)
794_202 (=140)



**Angle 120°
RF**
792_203 (=115)
794_203 (=140)

Balustrade (BA/PH)



**Balustrade panel
BA**
790_301
792_301
794_301
794_302



**Hide panel
PH**
790_311
792_311
794_311



**Wall panel
PH**
790_313
792_313
794_313



**Roof panel
PH**
792_314
794_314

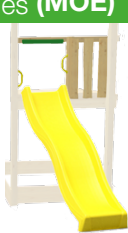


**Window panel
PH**
792_202 (L)
794_202 (L)
792_203 (R)
794_203 (R)



**Door panel
PH**
792_204 (L)
794_204 (L)
792_205 (R)
794_205 (R)

Slides (MOE)



**Slide Yellow
SL**
324_100
334_100
790_901
792_901
794_901



**Slide Blue
SL**
324_200
334_200
790_901
792_901
794_901



**Slide Green
SL**
324_300
334_300
790_901
792_901
794_901



**Slide Red
SL**
324_400
334_400
790_901
792_901
794_901



**Slide Fuchsia
SL**
324_500
334_500
790_901
792_901
794_901

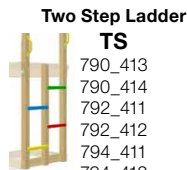


**Slide Dark Green
SL**
324_600
334_600
790_901
792_901
794_901

Means of access (MOA)



**Ladder
LA**
790_433
790_434
792_431
792_432
794_431
794_432



**Two Step Ladder
TS**
790_413
790_414
792_411
792_412
794_411
794_412
794_413
794_414



**Rope ladder
RL**
790_421
792_421
792_422
794_421



**Rock wall
RW**
790_403
790_404
792_401
792_402
794_401
794_402

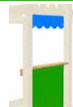


**Hamp
RA**
790_441
792_441
794_441



**FMP Exit
FP**
790_903
792_911
794_911

Add-ons (ADD)



**Market
MT**
790_502
792_502
794_502



**Boat front
BO**
790_501

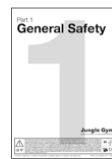


**Picnic
PC**
790_503



**Picnic
PC**
792_503
794_503

Universal Pack (AC)

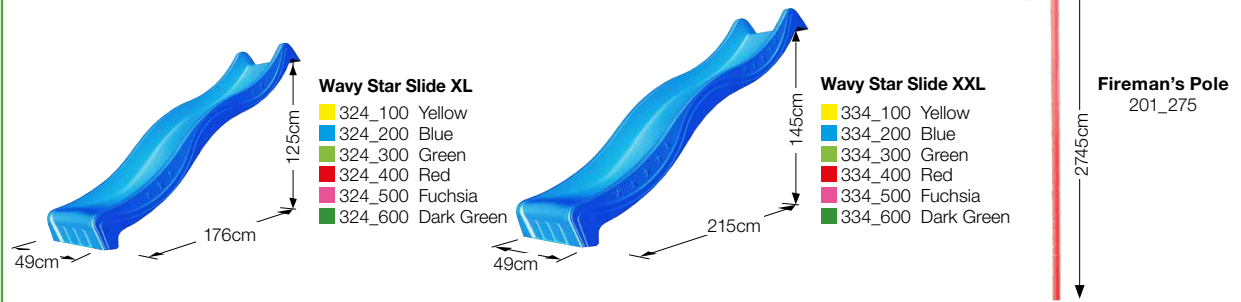


Accessory set
194_119



Accessories

Slides



Climbing



Imagination



Swinging



Functional



Components

