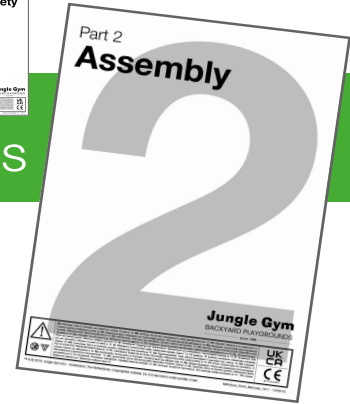


Part 2

Assembly

Instructions



Config ID: sYRCqZ

Date: 2023-05-24



Manual Part 1

Important

This assembly manual should always be read in conjunction with the General Safety manual part 1 as included in the hardware package of your playground equipment. Please read these safety instructions carefully before starting the assembly work.

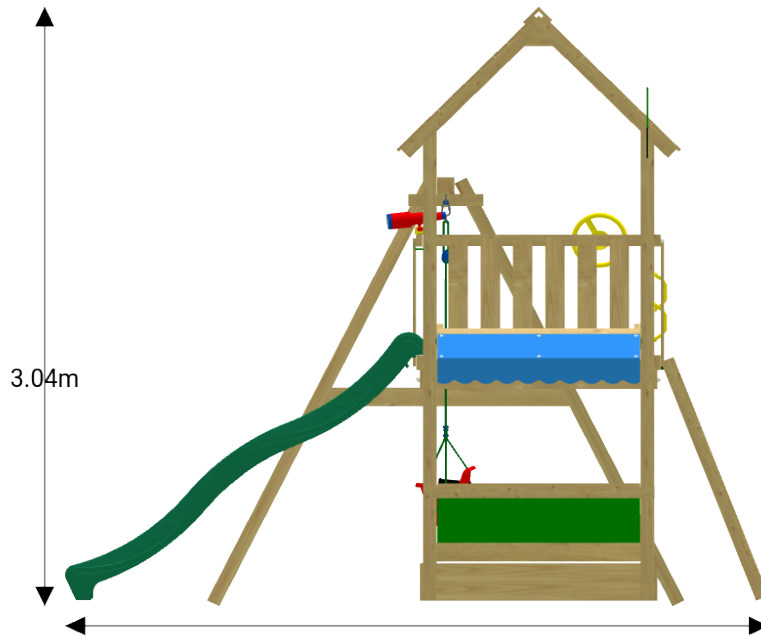
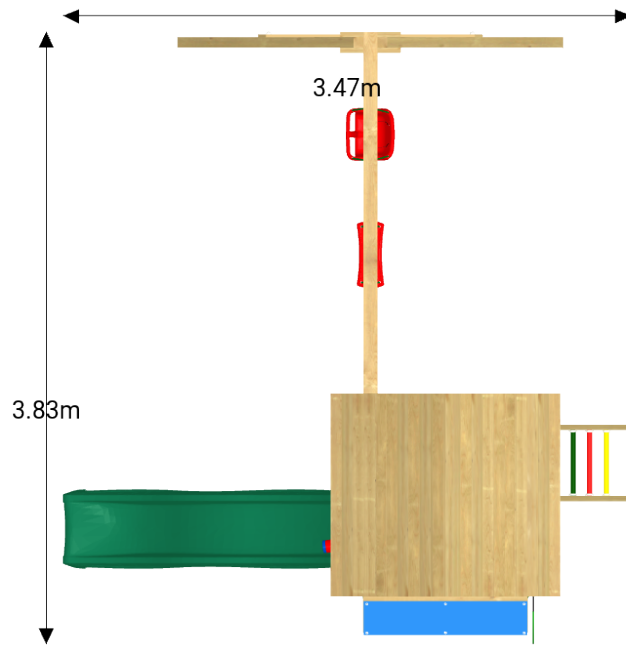
Jungle Gym

BACKYARD PLAYGROUNDS

since 1988

| | | |
|--|---|--|
| | <p>EN. Warnings. Only for domestic use. Maximum number of users is 3. DE. Achtung. Nur für den Hausgebrauch. Maximale Benutzerzahl: 3. FR. Attention. Réserve à un usage privé. Le nombre maximal d'utilisateurs est de 3. NL. Waarschuwingen. Uitsluitend voor huishoudelijk gebruik. Het maximale aantal gebruikers is 3. BG. Внимание. За употреба само в домашни условия. Максималният брой потребители е 3. ES. Advertencias. Sólo para uso doméstico. Número máximo de usuarios: 3. CS. Varování. Jen pro domácí použití. Maximální počet uživatelů je 3. DA. Advarsler. Kun til privat brug. Maksimum antal brugere er 3. ET. Hoiatused. Ainult koduseks kasutamiseks. Maksimaalne kasutajate arv on 3. EL. Προειδοποιήσεις. Μόνο για οικιακή χρήση. Μέγιστος αριθμός χρηστών 3. IS. Varnaðarorð. Eingöngu fyrir einkanotkun í heimahúsum og á einkaloðum. Hámarksfjöldi notenda er 3. IT. Avvertenze. Solo per uso domestico. Massimo numero di utenti è 3. LV. Brīdinājumi. Izmantot tikai mājās. Maksimālais lietotāju skaits ir 3. LT. Įspėjimai. Tik buitiniam naudojimui. Maksimalus naudotojų skaičius HR. Upozorenja. Samo za kućansku uporabu. Maksimalan broj korisnika je 3. HU. Figyelmeztetések. Csak otthoni használatra! A használok max. száma: 3. NO. Advarsler. Kun for privat bruk. Maksimalt antall brukere er 3. PL. Ostrzeżenia. Wyłącznie do użytku domowego. Maksymalna liczba użytkowników to 3. PT. Avisos. Apenas para uso doméstico. O número máximo de utilizadores é 3. RO. Avertismente. Numai pentru uz domestic. Numărul maxim de utilizatori este 3. RU. Предостережения. Только для домашнего использования. Максимальное количество пользователей - 3. SK. Upozornenia. Iba na domáce použitie. Maximálne množstvo osôb je 3. SL. Opozorila. Samo za domačo uporabo. Maksimalno število uporabnikov je FI. Varoitukset. Ainoastaan kotikäyttöön. Käyttäjää yhteensä enintään 3. SR. Upozorenja. Samo za kućnu upotrebu. Maksimalan broj korisnika je 3. SV. Varningar. Endast för hemmabruk. Det maximala antalet användare är 3. TR. Uyarılar. Sadece ev kullanımı için. Maksimum kullanıcı sayısı 8.</p> | |
| | | |

1 Views

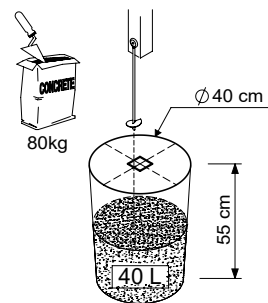
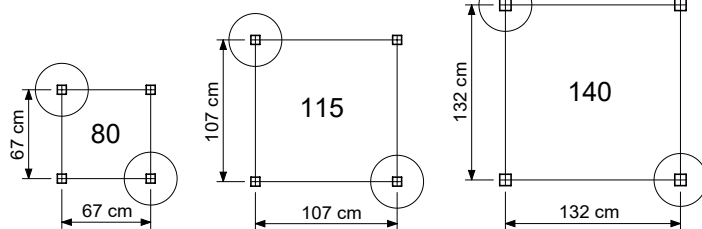
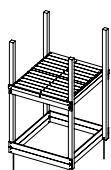


2 Order list

| Nr. | SKU | Description | ID | Amount |
|-----|---------|------------------------|---------|--------|
| 1 | 792_002 | Base Tower 115_ 240240 | BT11 | 1 |
| 2 | 792_202 | Roof Club 115 | RF08 | 1 |
| 3 | 792_301 | Balustrade 115 | BL03 | 2 |
| 4 | 792_431 | Ladder 115_125 | LA14 | 1 |
| 5 | 792_502 | Market 115 | MT05 | 1 |
| 6 | 792_901 | Slide/ balustrade 115 | SL09 | 1 |
| 7 | 757_154 | 2- Swing Module 220 | SW13 | 1 |
| 8 | 194_119 | AP Accessory set | AC01 | 1 |
| 9 | 250_034 | Swing Seat Kit • Red | AC21 | 1 |
| 10 | 250_025 | Baby Swing Kit • Red | AC24 | 1 |
| 11 | 324_x00 | Wavy Star Slide XL | 324_x00 | 1 |

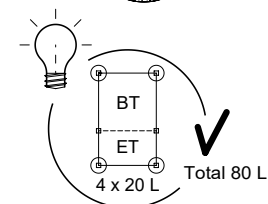
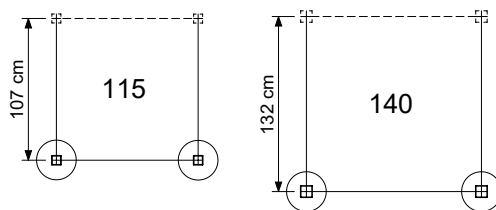
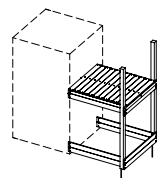
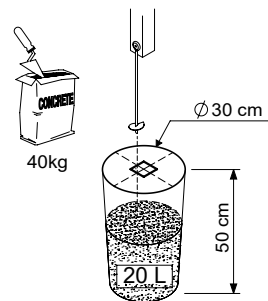
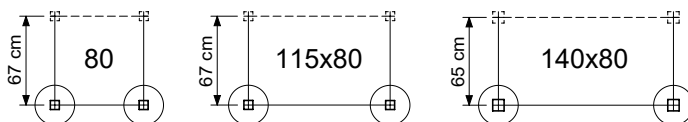
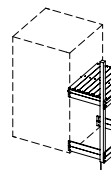
3 Anchor Plan

BASE TOWERS

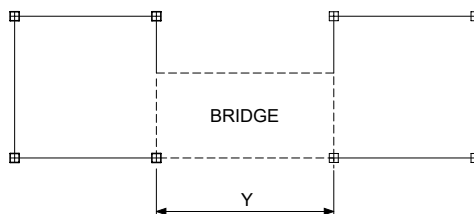
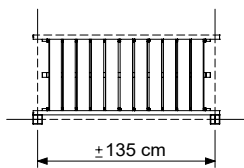
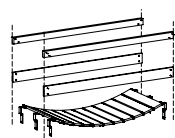


Ground Anchors Unit. - P01 - 14/04/2023 - v1.1

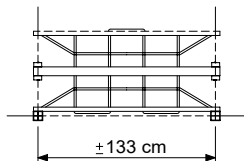
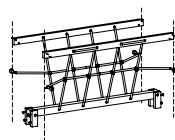
EXTENSION TOWERS



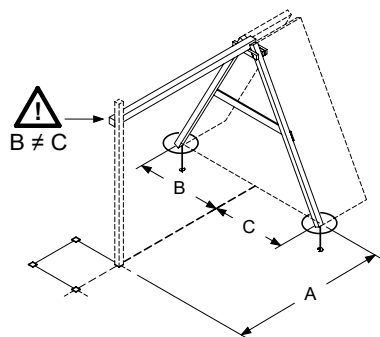
CLATTER BRIDGE



NET BRIDGE

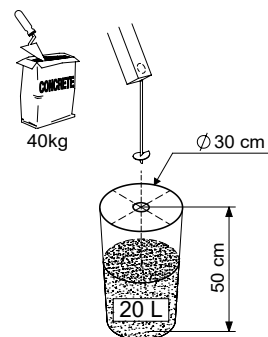


SWING / CLIMB MODULE

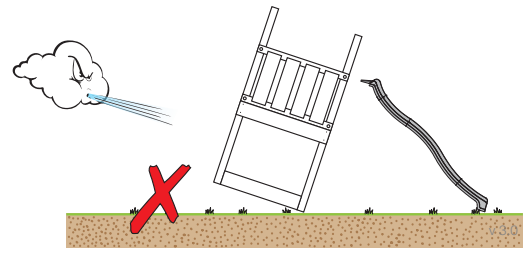
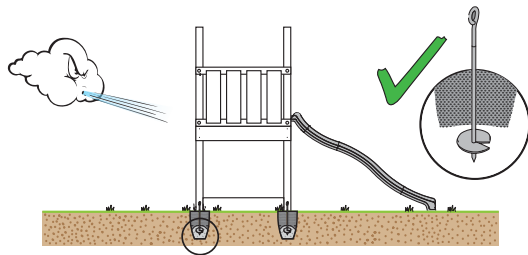
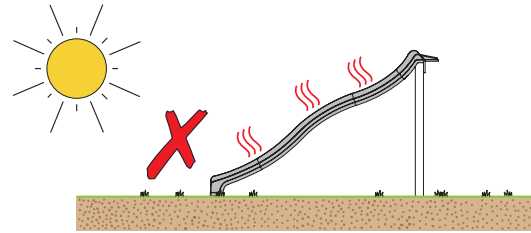
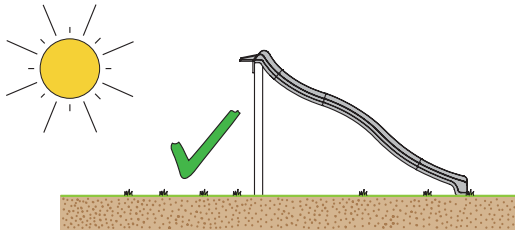
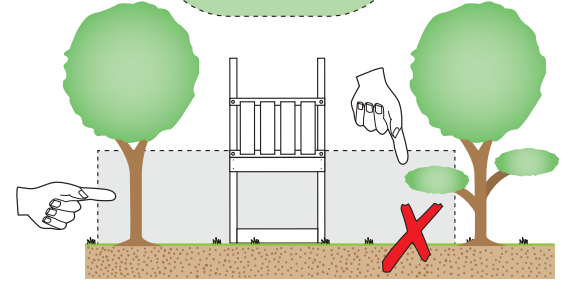
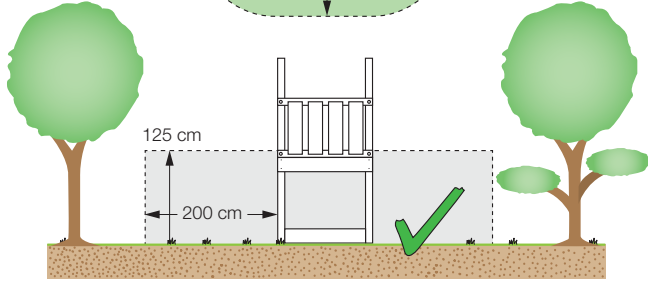
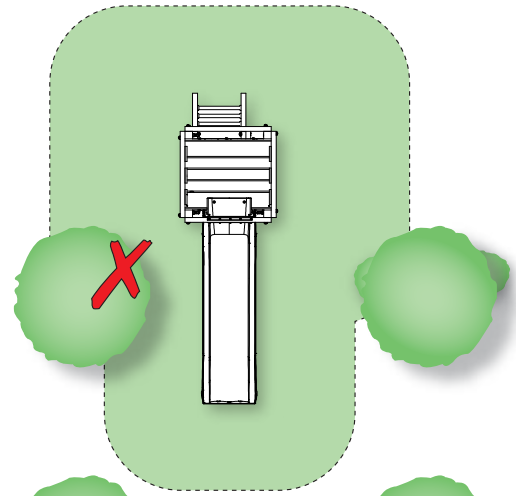
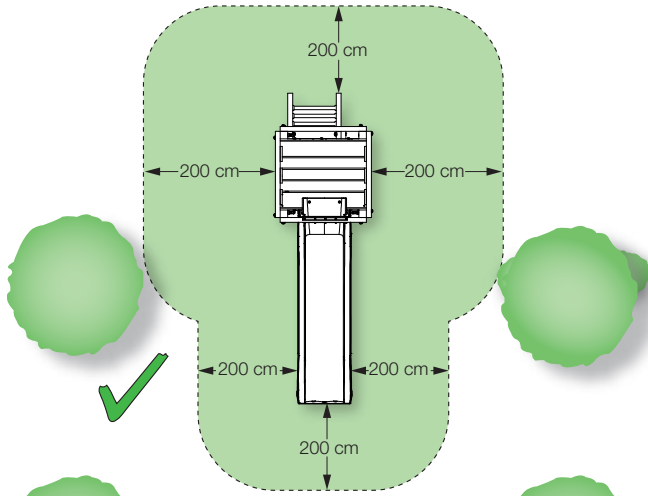
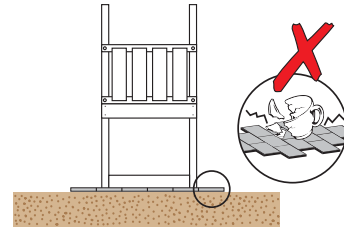
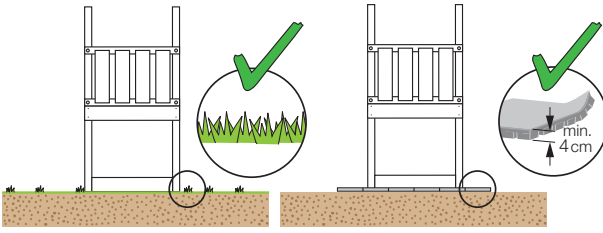
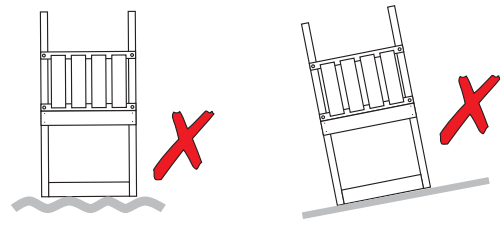
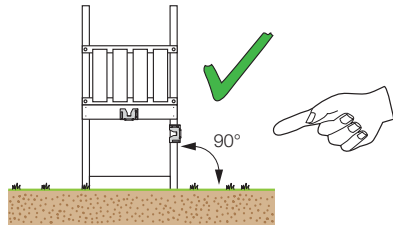


| Module type | A | B | C |
|-------------------------|-----|-----|-----|
| 1-Swing 200 | 150 | 115 | 100 |
| 1-Swing 220 / 220 Extra | | 120 | 105 |
| 2-Swing 200 | 210 | 115 | 100 |
| 2-Climb 200 | | | |
| 1-Climb 200 | 142 | 120 | 105 |
| 1-Climb 220 / 220 Extra | 162 | | |
| 2-Swing 220 / 220 Extra | 230 | 120 | 105 |
| 2-Climb 220 / 220 Extra | | | |

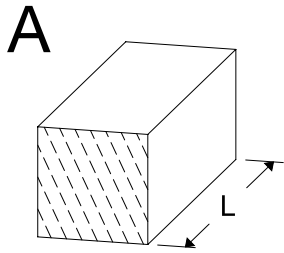
Ground Anchors Unit. - P02 - 14/04/2023 - v1.1



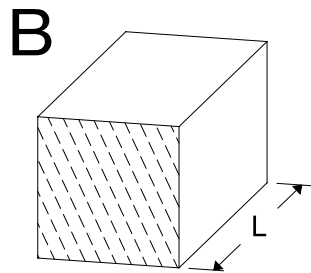
3.1 Safe Playground



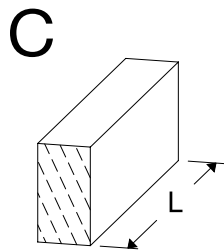
4 Timber parts



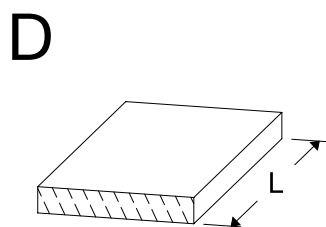
| ID | L | # |
|------|-----------------|---|
| A240 | 239 cm - 240 cm | 6 |



| | | |
|------|-----------------|---|
| B240 | 239 cm - 240 cm | 1 |
|------|-----------------|---|

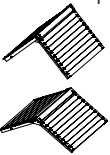



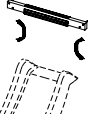

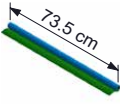

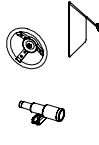

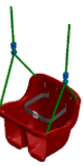
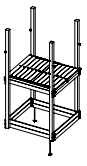



| | | |
|------|-----------------|----|
| C37 | 36 cm - 37 cm | 4 |
| C70 | 69 cm - 70 cm | 2 |
| C90 | 89 cm - 90 cm | 2 |
| C96 | 85 cm - 96 cm | 2 |
| C114 | 113 cm - 114 cm | 10 |
| C130 | 129 cm - 130 cm | 2 |



| | | |
|------|-----------------|----|
| D65 | 64 cm - 65 cm | 17 |
| D100 | 99 cm - 100 cm | 17 |
| D114 | 113 cm - 114 cm | 13 |
| D127 | 126 cm - 127 cm | 24 |
| D141 | 140 cm - 141 cm | 2 |

5 Assembly packs & accessories

| | | | | |
|--|---|--|--|---|
| <p>Roof Timber 115</p>  <p>RF</p> <p>194_308</p> <p>1x</p> | <p>Slide 2.2m</p>  <p>324_x00</p> <p>1x</p> | <p>Ladder 125</p>  <p>194_003</p> <p>LA</p> <p>1x</p> | <p>Balustrade 80</p>  <p>194_101</p> <p>BL</p> <p>2x</p> | <p>Slide Frame</p>  <p>194_107</p> <p>SL</p> <p>1x</p> |
| <p>Hardware 11</p>  <p>194_811</p> <p>H11</p> <p>1x</p> | <p>Canvas 136 x 74cm</p>  <p>123_220</p> <p>73.5 cm</p> <p>1x</p> | <p>Swing Seat</p>  <p>250_034</p> <p>AC</p> <p>1x</p> | <p>Accessory Set</p>  <p>194_119</p> <p>AC</p> <p>1x</p> | <p>Swing Frame Kit</p>  <p>457_102</p> <p>SW</p> <p>1x</p> |
| <p>Baby Swing</p>  <p>250_025</p> <p>AC</p> <p>1x</p> | <p>Tower 115</p>  <p>194_300</p> <p>BT ET</p> <p>1x</p> | <p>Balustrade 140</p>  <p>194_501</p> <p>BL</p> <p>2x</p> | | |

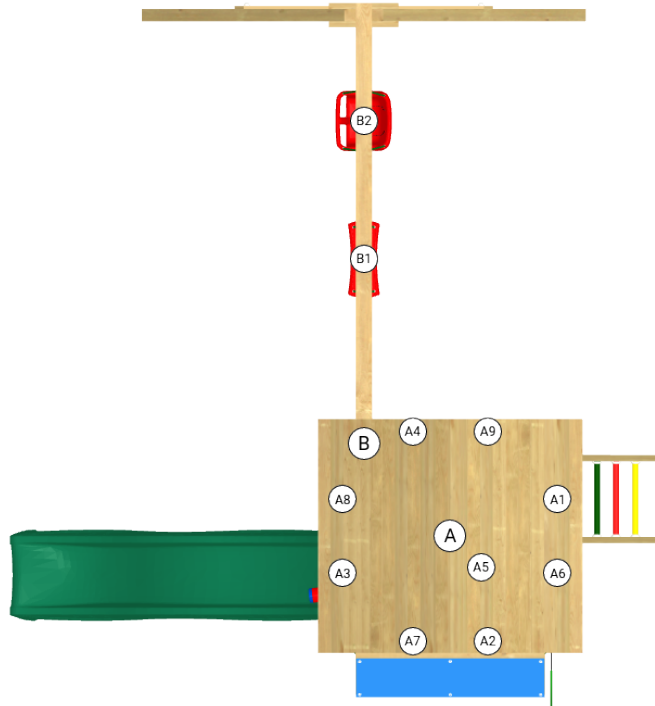
6 Hardware Identification




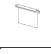




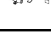
| | | L | |
|--|--|---|--|
| | | 000_101 | 20 mm |
| | | 001_102 | 30 mm |
| | | 001_404 001_406 001_411 001_417 001_422 | 30 mm 45 mm 60 mm 80 mm 137 mm |
| | | 002_036 | 16 mm |
| | | 002_041 | 20 mm |
| | | 002_042 | 13 mm |
| | | 002_301 | 40 mm |

| | | L | |
|--|--|--|----------------------------------|
| | | 002_308 002_219 002_220 002_223 | 20 mm 30 mm 45 mm 80 mm |
| | | 003_010 | |
| | | 003_034 | |
| | | 004_050 | 22mm |
| | | 022_845 022_846 022_847 022_848 | Yellow Blue Green Red |
| | | 023_031 | White |
| | | 120_005 | White |

output: 20/11/20

7 Assembly Planning



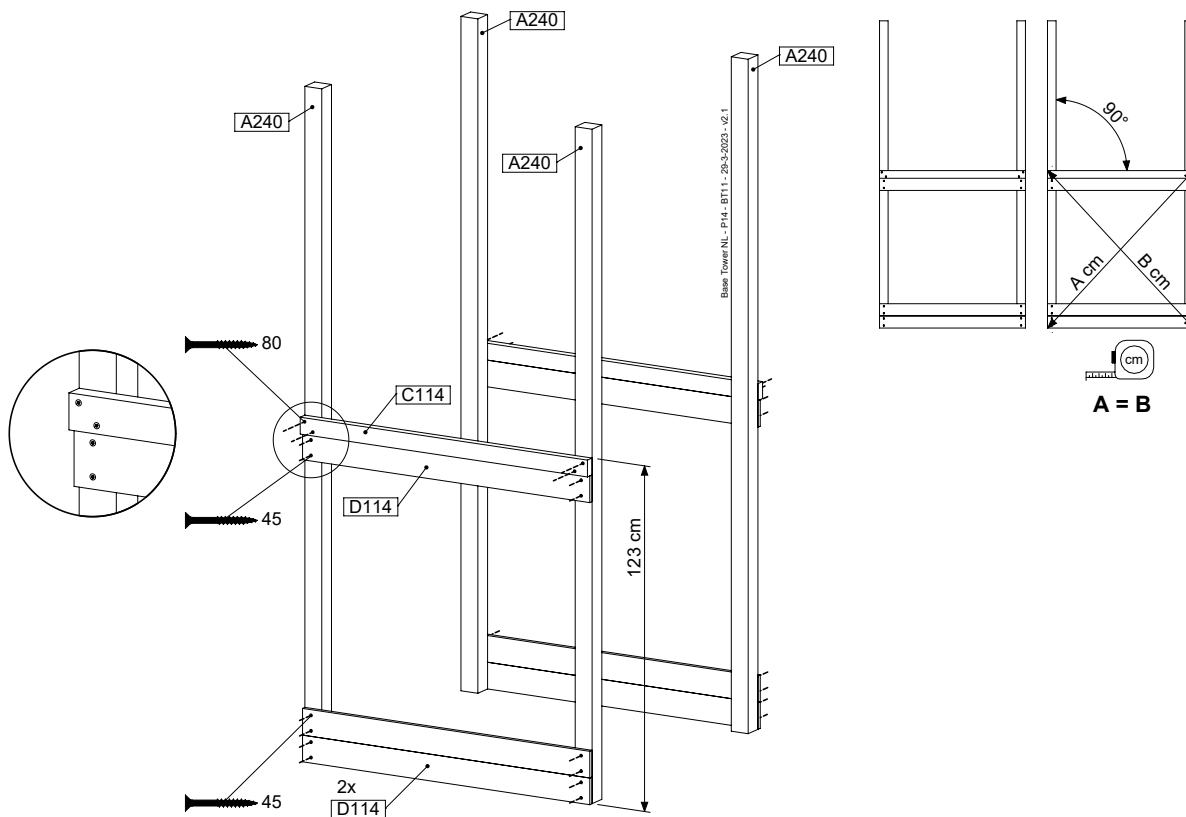
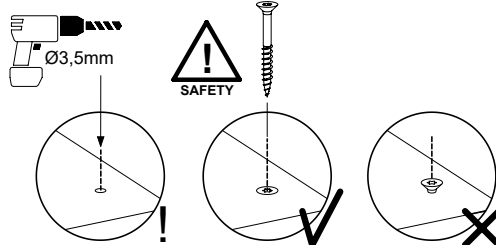
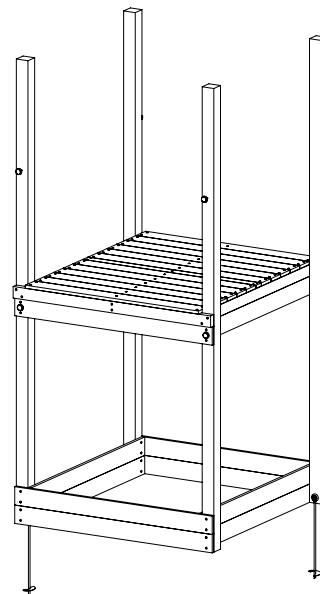
| | ID | | | A | B |
|---|------|---|------|--------|---|
| 1 | BT11 |  | p.10 | ✓ | - |
| 2 | BL03 |  | p.13 | A7, A9 | - |
| 3 | RF08 |  | p.14 | A5 | - |
| 4 | MT05 |  | p.17 | A2 | - |
| 5 | LA14 |  | p.21 | A1 | - |
| 6 | SW13 |  | p.24 | - | ✓ |
| 7 | SL09 |  | p.31 | A3 | - |
| 8 | GA |  | p.34 | ✓ | ✓ |
| 9 | AC01 |  | p.36 | ✓ | - |

8 BT11: Base Tower 115 125cm 240240

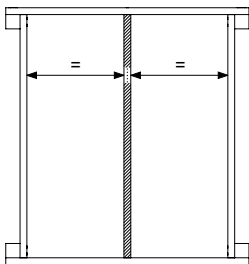
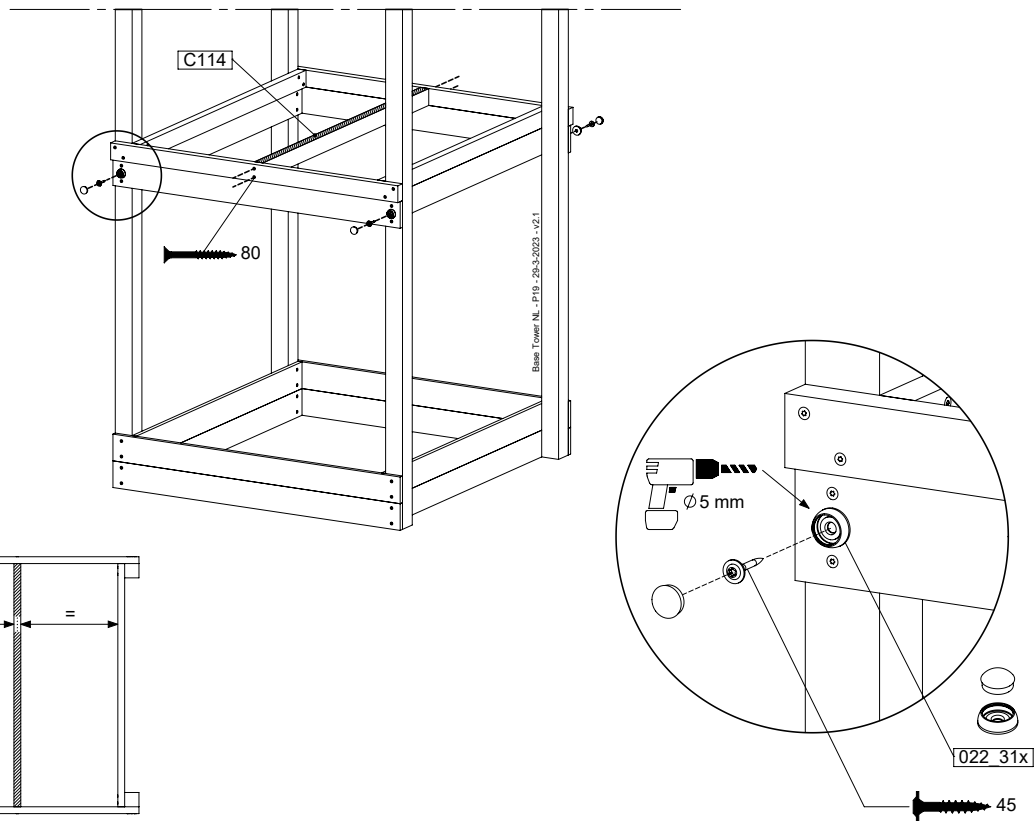
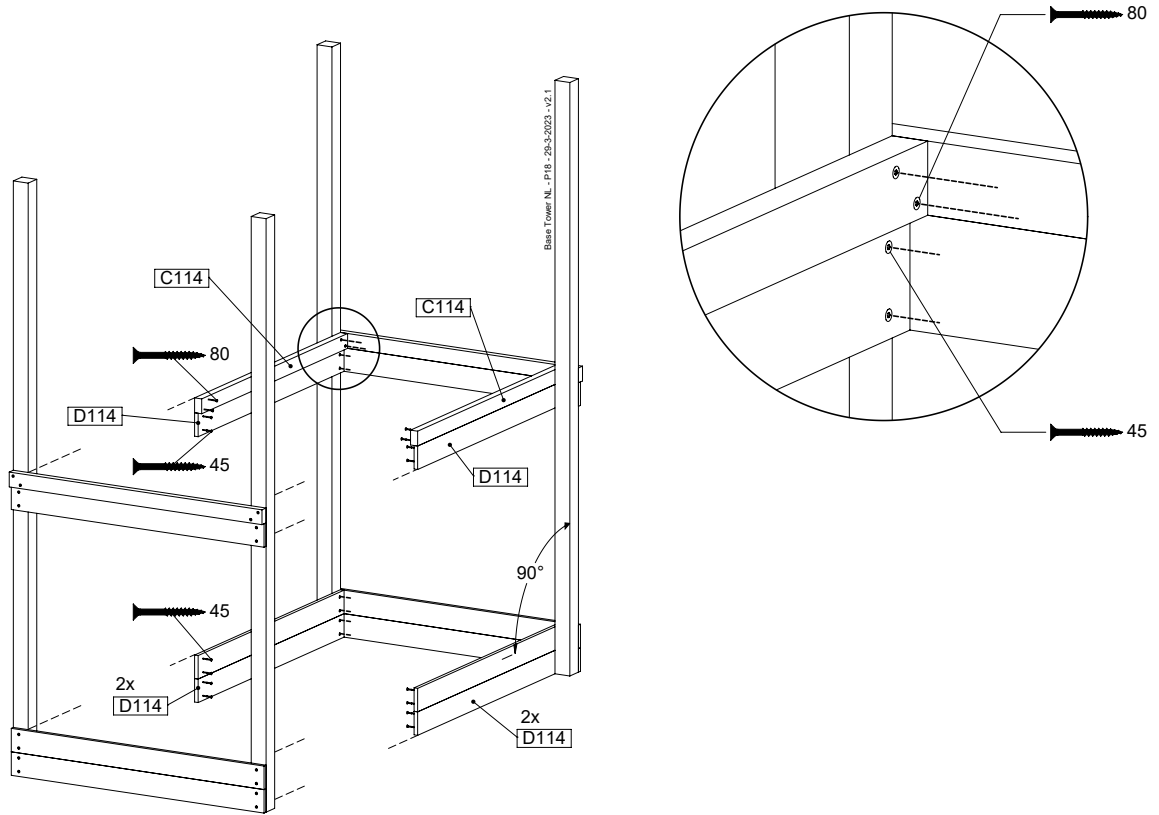
(194_300)

| | PartNo | PartName | QTY. |
|---------------|---------|----------------------------|------|
| Hardware pack | 001_406 | Stealth Screw 8x45 | 6 |
| | 001_417 | Stealth Screw 8x80 | 4 |
| | 002_220 | Gap Point Screw T25 - 5x45 | 118 |
| | 002_223 | Gap Point Screw T25 - 5x80 | 20 |
| | 022_31x | bpc-base version 3 | 8 |
| | 022_84x | bpc cover | 8 |
| Other | 007_001 | Ground-anchor | 2 |
| Timber | A240 | Post 70x70 L2400 | 4 |
| | C114 | Beam 1140 mm | 5 |
| | D100 | Board 1000 mm | 14 |
| | D114 | Board 1140 mm | 12 |

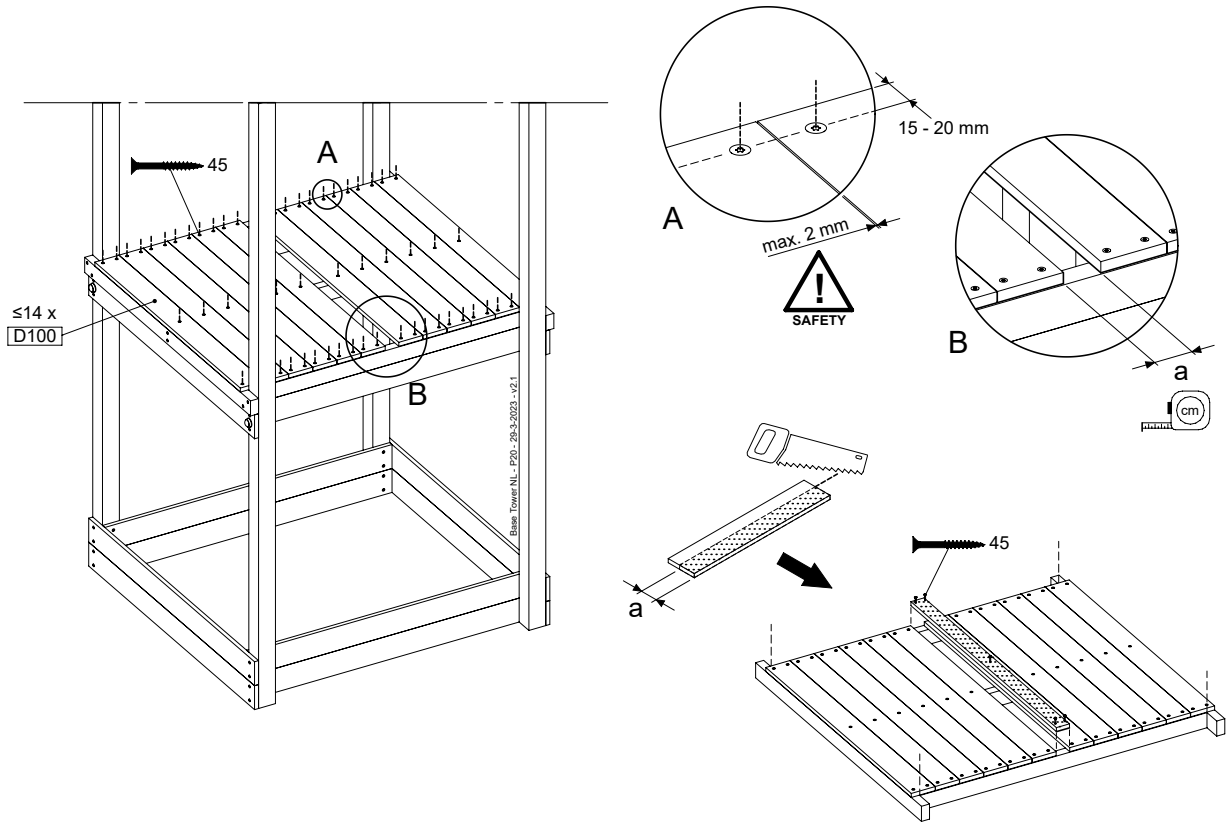
Base Tower.NL - P06 - BT11 - 25-3-2023 - v2.1



8.1



8.2

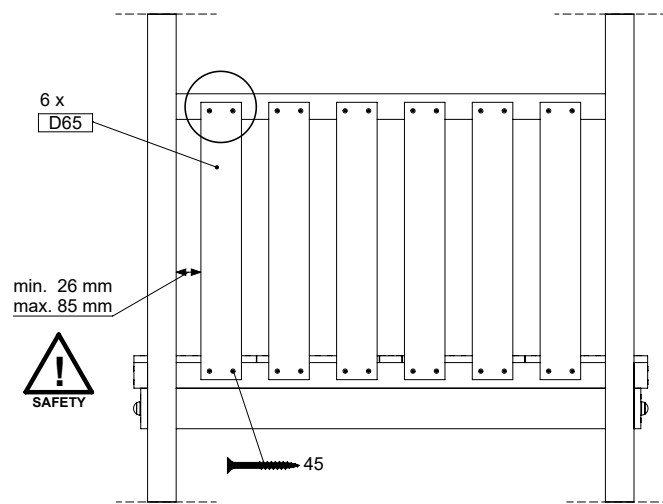
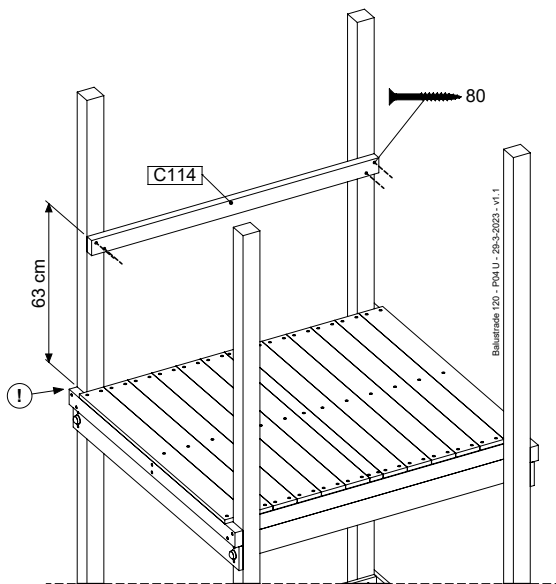
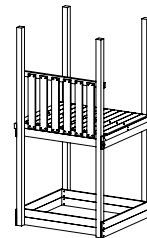
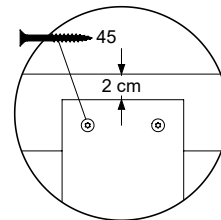
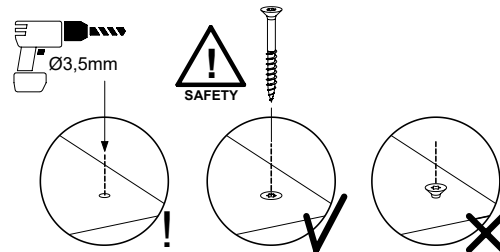
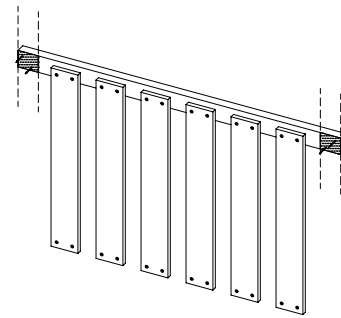


9 BL03: Balustrade 115 U

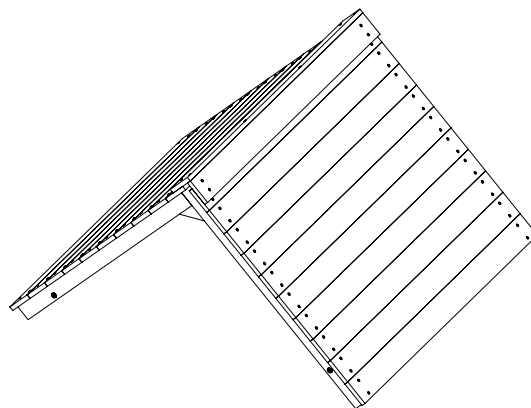
(194_501)

| | PartNo | PartName | QTY. |
|---------------|---------|----------------------------|------|
| Hardware Pack | 002_220 | Gap Point Screw T25 - 5x45 | 24 |
| | 002_223 | Gap Point Screw T25 - 5x80 | 4 |
| Timber | C114 | Beam 1140 mm | 1 |
| | D65 | Board 650 mm | 6 |

Balustrade 120 - Pod U - 29-3-2023 - v1.1



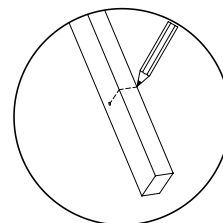
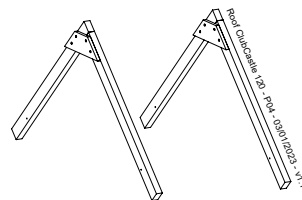
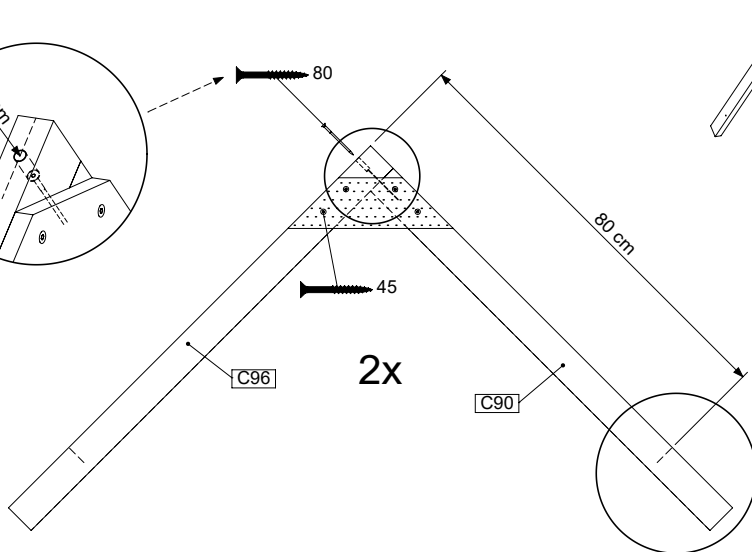
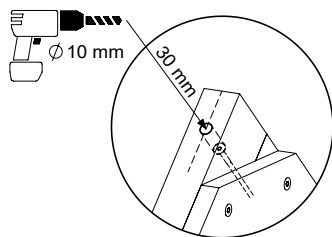
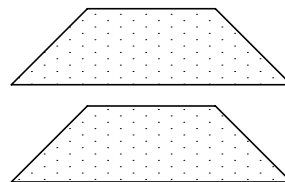
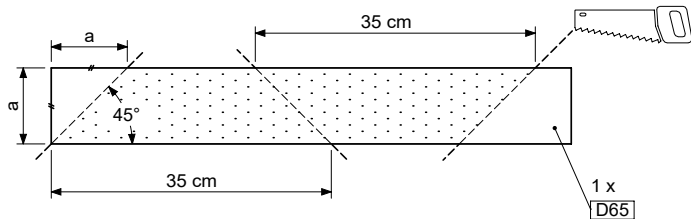
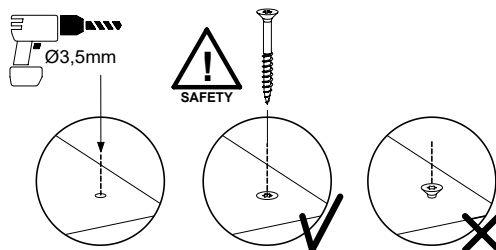
10 RF08: Roof Timber Gable 115



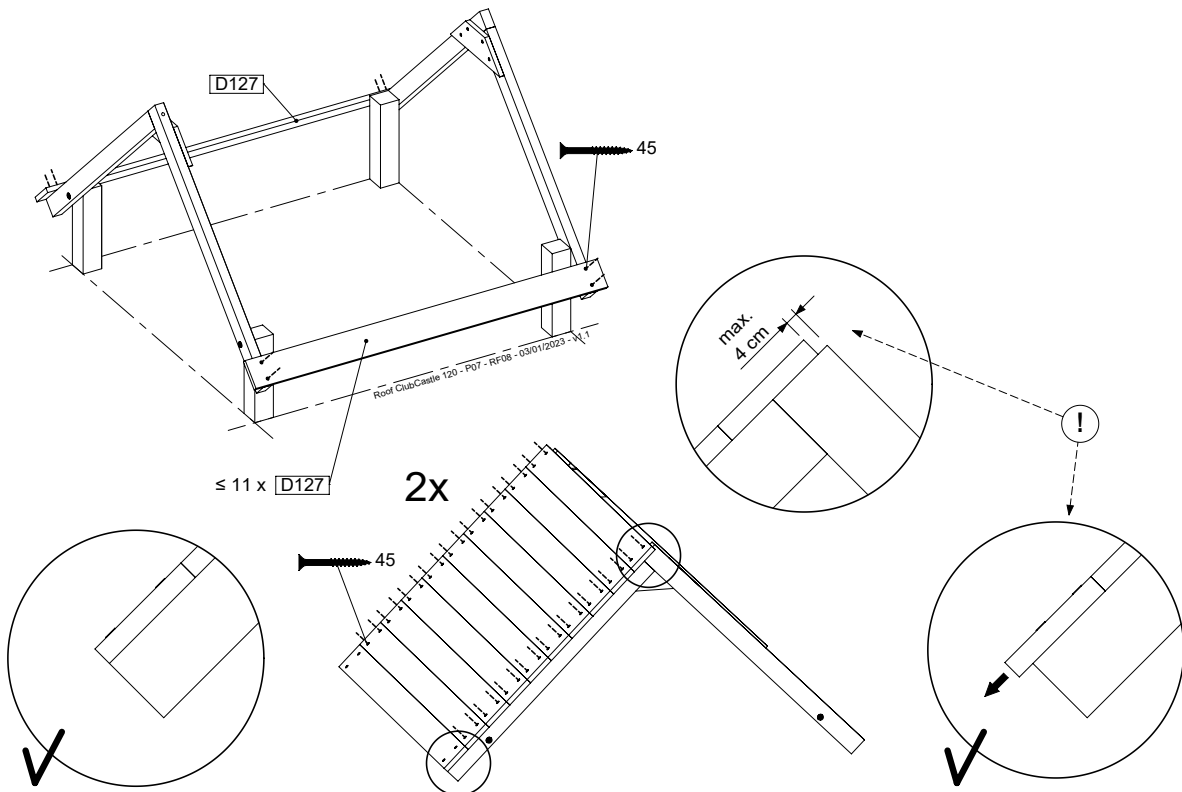
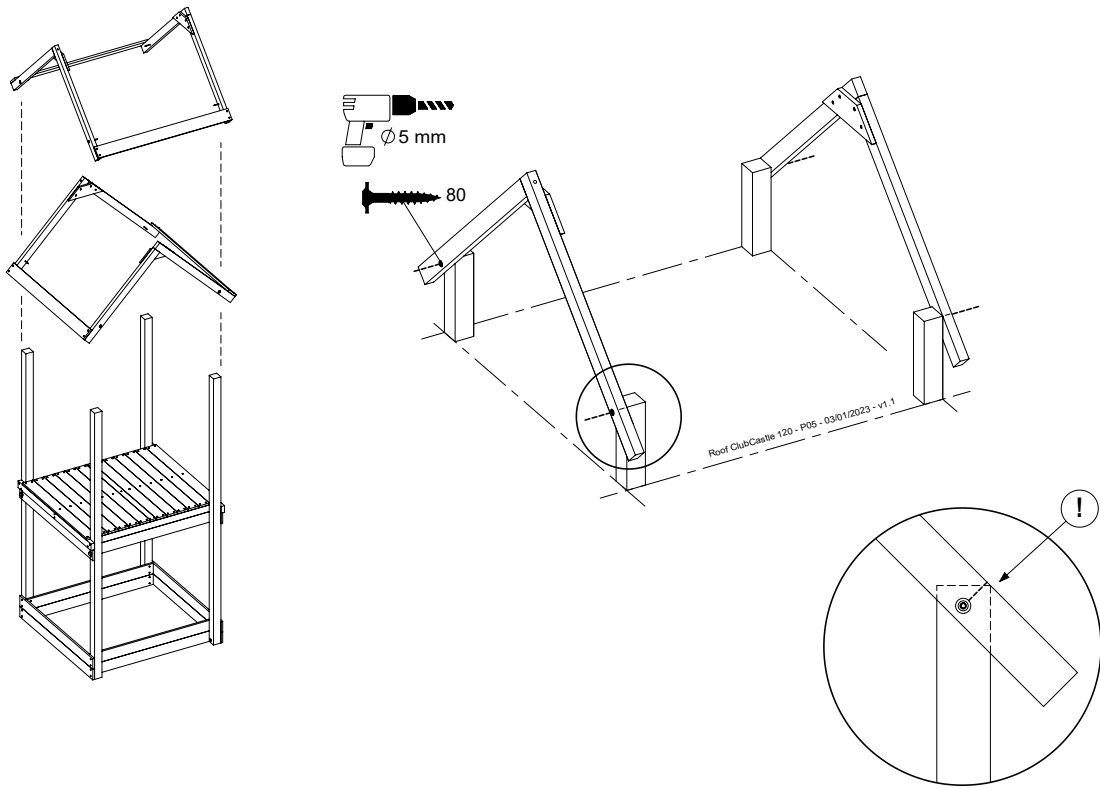
AP 194_308 / RF

| | PartNo | PartName | QTY. |
|---------------|---------|----------------------------|-------|
| Hardware Pack | 001_417 | Stealth Screw 8x80 | 4 |
| | 002_220 | Gap Point Screw T25 - 5x45 | 100 |
| | 002_223 | Gap Point Screw T25 - 5x80 | 8 |
| Timber | C96 | Beam 960 mm | 2 |
| | D65 | Board 650 mm | 1 |
| | D127 | Board 1270 mm | 18-24 |
| | C90 | Beam 900 mm | 2 |

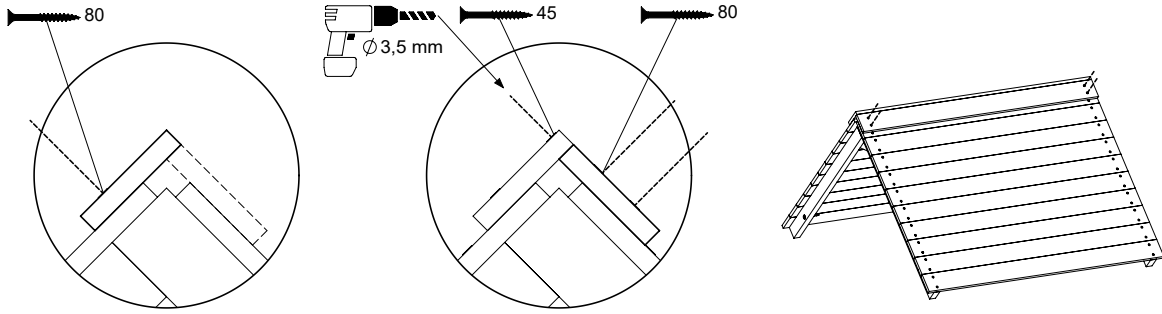
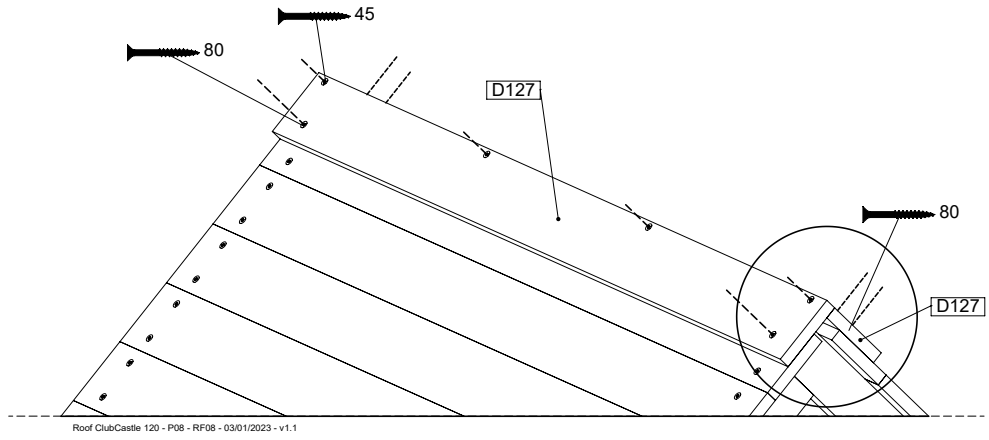
Roof ChaCastle 120 - P03 - RF08 - 03/01/2023 - v1.1



10.1



10.2

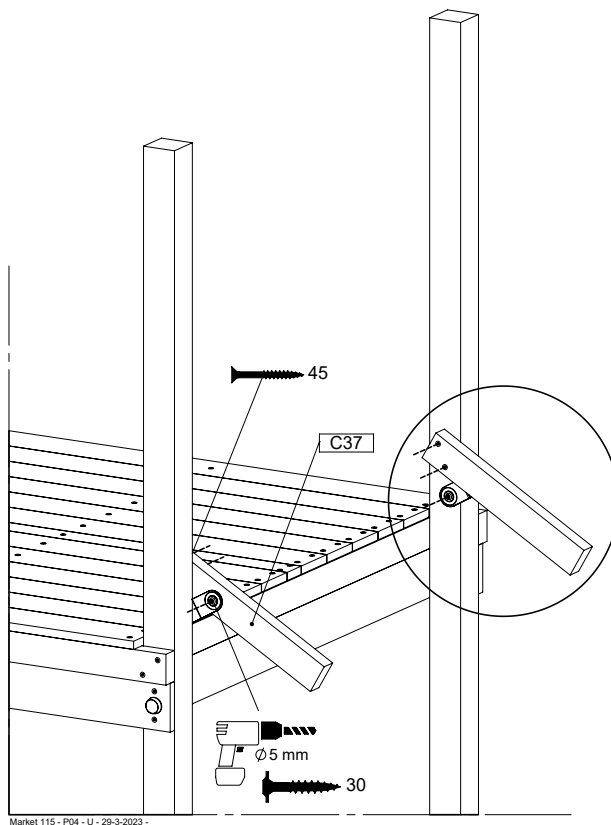
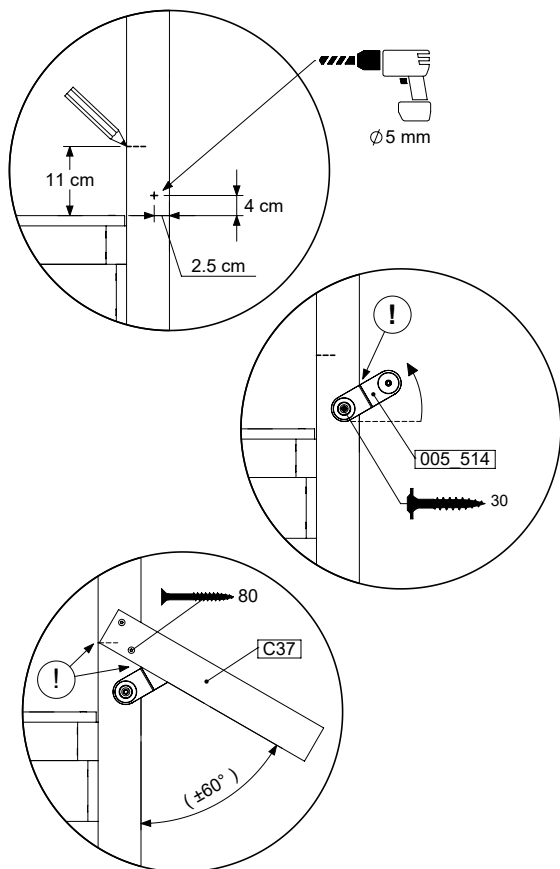
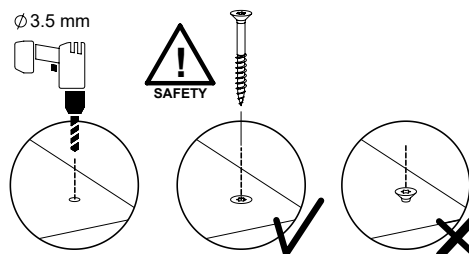
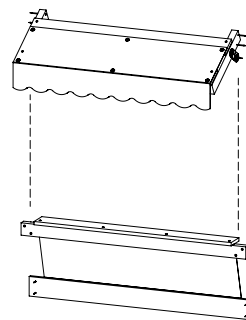


11 MT05: Market 115 U

(194_008)

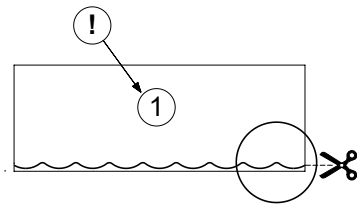
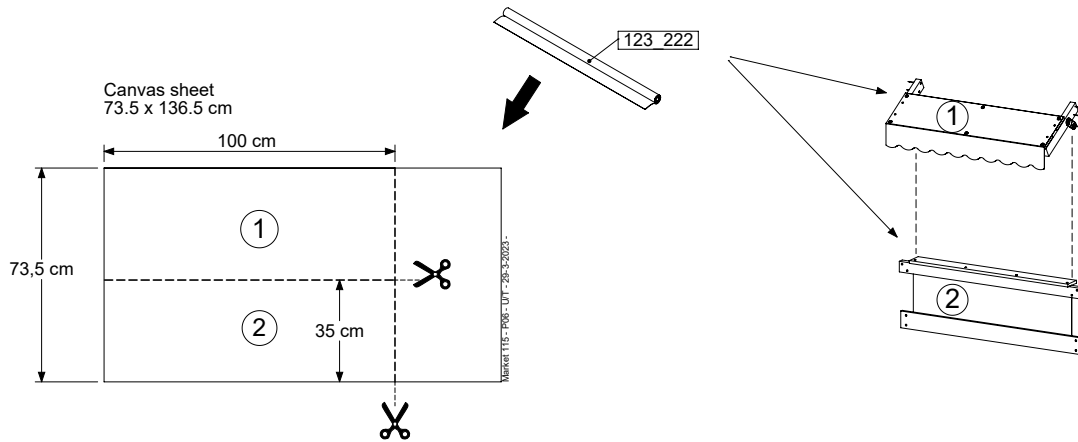
| | PartNo | PartName | QTY. |
|---------------|---------|----------------------------|------|
| Hardware Pack | 001_404 | Stealth Screw 8x30 | 4 |
| | 002_220 | Gap Point Screw T25 - 5x45 | 16 |
| | 002_223 | Gap Point Screw T25 - 5x80 | 8 |
| | 002_308 | Gap Point Screw T25 - 5x20 | 10 |
| | 005_514 | Ladder Bracket | 2 |
| | 023_031 | Finishing Washer GPS 5.0 | 10 |
| Other | 123_220 | Canvas sheet 735x1365mm | 1 |
| Timber | C37 | Beam 370 mm | 2 |
| | C114 | Beam 1140 mm | 1 |
| | D100 | Board 1000 mm | 3 |
| | D114 | Board 1140 mm | 1 |

Market 115 - P02 - U - 29-3-2023

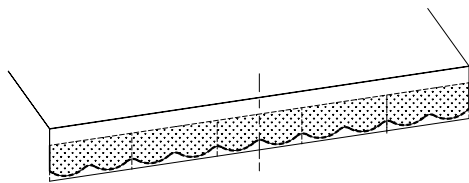


Market 115 - P04 - U - 29-3-2023

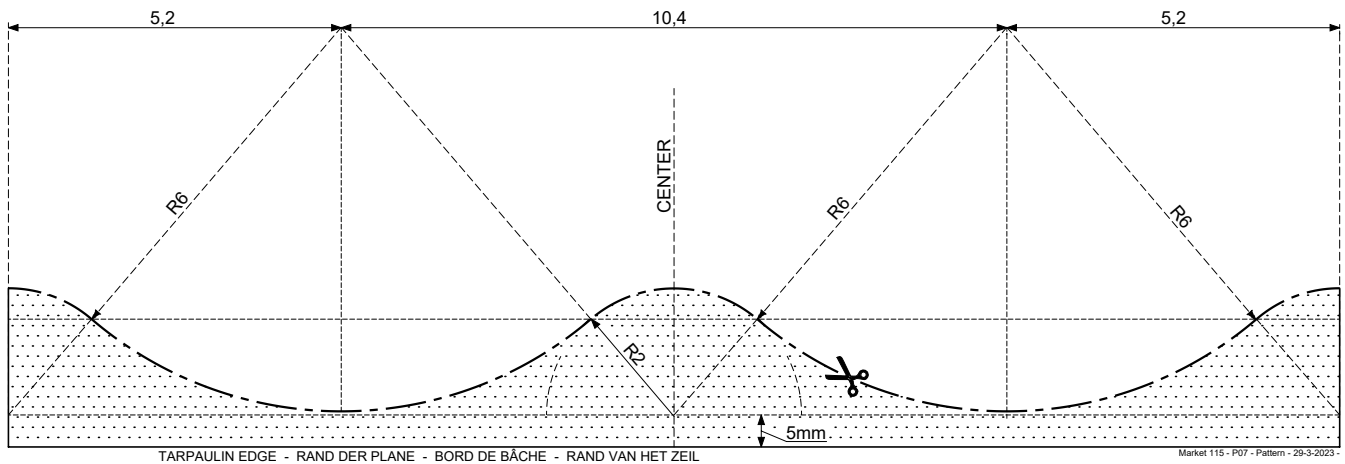
11.1



➔ Pattern



EXAMPLE PATTERN
BEISPIELVORLAGE FÜR MARKISE
SCHÉMA SUGGÉRÉ DE DÉCOUPE POUR AUVENT
VOORBEELDSJABLOON LUIFEL

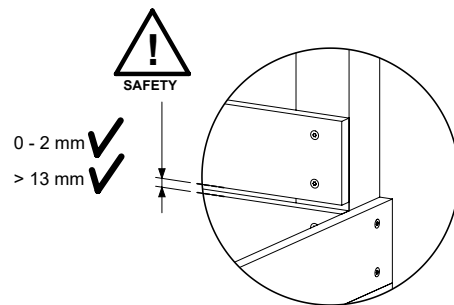
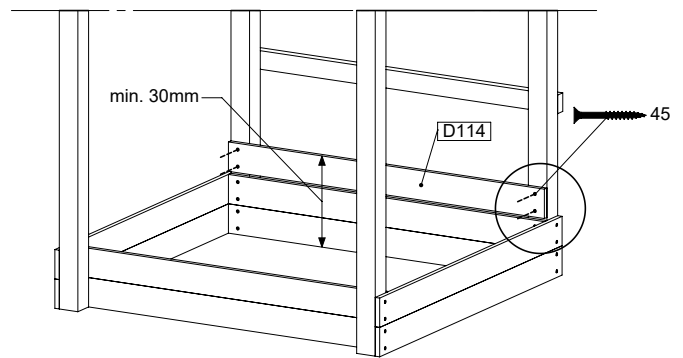
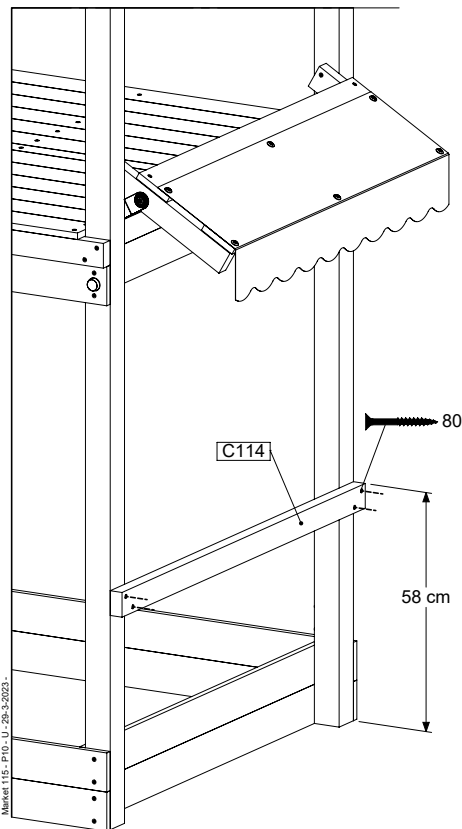
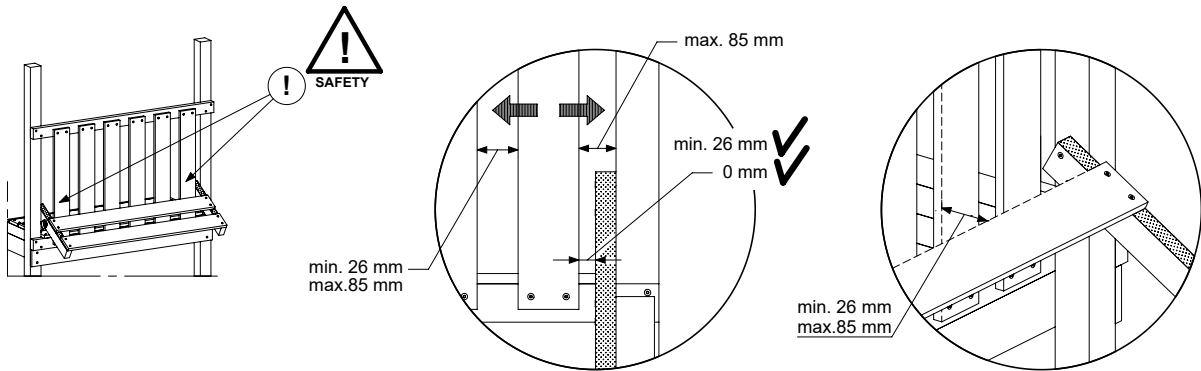
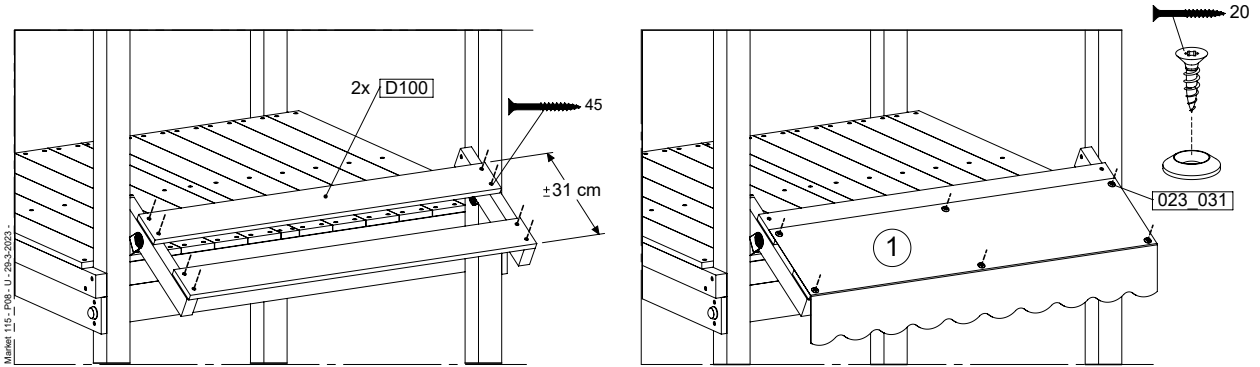


← repeat

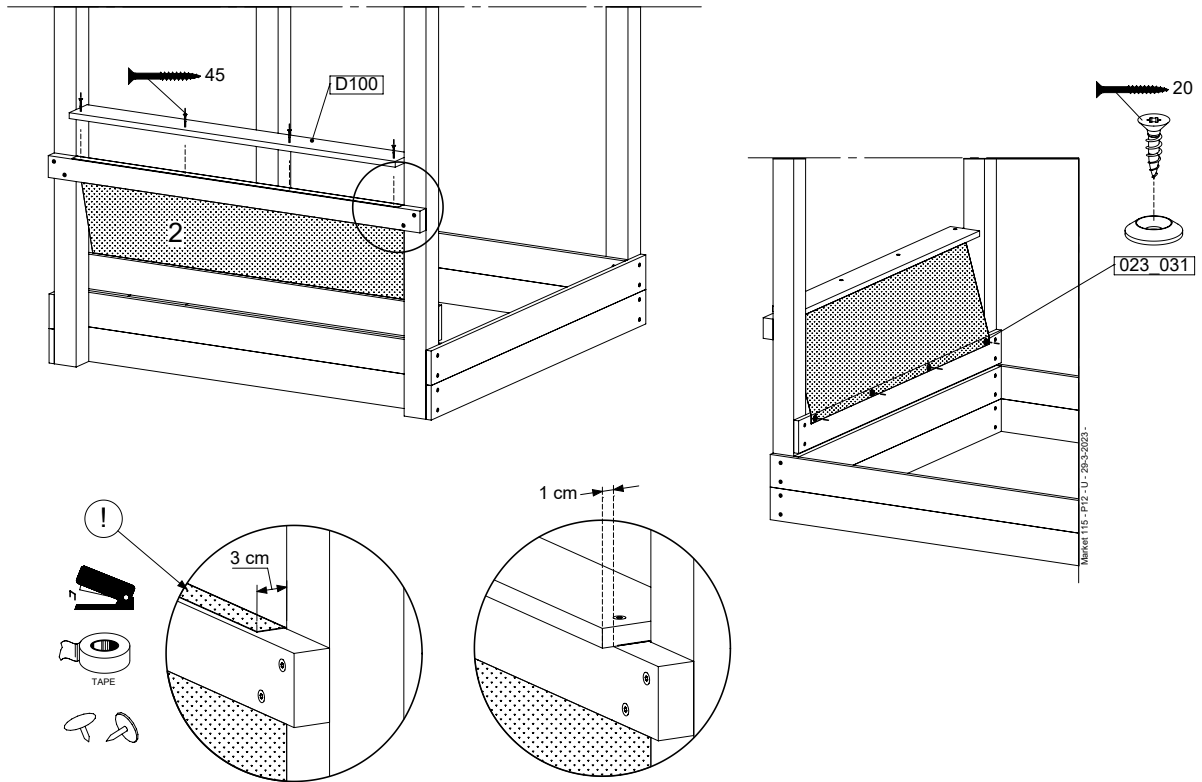
repeat →

! Scale of print may not be accurate.
Druckformat kann abweichen.
Les tailles imprimées peuvent varier.
Printformaat kan afwijken.

11.2



11.3

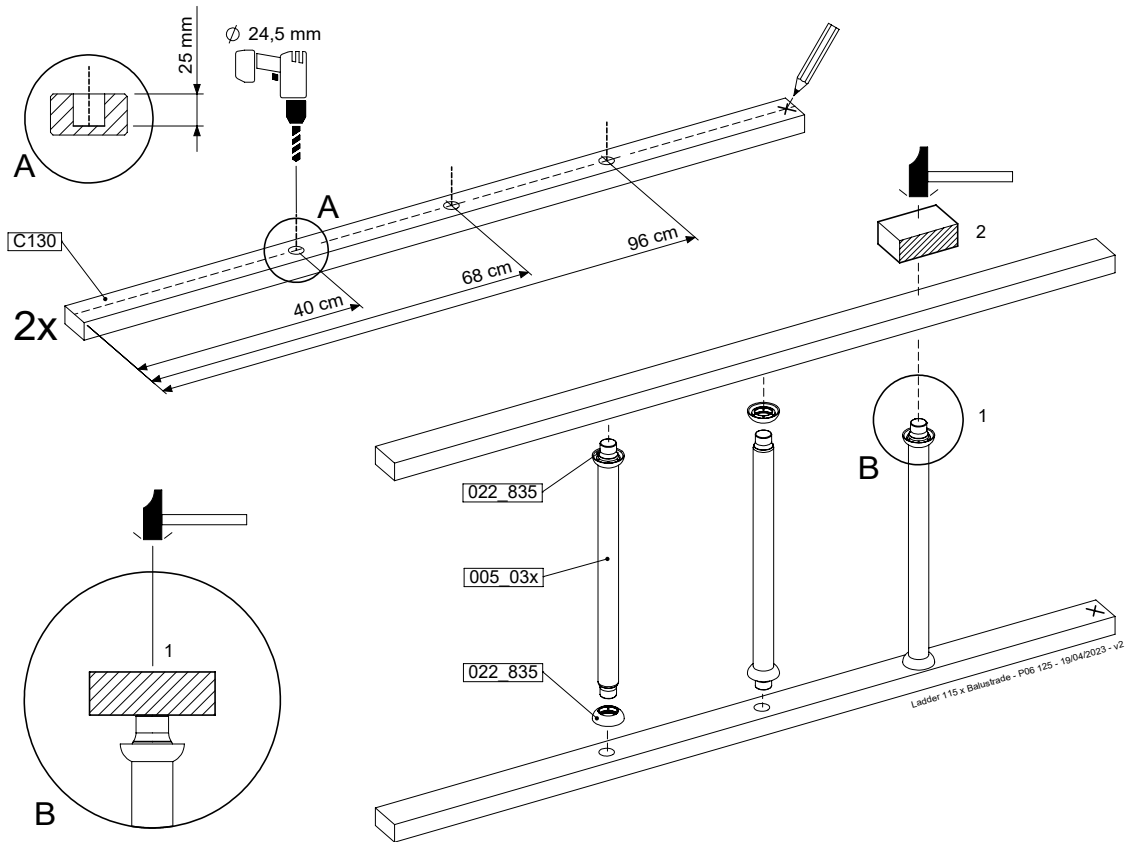
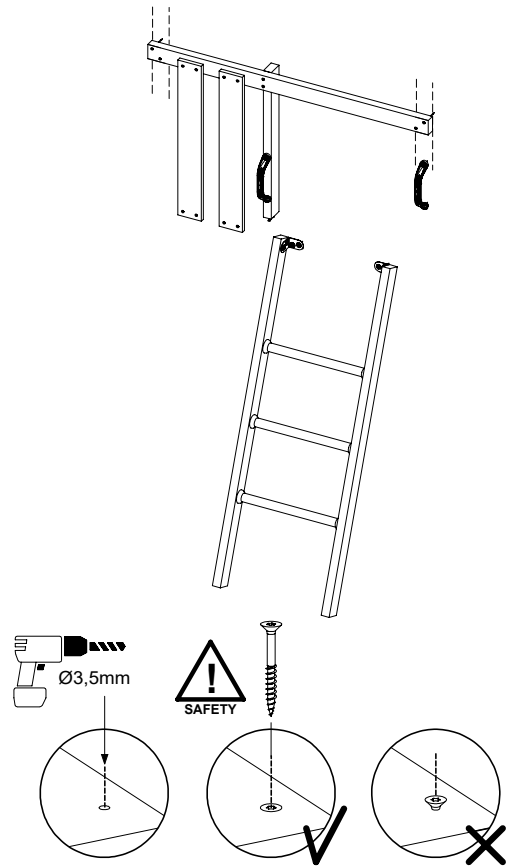


12 LA14: Ladder 115 125 T Right

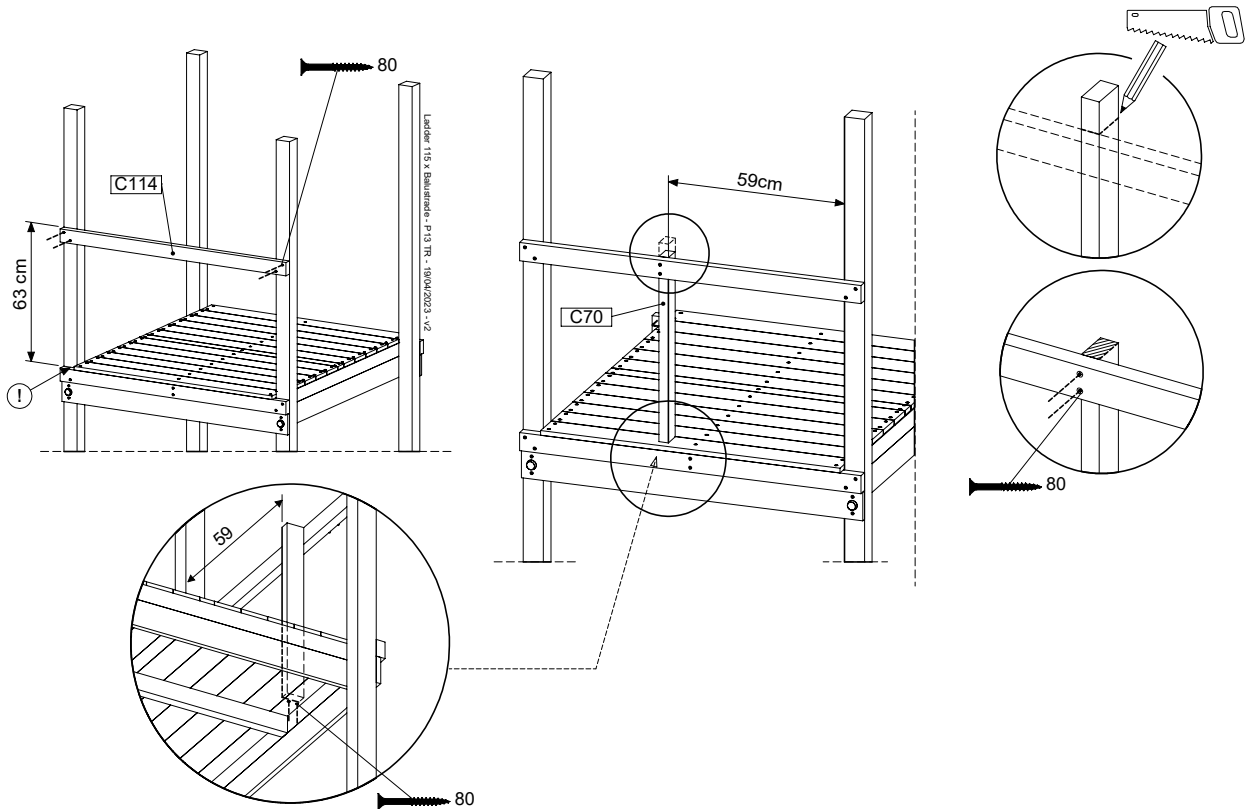
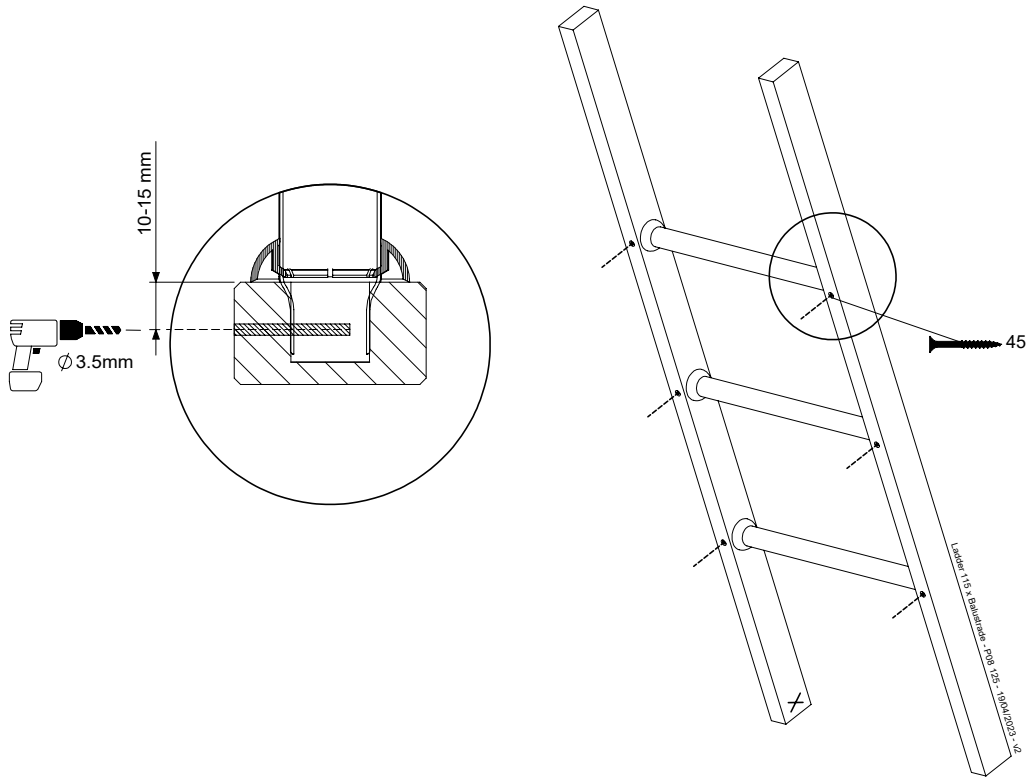
(194_003 + 194_101)

| | PartNo | PartName | QTY. |
|---------------|---------|--------------------------------|------|
| Hardware Pack | 001_404 | Stealth Screw 8x30 | 4 |
| | 002_219 | Gap Point Screw T25 - 5x30 | 4 |
| | 002_220 | Gap Point Screw T25 - 5x45 | 14 |
| | 002_223 | Gap Point Screw T25 - 5x80 | 8 |
| Other | 005_03x | Ladder Rung Y/B/G/R | 3 |
| | 005_522 | Connection Bracket Mini Market | 2 |
| | 022_835 | Rung Cap | 6 |
| | 120_102 | Handgrip set (complete 2x) | 1 |
| Timber | C114 | Beam 1140 mm | 1 |
| | C130 | Beam 1300 mm | 2 |
| | C70 | Beam 700 mm | 1 |
| | D65 | Board 650 mm | 2 |

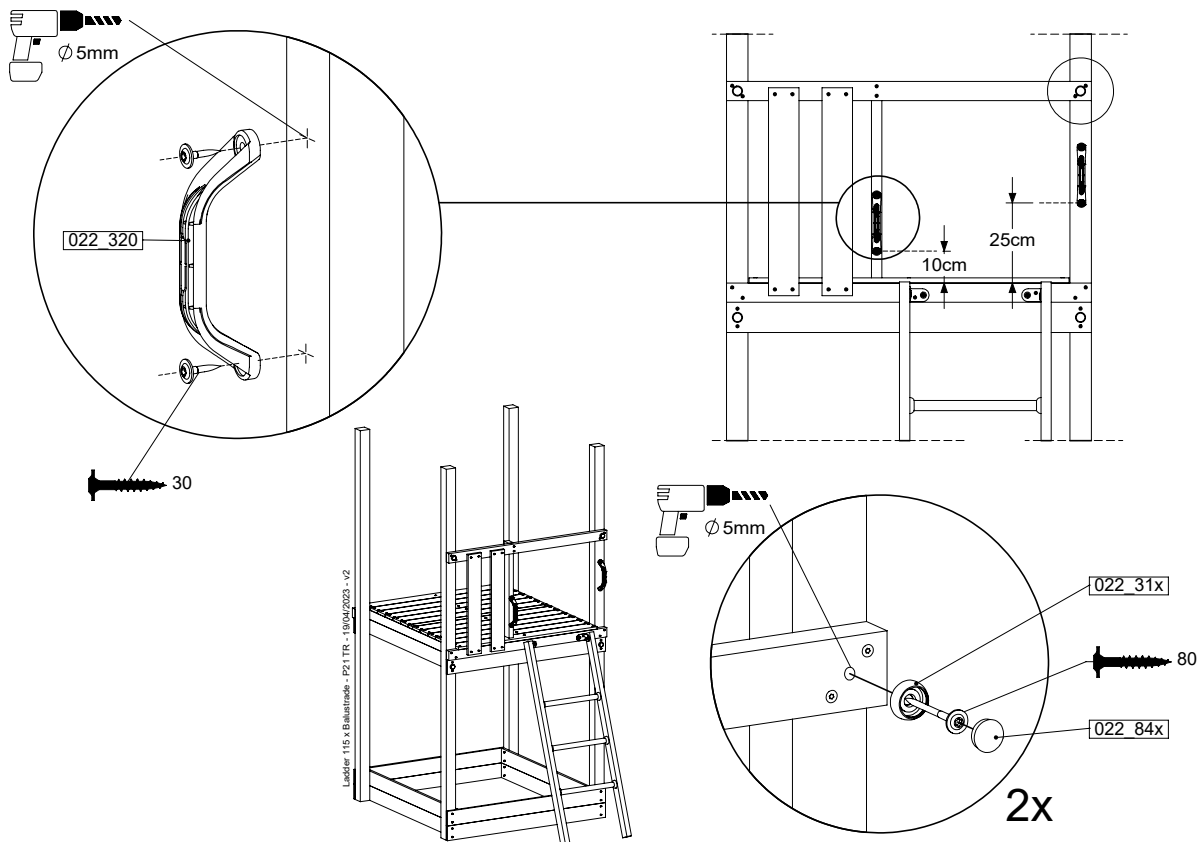
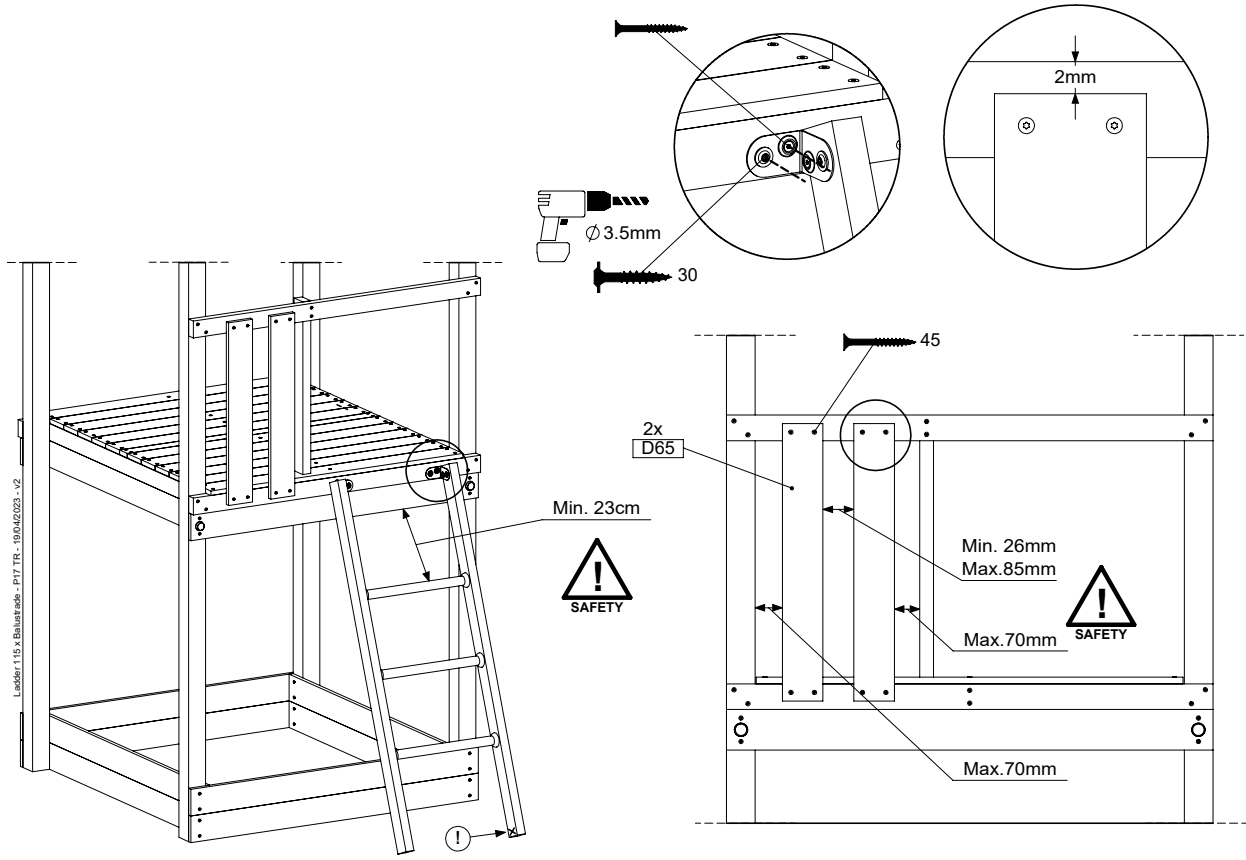
Ladder 115 x Balustrade - P05 TR125 - 19/04/2023 - v2



12.1



12.2



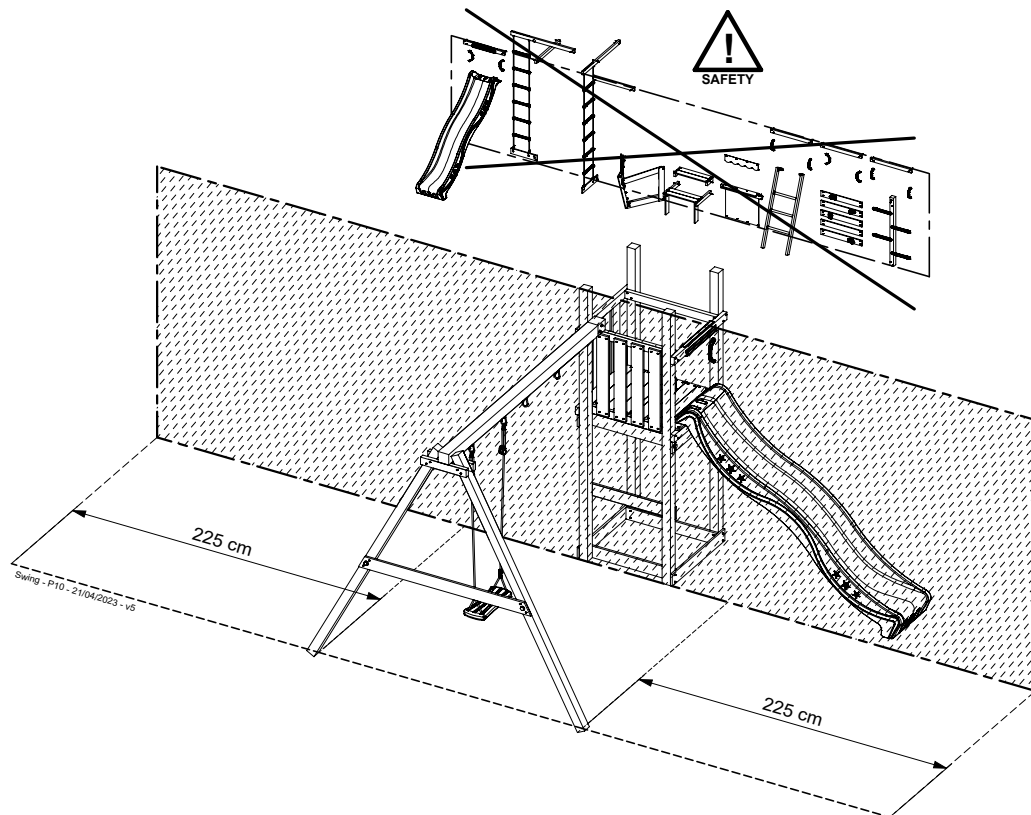
13 SW13: 2-Swing Module 220

(457_102)

| | PartNo | PartName | QTY. |
|---------------|---------|----------------------------|-------|
| Hardware Pack | 001_406 | Stealth Screw 8x45 | 4 |
| | 001_417 | Stealth Screw 8x80 | 3 / 4 |
| | 001_422 | Stealth Screw 8x137 | 3 |
| | 002_220 | Gap Point Screw T25 - 5x45 | 12 |
| | 002_223 | Gap Point Screw T25 - 5x80 | 6 |
| Other | 005_528 | Swing Beam Bracket 7x7 | 1 |
| | 007_001 | Ground-anchor | 2 |
| | 022_31x | bpc-base version 3 | 2 |
| | 022_84x | bpc cover | 2 |
| | 023_031 | Finishing Washer GPS 5.0 | 2 |
| Timber | 101_003 | Swing hook with Carabiner | 4 |
| | A220 | Post 70x70 L2200 | 2 |
| | B220 | Post 90x90 L2200 | 1 |
| | C37 | Beam 370 mm | 2 |
| | D141 | Board 1410 mm | 2 |

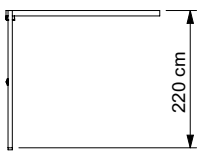
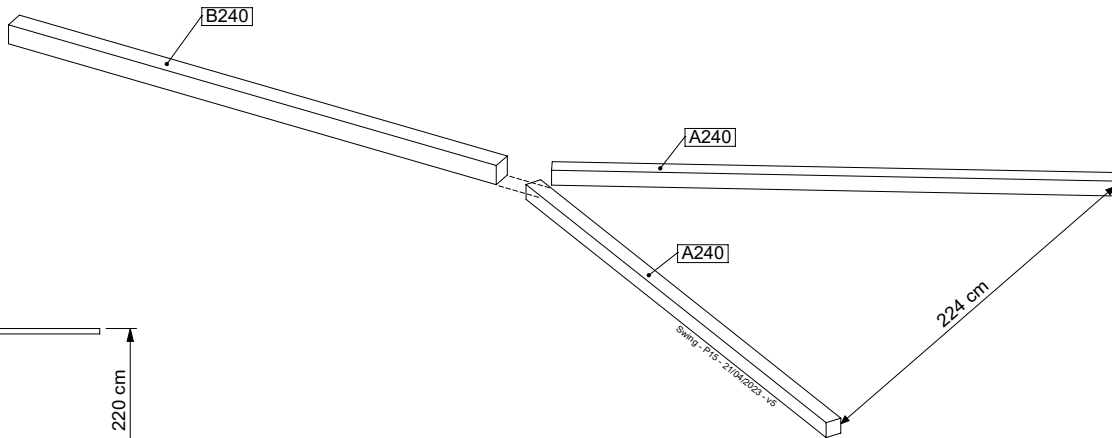
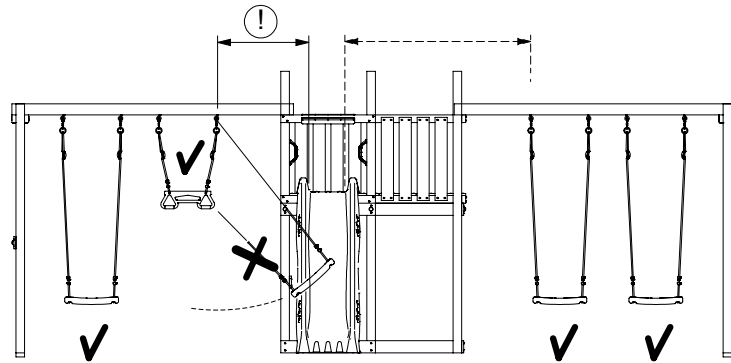
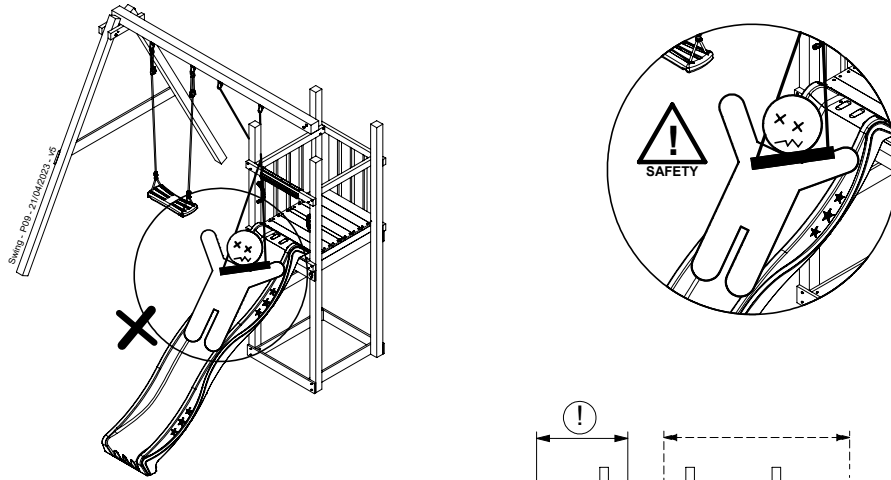
Swing - P10 - 2104/2023 - v5

2-Swing Module 220



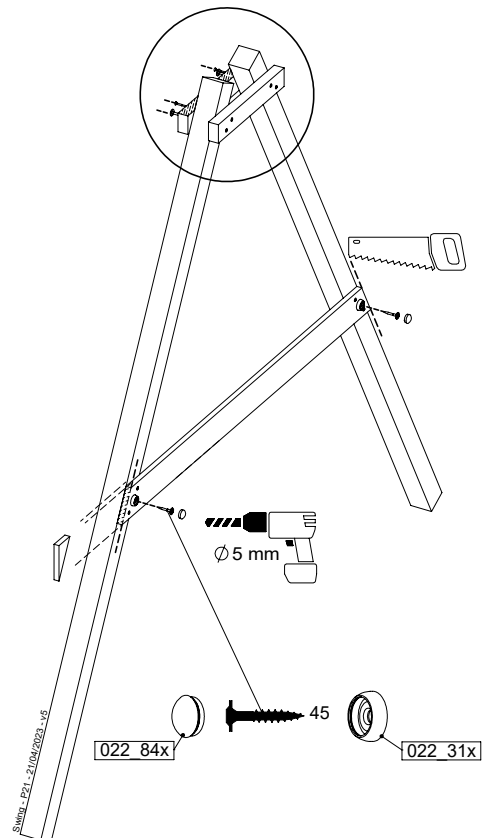
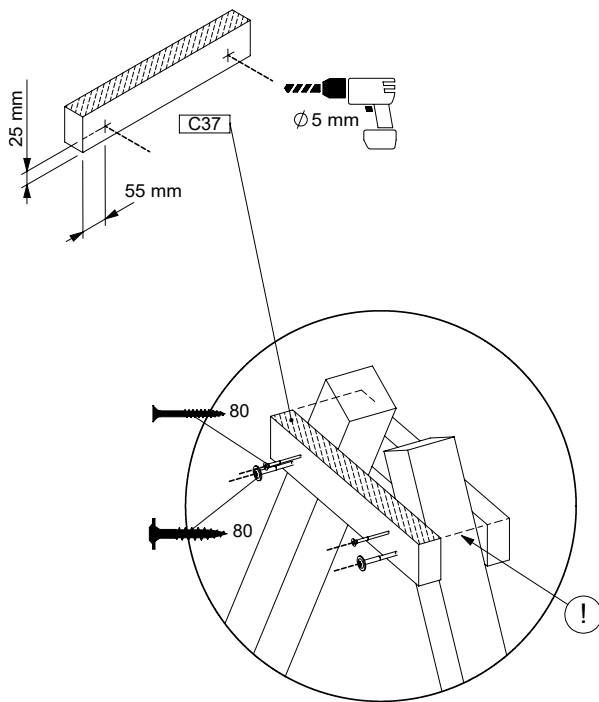
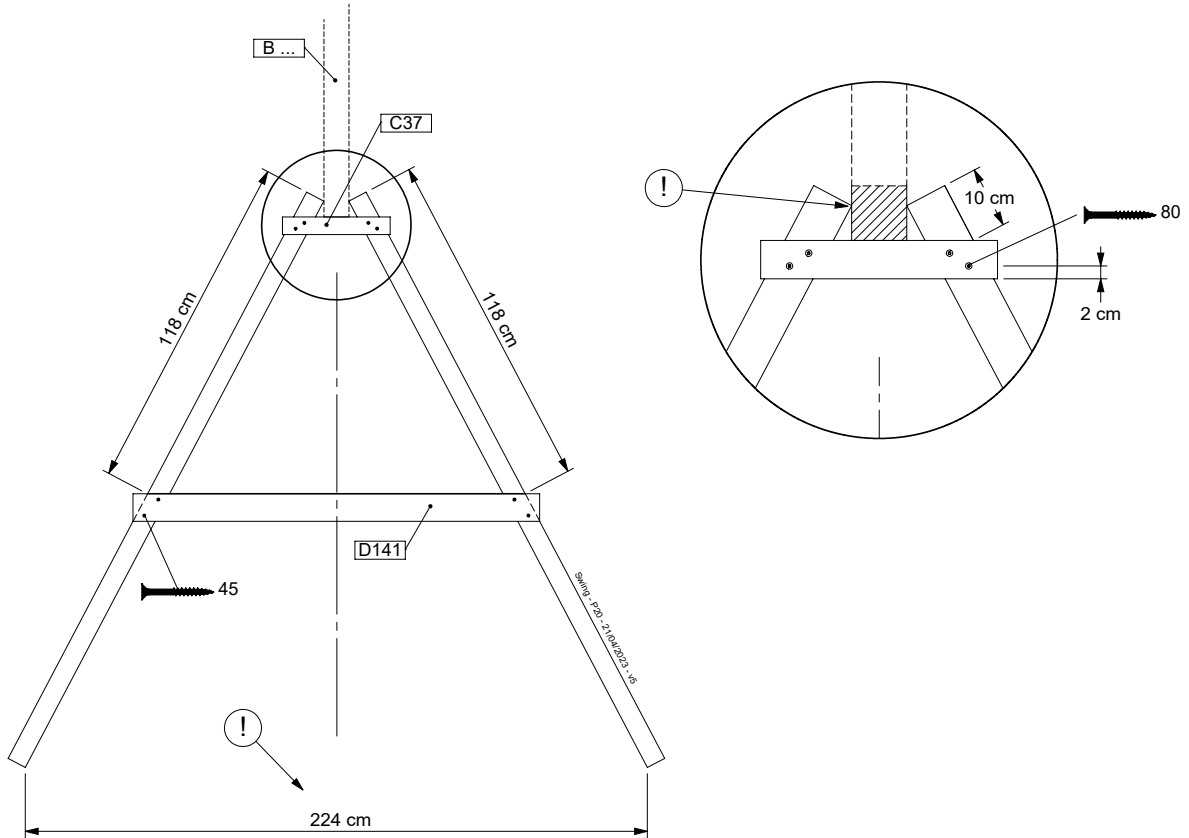
Swing - P10 - 2104/2023 - v5

13.1

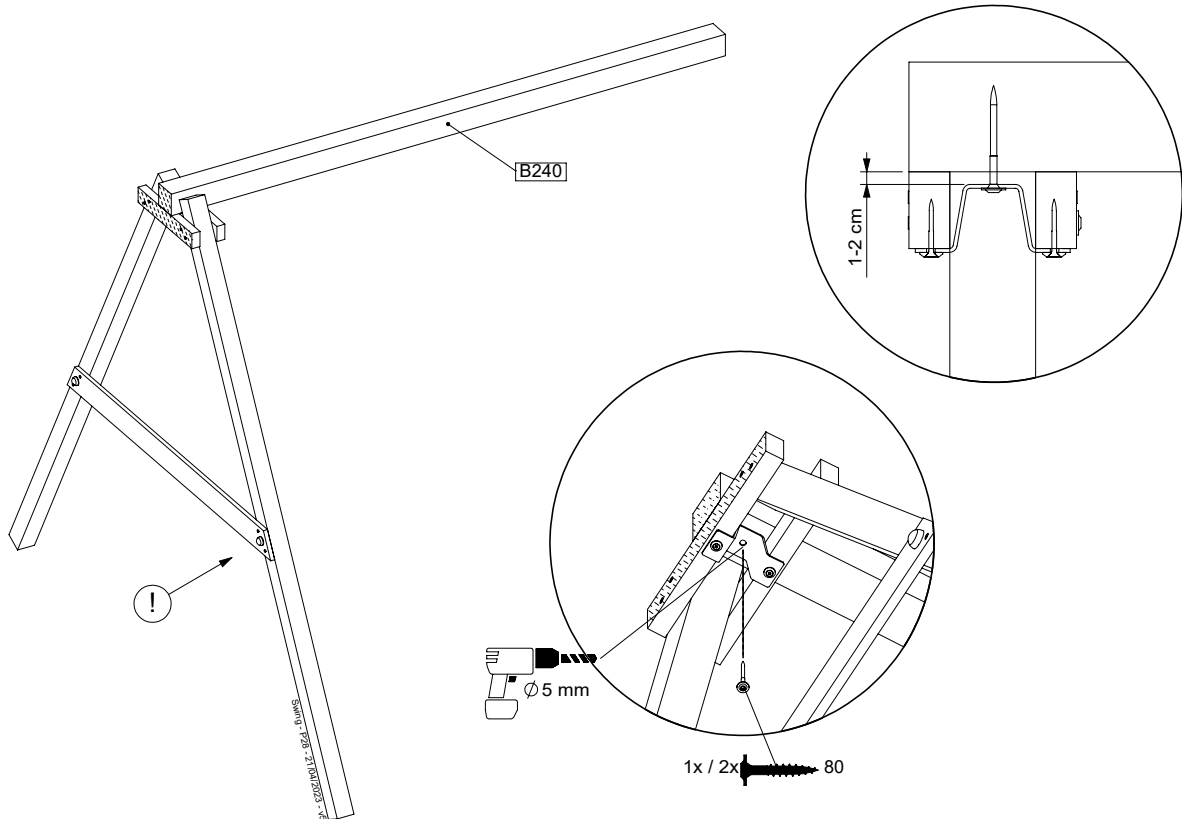
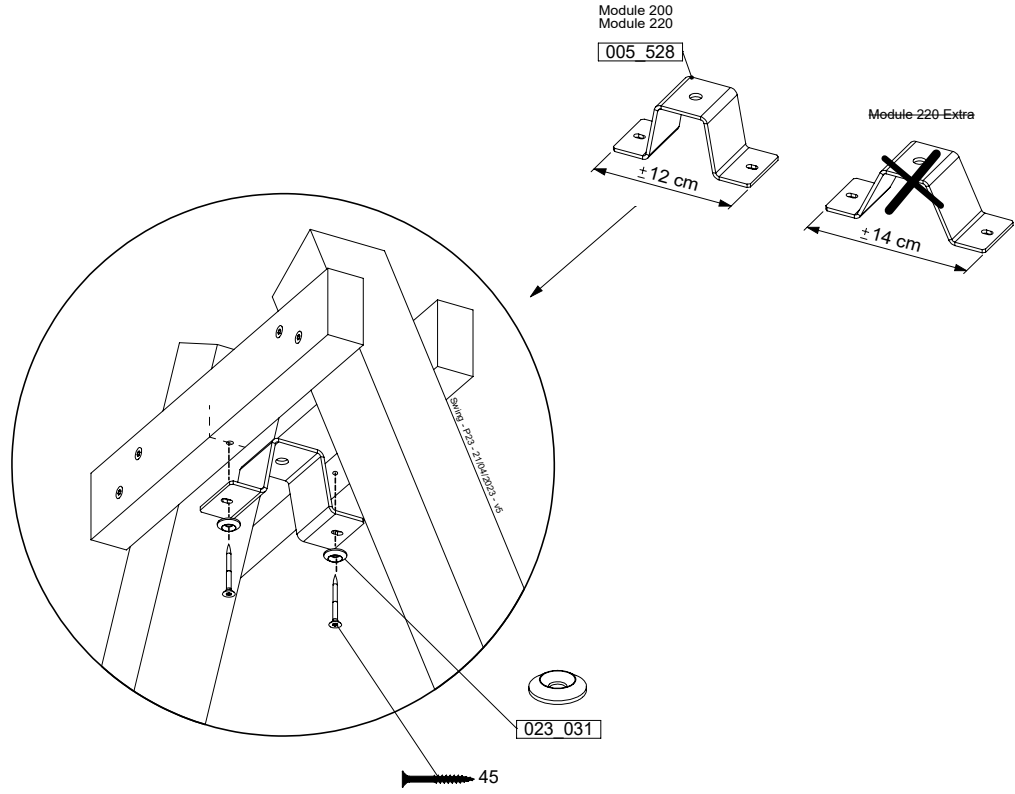


2-Swing Module 220

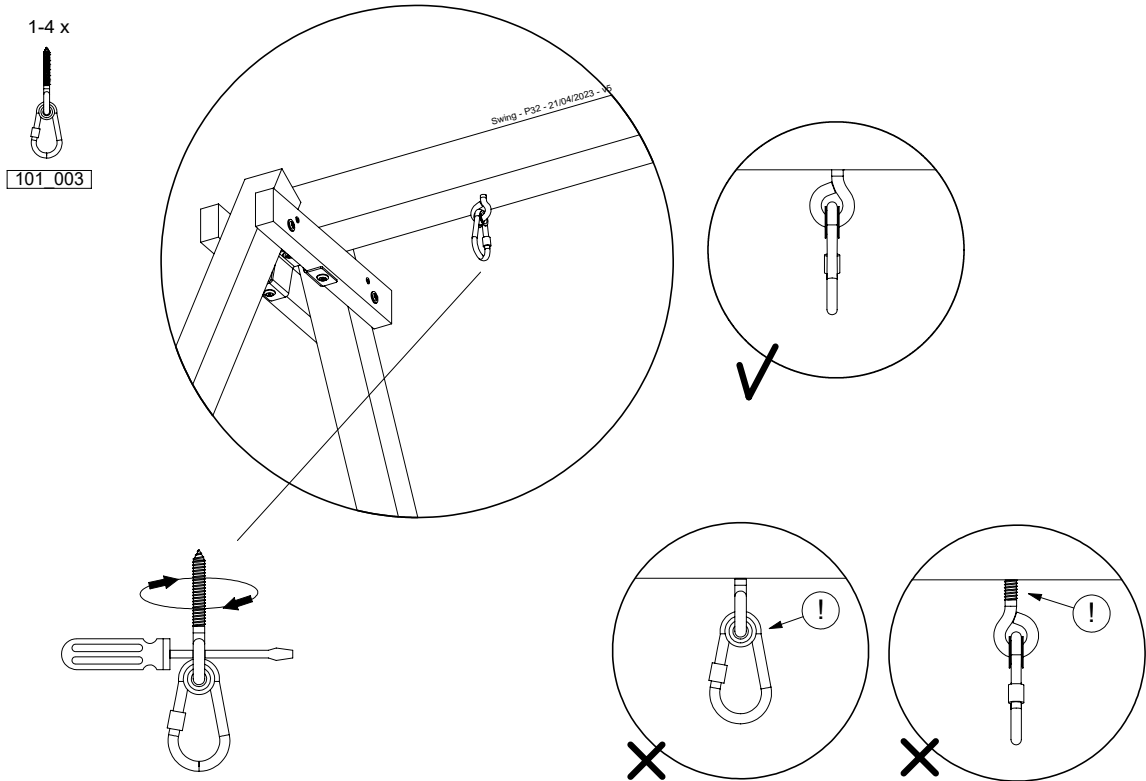
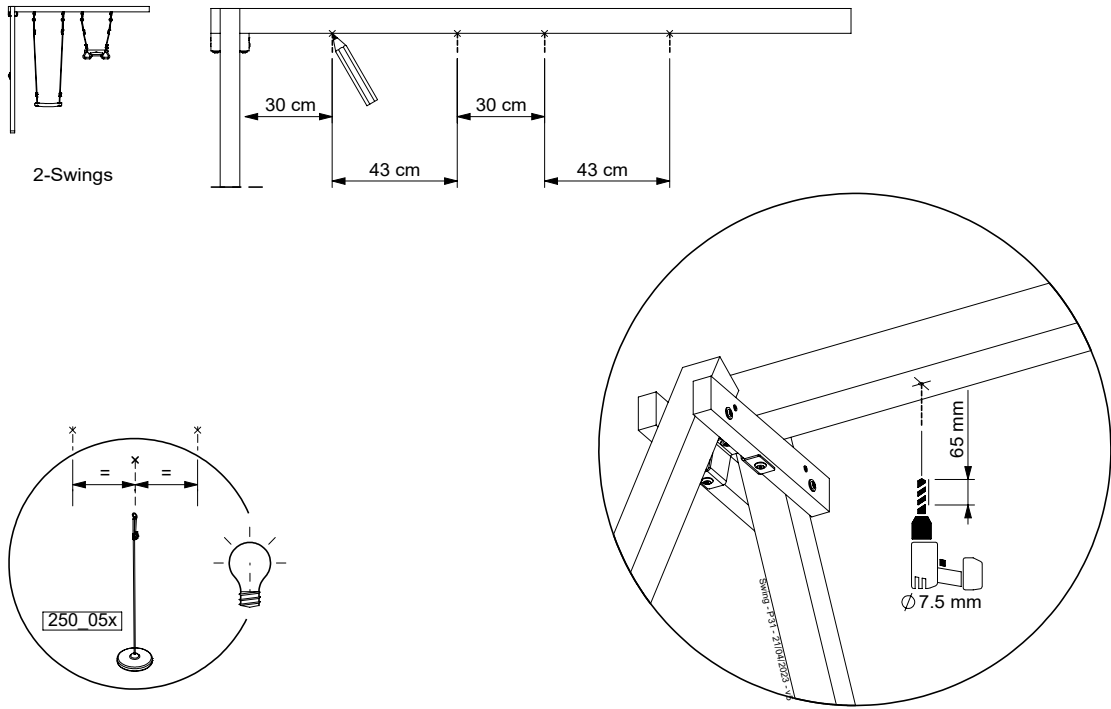
13.2



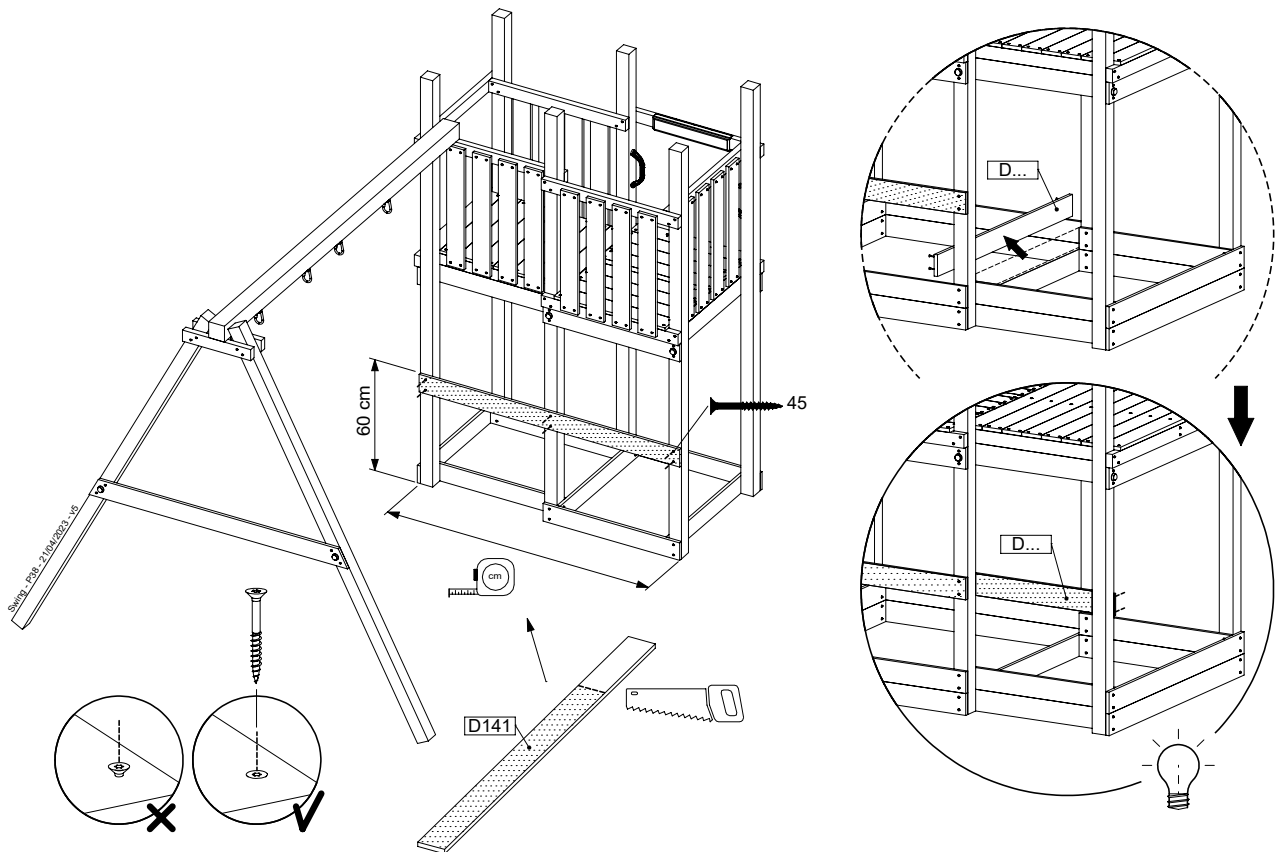
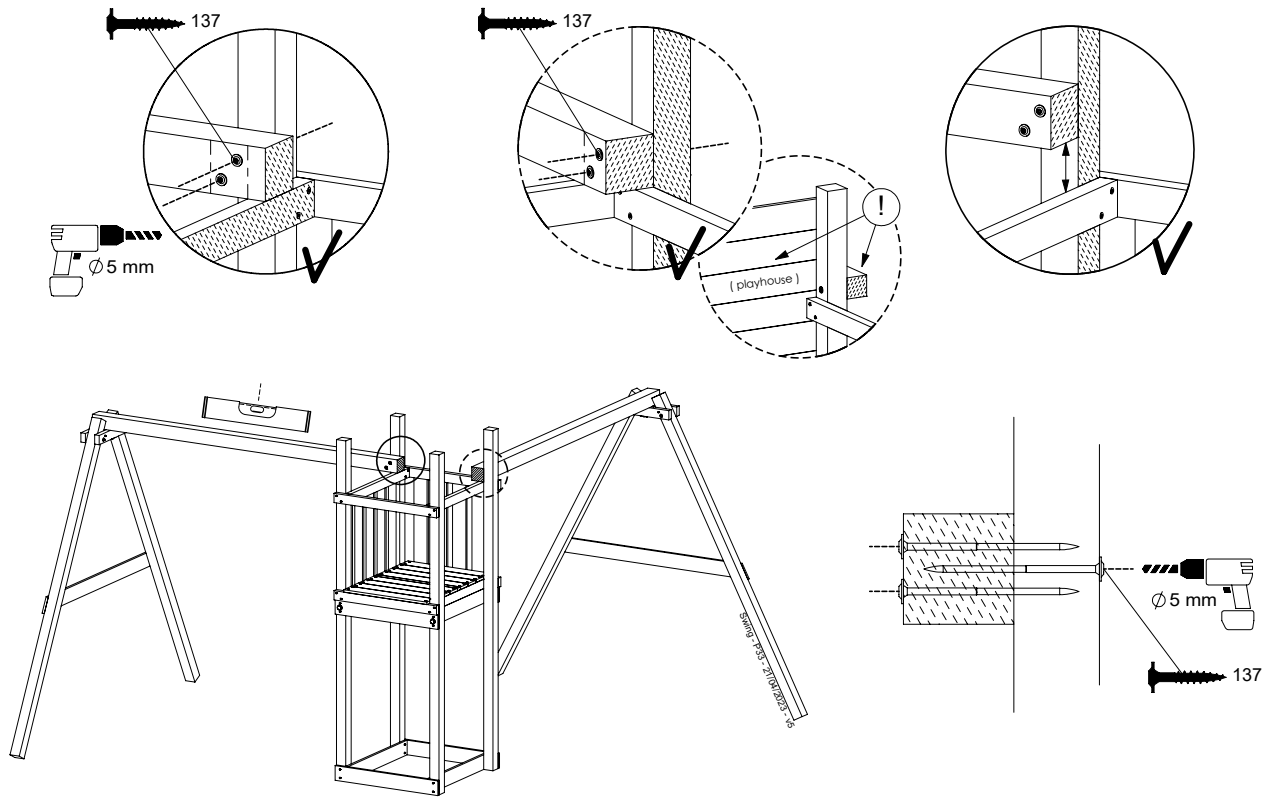
13.3



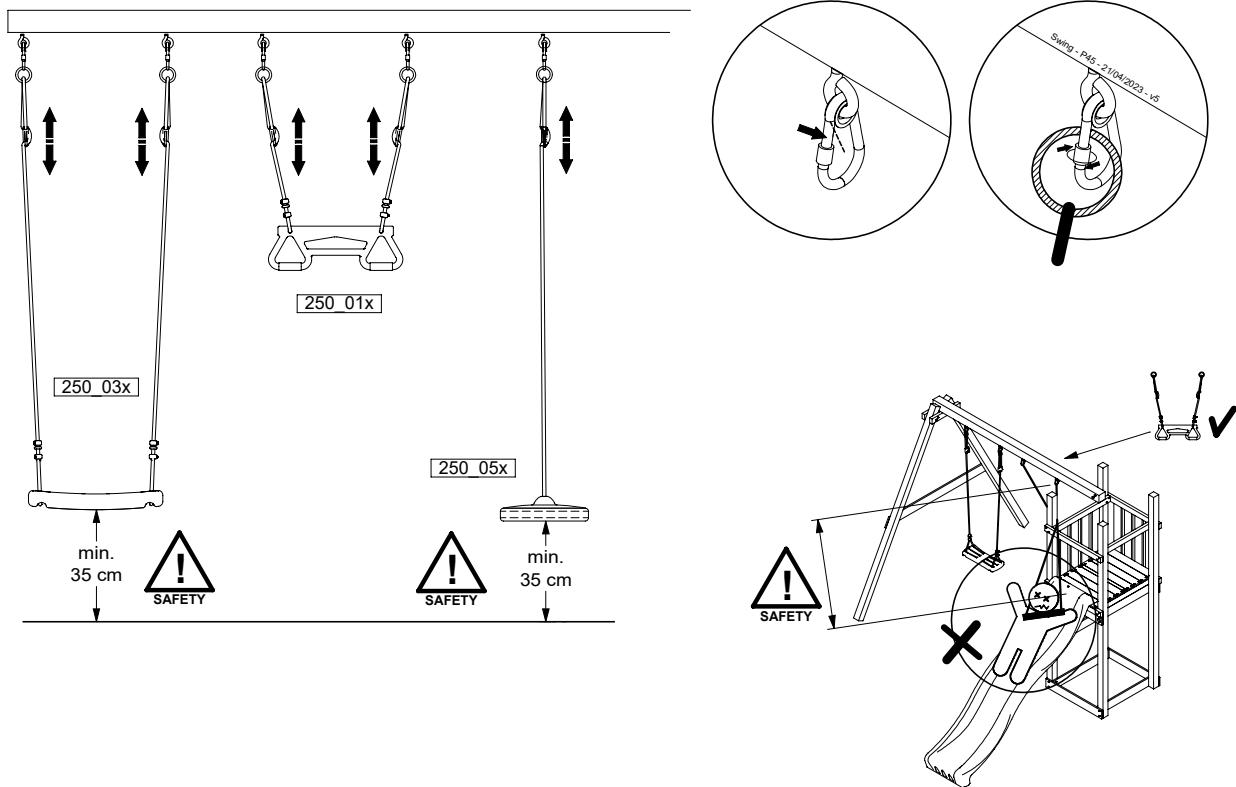
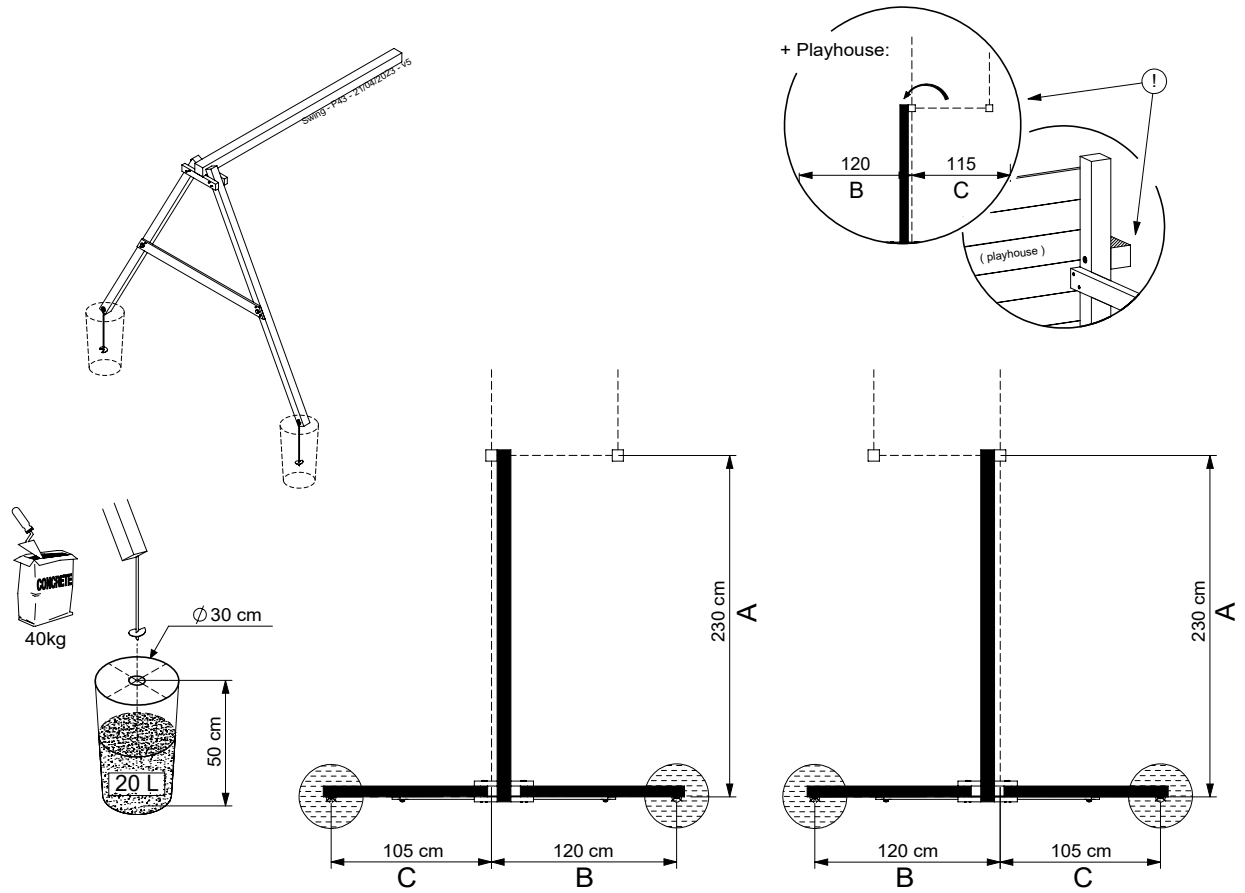
13.4



13.5



13.6

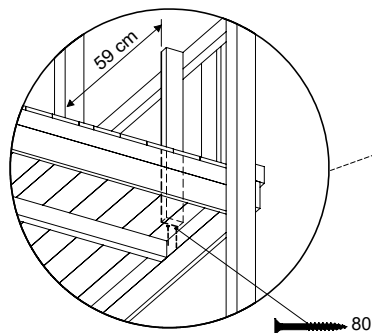
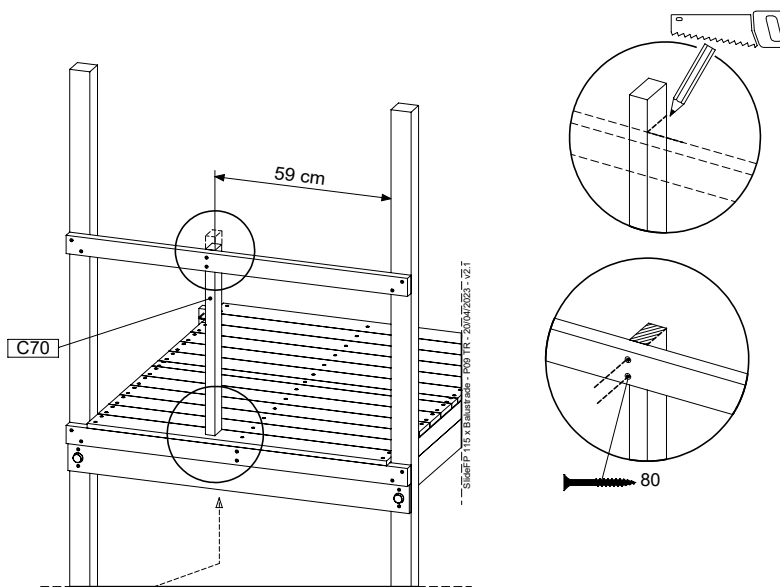
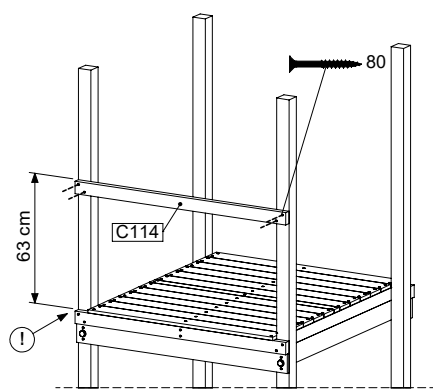
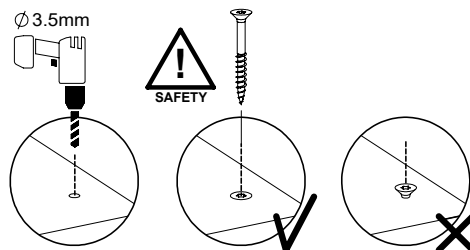
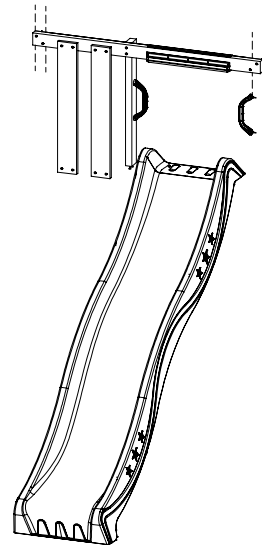


14 SL09: Slide 115 125 T Right

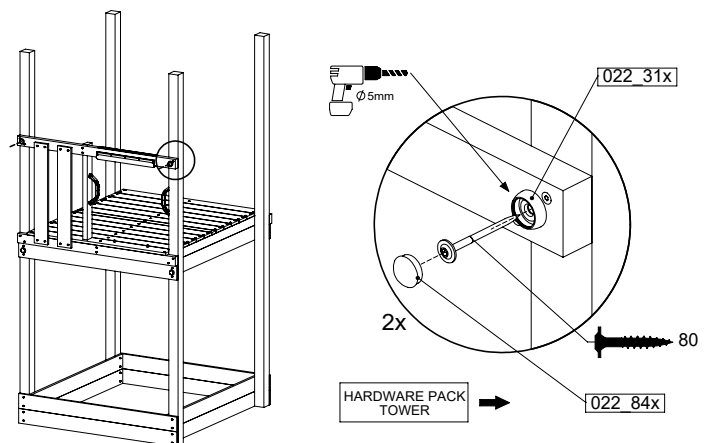
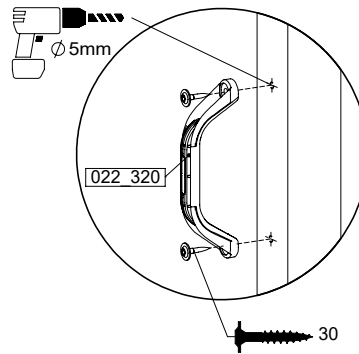
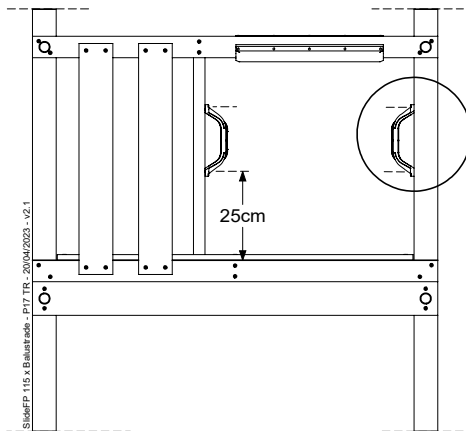
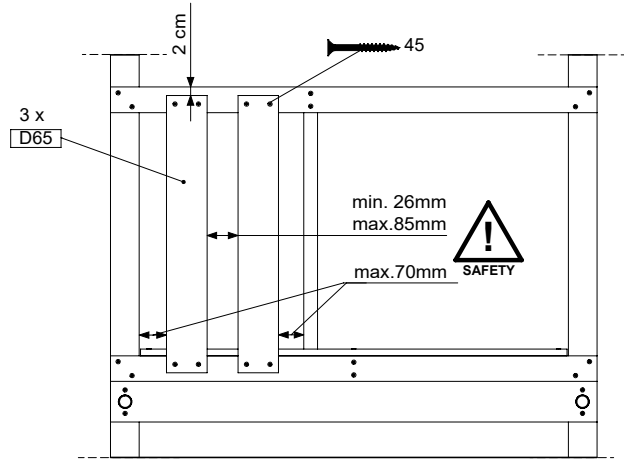
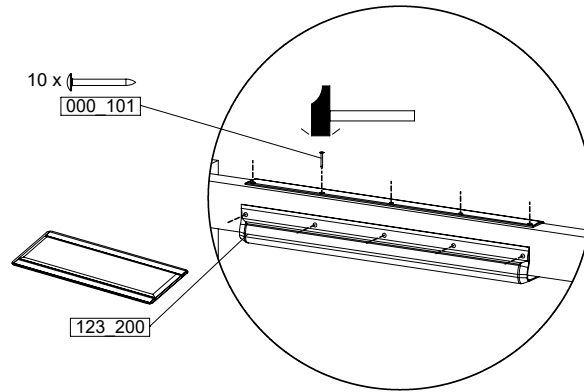
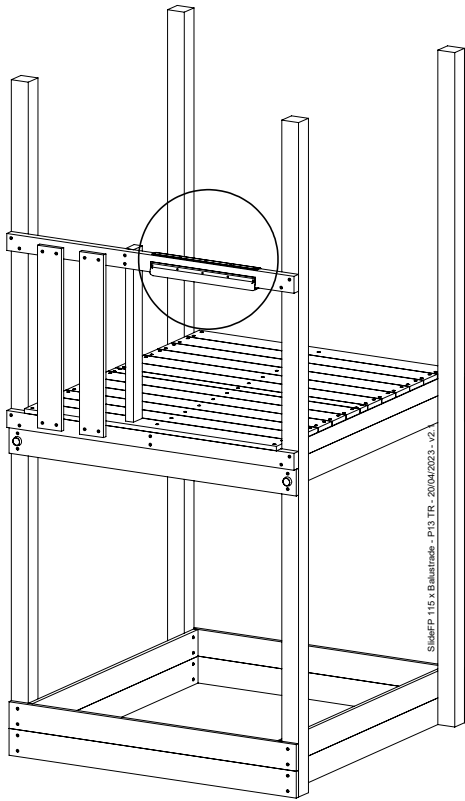
(194_107 + 194_101)

| | PartNo | PartName | QTY. |
|---------------|--------------------|---|------|
| Hardware Pack | 000_101 | Nail Pan Head | 10 |
| | 002_220 | Gap Point Screw T25 - 5x45 | 8 |
| | 002_223 | Gap Point Screw T25 - 5x80 | 8 |
| | 002_308 | Gap Point Screw T25 - 5x20 | 2 |
| Other | 120_102 | Handgrip set (complete 2x) | 1 |
| | 123_200 | Bumperpad | 1 |
| | 324_xxx 334_xxx | Wavy Star Slide XL 2200 mm / Wavy Star Slide XXL 2650 mm | 1 |
| Timber | C114 | Beam 1140 mm | 1 |
| | C70 | Beam 700 mm | 1 |
| | D65 | Board 650 mm | 2 |

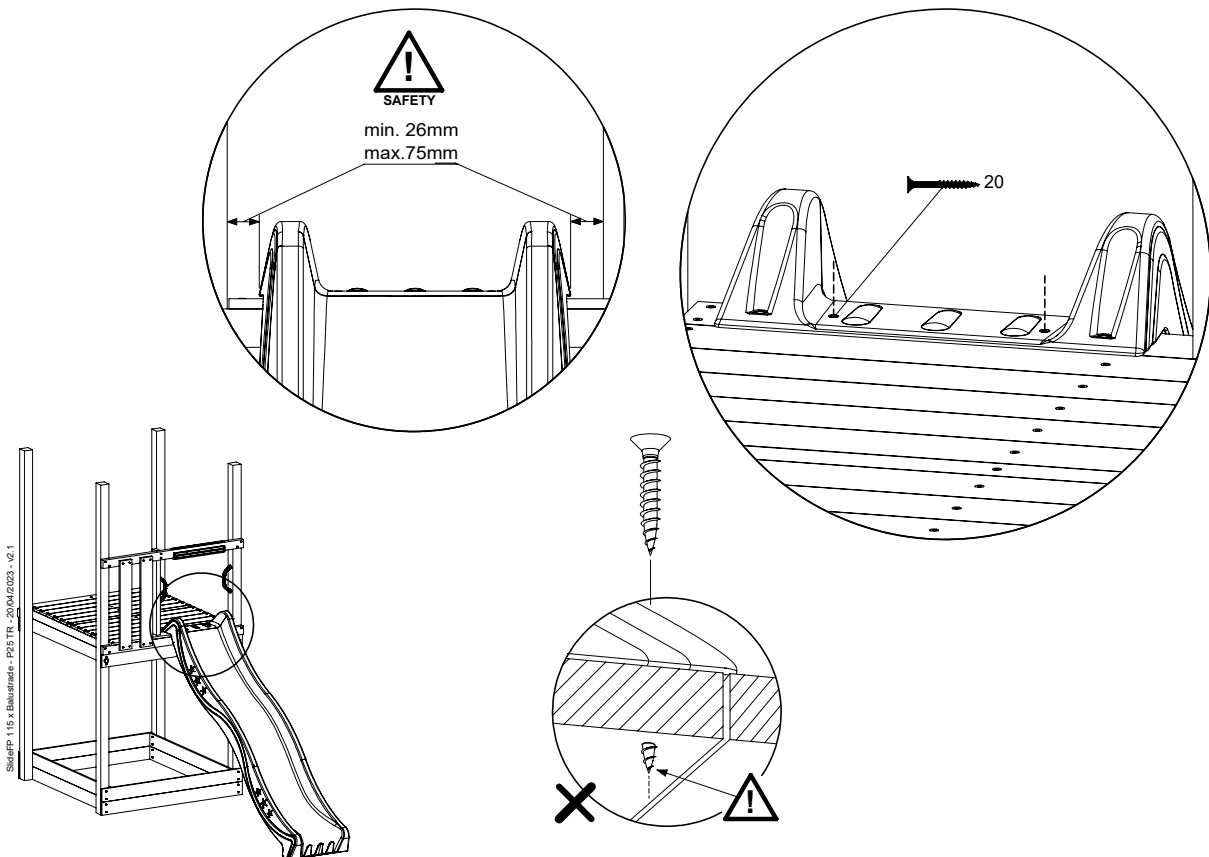
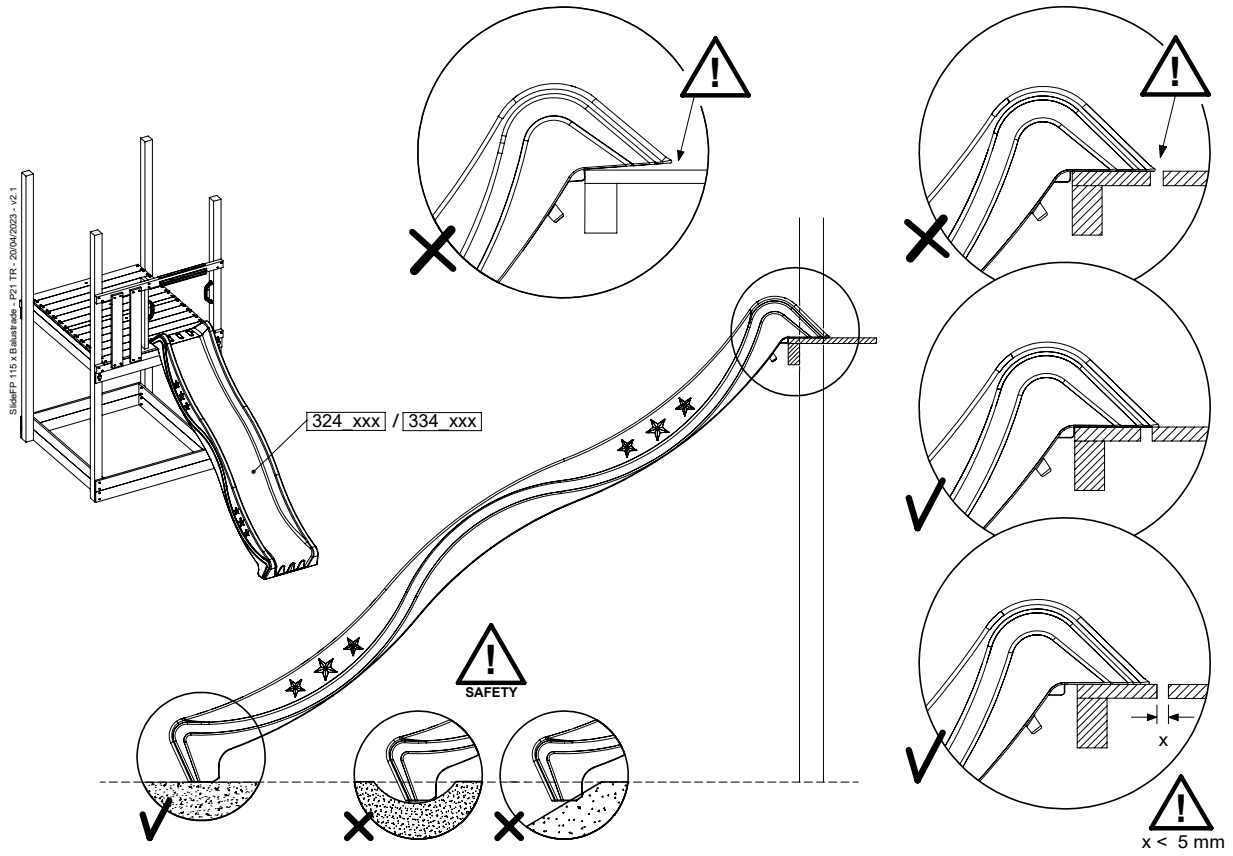
SlideFP 115 x Baumtrapez - P05 TR - 20/04/2023 - v2.1



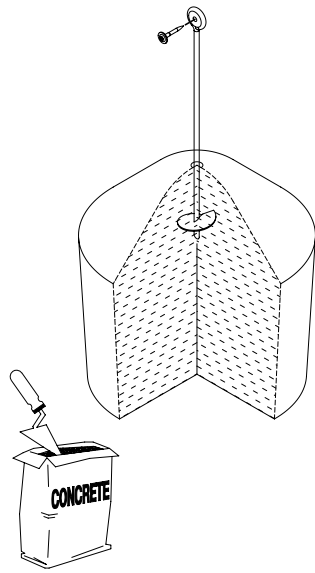
14.1



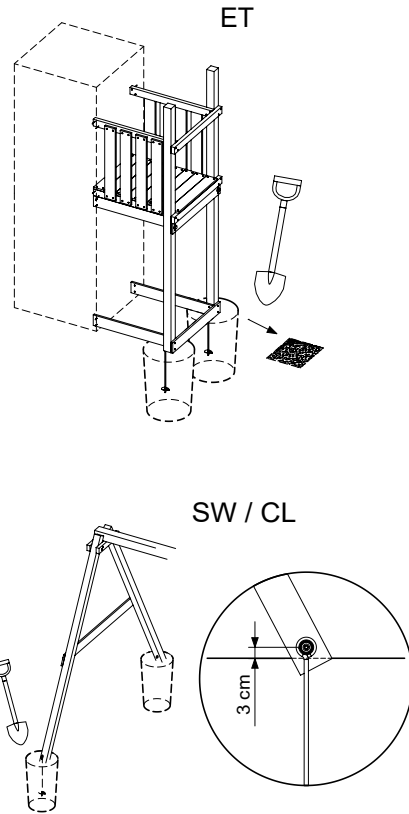
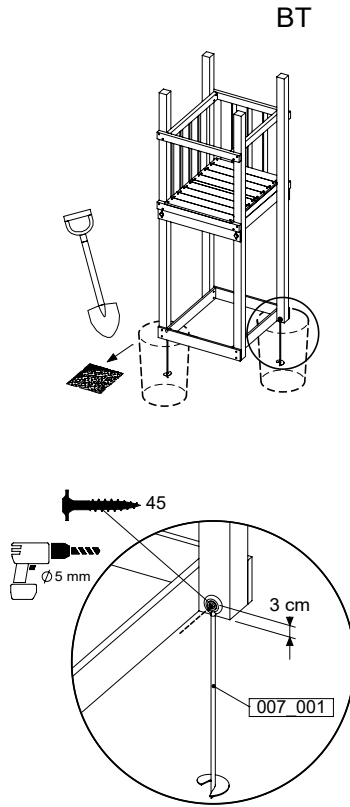
14.2



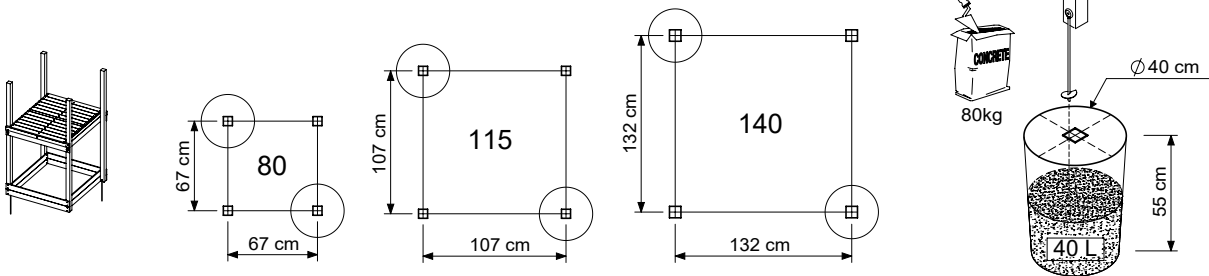
15 GA: Ground Anchors



Ground Anchors Uni. - P03 - 14/04/2023 - v1.1

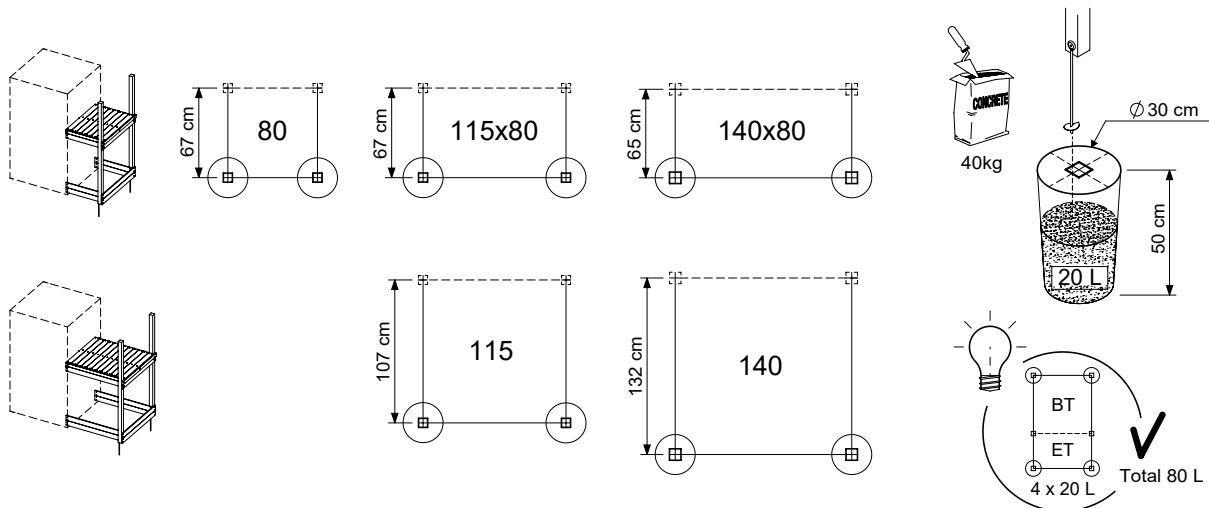


BASE TOWERS



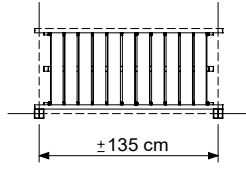
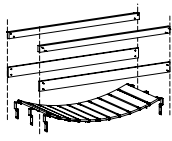
Ground Anchors Uni. - P01 - 14/04/2023 - v1.1

EXTENSION TOWERS

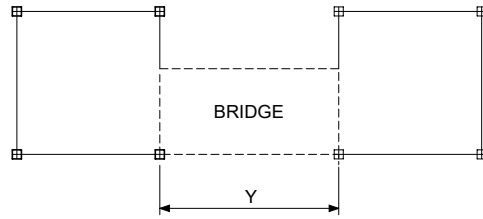
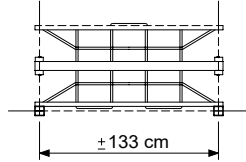
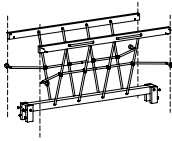


15.1

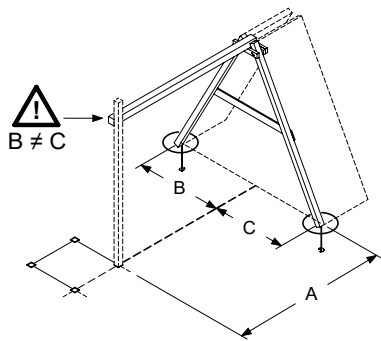
CLATTER BRIDGE



NET BRIDGE

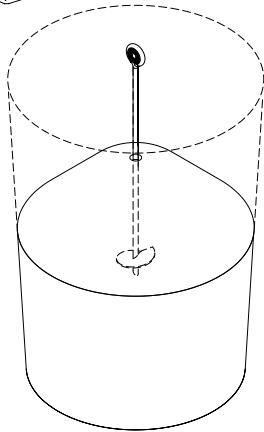
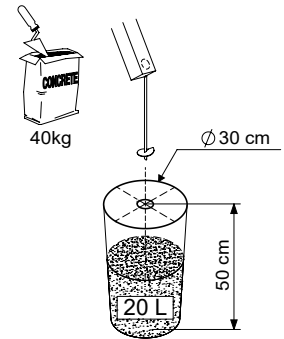


SWING / CLIMB MODULE

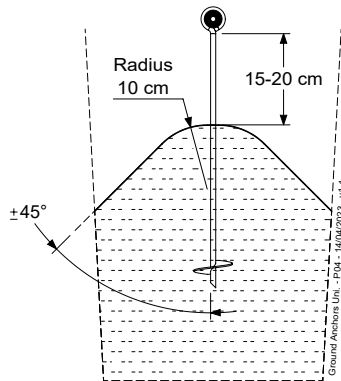


| Module type | A | B | C |
|-------------------------|-----|-----|-----|
| 1-Swing 200 | 150 | 115 | 100 |
| 1-Swing 220 / 220 Extra | | 120 | 105 |
| 2-Swing 200 | 210 | 115 | 100 |
| 2-Climb 200 | | | |
| 1-Climb 200 | 142 | 120 | 105 |
| 1-Climb 220 / 220 Extra | 162 | | |
| 2-Swing 220 / 220 Extra | 230 | 120 | 105 |
| 2-Climb 220 / 220 Extra | | | |

Ground Anchors Ltd. - POZ - 14/04/2023 - v1.1



1.

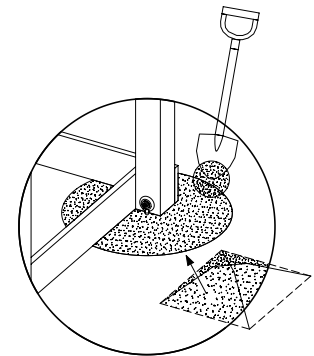


2.

24h



3.



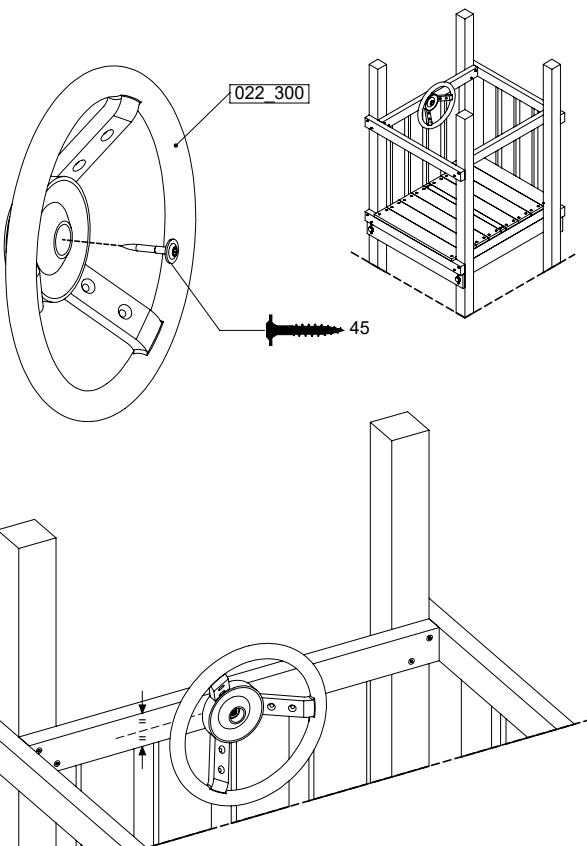
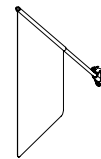
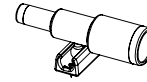
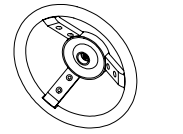
4.

16 AC01: Accessories

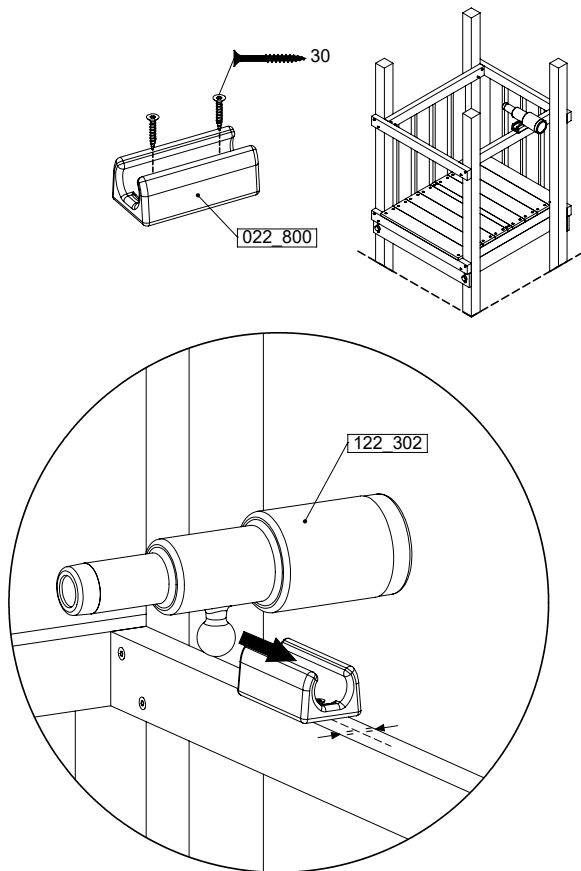
(194_119)

| | PartNo | PartName | QTY. |
|--------------------------|---------|-----------------------------|------|
| Hardware Pack 100_617 | 001_406 | Stealth Screw 8x45 | 1 |
| | 002_041 | Dome head screw 4.5 x 20 mm | 3 |
| | 002_042 | Dome head screw 3.5 x 13mm | 4 |
| | 002_219 | Gap Point Screw T25 - 5x30 | 2 |
| Other | 022_300 | Steering Wheel | 1 |
| | 022_800 | Rail P/T 105 | 1 |
| | 022_910 | Sandpad | 1 |
| | 103_901 | Logo ID Plate | 1 |
| | 104_107 | Tool Set Climbing Units | 1 |
| | 120_024 | Tower Flag | 1 |
| | 122_302 | Telescope | 1 |

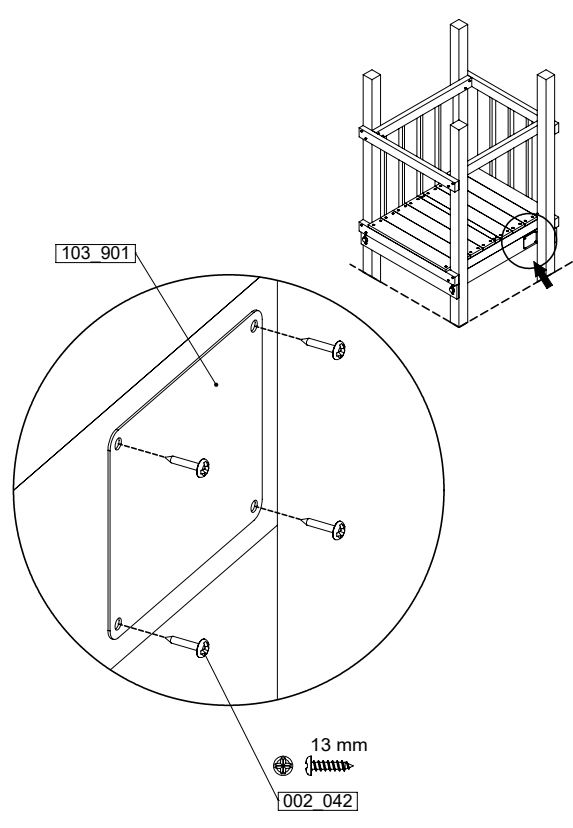
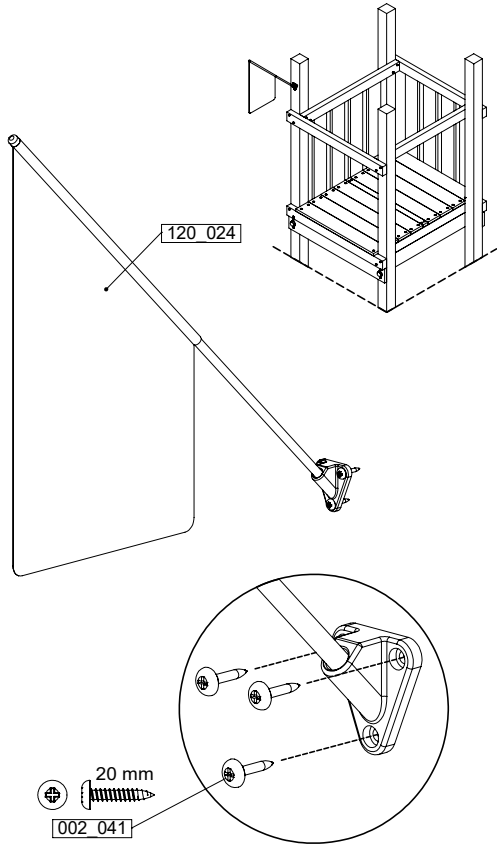
Accessory ref.: F02-230-2021 - v4



Accessory ref.: F03-230-2021 - v4



16.1



Accessories set - Pol - 2019-2021 - v4

17 Conformity: Declaration of Conformity

Declaration of Conformity



Manufacturer details

| | |
|--|----------------------|
| Company Name | Tag-line |
| Jungle Gym B.V. | Backyard Playgrounds |
| Address | |
| P.O. Box 75083, 1070 AB Amsterdam, Netherlands | |

Activity toys for domestic use

Product Range Identification

Construction Packages (Sub-Assembly)

Universal Packs / Base Towers / Extension Towers / Roofs / Means of Exit/Access / Add-ons : 790_001 ... 794_911

Assembly

| | | |
|---|------------------------------|-----------------------------------|
| Playtowers : 801_005 ... 200 | Links : 870_100 ... 105 | Accessories : 123_220 ... 250_075 |
| Playhouses : 830_150 ... 253, 835_251 ... 253 | Swings : 801_300, _600, _601 | Slides (XL) : 324_100 ... 600 |
| Modules : 850_180 ... 415 | | Slides (XXL) : 334_100 ... 600 |
| : 857_103, 857_108 | Playtowers : 802_202 ... 208 | |
| : 857_151, 857_158 | : 803_202 ... 210 | |
| | : 809_202 ... 804 | |

Applicable EC directives and standards

General

- General Product Safety Directive 2001/95/EG
- Reach directive 1907/2006
- AfPS GS 2019:01 PAK

Activity Toys

- Toy Safety Directive (2009/48/EG)
- EN 71 Safety of Toys
 - EN 71-1:2014 + A1:2018 Safety of toys Mechanical and physical properties
 - EN 71-2:2020 Flammability
 - EN 71-3:2019 + A1:2021 Migration of certain elements
 - EN 71-8:2018 Safety of toys Activity toys for domestic use

Supplementary information

Conformity to the above specified directives and standards has been frequently verified by TÜV Rheinland LGA products, DEKRA, LNE SA, since 1994. Jungle Gym participates in the European Commission for standardisation for the safety of activity toys (TC52 / WG 10).


Declaration

I hereby declare under our sole responsibility that the products mentioned above, to which this declaration relates, complies with the above mentioned directives and standards.






























Name
Mr. P. Schmit / Director

Issued date
Januari 2nd, 2023


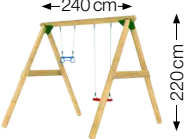
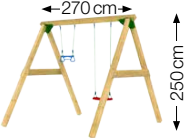

Signature of representative

Construction Packages (Assembly)







Playtowers

| | | | | | | |
|--|---|--|--|--|--|---|
| <p>S Single</p>  <p>Jungle Tower 801_200</p> | <p>S Single</p>  <p>Jungle Patio 802_202</p> | <p>S Single</p>  <p>Jungle Cocoon 802_204</p> | <p>S Single</p>  <p>Jungle Cirque 802_206</p> | <p>S Single</p>  <p>Jungle Totem 802_208</p> | <p>S Duo</p>  <p>Jungle Nomad 803_202</p> | <p>S Duo</p>  <p>Jungle Safari 803_204</p> |
| <p>S Duo</p>  <p>Jungle Viking 803_206</p> | <p>S Duo</p>  <p>Jungle Teepee 803_208</p> | <p>S Duo</p>  <p>Jungle Resort 803_210</p> | <p>S Combo</p>  <p>Jungle Explorer 809_802</p> | <p>S Combo</p>  <p>Jungle Voyager 809_804</p> | <p>M Single</p>  <p>Jungle Castle 801_120</p> | |
| <p>M Single</p>  <p>Jungle Club 801_110</p> | <p>M Single</p>  <p>Jungle Casa 801_105</p> | <p>M Single</p>  <p>Jungle Home 801_103</p> | <p>M Single</p>  <p>Jungle Hut 801_100</p> | <p>M Single</p>  <p>Jungle House 801_095</p> | <p>L Single</p>  <p>Jungle Cottage 801_090</p> | <p>L Single</p>  <p>Jungle Cabin 801_060</p> |
| <p>L Single</p>  <p>Jungle Lodge 801_040</p> | <p>L Duo</p>  <p>Jungle Cubby 801_070</p> | <p>L Duo</p>  <p>Jungle Mansion 801_009</p> | <p>XL Single</p>  <p>Jungle Sierra 801_025</p> | <p>XL Single</p>  <p>Jungle Fort 801_010</p> | <p>XL Single</p>  <p>Jungle Chalet 801_013</p> | <p>XL Duo</p>  <p>Jungle Palace 801_005</p> |







Swings

| |
|--|
|  <p>Jungle Peak 801_300</p> |
| <p>←240 cm→</p>  <p>Jungle Swing 801_601</p> |
| <p>←270 cm→</p>  <p>Jungle Swing 801_602</p> |

Swing Module

| | |
|--|--|
|  <p>1-Swing Module 200 857_101</p> |  <p>2-Swing Module 200 857_102</p> |
|  <p>1-Swing Module 220 857_151</p> |  <p>2-Swing Module 220 857_154</p> |
|  <p>1-Swing Module 220 Extra 850_176</p> |  <p>2-Swing Module 220 Extra 850_177</p> |

Climb Module

| | |
|--|---|
|  <p>1-Climb Module 200 857_105</p> |  <p>2-Climb Module 200 857_106</p> |
|  <p>1-Climb Module 220 857_157</p> |  <p>2-Climb Module 220 857_158</p> |
|  <p>1-Climb Module 220 Extra 850_231</p> |  <p>2-Climb Module 220 Extra 850_232</p> |

Bridge Module

| |
|---|
|  <p>Bridge Module 850_240</p> |
|---|

Construction Packages (Sub-Assembly)

Base Towers (BT)



Small BT
790_001
790_002
790_003



Medium BT
792_002
792_003



Large BT
794_001

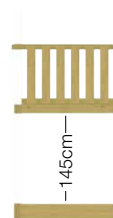
Extension Towers (ET)



Small ET
790_101
790_102



Medium ET
792_101
792_102
792_103
792_104
792_105
792_106

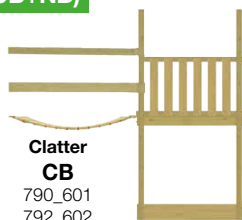


Large ET
792_107 792_113 794_107
792_108 792_114 794_108
792_109 794_102 794_109
792_110 794_103
792_111 794_104
792_112 794_105

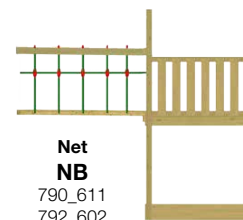


Small ET
794_110

Modules Bridges (CB+NB)



Clatter CB
790_601
792_602
794_602



Net NB
790_611
792_602
794_602

Modules Swings (SM)



1-Swing Module 200 SM
857_101



2-Swing Module 200 SM
857_102



1-Swing Module 220 SM
857_151



2-Swing Module 220 SM
857_152



1-Swing Module 220 Extra SM
850_176



2-Swing Module 220 Extra SM
850_177

Modules Climbs (CM)



1-Climb Module 200 CM
857_105



2-Climb Module 200 CM
857_106



1-Climb Module 220 CM
857_157



2-Climb Module 220 CM
857_158



1-Climb Module 220 Extra CM
850_231



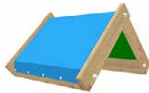
2-Climb Module 220 Extra CM
850_232

Construction Packages (Sub-Assembly)

Roofs (RF)



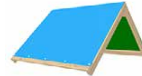
**Tipi
RF**
790_203



**Gable
RF**
790_202



**Pyramid
RF**
790_205



**Angle 90°
RF**
792_201



**Angle 120°
RF**
792_206 (=115)
794_204 (=140)



**Tipi
RF**
790_204



**Clapboard
RF**
790_201



**Lookout
RF**
790_206



**Angle 90°
RF**
792_202 (=115)
794_202 (=140)



**Angle 120°
RF**
792_203 (=115)
794_203 (=140)

Balustrade (BA/PH)



**Balustrade panel
BA**
790_301
792_301
794_301
794_302



**Hide panel
PH**
790_311
792_311
794_311



**Wall panel
PH**
790_313
792_313
794_313



**Roof panel
PH**
792_314
794_314

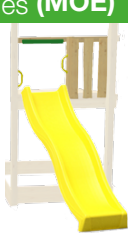


**Window panel
PH**
792_202 (L)
794_202 (L)
792_203 (R)
794_203 (R)

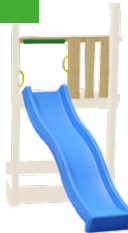


**Door panel
PH**
792_204 (L)
794_204 (L)
792_205 (R)
794_205 (R)

Slides (MOE)



**Slide Yellow
SL**
324_100
334_100
790_901
792_901
794_901



**Slide Blue
SL**
324_200
334_200
790_901
792_901
794_901



**Slide Green
SL**
324_300
334_300
790_901
792_901
794_901



**Slide Red
SL**
324_400
334_400
790_901
792_901
794_901



**Slide Fuchsia
SL**
324_500
334_500
790_901
792_901
794_901

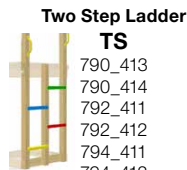


**Slide Dark Green
SL**
324_600
334_600
790_901
792_901
794_901

Means of access (MOA)



**Ladder
LA**
790_433
790_434
792_431
792_432
794_431
794_432



**Two Step Ladder
TS**
790_413
790_414
792_411
792_412
794_411
794_412
794_413
794_414



**Rope ladder
RL**
790_421
792_421
792_422
794_421



**Rock wall
RW**
790_403
790_404
792_401
792_402
794_401
794_402

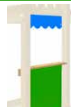


**Hamp
RA**
790_441
792_441
794_441



**FMP Exit
FP**
790_903
792_911
794_911

Add-ons (ADD)



**Market
MT**
790_502
792_502
794_502



**Boat front
BO**
790_501



**Picnic
PC**
790_503



**Picnic
PC**
792_503
794_503

Universal Pack (AC)

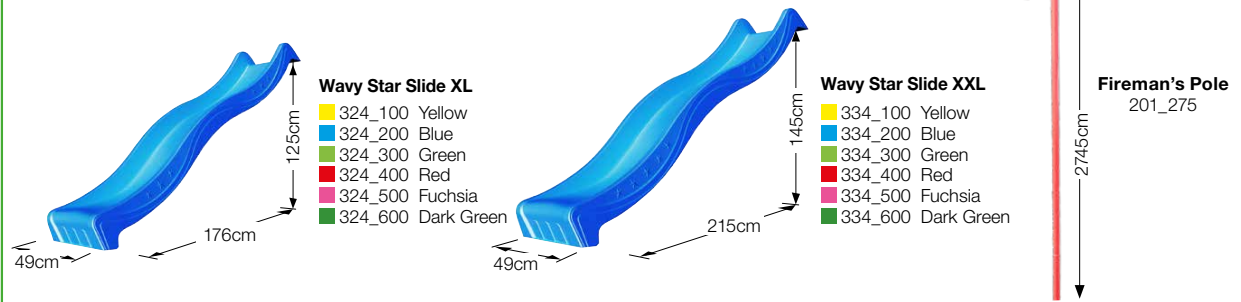


Accessory set
194_119

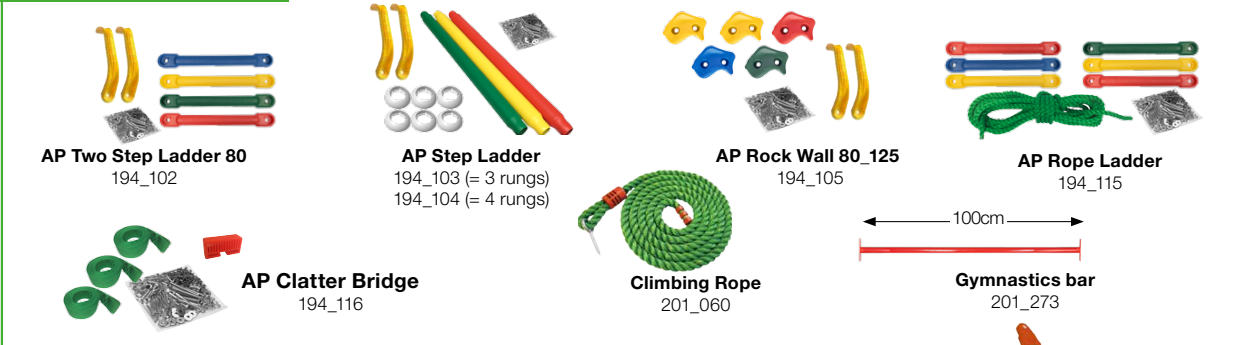


Accessories

Slides



Climbing



Imagination



Swinging



Functional



Components

