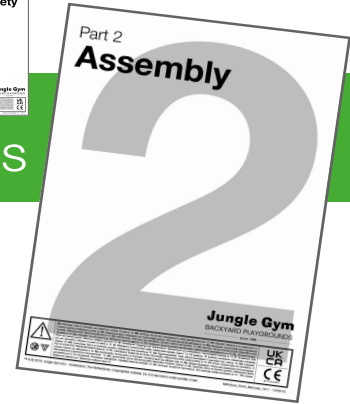


# Part 2

# Assembly

# Instructions



Config ID: LSgzD9

Date: 2023-05-24



Manual Part 1

### Important

This assembly manual should always be read in conjunction with the General Safety manual part 1 as included in the hardware package of your playground equipment. Please read these safety instructions carefully before starting the assembly work.

# Jungle Gym

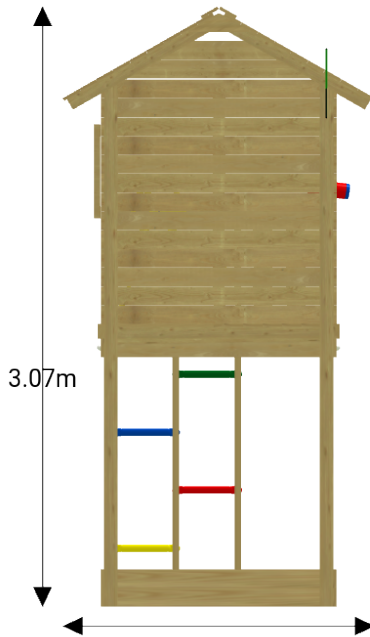
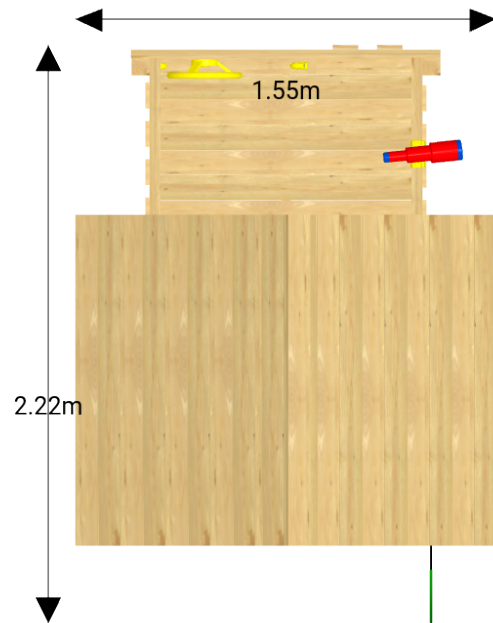
## BACKYARD PLAYGROUNDS

since 1988

**EN.** Warnings. Only for domestic use. Maximum number of users is **3**. **DE.** Achtung. Nur für den Hausgebrauch. Maximale Benutzerzahl: **3**. **FR.** Attention. Réserve à un usage privé. Le nombre maximal d'utilisateurs est de **3**. **NL.** Waarschuwingen. Uitsluitend voor huishoudelijk gebruik. Het maximale aantal gebruikers is **3**. **BG.** Внимание. За употреба само в домашни условия. Максималният брой потребители е **3**. **ES.** Advertencias. Sólo para uso doméstico. Número máximo de usuarios: **3**. **CS.** Varování. Jen pro domácí použití. Maximální počet uživatelů je **3**. **DA.** Advarsler. Kun til privat brug. Maksimum antal brugere er **3**. **ET.** Hoiatused. Ainult koduseks kasutamiseks. Maksimaalne kasutajate arv on **3**. **EL.** Προειδοποιήσεις. Μόνο για οικιακή χρήση. Μέγιστος αριθμός χρηστών **3**. **IS.** Varnaðarorð. Eingöngu fyrir einkanotkun í heimahúsum og á einkaloðum. Hámarksfjöldi notenda er **3**. **IT.** Avvertenze. Solo per uso domestico. Massimo numero di utenti è **3**. **LV.** Brīdinājumi. Izmantot tikai mājās. Maksimālais lietotāju skaits ir **3**. **LT.** Įspėjimai. Tik buitiniam naudojimui. Maksimalus naudotojų skaičius HR. Upozorenja. Samo za kućansku uporabu. Maksimalan broj korisnika je **3**. **HU.** Figyelmeztetések. Csak otthoni használatra! A használok max. száma: **3**. **NO.** Advarsler. Kun for privat bruk. Maksimalt antall brukere er **3**. **PL.** Ostrzeżenia. Wyłącznie do użytku domowego. Maksymalna liczba użytkowników to **3**. **PT.** Avisos. Apenas para uso doméstico. O número máximo de utilizadores é **3**. **RO.** Avertismente. Numai pentru uz domestic. Numărul maxim de utilizatori este **3**. **RU.** Предостережения. Только для домашнего использования. Максимальное количество пользователей - **3**. **SK.** Upozornenia. Iba na domáce použitie. Maximálne množstvo osôb je **3**. **SL.** Opozorila. Samo za domačo uporabo. Maksimalno število uporabnikov je **3**. **FI.** Varoitukset. Ainoastaan kotikäyttöön. Käyttäjää yhteensä enintään **3**. **SR.** Upozorenja. Samo za kućnu upotrebu. Maksimalan broj korisnika je **3**. **SV.** Varningar. Endast för hemmabruk. Det maximala antalet användare är **3**. **TR.** Uyarılar. Sadece ev kullanımı için. Maksimum kullanıcı sayısı **8**.



# 1 Views

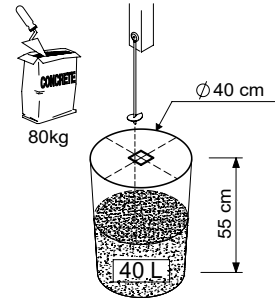
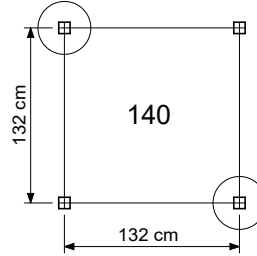
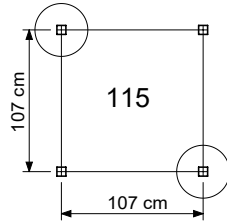
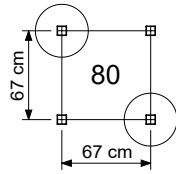
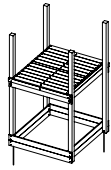


## 2 Order list

Nr.	SKU	Description	ID	Amount
1	792_003	Base Tower 115_ 270270	BT15	1
2	792_102	Extension Tower 11580_220	ET07	1
3	792_203	Roof Casa 115	RF09	1
4	790_301	Balustrade 80	BL01	2
5	792_311	Playhouse Wall Panel 115	PH10	1
6	792_311	Playhouse Wall Panel 115	PH11	1
7	792_313	Playhouse Window Panel 115	PH19	1
8	792_314	Playhouse Roof Panels 115	PH31	1
9	792_412	Two Step Ladder 115_145	TS12	1
10	194_119	AP Accessory set	AC01	1

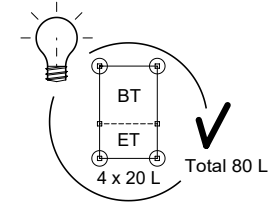
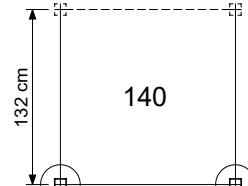
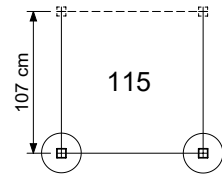
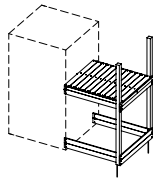
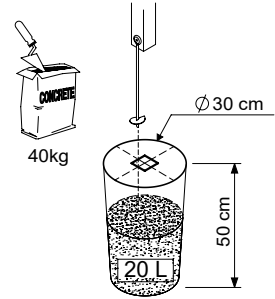
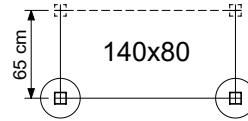
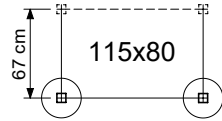
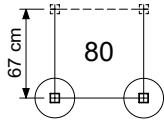
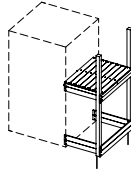
# 3 Anchor Plan

BASE TOWERS

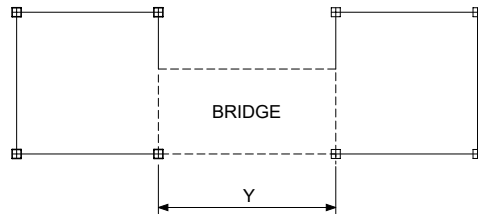
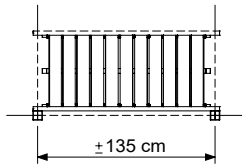
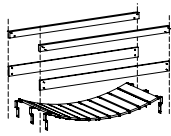


Ground Anchors Unit - P01 - 14/04/2023 - v1.1

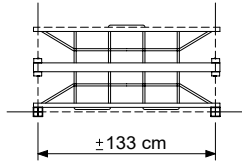
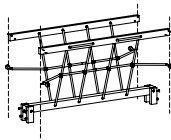
EXTENSION TOWERS



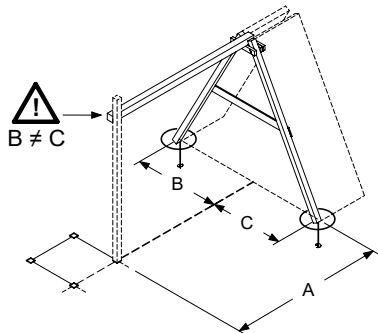
CLATTER BRIDGE



NET BRIDGE

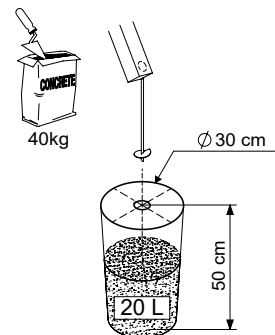


SWING / CLIMB MODULE



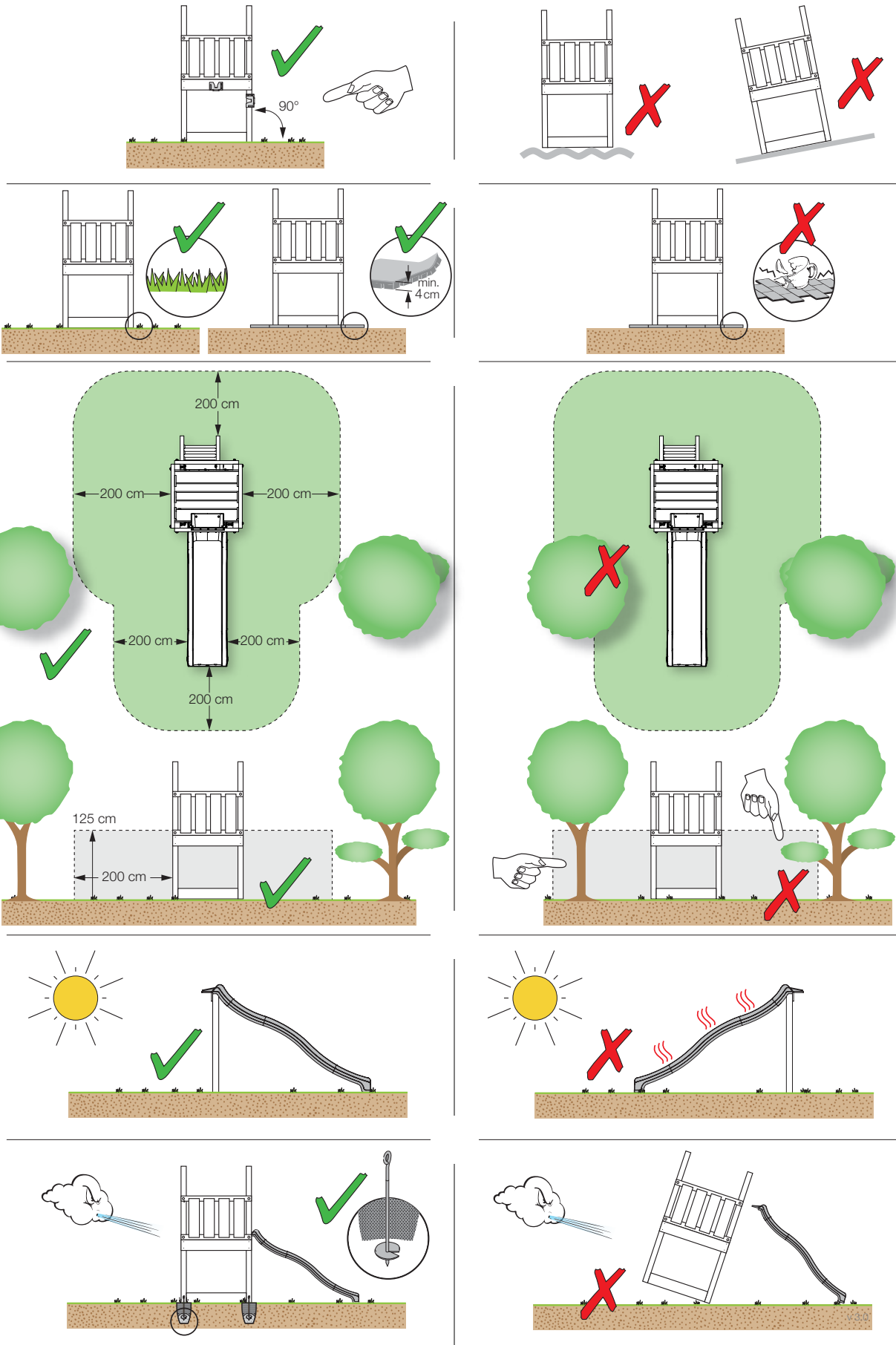
Module type	A	B	C
1-Swing 200	150	115	100
1-Swing 220 / 220 Extra		120	105
2-Swing 200	210	115	100
2-Climb 200			
1-Climb 200	142	120	105
1-Climb 220 / 220 Extra	162		
2-Swing 220 / 220 Extra	230	120	105
2-Climb 220 / 220 Extra			

Ground Anchors Unit - P02 - 14/04/2023 - v1.1

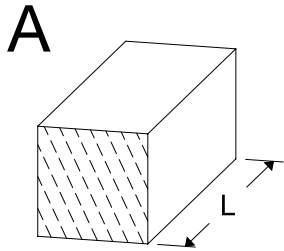




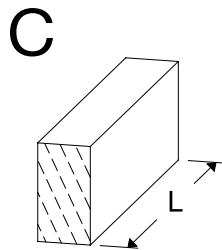
### 3.1 Safe Playground



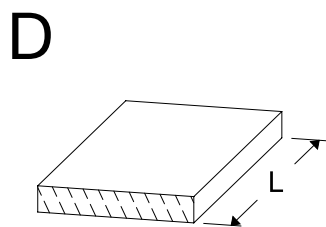
## 4 Timber parts



ID	L	#
A220	219 cm - 220 cm	2
A270	269 cm - 270 cm	4


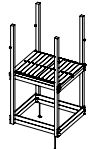
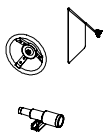
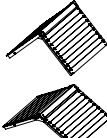

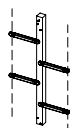

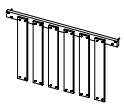


C74	73 cm - 74 cm	5
C84	83 cm - 84 cm	5
C96	85 cm - 96 cm	2
C114	113 cm - 114 cm	7
C123	122 cm - 123 cm	2
C141	140 cm - 141 cm	1
C206	205 cm - 206 cm	1


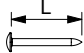
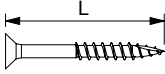
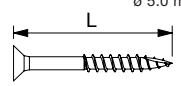







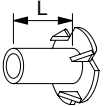
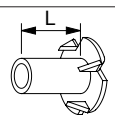




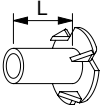













D21	20 cm - 21 cm	4
D47	46 cm - 47 cm	4
D65	64 cm - 65 cm	12
D74	73 cm - 74 cm	6
D100	99 cm - 100 cm	25
D114	113 cm - 114 cm	55
D127	126 cm - 127 cm	23

## 5 Assembly packs & accessories

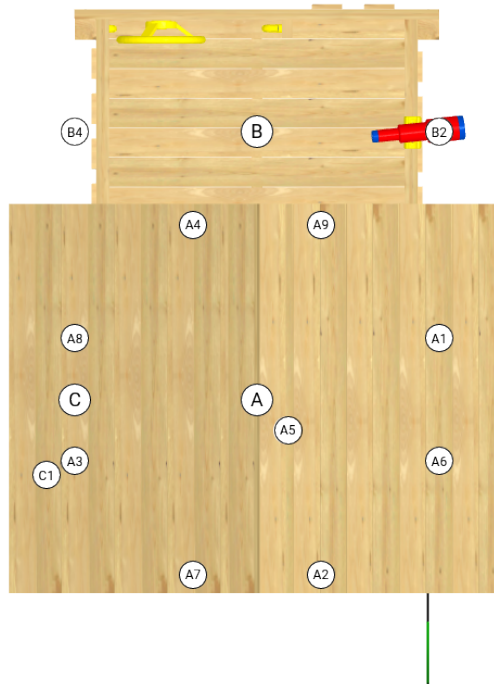
<p>Hardware 09</p>  <p><b>H09</b></p> <p>194_809</p> <p><b>2x</b></p>	<p>Tower 115</p>  <p><b>BT ET</b></p> <p>194_300</p> <p><b>2x</b></p>	<p>Accessory Set</p>  <p><b>AC</b></p> <p>194_119</p> <p><b>1x</b></p>	<p>Roof Timber 115</p>  <p><b>RF</b></p> <p>194_308</p> <p><b>1x</b></p>	<p>Balustrade 80</p>  <p><b>BL</b></p> <p>194_101</p> <p><b>3x</b></p>
<p>Two Step Ladder</p>  <p><b>TS</b></p> <p>194_002</p> <p><b>1x</b></p>	<p>Playhouse Panel</p>  <p><b>PH</b></p> <p>194_118</p> <p><b>1x</b></p>	<p>Balustrade 140</p>  <p><b>BL</b></p> <p>194_501</p> <p><b>1x</b></p>		

## 6 Hardware Identification

		L				L		
		ø 2.0 mm	000_101	20 mm		ø 5.0 mm	002_308	20 mm
		M8	001_102	30 mm		M8	002_219	30 mm
		ø 8.0 mm	001_404	30 mm		M6	002_220	45 mm
			001_406	45 mm			002_223	80 mm
			001_411	60 mm				
			001_417	80 mm				
			001_422	137 mm				
		ø 6.3 mm	002_036	16 mm		M8	003_010	
		ø 4.5 mm	002_041	20 mm		M6	003_034	
		ø 3.5 mm	002_042	13 mm		M8	004_050	22mm
		ø 3.9 mm	002_301	40 mm			022_845	Yellow
							022_846	Blue
							022_847	Green
							022_848	Red
			022_844				023_031	White
							120_005	White
								

output: 20/11/20

## 7 Assembly Planning



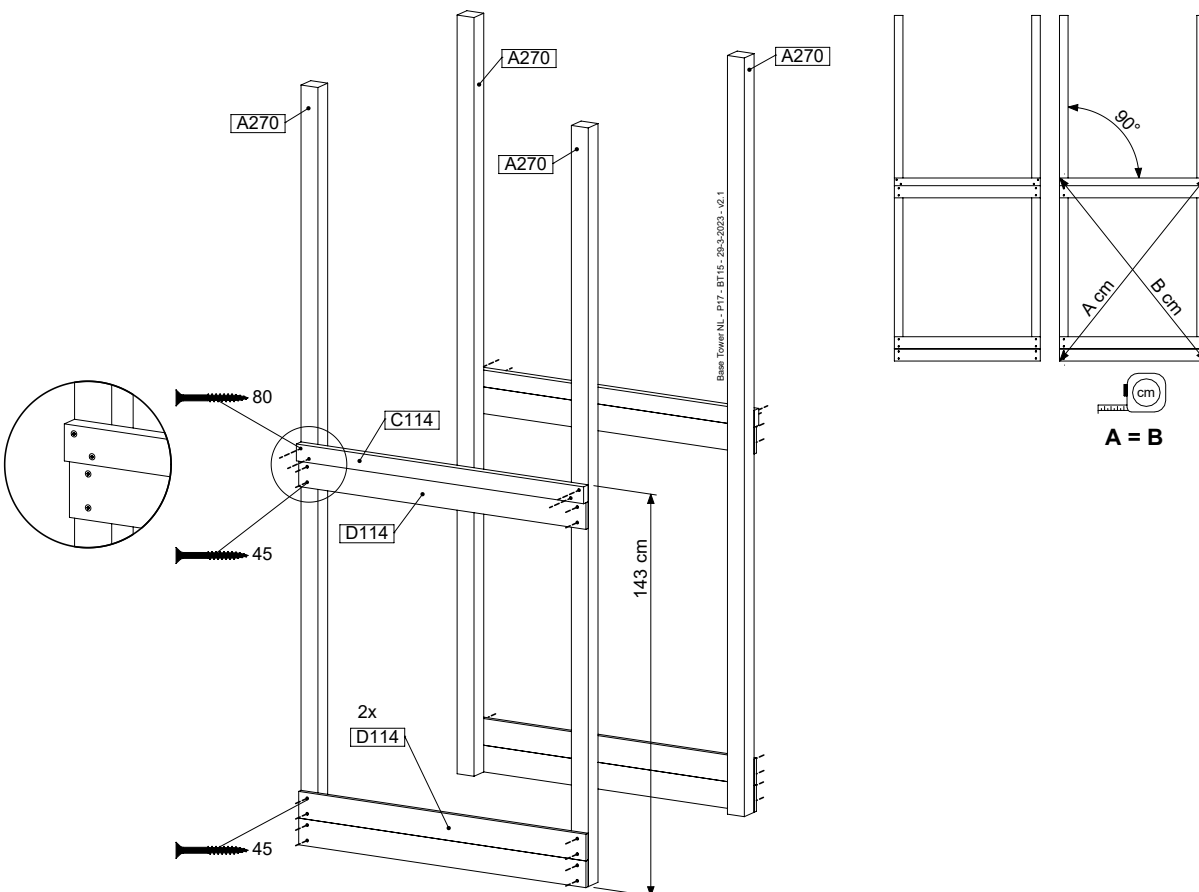
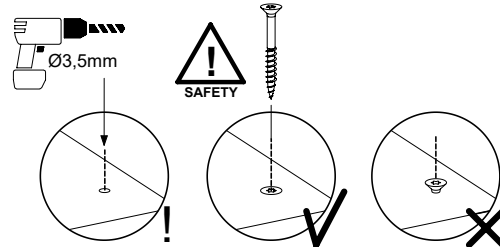
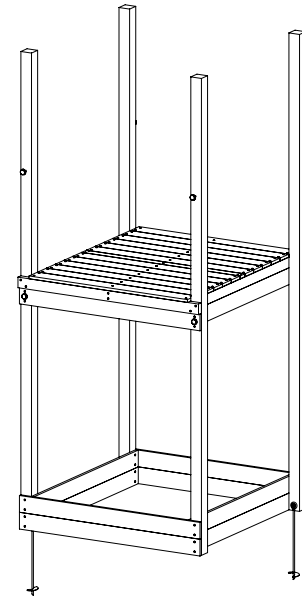
	ID			A	B	C
1	BT15		p.9	✓	-	-
2	ET07		p.12	-	✓	-
3	BL01		p.15	-	B2, B4	-
4	RF09		p.16	A5	-	-
5	PH10		p.19	A2	-	-
6	PH11		p.20	A1	-	-
7	PH19		p.21	-	-	✓
8	PH31		p.24	A5	-	-
9	TS12		p.26	-	B1	-
10	GA		p.30	✓	✓	-
11	AC01		p.32	✓	-	-

# 8 BT15: Base Tower 115 145cm 270270

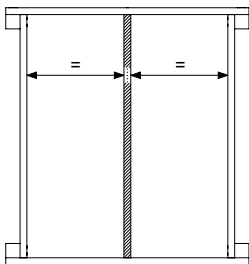
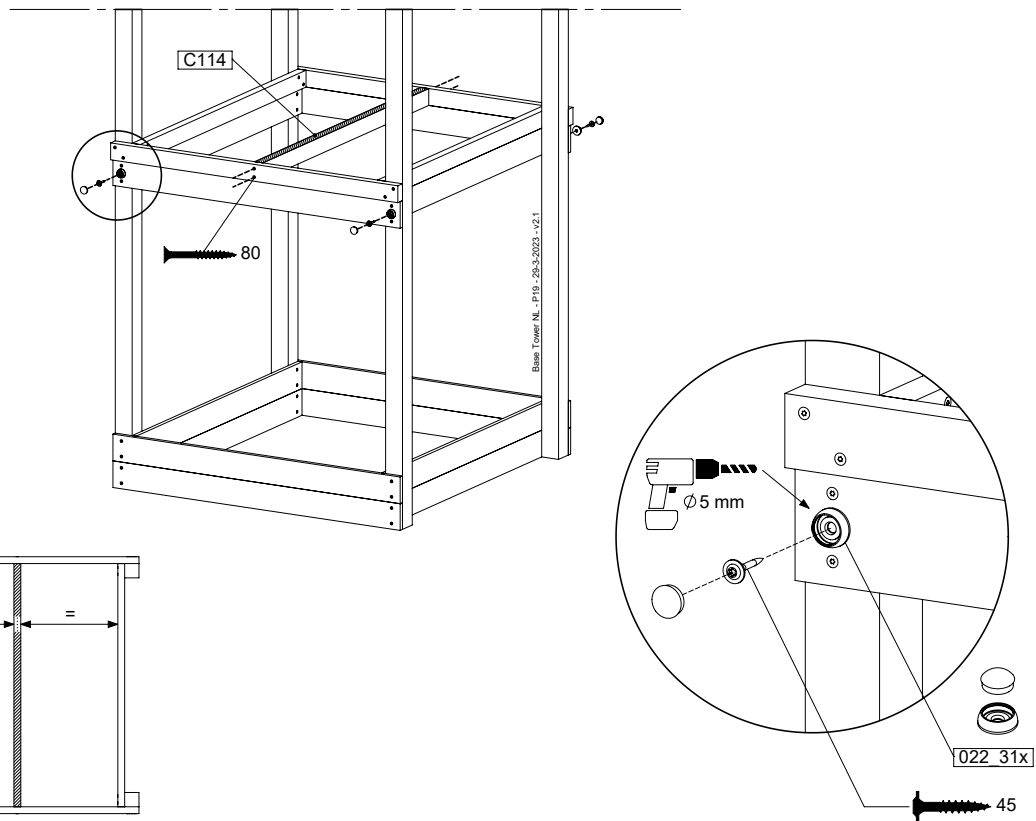
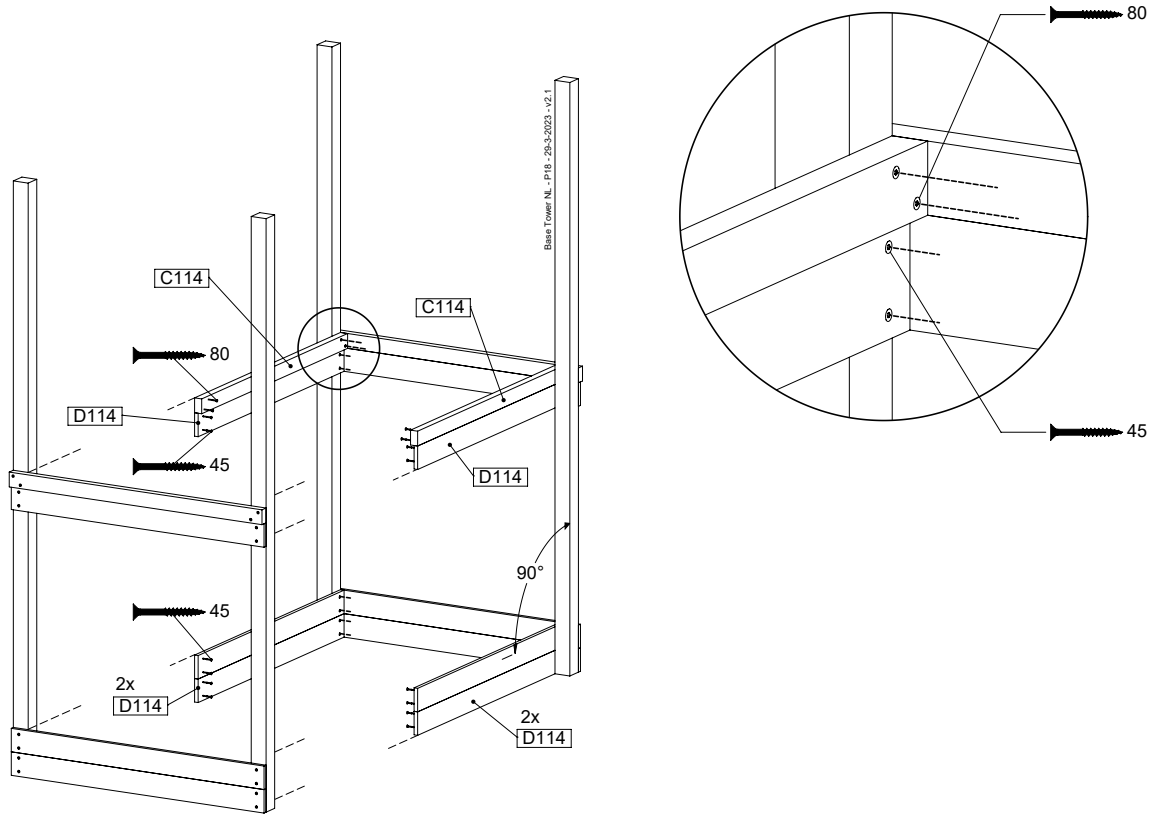
( 194\_300 )

	PartNo	PartName	QTY.
Hardware Pack	001_406	Stealth Screw 8x45	6
	001_417	Stealth Screw 8x80	4
	002_220	Gap Point Screw T25 - 5x45	118
	002_223	Gap Point Screw T25 - 5x80	20
	022_31x	bpc-base version 3	8
	022_84x	bpc cover	8
Other	007_001	Ground-anchor	2
Timber	A270	Post 70x70 L2700	4
	C114	Beam 1140 mm	5
	D100	Board 1000 mm	14
	D114	Board 1140 mm	12

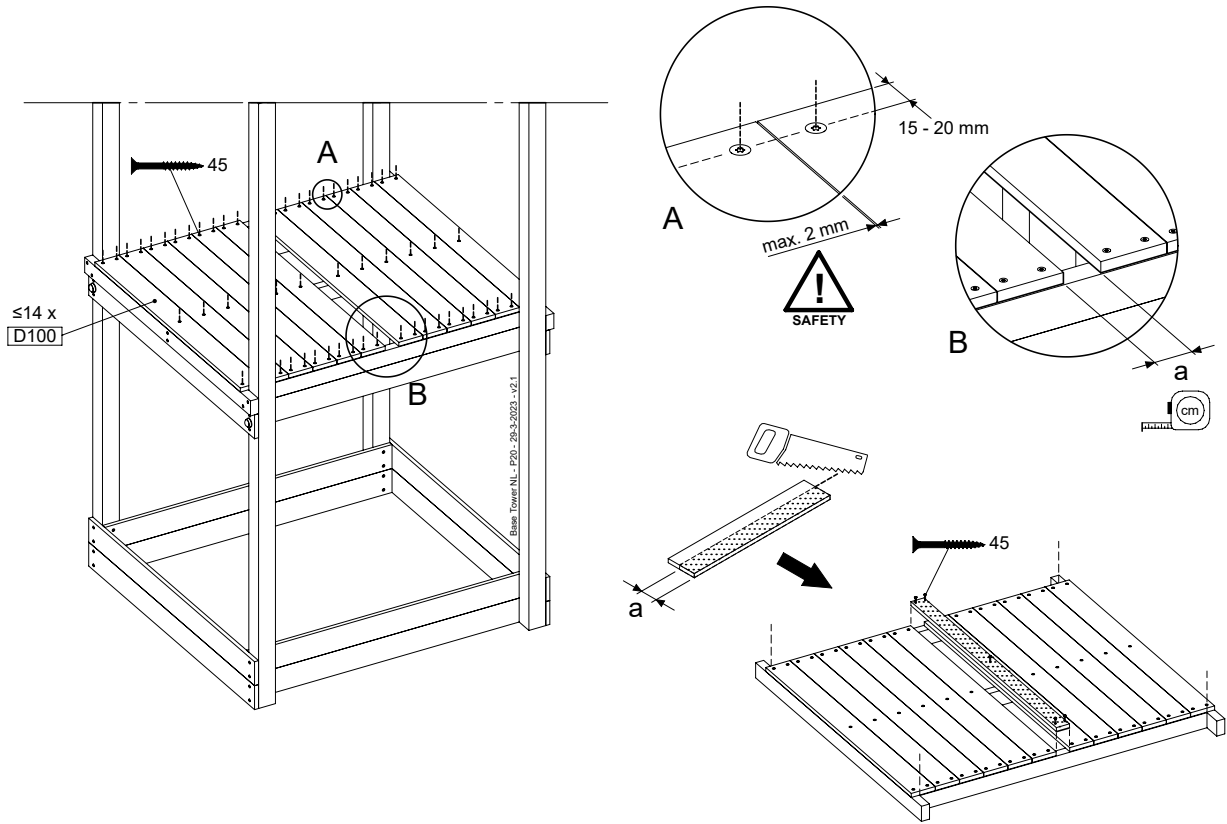
Base Tower NL - P09 - BT15 - 26-3-2023 - v2.1



# 8.1



## 8.2

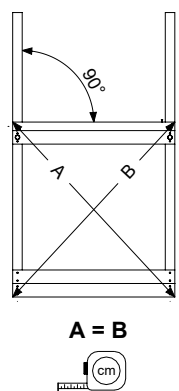
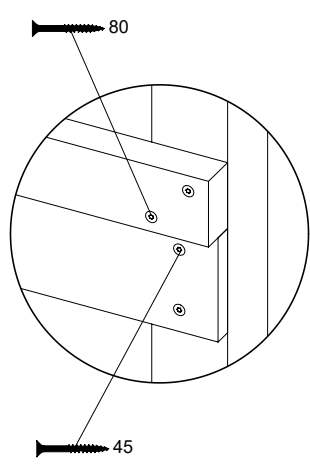
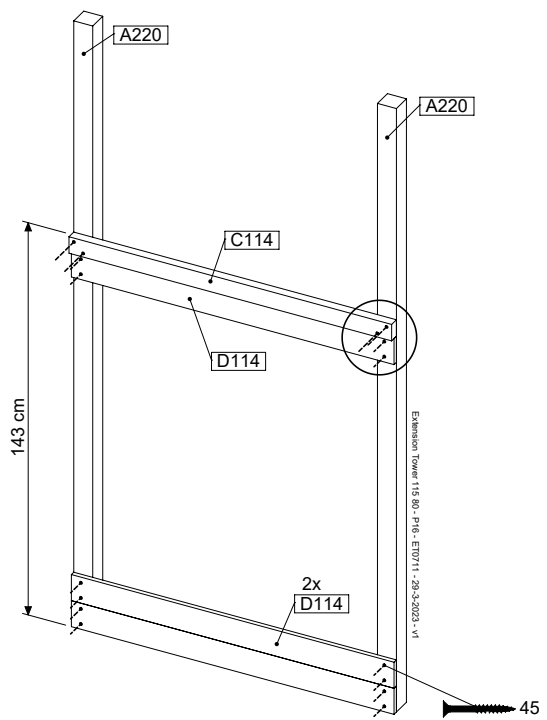
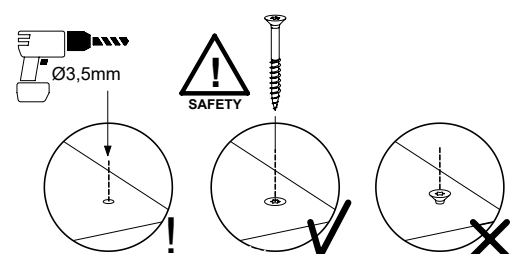
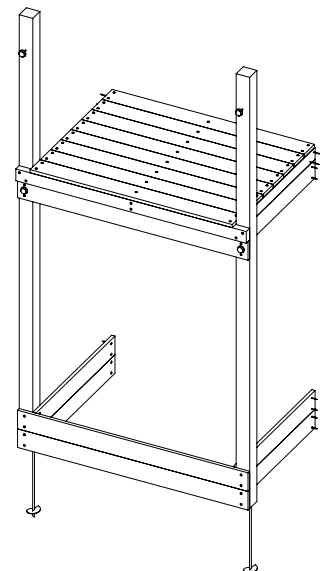


# 9 ET07: Extension Tower 11580 220/145

( 194\_300 )

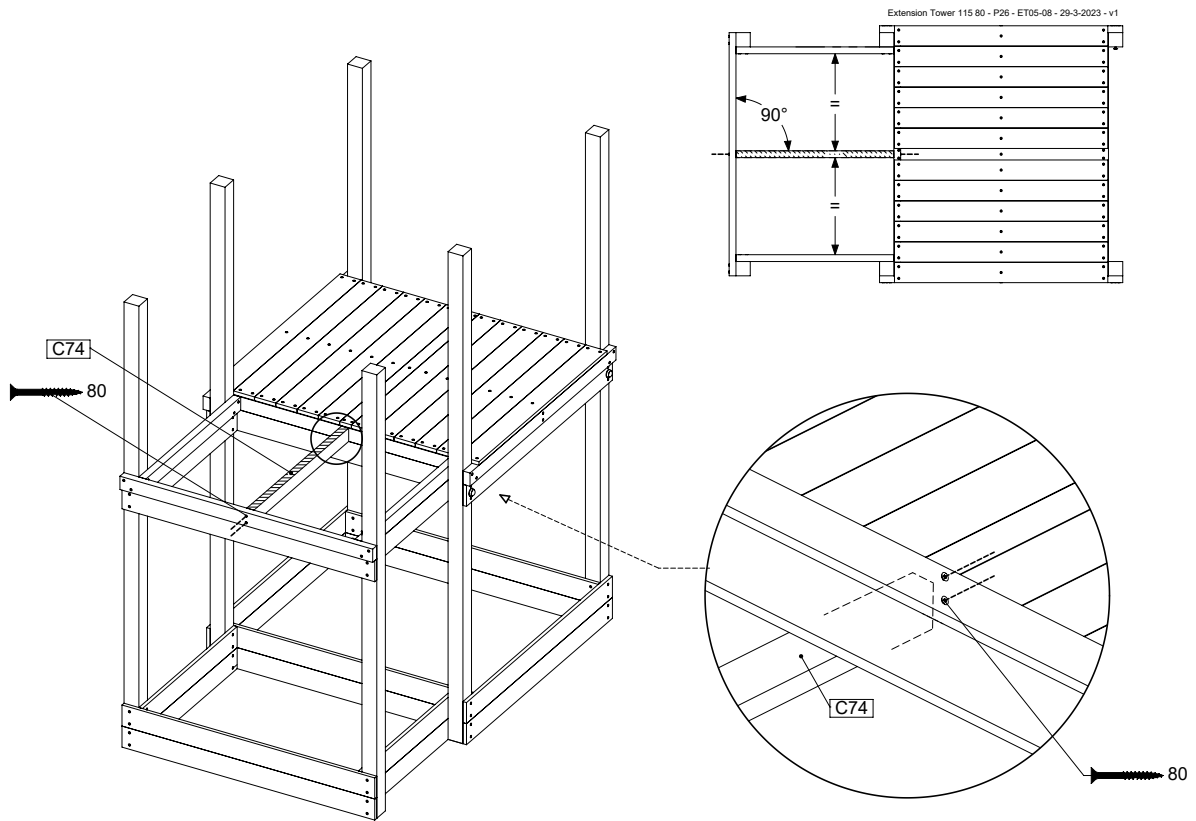
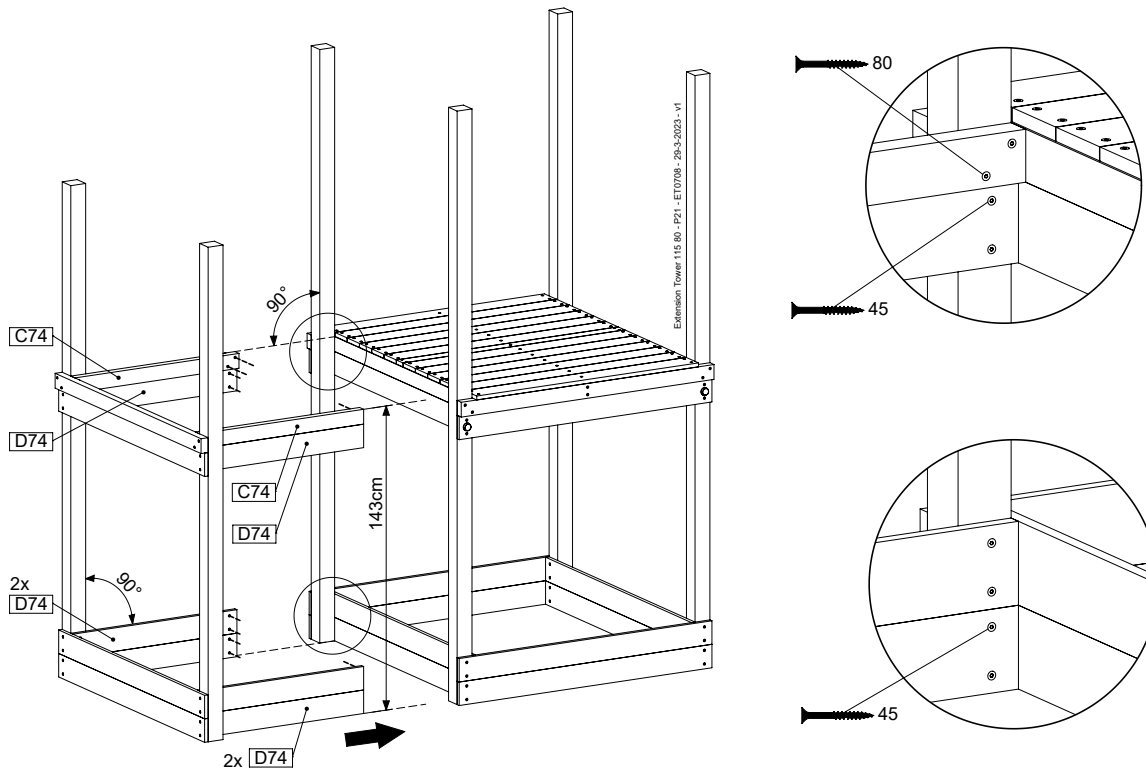
	PartNo	PartName	QTY.
Hardware pack	001_406	Stealth Screw 8x45	4
	001_417	Stealth Screw 8x80	2
	002_220	Gap Point Screw T25 - 5x45	81
	002_223	Gap Point Screw T25 - 5x80	16
Other	007_001	Ground-anchor	2
	022_31x	bpc-base version 3	4
	022_84x	bpc cover	4
Timber	A220	Post 70x70 L2200	2
	C74	Beam 740 mm	3
	C114	Beam 1140 mm	1
	D74	Board 740 mm	6
	D100	Board 1000 mm	9
	D114	Board 1140 mm	3

Extension Tower 11580 - P04 - ET07 - 29-3-2023 - v1

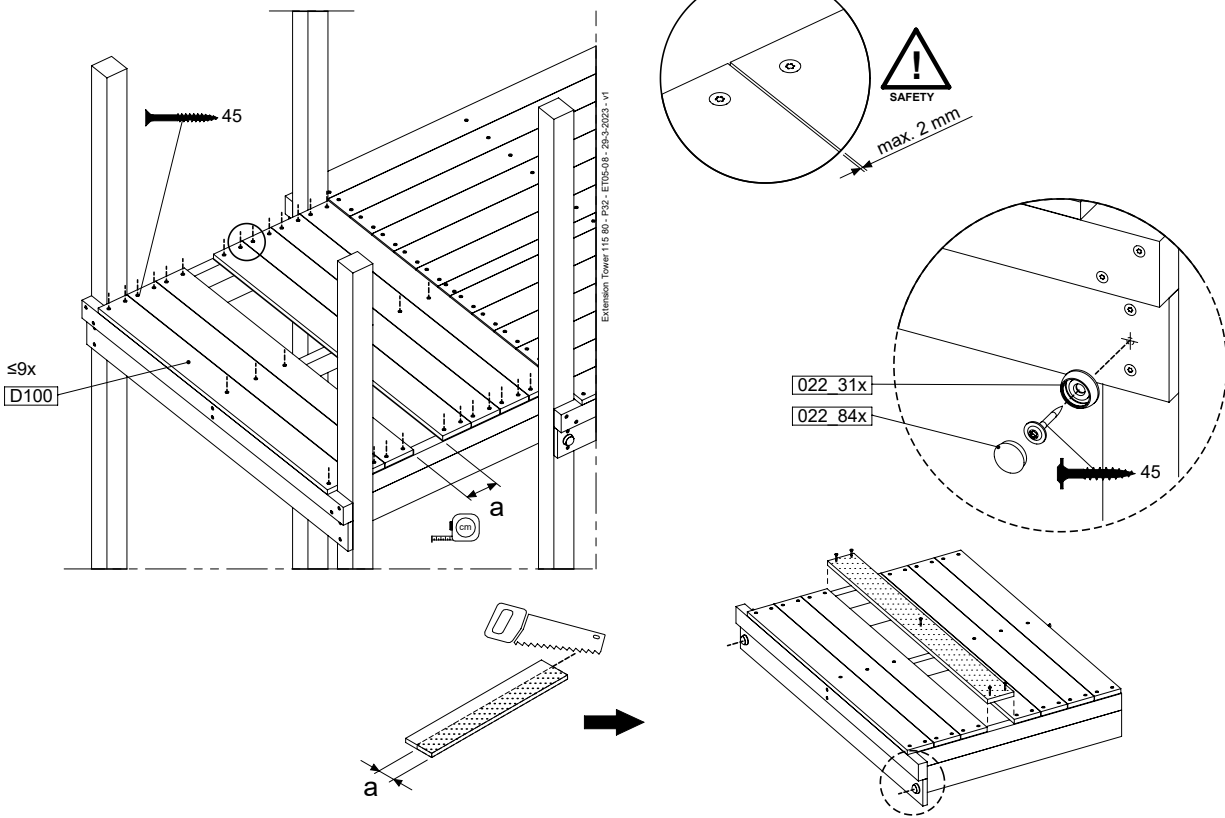




# 9.1



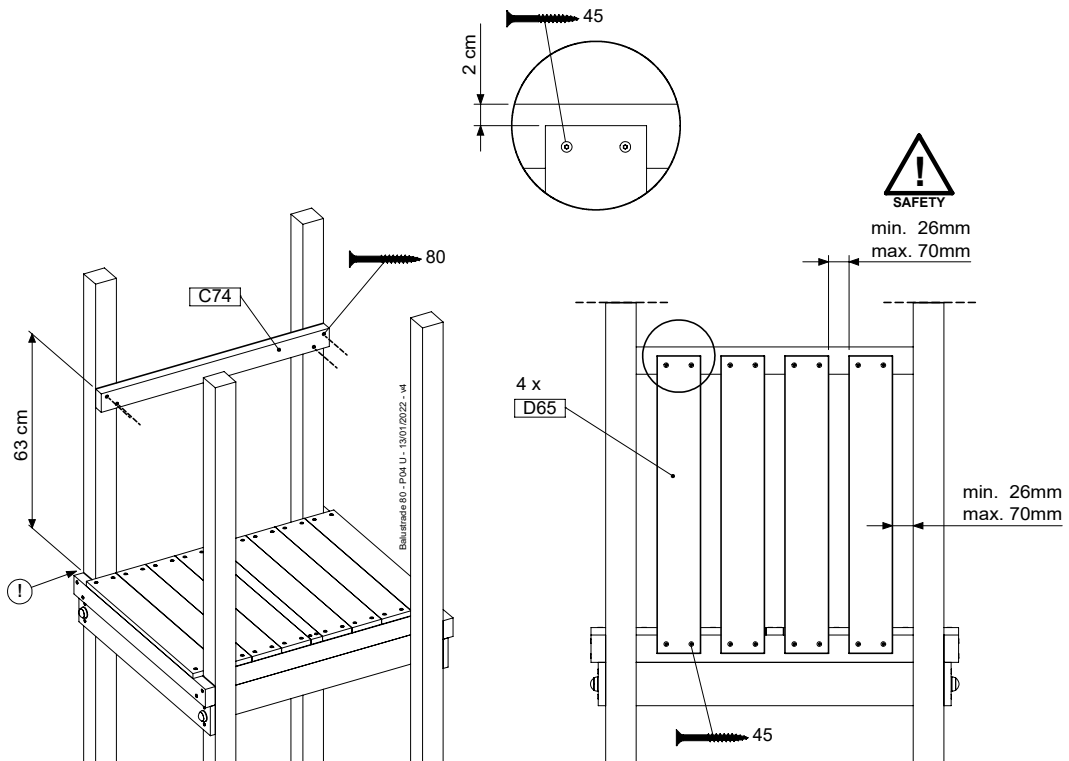
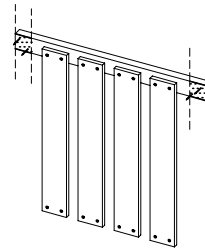
## 9.2



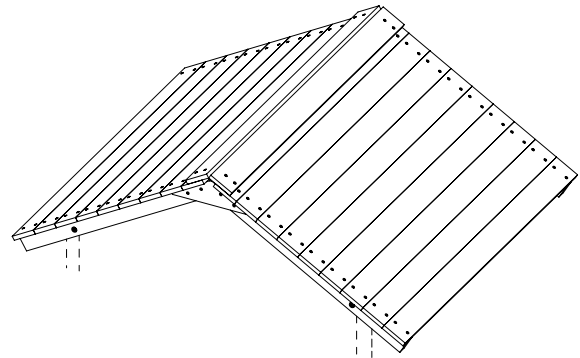
# 10 BL01: Balustrade 80 U - 7x7 posts

( 194\_101 )

	PartNo	PartName	QTY.
Hardware Pack 100_601	002_220	Gap Point Screw T25 - 5x45	16
	002_223	Gap Point Screw T25 - 5x80	4
Timber	C74	Beam 740 mm	1
	D65	Board 650 mm	4



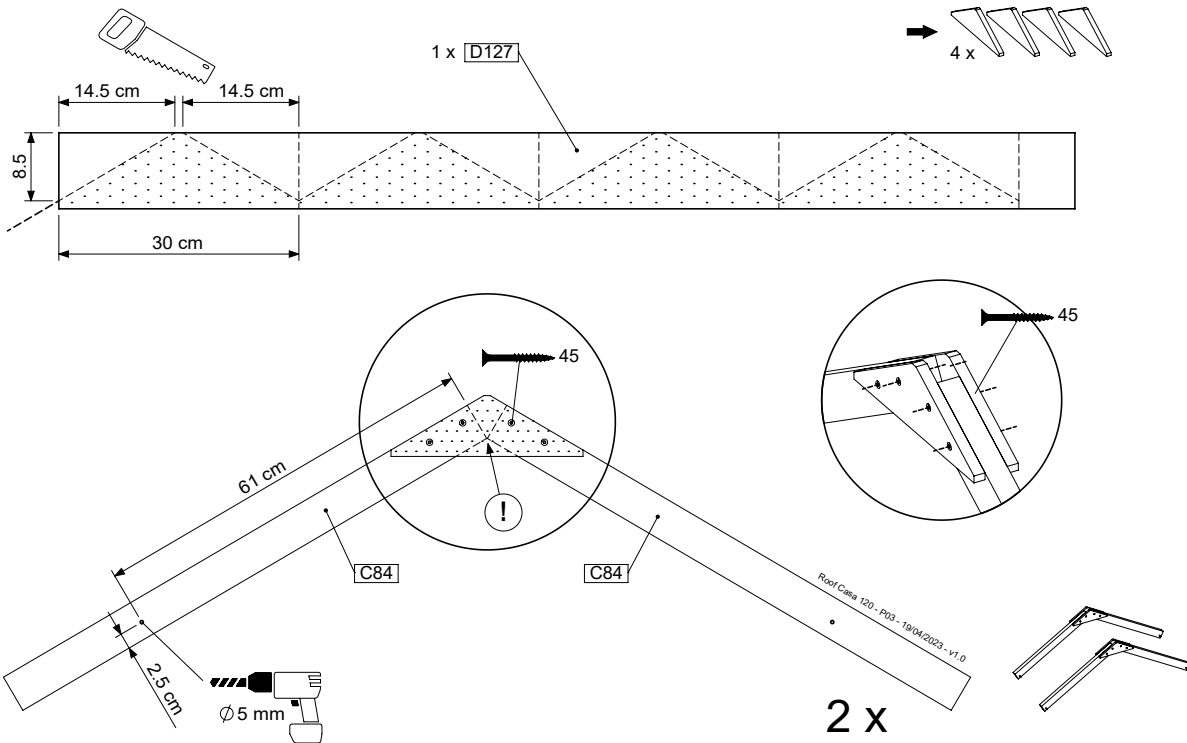
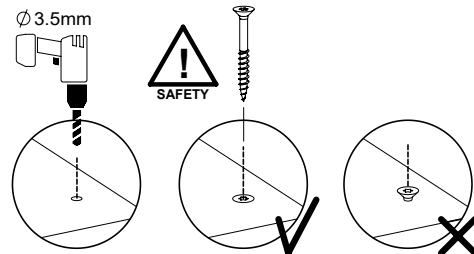
# 11 RF09: Roof Timber Slope 115



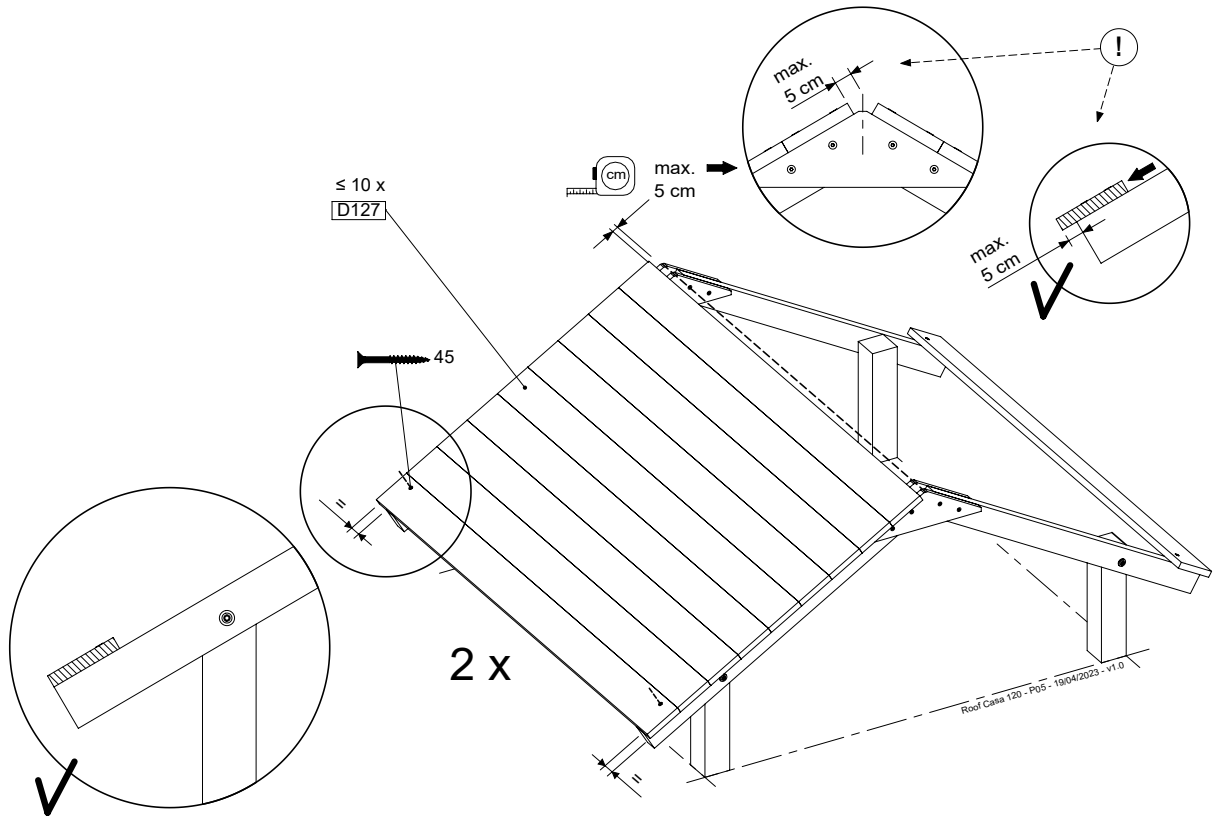
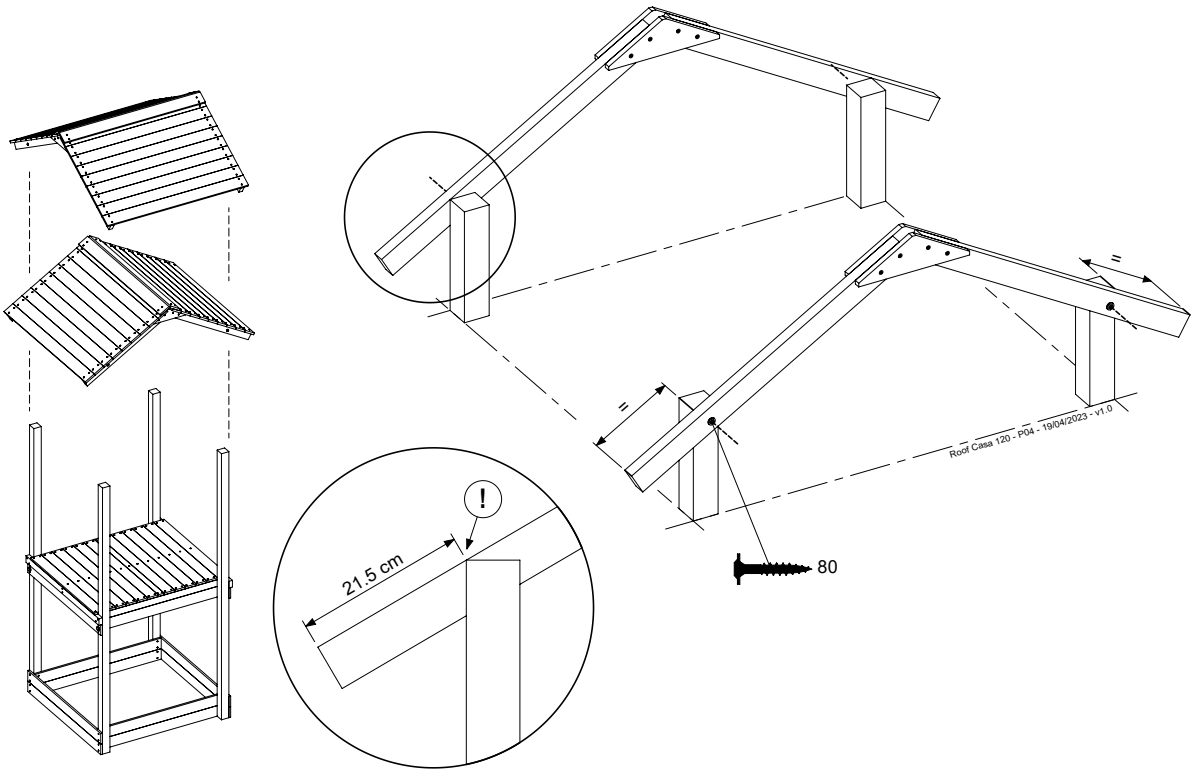
( 194\_308 )

	PartNo	PartName	QTY.
Hardware Pack	001_417	Stealth Screw 8x80	4
	002_220	Gap Point Screw T25 - 5x45	96
	002_223	Gap Point Screw T25 - 5x80	8
Timber	C84	Beam 840 mm	4
	D127	Board 1270 mm	19-23

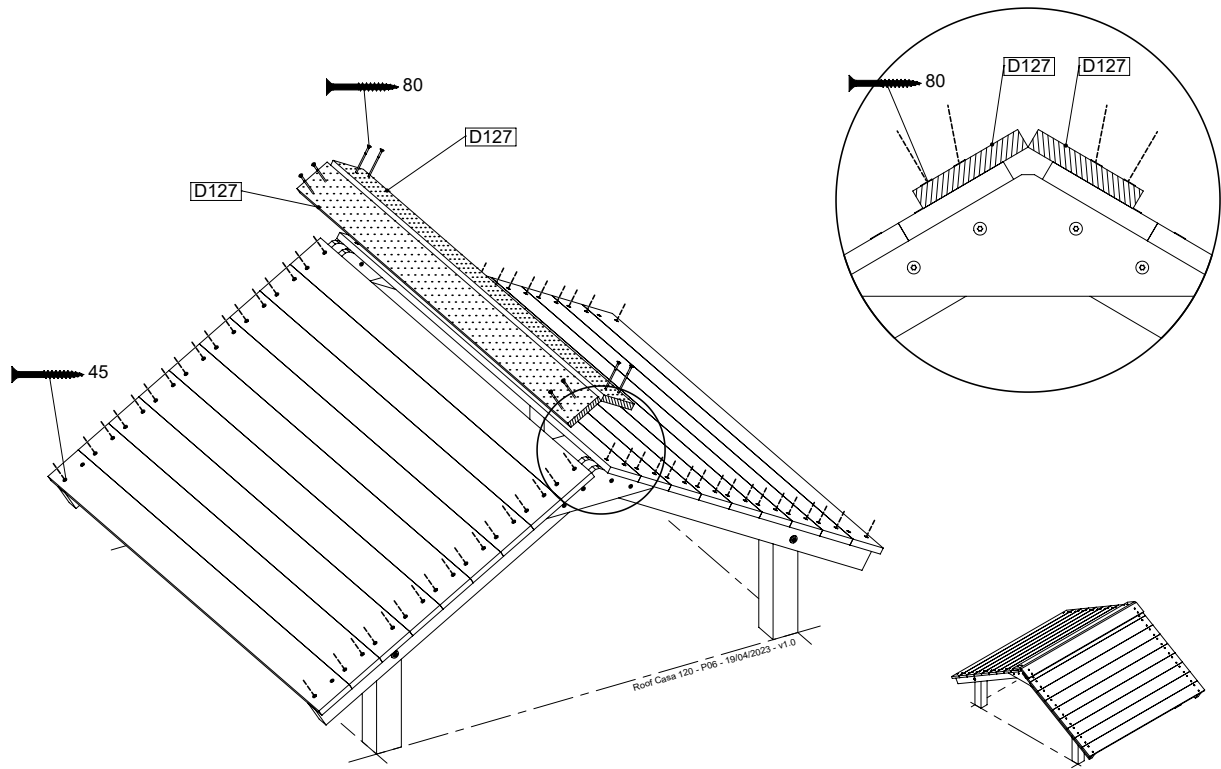
Roof Case T20 - P02 - 19/04/2023 - v1.0



# 11.1



# 11.2

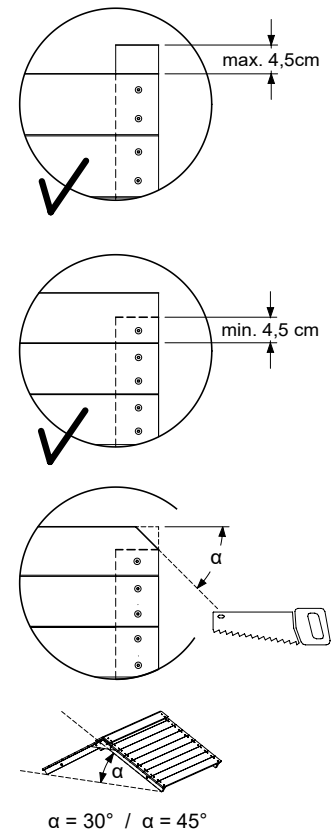
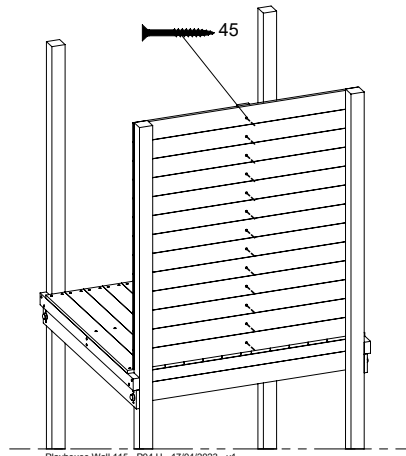
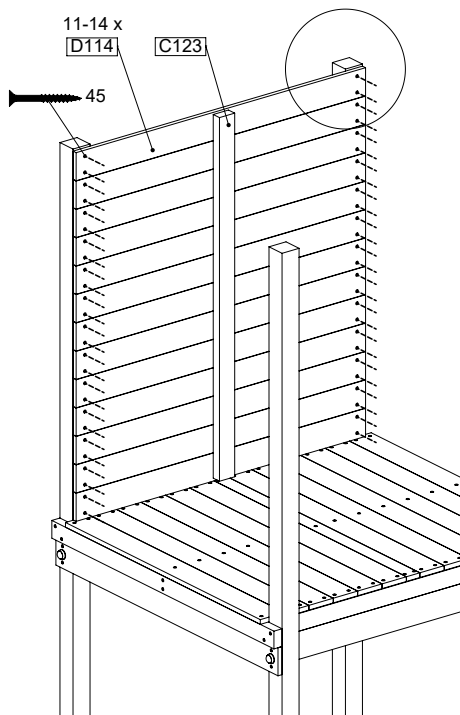
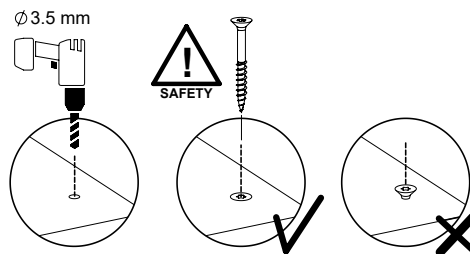
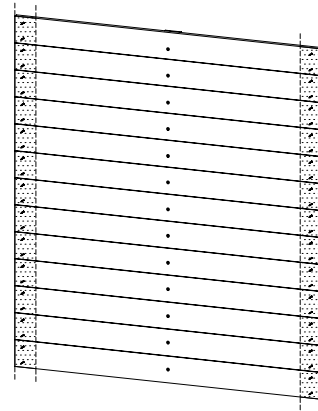


# 12 PH10: Playhouse Wall Panel 115 U

( 194\_809 )

	PartNo	PartName	QTY.
Hardware Pack	002_220	Gap Point Screw T25 - 5x45	70
Timber	C123	Beam 1230 mm	1
	D114	Board 1140 mm	14

Playhouse Wall 115 - P02 U - 17/04/2023 - v1

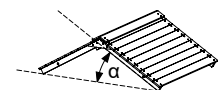
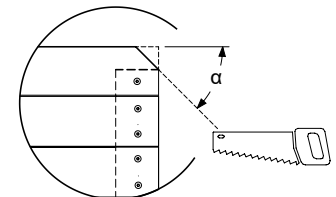
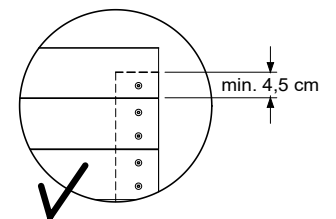
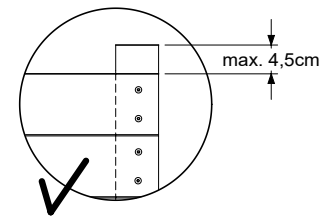
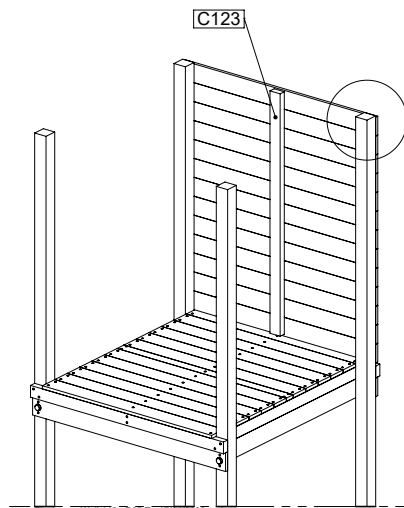
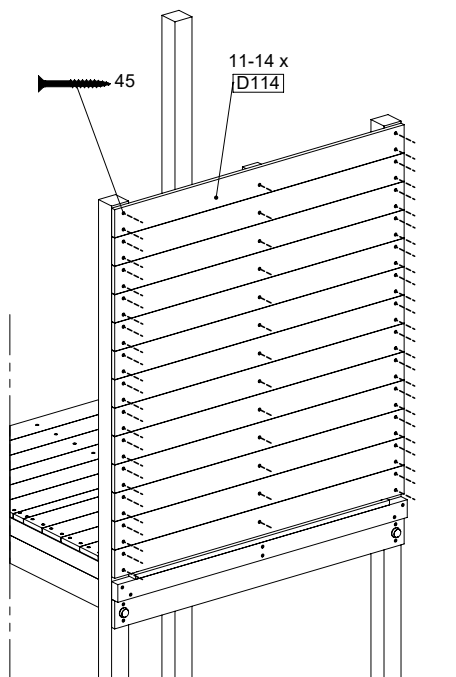
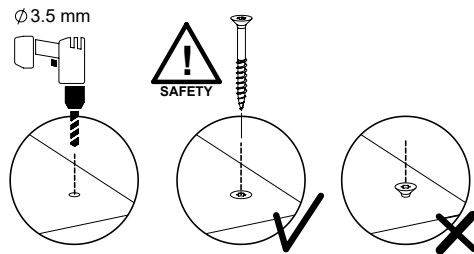
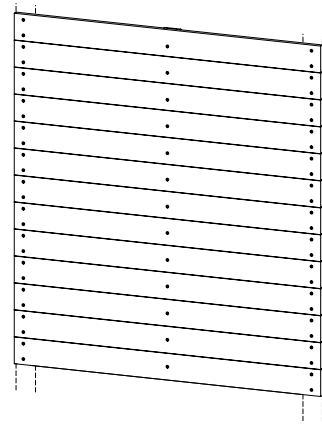


# 13 PH11: Playhouse Wall Panel 115 T

( 194\_809 )

	PartNo	PartName	QTY.
Hardware Pack	002_220	Gap Point Screw T25 - 5x45	70
Timber	C123	Beam 1230 mm	1
	D114	Board 1140 mm	14

Playhouse Wall 115 - P03 T - 17/04/2023 - v1



$\alpha = 30^\circ / \alpha = 45^\circ$

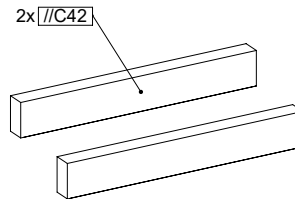
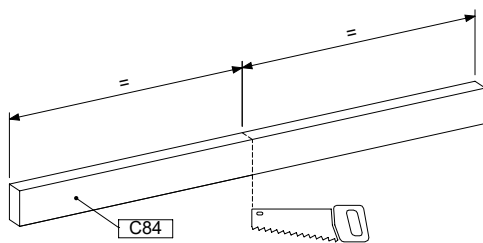
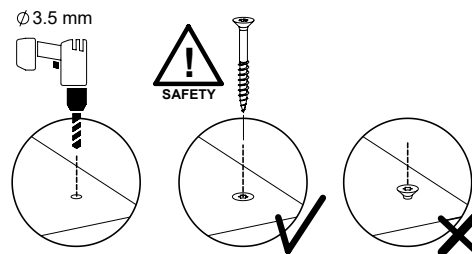
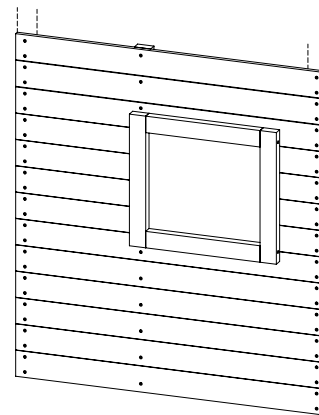


# 14 PH19: Playhouse Window Panel 115 TR

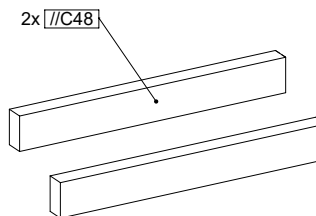
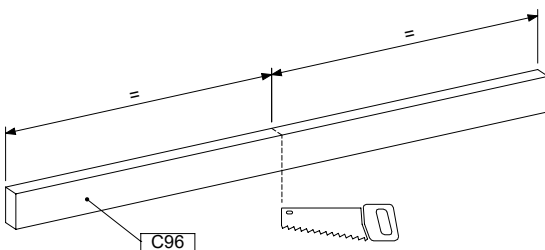
( 194\_118 )

	PartNo	PartName	QTY.
Hardware Pack	002_220	Gap Point Screw T25 - 5x45	90
	002_223	Gap Point Screw T25 - 5x80	4
Timber	C84	Beam 840 mm	1
	C96	Beam 960 mm	2
	D21	Board 210 mm	4
	D47	Board 470 mm	4
	D114	Board 1140 mm	10

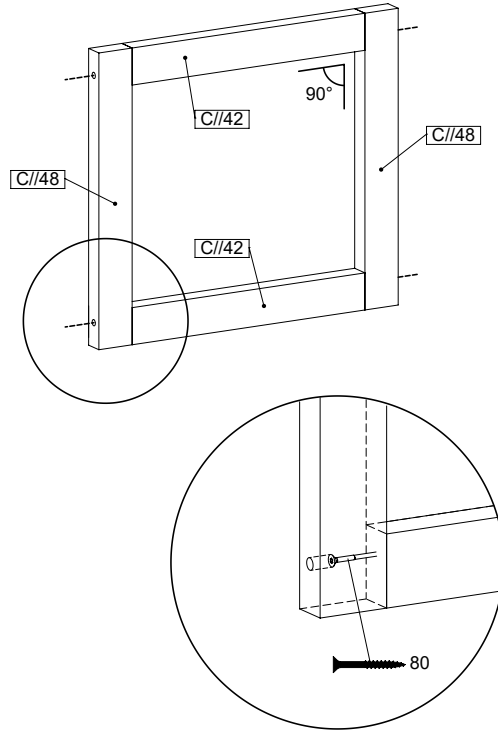
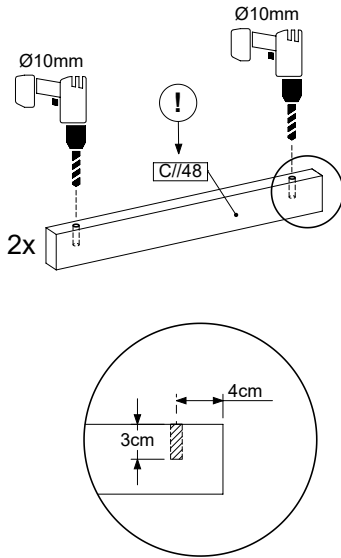
Playhouse Window 115 - P05 TR - 29-3-2023 - v1



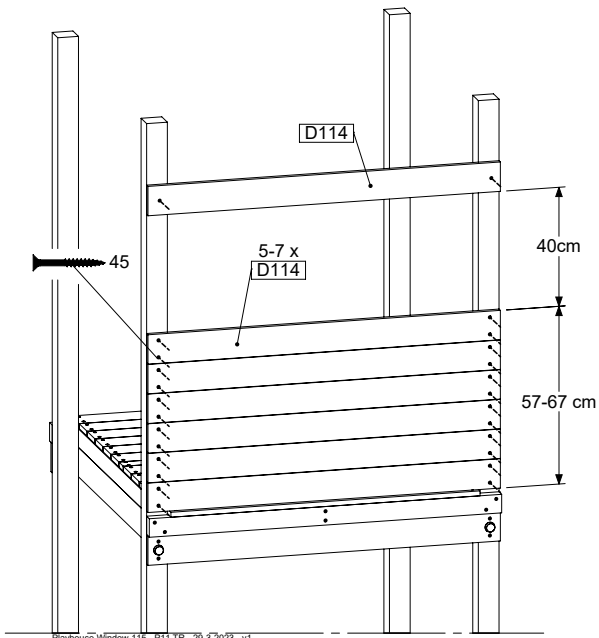
Playhouse Window 115 - P06 unit. - 29-3-2023 - v1



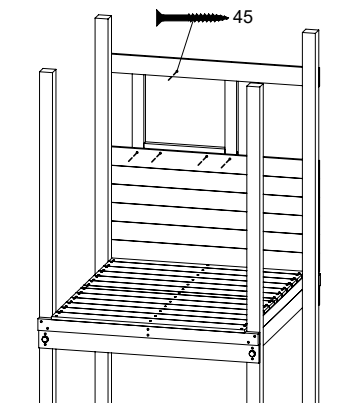
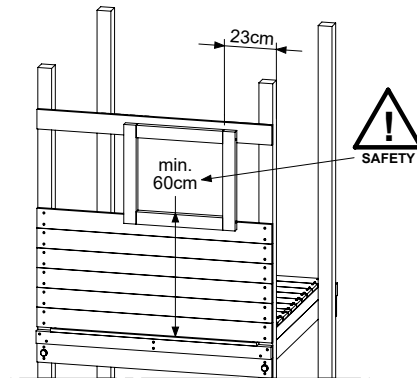
# 14.1



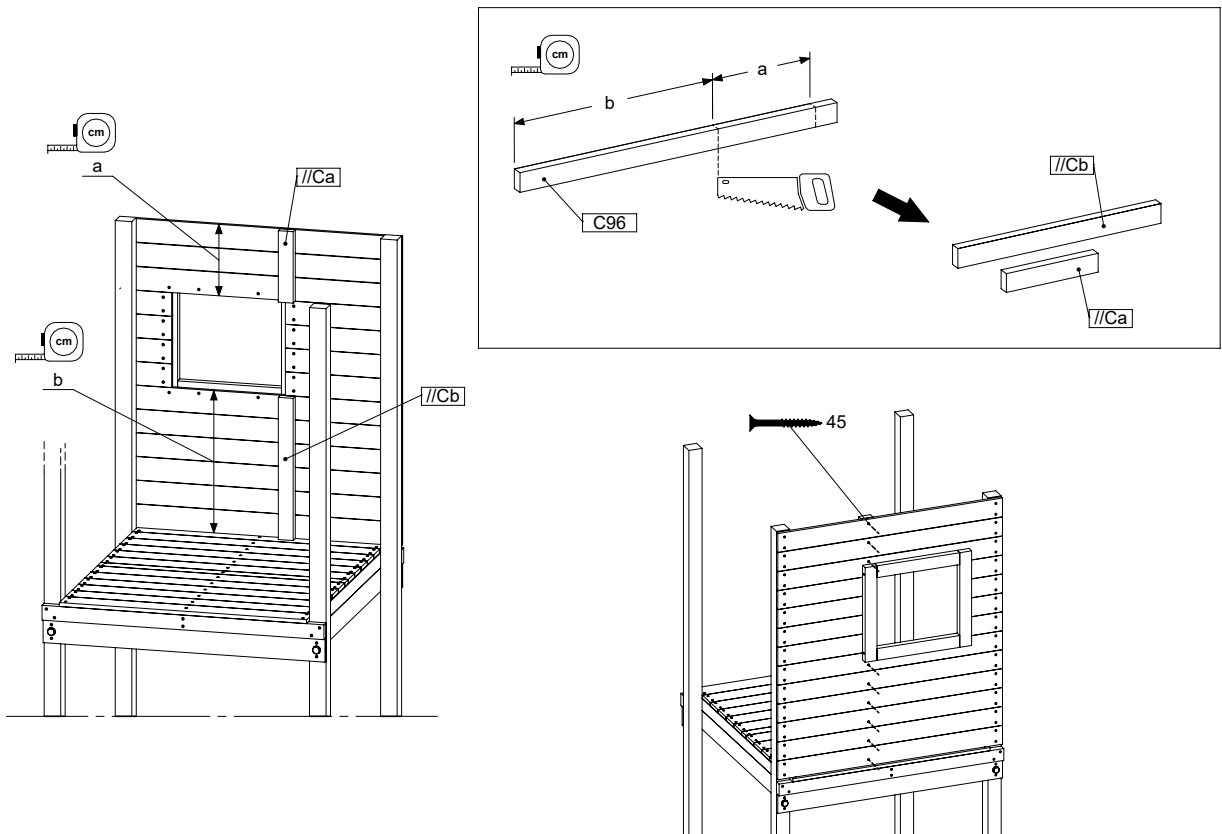
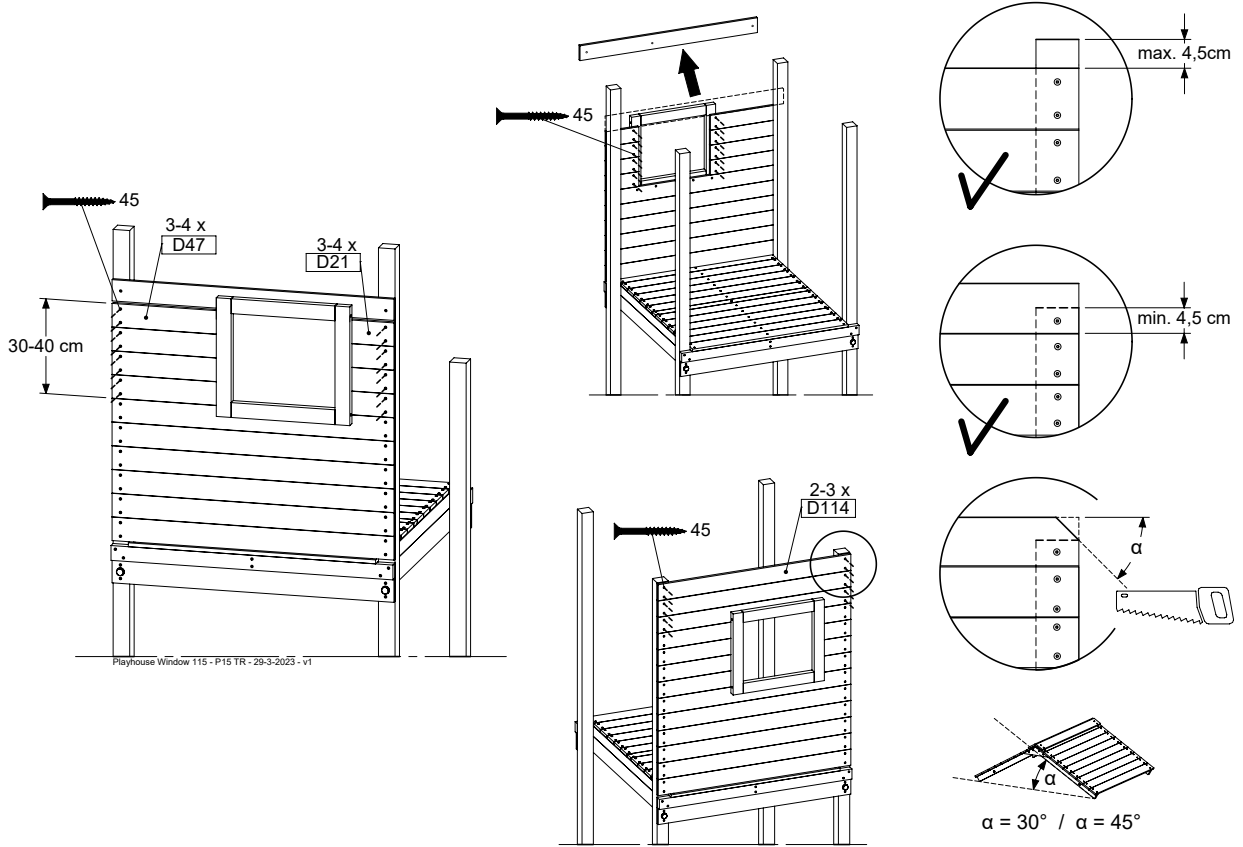
Playhouse Window 115 - P11 TR - 29-32023 - v1



Playhouse Window 115 - P11 TR - 29-32023 - v1



# 14.2

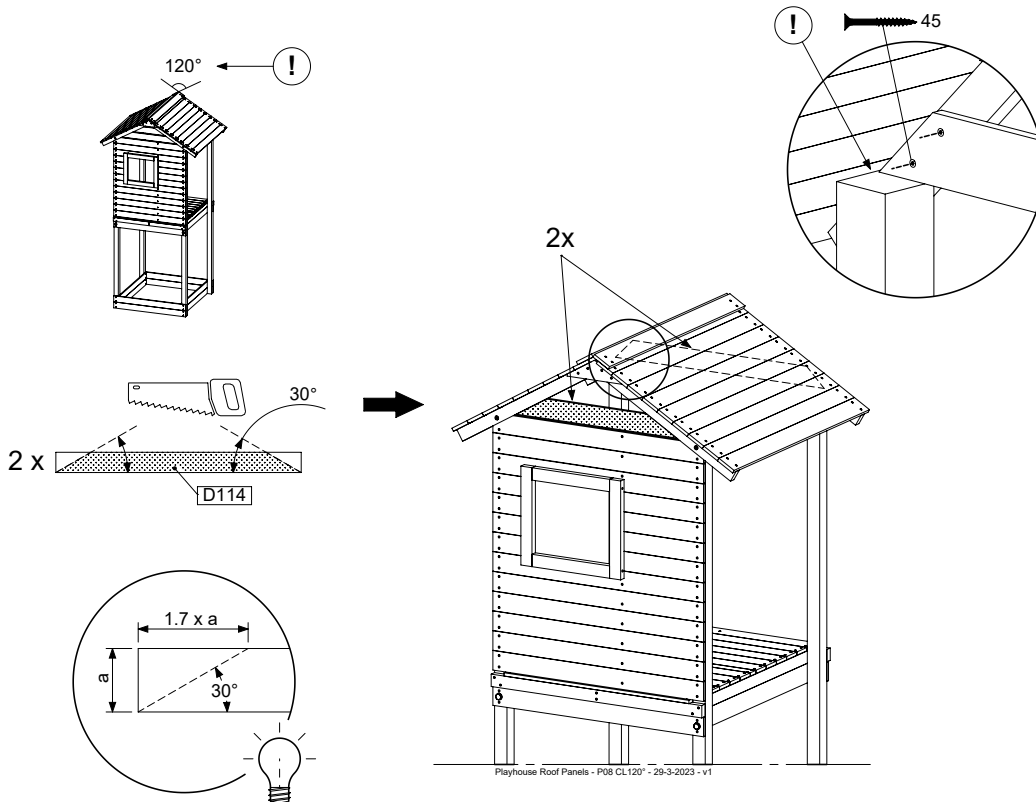
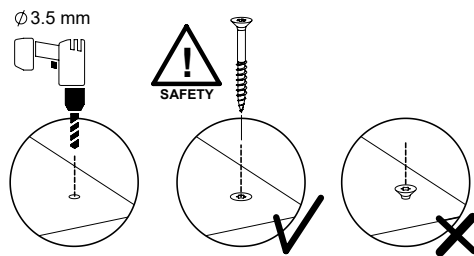
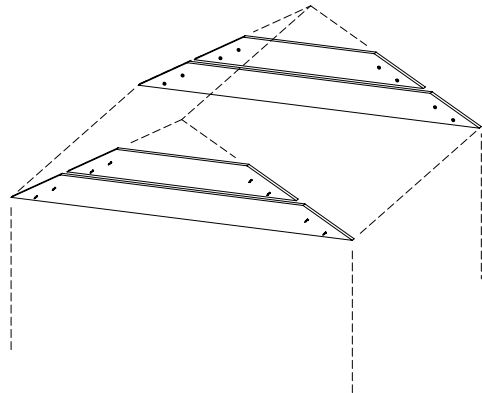


# 15 PH31: Playhouse Roof Panels 115 120deg

( 194\_501 )

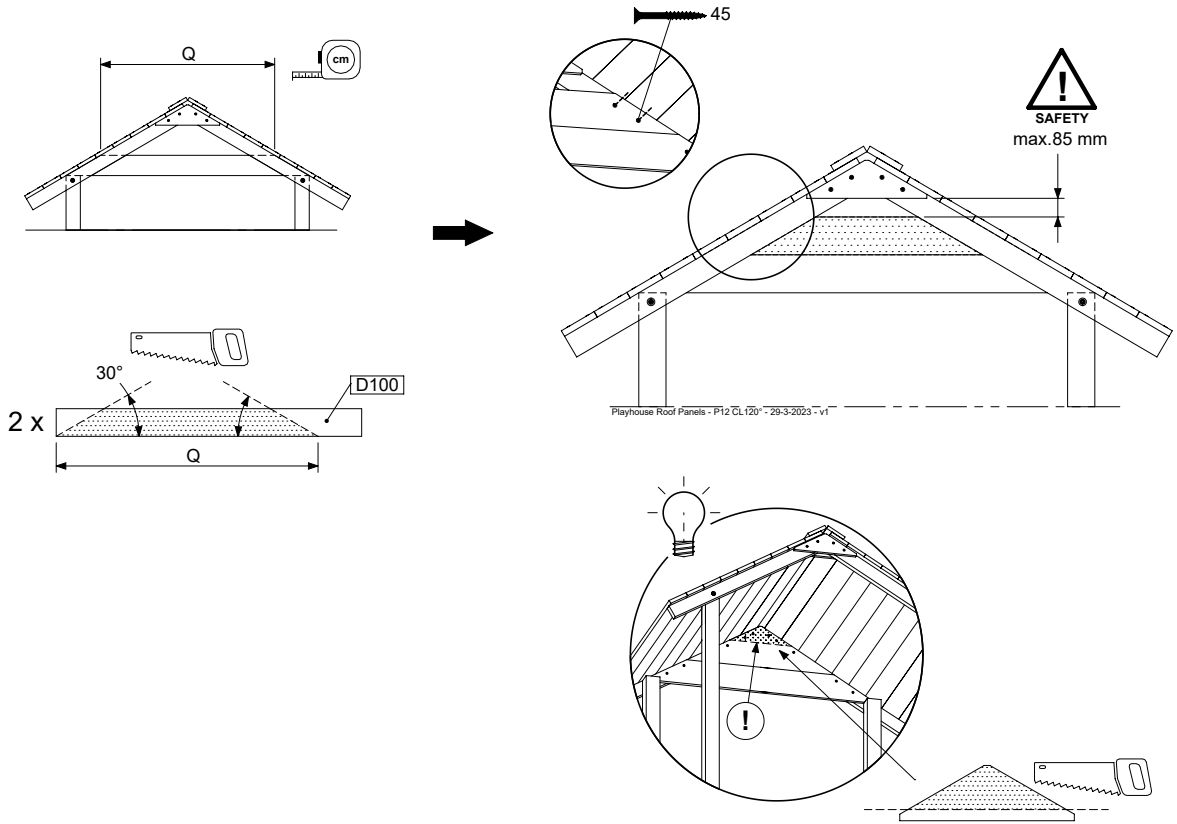
	PartNo	PartName	QTY.
Hardware Pack	002_220	Gap Point Screw T25 - 5x45	24
Timber	D65	Board 650 mm	2
	D100	Board 1000 mm	2
	D114	Board 1140 mm	2

Playhouse Roof Panels - P08 CL120° - 29-3-2023 - v1



Playhouse Roof Panels - P08 CL120° - 29-3-2023 - v1

# 15.1

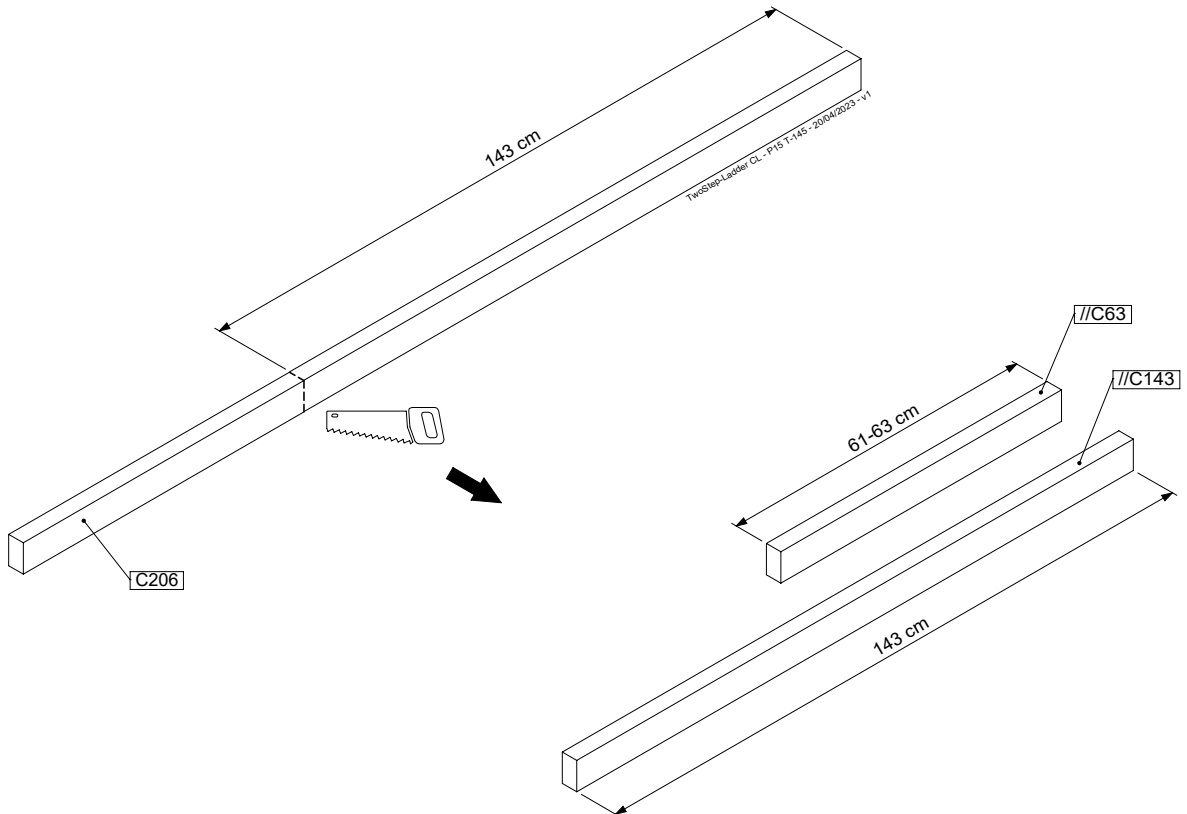
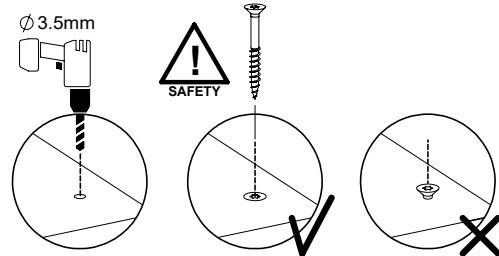
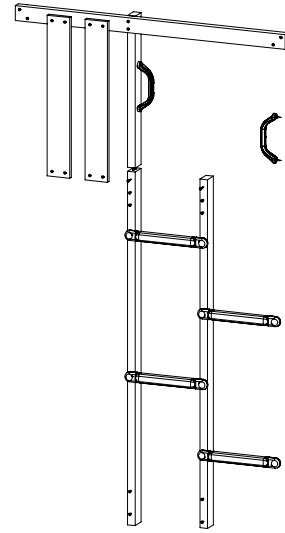


# 16 TS12: Two Step 115 145 T Right

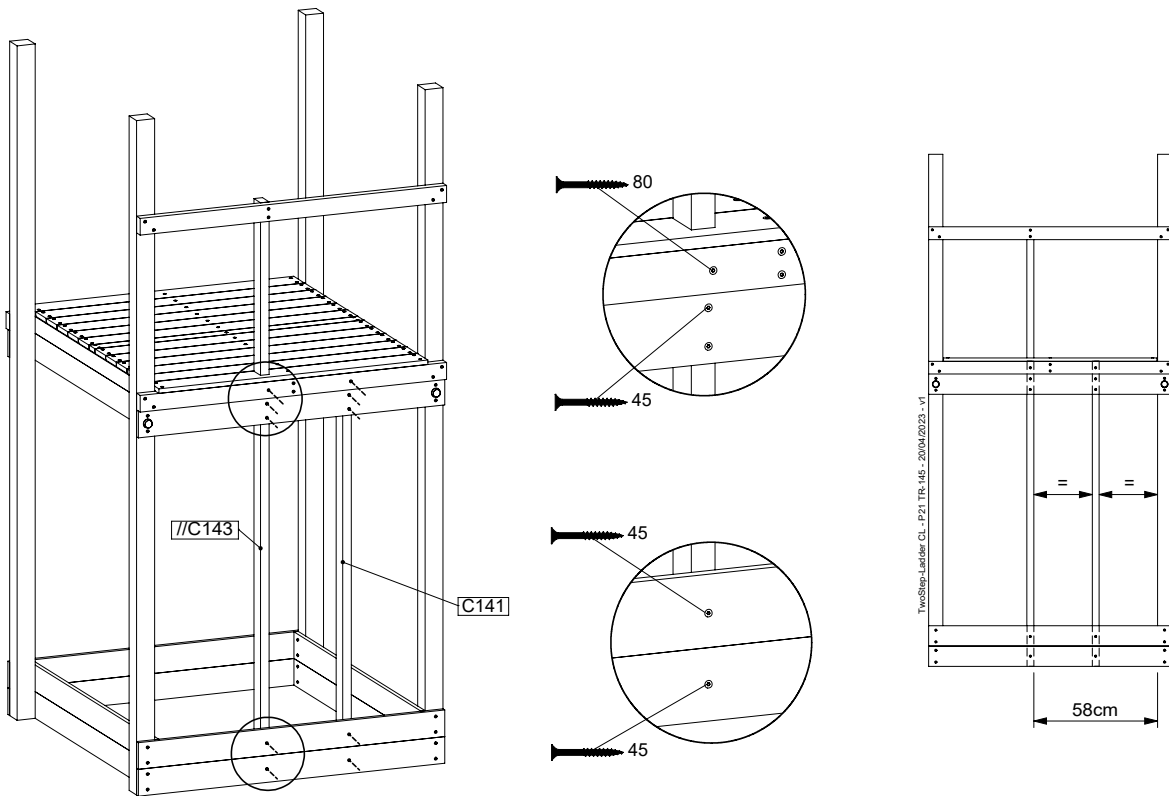
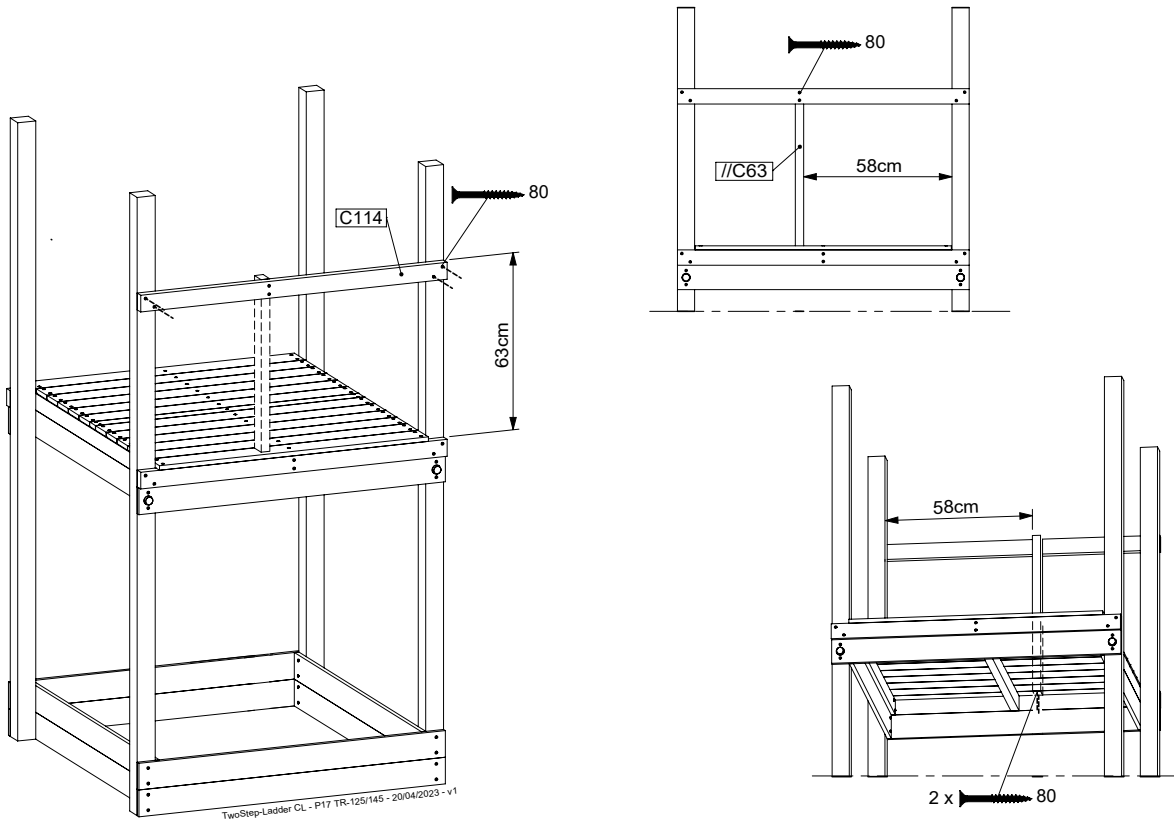
( 194\_002 + 194\_101 )

	PartNo	PartName	QTY.
Hardware pack	001_406	Stealth Screw 8x45	8
	002_220	Gap Point Screw T25 - 5x45	16
	002_223	Gap Point Screw T25 - 5x80	10
Other	022_53x	Ladder/ Rope Rung 30cm	4
	022_84x	bpc cover	8
	120_102	Handgrip set (complete 2x)	1
Timber	C114	Beam 1140 mm	1
	C141	Beam 1410 mm	1
	C206	Beam 2060 mm	1
	D65	Board 650 mm	2

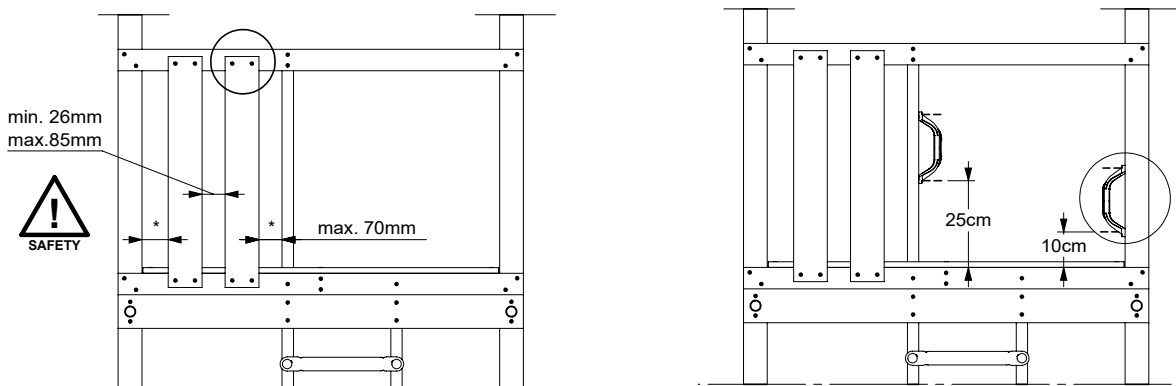
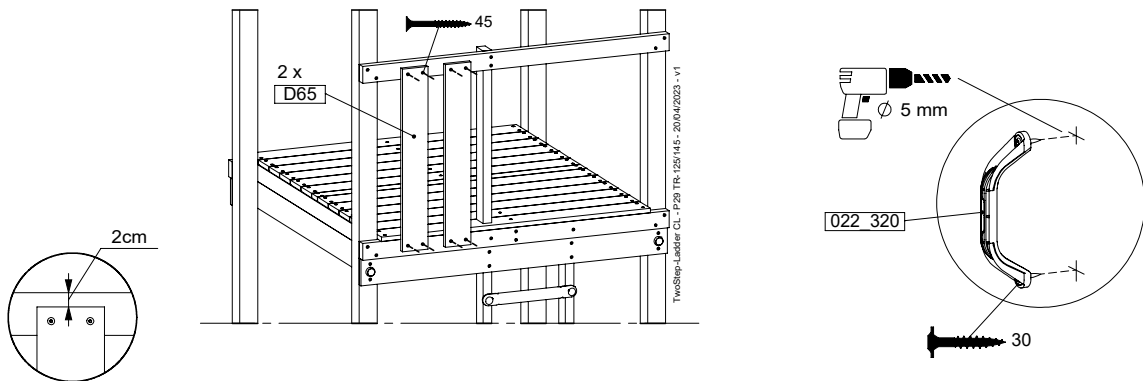
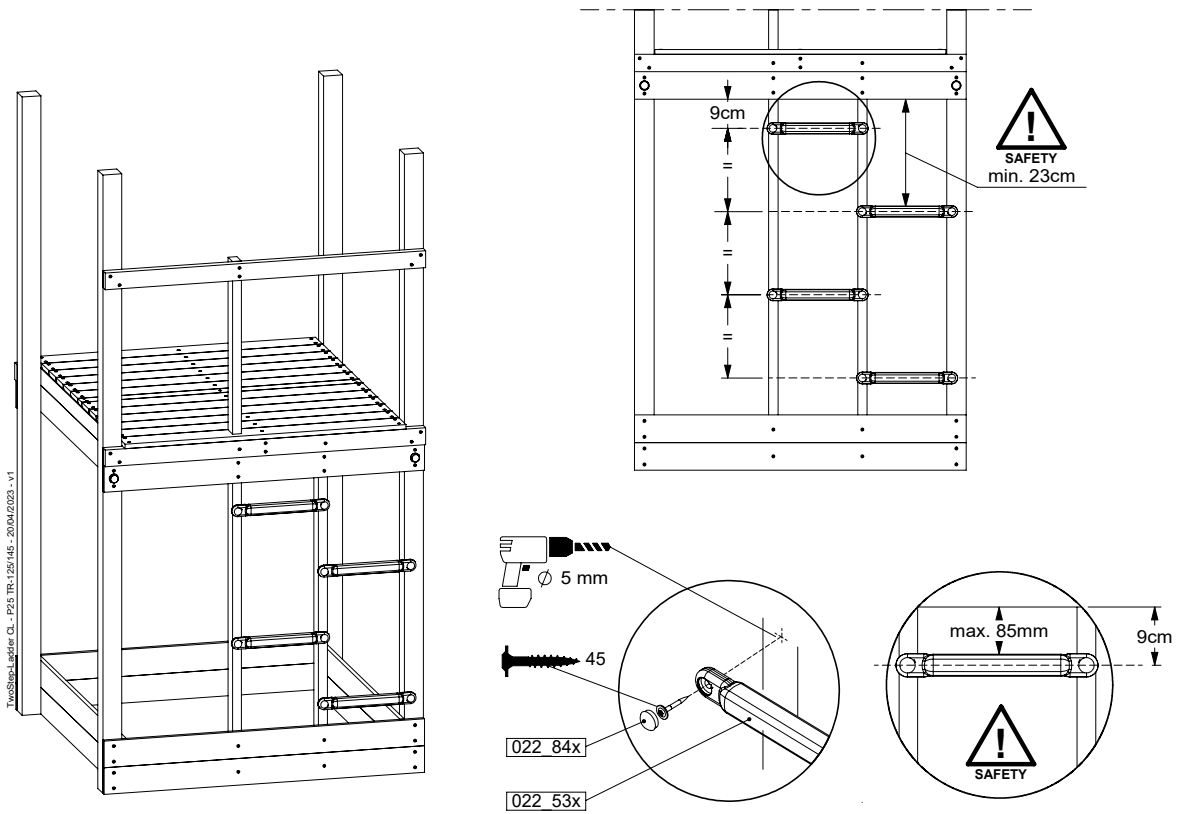
TwoStepLadder.CL - P09 TR-145 - 2004/2023 - v1



# 16.1

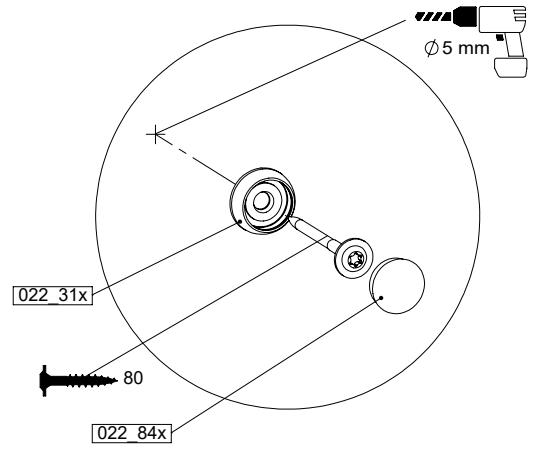
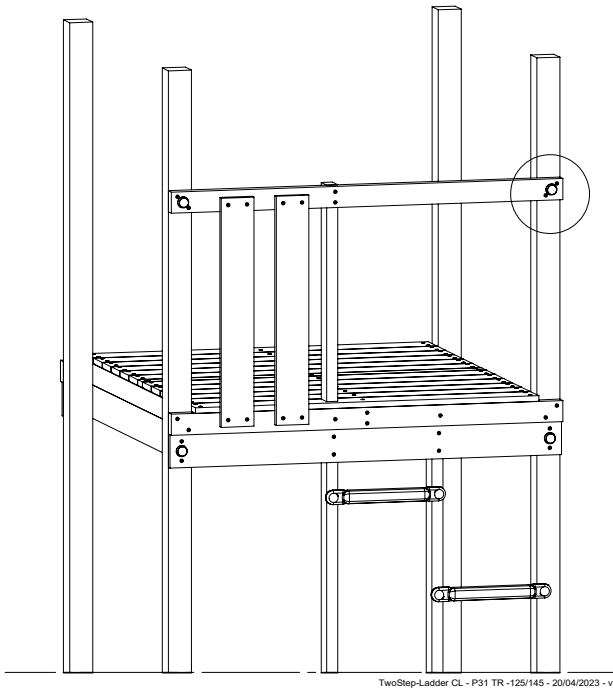


# 16.2

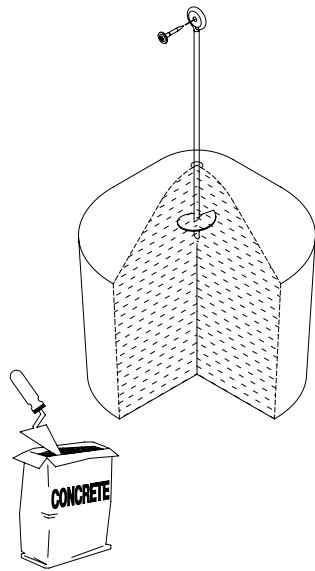




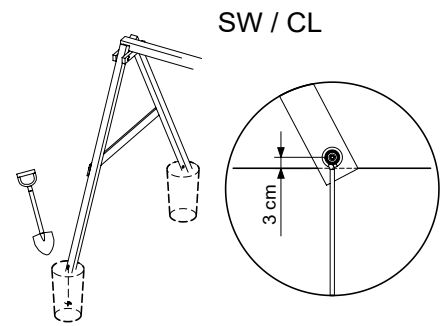
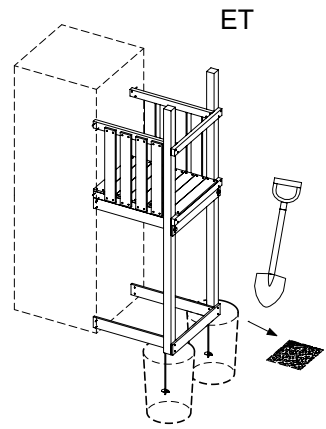
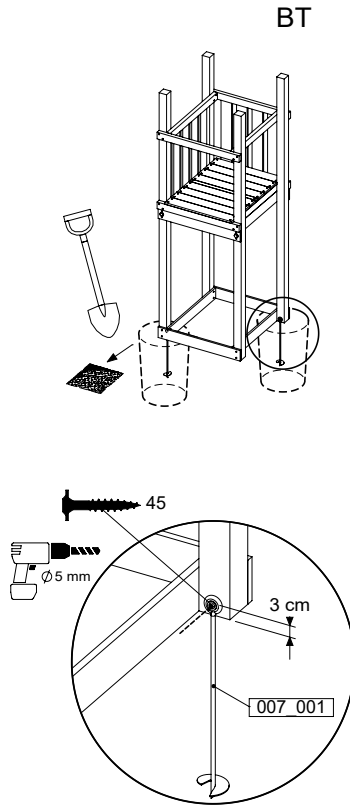
# 16.3



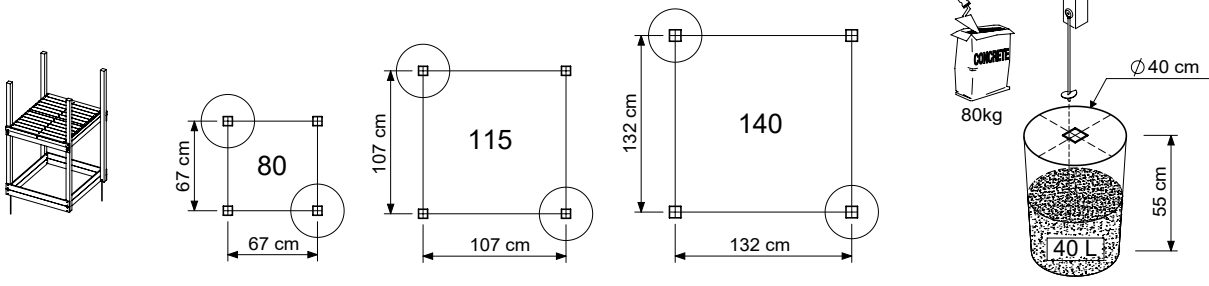
# 17 GA: Ground Anchors



Ground Anchors Uni. - P03 - 14/04/2023 - v1.1

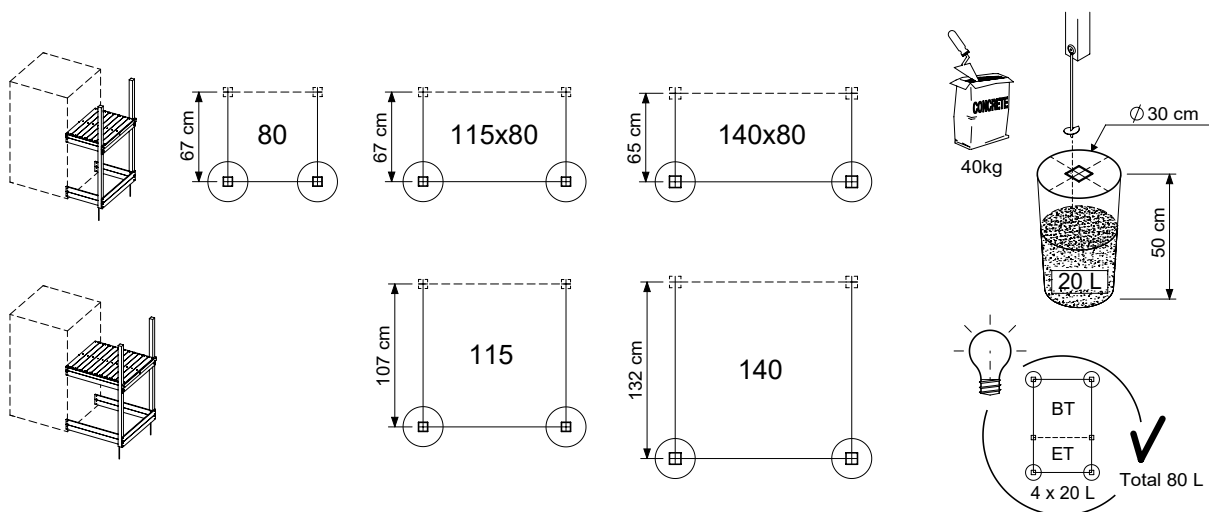


BASE TOWERS



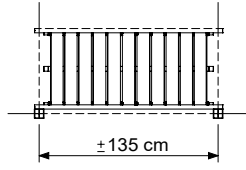
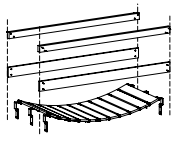
Ground Anchors Uni. - P01 - 14/04/2023 - v1.1

EXTENSION TOWERS

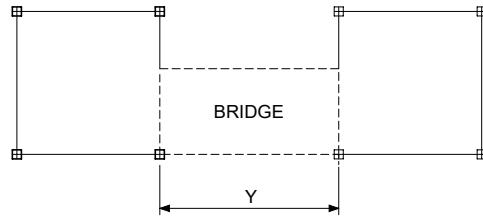
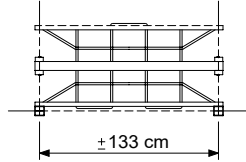
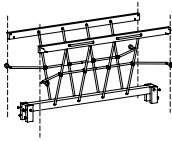


# 17.1

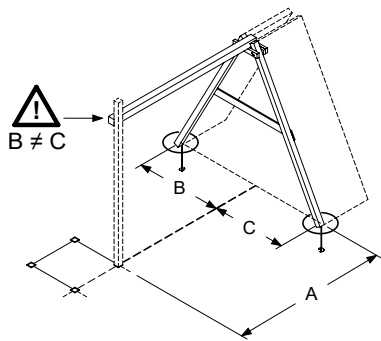
CLATTER BRIDGE



NET BRIDGE

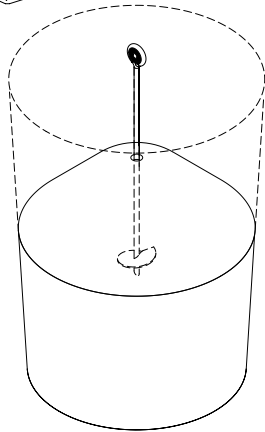
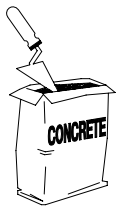
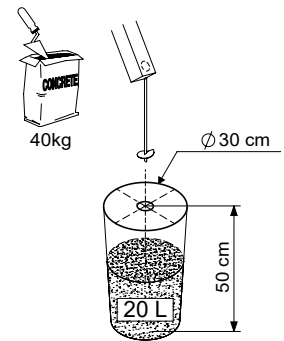


SWING / CLIMB MODULE

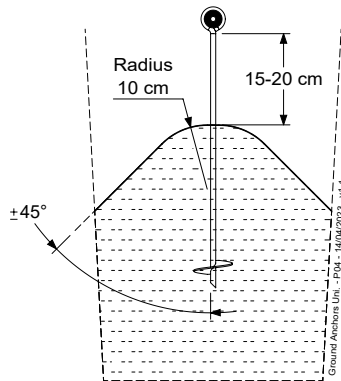


Module type	A	B	C
1-Swing 200	150	115	100
1-Swing 220 / 220 Extra		120	105
2-Swing 200	210	115	100
2-Climb 200			
1-Climb 200	142	120	105
1-Climb 220 / 220 Extra	162		
2-Swing 220 / 220 Extra	230	120	105
2-Climb 220 / 220 Extra			

Ground Anchors Ltd. - POZ - 14/04/2023 - v1.1

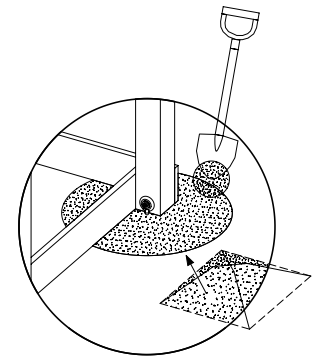


1.



2.

24h



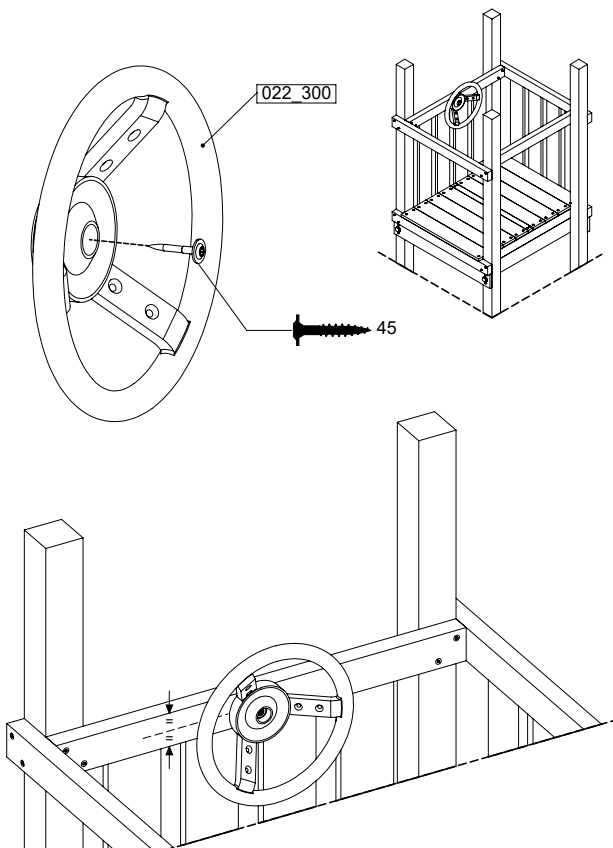
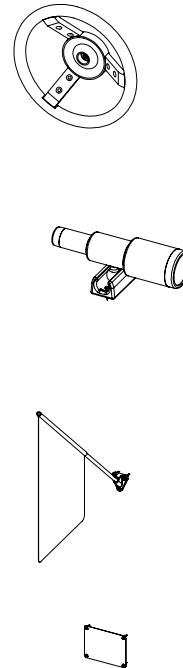
4.

# 18 AC01: Accessories

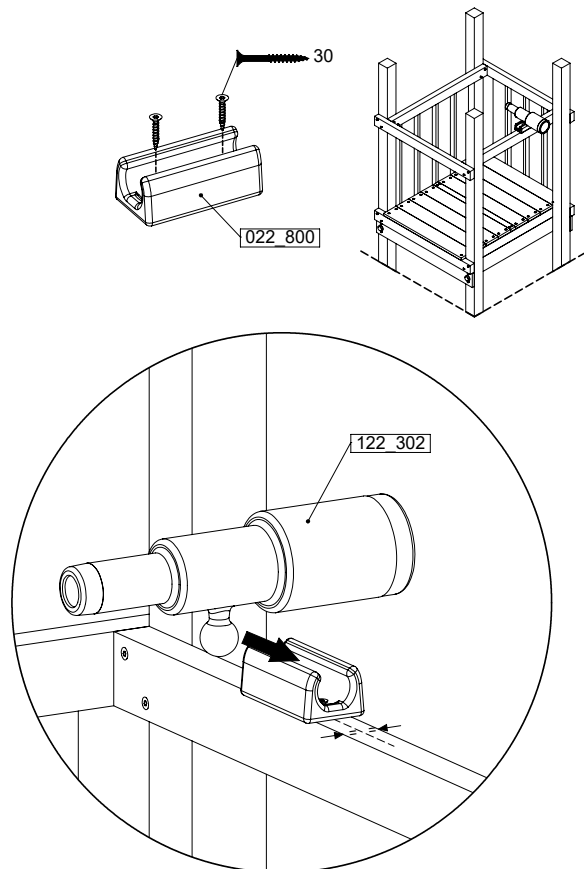
( 194\_119 )

	PartNo	PartName	QTY.
Hardware Pack 100_617	001_406	Stealth Screw 8x45	1
	002_041	Dome head screw 4.5 x 20 mm	3
	002_042	Dome head screw 3.5 x 13mm	4
	002_219	Gap Point Screw T25 - 5x30	2
Other	022_300	Steering Wheel	1
	022_800	Rail P/T 105	1
	022_910	Sandpad	1
	103_901	Logo ID Plate	1
	104_107	Tool Set Climbing Units	1
	120_024	Tower Flag	1
	122_302	Telescope	1

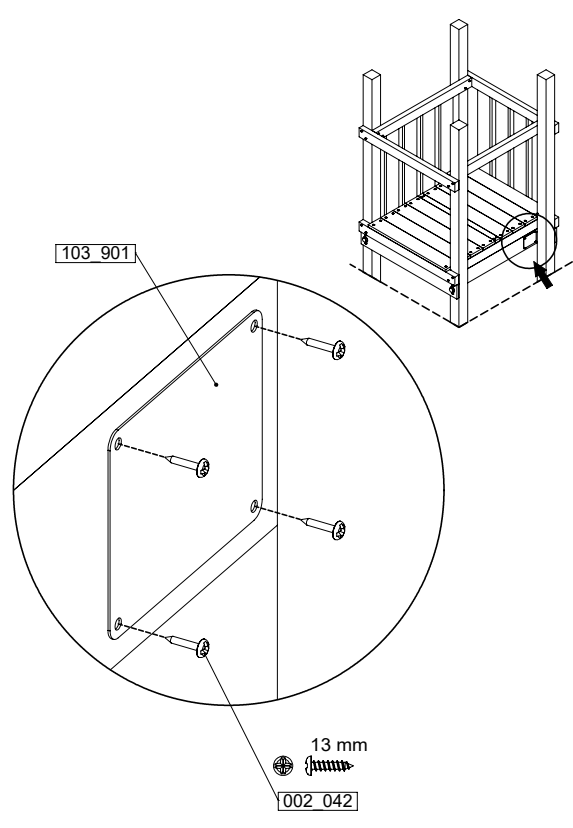
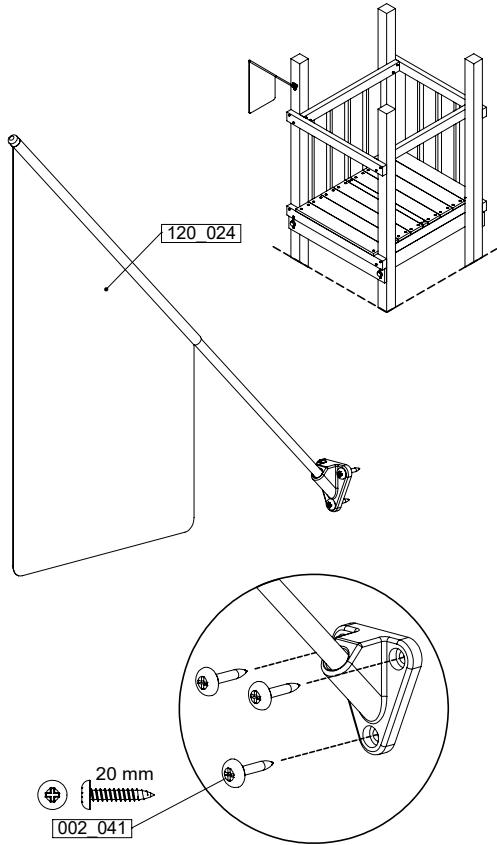
Accessory ref.: F02-230-2021 - V4



Accessory ref.: F03-250-2021 - V4



# 18.1



Accessories set - P04 - 2019-2021 - v4

# 19 Conformity: Declaration of Conformity

## Declaration of Conformity



### Manufacturer details

Company Name	Tag-line
Jungle Gym B.V.	Backyard Playgrounds
Address	
P.O. Box 75083, 1070 AB Amsterdam, Netherlands	

### Activity toys for domestic use

#### Product Range Identification

##### Construction Packages (Sub-Assembly)

Universal Packs / Base Towers / Extension Towers / Roofs / Means of Exit/Access / Add-ons : 790\_001 ... 794\_911

##### Assembly

Playtowers : 801_005 ... 200	Links : 870_100 ... 105	Accessories : 123_220 ... 250_075
Playhouses : 830_150 ... 253, 835_251 ... 253	Swings : 801_300, _600, _601	Slides (XL) : 324_100 ... 600
Modules : 850_180 ... 415		Slides (XXL) : 334_100 ... 600
: 857_103, 857_108	Playtowers : 802_202 ... 208	
: 857_151, 857_158	: 803_202 ... 210	
	: 809_202 ... 804	

### Applicable EC directives and standards

#### General

- General Product Safety Directive 2001/95/EG
- Reach directive 1907/2006
- AfPS GS 2019:01 PAK

#### Activity Toys

- Toy Safety Directive (2009/48/EG)
- EN 71 Safety of Toys
  - EN 71-1:2014 + A1:2018 Safety of toys Mechanical and physical properties
  - EN 71-2:2020 Flammability
  - EN 71-3:2019 + A1:2021 Migration of certain elements
  - EN 71-8:2018 Safety of toys Activity toys for domestic use

### Supplementary information

Conformity to the above specified directives and standards has been frequently verified by TÜV Rheinland LGA products, DEKRA, LNE SA, since 1994. Jungle Gym participates in the European Commission for standardisation for the safety of activity toys ( TC52 / WG 10).

### Declaration

I hereby declare under our sole responsibility that the products mentioned above, to which this declaration relates, complies with the above mentioned directives and standards.






























Name  
Mr. P. Schmit / Director

Issued date  
Januari 2<sup>nd</sup>, 2023


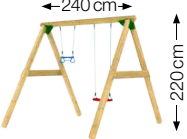

Signature of representative

# Construction Packages (Assembly)







## Playtowers

<p><b>S</b> Single</p>  <p><b>Jungle Tower</b> 801_200</p>	<p><b>S</b> Single</p>  <p><b>Jungle Patio</b> 802_202</p>	<p><b>S</b> Single</p>  <p><b>Jungle Cocoon</b> 802_204</p>	<p><b>S</b> Single</p>  <p><b>Jungle Cirque</b> 802_206</p>	<p><b>S</b> Single</p>  <p><b>Jungle Totem</b> 802_208</p>	<p><b>S</b> Duo</p>  <p><b>Jungle Nomad</b> 803_202</p>	<p><b>S</b> Duo</p>  <p><b>Jungle Safari</b> 803_204</p>
<p><b>S</b> Duo</p>  <p><b>Jungle Viking</b> 803_206</p>	<p><b>S</b> Duo</p>  <p><b>Jungle Teepee</b> 803_208</p>	<p><b>S</b> Duo</p>  <p><b>Jungle Resort</b> 803_210</p>	<p><b>S</b> Combo</p>  <p><b>Jungle Explorer</b> 809_802</p>	<p><b>S</b> Combo</p>  <p><b>Jungle Voyager</b> 809_804</p>	<p><b>M</b> Single</p>  <p><b>Jungle Castle</b> 801_120</p>	
<p><b>M</b> Single</p>  <p><b>Jungle Club</b> 801_110</p>	<p><b>M</b> Single</p>  <p><b>Jungle Casa</b> 801_105</p>	<p><b>M</b> Single</p>  <p><b>Jungle Home</b> 801_103</p>	<p><b>M</b> Single</p>  <p><b>Jungle Hut</b> 801_100</p>	<p><b>M</b> Single</p>  <p><b>Jungle House</b> 801_095</p>	<p><b>L</b> Single</p>  <p><b>Jungle Cottage</b> 801_090</p>	<p><b>L</b> Single</p>  <p><b>Jungle Cabin</b> 801_060</p>
<p><b>L</b> Single</p>  <p><b>Jungle Lodge</b> 801_040</p>	<p><b>L</b> Duo</p>  <p><b>Jungle Cubby</b> 801_070</p>	<p><b>L</b> Duo</p>  <p><b>Jungle Mansion</b> 801_009</p>	<p><b>XL</b> Single</p>  <p><b>Jungle Sierra</b> 801_025</p>	<p><b>XL</b> Single</p>  <p><b>Jungle Fort</b> 801_010</p>	<p><b>XL</b> Single</p>  <p><b>Jungle Chalet</b> 801_013</p>	<p><b>XL</b> Duo</p>  <p><b>Jungle Palace</b> 801_005</p>







## Swings

 <p><b>Jungle Peak</b> 801_300</p>
<p>←240 cm→</p>  <p><b>Jungle Swing</b> 801_601</p>
<p>←270 cm→</p>  <p><b>Jungle Swing</b> 801_602</p>


## Swing Module

 <p><b>1-Swing Module 200</b> 857_101</p>	 <p><b>2-Swing Module 200</b> 857_102</p>
 <p><b>1-Swing Module 220</b> 857_151</p>	 <p><b>2-Swing Module 220</b> 857_154</p>
 <p><b>1-Swing Module 220 Extra</b> 850_176</p>	 <p><b>2-Swing Module 220 Extra</b> 850_177</p>

## Climb Module

 <p><b>1-Climb Module 200</b> 857_105</p>	 <p><b>2-Climb Module 200</b> 857_106</p>
 <p><b>1-Climb Module 220</b> 857_157</p>	 <p><b>2-Climb Module 220</b> 857_158</p>
 <p><b>1-Climb Module 220 Extra</b> 850_231</p>	 <p><b>2-Climb Module 220 Extra</b> 850_232</p>

## Bridge Module

 <p><b>Bridge Module</b> 850_240</p>
---

# Construction Packages (Sub-Assembly)

## Base Towers (BT)



**Small BT**  
790\_001  
790\_002  
790\_003



**Medium BT**  
792\_002  
792\_003



**Large BT**  
794\_001

## Extension Towers (ET)



**Small ET**  
790\_101  
790\_102



**Medium ET**  
792\_101  
792\_102  
792\_103  
792\_104  
792\_105  
792\_106

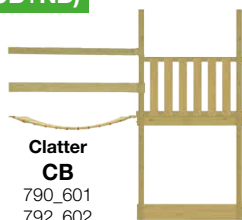


**Large ET**  
792\_107 792\_113 794\_107  
792\_108 792\_114 794\_108  
792\_109 794\_102 794\_109  
792\_110 794\_103  
792\_111 794\_104  
792\_112 794\_105

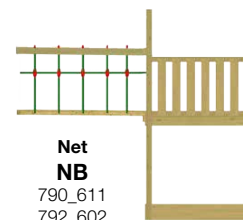


**Small ET**  
794\_110

## Modules Bridges (CB+NB)



**Clatter CB**  
790\_601  
792\_602  
794\_602



**Net NB**  
790\_611  
792\_602  
794\_602

## Modules Swings (SM)



**1-Swing Module 200 SM**  
857\_101



**2-Swing Module 200 SM**  
857\_102



**1-Swing Module 220 SM**  
857\_151



**2-Swing Module 220 SM**  
857\_152



**1-Swing Module 220 Extra SM**  
850\_176



**2-Swing Module 220 Extra SM**  
850\_177

## Modules Climbs (CM)



**1-Climb Module 200 CM**  
857\_105



**2-Climb Module 200 CM**  
857\_106



**1-Climb Module 220 CM**  
857\_157



**2-Climb Module 220 CM**  
857\_158



**1-Climb Module 220 Extra CM**  
850\_231



**2-Climb Module 220 Extra CM**  
850\_232



# Construction Packages (Sub-Assembly)

## Roofs (RF)



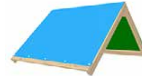
**Tipi  
RF**  
790\_203



**Gable  
RF**  
790\_202



**Pyramid  
RF**  
790\_205



**Angle 90°  
RF**  
792\_201



**Angle 120°  
RF**  
792\_206 (=115)  
794\_204 (=140)



**Tipi  
RF**  
790\_204



**Clapboard  
RF**  
790\_201



**Lookout  
RF**  
790\_206



**Angle 90°  
RF**  
792\_202 (=115)  
794\_202 (=140)



**Angle 120°  
RF**  
792\_203 (=115)  
794\_203 (=140)

## Balustrade (BA/PH)



**Balustrade panel  
BA**  
790\_301  
792\_301  
794\_301  
794\_302



**Hide panel  
PH**  
790\_311  
792\_311  
794\_311



**Wall panel  
PH**  
790\_313  
792\_313  
794\_313



**Roof panel  
PH**  
792\_314  
794\_314

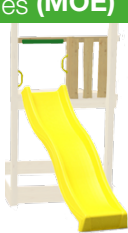


**Window panel  
PH**  
792\_202 (L)  
794\_202 (L)  
792\_203 (R)  
794\_203 (R)

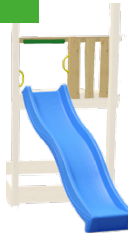


**Door panel  
PH**  
792\_204 (L)  
794\_204 (L)  
792\_205 (R)  
794\_205 (R)

## Slides (MOE)



**Slide Yellow  
SL**  
324\_100  
334\_100  
790\_901  
792\_901  
794\_901



**Slide Blue  
SL**  
324\_200  
334\_200  
790\_901  
792\_901  
794\_901



**Slide Green  
SL**  
324\_300  
334\_300  
790\_901  
792\_901  
794\_901



**Slide Red  
SL**  
324\_400  
334\_400  
790\_901  
792\_901  
794\_901



**Slide Fuchsia  
SL**  
324\_500  
334\_500  
790\_901  
792\_901  
794\_901

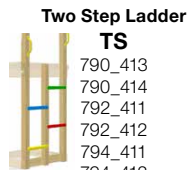


**Slide Dark Green  
SL**  
324\_600  
334\_600  
790\_901  
792\_901  
794\_901

## Means of access (MOA)



**Ladder  
LA**  
790\_433  
790\_434  
792\_431  
792\_432  
794\_431  
794\_432



**Two Step Ladder  
TS**  
790\_413  
790\_414  
792\_411  
792\_412  
794\_411  
794\_412  
794\_413  
794\_414



**Rope ladder  
RL**  
790\_421  
792\_421  
792\_422  
794\_421



**Rock wall  
RW**  
790\_403  
790\_404  
792\_401  
792\_402  
794\_401  
794\_402

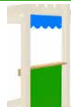


**Hamp  
RA**  
790\_441  
792\_441  
794\_441



**FMP Exit  
FP**  
790\_903  
792\_911  
794\_911

## Add-ons (ADD)



**Market  
MT**  
790\_502  
792\_502  
794\_502



**Boat front  
BO**  
790\_501



**Picnic  
PC**  
790\_503



**Picnic  
PC**  
792\_503  
794\_503

## Universal Pack (AC)

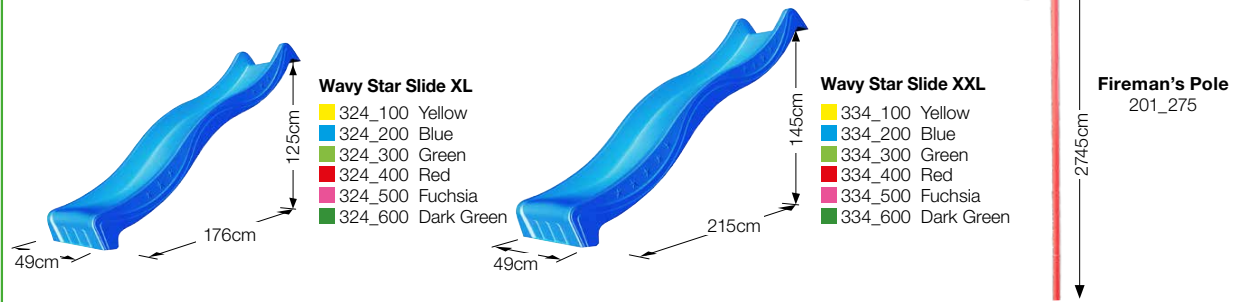


**Accessory set**  
194\_119



# Accessories

## Slides



## Climbing



## Imagination



## Swinging



## Functional



## Components

