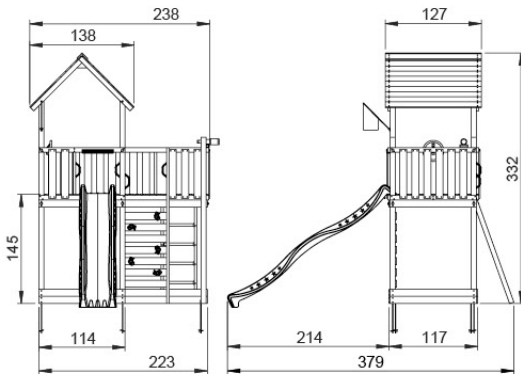
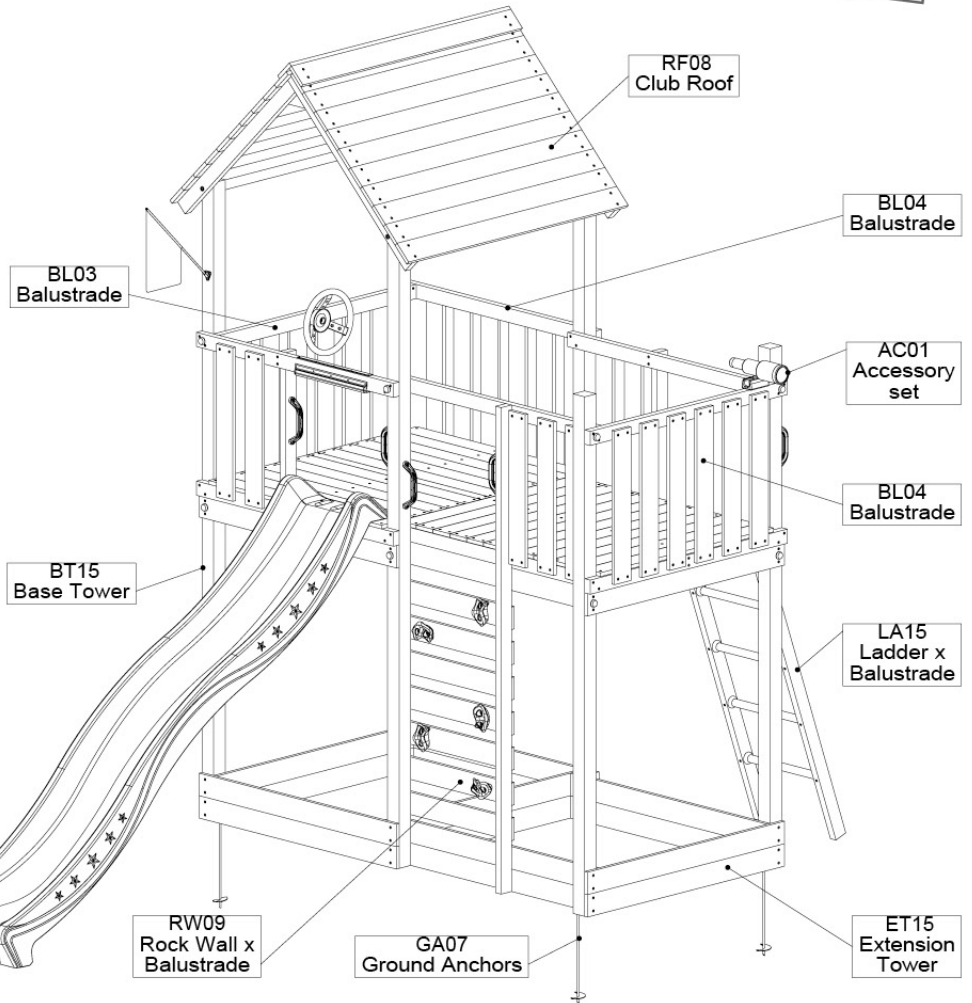
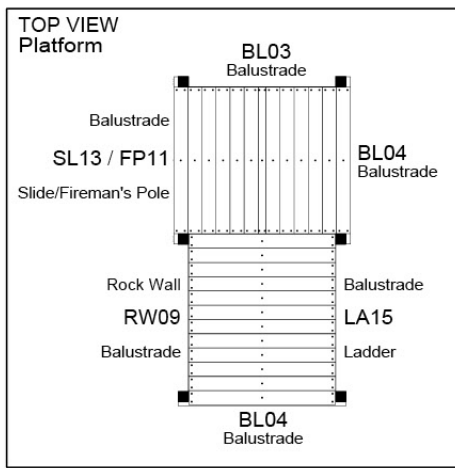
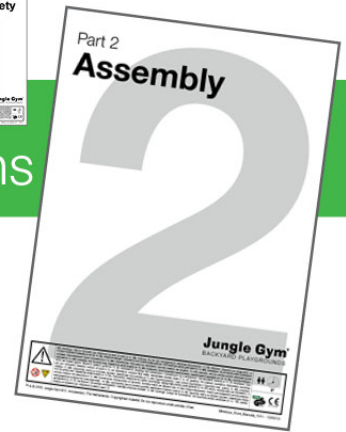


Assembly

Jungle Mansion 2.1

801_009



Jungle Gym

BACKYARD PLAYGROUNDS

since 1988



EN. Warnings. Only for domestic use. Maximum number of users is 9. **DE.** Achtung. Nur für den Hausgebrauch. Maximale Benutzerzahl: 9. **FR.** Attention. Réserve à un usage familial. Le nombre maximal d'utilisateurs est de 9. **NL.** Waarschuwingen. Uitsluitend voor huishoudelijk gebruik. Het maximale aantal gebruikers is 9. **BG.** Внимание. За употреба само в домашни условия. Максималният брой потребители е 9. **CS.** Varování. Jen pro domácí použití. Maximální počet uživatelů je 9. **DA.** Advarsel. Kun til privat brug. Maksimum antal brugere er 9. **EL.** Προειδοποίηση. Μόνο για οικιακή χρήση. Μέγιστος αριθμός χρηστών 9. **ES.** Advertencias. Solo para uso doméstico. Número máximo de usuarios: 9. **ET.** Hoiatused. Ainult koduseks kasutamiseks. Maksimaalne kasutajate arv on 9. **FI.** Varoitukset. Ainoastaan kotikäyttöön. Käyttäjää yhteensä enintään 9. **HR.** Upozorenja. Samo za kućansku uporabu. Maksimalan broj korisnika je 9. **HU.** Figyelmeztetések. Csak otthoni használatra! A használók max. száma: 9. **IS.** Varnaðarorð. Eingöngu fyrir einkanoðkun í heimahúsum og á einkalóðum. Hámarksfjöldi notenda er 9. **IT.** Avvertenze. Solo per uso domestico. Massimo numero di utenti è 9. **LT.** Įspėjimai. Tik buitnam naudojimui. Maksimalus naudotojų skaičius 9. **LV.** Brīdinājumi. Izmantoj tikai mājās. Maksimālais lietotāju skaits ir 9. **NO.** Advarsel. Kun for privat bruk. Maksimalt antall brukere er 9. **PL.** Ostrzeżenia. Wyłącznie do użytku domowego. Maksymalna liczba użytkowników to 9. **PT.** Avisos. Apenas para uso doméstico. O número máximo de utilizadores é 9. **RO.** Avertismente. Numai pentru uz domestic. Numărul maxim de utilizatori este 9. **RU.** Предостережения. Только для домашнего использования. Максимальное количество пользователей - 9. **SK.** Upozornenia. Iba na domáce použitie. Maximálne množstvo osôb je 9. **SL.** Opozorila. Samo za domačo uporabo. Maksimalno število uporabnikov je 9. **SR.** Upozorenja. Samo za kućnu upotrebu. Maksimalan broj korisnika je 9. **SV.** Varningar. Endast för hemmabruk. Det maximala antalet användare är 9. **TR.** Uyarılar. Sadece ev kullanımı için. Maksimum kullanıcı sayısı 9.



01 What's in the Delivery?

401_080 + 457_005

<p>1x 040_805 1x 040_910</p>	<p>1x 022_300</p>	<p>1x 122_302 1x 022_800</p>	<p>1x 120_024 1x 103_901</p>	<p>3x 120_102 2x 022_920 4x 001_404</p>
<p>1x 123_200</p>	<p>4x 005_03x 8x 022_835</p>	<p>2x 005_522</p>	<p>1x 022_910</p>	<p>1x 100_030 100_155</p>
<p>1x 104_107</p>	<p>4x 007_001</p>	<p>5x 022_50x</p>	<p>1x 201_275 1x 334_x00</p> <p>FMP / Slide</p>	

02 Hardware

Total HWP 100_030 + 100_155 Jungle Mansion 2.1

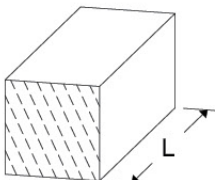
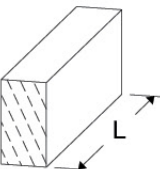
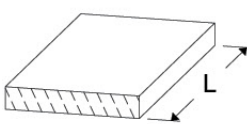
20220222

001_102	10x		M8 x 30mm	000_101	10x		ø2 x 20mm
001_417	12x		ø8 x 80mm	003_010	10x		M8x14.2mm
001_411	4x		ø8 x 60mm	004_050	10x		M8 x 22mm
001_406	13x		ø8 x 45mm	120_005	16x		M8
001_404	4x		ø8 x 30mm				
002_223	90x		ø5 x 80mm				
002_220	518x		ø5 x 45mm				
002_219	6x		ø5 x 30mm				
002_308	2x		ø5.0 x 20mm				
002_041	3x		ø4.5 x 20mm				
002_042	4x		ø3.5 x 13mm				

03 Timber

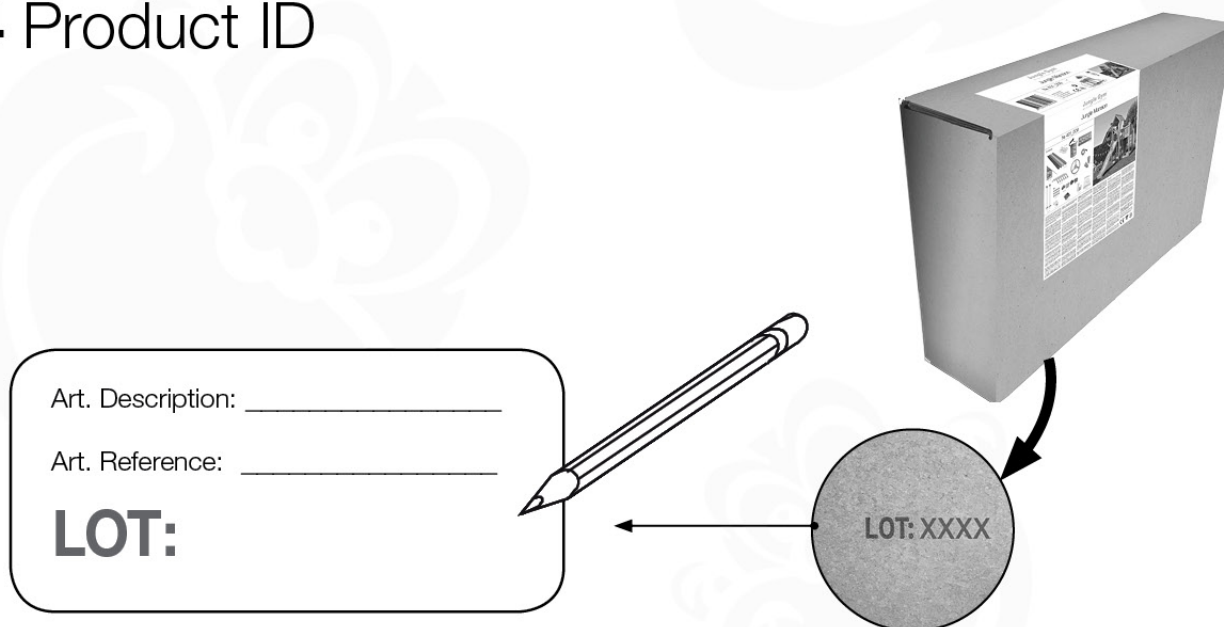
601_011 Timber pack Jungle Mansion 2.1

L

A 	A270	269cm - 270cm	4x
	A220	219cm - 220cm	2x
C 	C206	205cm - 206cm	1x
	C150	149cm - 150cm	2x
	C114	113cm - 114cm	15x
	C96	95cm - 96cm	2x
	C90	89cm - 90cm	2x
	C70	69cm - 70cm	2x
D 	D127	126cm - 127cm	24x
	D114	113cm - 114cm	21x
	D100	99cm - 100cm	28x
	D65	64cm - 65cm	33x

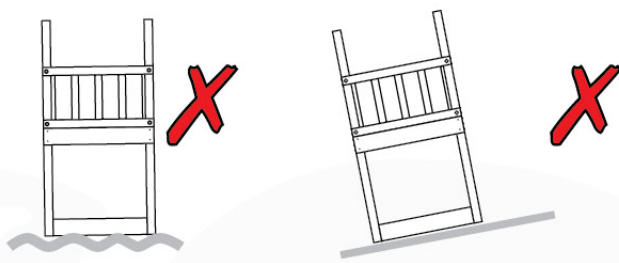
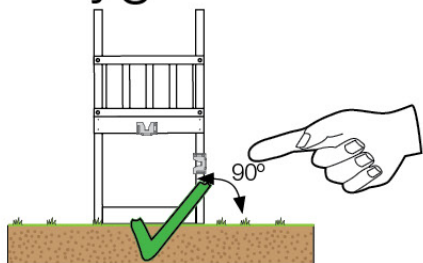
21-Oct-2021

04 Product ID

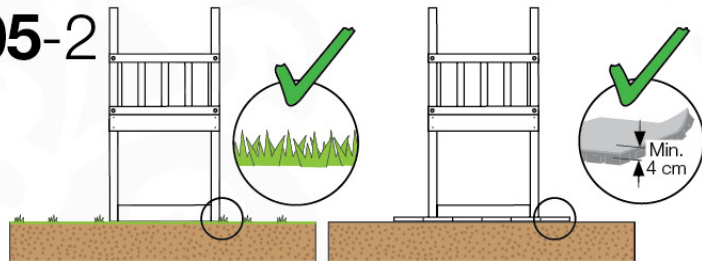


05 Safe Playground Planning

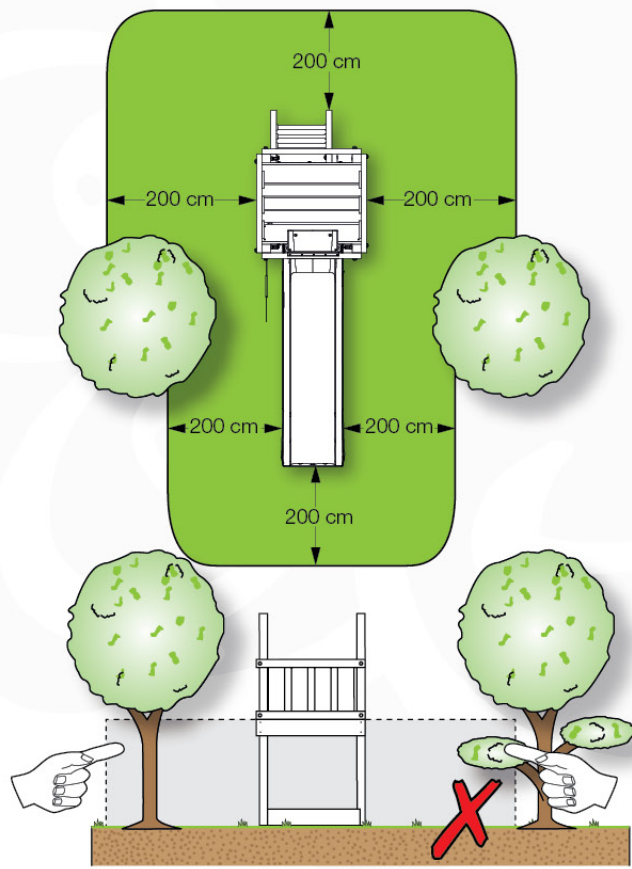
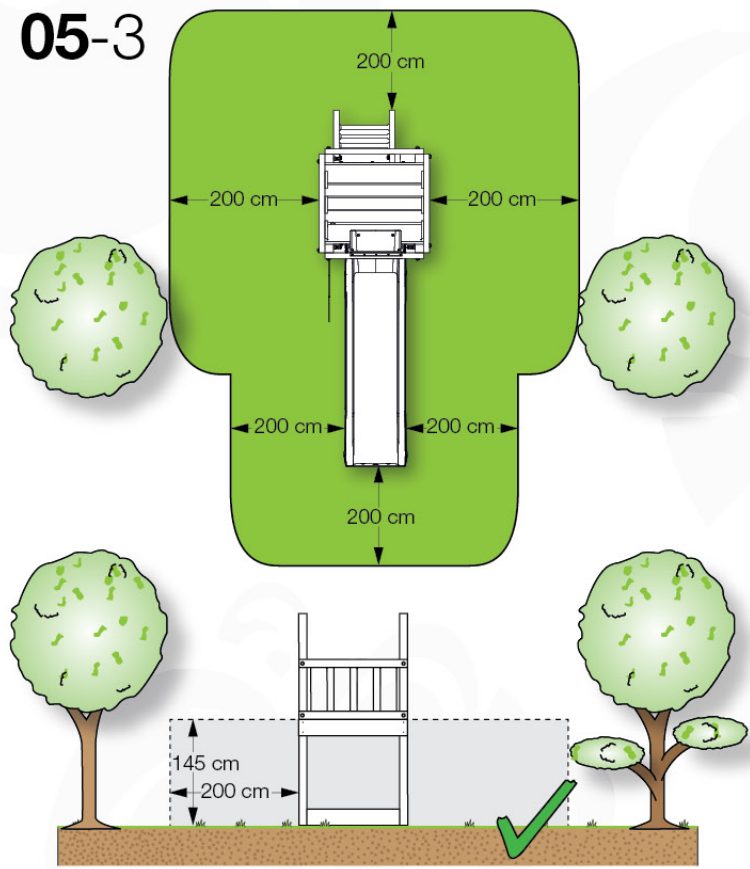
05-1



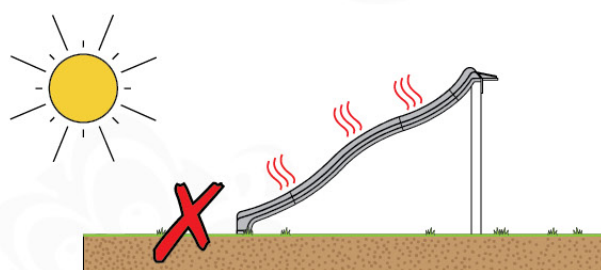
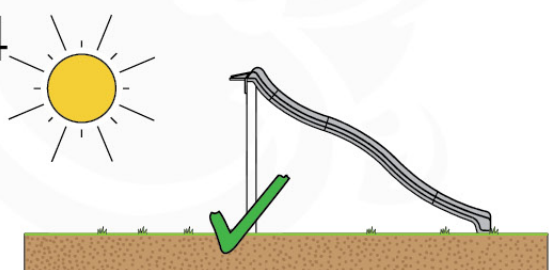
05-2



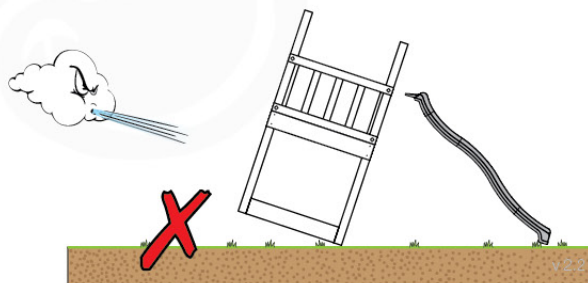
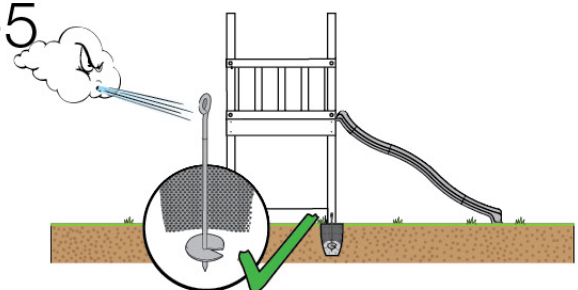
05-3



05-4

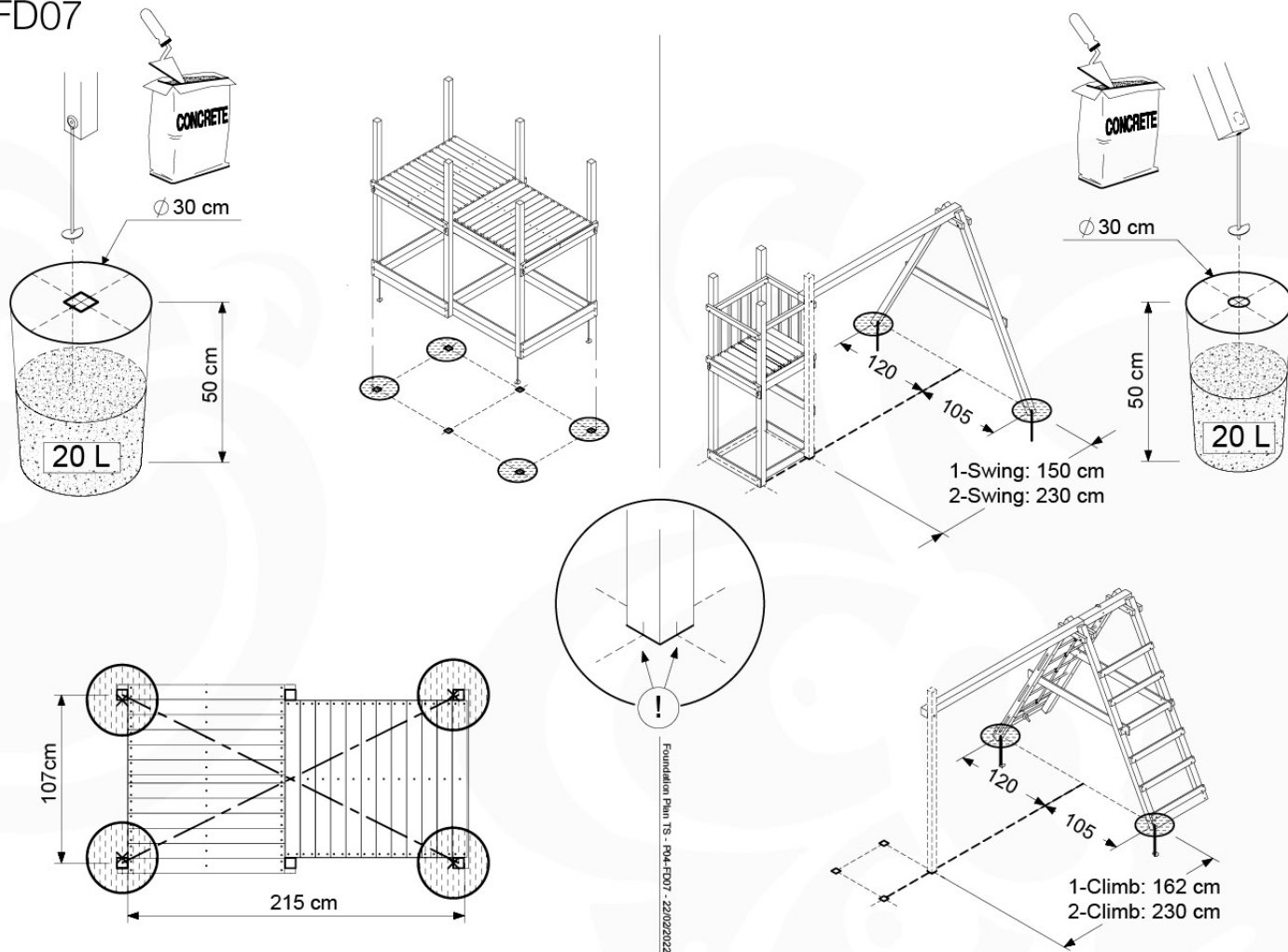


05-5



06 Playground Foundation

FD07

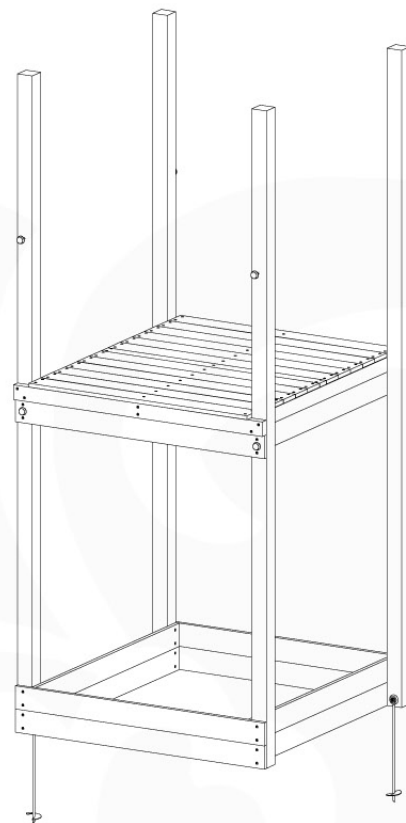


07 Base Tower

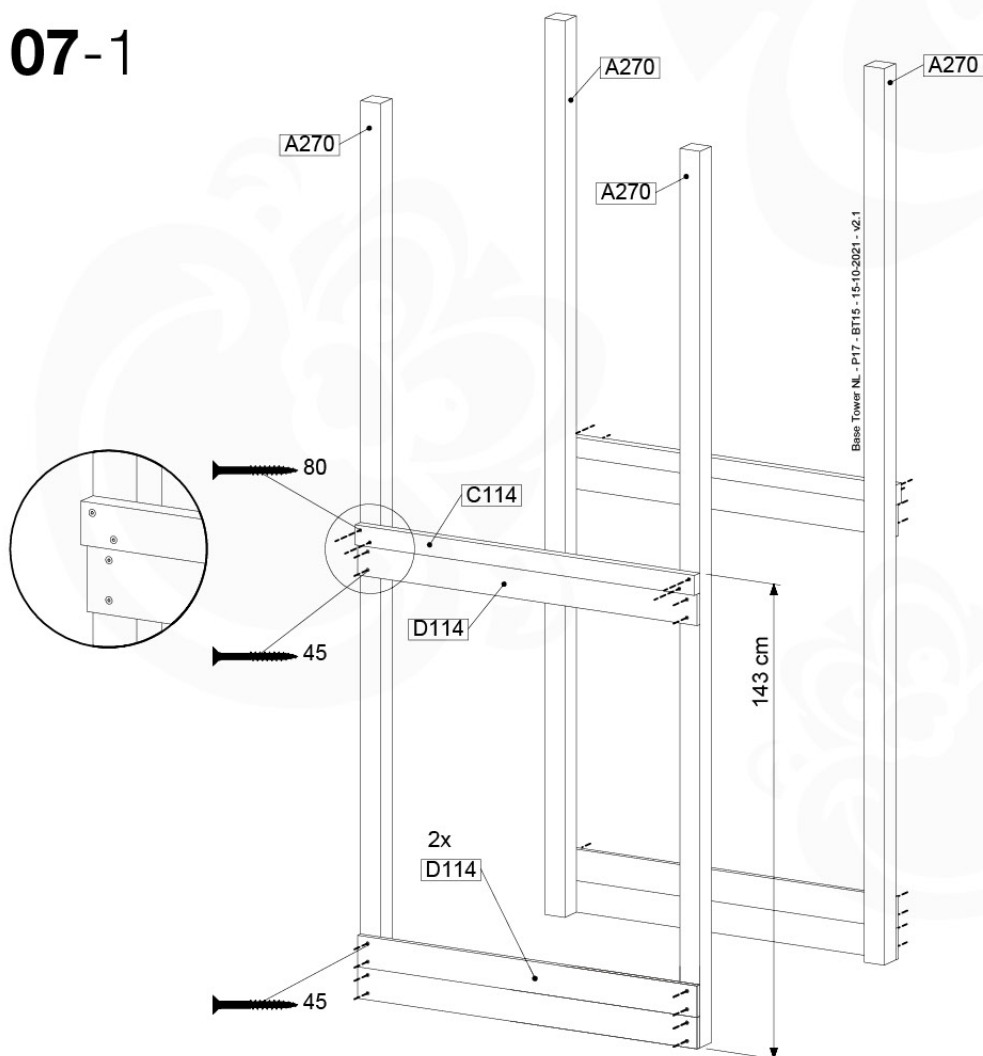
BT15

	PartNo	PartName	QTY.
Hardware Pack	001_406	Stealth Screw 8x45	6
	001_417	Stealth Screw 8x80	4
	002_220	Gap Point Screw T25 - 5x45	118
	002_223	Gap Point Screw T25 - 5x80	20
	022_31x	bpc-base version 3	8
	022_84x	bpc cover	8
Other	007_001	Ground-anchor	2
Timber	A270	Post 70x70 L2700	4
	C114	Beam 1140 mm	5
	D100	Board 1000 mm	14
	D114	Board 1140 mm	12

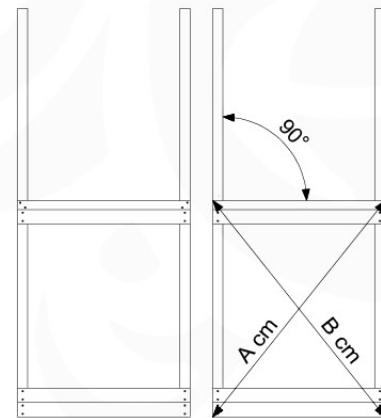
Base Tower NL - P09 - BT15 - 15-10-2021 - v2.1



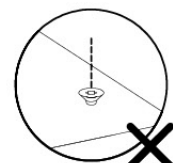
07-1



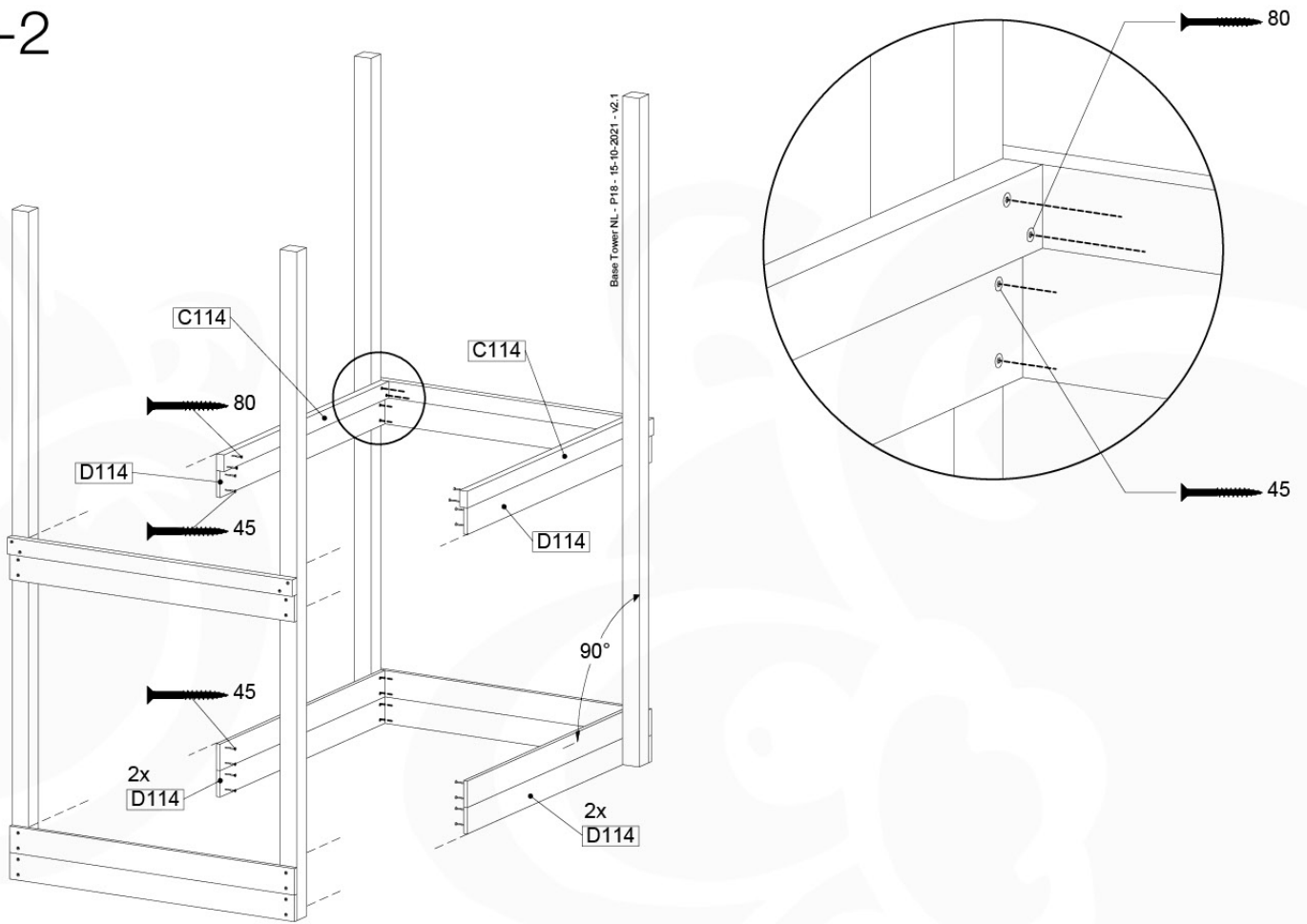
Base Tower NL - P17 - BT15 - 15-10-2021 - v2.1



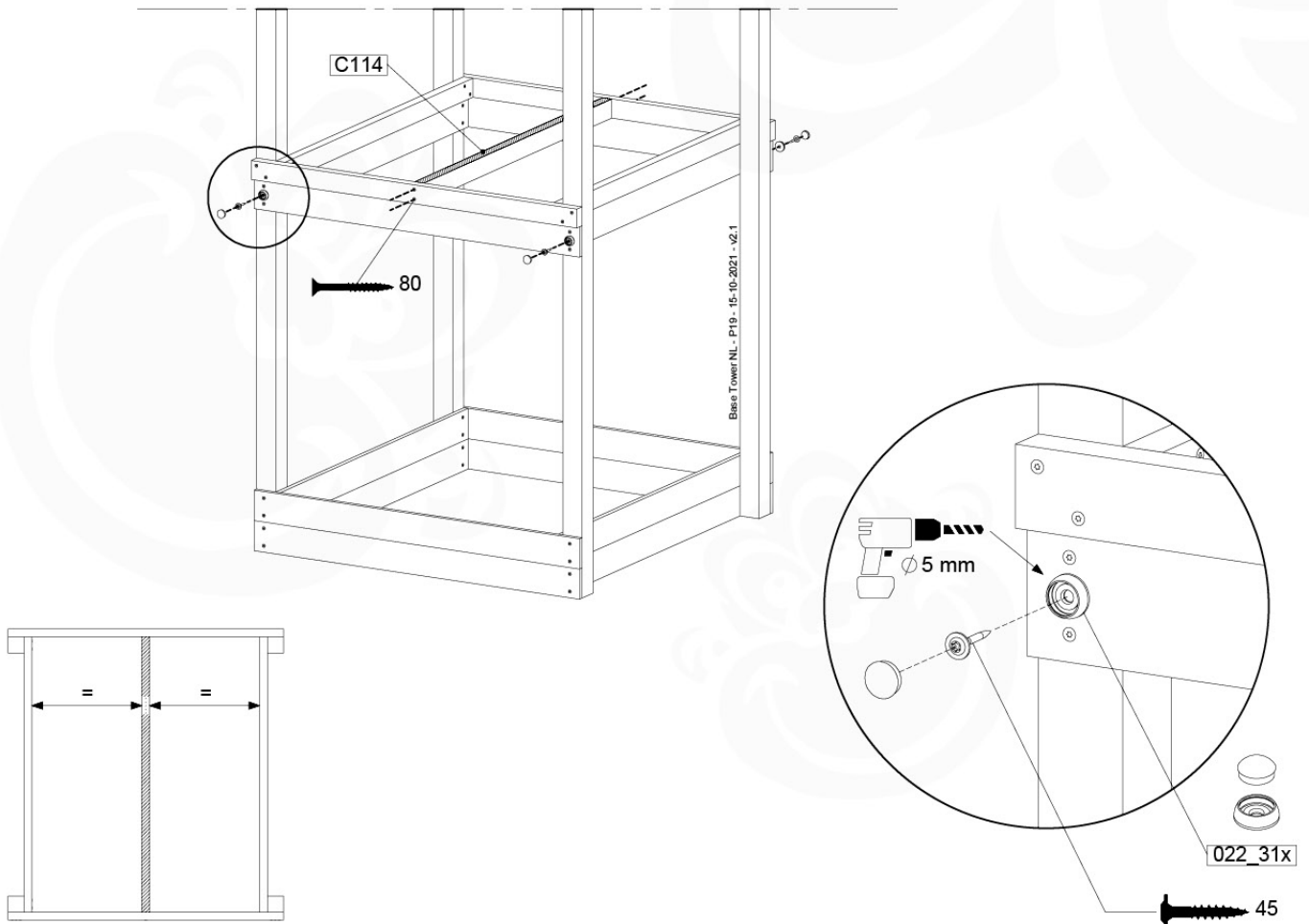
1 cm
A = B



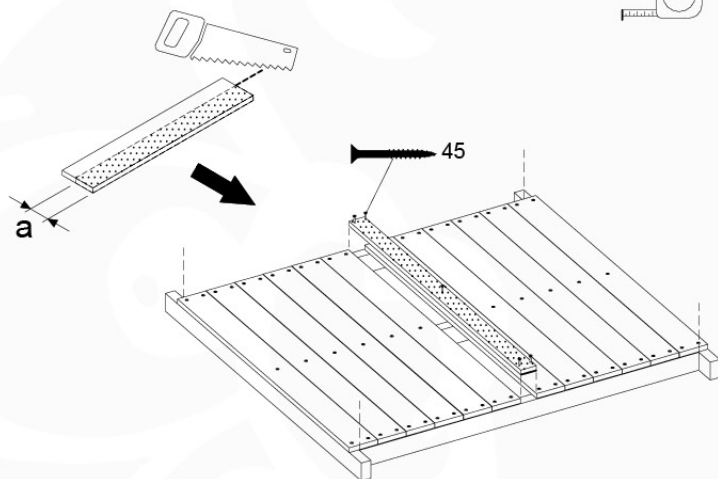
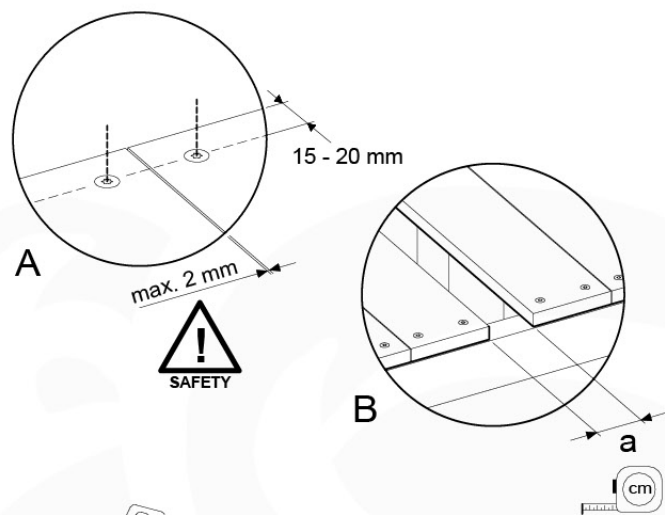
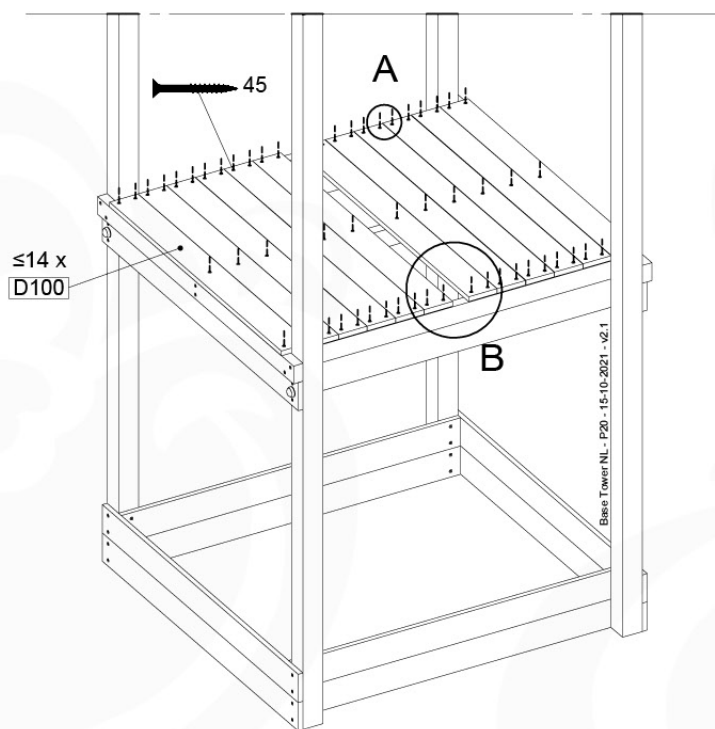
07-2



07-3



07-4

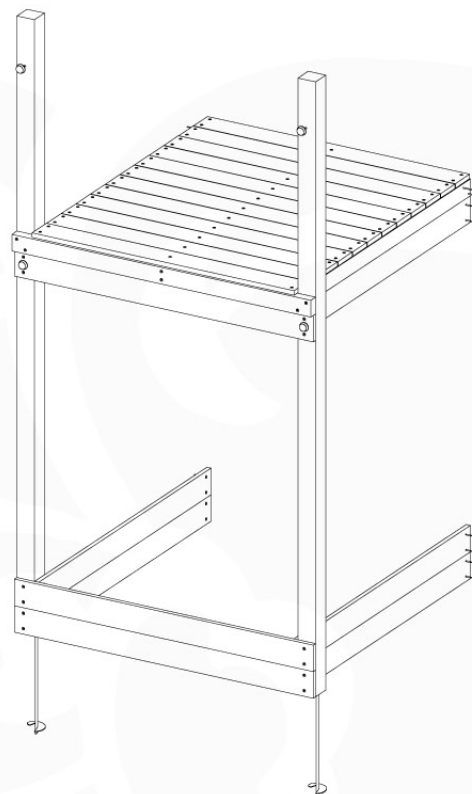


08 Extended Tower

ET15

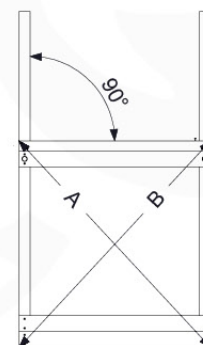
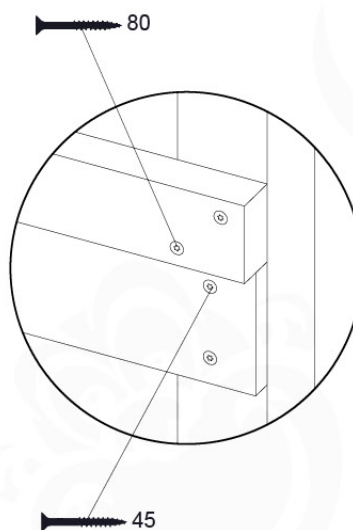
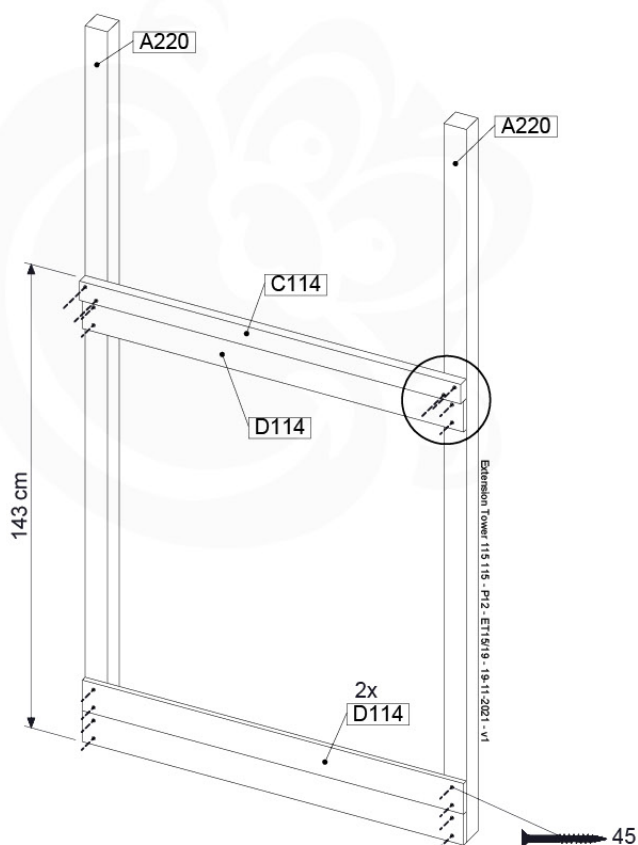
	PartNo	PartName	QTY.
Hardware pack	001_406	Stealth Screw 8x45	4
	001_417	Stealth Screw 8x80	2
	002_220	Gap Point Screw T25 - 5x45	106
	002_223	Gap Point Screw T25 - 5x80	16
Other	007_001	Ground-anchor	2
	022_31x	bpc-base version 3	4
	022_84x	bpc cover	4
Timber	A220	Post 70x70 L2200	2
	C114	Beam 1140 mm	4
	D100	Board 1000 mm	14
	D114	Board 1140 mm	9

Extension Tower 115 115 - P04 - ET15 - 19-11-2021 - v1



08-Extended Tower ET15

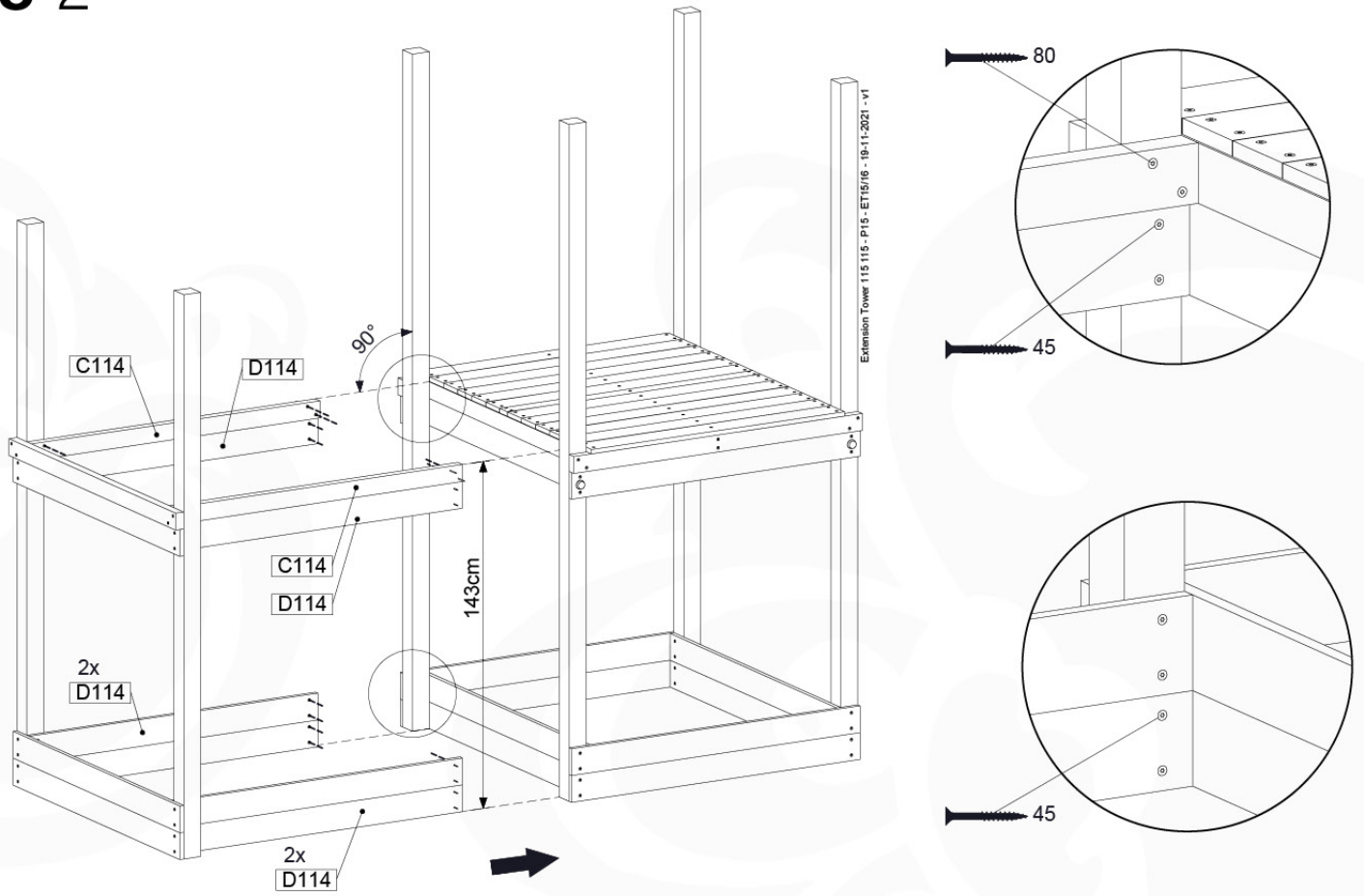
08-1



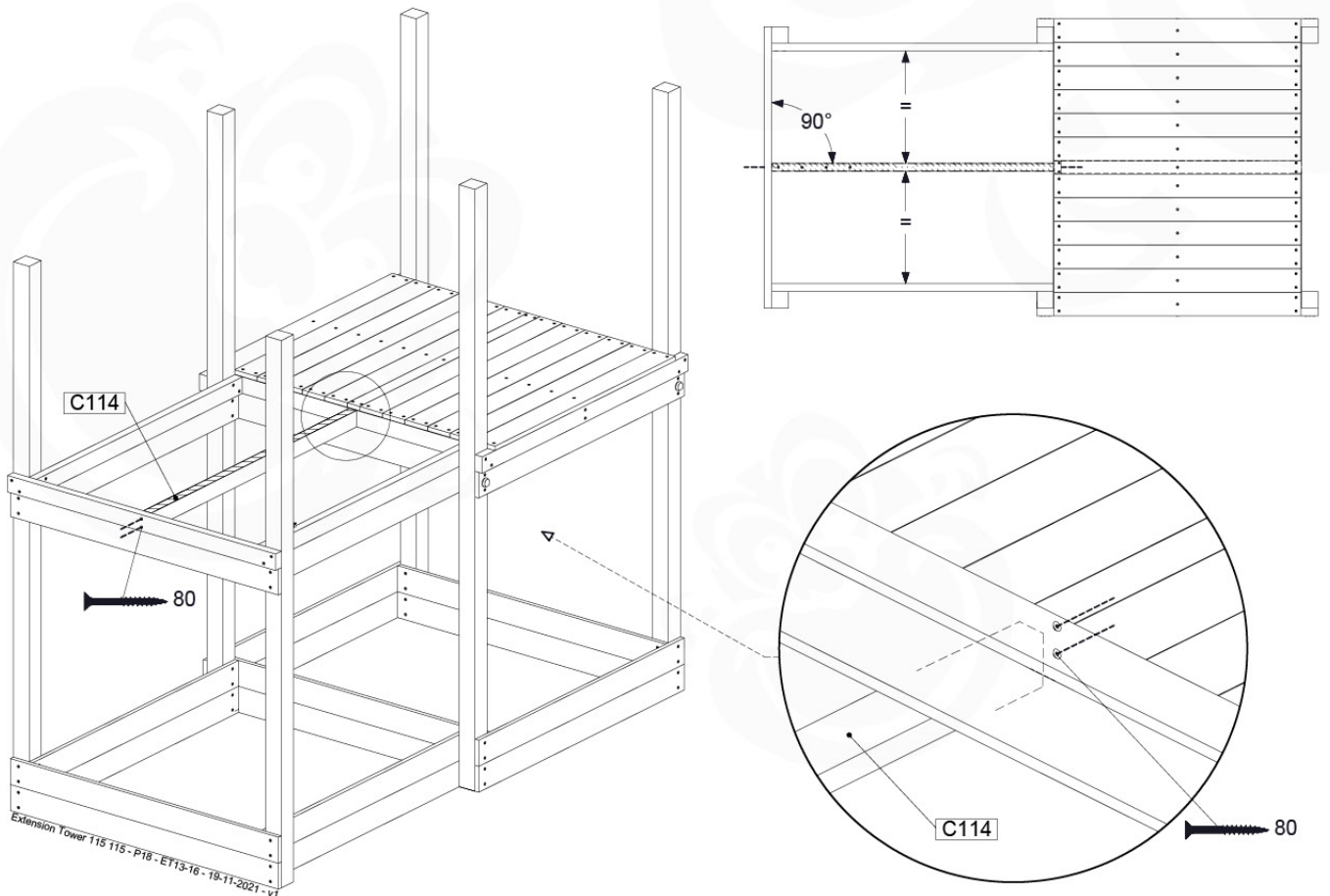
A = B



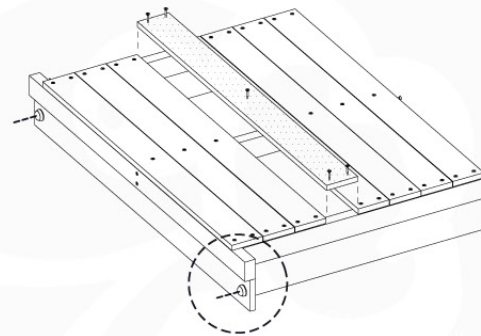
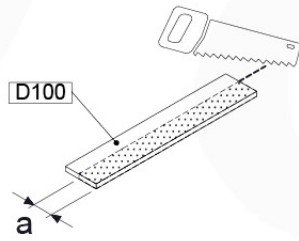
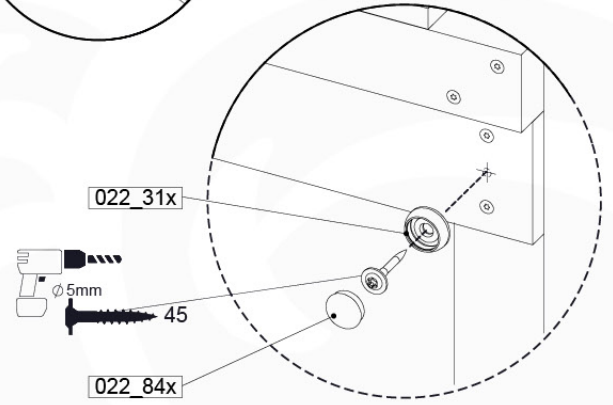
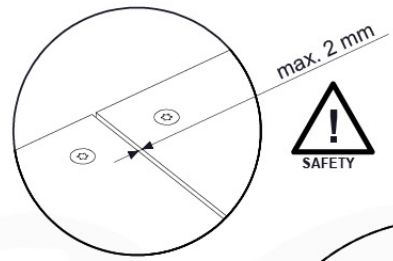
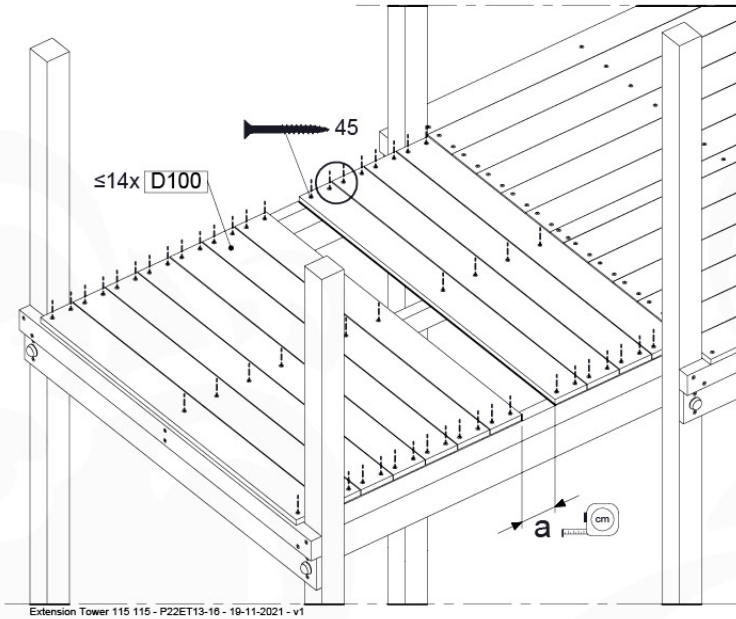
08-2



08-3

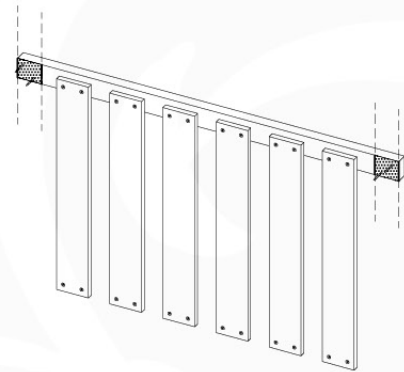


08-4



09 Balustrade (1x)

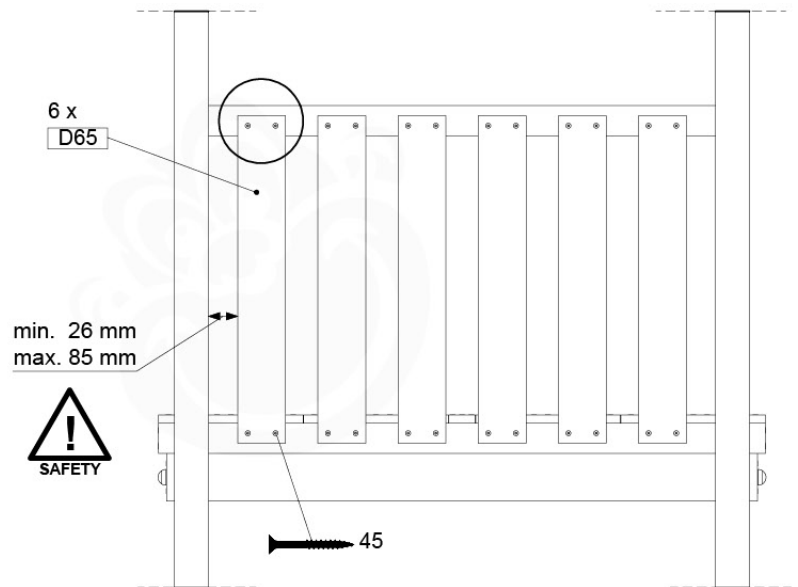
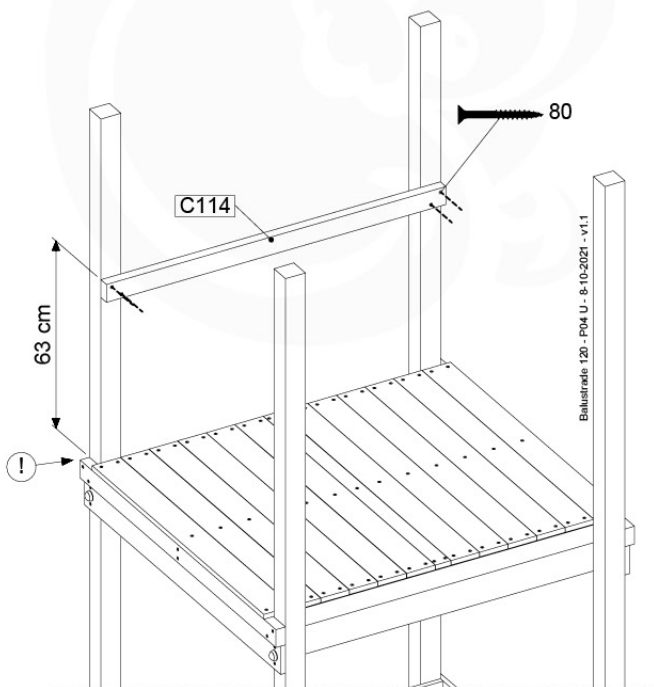
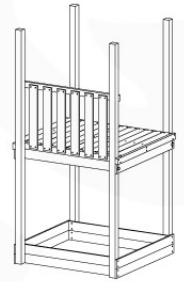
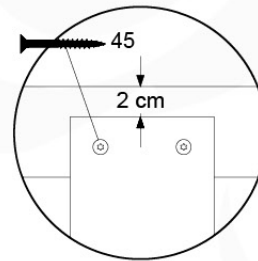
BL03



	PartNo	PartName	QTY.
Hardware Pack	002_220	Gap Point Screw T25 - 5x45	24
	002_223	Gap Point Screw T25 - 5x80	4
Timber	C114	Beam 1140 mm	1
	D65	Board 650 mm	6

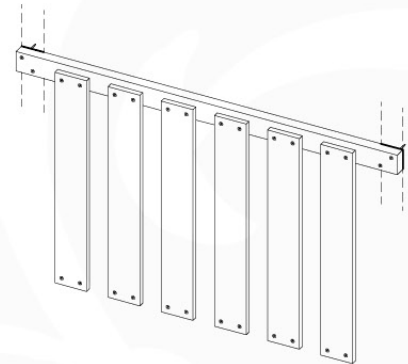
Balustrade 120 - P04 U - 8-10-2021 - v1.1

09-1



10 Balustrade (2x)

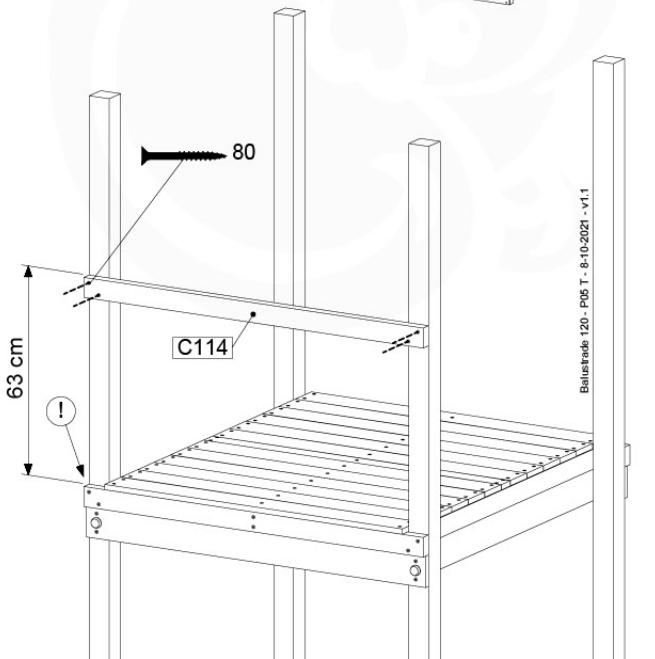
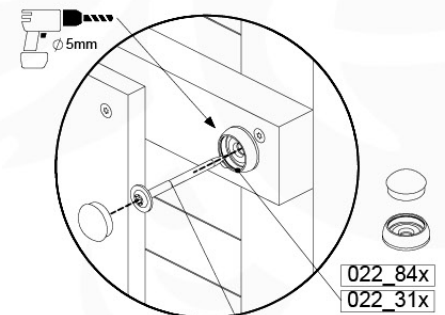
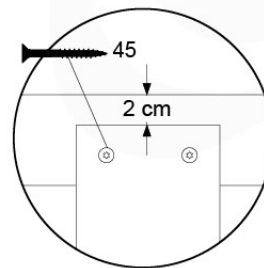
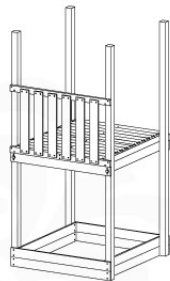
BL04



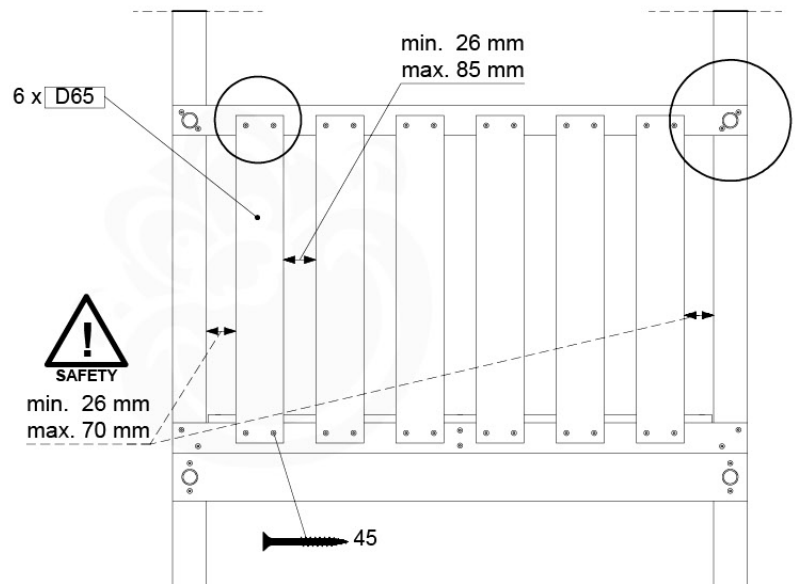
	PartNo	PartName	QTY.
Hardware Pack	002_220	Gap Point Screw T25 - 5x45	24
	002_223	Gap Point Screw T25 - 5x80	4
Timber	C114	Beam 1140 mm	1
	D65	Board 650 mm	6

Balustrade 120 - P03 T - 8-10-2021 - v1.1

10-1



Balustrade 120 - P06 T - 8-10-2021 - v1.1



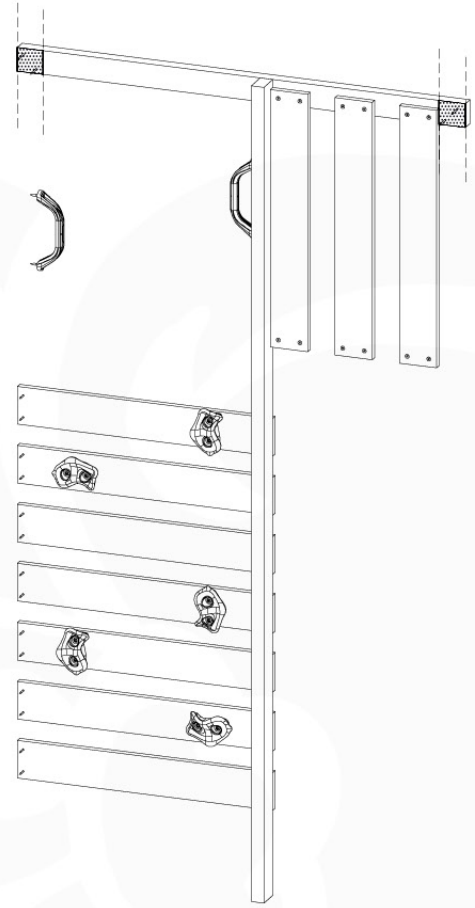
min. 26 mm
max. 70 mm

11 Rock Wall

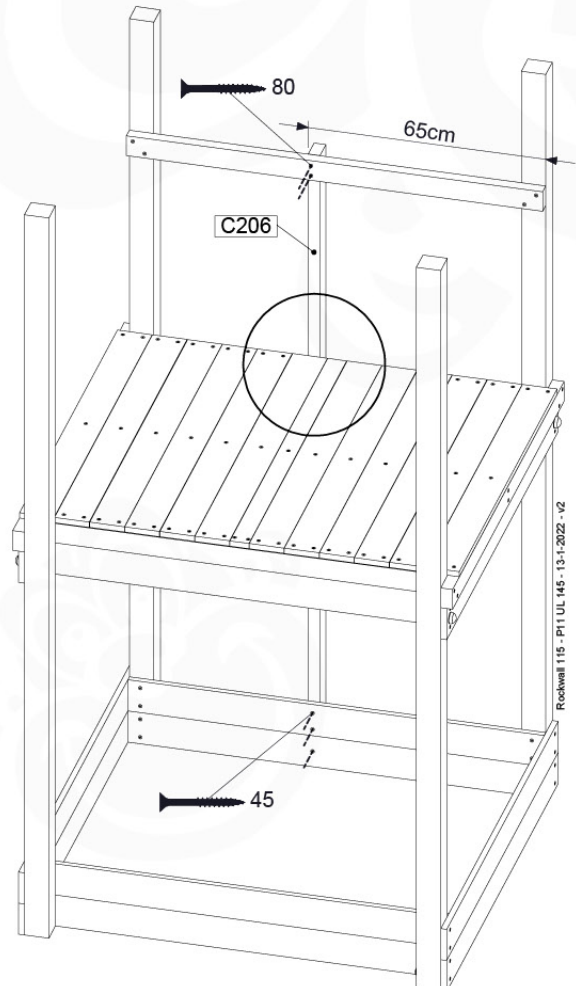
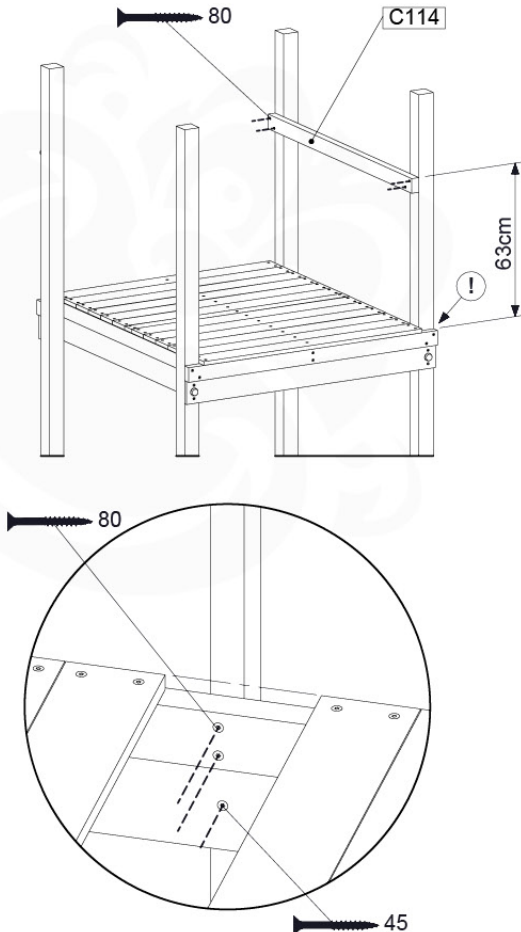
RW09

	PartNo	PartName	QTY.
Hardware Pack	001_102	Washer Head Screw T40 M8x30	10
	002_220	Gap Point Screw T25 - 5x45	44
	002_223	Gap Point Screw T25 - 5x80	8
	003_010	M8 spring lock washer	10
	004_050	M8 22mm Drive in Nut	10
Other	022_50x	Climbing Rock	5
	120_102	Handgrip set (complete 2x)	1
Timber	C114	Beam 1140 mm	1
	C206	Beam 2060 mm	1
	D65	Board 650 mm	10

Rockwall 115 - P04 UL 145 - 13-1-2022 - v2

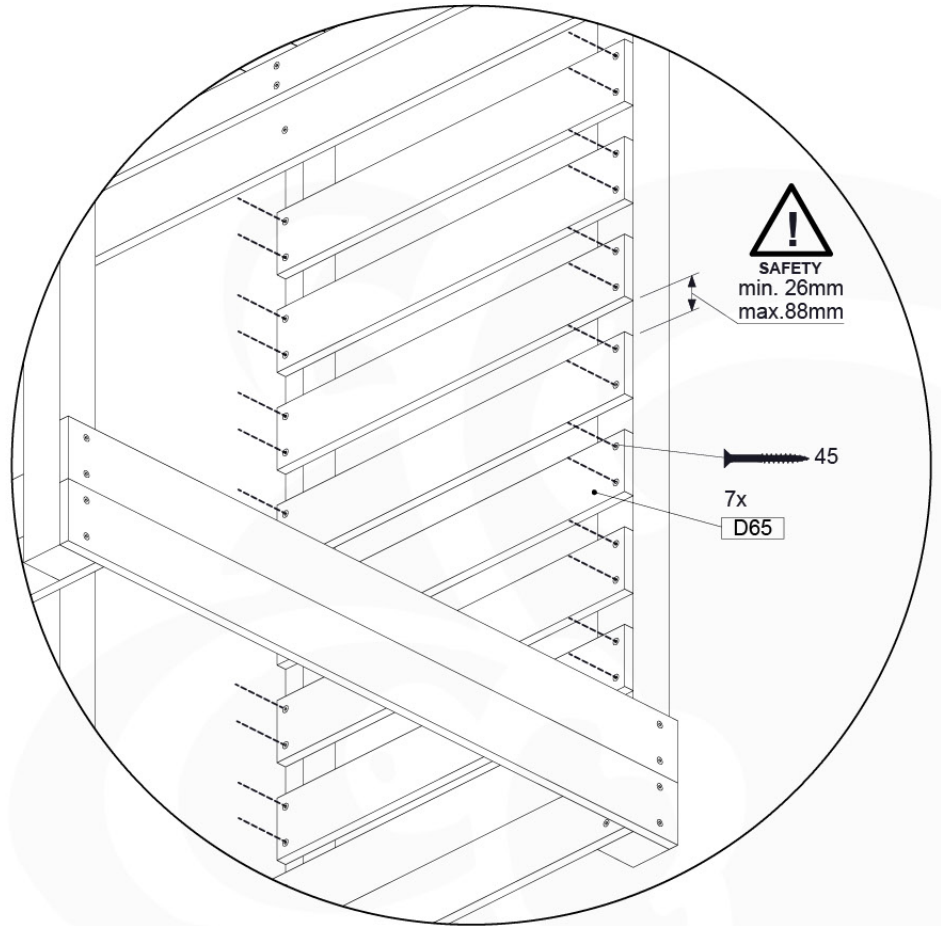
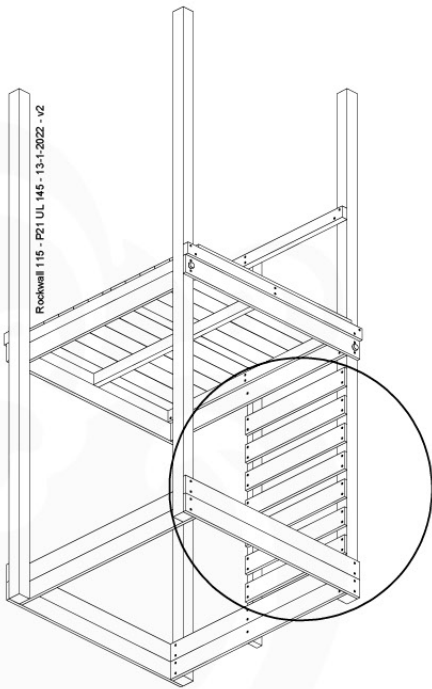


11-1

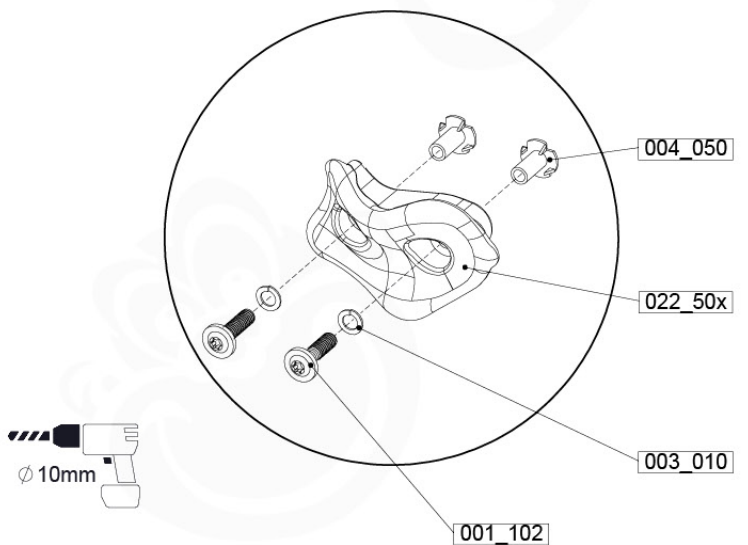
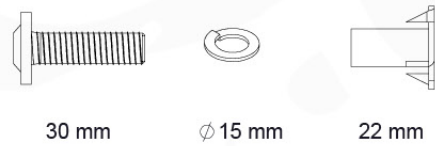
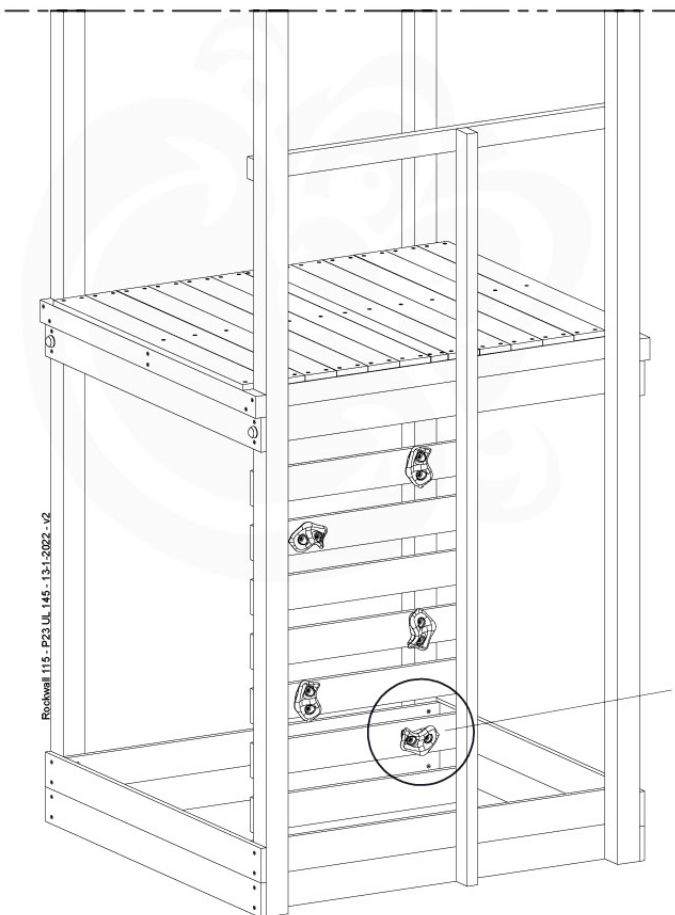


Rockwall 115 - P11 UL 145 - 13-1-2022 - v2

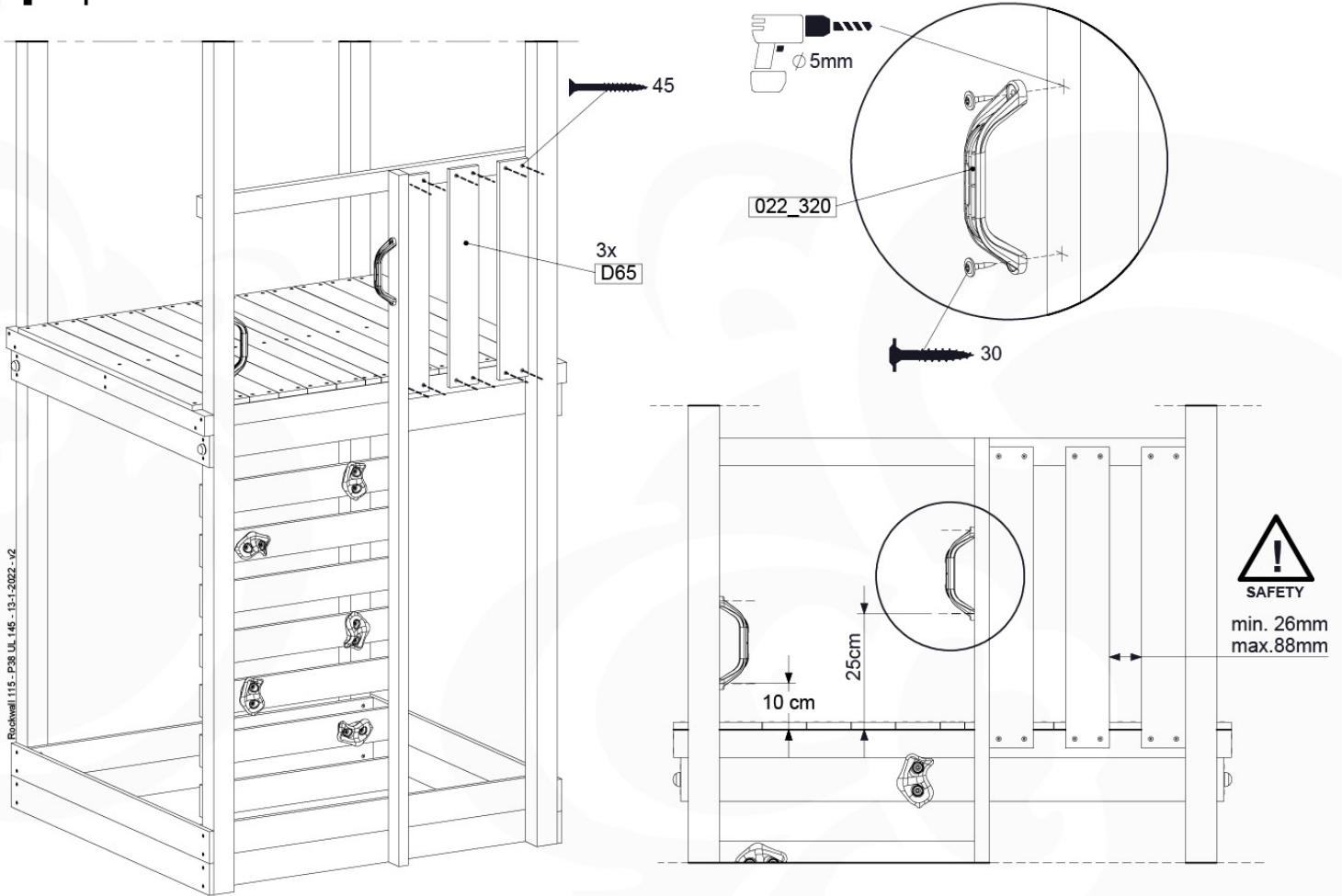
11-2



11-3

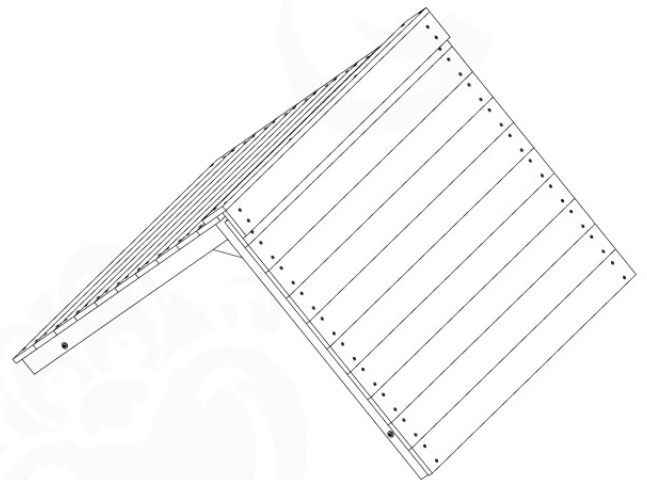


11-4



12 Roof

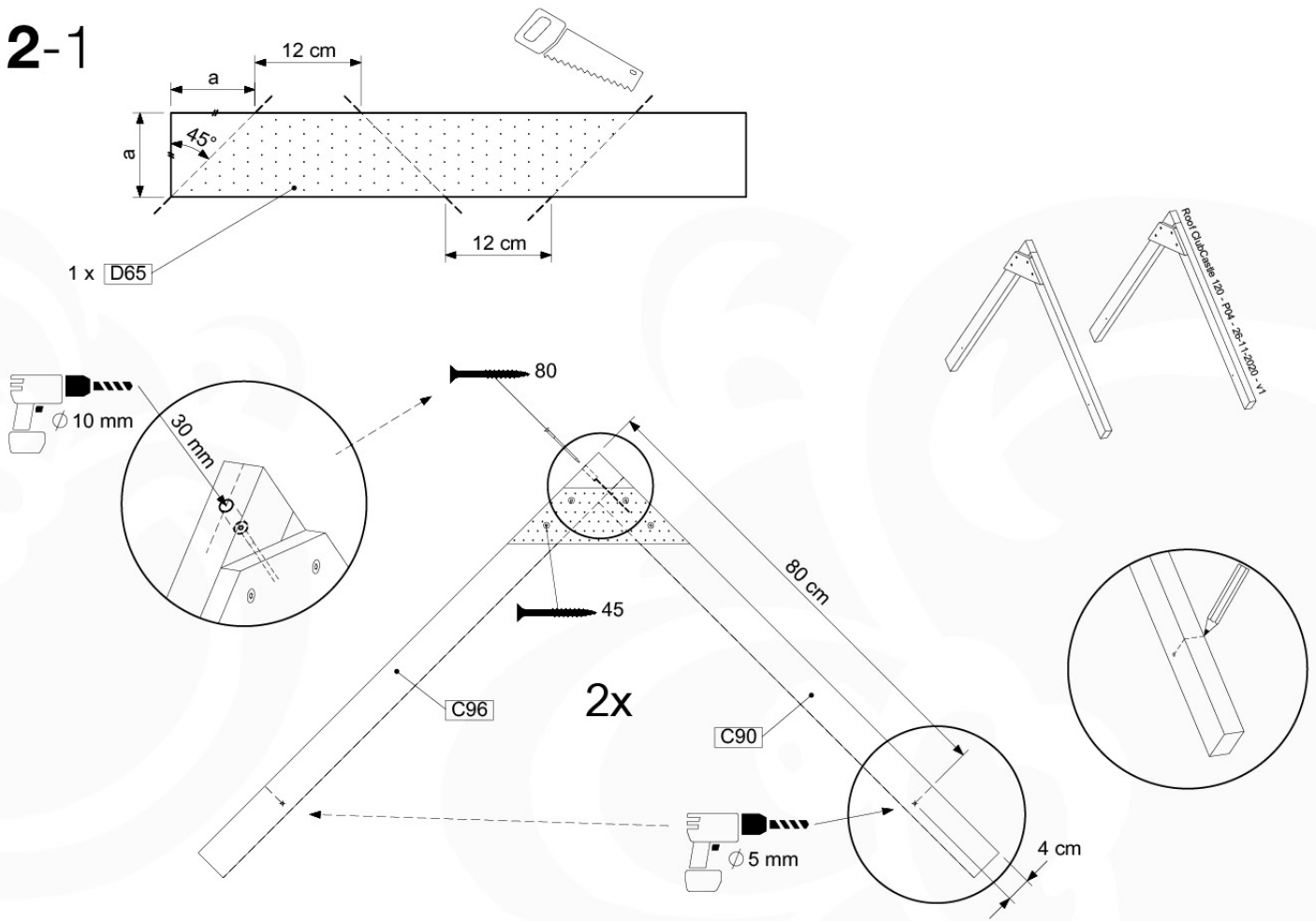
RF08



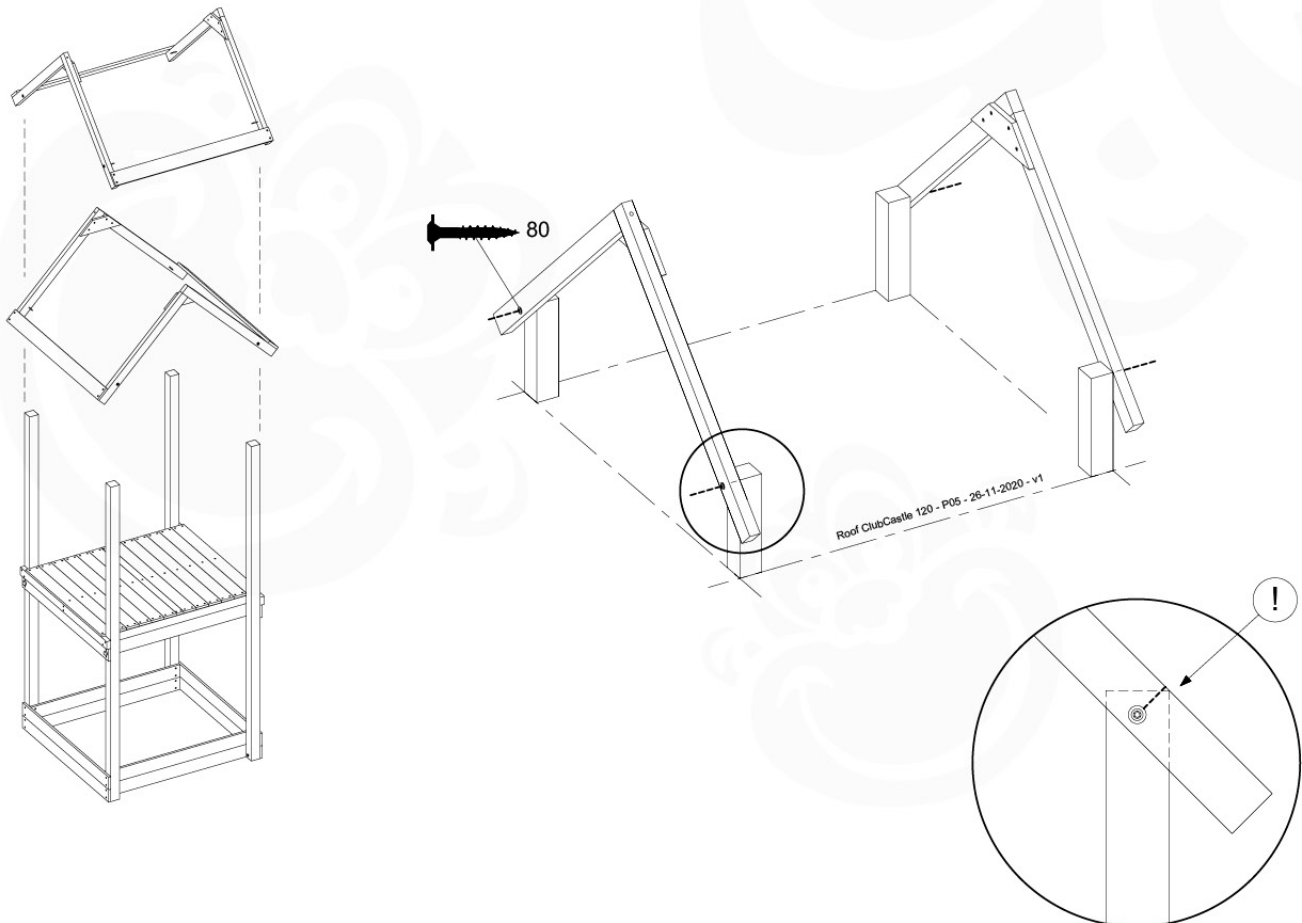
	PartNo	PartName	QTY.
Hardware Pack	001_417	Stealth Screw 8x80	4
	002_220	Gap Point Screw T25 - 5x45	100
	002_223	Gap Point Screw T25 - 5x80	8
Timber	C90	Beam 900 mm	2
	C96	Beam L=(900+beamheight) mm	2
	D65	Board 650 mm	1
	D127	Board 1270 mm	18-24

Roof ClouCastle 120 - P08 - RF08 - 26-11-2020 - v1

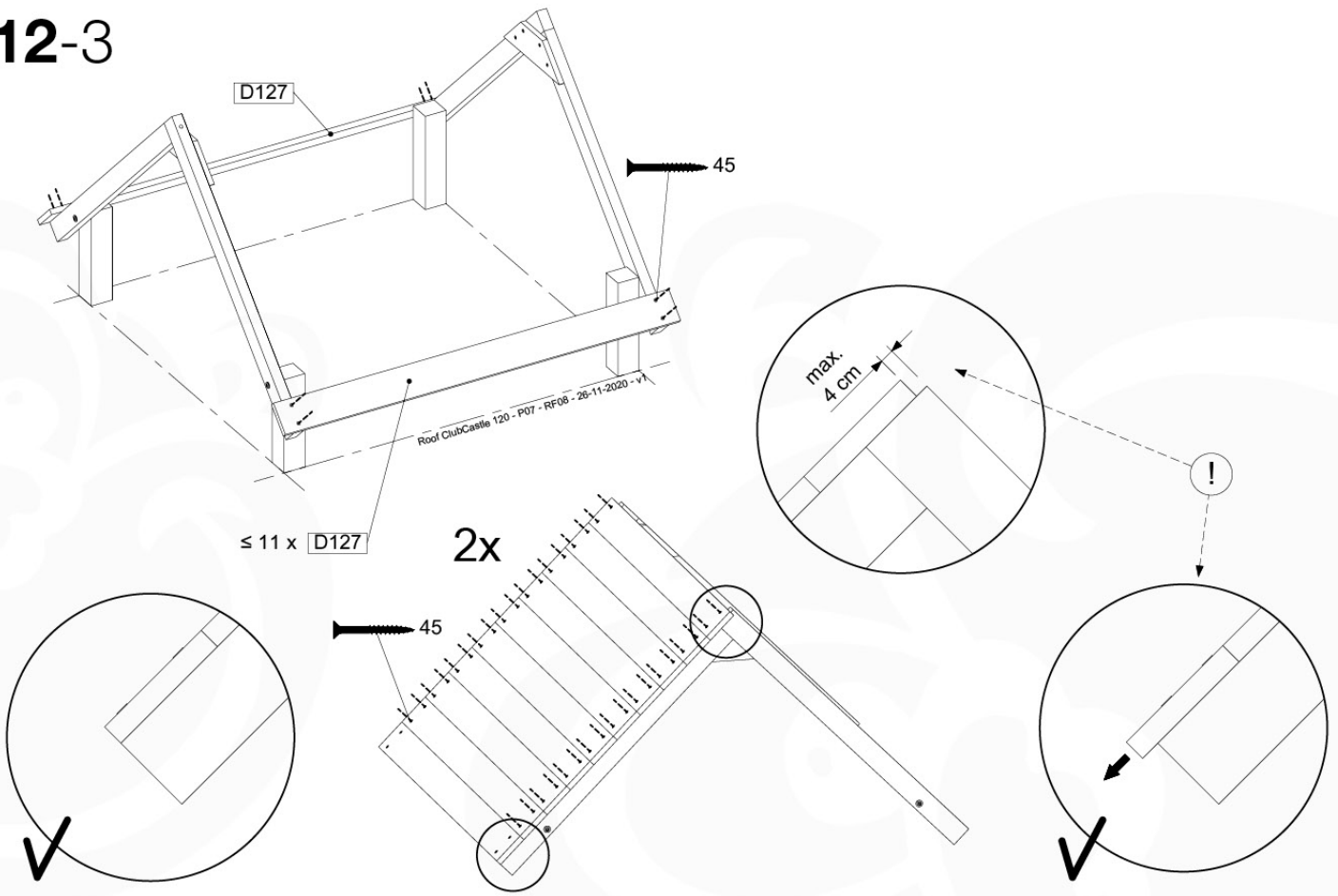
12-1



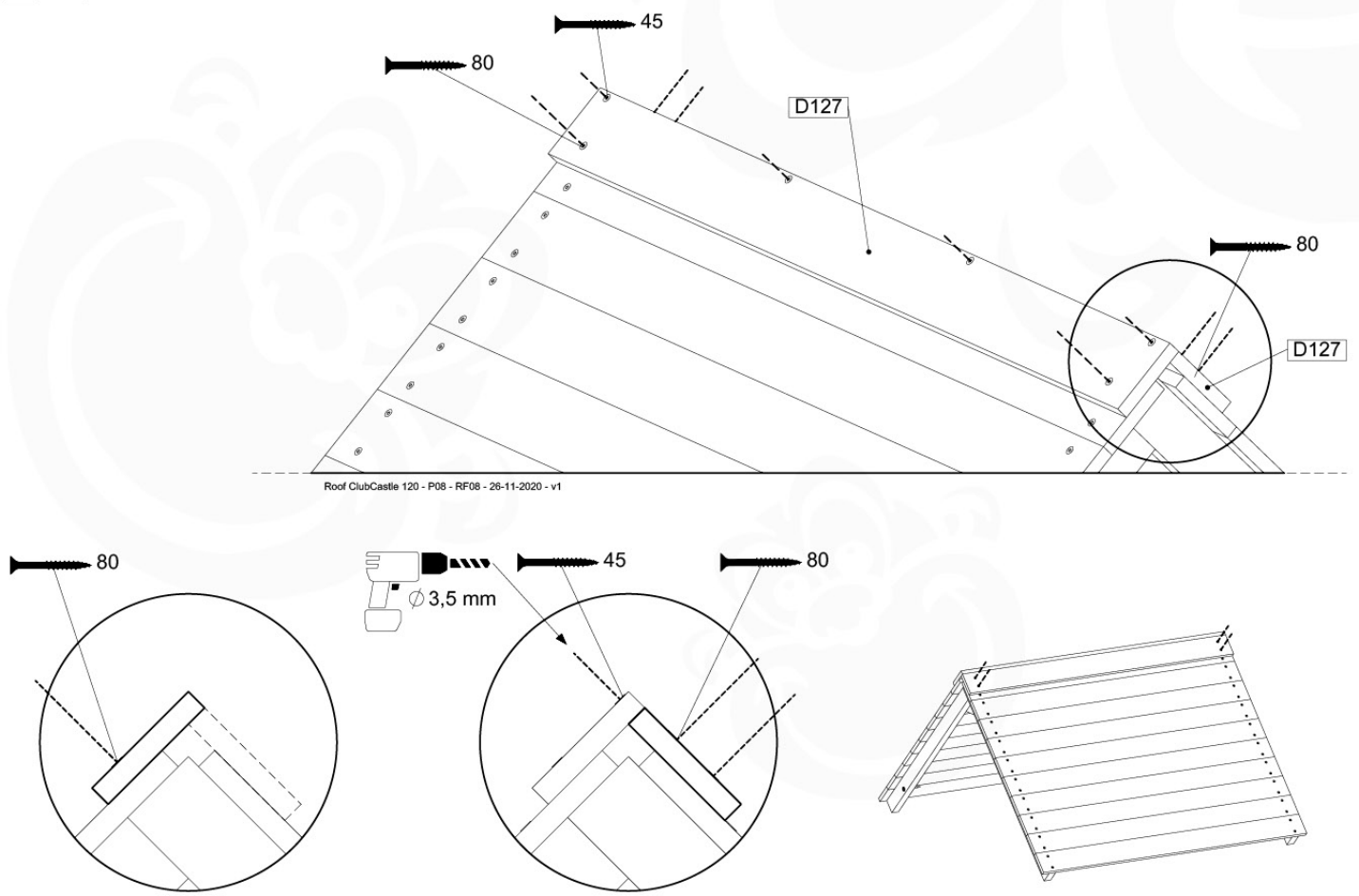
12-2



12-3



12-4

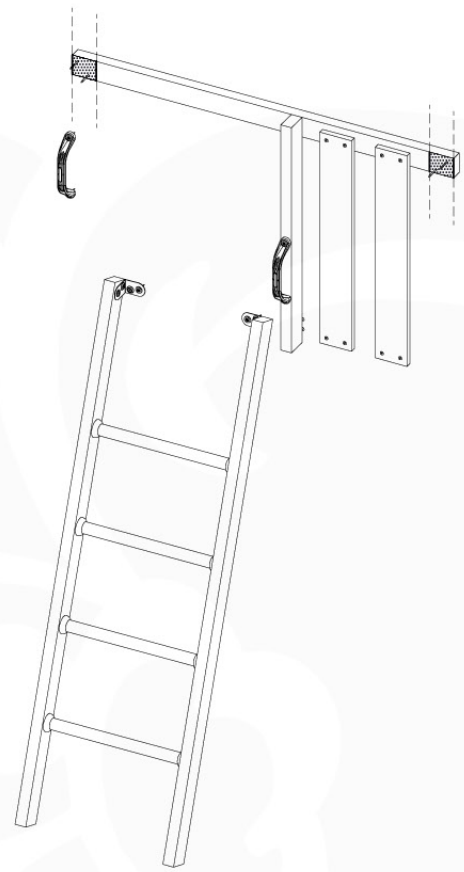


13 Ladder

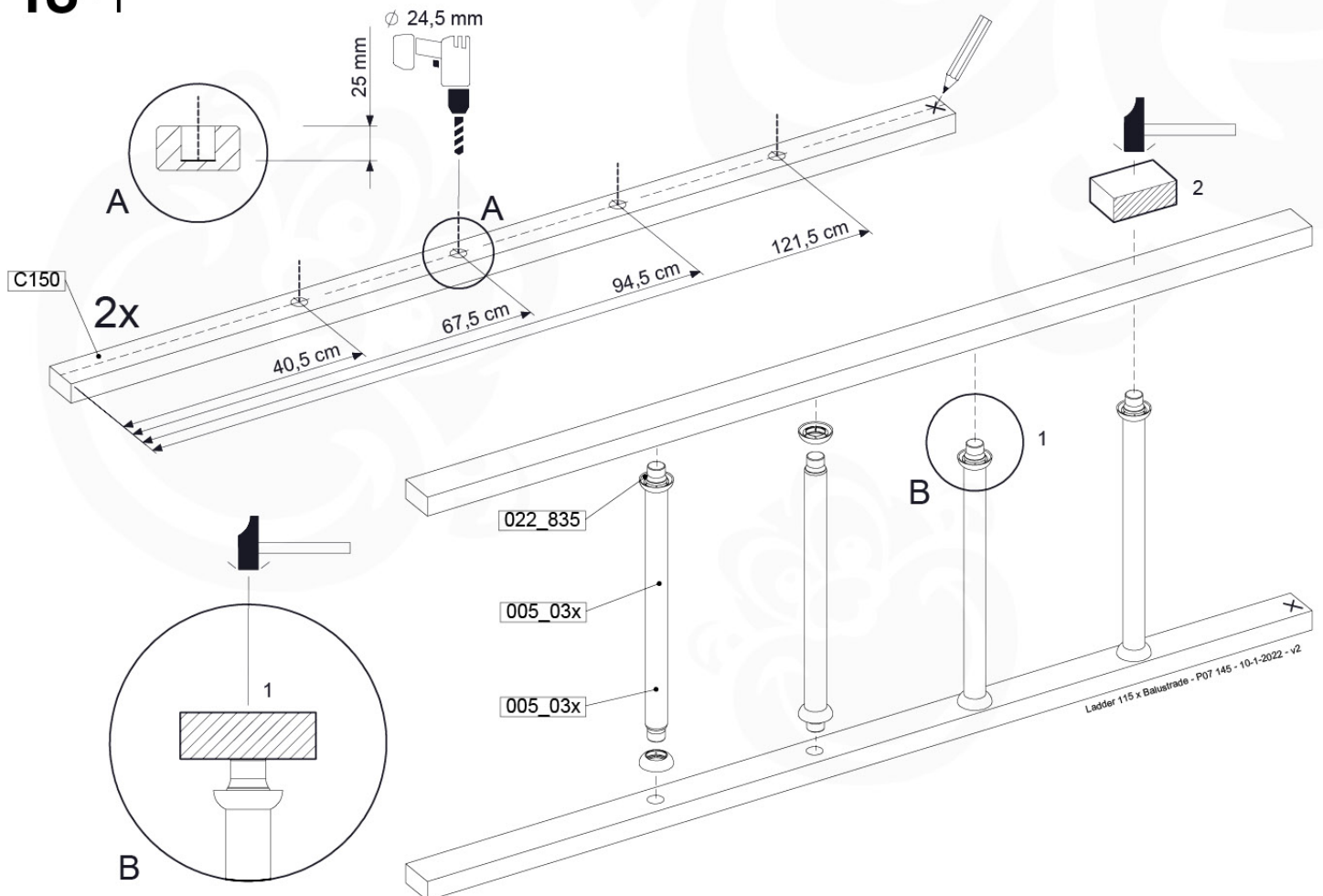
LA15

	PartNo	PartName	QTY.
Hardware Pack	001_404	Stealth Screw 8x30	4
	002_219	Gap Point Screw T25 - 5x30	4
	002_220	Gap Point Screw T25 - 5x45	16
	002_223	Gap Point Screw T25 - 5x80	8
Other	005_03x	Ladder Rung Y/B/G/R	4
	005_522	Connection Bracket Mini Market	2
	022_835	Rung Cap	8
	120_102	Handgrip set (complete 2x)	1
Timber	C114	Beam 1140 mm	1
	C150	Beam 1500 mm	2
	C70	Beam 700 mm	1
	D65	Board 650 mm	2

Ladder 115 x Balustrade - P22 UL 145 - 10-1-2022 - v2

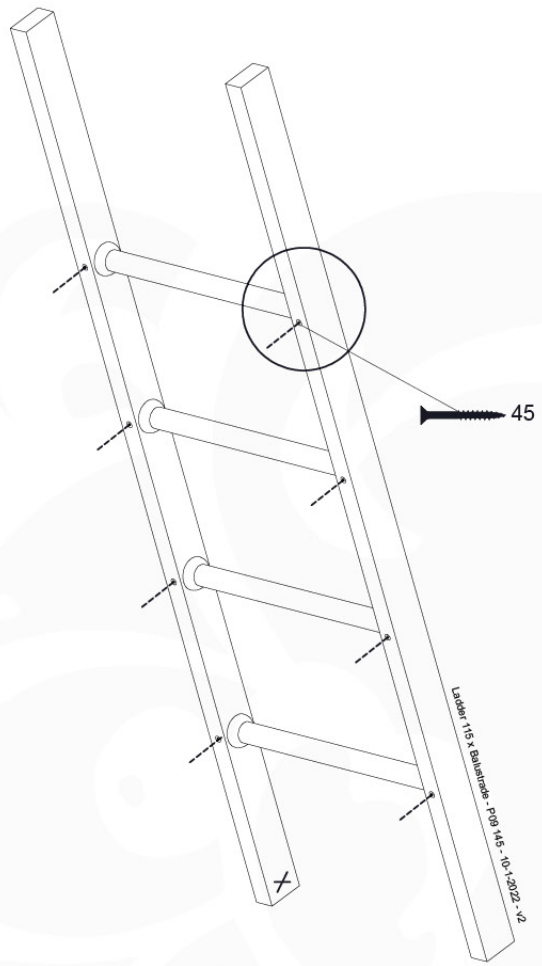
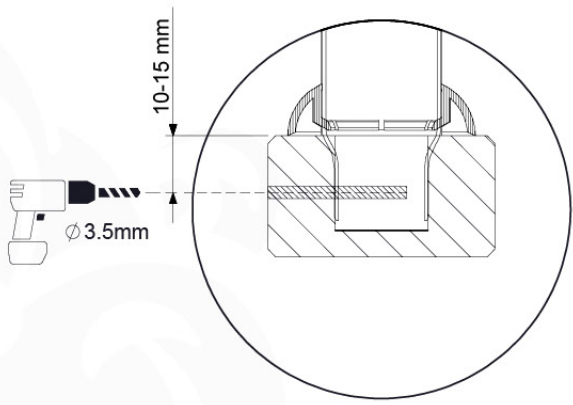


13-1



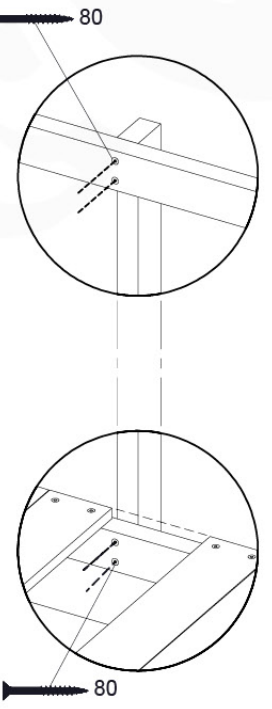
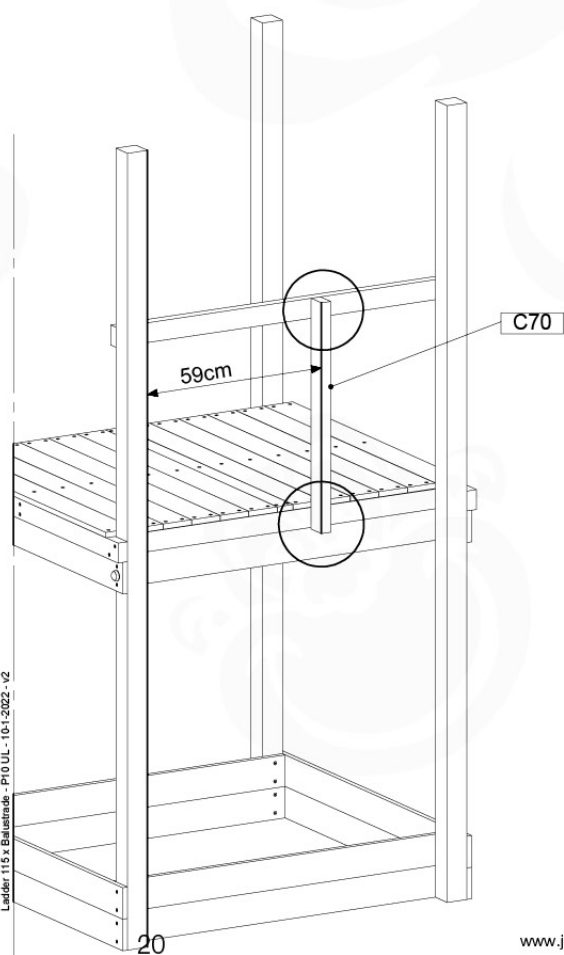
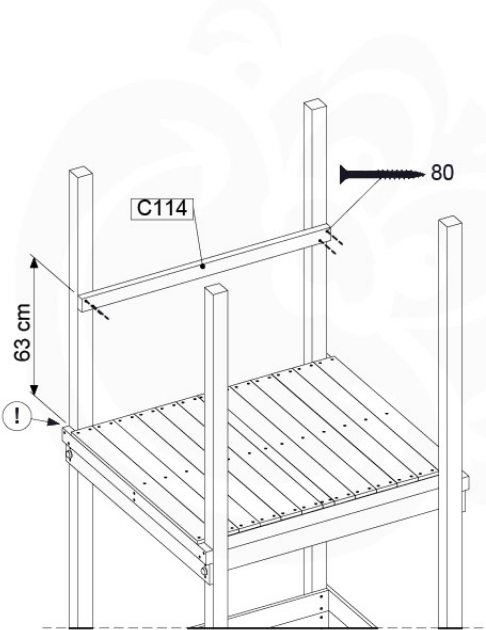
Ladder 115 x Balustrade - P07 145 - 10-1-2022 - v2

13-2



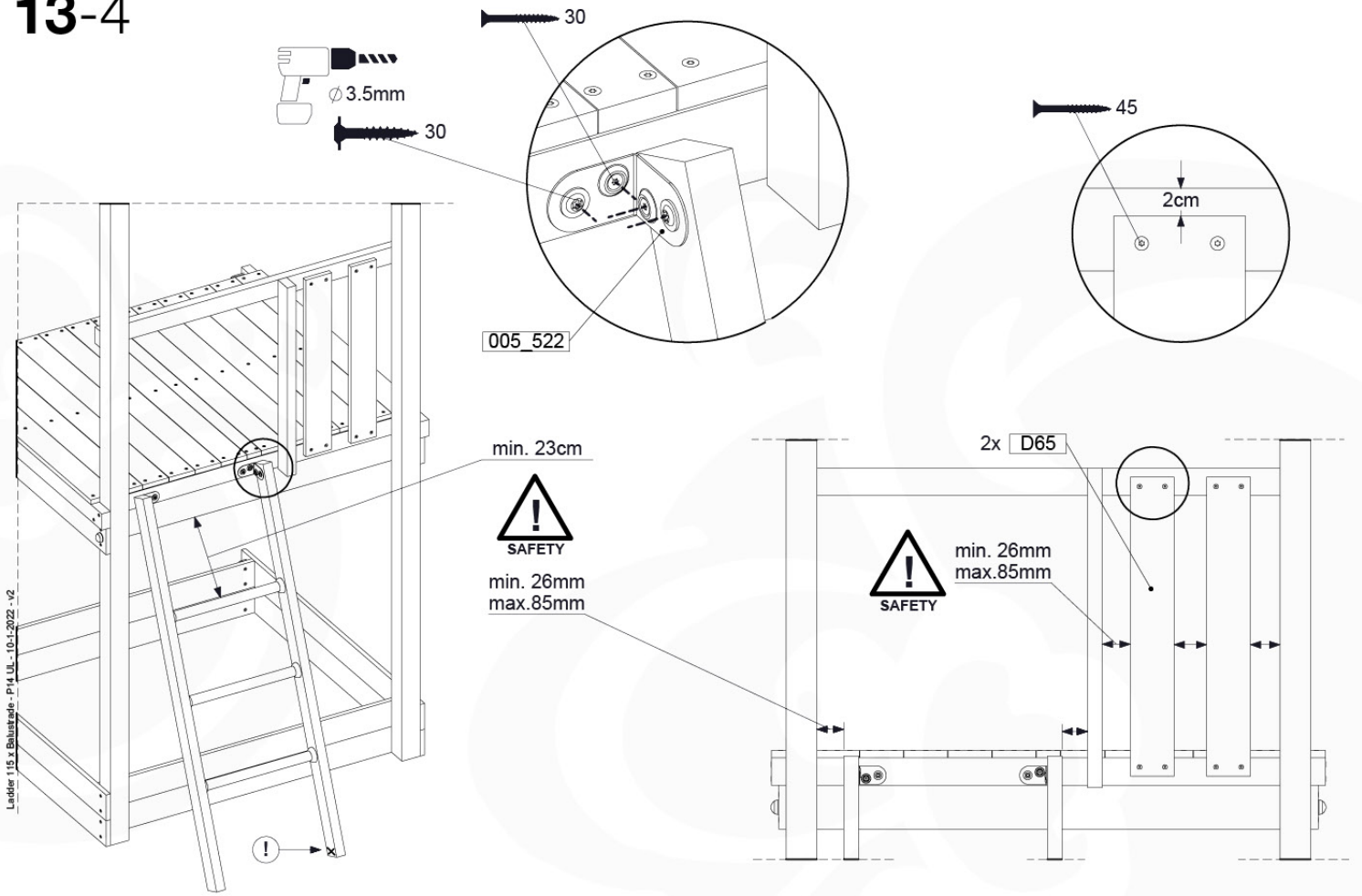
© 2022 Jungle Gym B.V.

13-3



Ladder 115 x Balustrade - P10 UL - 10-1-2022 - v2

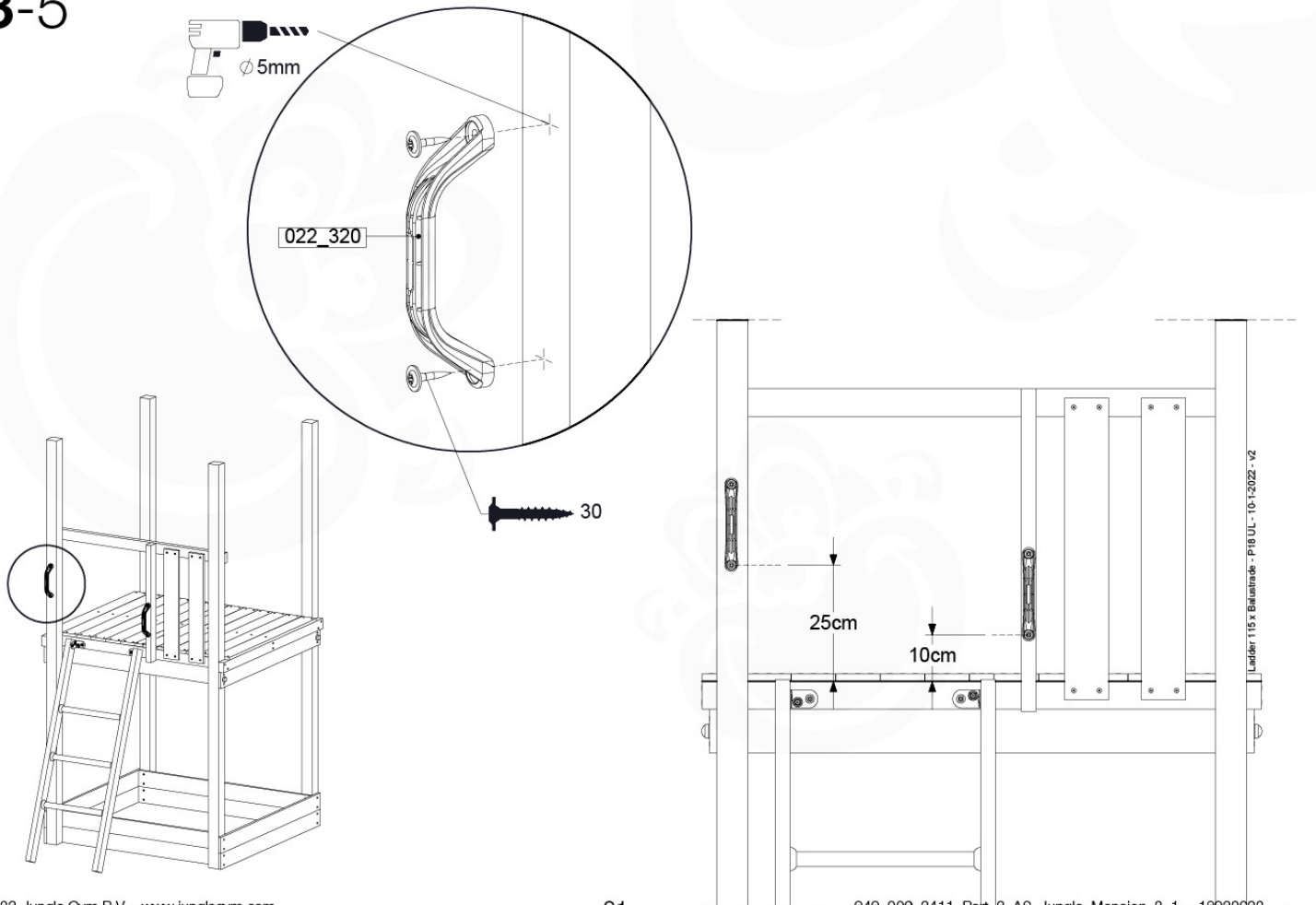
13-4



Ladder 115 x Balustrade - P14 UL - 10-1-2022 - v2

© 2022 Jungle Gym B.V. - www.junglegym.com

13-5



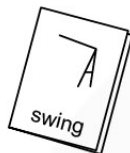
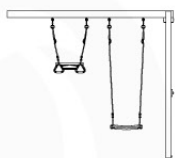
14 Swing Module / Climb Module



15



+

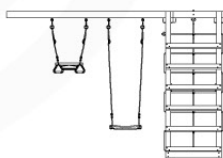


15

1-Swing Module / 2-Swing Module
457_101
457_102



+



15

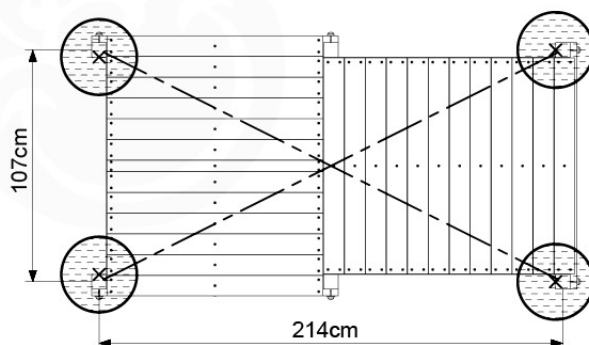
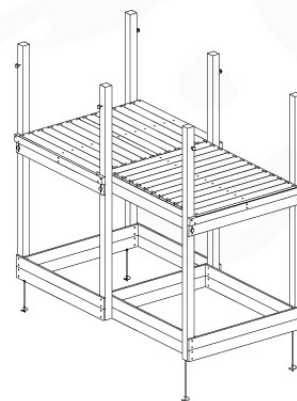
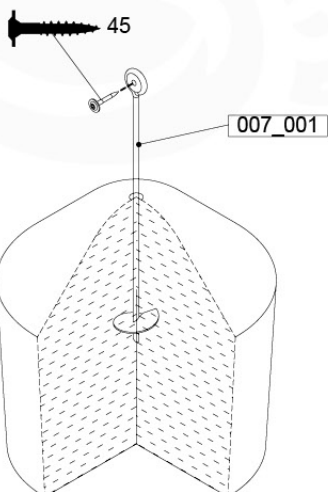
1-Climb Module / 2-Climb Module
457_105
457_106

15 Ground Anchors

GA07

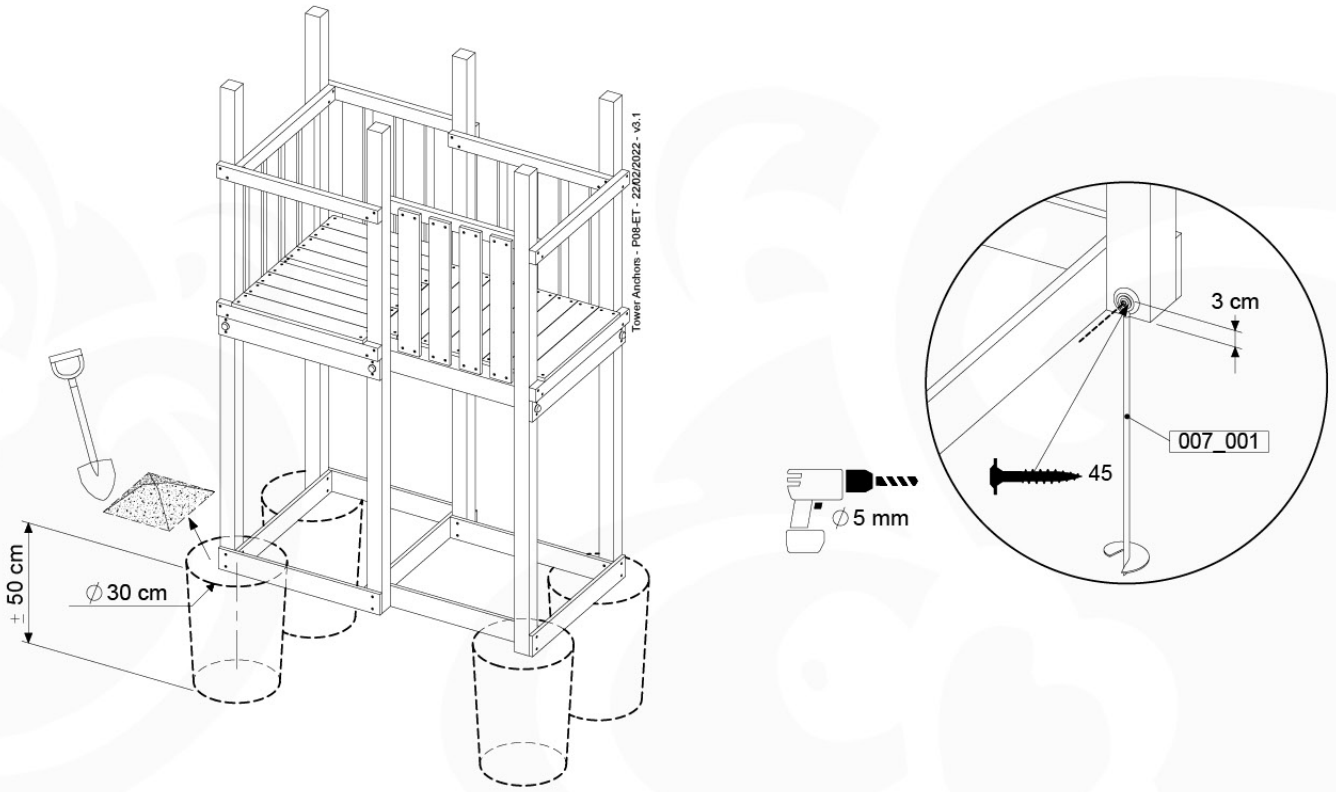
Parts:

Assembly Package Tower
194_300

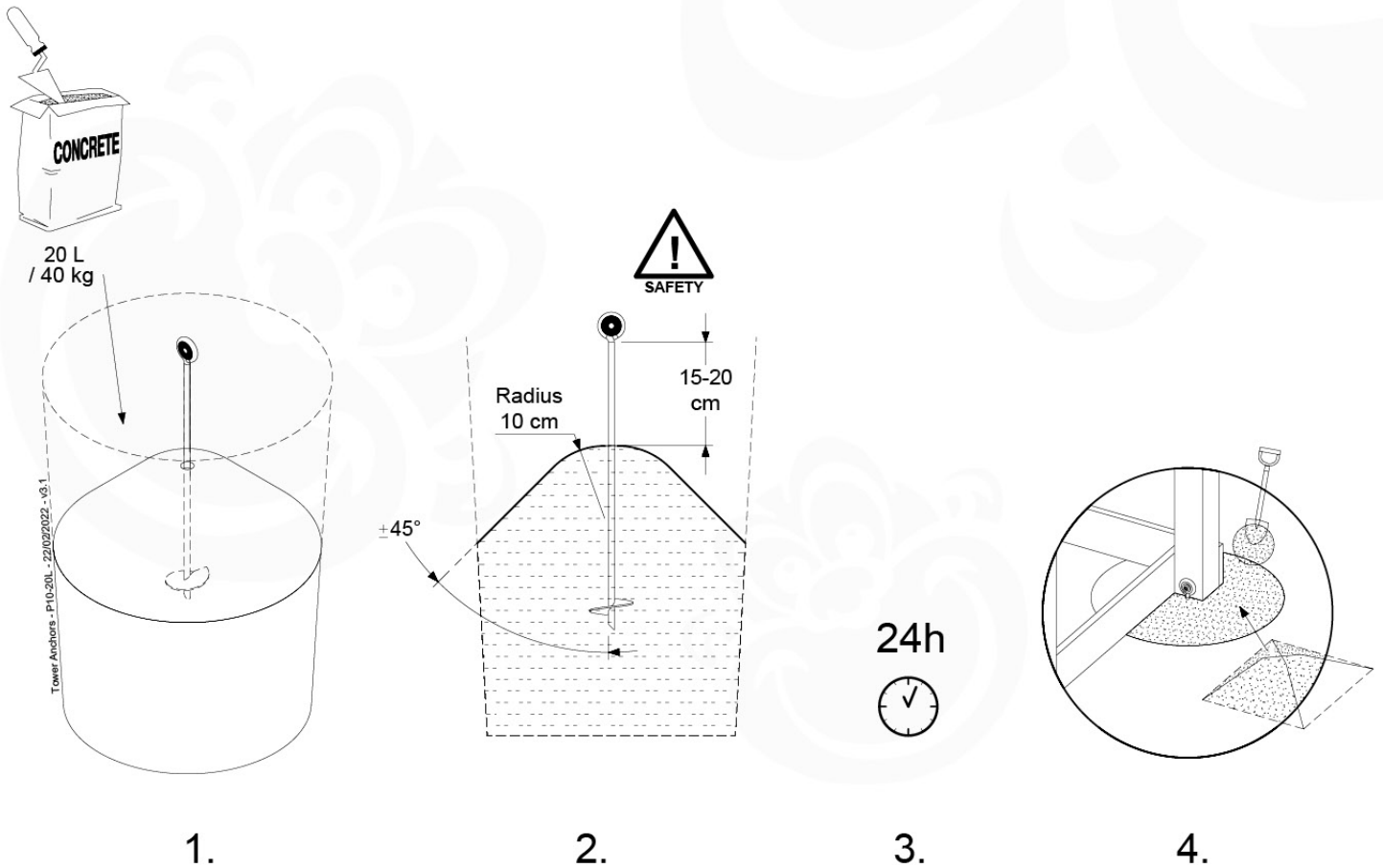


Tower Anchors - F04-GA07 - 22/02/2022 - v.3.1

15-1



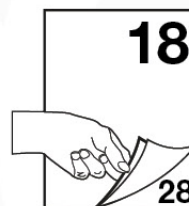
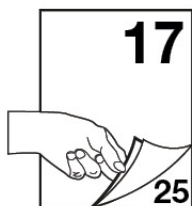
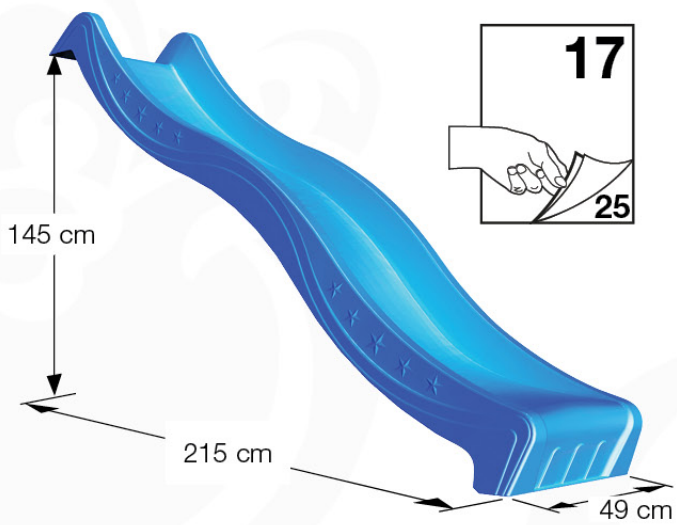
15-2



16 Add-on

Wavy Star Slide XXL

- 334_100 Yellow
- 334_200 Blue
- 334_300 Green
- 334_400 Red
- 334_500 Fuchsia
- 334_600 Dark Green



Fireman's Pole

201_275



17 Slide Set

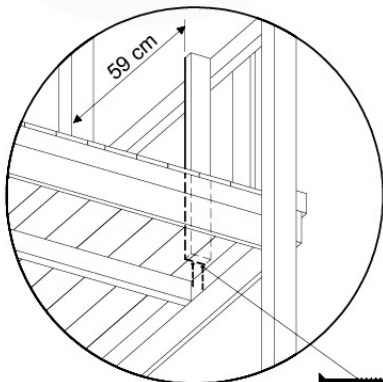
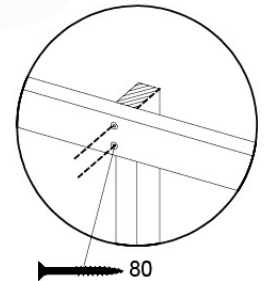
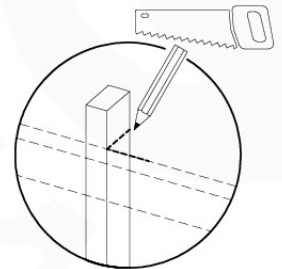
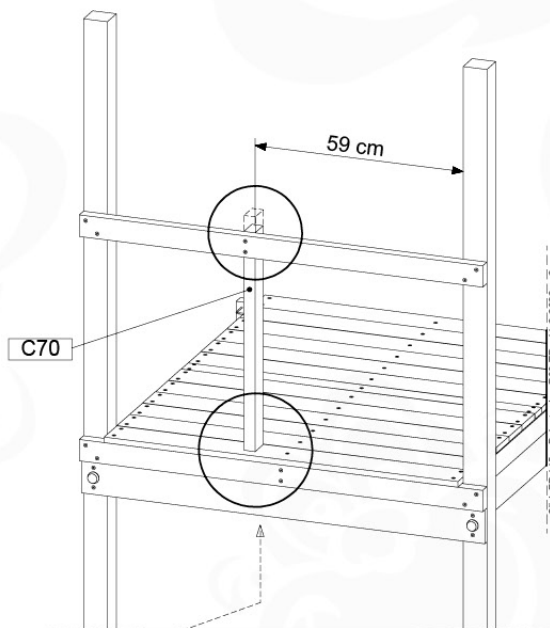
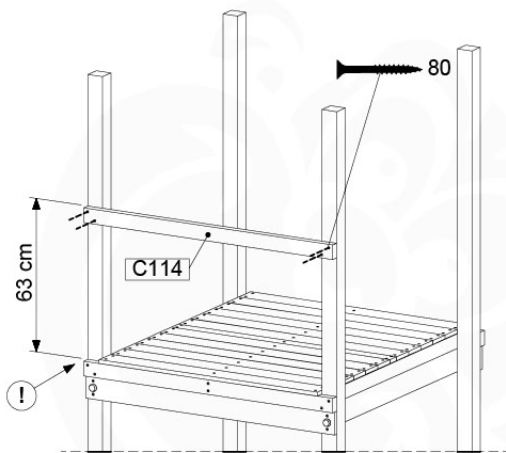
SL13

	PartNo	PartName	QTY.
Hardware Pack	000_101	Nail Pan Head	10
	002_220	Gap Point Screw T25 - 5x45	8
	002_223	Gap Point Screw T25 - 5x80	8
	002_308	Gap Point Screw T25 - 5x20	2
Other	120_102	Handgrip set (complete 2x)	1
	123_200	Bumperpad	1
	324_xxx 334_xxx	Wavy Star Slide XL 2200 mm / Wavy Star Slide XXL 2650 mm	1
Timber	C114	Beam 1140 mm	1
	C70	Beam 700 mm	1
	D65	Board 650 mm	2

SlideFP 115 x Balustrade - P05 TR - 11-2-2022 - v2

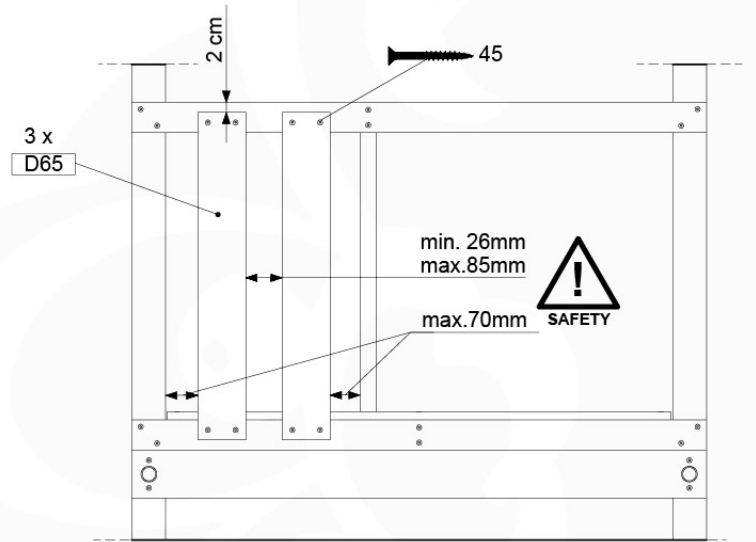
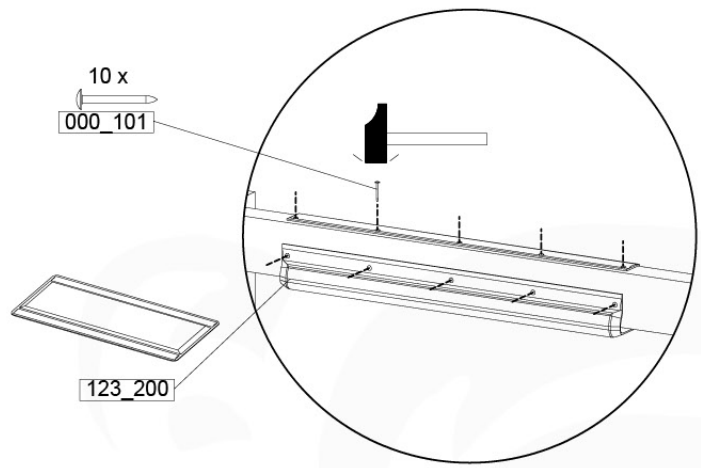
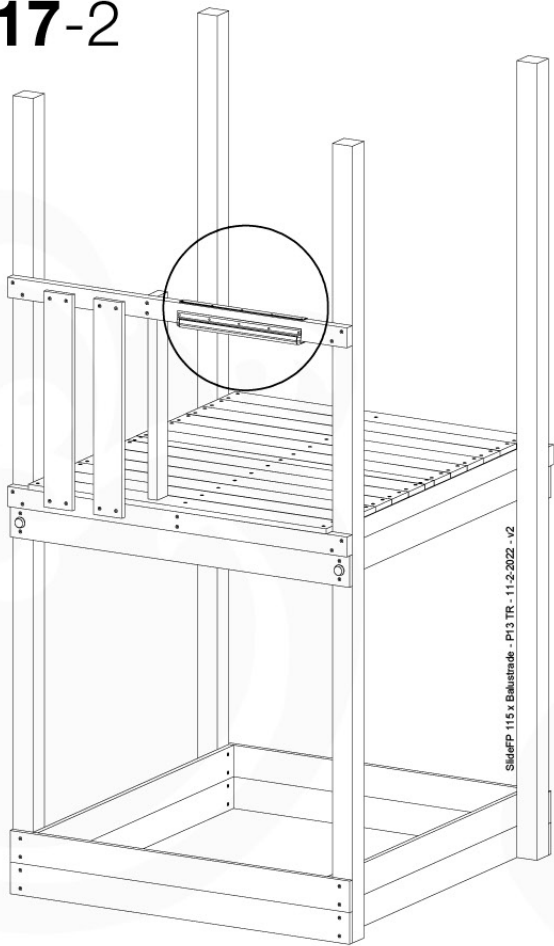


17-1

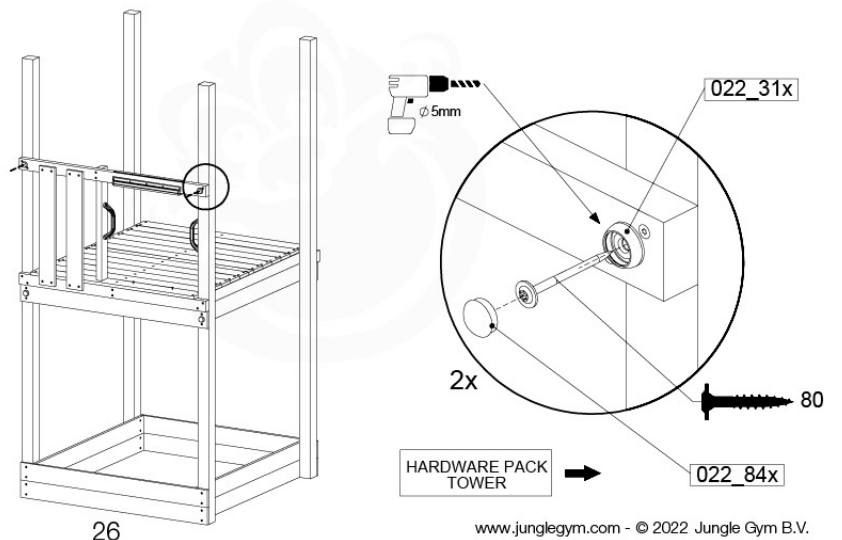
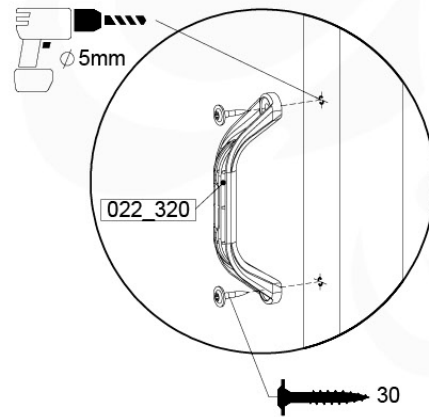
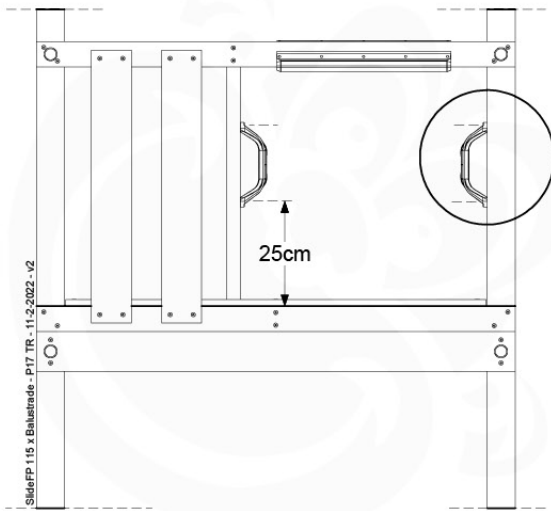


SlideFP 115 x Balustrade - P05 TR - 11-2-2022 - v2

17-2

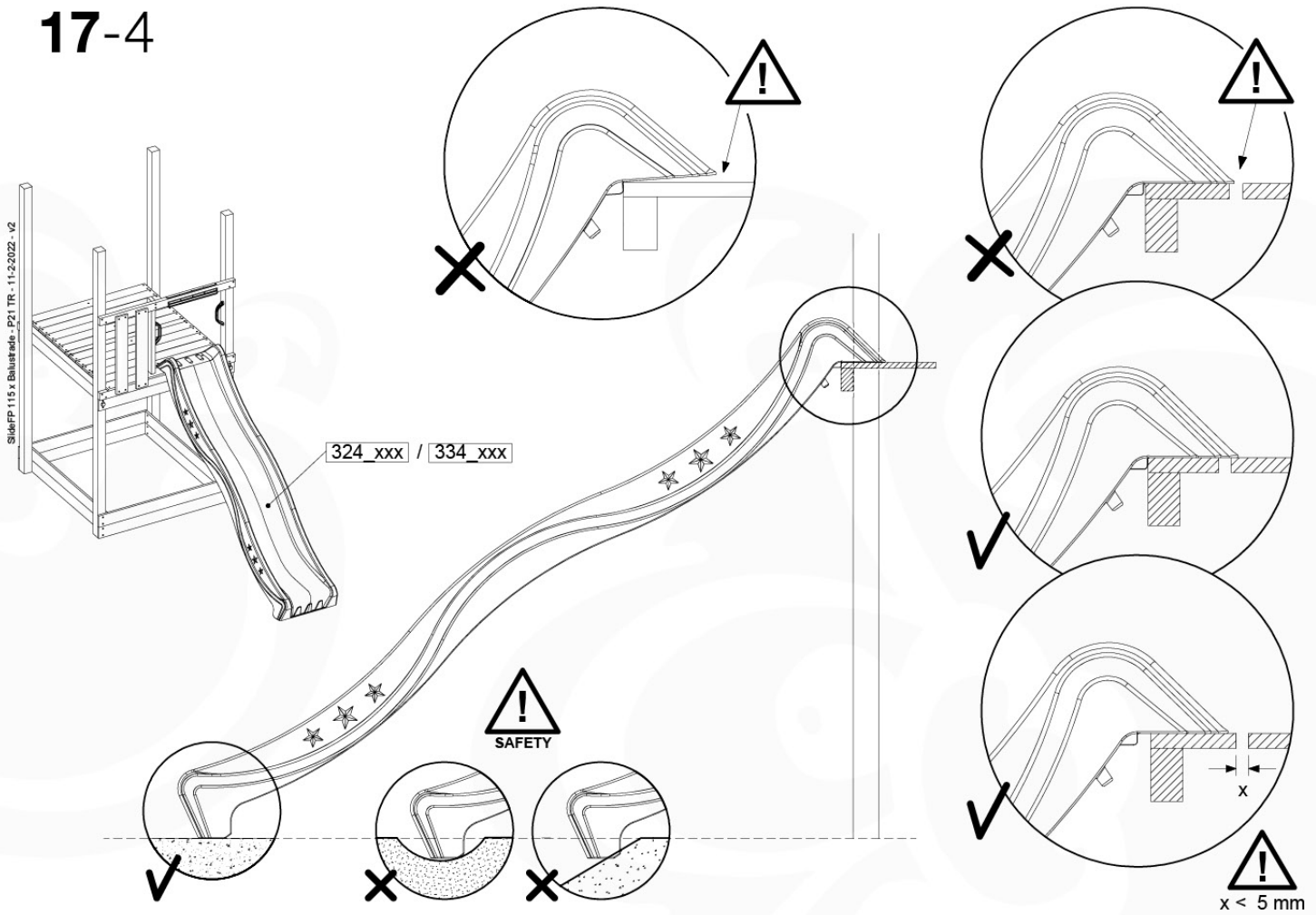


17-3



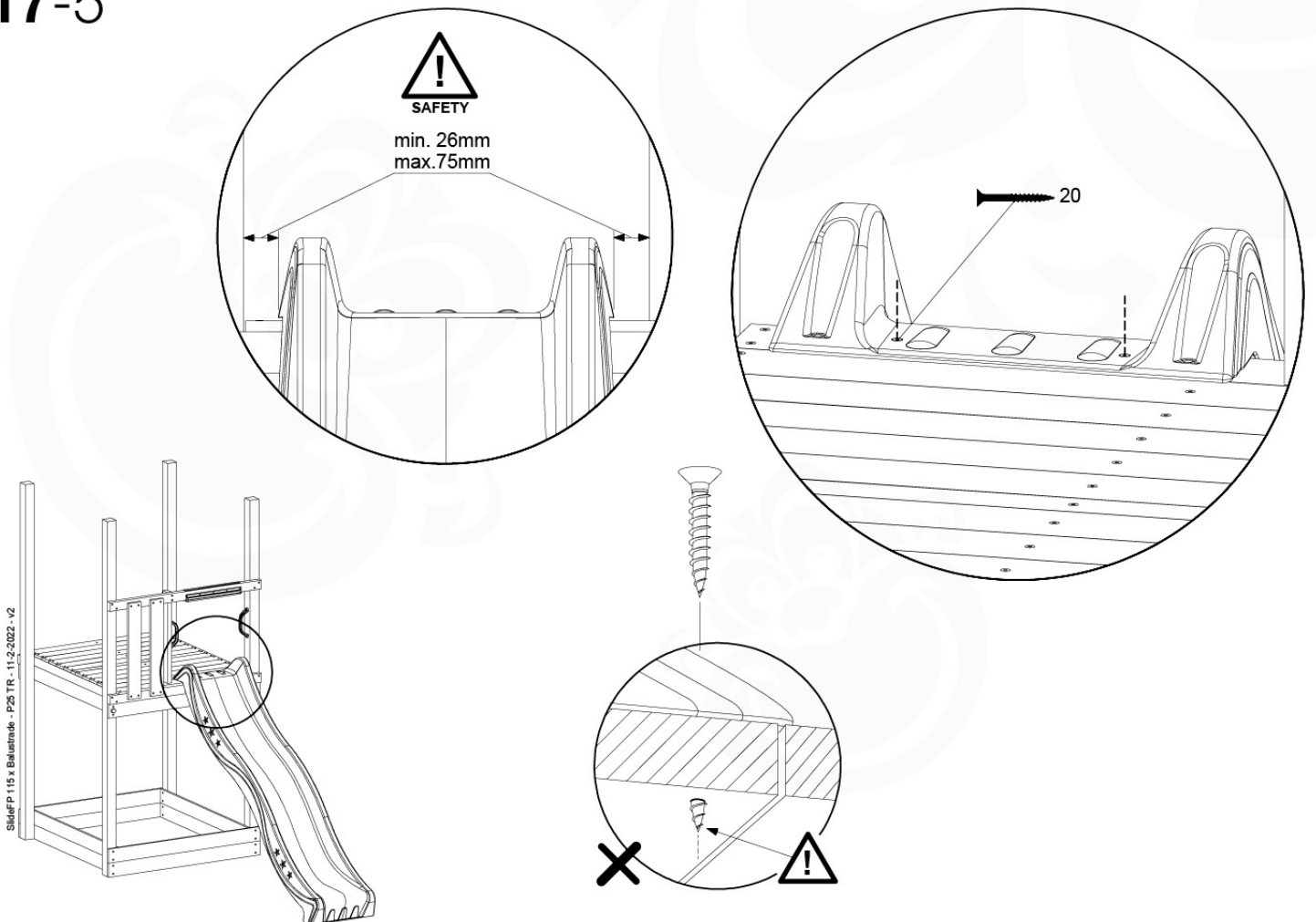
17-4

SlideFP 115 x Balustrade - P21 TR - 11.2.2022 - v2

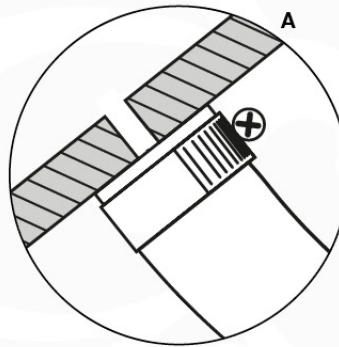
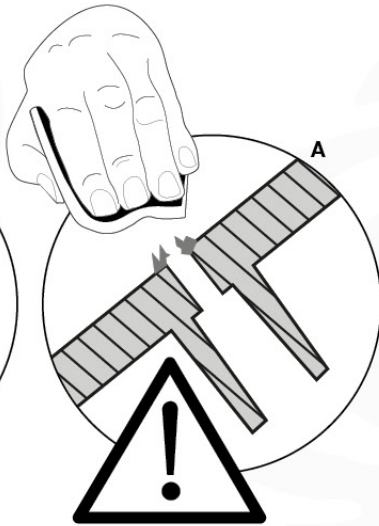
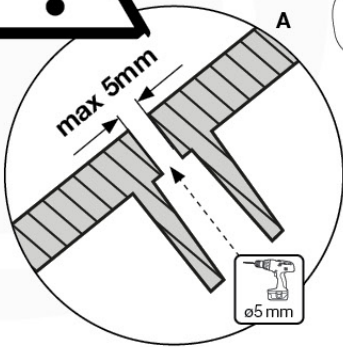
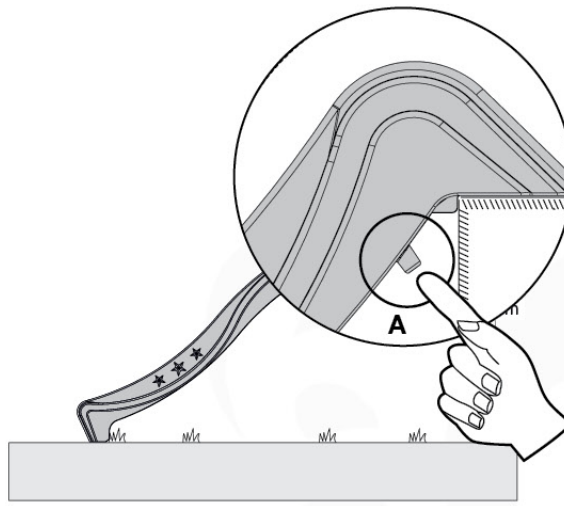


17-5

SlideFP 115 x Balustrade - P25 TR - 11.2.2022 - v2

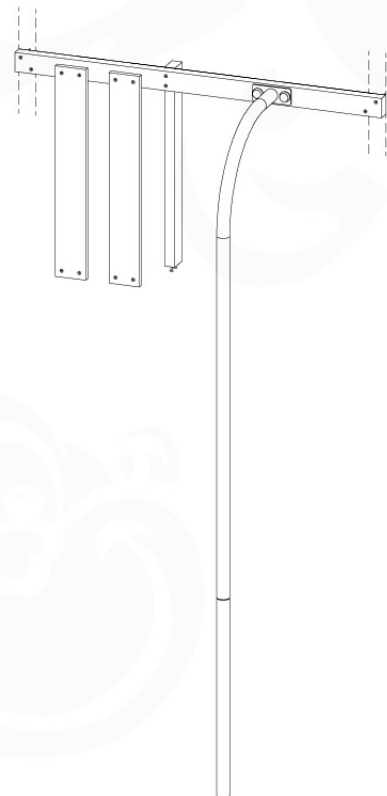


17-6



18 Firemans Pole

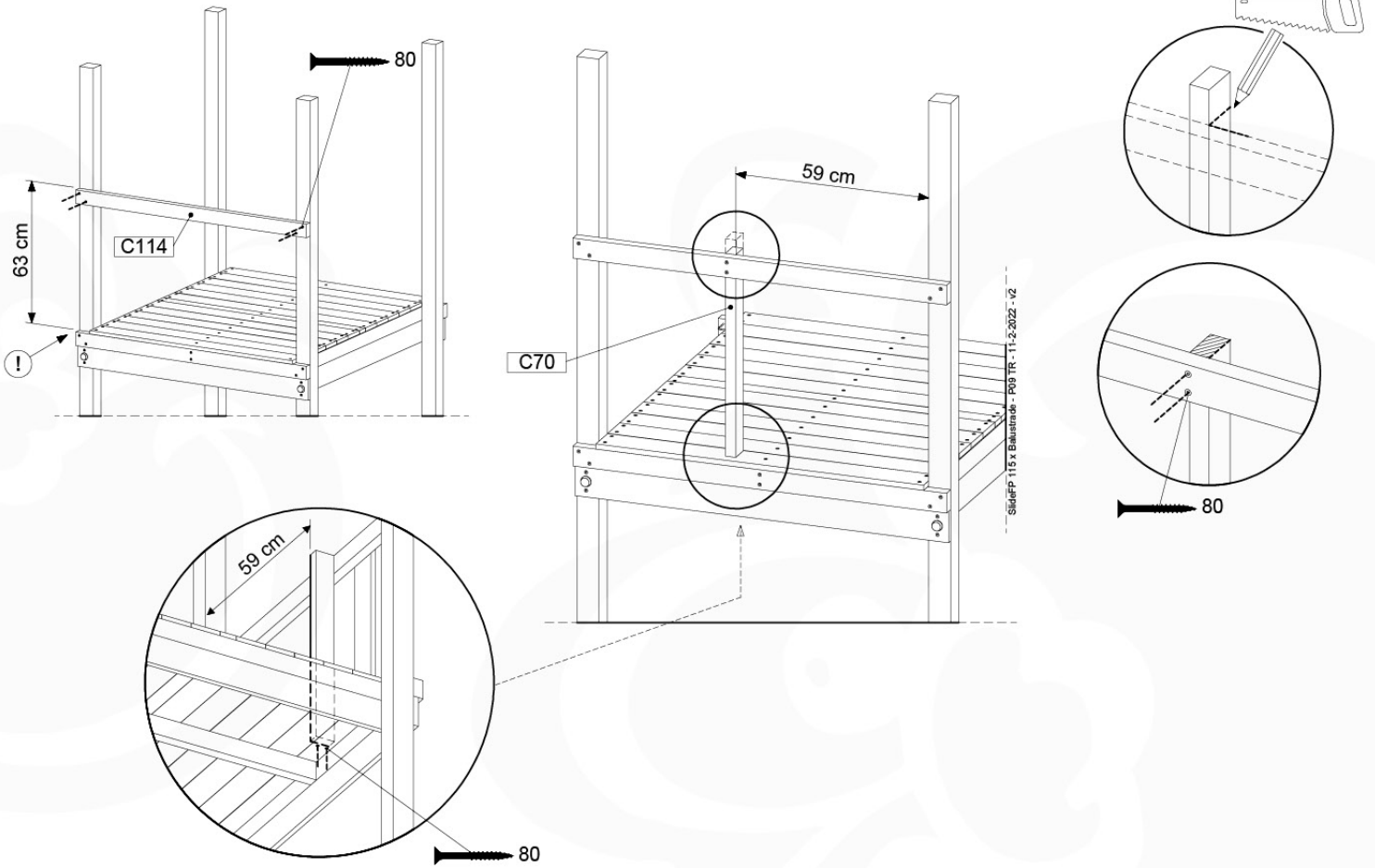
FP11



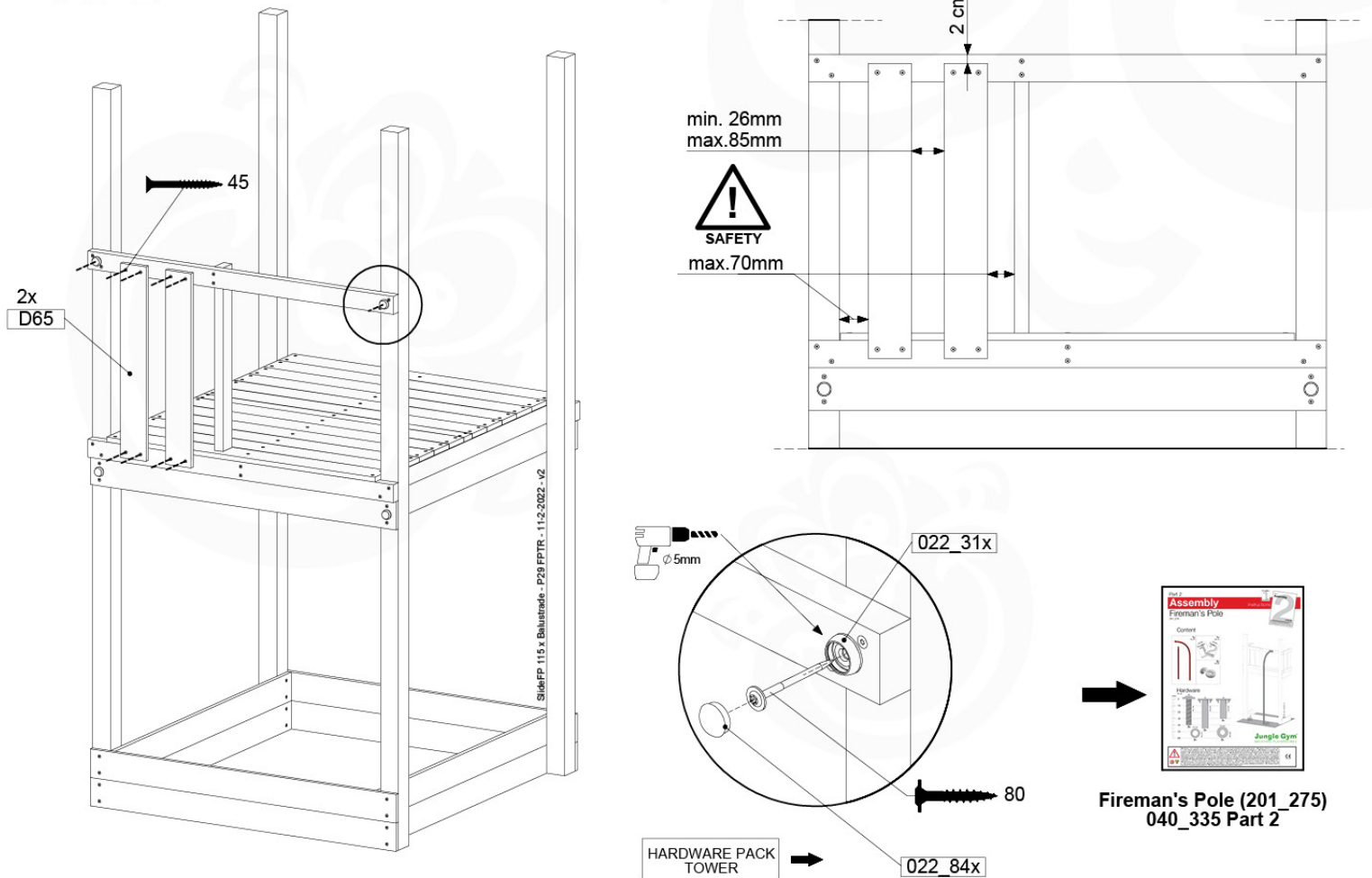
	PartNo	PartName	QTY.
Hardware Pack(s)	001_103	M8 Washer Head Screw 40mm	2
	002_220	Gap Point Screw T25 - 5x45	8
	002_223	Gap Point Screw T25 - 5x80	8
	003_010	M8 spring lock washer	2
	003_040	M8 Washer	2
	004_052	M8 Drive-in Nut 30mm	2
	004_054	M8 Drive-in Nut 45mm	2
	022_31x	bpc-base version 3	2
	022_84x	bpc cover	2
Other	102_915	Fireman's Pole	1
Timber	C70	Beam 700 mm	1
	C114	Beam 1140 mm	1
	D65	Board 650 mm	2

SlideFP 115 x Beelintide - P33 FPTR - 11-2-2022 - v2

18-1



18-2



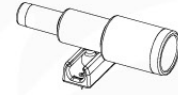
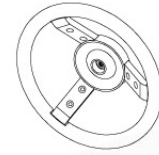
19 Accessories

AC01

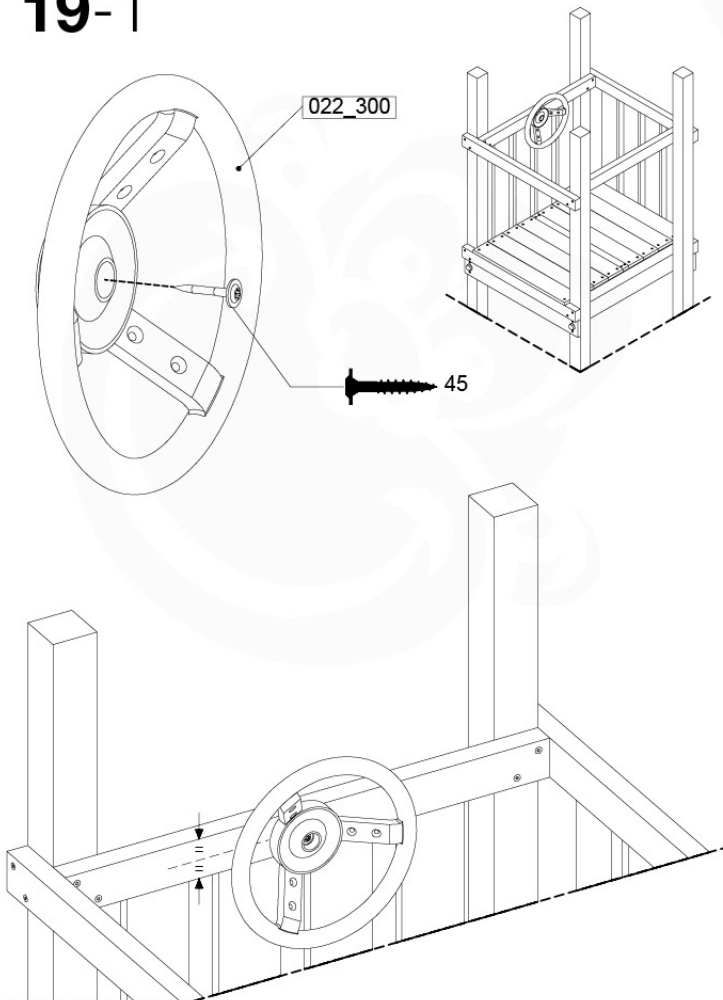
(194_119)

	PartNo	PartName	QTY.
Hardware Pack 100_617	001_406	Stealth Screw 8x45	1
	002_041	Dome head screw 4.5 x 20 mm	3
	002_042	Dome head screw 3.5 x 13mm	4
	002_219	Gap Point Screw T25 - 5x30	2
Other	022_300	Steering Wheel	1
	022_800	Rail P/T 105	1
	022_910	Sandpad	1
	103_901	Logo ID Plate	1
	104_107	Tool Set Climbing Units	1
	120_024	Tower Flag	1
	122_302	Telescope	1

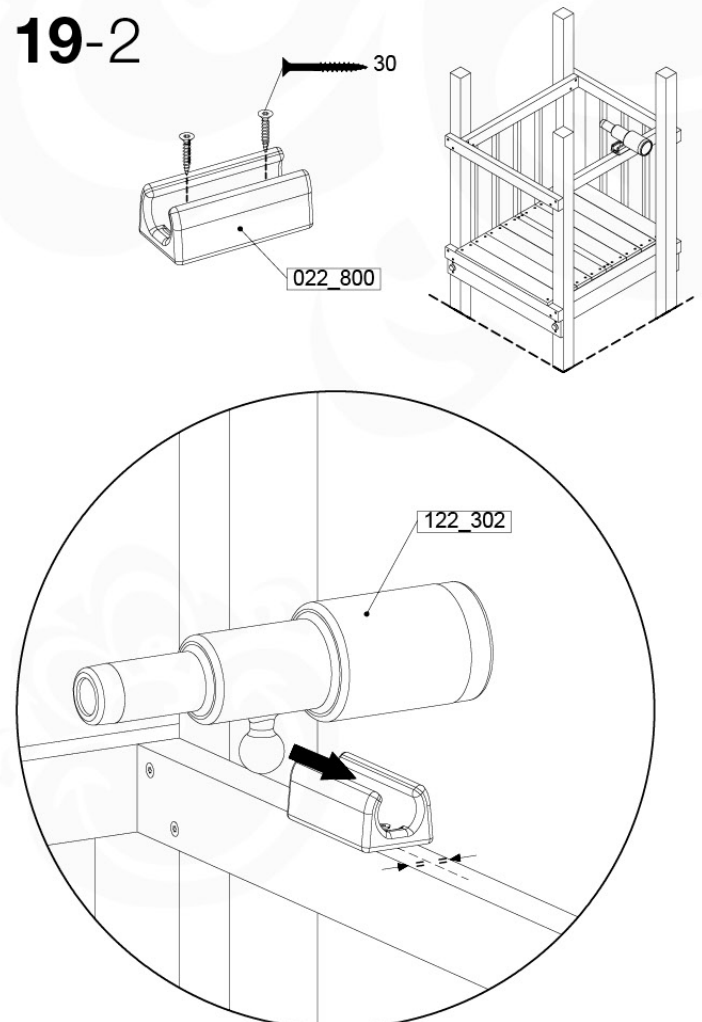
Accessory set - P02 - 29-9-2021 - 14



19-1

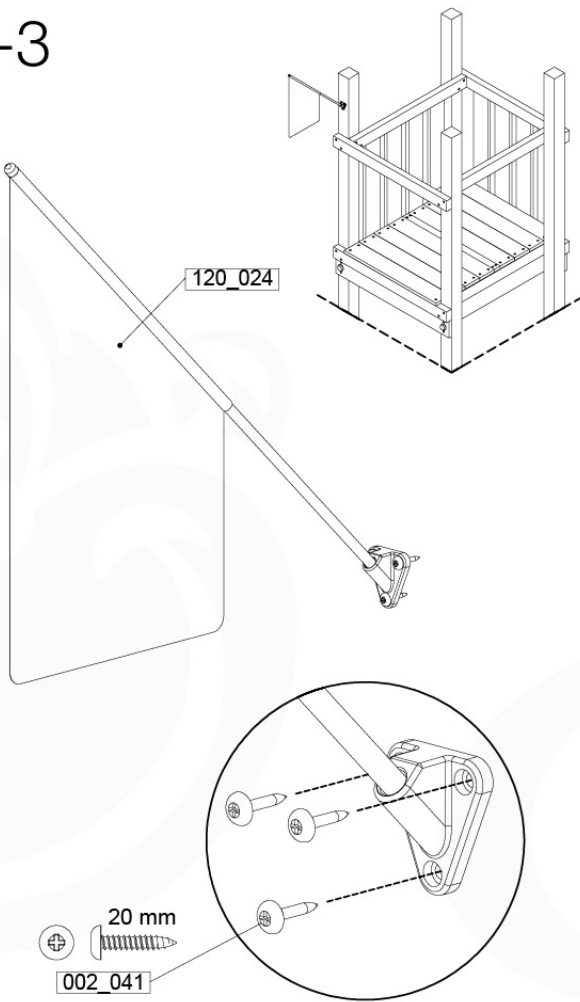


19-2

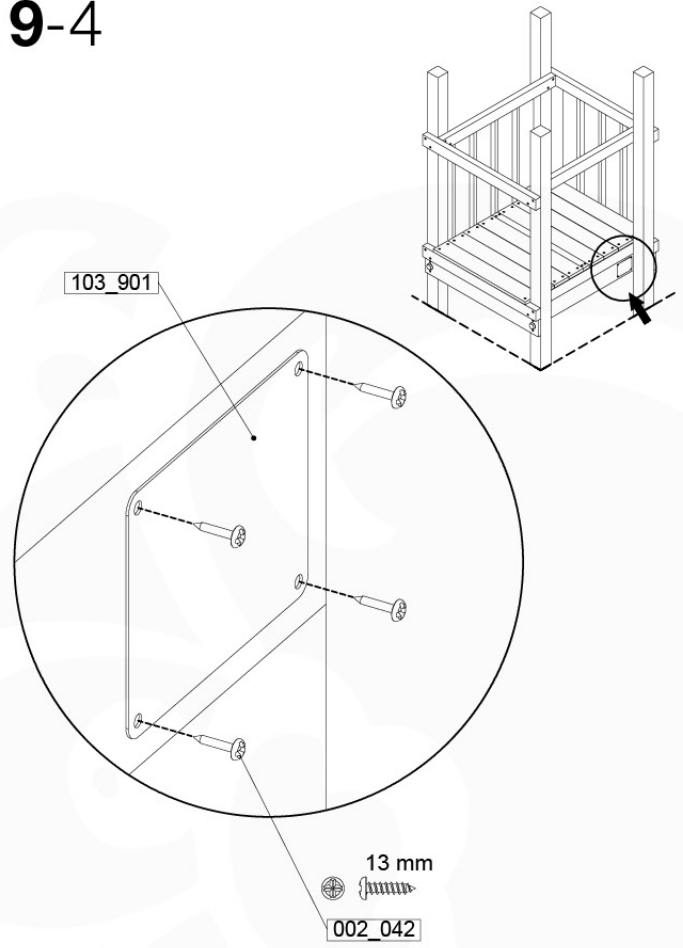


Accessory set - P03 - 29-9-2021 - 14

19-3

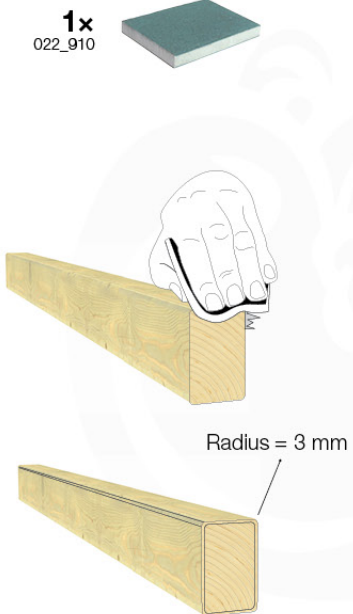


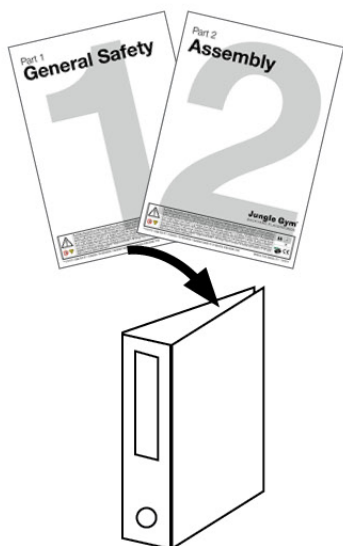
19-4



Accessoire set - P04 - 26-9-2021 - v4

19-5





Declaration of Conformity

Jungle Gym

BACKYARD PLAYGROUNDS

since 1988

Manufacturer details

Company Name

Jungle Gym B.V.

Tag-line

Backyard Playgrounds

Address

P.O. Box 75083, 1070 AB Amsterdam, Netherlands

Activity toys for domestic use

Product Range Identification

Sub-Assembly

Universal Packs / Base Towers / Extension Towers / Roofs / Means of Exit/Access / Add-ons : 790_001 ... 794_911

Assembly

Playtowers : 801_005 ... 200	Links : 870_100 ... 105	Accessories : 123_220 ... 250_075
Playhouses : 830_150 ... 253, 835_251 ... 253	Swings : 801_300, _600, _601	Slides (XL) : 324_100 ... 600
Modules : 850_180 ... 415		Slides (XXL) : 334_100 ... 600
: 857_103, 857_108	Playtowers : 802_202 ... 208	
857_151, 857_158	803_202 ... 210	
	809_202 ... 804	

Applicable EC directives and standards

Chemical References

1. Migration of certain elements (17x + Chr VI + tin) as required in TSD 2009/48/EC and its amendments. Scrape off toy material. Tested according to EN 71-3:2019.
2. Migration of solvents, monomers and plasticizers as specified in "Safety for Toys: Organic Chemical Compounds", EN 71-9: 2005 + A1: 2007. Tested according to EN 71-10: 2005 & EN 71-11: 2005.
3. Content of N-nitrosamines and N-nitrosatable substances as specified in EN standard 71-12: 2013. Tested according to EN 71-12: 2013.
4. Content of 18 PAHs (Polycyclic Aromatic Hydrocarbons) as referred in AfPS GS 2014:01 PAK (Replaced on 2019:01). Tested according to QMA 2011.1284
5. Content of 7 Phthalates (18x) according to REACH (EG) no.1907/2006, Annex XVII. Tested according to COC-CH-C1011-09.3 and EN 15777 / QMA 2011.1300
6. Content of Cadmium according to REACH (EG) no. 1907/2006, Annex XVII. Tested according to EN 17294-2
7. Formaldehyde according to REACH (EG) no. 1907/2006, Annex XVII. Tested according to EN 14184
8. Azo dyes according to REACH (EG) no. 1907/2006, Annex XVII. Tested according to BVL B 82.02-2.
9. Content of 3 Flame retardants according to REACH (EG) no. 1907/2006, Annex XVII. Tested according to EN 62321-6.
10. NI release according to REACH (EG) no. 1907/2006, Annex XVII. Tested according to EN 71-3:2013+A1:2014.
11. Sweat and Salvia resistance tested according to DIN 53160

Mechanical physical properties + flamability

EN 71 - 1 : 2014 + A1: 2018 EN 71 - 2 : 2011 + A1: 2014 EN 71 - 8 : 2018

Supplementary information

Conformity to the above specified directives and standards has been frequently verified and is continuously monitored by TÜV Süd, TÜV Rheinland LGA products, DEKRA (DE), STR Ltd (UK), LNE SA (FR), LMR Ltd (US) and IPS N.V. (BE) since 1994. Jungle Gym participates in the European Commission for standardisation for the safety of activity toys (TC52 / WG 10).

Declaration

I hereby declare under our sole responsibility that the products mentioned above, to which this declaration relates, complies with the above mentioned directives and standards.



Name

Mr. P. Schmit / Director
















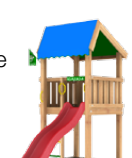











Issued date

Januari 2nd, 2023


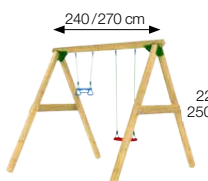
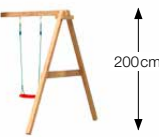








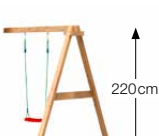



Signature of representative

Construction Packages (Assembly)

Playtowers

S Single  Jungle Tower 802_201	S Single  Jungle Patio 802_202	S Single  Jungle Cocoon 802_204	S Single  Jungle Cirque 802_206	S Single  Jungle Totem 802_208	S Duo  Jungle Nomad 803_202	S Duo  Jungle Safari 803_204
S Duo  Jungle Viking 803_206	S Duo  Jungle Teepee 803_208	S Duo  Jungle Resort 803_210	S Combo  Jungle Explorer 809_802	S Combo  Jungle Voyager 809_804	M Single  Jungle Castle 801_120	
M Single  Jungle Club 801_110	M Single  Jungle Casa 801_105	M Single  Jungle Home 801_103	M Single  Jungle Hut 801_100	M Single  Jungle House 801_095	L Single  Jungle Cottage 801_090	L Single  Jungle Cabin 801_060
L Single  Jungle Lodge 801_040	L Duo  Jungle Cubby 801_070	L Duo  Jungle Mansion 801_009	XL Single  Jungle Sierra 801_025	XL Single  Jungle Fort 801_010	XL Duo  Jungle Chalet 801_013	XL Duo  Jungle Palace 801_005

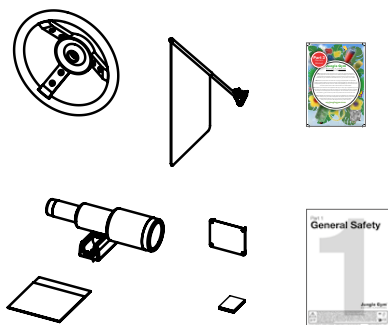
Swings

 Jungle Peak 801_300	 Jungle Swing 801_601/602	 1-Swing Module 200 857_101	 2-Swing Module 200 857_102	 1-Climb Module 200 857_105	 2-Climb Module 200 857_106
		 1-Swing Module 220 857_151	 2-Swing Module 220 857_154	 1-Climb Module 220 857_157	 2-Climb Module 220 857_158
 Bridge Module 850_240		 1-Swing Module 220 Extra 850_176	 2-Swing Module 220 Extra 850_177	 1-Climb Module 220 Extra 850_231	 2-Climb Module 220 Extra 850_232

Modules

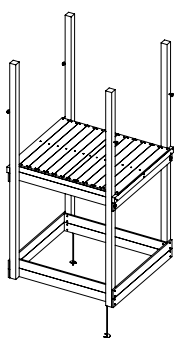
Construction Packages (Sub-Assembly)

Universal Packs (AC)



Accessory set
194_119

Base Towers (BT)

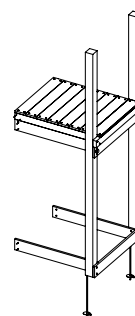


Tower 80
790_001
790_002
790_003
790_005

Tower 115
792_001
792_002
792_003

Tower 140
794_001

Extension Towers (ET)

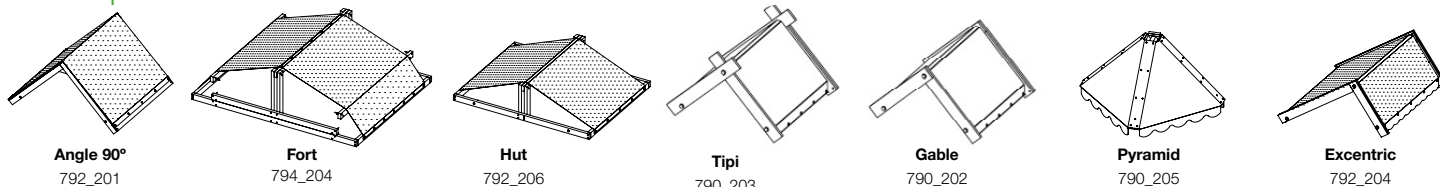


Tower 80 790_101 794_102
Tower 140 794_103 794_104 794_105 794_106

Tower 115
792_101 794_107
792_102 794_108
792_103 794_109
792_104 794_110
792_105 794_111
792_106 794_112
792_107 794_113
792_108 794_114
792_109
792_110
792_111
792_112
792_113
792_114

Roofs (RF)

Roof tarp



Angle 90°
792_201

Fort
794_204

Hut
792_206

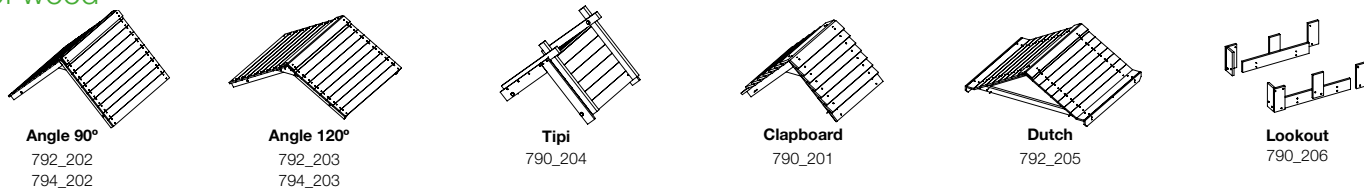
Tipi
790_203

Gable
790_202

Pyramid
790_205

Excentric
792_204

Roof wood



Angle 90°
792_202
794_202

Angle 120°
792_203
794_203

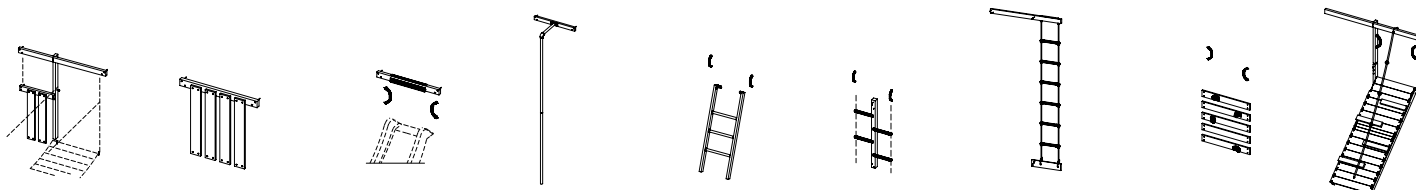
Tipi
790_204

Clapboard
790_201

Dutch
792_205

Lookout
790_206

Means of Exit/Access



Bridge Frames
BF
792_602
794_602

Balustrades
BL
790_301
792_301
794_301
794_302

Slides
SL
790_901
792_901
792_902
792_903
792_903
794_901

Firemans Poles
FP
790_903
792_911
792_912
792_913
794_911

Ladder
LA
790_433
790_434
792_431
792_432
794_431
794_432

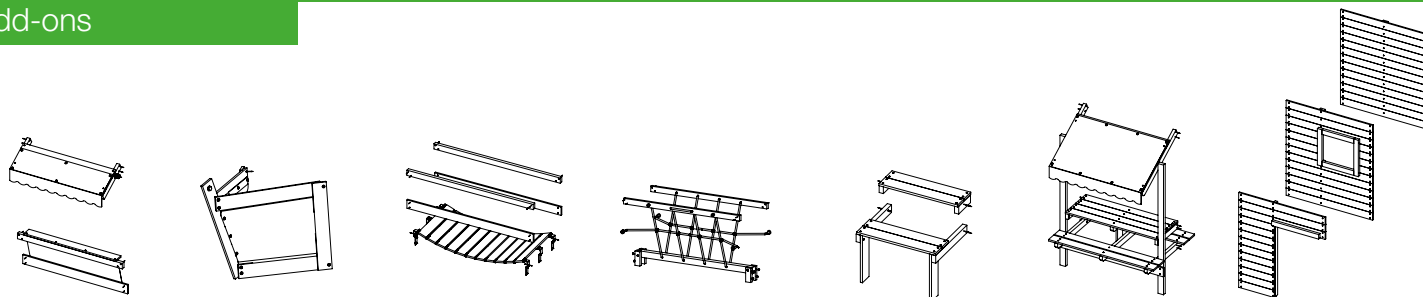
Two Step Ladder
TS
790_413
790_414
792_411
792_412
794_411
794_412
794_413
794_414

Rope ladder
RL
790_421
792_421
792_422
794_421

Rock wall
RW
790_403
790_404
792_401
792_402
794_401
794_402

Ramp
RA
790_441
792_441
794_441

Add-ons



Market
MT
790_502
792_502
794_502

Boat front
BO
790_501

Clatter bridge 80
CB
790_601

Net bridge 80
NB
790_611

Picnic 80
PC
790_503

Picnic 115/140
PC
792_503
794_503

Playhouse panels
PH
790_311 794_311
792_313 794_312
792_311 794_313
792_312 794_314
792_313
792_314

Construction Packages (accessorie-assembly)

Imagination



Steering Wheel Yellow
201_280



Fun Phone
201_285



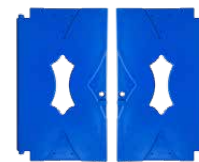
StarOscope™
201_290



Steering Wheel Boat
202_473



PeekOscope™
201_295

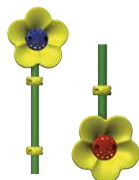


Shutters 2x blue
250_075



Tic Tac Toe
450_310

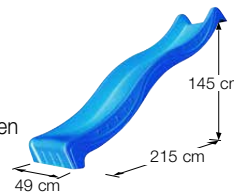
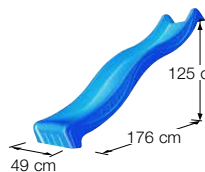
Bucket
450_320



Talking Tube™
450_330

Wavy Star Slide XL

- 324_100 Yellow
- 324_200 Blue
- 324_300 Green
- 324_400 Red
- 324_500 Fuchsia
- 324_600 Dark Green



Wavy Star Slide XXL

- 334_100 Yellow
- 334_200 Blue
- 334_300 Green
- 334_400 Red
- 334_500 Fuchsia
- 334_600 Dark Green

Swinging



Sling Swing Kit Yellow
250_001



Monkey Bar Kit Blue
250_013



Baby Swing Kit Red
250_025



Swing Seat Kit Red
250_034



Twist Disk Kit Green
250_053

Climbing



AP Two Step Ladder 80
194_102



AP Step Ladder 80_125
194_103



AP Step Ladder 80_145
194_104



AP Rock-Wall 80_125
194_105



AP Rope Ladder
194_115



AP Clatter Bridge
194_116



Climbing Rope
201_060



Fireman's Pole
201_275



Gymnastics bar
201_273

Functional



Canvas blue/green
123_220 ±136x 74cm
123_222 ±185x120cm



Mesh green
123_230



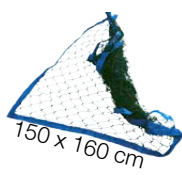
Swing Hook Screw 2x
201_115



Bolt Caps 10x / 40x
White □ 202_620 202_629
Yellow ■ 202_621 202_625
Blue ■ 202_622 202_626
Green ■ 202_623 202_627
Red ■ 202_624 202_628



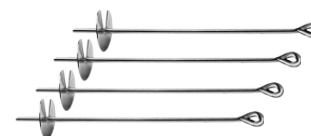
Bumper Pad (2pcs)
202_824



Cat Stop™
201_220



Handgrips
■ 201_250 Yellow
■ 201_260 Blue
■ 201_270 Green



Ground Anchors
250_070